



Heat

Dry

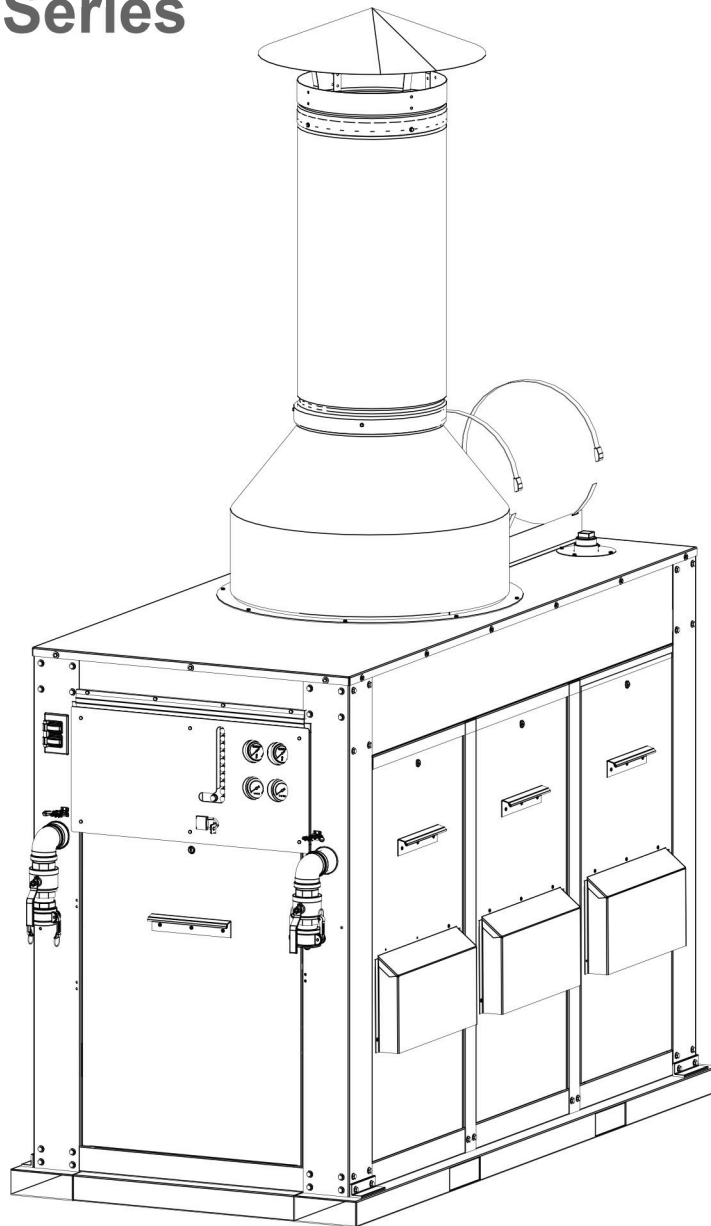
Thaw

Cure

# PARTS CATALOGUE

## Central Heating Unit

### 2000-1200 Series

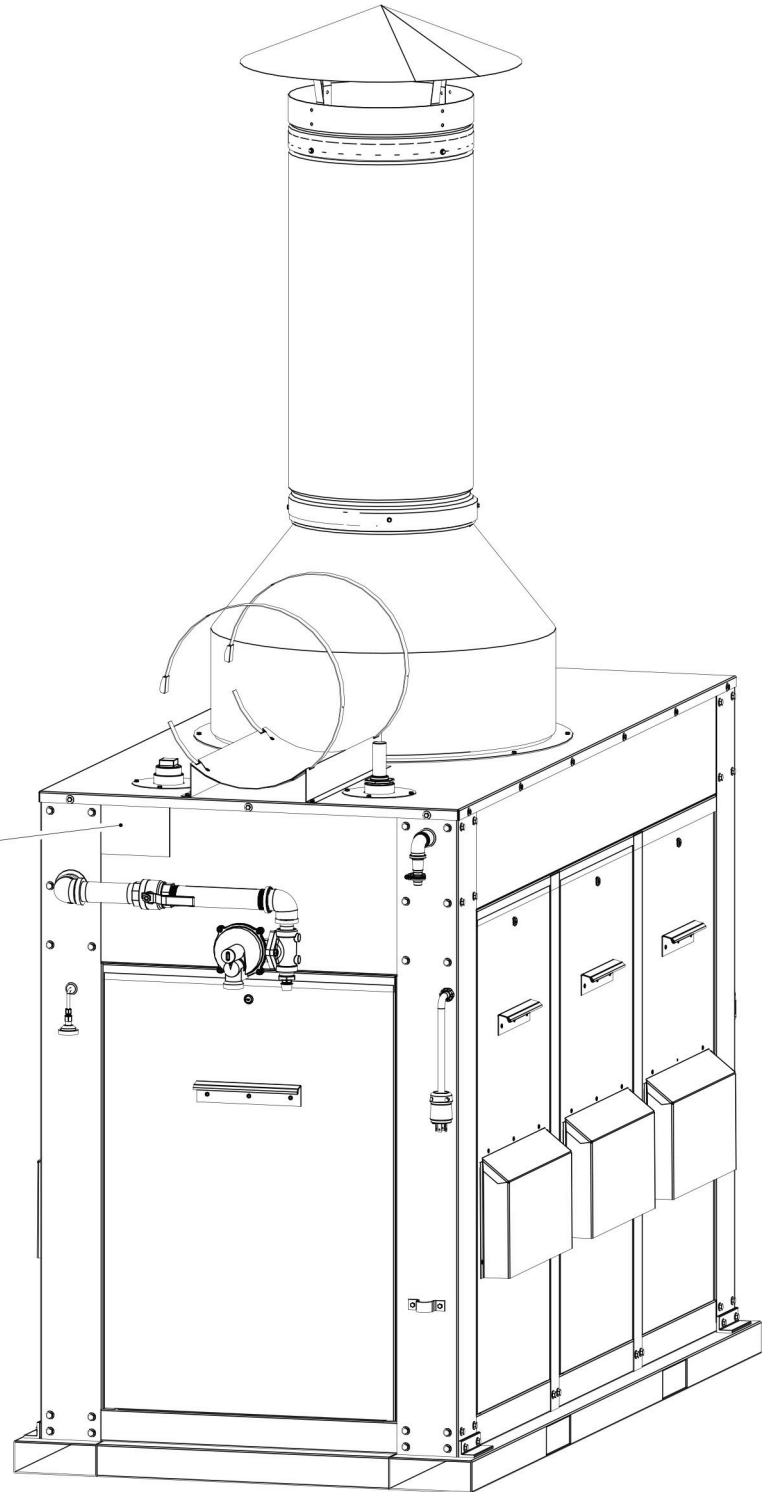


**DRYAIR MANUFACTURING CORP.**  
PO BOX 126, 400 SERVICE ROAD  
ST. BRIEUX, SK S0K 3V0  
CANADA  
[www.dryair.ca](http://www.dryair.ca)

Tel: 1 (306) 275-4848  
Toll-Free: 1 (888) 750-1700  
Fax: 1 (306) 275-4664  
Email: [parts@dryair.ca](mailto:parts@dryair.ca)



# Central Heating Unit 2000-1200 Series Serial Number Location



<b>DRYAIR</b>		P.O. Box 126 400 Service Road St. Brieux, Sk. Canada S0K 3V0		<b>MADE IN CANADA</b>
DRYAIR Model		Reference:		
Serial No:		Prod. Sched.		
<b>Main Power</b>		<b>Boiler</b>		
Volts:	1	Fuel:	Natural Gas	Propane
Phase:	1	Pilot:	Electric Spark Ignition	Electric Spark Ignition
Fz:	60 Hz	Max. Gas Pressure:	14" W.C.	11" W.C.
Max. Ampacity:		Min. Gas Pressure:	6" W.C.	11" W.C.
Control Voltage:	120/24VAC	Max. Manifold Gas Pressure:	4" W.C.	11" W.C.
		Min. Manifold Gas Pressure:	3.5" W.C.	10" W.C.
		Calorific Value:	1000 Btu/cu ft.	24,197 Btu/litre
		Input Capacity:	MBH	MBH
		Output Capacity:	MBH	MBH
		Installed Altitude:	FL	FL

NOTE: This appliance is equipped for the "gas type" indicated on the "Gas Train Label" inside the cabinet.  
Clearances: 36" minimum on all sides of structure.

Complies to: ANSI Z21.13

003-701061-006



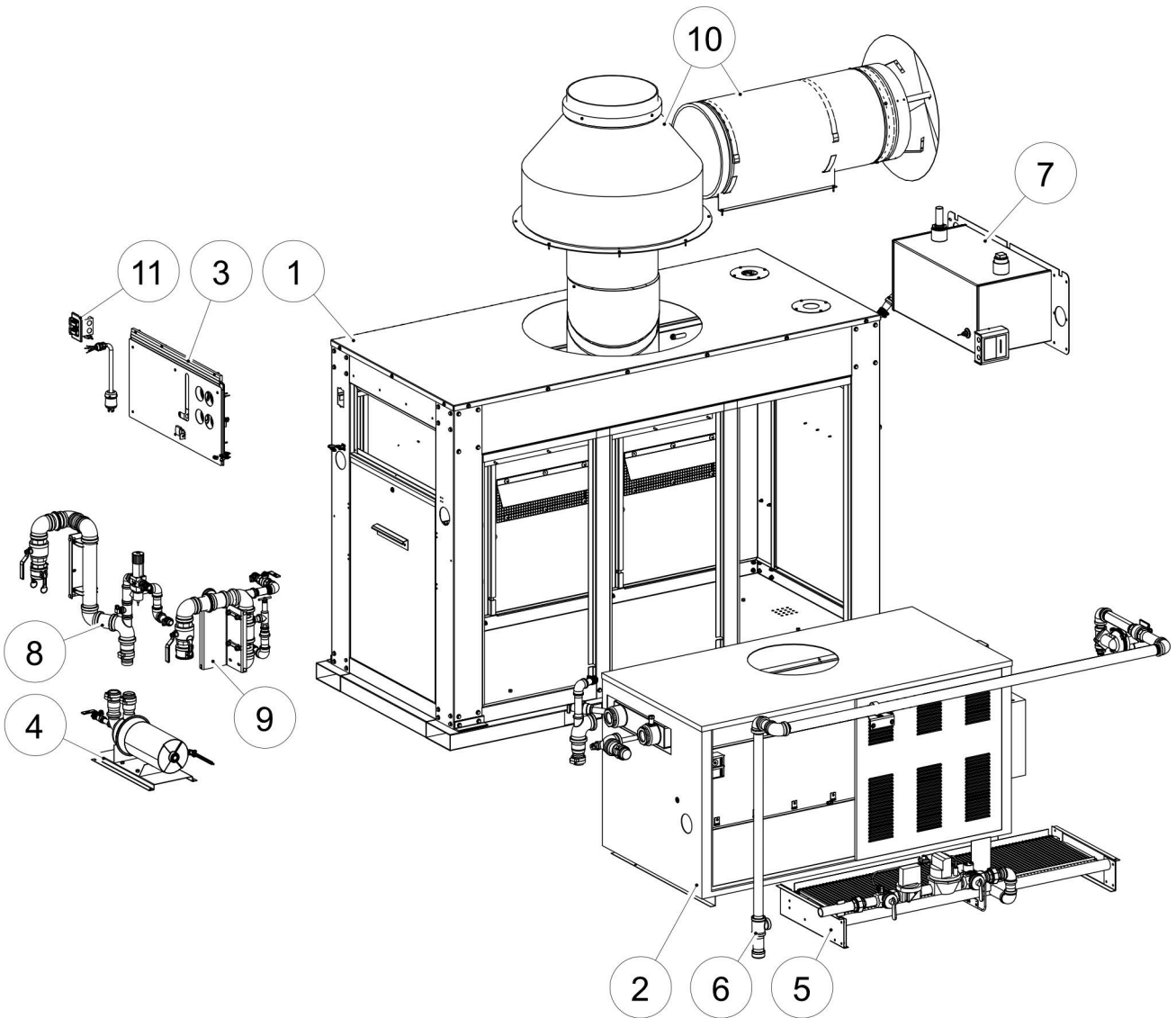
# Central Heating Unit 2000-1200 Series Table of Contents

Enclosure .....	1.1.1
Panel End Door .....	1.1.5
Tank End Door .....	1.1.7
Side Door .....	1.1.9
Heat Exchanger.....	2.1.1
Control Panel .....	2.1.3
Pump .....	2.1.5
Burner - CSD-1, CDN Standard .....	2.1.9
Gas Train - G5 .....	2.1.11
Gas Train - G6 .....	2.1.13
Gas Train - MASS .....	2.1.15
Gasline & Propane Regulator.....	2.1.17
Glycol Tank .....	2.1.19
Supply Plumbing .....	2.1.21
Return Plumbing.....	2.1.23
Kamlocks .....	2.1.25
Chimney .....	2.1.27
Electrical .....	2.1.29
Hoses and Fuel Lines.....	3.1.1
Decals .....	4.1.1



Central Heating Unit  
2000-1200 Series  
Master Assembly

S/N: 20000 -  
S/N: Current

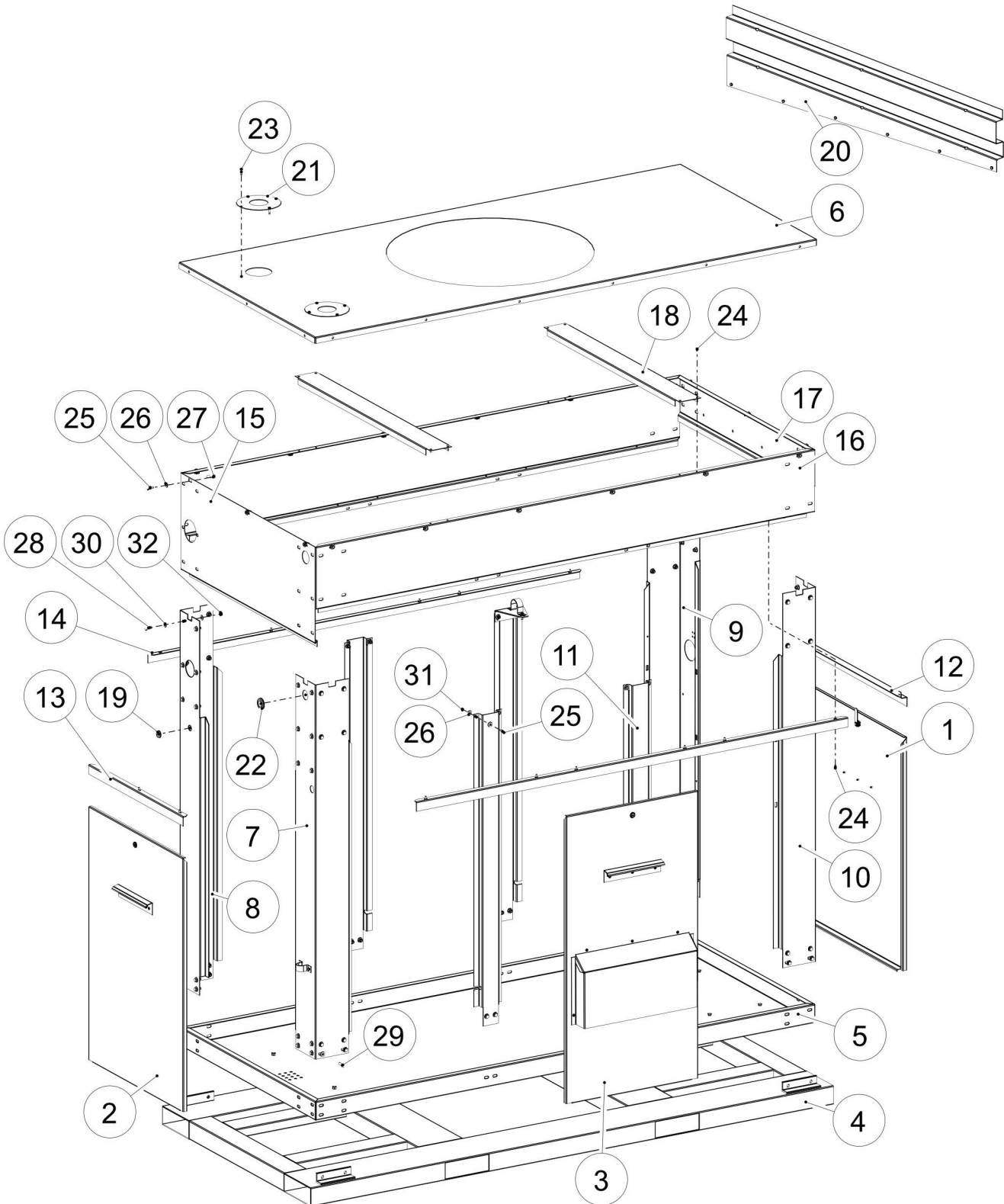




**Central Heating Unit  
2000-1200 Series  
Master Assembly**

S/N: 20000 -  
S/N: Current

Item No.	Part No.	Description	Page
1		CABINET - see page 1.1.1	
2		HEAT EXCHANGER - see page 2.1.1	
3		CONTROL PANEL & COVER - see page 2.1.3	
4		PUMP - see page 2.1.5	
5		BURNER - see page 2.1.9	
6		GAS LINE - see page 2.1.17	
7		GLYCOL TANK - see page 2.1.19	
8		SUPPLY PLUMBING - see page 2.1.21	
9		RETURN PLUMBING - see page 2.1.23	
10		CHIMNEY - see page 2.1.27	
11		ELECTRICAL - see page 2.1.29	



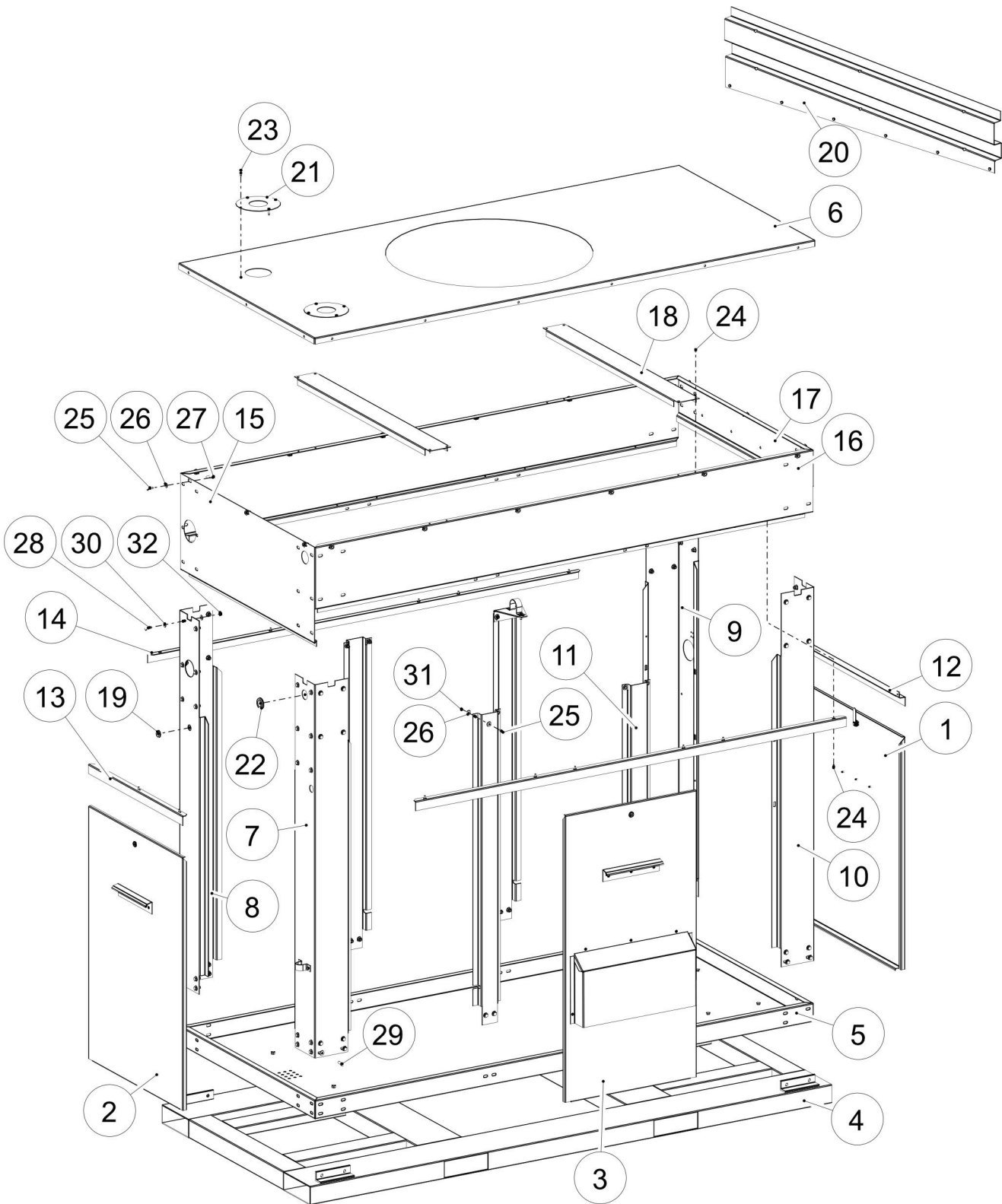


**Central Heating Unit  
2000-1200 Series  
Cabinet**

S/N: 20000 -  
S/N: Current  
PAGE: 1.1.2

Item No.	Part No.	Description	Qty.
1		PANEL END DOOR - see page 1.1.5	
2		TANK END DOOR - see page 1.1.7	
3		SIDE DOOR - see page 1.1.9	
4	004-701376	BASE MOD2000 CAB RAYPAK	1
5	004-701377	FLOOR MOD2000 CAB RAYPAK	1
	004-903634	FLOOR MOD2000 CAB RAYPAK PNTD BLUE	1
6	004-701386	ROOF PNL MOD2000 CAB RAYPAK	1
	004-903641	ROOF PNL MOD2000 CAB RAYPAK PNTD BLUE	1
7	004-702023	CORNER POST D-MOD2000B R01	1
	004-903661	CORNER POST D MOD2000 PNTD BLUE	1
8	004-701380	CORNER POST C MOD2000 CAB RAYPAK R01	1
	004-903636	CORNER POST C MOD2000 CAB RAYPAK PNTD BLUE	1
9	004-701379	CORNER POST B MOD2000 CAB RAYPAK R02	1
	004-903635	CORNER POST B MOD2000 CAB RAYPAK PNTD BLUE	1
10	004-702022	CORNER POST A MOD2000B R01	1
	004-903660	CORNER POST A MOD2000 PNTD BLUE	1
11	004-701382	POST E MOD2000 CAB RAYPAK R01	4
	004-903637	POST E MOD2000 CAB RAYPAK PNTD BLUE	4
12	004-701390	DOOR RTNR PNL END MOD2000 CAB RAYPAK	1
	004-903645	DOOR RTNR PNL END MOD2000 PNTD BLUE	1
13	004-701391	DOOR RTNR TANK END MOD2000 CAB RAYPAK R01	1
	004-903646	DOOR RTNR TANK END MOD2000 PNTD BLUE	1
14	004-701389	DOOR RTNR TOP SIDE MOD2000 CAB RAYPAK	2
	004-903644	DOOR RTNR TOP SIDE MOD2000 PNTD BLUE	2
15	004-701385	RAIL TOP TANK END MOD2000 CAB RAYPAK	1
	004-903640	RAIL TOP TANK END MOD2000 CAB RAYPAK PNTD BLUE	1
16	004-701383	RAIL TOP SIDE MOD2000 CAB RAYPAK	2
	004-903638	RAIL TOP SIDE MOD2000 CAB RAYPAK PNTD BLUE	2
17	004-701384	RAIL TOP PNL END MOD2000 CAB RAYPAK	1
	004-903639	RAIL TOP PNL END MOD2000 CAB RAYPAK PNTD BLUE	1
18	004-701392	ROOF SUP MOD2000 CAB RAYPAK	2
	004-903647	ROOF SUP MOD2000 PNTD BLUE	2
19	009-701422	GROM RBG-6 CODE#519-606 DOCAP	1
20	004-701405	BRKT TANK HOSE RTNR MOD2000 CAB RAYPAK	1
	004-903654	BRKT TANK HOSE RTNR MOD2000 PNTD BLUE	1
21	004-701388	ROOF FLSHG DISK TANK MOD2000 CAB RAYPAK	2
	004-903643	ROOF FLSHG DISK TANK MOD2000 PNTD BLUE	2
22	009-700192	GROM 1X1-3/8 RBR MOD 80 COIL	1
23	001-700629	SCRW D/T 10-16X3/4 5/16HEX HD PLD	8
24	001-700803	RIVET 5/32 GRP .3125-.375 SS	23
25	001-701482	BOLT 1/4X3/4 PLD GR5	26
26	001-700129	WSHR FLT 1/4 PLD	38
27	001-900761	NUT PNL RTNR 1/4	18
		Continued on Next Page	





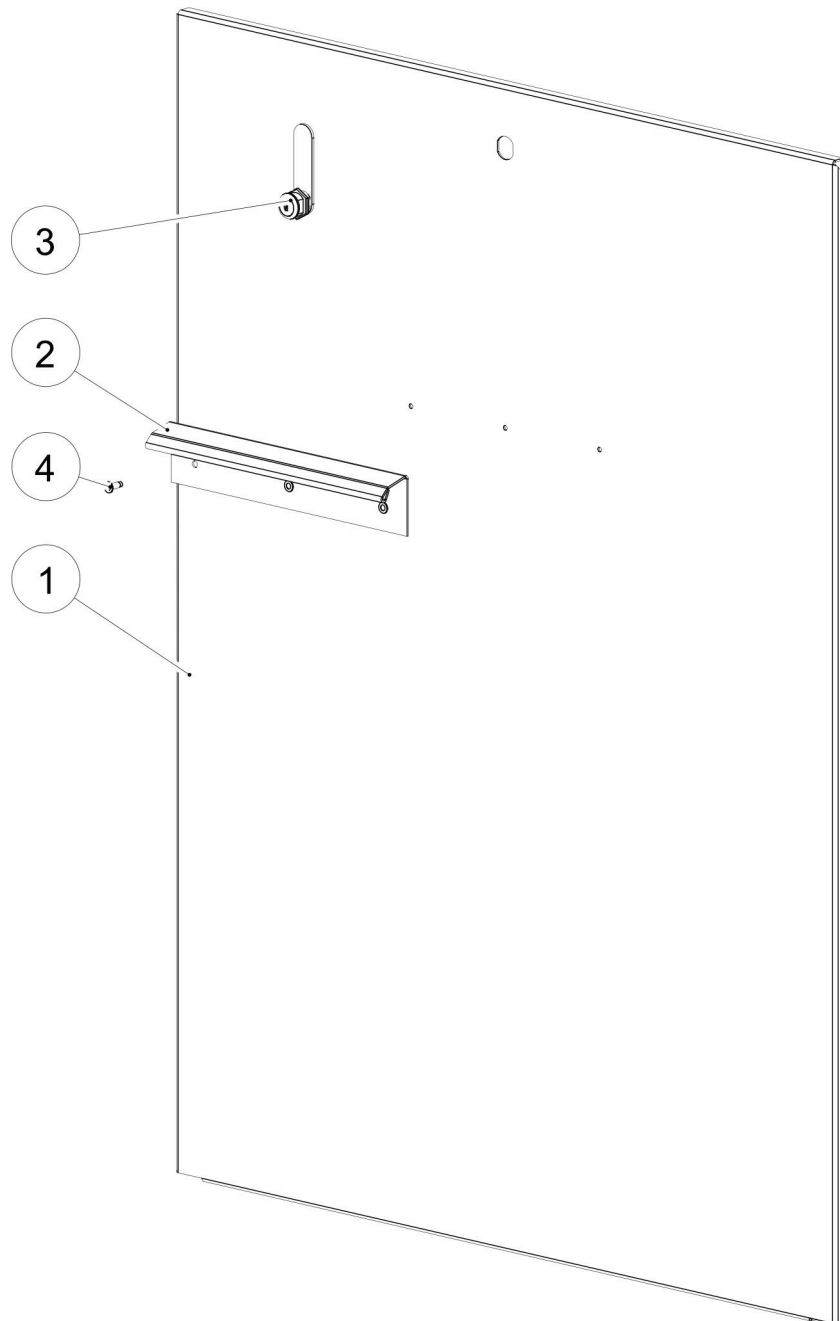




**Central Heating Unit  
2000-1200 Series  
Cabinet**

S/N: 20000 -  
S/N: Current  
PAGE: 1.1.4

Item No.	Part No.	Description	Qty.
28	001-700958	BOLT 5/16X3/4 PLD GR5	66
29	001-700743	BOLT 5/16X1 PLD GR5	8
30	001-700742	WSHR FLT 5/16 PLD	132
31	001-700042	NUT LKG NYL 1/4 UNC PLD	8
32	001-700741	NUT LKG NYL 5/16 UNC PLD	66

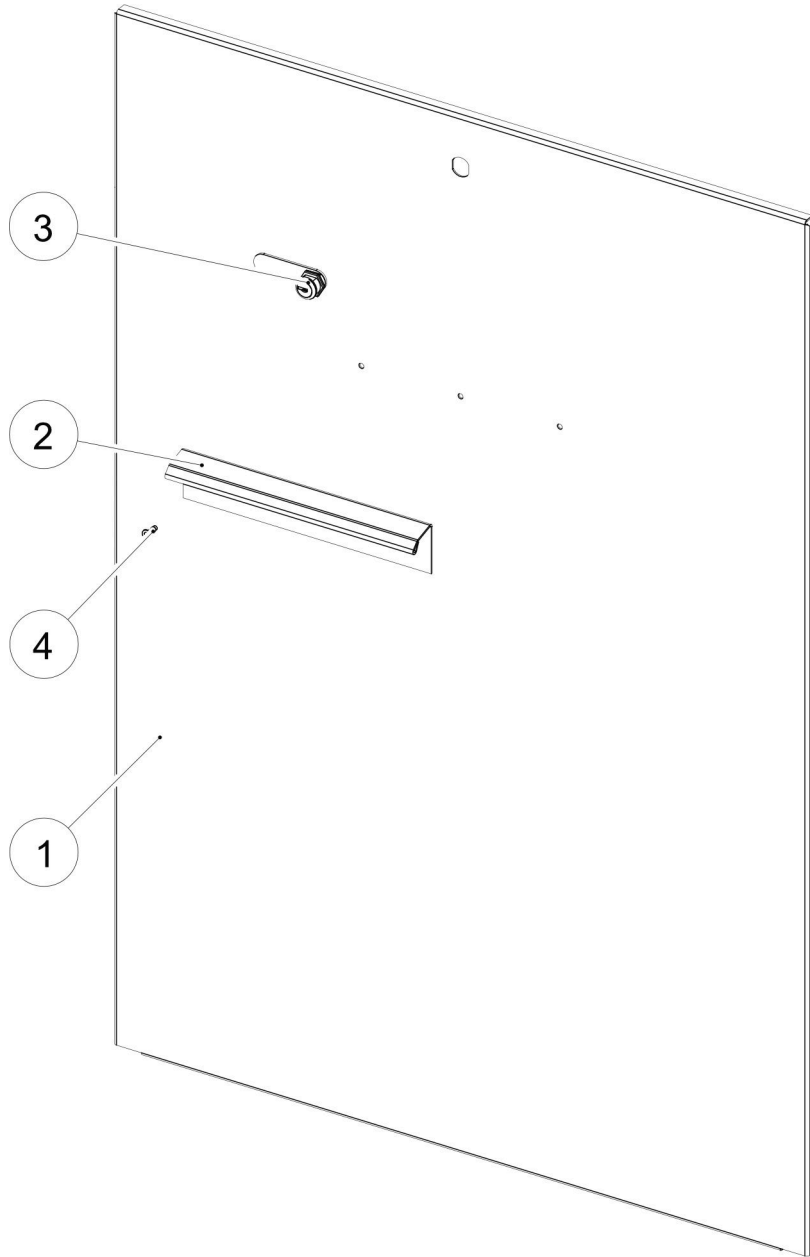




**Central Heating Unit  
2000-1200 Series  
Panel End Door**

S/N: 20000 -  
S/N: Current  
PAGE: 1.1.6

Item No.	Part No.	Description	Qty.
	<b>018-702368</b>	<b>PKG DOOR PANEL END 2000-1200 CAB</b> (Includes 1-4 & Key)	<b>1</b>
	<b>018-903668</b>	<b>PKG DOOR PANEL END 2000-1200 PNTD BLUE</b> (Includes 1-4 & Key)	<b>1</b>
1	004-701395	DOOR PNL END MOD2000 CAB RAYPAK R02	1
	004-903649	DOOR PNL END MOD2000 PNTD BLUE	1
2	004-701399	HNDL MOD2000 CAB RAYPAK R01	1
	004-903612	HNDL MOD2000 CAB PNTD BLUE	1
3	001-702091	LOCK CAM 545 5/8X2-1/2 WR	1
4	001-700803	RIVET 5/32 GRP .3125-.375 SS	3
		The following components may not be shown	
	001-702305	KEY FOR 545 CAM LOCK 5/8 X 2-1/2	

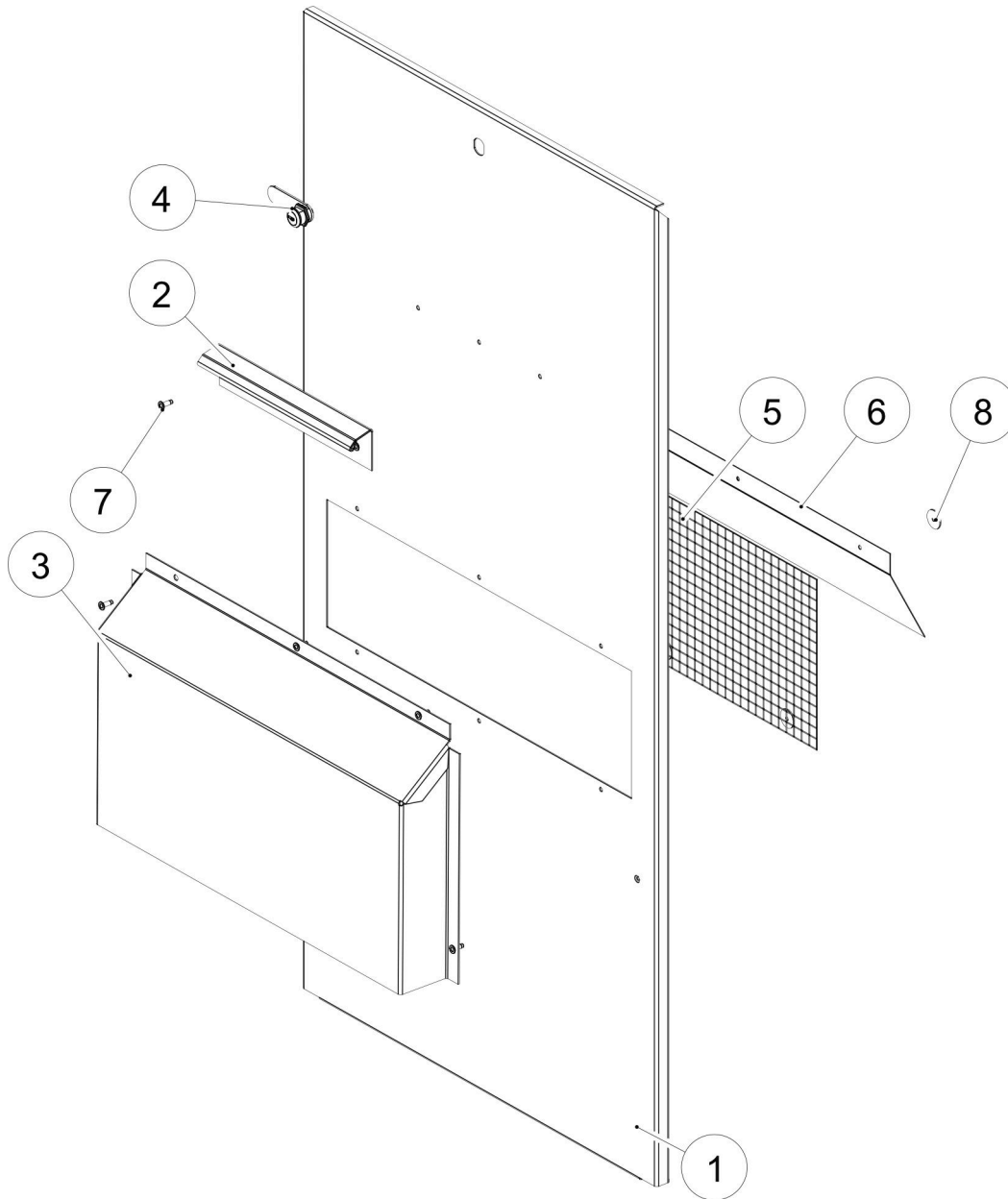




**Central Heating Unit  
2000-1200 Series  
Tank End Door**

S/N: 20000 -  
S/N: Current  
PAGE: 1.1.8

Item No.	Part No.	Description	Qty.
	<b>018-702367</b>	<b>PKG DOOR TANK END 2000-1200 CAB</b> (Includes 1-4 & Key)	<b>1</b>
	<b>018-903667</b>	<b>PKG DOOR TANK END 2000-1200 PNTD BLUE</b> (Includes 1-4 & Key)	<b>1</b>
1	004-701398	DOOR TANK END MOD2000 CAB RAYPAK R02	1
	004-903650	DOOR TANK END MOD2000 PNTD BLUE	1
2	004-701399	HNDL MOD2000 CAB RAYPAK R01	1
	004-903612	HNDL MOD2000 CAB PNTD BLUE	1
3	001-702091	LOCK CAM 545 5/8X2-1/2 WR	1
4	001-700803	RIVET 5/32 GRP .3125-.375 SS	3
		The following components may not be shown	
	001-702305	KEY FOR 545 CAM LOCK 5/8 X 2-1/2	



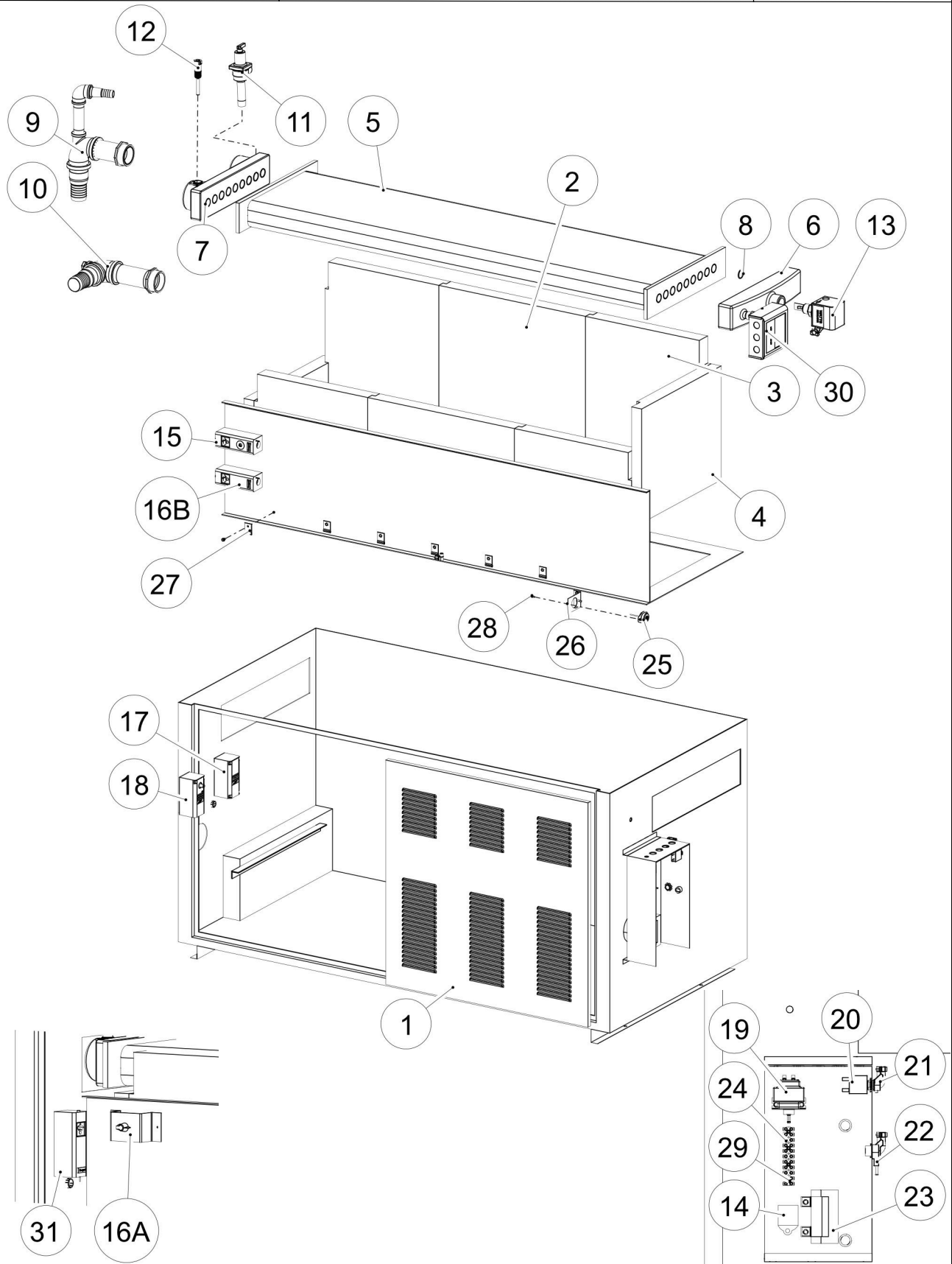


**Central Heating Unit  
2000-1200 Series  
Side Door**

S/N: 20000 -  
S/N: Current  
PAGE: 1.1.10

Item No.	Part No.	Description	Qty.
	<b>018-701944</b>	<b>PKG DOOR SIDE CW VENT OPNG 2000-1200</b> (Includes 1-8 & Key)	<b>6</b>
	<b>018-903666</b>	<b>PKG DOOR SIDE CW VENT OPNG 2000-1200 PNTD BLUE</b> (Includes 1-8 & Key)	<b>6</b>
1	004-701393	DOOR SIDE C/W VENT OPNG MOD2000 CAB RAYPAK	1
	004-903648	DOOR SIDE C/W VENT OPNG MOD2000 PNTD BLUE	1
2	004-701399	HNDL MOD2000 CAB RAYPAK R01	1
	004-903612	HNDL MOD2000 CAB PNTD BLUE	1
3	004-701400	VENT INTAKE HOOD COMB MOD2000 CAB RAYPAK	1
	004-903651	VENT INTAKE HOOD COMB MOD2000 PNTD BLUE	1
4	001-702091	LOCK CAM 545 5/8X2-1/2 WR	1
5	010-702381	SCREEN 1/2X1/2X8X20L	1
6	010-701509	DEFLECT AIR HOOD COMBUST	1
7	001-700803	RIVET 5/32 GRP .3125-.375 SS	11
8	001-701208	WSHR FNDR 7/8X5/32 PLD	8
		The following components may not be shown	
	001-702305	KEY FOR 545 CAM LOCK 5/8 X 2-1/2	



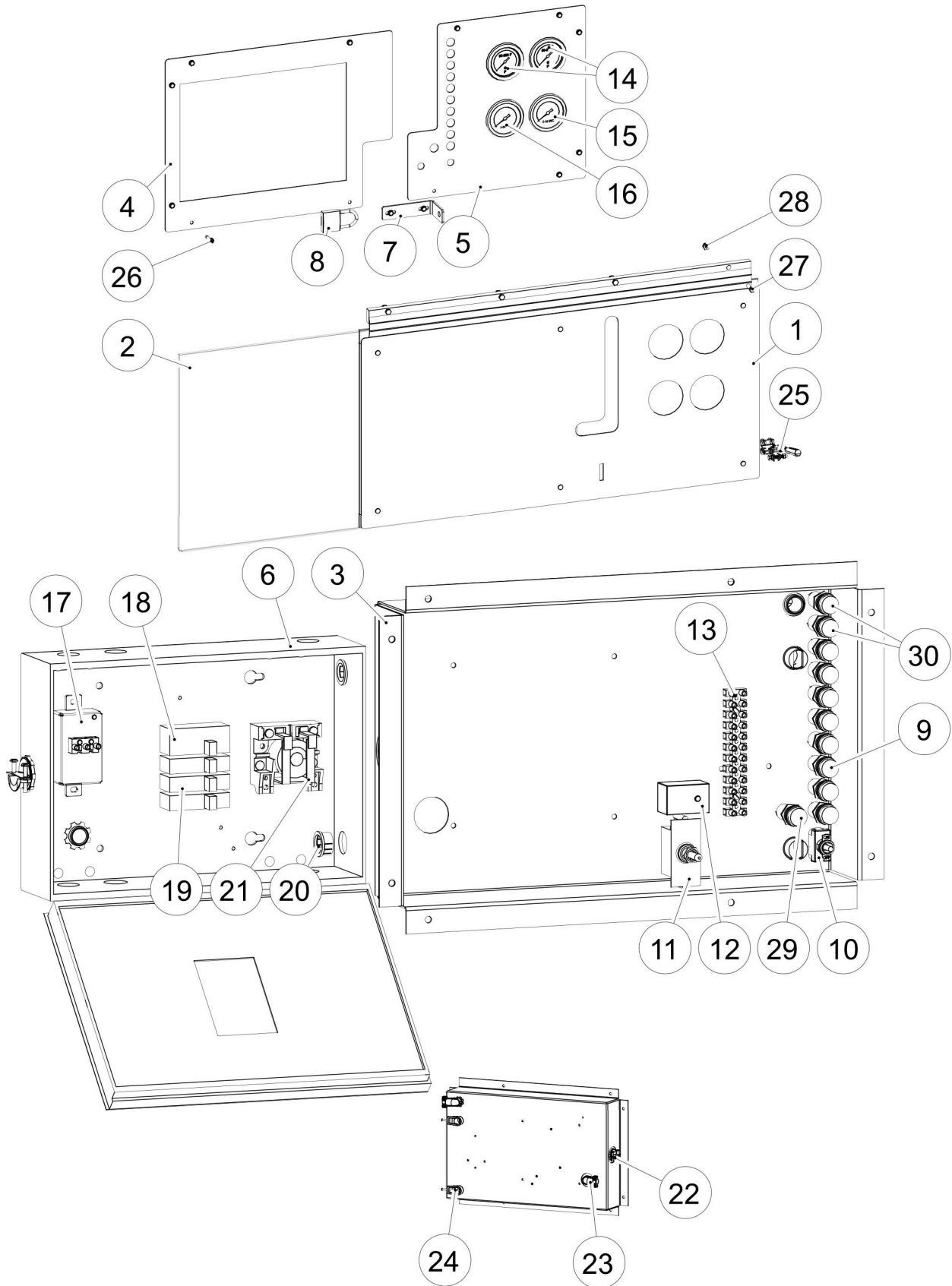




**Central Heating Unit  
2000-1200 Series  
Heat Exchanger**

S/N: 20000 -  
S/N: Current  
PAGE: 2.1.2

Item No.	Part No.	Description	Qty.
1	006-703371	DOOR RAYPAK HEAT EXCHANGER MOD 1223	2
2	006-701811	BRICK CENTER RAYPAK	2
3	006-701810	BRICK CORNER RAYPAK	4
4	006-701812	BRICK END RAYPAK	2
5	006-702997	HEAT EXCH TUBE BDL RAYPAK MOD 1223	1
6	006-702250	HEADER RETURN CAST IRON 9 TUBE, 2 PASS 350660	1
7	006-702248	HEADER IN/OUT CAST IRON 2 1/2IN 9 TUBE, 2 PASS	1
8	006-701548	GSKT RTRN HDR MOD 1223/305	18
9	018-701614	PKG PLMB SPLY HEAT EXCHANGER RAYPAK CAB	1
10	018-701615	PKG PLMB RETURN HEAT EXCHANGER RAYPAK CAB	1
11	006-700879	VLV SAFETY PRESS RLF 60PSI 3/4X3/4	1
12	005-704272	WELL THERM BULB ASSY 1/2IN NPT	1
13	006-700778	CNTRL FLOW MULT PADDLE	1
14	006-701986	RELAY (G6 ONLY)	2
15	006-702140	CNTRL HI LIMIT MAN RESET	1
16A	006-701532 006-904930	HI-LIMIT G1-11452 (1223) KNOB HI LIMIT PLASTIC 1 1-4 Head 8-32 Set Screw	1
16B	006-702898	CONT HI LIMIT AUTO RESET L4008A1015 HONEYWELL	1
17	006-702127	SYSTEMS 350 STAG MODULE	1
18	006-702126 006-702391	ELECTRONIC TEMP CONTROL A350 (Includes Temp Sensor) TEMP SENSOR A99BC-25	1
19	006-701213	XFMR 40VA 120V 60HZ 24V CLASS 2	1
20	002-703116	BRKR CKT 3A SP PUSH-TO-RESET	1
21	002-800025	CONNECTOR 3/8 90DEG BX/FLEX	3
22	002-800026	CONNECTOR 3/8 BX/MND/FLEX	1
23	006-703164	IGN MDL HONEYWELL S8600H 90SEC LKOUT 100% SO	1
24	002-702013	TERM STRIP-12POLE	1
25	005-702295	SW FLAMEROLLOUT 350F 60IN THERMODISK	1
26	010-701507	BRKT ROLL OUT SW	1
27	010-703407	CLIP 1X1-1/2 CW HOLE	6
28	001-700630	SCRW D/T 10-16X1/2 5/16HEX HD PLD	10
29	001-702953	SCRW SH MET #6X3/4 PAN HD	4
30	006-700191	LOW WATER CUT-OFF CW PROBE	1
31	006-701210	THERMO/AQUA 2STG HI-RNG HONEYWELL (Old style, was replaced by 17,18)	1
		The following components may not be shown	
	011-701175	CPRSN FTG CON 1/4TX1/4 FPT	2
	011-901721	VENT UMBRELLA TYPE 1/4 MNPT	1
	014-700458	PIPE SOFT COP 1/4ODX.03W ASTM B280	11FT
	011-702702	PLUG BRS 1/2 NPT SQ HD	1
		Parts found in G6, G5, CSD-1 Certified units only	
	002-701813	BLOCK DISTRIBUTION 4 POLE	1
	006-701968	TERM STRIP 2POLE	1

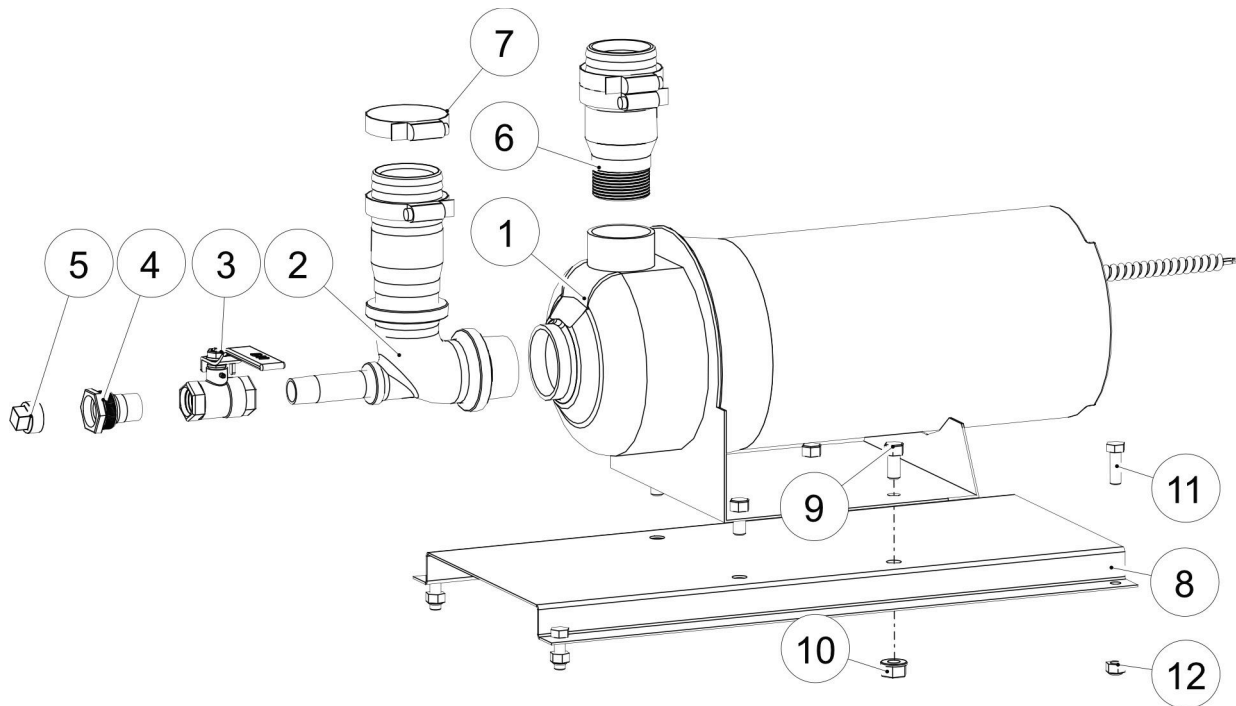




**Central Heating Unit  
2000-1200 Series  
Control Panel**

S/N: 20000 -  
S/N: Current  
PAGE: 2.1.4

Item No.	Part No.	Description	Qty.
	<b>018-702380</b>	<b>PKG WINDOW RAYPAK CAB 2000-1200</b> (Includes 1-2)	<b>1</b>
1	004-702085	COV CONT PNL	1
2	004-900209	WINDOW CW HINGE 30-1/4L X 16-1/2W SLOT 2100-1200	1
3	004-701401	BOX ELEC MOD2000 CAB RAYPAK	1
4	004-702019	CVR PLT ELEC BOX MOD2000B	1
5	004-702018	CVR PLT GAUGEMT-MOD2000B R02	1
6	002-800029	BOX PNL Q06121L100TS SQ-D	1
7	004-900213	BRK LOCK WINDOW PNL	1
8	001-702054	LOCK	1
9	002-902175	LAMPHLDR SOCKET BAY T3-1/4 CW GREEN LENSE	10
10	002-701359	SW TGL SPST 20A 125V SCR W TERM	1
11	002-701360	SW TGL DPST 2HP 250V 20A	1
12	002-702015	FLASHER 24-120F60DF	1
13	002-702013	TERM STRIP-12POLE	1
14	005-701073	GAUGE TEMP 60IN CPLRY 40-240DEG F WIKA	2
15	005-703490	GAUGE LO-PRESS 0-15IN WC PNL 2-1/2IN WIKA	1
16	005-703489	GAUGE PRESS 0-60PSI PNL 2-1/2IN WIKA	1
17	002-702014	SURGE SUPPRESSOR-#3800 WM	1
18	002-800066	BRKR PLUG-ON 15A 2P	1
19	002-800040	BRKR PLUG-ON 15A SP	3
20	002-701115	BSHG KO 1/2	2
21	002-800038	RELAY 120V DPDT 30A/240V	1
22	002-700137	CONNECTOR 3/4 2SCR CLP	1
23	002-800025	CONNECTOR 3/8 90DEG BX/FLEX	2
24	002-800026	CONNECTOR 3/8 BX/MND/FLEX	2
25	001-701481	CLP HDL HLDN 213-U HORZ	2
26	001-700629	SCRW D/T 10-16X3/4 5/16HEX HD PLD	12
27	001-701482	BOLT 1/4X3/4 PLD GR5	4
28	001-700042	NUT LKG NYL 1/4 UNC PLD	4
29	002-902176	LAMPHLDR SOCKET BAY T3-1/4 CW RED LENSE	1
30	002-702010	BULB-155MB-155V	2
		The following components may not be shown	
	002-702011	BULB-#48MB - 48 VOLT	9

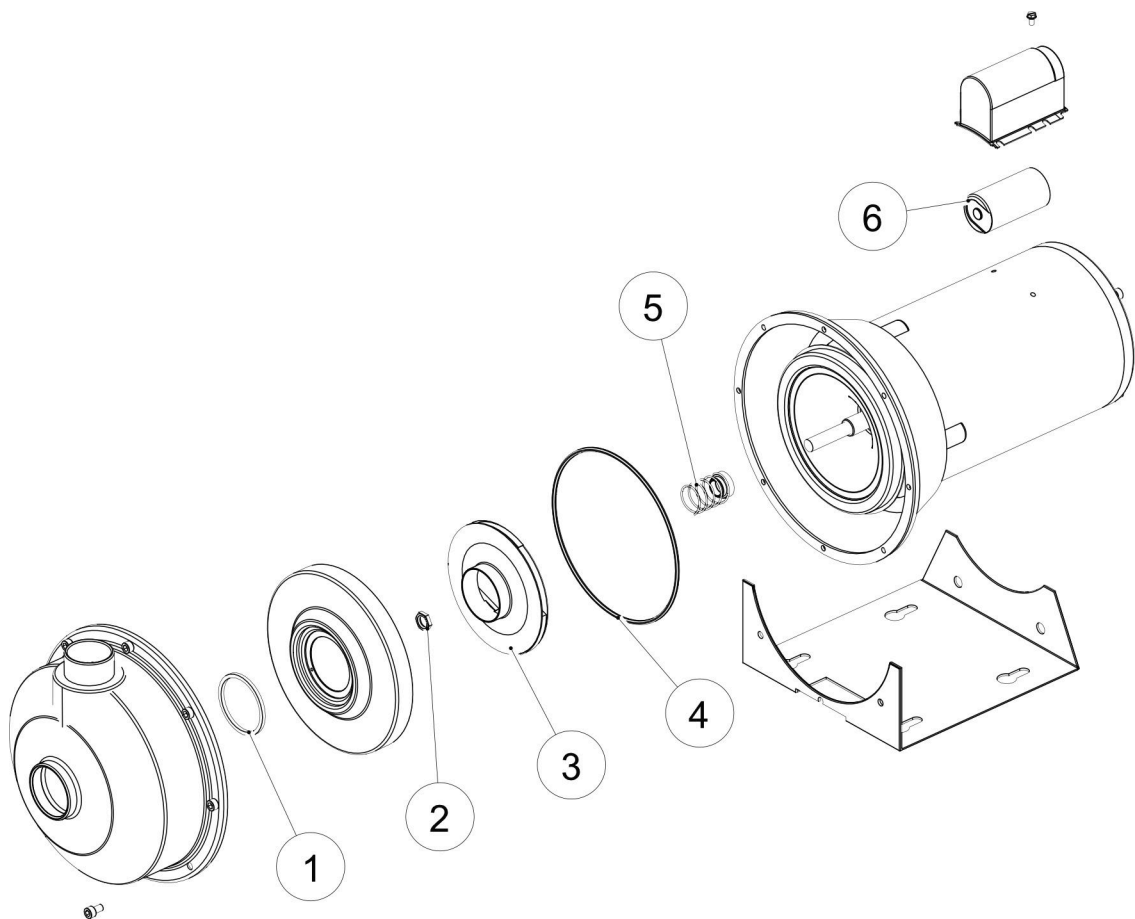




**Central Heating Unit  
2000-1200 Series  
Pump**

S/N: 20000 -  
S/N: Current  
PAGE: 2.1.6

Item No.	Part No.	Description	Qty.
1	012-800055	PUMP - see page 2.1.7	1
2	018-701617	PKG PLMB PUMP SPLY/RAYPAK CAB R01	1
3	011-700115	VLV BALL 1/2 400WOG STD BRS CGA NPTF	1
4	011-700404	CPLR FEM GARD THD 1/2XSWVL NPTM	1
5	011-704470	PLUG GARDEN HOSE MALE BRS	1
6	011-702056	NIPL COMB 1-1/4NPTX2HB PNTD BLK	1
7	001-700337	CLP HOSE HS32 2-1/2 SLTD HEX HD SS	4
8	004-701407	BRKT PUMP MT MOD2000 CAB RAYPAK	1
9	001-700434	BOLT 3/8X3/4 PLD GR5	4
10	001-700721	NUT LKG NYL 3/8 UNC PLD	4
11	001-700743	BOLT 5/16X1 PLD GR5	4
12	001-700741	NUT LKG NYL 5/16 UNC PLD	4







# Central Heating Unit 2000-1200 Series Pump

S/N: 2000 -  
S/N: Current  
PAGE: 2.1.8

Item No.	Description	Part No.				
		012-800052 3/4 HP	012-800053 1 HP	012-905311 2 HP	012-800055 2 HP	012-702751 3 HP
1	SEAL RING GUIDEVANE G & L PUMP	006-703027	006-703008			
2	LOCKNUT IMPELLER G & L PUMP	006-703026				
3	IMPELLER G & L PUMP	006-703028	006-703029	006-703007	006-703030	006-703031
4	O-RING CASING G & L PUMP	006-703006				
5	SEAL MECH G & L PUMP	006-703005				
6A	CAPACITOR PUMP GOULDS	006-701171	006-702799	006-701171		006-703468
6B	CAPACITOR RUN PUMP GOULDS CAPACITOR RATING: 60µF 370V					006-906552
6C	CAPACITOR RUN PUMP GOULDS W/ NIDEC MOTOR CAPACITOR RATING: 40µF 370V					006-906922
6D	CAPACITOR START PUMP GOULDS W/ NIDEC MOTOR CAPACITOR RATING: 233-280µF 165V					006-906923
6E	CAPACITOR PUMP GOULDS W/ NIDEC MOTOR CAPACITOR RATING: 189-227µF 110V	006-906943				

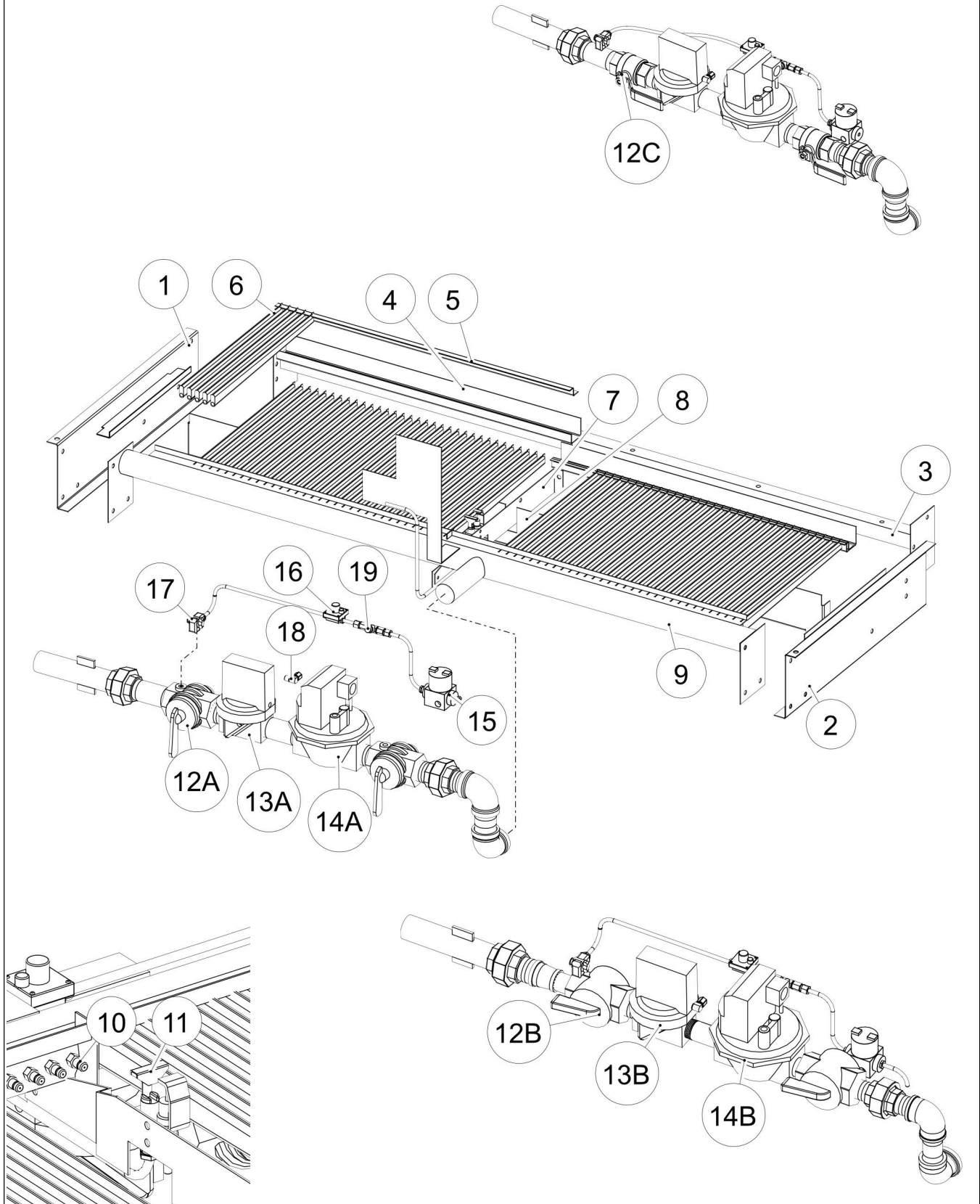
REFER TO PUMP MOTOR NAME PLATE EXAMPLES PRIOR TO ORDERING CAPACITORS

### NIDEC MOTOR NAME PLATE EXAMPLE

		CUST. NO. E09054BBS	
CAT. NO.	MODEL	INS F	AMB 40 °C PH 1 CODE E
THERMALLY PROTECTED	AUTO ENC ODP FRAME 56J	DUTY	CONT DATE CODE
PROT. CODE 00240			
<b>60 HZ DATA</b>	<b>50 HZ DATA</b>	CONNECTIONS	
3 3450 208-230 14.0-13.0 1.15 16.0-14.0	HP RPM VOLTS F.L.A. S.F.A. N/A		
CE IP22		<small>MOTOR IS NON-REVERSIBLE COW ROTATOR SHUNT END</small> <small>SUPPLY CONNECTIONS USE WIRES SIZED ON THE BASIS OF EFFICIENCY AND RATED MINIMUM 50°C.</small>	
 <b>SUITABLE FOR FIELD WIRING. USE COPPER CONDUCTORS ONLY</b>			
<b>WARNING:</b> MOTOR MUST BE GROUNDED IN ACCORDANCE WITH LOCAL AND NATIONAL ELECTRIC CODES. COMPONENT COVER MUST BE IN PLACE BEFORE OPERATING TO PREVENT ELECTRICAL SHOCK OR INJURY.			

### WEG, BLUFFTON MOTOR NAME PLATE EXAMPLE

		MAT 1530627 SERIAL 107319461					
HZ 60	V 115/208-230 V	HZ 50	V 115/230 V				
HP 0.75	RPM 3450	HP 0.75	RPM 2875				
FLA 9.2/4.6-4.6	SF 1.5	FLA 12.2/6.1	SF 1.00				
SFA 12.0/6.5-6.0	FR 56J	SFA E05C12A1EB6G					
INS B	PH 1	REF	CAT				
ENC DP	TYPE U						
INS B	CONT (S1)						
ENC DP	DSN 22H0111 8						
CERT ID 4103007456							
<small>WARNING: Always disconnect motor from power supply before servicing. Fatal shock may result if motor frame and adjacent metal are not grounded in compliance with electrical code.</small>							
<small>THERMALLY PROTECTED AUTOMATIC RESET. Motor will restart without warning after protector trips. Do not install this motor on equipment where automatic startup could result in injury.</small>							
 <small>© E10/97 241536</small>		<table border="1" style="width: 100%; border-collapse: collapse;"> <tr> <th style="width: 50%;">HIGH VOLTAGE</th> <th style="width: 50%;">LOW VOLTAGE</th> </tr> <tr> <td style="text-align: center;"> </td> <td style="text-align: center;"> </td> </tr> </table>		HIGH VOLTAGE	LOW VOLTAGE		
HIGH VOLTAGE	LOW VOLTAGE						

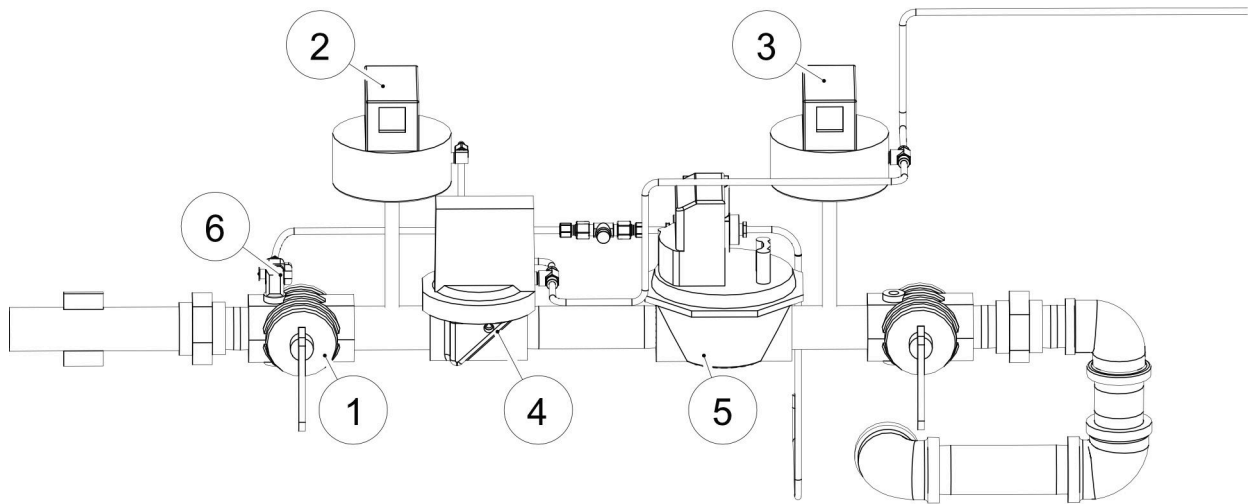




**Central Heating Unit  
2000-1200 Series  
Burner - CSD-1, CDN Standard**

S/N: 20000 -  
S/N: Current  
PAGE: 2.1.10

Item No.	Part No.	Description	Qty.
	<b>018-702042</b>	<b>PKG CVN RPK CSD-1 NG 0-2000FT 49DMS</b>	<b>1</b>
	<b>018-702043</b>	<b>PKG CVN RPK CSD-1 PN 0-2000FT 57DMS</b>	<b>1</b>
1	006-701862	SIDE BRKT LEFT	1
2	006-701873	SIDE BRKT RIGHT	1
3	006-701863	BACK ANG BRNR TRAY	1
4	006-701864	BRNR SPACER	2
5	006-701867	HOLD DOWN BRKT	2
6	006-701531	BNR RIBBON (75) (1223)	75
7	006-701865	PILOT LINE BRLT	1
8	006-701866	PILOT LINE BRACE	1
9	006-701872	MANF BURNER TRAY	1
10A	006-701516	ORF #49 SE NG	75
10B	006-701523	ORF #50 HE NG 2000-5000FT	75
10C	006-701525	ORF #57 SE LP	75
10D	006-701526	ORF #60 HE LP 5000-7000FT	75
11A	006-701211	PILOT IGN NG Q348A1242B-SPARK W/ORF SIDE MT	1
11B	006-702307	PILOT IGN PG Q348A1242B-SPARK W/ORF SIDE MT	1
11C	006-701533	PILOT ORF LP (1223)	1
11D	006-701743	ORF PILOT NG	1
12A	006-702310	VLV MANUAL GAS 1-1/4 <b>(NG ONLY)</b>	2
12B		VLV MANUAL GAS 1" <b>(LP ONLY)</b> <i>Contact DRYAIR Parts Dept.</i>	2
12C	011-700178	VLV BALL 1-1/4 400WOG FL PT BRS CGA NPTF <b>(NG ONLY)</b>	2
12D	011-700366	VLV BALL 1 400WOG FL PT BRS CGA NPTF <b>(LP ONLY)</b>	2
13A	006-702314	VLV SAFETY GAS V88A <b>(NG ONLY)</b>	1
13B	006-701874	REG HONEYWELL PN V88A1618-3 <b>(LP ONLY)</b>	1
14A	006-702312	VLV GAS 2 STAGE V8844B NAT GAS <b>(NG ONLY)</b>	1
14B	006-701528	VLV GAS 1X1 PN (1223) V8944C1017 <b>(LP ONLY)</b>	1
15	006-701354	VLV GAS H91WS-10-PILOT 24V	1
16	006-701218	PILOT REG NG 4-8IN PRESS RTG	1
17	006-701292	MANUAL PILOT B VLV 1/8	1
18	011-701078	CPRSN FTG ELB 1/4TX1/8 90DEG MPT	1
19	011-701870	FITTING BRS TEE 1/8 MPT	1
		The following components may not be shown	
	006-703985	VLV BLEEDLE 3 X 1/8NPT	
		Gas trains continued next page	

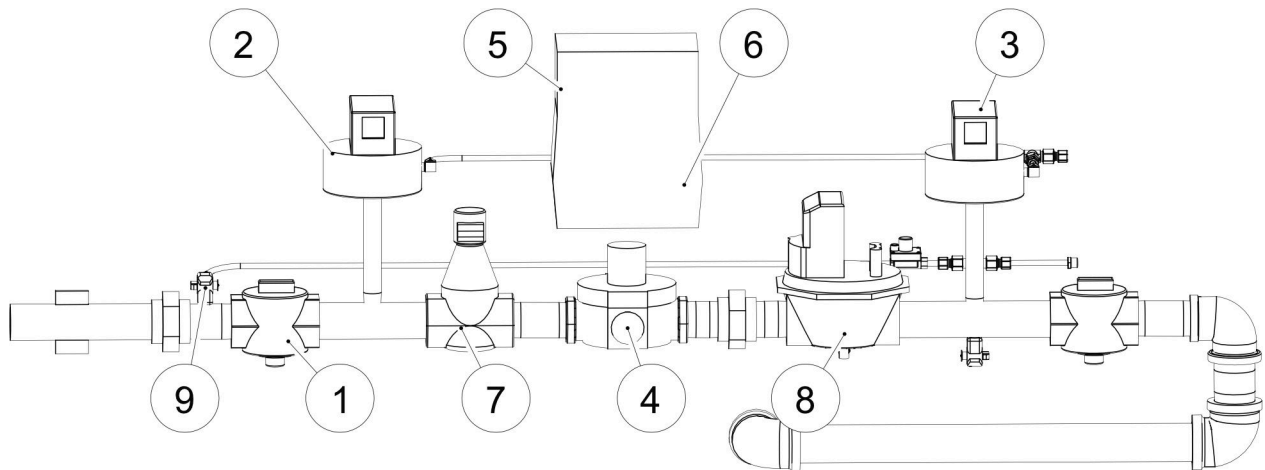




**Central Heating Unit  
2000-1200 Series  
Gas Train - G5**

S/N: 20000 -  
S/N: Current  
PAGE: 2.1.12

Item No.	Part No.	Description	Qty.
	<b>018-702038</b>	<b>PKG CVN RPK G5 NG 0-2000FT 49DMS</b> (Includes tray components)	<b>1</b>
	<b>018-702039</b>	<b>PKG CVN RPK G5 PN 0-2000FT 57DMS</b> (Includes tray components)	<b>1</b>
1	006-702310	VLV MANUAL GAS 1-1/4	2
2	006-702313	SW GAS PRESSURE ANTUNES LOW 1-6IN WC	1
3	006-702311	SW GAS PRESSURE ANTUNES HIGH 2-16IN WC	1
4	006-702314	VLV SAFETY GAS V88A	1
5	006-701527	VLV GAS 1-1/4X1-1/4 NG (1223) V8944B1027	1
6	006-702315	VLV GAS 2 STAGE V8944C 1-1/4	1





**Central Heating Unit  
2000-1200 Series  
Gas Train - G6**

S/N: 20000 -  
S/N: Current  
PAGE: 2.1.14

Item No.	Part No.	Description	Qty.
	<b>018-702040</b>	<b>PKG CVN RPK G6 NG 0-2000FT 49DMS</b> (Includes tray components)	<b>1</b>
	<b>018-702041</b>	<b>PKG CVN RPK G6 PN 0-2000FT 57DMS</b> (Includes tray components)	<b>1</b>
1	006-702316	VLV MANUAL LUBECOCK 1-1/4	2
2	006-702313	SW GAS PRESSURE ANTUNES LOW 1-6IN WC	1
3	006-702311	SW GAS PRESSURE ANTUNES HIGH 2-16IN WC	1
4	006-702318	VLV BODY V5055C-1059	1
5	006-702319	ACTUATOR 120 VOLTS V5055A-1007	1
6	006-702320	SW (PROOF OF CLOSURE) 133569	1
7	006-702317	VLV SAFETY GAS 1-1/4 ITT261SF02N3GJ7	1
8	006-701527	VLV GAS 1-1/4X1-1/4 NG (1223) V8944B1027	1
	006-702315	VLV GAS 2 STAGE V8944C 1-1/4	1
9	006-701292	MANUAL PILOT B VLV 1/8	1





**Central Heating Unit  
2000-1200 Series  
Gas Train - MASS**

**S/N: 20000 -  
S/N: Current  
PAGE: 2.1.15**

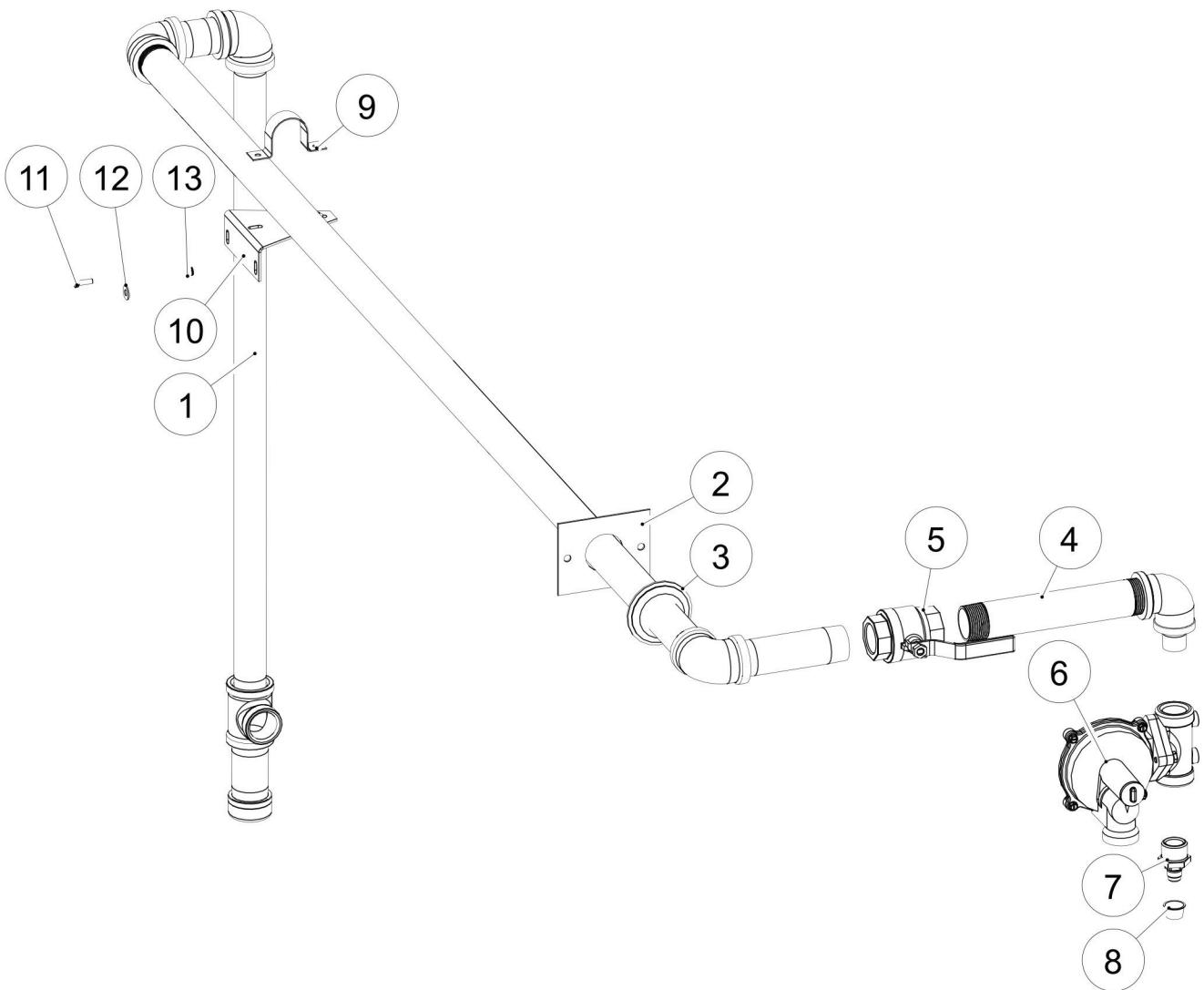


**Central Heating Unit  
2000-1200 Series  
Gas Train - MASS**

**S/N: 20000 -  
S/N: Current  
PAGE: 2.1.16**

Item No.	Part No.	Description	Qty.
	<b>018-703418</b>	<b>PKG CVN RPK MASS NG 0-2000FT 49DMS</b> (Includes tray components)	<b>1</b>
	<b>018-703419</b>	<b>PKG CVN RPK MASS PN 0-2000FT 57DMS</b> (Includes tray components)	<b>1</b>

*Contact DRYAIR Parts Department*

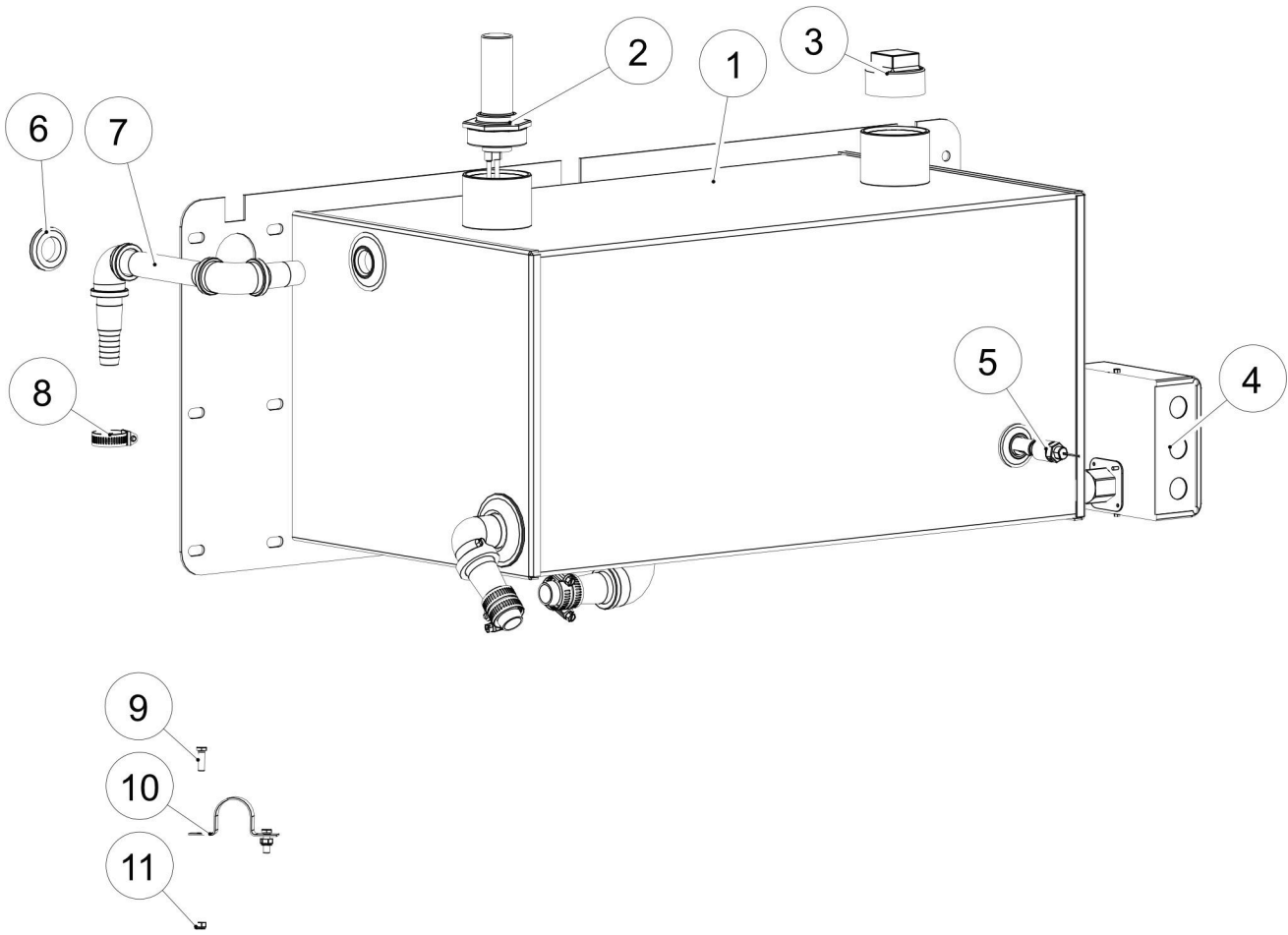




**Central Heating Unit  
2000-1200 Series  
Gasline & Propane Regulator**

S/N: 20000 -  
S/N: Current  
PAGE: 2.1.18

Item No.	Part No.	Description	Qty.
1	018-701626	PKG GASLINE RAYPAK 1200 CAB	1
2	004-701410	BRKT GASLINE DISC MOD2000 CAB RAYPAK	1
3	009-700194	GROM 1.755X2.875 RBR PIPE 1-1/2	1
4	004-704792	PLMB EXT RGLTR PN2000-1200R01	1
5	011-700580	VLV BALL 1-1/2 400WOG FL PT BRS CGA NPTF	1
6	005-701409	RGLTR PN NPT 10PSI 4-16WC SPR RNG ADJ	1
7	011-701770	BSHG RDCG 1X1/2 BRS MXF NPT	1
8	016-702726	PLUG PLSTC 3/4NPT CW PULL TAB	1
9	001-700455	STRP PIPE HGR 1-1/2 LTDTY	1
10	004-701408	BRKT GASLINE CLP MOD2000 CAB RAYPAK	1
11	001-701482	BOLT 1/4X3/4 PLD GR5	2
12	001-700129	WSHR FLT 1/4 PLD	4
13	001-700042	NUT LKG NYL 1/4 UNC PLD	2

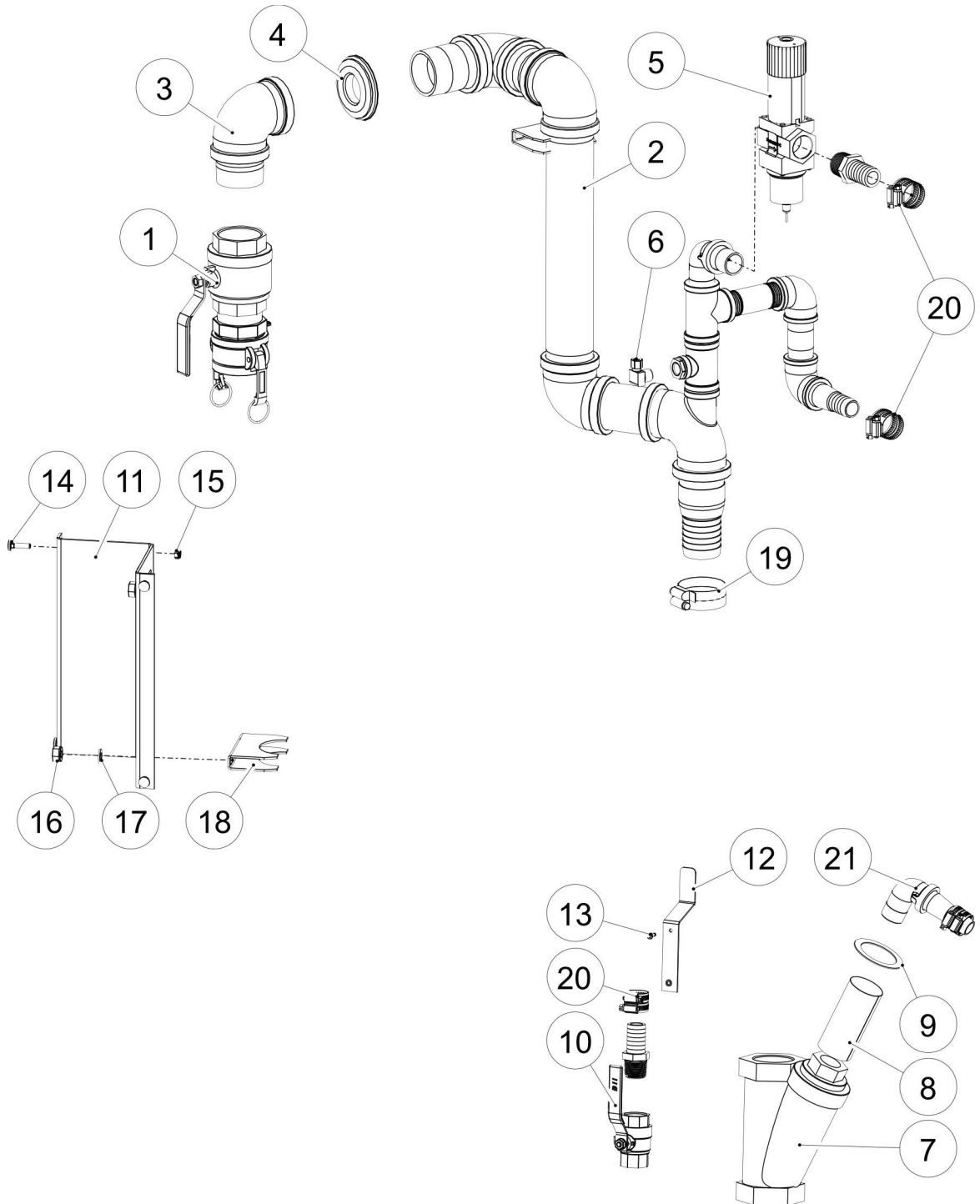




**Central Heating Unit  
2000-1200 Series  
Glycol Tank**

S/N: 20000 -  
S/N: Current  
PAGE: 2.1.20

Item No.	Part No.	Description	Qty.
1	018-701510	GLY TANK SQUARE R01	1
2	005-703701	GAUGE LVL 13IN SS 2IN NPT	1
3	011-700395	PLUG 2 SQ HD MI NPTM CL150/PN20	1
4	006-700191	LOW WATER CUT-OFF CW PROBE	1
5	002-702012	SW-FLOAT FSH-31	1
6	009-700192	GROM 1X1-3/8 RBR MOD 80 COIL	2
7	018-701620	PKG TANK OVERFLOW RAYPAK CAB R01	1
8	001-700275	CLP HOSE HAS16 SLTD HEX HD SS	5
9	001-701482	BOLT 1/4X3/4 PLD GR5	2
10	001-700453	STRP PIPE HGR 1 LTDTY	1
11	001-700042	NUT LKG NYL 1/4 UNC PLD	2
		The following components may not be shown	
	006-901802	PKG GAUGE LVL GLASS(KRUGER SENTRY)	



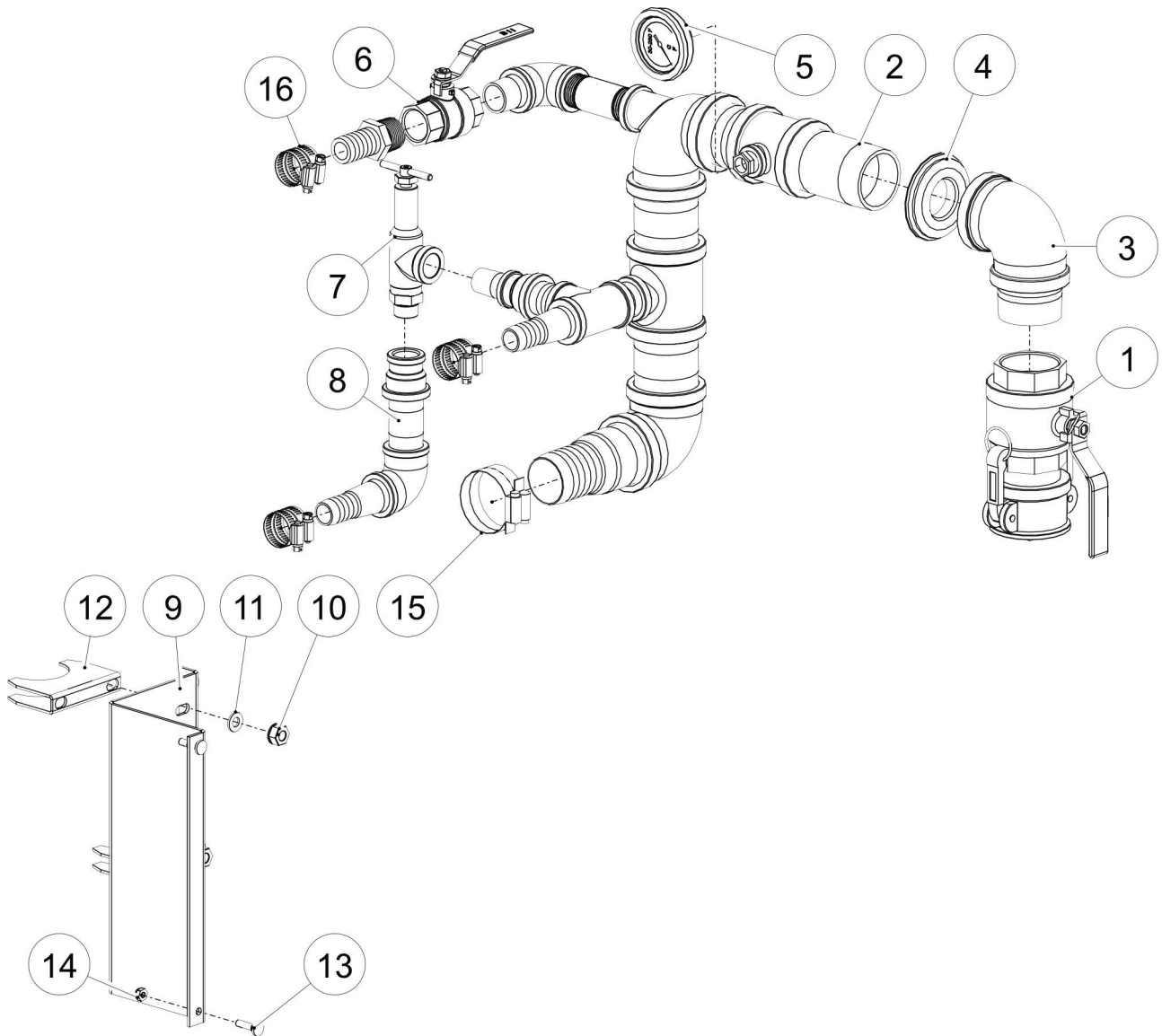


**Central Heating Unit  
2000-1200 Series  
Supply Plumbing**

S/N: 23012 -  
S/N: Current  
PAGE: 2.1.22

Item No.	Part No.	Description	Qty.
1		KAMLOCKS - see page 2.1.25	
2	018-905329	ASSY PLMB SPLY RAYPAK MOD 2000-1200	1
3	018-701619	PKG EXT PLMB RAYPAK CAB	1
4	009-700157	GROM 2.1X3.25 RBR PIPE 2	1
5	005-700120	VLV MOD DANFOSS AVTB 25 1 TEMP REG	1
6	011-701077	CPRSN FTG ELB 1/4TX3/8 90DEG MPT	1
7	011-700083	STRAINER Y 2 CI 20MSCR FNPT (SN: 20000 - 23012)	1
8	006-702400	SCREEN Y-STR 20MESH 2IN (SN: 20000 - 23012)	1
9	011-701177	GSKT 2 Y PATT STR TEFLON (SN: 20000 - 23012)	1
10	011-700366	VLV BALL 1 400WOG FL PT BRS CGA NPTF (SN: 20000 - 23012)	1
11	004-701404	BRKT MTG PLMB MOD2000 CAB RAYPAK	1
12	004-701406	BRKT FLUSH HOSE RTNR MOD2000 CAB RAYPAK (SN: 20000 - 23012)	1
13	001-700803	RIVET 5/32 GRP .3125-.375 SS (SN: 20000 - 23012)	2
14	001-701423	BOLT CRG 1/4X1 PLTD	2
15	001-700042	NUT LKG NYL 1/4 UNC PLD	2
16	001-700721	NUT LKG NYL 3/8 UNC PLD	4
17	001-700719	WSHR FLT 3/8 PLD	4
18	004-700595	SADDLE EXT BODY 2-1/4 MUF CLP 2 PIPE SCH40	2
19	001-700337	CLP HOSE HS32 2-1/2 SLTD HEX HD SS	2
20	001-700275	CLP HOSE HAS16 SLTD HEX HD SS	8
21	011-700103	ELB ST 1X90DEG MI CL150 NPT (SN: 20000 - 23012)	1
		The following components may not be shown	
	001-700596	U-BOLT 3/8X2-1/4X5-1/4 PLD EXT	2



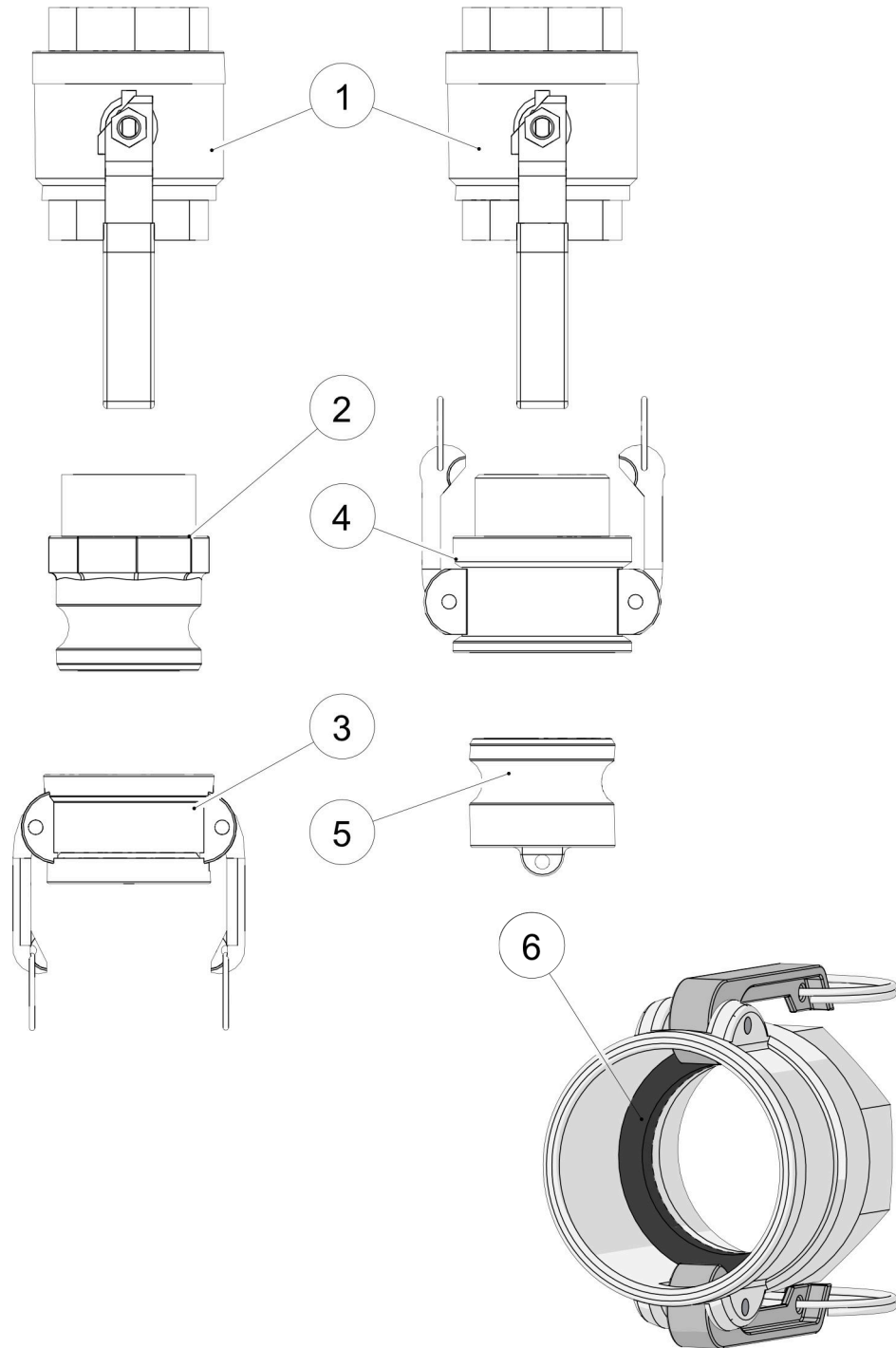




**Central Heating Unit  
2000-1200 Series  
Return Plumbing**

S/N: 20000 -  
S/N: Current  
PAGE: 2.1.24

Item No.	Part No.	Description	Qty.
1		KAMLOCKS - see page 2.1.25	
2	018-701612	PKG PLMB RETURN CAB RAYPAK CAB	1
3	018-701619	PKG EXT PLMB RAYPAK CAB	1
4	009-700157	GROM 2.1X3.25 RBR PIPE 2	1
5	005-700122	GAUGE TEMP 1/2MNPT BIMETAL 0-250F	1
6	011-700366	VLV BALL 1 400WOG FL PT BRS CGA NPTF	1
7	005-700121	VLV BYPASS PRESS RLF 3/4 BRS	1
8	018-701611	PKG PLMB RELIEF VLV RAYPAK CAB	1
9	004-701404	BRKT MTG PLMB MOD2000 CAB RAYPAK	1
10	001-700721	NUT LKG NYL 3/8 UNC PLD	4
11	001-700719	WSHR FLT 3/8 PLD	4
12	004-700595	SADDLE EXT BODY 2-1/4 MUF CLP 2 PIPE SCH40	2
13	001-701423	BOLT CRG 1/4X1 PLTD	4
14	001-700042	NUT LKG NYL 1/4 UNC PLD	4
15	001-700337	CLP HOSE HS32 2-1/2 SLTD HEX HD SS	2
16	001-700275	CLP HOSE HAS16 SLTD HEX HD SS	6
		The following components are included but may not be shown	
	001-700596	U-BOLT 3/8X2-1/4X5-1/4 PLD EXT	2

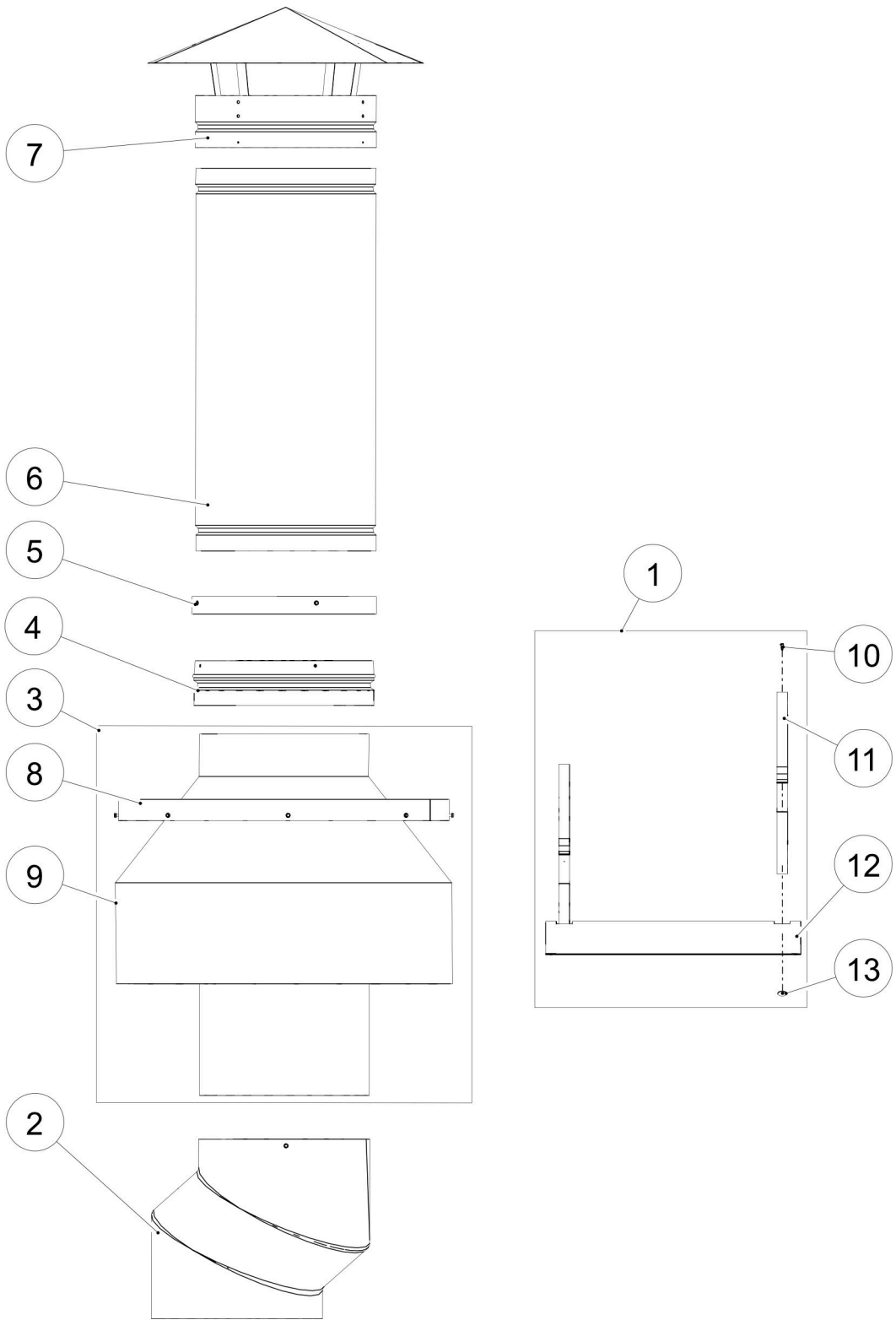




**Central Heating Unit  
2000-1200 Series  
Kamlocks**

S/N: 20000 -  
S/N: Current  
PAGE: 2.1.26

Item No.	Part No.	Description	Qty.
1	011-701442	VLV BALL 2 FL PT CSA/UL	2
2	011-700278	KMLCK 2 PART F ADPTR AL NPTM	1
3	011-700390	KMLCK 2 PART DC DUST CAP AL	1
4	011-700279	KMLCK 2 PART B CPLR AL NPTM	1
5	011-700391	KMLCK 2 PART DP DUST PLUG AL	1
6A	006-702959	GSKT 2IN KMLCK CPLR STD	1
6B	006-702962	GSKT 2IN KMLCK CPLR THICK	1
6C	006-900823	GSKT 2IN KMLCK CPLR SILICONE RBR	1

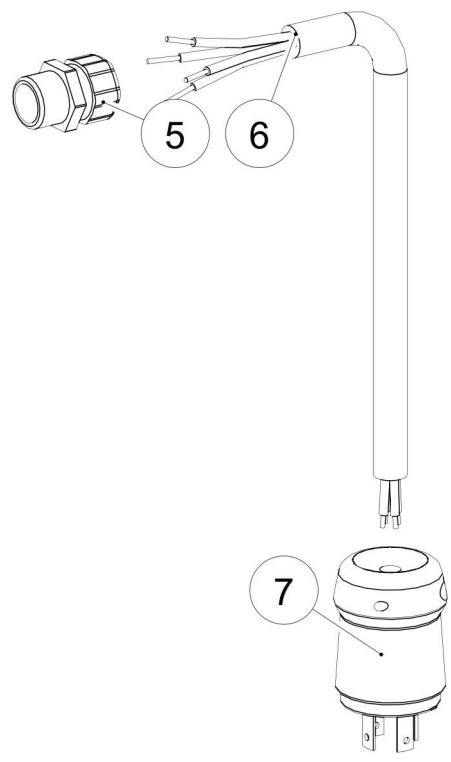
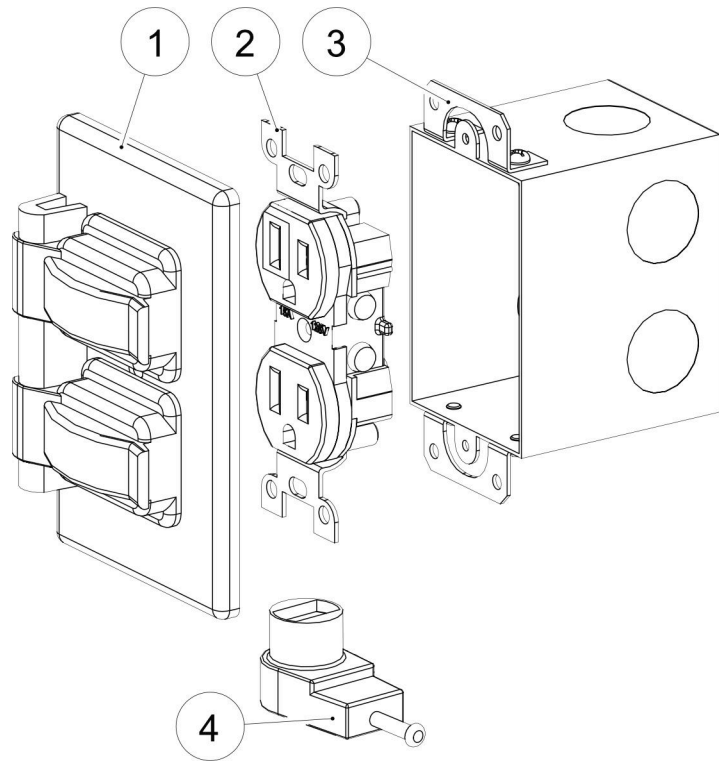




**Central Heating Unit  
2000-1200 Series  
Chimney**

S/N: 20000 -  
S/N: Current  
PAGE: 2.1.28

Item No.	Part No.	Description	Qty.
1	018-702379	PKG CHMNY HOLDER 24X12 (Includes 10-13)	1
	018-903669	PKG CHMNY HOLDER 24X12 PNTD BLUE (Includes 10-13)	1
2	004-701412	ELB ADJ 16X90 24GA GALV	1
3	018-900730	PKG CHMNY DRAFTHOOD MOD 2000-1200 RAYPAK (Includes 8,9)	1
	018-903671	PKG CHMNY DRAFTHOOD MOD 2000-1200 PNTD BLUE (Includes 8,9)	1
4	004-700510	CHMNY DRAFT HOOD CONN 16	1
5	016-701178	CHMNY CAPS STORAGE	1
6	004-700998	CHMNY B-VENT SECT 16X36	1
7	004-700509	CHMNY RAIN CAP 16	1
8	004-701387	ROOF FLSHG FLUE COLLAR MOD2000 CAB RAYPAK	1
	004-903642	ROOF FLSHG FLUE COLLAR MOD2000 PNTD BLUE	1
9	006-701541	CHMNY DRAFTHOOD 1223	1
10	001-700803	RIVET 5/32 GRP .3125-.375 SS	2
11	001-702105	STRP NYL WEB 1X60IN CW CAM BKL	2
12	004-702104	CHMNY HLDR BRKT 24X12IN	1
	004-903663	CHMNY HLDR BRKT 24X12IN PNTD BLUE	1
13	001-701208	WSHR FNDR 7/8X5/32 PLD	2
		The following components may not be shown	
	018-701672	PKG DRAFT HOOD CONN	1





**Central Heating Unit  
2000-1200 Series  
Electrical**

S/N: 20000 -  
S/N: Current  
PAGE: 2.1.30

Item No.	Part No.	Description	Qty.
1	002-701415	CVR RCPT W/P	1
2	002-800037	RCPT DX 15A 120V	1
3	002-701414	BOX RCPT #425	1
4	002-800026	CONNECTOR 3/8 BX/MND/FLEX	1
5	002-700046	CONNECTOR STRN/RLF 3/4 .625-.750 CABLE RNG	1
6	002-700418	CABLE SOW10/4	11FT
7	002-701266	PLUG 1P4W 30A 125/250V M END TWLCK	1





**Central Heating Unit  
2000-1200 Series  
Hoses and Fuel Lines**

S/N: 20000 -  
S/N: Current  
PAGE: 3.1.1

Item No.	Part No.	Description	Qty.
		<b>RETURN PLUMBING TO WATER HEATER</b>	
1	013-700267	HOSE 2 VERSIFLO CW WIRE HELIX	7IN
		<b>WATER HEATER TO PUMP</b>	
2	013-700267	HOSE 2 VERSIFLO CW WIRE HELIX	13IN
		<b>PUMP TO SUPPLY PLUMBING</b>	
3	013-700267	HOSE 2 VERSIFLO CW WIRE HELIX	9IN
		<b>GLYCOL TANK OVERFLOW</b>	
4	010-701861	HOSE 3/4 EXPLORER AIR 50FT L	48IN
		<b>GLYCOL TANK TO RETURN PLUMBING</b>	
5	013-701100	HOSE 1 EXPLORER AIR 50FT LN	105IN
		<b>GLYCOL TANK TO WATER HEATER</b>	
6	013-701100	HOSE 1 EXPLORER AIR 50FT LN	105IN
		<b>DANFOSS TO RETURN PLUMBING</b>	
7	013-701100	HOSE 1 EXPLORER AIR 50FT LN	10IN
		<b>SUPPLY PLUMBING TO PRESSURE RLF VLV</b>	
8	013-701100	HOSE 1 EXPLORER AIR 50FT LN	14IN



# Central Heating Unit 2000-1200 Series Exterior Decals

S/N: 2000 -  
S/N: Current  
PAGE: 4.1.1

1

STARTING UP		TROUBLESHOOTING		INDICATOR LIGHTS	
<b>Initial Setup</b> 1. Make sure there is an adequate amount of the glycol stock in the reservoir (see 023-702021). 2. Verify the glycol level is correct. Verify the glycol level is correct. Verify the glycol level is correct.		<b>INDICATOR LIGHTS</b> No Lights On: Check for correct operation of power source. Check for correct wiring to unit.		<b>INDICATOR LIGHTS</b> On: 22124 (S) On: 87A0N11 On: 22124 (S) On: 87A0N11	
<b>CAUTION</b> - Propane vapor only. Check for propane gas leaks. Check for propane gas leaks. Check for propane gas leaks.		<b>INDICATOR LIGHTS</b> On: 12124 (S) On: 87A0N11 On: 22124 (S) On: 87A0N11		<b>INDICATOR LIGHTS</b> On: 12124 (S) On: 87A0N11 On: 22124 (S) On: 87A0N11	

2



3



4



5

Warning! The system must be filled with heat transfer fluid before it is connected to an electrical supply. Failure to comply could result in damage to the system.

**POWER SUPPLY**  
230 VOLT  
SINGLE PHASE  
CONNECTION  
4-WIRE

**ELECTRICAL CONNECTION**

6

**SAFETY FIRST**  
**LA SÉCURITÉ**

OBSERVE ALL SAFETY PRECAUTIONS AS OUTLINED BY OCCUPATIONAL HEALTH & SAFETY REFER TO SERVICE MANUAL FOR DETAILS

RESPECTEZ TOUTES LES PRÉCAUTIONS COMME INDIQUÉ PAR SANTÉ ET SÉCURITÉ AU TRAVAIL. CONSULTEZ LE MANUEL DE SERVICE POUR LES DÉTAILS

003-700159-R02

7

**FUEL SUPPLY**

CHECK GAS TRAIN LABEL ATTACHED TO BURNER MANIFOLD TO VERIFY FUEL FORMAT

TO BE CONNECTED AND PERMITTED BY A LICENCED SUPPLIER OR GAS FITTER ONLY

OBSERVE ALL PERMIT AND INSPECTION PROCESSES AS REQUIRED BY THE LOCAL AUTHORITY HAVING JURISDICTION

**PROPANE GAS**  
- SUPPLY 10 TO 12 P.S.I. TO THE SECONDARY REGULATOR  
- PROPANE SYSTEMS REQUIRE THE USE OF A LIQUID LINE VAPORIZER

**WARNING!** FAILURE TO OPERATE THE SYSTEM WITHOUT A LIQUID LINE VAPORIZER MAY RESULT IN IMPROPER FUEL COMBUSTION AND MAY EVENTUALLY CAUSE BOILER DAMAGE

**DANGER!** PROPANE VAPOUR ONLY!!

**NATURAL GAS**  
- SUPPLY 6 TO 14 INCHES WC

700231-R1

8

**CAUTION!**  
**ATTENTION!**

**HOT / CHAUD GLYCOL**  
180°F (82°C)

SHUT OFF BALL VALVES BEFORE CONNECTING/DISCONNECTING GAW-LOCKS

LE ROBINET À BILLE DOIT ÊTRE FRÉMÉ AVANT CONNEXION/DÉCONNEXION DE SERRURES

**SUPPLY**  
**ALIMENTATION**

003-702437 R01

9

**CAUTION!**  
**ATTENTION!**

**HOT / CHAUD GLYCOL**  
180°F (82°C)

SHUT OFF BALL VALVES BEFORE CONNECTING/DISCONNECTING GAW-LOCKS

LE ROBINET À BILLE DOIT ÊTRE FRÉMÉ AVANT CONNEXION/DÉCONNEXION DE SERRURES

**RETURN**  
**RETOURNE**

003-702438 R02

Item No.	Part No.	Description	Qty.
1	003-702021	DECAL-TROB SHT LGHTS-MOD2000B	1
2	003-700057	DECAL DRYAIR 20X3.35 05 BLUE VINYL R1	2
3	003-701195	DECAL DRYAIR 12X2 05 BLUE VINYL R1	2
4	003-702655	DECAL HEAT THAW CURE DRY 28X1.79	2
5	003-702862	DECAL ELEC HOOKUP/WARNING 4WIRE	1
6	003-700159	DECAL SAFETY FIRST	1
7	003-700231	DECAL DNGR PN VPR ONLY	1
8	003-702437	DECAL CAUTION SPLY HOT GLY MOD 2100	1
9	003-702438	DECAL CAUTION RETURN HOT GLY MOD 2100	1



Central Heating Unit  
2000-1200 Series  
Exterior Decals

S/N: 2000 -  
S/N: Current  
PAGE: 4.1.2

1

**CAUTION! / ATTENTION!**

**WHEN THE SYSTEM IS OPERATING**

1) ALL CABINET AND WATER HEATER DOOR PANELS MUST BE IN PLACE

2) THE CABINET PANEL AIR INTAKES MUST NOT BE BLOCKED

FAILURE TO FOLLOW THE ABOVE INSTRUCTIONS MAY RESULT IN IMPROPER COMBUSTION AND MAY EVENTUALLY CAUSE WATER HEATER DAMAGE.

DOOR PANELS MUST BE LOCKED WHEN TRANSPORTING

**LORSQUE LE SYSTÈME FONCTIONNE**

1) TOUS LES PANNEAUX DE PORTE ET DE CHAUFFE-EAU DOIVENT ÊTRE EN PLACE

2) LES PRISES D'AIR SUR LE PANNEAU DE L'AIMOIRE NE DOIVENT PAS ÊTRE BLOQUÉES

LE NON-RESPECT DES INSTRUCTIONS CI-DESSUS PEUT ENTRAVER LA COMBUSTION ADEQUATE ET ÉVENTUELLEMENT CAUSER DES DOMMAGES AU CHAUFFE-EAU

LES PANNEAUX DE PORTE DOIVENT ÊTRE VERROILLÉS LORS DU TRANSPORT

003-701118-002

2

GLYCOL/WATER GLYCOL/EAU GLYCOL/WATER GLYCOL/EAU

003-701118-002

3

**ATTENTION!**

REMOVE SHIPPING PLUG FROM GLYCOL RESERVOIR OVERFLOW/VENT OUTLET ELBOW BEFORE FIRING WATER HEATER.

CALL 1-888-750-1700 IF ASSISTANCE IS REQUIRED

RETIRER EXPÉDITION RICHE DE GLYCOL RESERVOIR L'ORIFICE DE DÉBOYEREMENT SORTIE COUDE AVANT CUISSON CHAUFFE-EAU.

APPEL 1-888-750-1700 SI ASSISTANCE EST EXIGÉE

4

**CAUTION! / ATTENTION!**

**DO NOT BLOCK THIS OUTLET**

THIS OUTLET SERVES AS THE CIRCULATION SYSTEM FLUID RESERVOIR VENT AND OVERFLOW

BLOCKING THE OUTLET WOULD CAUSE UNDESIRABLE CIRCULATION SYSTEM PRESSURE BUILD-UP RESULTING IN WATER HEATER SHUT-DOWN

**NE BLOQUEZ PAS CETTE SORTIE**

CETTE SORTIE SERT D'ÉVENT ET DÉBOYEREMENT DU RESERVOIR À FLUIDE DE SYSTÈME DE CIRCULATION

LE BLOCCAGE DE LA SORTIE PEUT CAUSER UNE ACCUMULATION DE PRESSION DU SYSTÈME DE CIRCULATION INDESIRABLE RESULTANT EN ARRÊT DE CHAUFFE-EAU

003-701456-R03

5

**ATTENTION!**

**DO NOT BLOCK REGULATOR VENT OUTLET**

REGULATOR VENTS MUST BE TERMINATED IN ACCORDANCE WITH THE REQUIREMENTS OF THE LOCAL AUTHORITY HAVING JURISDICTION PRIOR TO THE OPERATION OF THIS APPLIANCE

**NE PAS BLOQUER REGULATEUR SORTIE DE VENTILATION**

BOUCHES REGULATEUR DOIT ÊTRE TERMINÉ CONFORMEMENT AUX EXIGENCES DE LA JURIDICTION AYANT DES COLLECTIVITES LOCALES AVANT LE FONCTIONNEMENT DE CET APPAREIL

003-703148

6

**BOSS**  
LUBRICANTS

**PROPYLENE GLYCOL**  
Heat Transfer Fluid

Multigrade 100%  Cont 100%  PG 100%  
Multigrade 0040  Cont 0040  PG 0040  
Multigrade 0050  Cont 0050  PG 0050  
Multigrade 3070  Cont 3070  PG 3070

**TOXIC MATERIAL PRECAUTION:**  
This fluid is a caustic base with a very strong odor. It is highly flammable. It may cause skin irritation. It may cause severe eye irritation. It may cause respiratory irritation. It may cause throat irritation. It may cause burns on contact with skin. It may cause severe burns on contact with eyes. It may cause severe damage to the environment.

**PREMIER DANGER:**  
Ce fluide est corrosif et très inflammable. Il a une odeur très forte. Il peut irriter la peau. Il peut causer de graves blessures aux yeux. Il peut irriter les voies respiratoires. Il peut irriter la gorge. Il peut causer des brûlures au contact de la peau. Il peut causer de graves brûlures au contact des yeux. Il peut causer de graves dommages à l'environnement.

**PRECAUTIONS PARTICULIÈRES:**  
Prenez des précautions. Évitez le contact de ce fluide avec la peau, les yeux et les vêtements. Évitez le contact de ce fluide avec les surfaces peintes.

BOSS LUBRICANTS  
0001 Water 750, 150, 100, 75, 50, 30, 25, 10, 5, 3, 1.5, 0.75, 0.375, 0.1875, 0.09375

GANARDIAN

7

**HEAT TRANSFER FLUID LEVEL**

SAFE OPERATING RANGE BETWEEN 1/4 and 3/4 ON THE LEVEL GAUGE

CHECK FLUID LEVELS DAILY  
USE ONLY APPROVED ANTIFREEZE (HTF) / WATER MIXTURE

**NIVEAU DE FLUIDE CALOPORTEUR**

GAMME DE FONCTIONNEMENT SÛRE ENTRE 1/4 ET 3/4 SUR LA JAUGE DE NIVEAU

VÉRIFIEZ LES NIVEAUX DE FLUIDE QUOTIDIENNEMENT

UTILISEZ MÉLANGE D'ANTIGEL FLUIDE CALOPORTEUR/D'EAU

003-701454-003

8

**ATTENTION!**

This unit is Certified to CSA & UL Standards for use as a NON-PRESSURE VESSEL.

Cet appareil est certifié aux normes de CSA et UL pour l'utilisation comme un NAVIRE SANS PRESION.

The unit includes an open atmospherically vented expansion tank.

L'appareil inclut un réservoir d'expansion atmosphérique ventilé.

The expansion tank is integrally connected to the heat exchanger section of the water heater by means of a permanently open line (no valves).

Le réservoir d'expansion est relié intégralement à la section d'échange de chaleur du chauffe-eau au moyen d'une ligne ouverte en permanence (pas de vannes).

The heat exchanger section connects to the rear side of the circulating pump and therefore only admits atmospheric pressure to present behind the heat exchanger section.

La section d'échange de chaleur se connecte à la côté arrière de la pompe de circulation et donc, seulement la pression atmosphérique reçue est présente à l'arrière de la section d'échange de chaleur.

The pressure relief valve shall be installed on the heat exchanger section (function only as a secondary level of safety in the event that the tank vent becomes blocked).

La soupape de décompression installée sur la section d'échange de chaleur fonctionne seulement comme un niveau de sécurité secondaire dans le cas où l'évent du réservoir devient bloqué.

003-703735R02

Item No.	Part No.	Description	Qty.
1	003-701447	DECAL CAUTION KEEP PANELS	4
2	003-701118	DECAL GLY/WTR STRIP R01	1
3	003-703263	DECAL ATTN REMOVE SHPNG PLUG	1
4	003-701456	DECAL VENT/OVERFLOW	1
5	003-703148	DECAL RGLTR VENT INSTR PN	1
6	003-906384	DECAL GLYCOL SAFETY	1
7	003-701454	DECAL HTF FLUID LEVELS	1
8	003-703735	DECAL NON-PRESS VESSEL 4X4.5	1



# Central Heating Unit 2000-1200 Series Interior Decals

S/N: 20000 -  
S/N: Current  
PAGE: 4.1.3

**1**

**2**

**3**

**4**

ADJUSTMENTS MUST BE DONE BY A QUALIFIED TECHNICIAN ONLY  
ADJUSTMENTS DOIVENT ÊTRE FAITS PAR UN TECHNICIEN QUALIFIÉ SEULEMENT

**DO NOT ADJUST!  
N'AJUSTEZ PAS!**

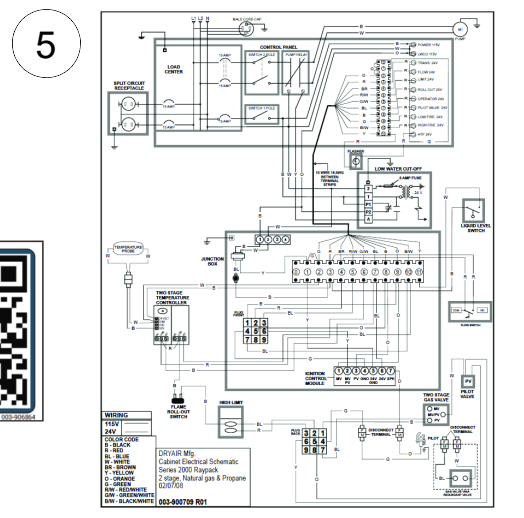
003-700172-R02

**6**

**ANGER** 220 VOLTS

**7**

Pump  
Water Heater  
Plug - top  
Plug - bottom



Item No.	Part No.	Description	Qty.
1	003-702020	DECAL-LIGHTS AND GAUGES-MOD2000B	1
2	003-702912	DECAL VINYL XTERM 0-11 VERT	1
3	003-702834	DECAL XTERM 0-11 HORIZ	1
4	003-700172	DECAL DO NOT ADJ	4
5	003-900709	DECAL ELEC SCHEM STD MOD 2000-1200 PS 1377-	1
6	003-700162	DECAL DNGR 220V	1
7	003-701500	DECAL BREAKER DESIGNATION	1
8	003-906744	DECAL QR OP MAN 1200 CHU	1
9	003-906864	DECAL QR VIDEOS 1200CHU	1



---

Central Heating Unit 2000-1200 Series  
S/N: 20000 - Current

Part No. 023-903682  
Rev. 02 04-20-2023