



Heat

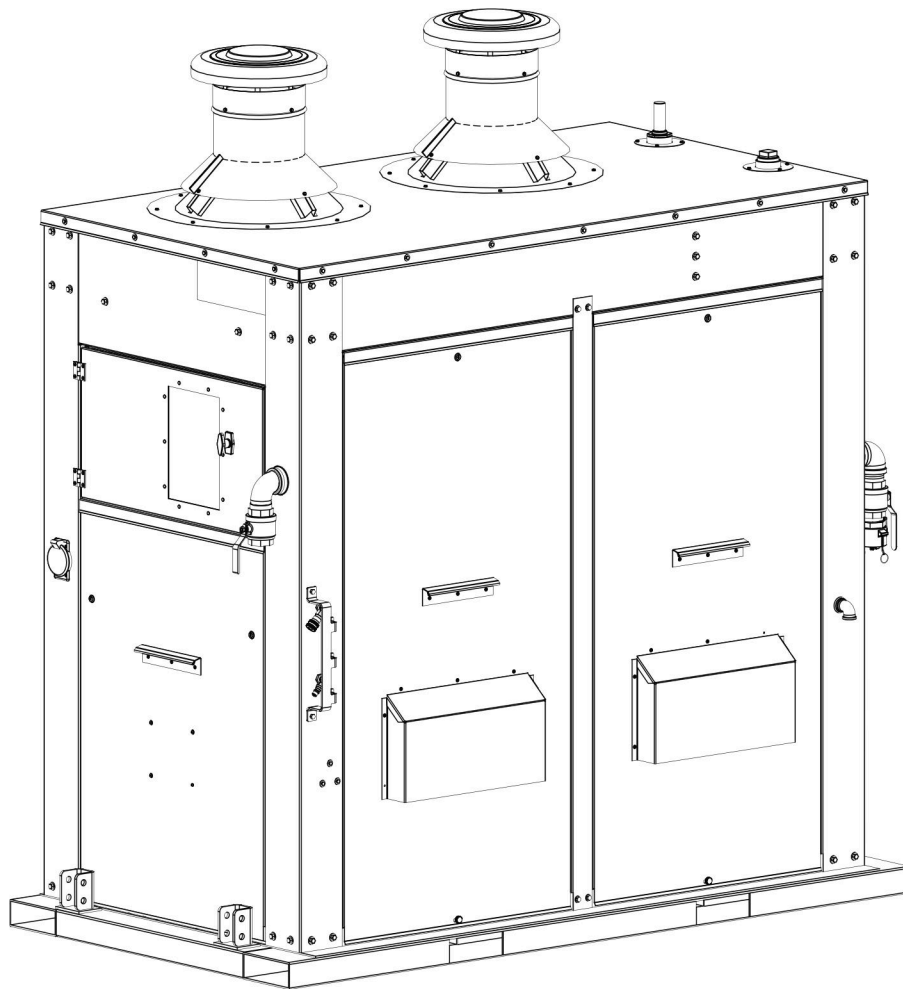
Dry

Thaw

Cure

PARTS CATALOGUE

Central Heating Unit
2100-DG-1800 Series

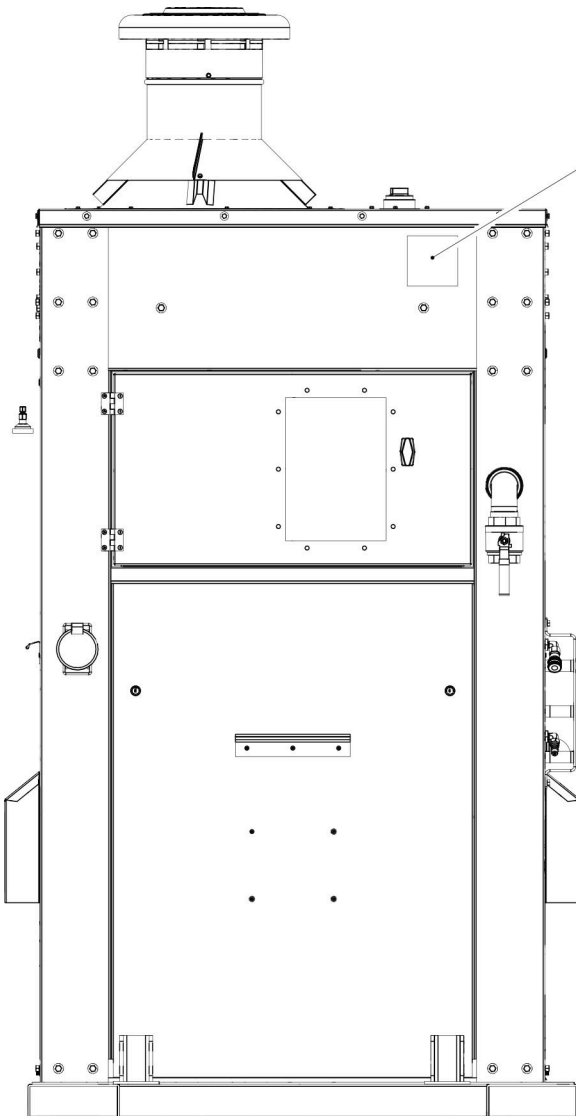


DRYAIR MANUFACTURING CORP.
PO BOX 126, 400 SERVICE ROAD
ST. BRIEUX, SK S0K 3V0
CANADA
www.dryair.ca

Tel: 1 (306) 275-4848
Toll-Free: 1 (888) 750-1700
Fax: 1 (306) 275-4664
Email: parts@dryair.ca



Central Heating Unit 2100-DG-1800 Series Serial Number Location



DRYAIR P.O. Box 126
400 Service Road
St. Simons, GA
Canada
S0K 0V0

MADE IN CANADA

DRYAIR Model:		Reference:					
Serial No.:		Prod. Sched.:					
Main Power		Oil Burner		Natural Gas Burner		Propane Gas Burner	
Volts:	240 V(2L N/G)	Model:	Riello 40-F20	Model:	Riello 40-0900	Model:	Riello 40-0900
Phase:	1	Fuel:	#1 Heating Oil	Fuel:	Natural Gas	Fuel:	Propane Gas
Hz:	60 Hz	Caloric Value:	140,000 BTU / US Gal 136,000 BTU / UK Gal	Caloric Value:	1000 BTU/CF	Caloric Value:	2500 BTU/CF
Max. Amperage:	30 A	Output:	BTU/H	BTU/H	BTU/H	BTU/H	BTU/H
Control Voltage:	120/240VAC	Fuel Input:	US GPH	US GPH	US GPH	US GPH	US GPH
Min. Circuit Ampacity:	A	Pump Pressure:	PSI	PSI	PSI	PSI	PSI
Max. Overcurrent Protection:	A	Clearances:		Clearances:		Clearances:	
		Back:	24" (610mm) minimum	Back:	24" (610mm) minimum	Back:	24" (610mm) minimum
		Side:	30" (762mm) minimum	Side:	30" (762mm) minimum	Side:	30" (762mm) minimum
		Floor:	0" (0mm) non-combustible	Floor:	0" (0mm) non-combustible	Floor:	0" (0mm) non-combustible

Complies to:
ANSI Z21.13

TUV
100
US

50-90389 R02



**Central Heating Unit
2100-DG-1800 Series
Table of Contents**

Master Assembly 1.1.1

Cabinet 1.1.3

Control Panel Door 1.1.5

Control End Door 1.1.7

Tank End Door 1.1.9

Side Door 1.1.11

Primary Heat Exchanger 2.1.1

Secondary Heat Exchanger 2.1.3

Heat Exchanger 2.1.5

Glycol Preheater 2.1.7

Control Panel 3.1.1

Air Preheater 4.1.1

Pump Components 5.1.1

Fuel Preheater 6.1.1

Burner 7.1.1

Glycol Tank 8.1.1

Supply Plumbing 9.1.1

Return Plumbing 9.1.3

Gas Feed Line 10.1.1

Gas Train 10.1.3

Chimney 11.1.1

High Limit Remote 12.1.1

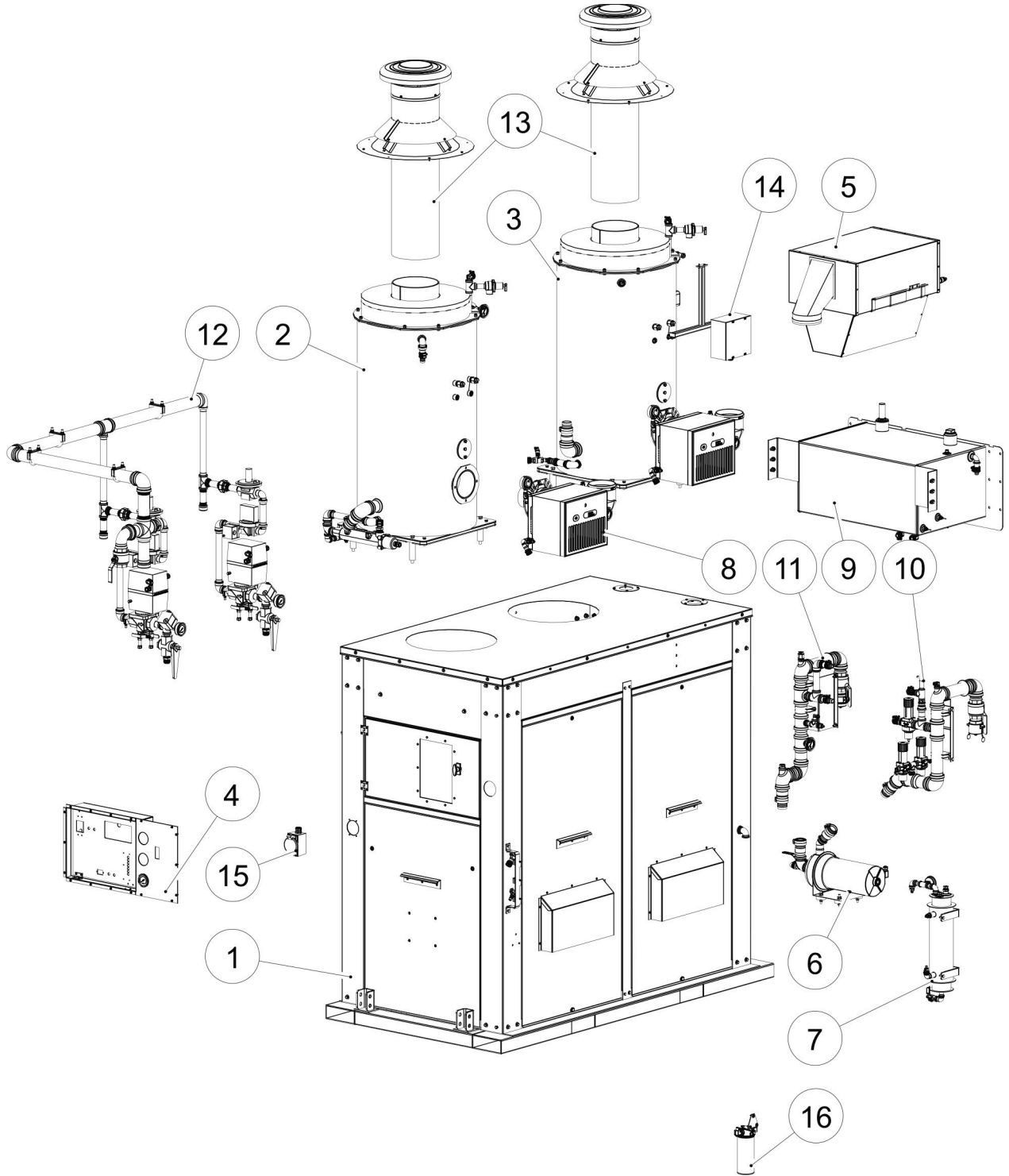
Electrical 13.1.1

Fuel Components 14.1.1

Lift Frame 15.1.1

Hoses and Fuel Lines 16.1.1

Decals 17.1.1

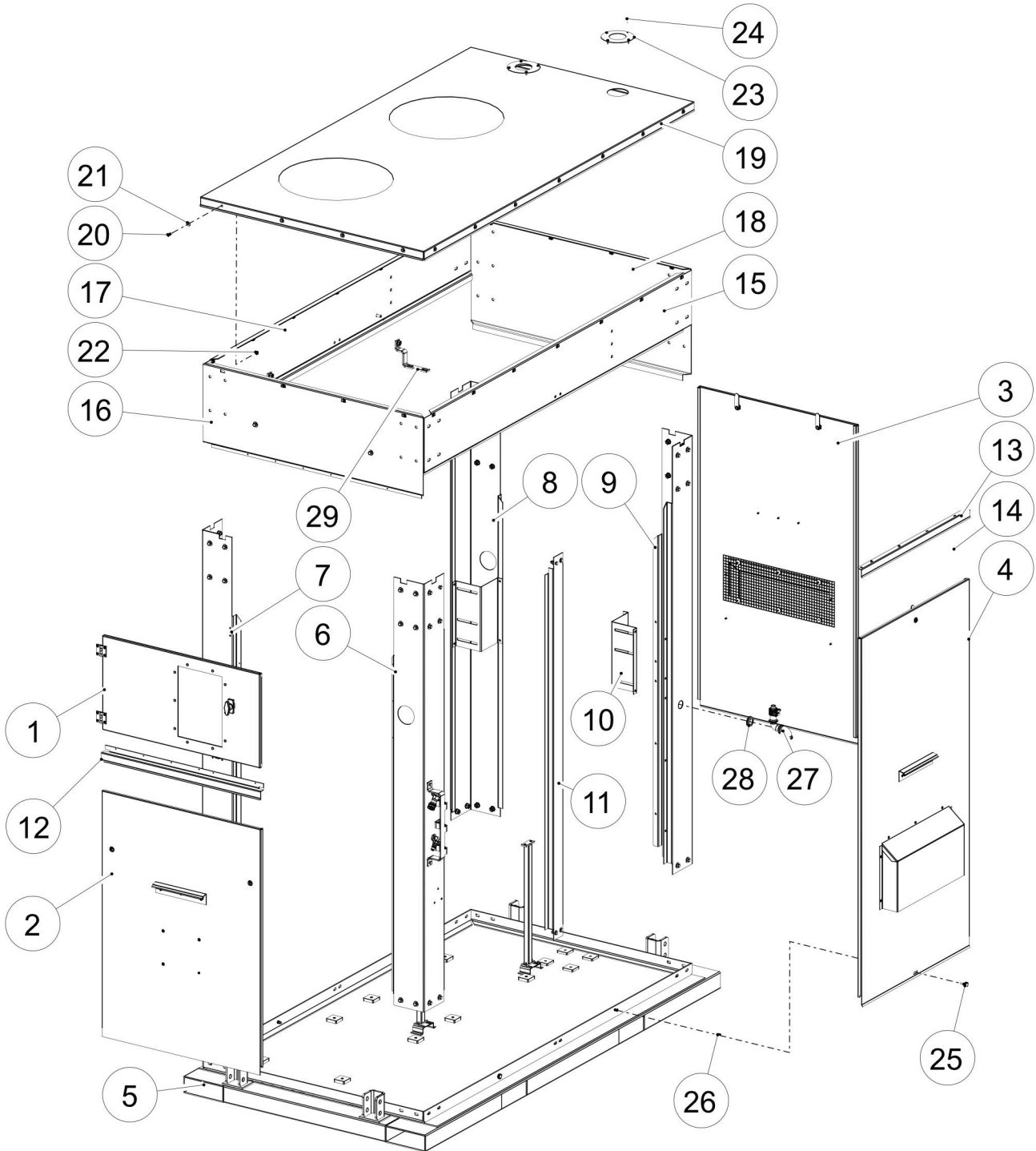




**Central Heating Unit
2100-DG-1800 Series
Master Assembly**

S/N: 23037 -
S/N: Current
PAGE: 1.1.2

Item No.	Part No.	Description	Qty.
1		CABINET - see page 1.1.3	
2		PRIMARY HEAT EXCHANGER - see page 2.1.1	
3		SECONDARY HEAT EXCHANGER - see page 2.1.3	
4		CONTROL PANEL - see page 3.1.1	
5		AIR PREHEATER - see page 4.1.1	
6		PUMP - see page 5.1.1	
7		FUEL PREHEATER - see page 6.1.1	
8		BURNER - see page 7.1.1	
9		GLYCOL TANK - see page 8.1.1	
10		SUPPLY PLUMBING - see page 9.1.1	
11		RETURN PLUMBING - see page 9.1.3	
12		GAS TRAIN - see page 10.1.1	
13		CHIMNEY - see page 11.1.1	
14		HIGH LIMIT REMOTE - see page 12.1.1	
15		ELECTRICALS - see page 13.1.1	
16		FUEL FILTER - see page 14.1.1	

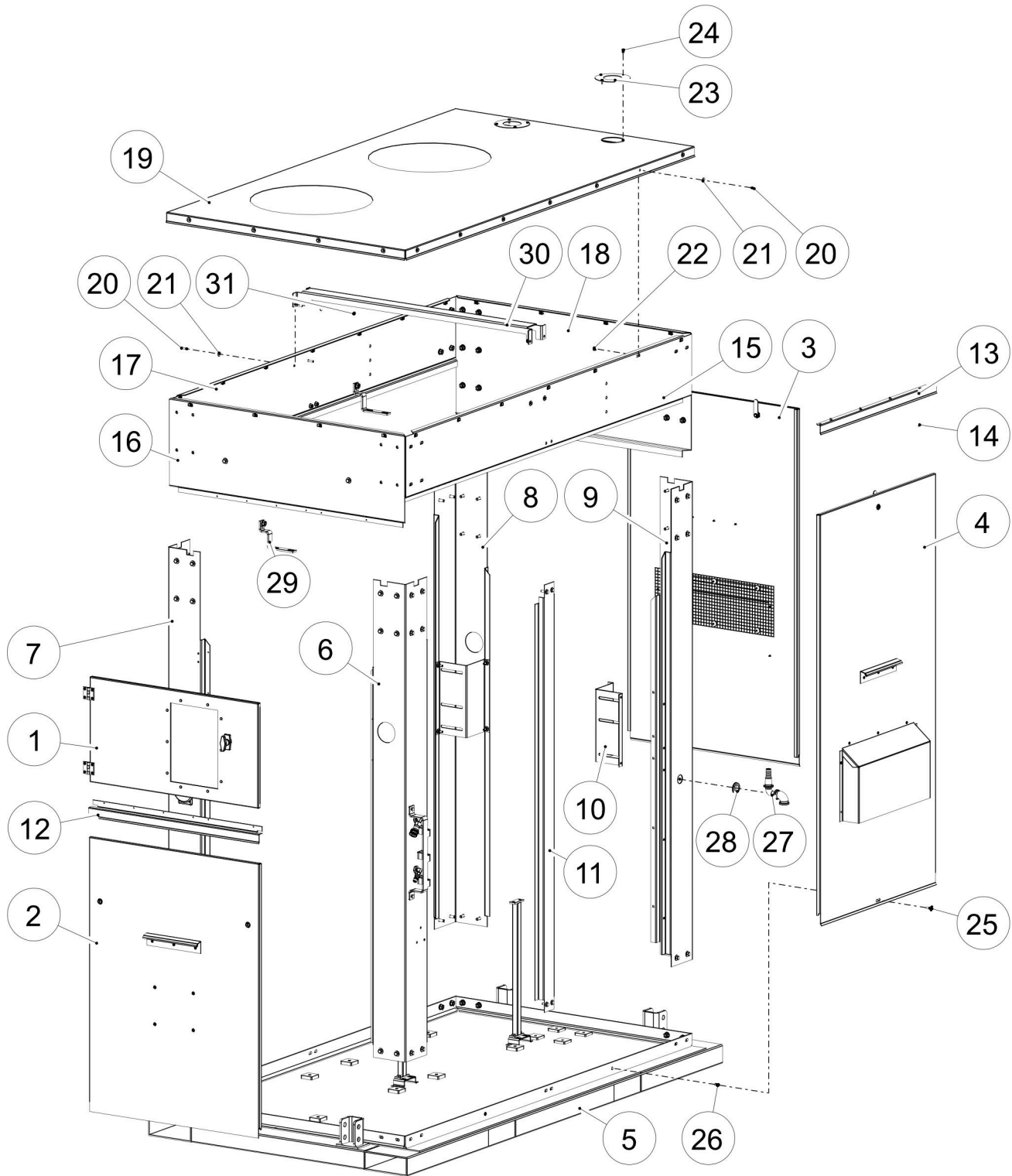




**Central Heating Unit
2100-DG-1800 Series
Cabinet**

S/N: 23037 -
S/N: 23103
PAGE: 1.1.4

Item No.	Part No.	Description	Qty.
1		CONTROL PANEL DOOR - see page 1.1.5	
2		CONTROL END DOOR - see page 1.1.7	
3		TANK END DOOR - see page 1.1.9	
4		SIDE DOOR - see page 1.1.11	
5	004-905912	BASE 2100-1800 TUBE STYLE	1
6	004-905652	CORNER POST RIGHT FRT 2100-1800	1
	004-906287	CORNER POST RIGHT FRT 2100-1800 PNTD BLUE	1
7	004-905651	CORNER POST LEFT FRT 2100-1800	1
	004-906286	CORNER POST LEFT FRT 2100-1800 PNTD BLUE	1
8	004-905640	CORNER POST LEFT REAR 2100-1800	1
	004-906289	CORNER POST LEFT REAR 2100-1800 PNTD BLUE	1
9	004-905632	CORNER POST RIGHT REAR 2100-1800	1
	004-906288	CORNER POST RIGHT REAR 2100-1800 PNTD BLUE	1
10	004-702479	BRKT PLMB MOUNT MOD 2100-0900 CAB R01	2
	004-903603	BRKT PLMB MNT 2100 CAB PNTD BLUE	2
11	004-905642	POST DOOR SIDE 2100-1800	2
	004-906298	POST DOOR SIDE 2100-1800 PNTD BLUE	2
12	004-905661	RTNR DOOR FRT 2100-1800	1
	004-906296	RTNR DOOR FRT 2100-1800 PNTD BLUE	1
13	004-905692	RTNR DOOR SIDE 2100-1800	4
	004-906297	RTNR DOOR SIDE 2100-1800 PNTD BLUE	4
14	001-901203	RIVET 5/32 GRP .126 -.250 SS	24
15	004-905646	PNL TOP RAIL RIGHT 2100-1800	1
	004-906283	PNL TOP RAIL RIGHT 2100-1800 PNTD BLUE	1
16	004-905653	PNL TOP RAIL FRT 2100-1800	1
	004-906282	PNL TOP RAIL FRT 2100-1800 PNTD BLUE	1
17	004-905645	PNL TOP RAIL LEFT 2100-1800	1
	004-906284	PNL TOP RAIL LEFT 2100-1800 PNTD BLUE	1
18	004-905641	PNL TOP RAIL REAR 2100-1800	1
	004-906285	PNL TOP RAIL REAR 2100-1800 PNTD BLUE	1
19	004-905631	PNL ROOF 2100-1800	1
	004-906281	PNL ROOF 2100-1800 PNTD BLUE	1
20	001-700739	BOLT 1/4X1 PLD GR5	22
21	001-700129	WSHR FLT 1/4 PLD	35
22	001-900761	NUT PNL RTNR 1/4	22
23	004-702478	DISC ROOF FLSHG MOD 2100 CAB R01	2
24	001-703424	SCRW D/T 10-16X5/8 5/16HEX HD PLD	8
25	001-902717	BOLT 1/4X7/8 UNC KNUURL PLSTC HD	4
26	001-703408	INSERT THD 1/4 UNC RND BODY .027-.165 GRP	4
	001-902760	NUT CLP 1/4X20	4
27	018-702637	PKG PLMB GLY TANK OVFL MOD 2100	1
28	009-700192	GROM 1X1-3/8 RBR MOD 80 COIL	1
29	004-905649	BRKT GAS TRAIN SPRT 2100-1800	4
		The following components may not be shown	
	009-703173	GROM 9/32IDX5/8ODX1/16GRV RBR 1/4TUBE	1
	011-701175	CPRSN FTG CON 1/4TX1/4 FPT	1
	011-901721	VENT UMBRELLA TYPE 1/4 MNPT	1

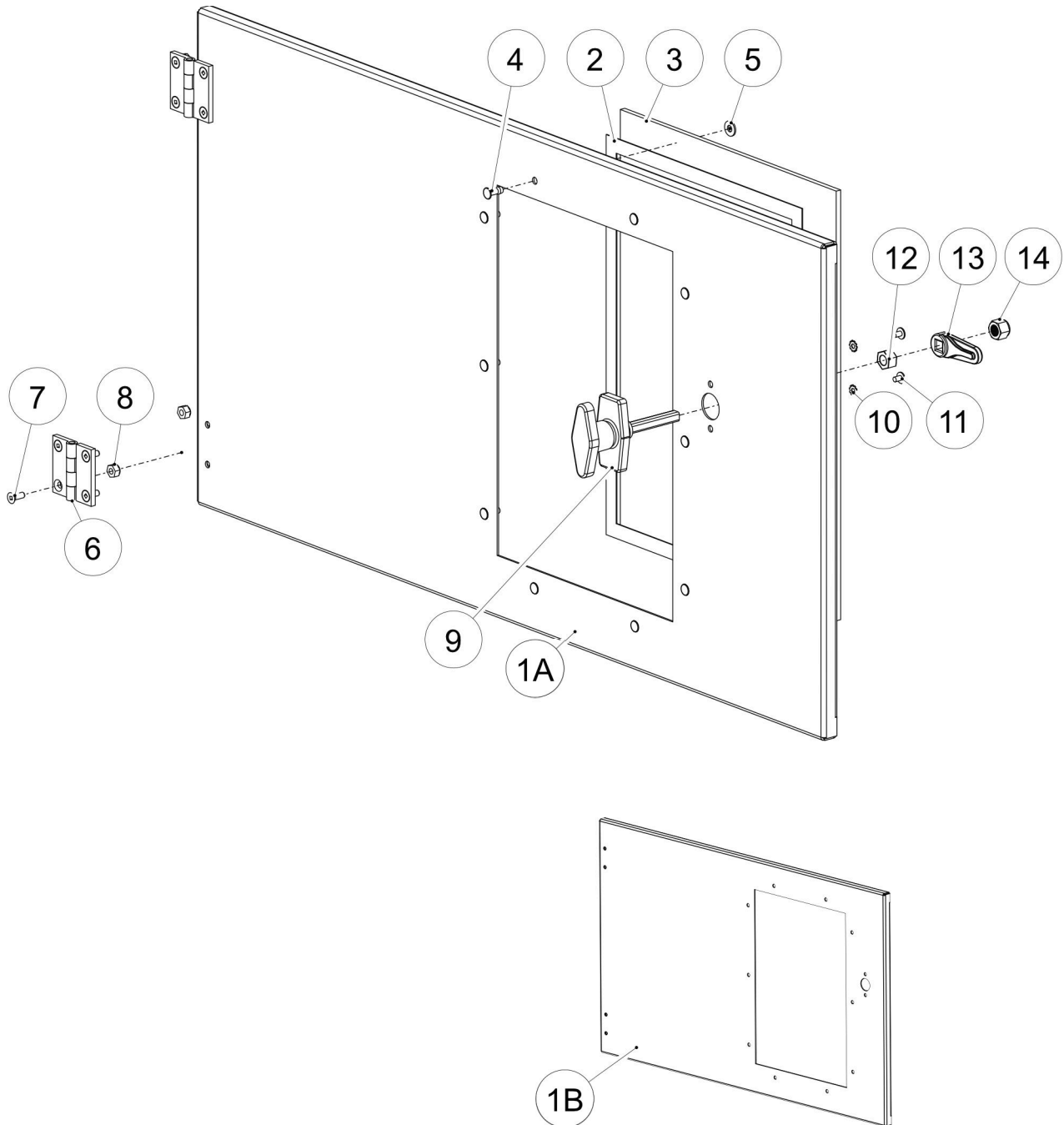




**Central Heating Unit
2100-DG-1800 Series
Cabinet**

S/N: 23134 -
S/N: Current
PAGE: 1.2.4

Item No.	Part No.	Description	Qty.
1		CONTROL PANEL DOOR - see page 1.1.5	
2		CONTROL END DOOR - see page 1.1.7	
3		TANK END DOOR - see page 1.1.9	
4		SIDE DOOR - see page 1.1.11	
5	004-905912	BASE 2100-1800 TUBE STYLE	1
6	004-905652	CORNER POST RIGHT FRT 2100-1800	1
	004-906287	CORNER POST RIGHT FRT 2100-1800 PNTD BLUE	1
7	004-905651	CORNER POST LEFT FRT 2100-1800	1
	004-906286	CORNER POST LEFT FRT 2100-1800 PNTD BLUE	1
8	004-905640	CORNER POST LEFT REAR 2100-1800	1
	004-906289	CORNER POST LEFT REAR 2100-1800 PNTD BLUE	1
9	004-905632	CORNER POST RIGHT REAR 2100-1800	1
	004-906288	CORNER POST RIGHT REAR 2100-1800 PNTD BLUE	1
10	004-702479	BRKT PLMB MOUNT MOD 2100-0900 CAB R01	2
	004-903603	BRKT PLMB MNT 2100 CAB PNTD BLUE	2
11	004-905642	POST DOOR SIDE 2100-1800	2
	004-906298	POST DOOR SIDE 2100-1800 PNTD BLUE	2
12	004-905661	RTNR DOOR FRT 2100-1800	1
	004-906296	RTNR DOOR FRT 2100-1800 PNTD BLUE	1
13	004-905692	RTNR DOOR SIDE 2100-1800	4
	004-906297	RTNR DOOR SIDE 2100-1800 PNTD BLUE	4
14	001-901203	RIVET 5/32 GRP .126 -.250 SS	24
15	004-905646	PNL TOP RAIL RIGHT 2100-1800	1
	004-906283	PNL TOP RAIL RIGHT 2100-1800 PNTD BLUE	1
16	004-905653	PNL TOP RAIL FRT 2100-1800	1
	004-906282	PNL TOP RAIL FRT 2100-1800 PNTD BLUE	1
17	004-905645	PNL TOP RAIL LEFT 2100-1800	1
	004-906284	PNL TOP RAIL LEFT 2100-1800 PNTD BLUE	1
18	004-905641	PNL TOP RAIL REAR 2100-1800	1
	004-906285	PNL TOP RAIL REAR 2100-1800 PNTD BLUE	1
19	004-905631	PNL ROOF 2100-1800	1
	004-906281	PNL ROOF 2100-1800 PNTD BLUE	1
20	001-700739	BOLT 1/4X1 PLD GR5	26
21	001-700129	WSHR FLT 1/4 PLD	43
22	001-900761	NUT PNL RTNR 1/4	22
23	004-702478	DISC ROOF FLSHG MOD 2100 CAB R01	2
24	001-703424	SCRW D/T 10-16X5/8 5/16HEX HD PLD	8
25	001-902717	BOLT 1/4X7/8 UNC KNURL PLSTC HD	4
26	001-703408	INSERT THD 1/4 UNC RND BODY .027-.165 GRP	4
	001-902760	NUT CLP 1/4X20	4
27	018-702637	PKG PLMB GLY TANK OVFL MOD 2100	1
28	009-700192	GROM 1X1-3/8 RBR MOD 80 COIL	1
29	004-905649	BRKT GAS TRAIN SPRT 2100-1800	4
30	004-906596	BRACE ROOF SPRT 2100-1800 CHU	1
	004-906605	BRACE ROOF SPRT 2100-1800 CHU PNTD BLUE	1
31	001-700042	NUT LKG NYL 1/4 UNC PLD	4
		The following components may not be shown	
	009-703173	GROM 9/32IDX5/8ODX1/16GRV RBR 1/4TUBE	1
	011-701175	CPRSN FTG CON 1/4TX1/4 FPT	1
	011-901721	VENT UMBRELLA TYPE 1/4 MNPT	1

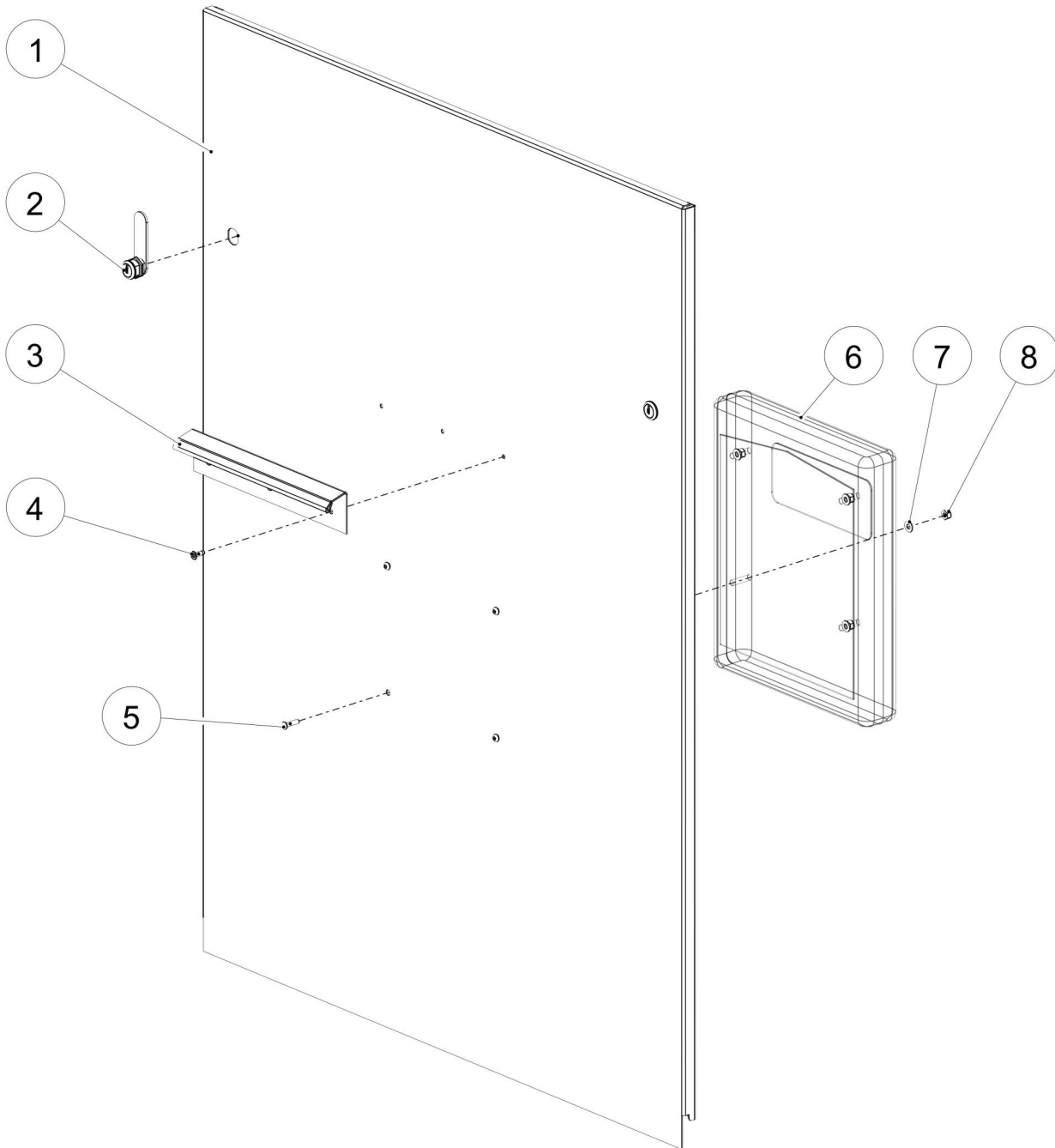




**Central Heating Unit
2100-DG-1800 Series
Control Panel Door**

S/N: 23037 -
S/N: Current
PAGE: 1.1.6

Item No.	Part No.	Description	Qty.
	018-905803	PKG DOOR CTRL PNL 2100-1800 STD (Includes 1-14)	1
	018-906290	PKG DOOR CTRL PNL 2100-1800 STD PNTD BLUE (Includes 1-14)	1
	018-905704	PKG DOOR CTRL PNL 2100-1800 LIFT FRAME (Includes 1B-14)	1
	018-905858	PKG HNDL T-LKG CHROME 2.5IN CH751 CW CAM & NUT Includes 9-14)	1
1A	004-905719	PNL DOOR CTRL STD 2100-DG-1800 (SN: 186301 - Current)	1
	004-906277	PNL DOOR CTRL STD 2100-DG-1800 PNTD BLUE (SN: 186301 - Current)	1
1B	004-905654	PNL DOOR CRTL 2100-1800 (SN: 183501 - 185306)	1
2	009-703960	TAPE 3M VHB-5925 2-SIDED 1/2W	50.5"
3	004-904675	WINDOW POLY CARB 10.75X14.5	1
4	001-901250	RIVET 3/16D X 1/2GRP ALUM	10
5	001-701185	WSHR FLT #10 SAE PLD	10
6	017-900607	HINGE SURFACE-MT 316 SS POLISHED 2H X 2W	2
7	001-904283	SCRW MACH 10-24X1/2L FLAT HD ZNC SQ DR	8
8	001-703910	NUT LKG #10-24 SS UNC	8
9	017-904514	HNDL T-LKG CHROME 2.5IN THRD SHAFT CH751 KEY	1
10	001-900778	WSHR STAR #8 STUD EXT TOOTH	2
11	001-900779	SCRW MACH 8-32X1/4 PANHEAD	2
12	001-704695	NUT 3/8-24 UNF	1
13	017-704694	LOCK CAM C15 ZINC	1
14	001-903811	NUT LKG NYL 3/8 UNF 24THRD GR5 PLD	1
		The following components may not be shown	
	006-904755	KEY CH751 T-LKG HNDL CHROME 4IN	

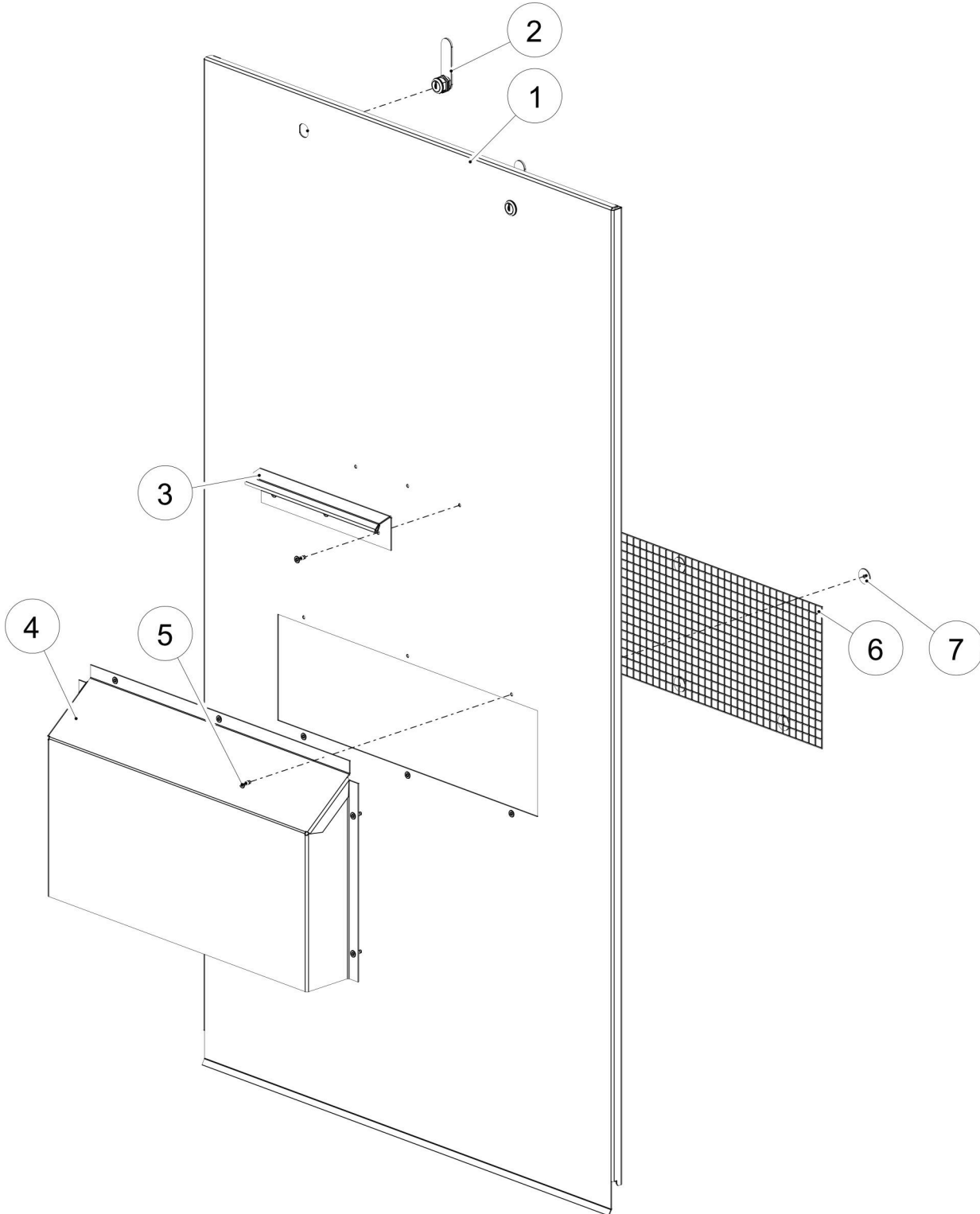




**Central Heating Unit
2100-DG-1800 Series
Control End Door**

S/N: 23037 -
S/N: Current
PAGE: 1.1.8

Item No.	Part No.	Description	Qty.
	018-905691	PKG CTRL END DOOR 2100-1800 (Includes 1-8)	1
	018-906291	PKG CTRL END DOOR 2100-1800 PNTD BLUE (Includes 1-8)	1
1	004-905687	PNL CTRL END DOOR 2100-1800	1
	004-906278	PNL CTRL END DOOR 2100-1800 PNTD BLUE	1
2	001-702091	LOCK CAM 545 5/8X2-1/2 WR	2
3	004-701399	HNDL MOD2000 CAB RAYPAK R01	1
	004-903612	HNDL MOD2000 CAB PNTD BLUE	1
4	001-700803	RIVET 5/32 GRP .3125-.375 SS	3
5	001-701484	SCRW MACH 10-24X3/4 PANHEAD	4
6	016-702616	CASE OPR MNL MANUAL-PAK	1
7	001-701185	WSHR FLT #10 SAE PLD	4
8	001-700805	NUT LKG 10-24 PLD	4
		The following components may not be shown	
	001-702305	KEY FOR 545 CAM LOCK 5/8 X 2-1/2	

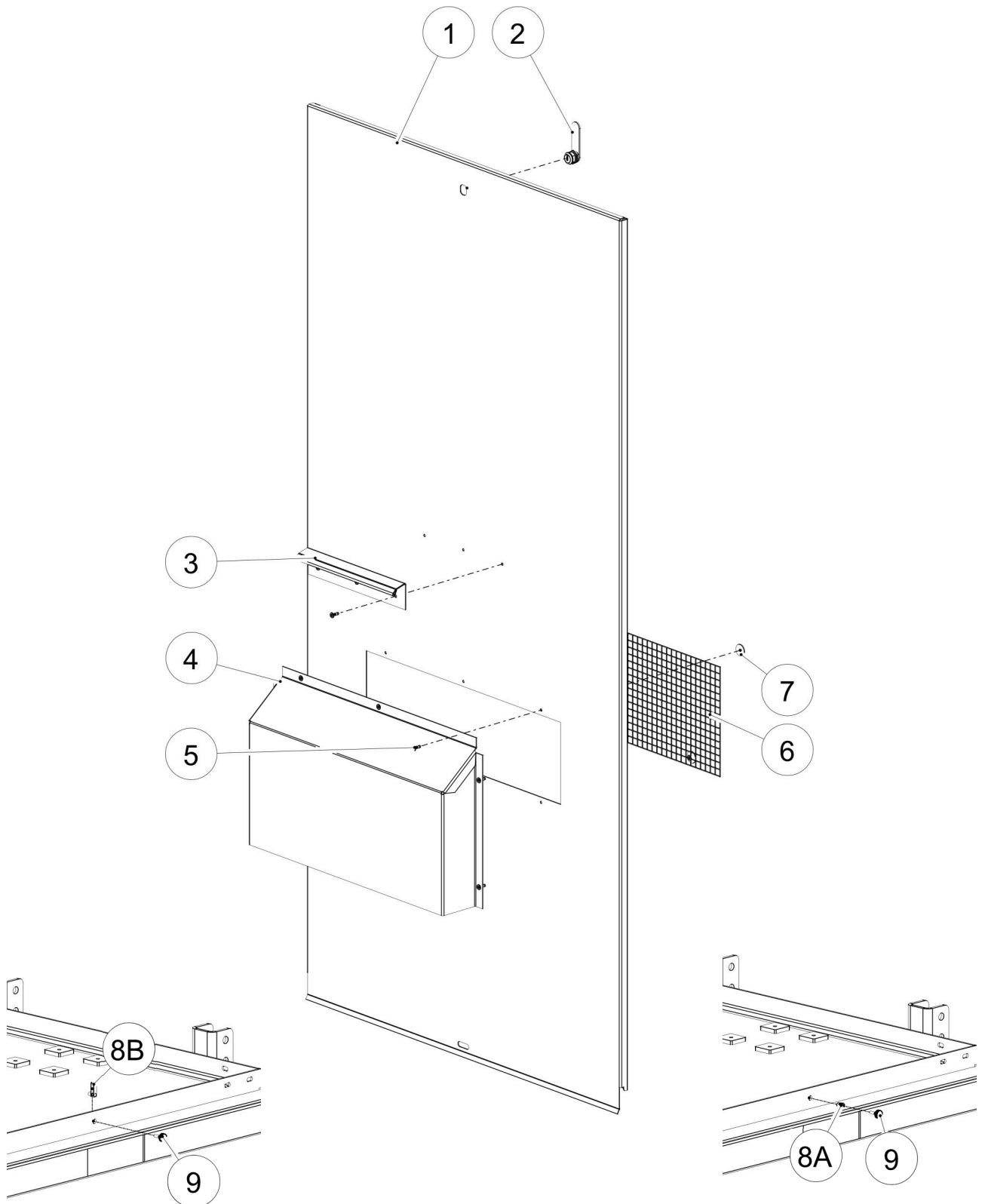




**Central Heating Unit
2100-DG-1800 Series
Tank End Door**

S/N: 23037 -
S/N: Current
PAGE: 1.1.10

Item No.	Part No.	Description	Qty.
	018-905690	PKG TANK END DOOR 2100-1800 (Includes 1-7)	1
	018-906293	PKG TANK END DOOR 2100-1800 PNTD BLUE (Includes 1-7)	1
1	004-905686	PNL TANK END DOOR 2100-1800	1
	004-906280	PNL TANK END DOOR 2100-1800 PNTD BLUE	1
2	001-702091	LOCK CAM 545 5/8X2-1/2 WR	2
3	004-701399	HNDL MOD2000 CAB RAYPAK R01	1
	004-903612	HNDL MOD2000 CAB PNTD BLUE	1
4	004-702476	VENT/INTK HOOD MOD 2100 CAB R01	1
	004-903611	VENT/INTK HOOD MOD 2100 CAB PNTD BLUE	1
5	001-700803	RIVET 5/32 GRP .3125-.375 SS	13
6	010-702487	SCREEN 1/2X1/2X8WX22L	1
7	001-701208	WSHR FNDR 7/8X5/32 PLD	8
		The following components may not be shown	
	001-702305	KEY FOR 545 CAM LOCK 5/8 X 2-1/2	

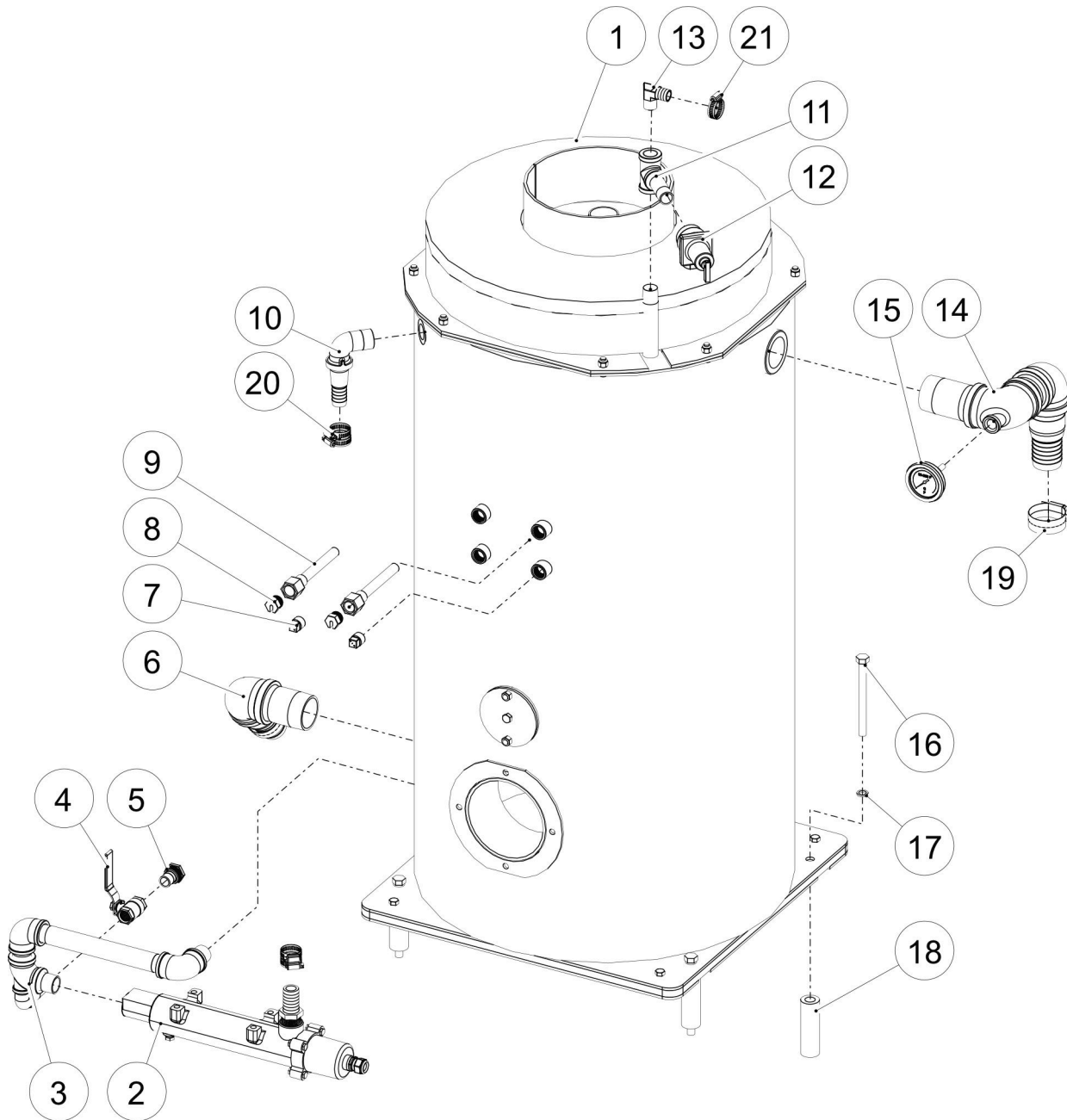




**Central Heating Unit
2100-DG-1800 Series
Side Door**

S/N: 23037 -
S/N: Current
PAGE: 1.1.12

Item No.	Part No.	Description	Qty.
	018-905689	PKG SIDE DOOR 2100-1800 (Includes 1-7)	4
	018-906292	PKG SIDE DOOR 2100-1800 PNTD BLUE (Includes 1-7)	4
1	004-905685	PNL SIDE DOOR 2100-1800	1
	004-906279	PNL SIDE DOOR 2100-1800 PNTD BLUE	1
2	001-702091	LOCK CAM 545 5/8X2-1/2 WR	2
3	004-701399	HNDL MOD2000 CAB RAYPAK R01	1
	004-903612	HNDL MOD2000 CAB PNTD BLUE	1
4	004-702476	VENT/INTK HOOD MOD 2100 CAB R01	1
	004-903611	VENT/INTK HOOD MOD 2100 CAB PNTD BLUE	1
5	001-700803	RIVET 5/32 GRP .3125-.375 SS	13
6	010-702487	SCREEN 1/2X1/2X8WX22L	1
7	001-701208	WSHR FNDR 7/8X5/32 PLD	8
8A	001-703408	INSERT THD 1/4 UNC RND BODY .027-.165 GRP	4
8B	001-902760	NUT CLP 1/4X20	4
9	001-902717	BOLT 1/4X7/8 UNC KNURL PLSTC HD	4
		The following components may not be shown	
	001-702305	KEY FOR 545 CAM LOCK 5/8 X 2-1/2	

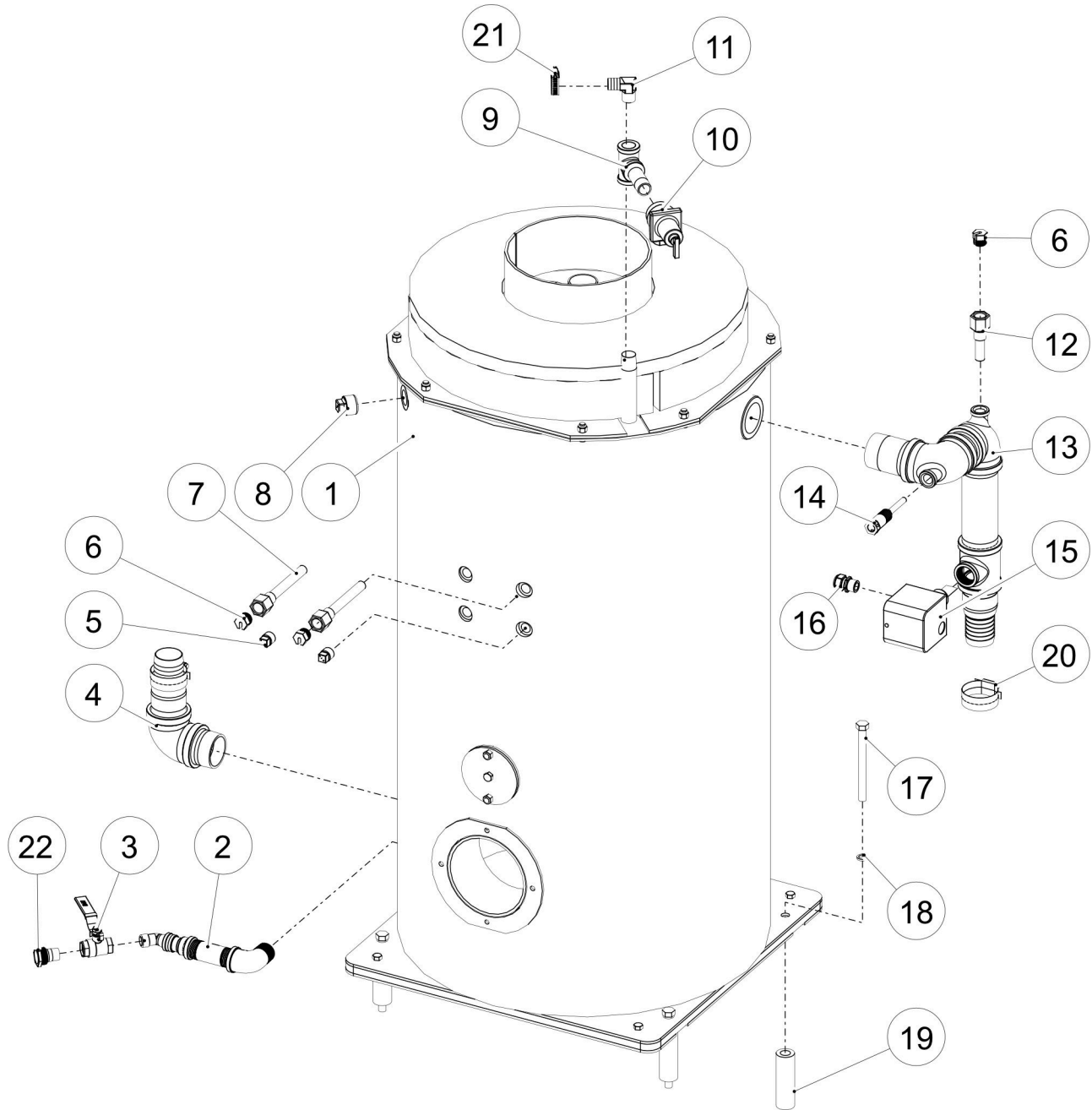




**Central Heating Unit
2100-DG-1800 Series
Primary Heat Exchanger**

S/N: 23037 -
S/N: Current
PAGE: 2.1.2

Item No.	Part No.	Description	Qty.
	018-905383	PKG HEAT EXCHANGER 900 PRIMARY 2100-1800 (Includes 1-15)	1
1		HEAT EXCHANGER - see page 2.1.5	
2		GLYCOL PREHEATER - see page 2.1.7	
3	018-905385	PKG PLMB 2100-1800 GLY PHTR	1
4	011-700115	VLV BALL 1/2 400WOG STD BRS CGA NPTF	1
5	011-700404	CPLR FEM GARD THD 1/2XSWVL NPTM	1
6	018-905817	PKG PLMB 2100-1800 PRIMARY INTAKE	1
7	011-702702	PLUG BRS 1/2 NPT SQ HD	2
8	005-702757	NUT SPLIT WELLCAP 3/4FINE THREAD	2
9	005-702593	WELL THERM BRS 6-1/4IN .385 BORE 1/2IN NPT	2
10	018-702542	PKG PLMB CRCLT HTR OUTLET MOD 2100	1
11	018-905386	PKG PLMB 2100 VENT	1
12	006-700879	VLV SAFETY PRESS RLF 60PSI 3/4X3/4	1
13	011-704084	NIPL COMB 3/4NPTX3/4HB 90DEG BRS	1
14	018-905384	PKG PLMB 2100-1800 PRIMARY DISCHARGE	1
15	005-700122	GAUGE TEMP 1/2MNPT BIMETAL 0-250F	1
16	001-906271	BOLT 1/2X5-1/2 GR8 UNC PLD	4
17	001-700938	WSHR LOCK 1/2 PLD	4
18	004-903261	DOM 1-1/4ODX11/16ID 4L PNTD BLK	4
19	001-700337	CLP HOSE HS32 2-1/2 SLTD HEX HD SS	4
20	001-700275	CLP HOSE HAS16 SLTD HEX HD SS	2
21	001-701890	CLP HOSE 1-1/4 SIZE 12	1
		The following components may not be shown	
	001-700450	SLEEVE OVAL 1/16 AL CABLE	2
	001-700451	CABLE ACFT 7X7 1/16 GALV	1 FT
	001-702508	TAPE FSK 3IN X 150FT	4 FT

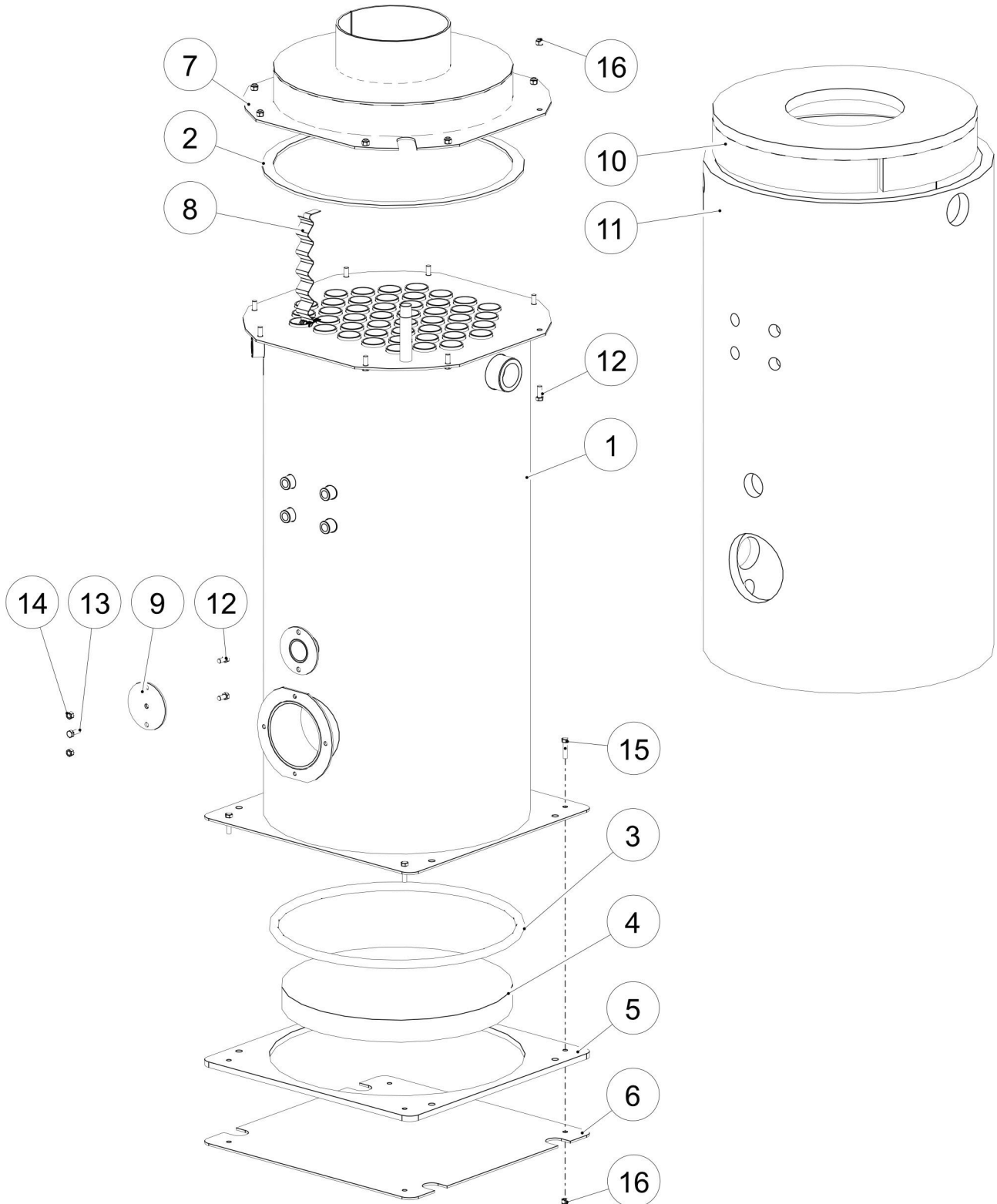




**Central Heating Unit
2100-DG-1800 Series
Secondary Heat Exchanger**

S/N: 23037 -
S/N: Current
PAGE: 2.1.4

Item No.	Part No.	Description	Qty.
	018-905415	PKG HEAT EXCHANGER 900 SECONDARY 2100-1800 (Includes 1-16)	1
1		HEAT EXCHANGER - see page 2.1.5	
2	018-905416	PKG PLMB 2100-1800 DRAIN	1
3	011-700115	VLV BALL 1/2 400WOG STD BRS CGA NPTF	1
4	018-905387	PKG PLMB 2100-1800 INTAKE	1
5	011-702702	PLUG BRS 1/2 NPT SQ HD	2
6	005-702757	NUT SPLIT WELLCAP 3/4 FINE THREAD	3
7	005-702593	WELL THERM BRS 6-1/4 IN .385 BORE 1/2 IN NPT	2
8	011-702704	PLUG BRS 1 NPT SQ HD	1
9	018-905386	PKG PLMB 2100 VENT	1
10	006-700879	VLV SAFETY PRESS RLF 60PSI 3/4 X 3/4	1
11	011-704084	NIPL COMB 3/4 NPT X 3/4 HB 90 DEG BRS	1
12	005-702592	WELL THERM BRS 4-3/8 IN .385 BORE 1/2 IN NPT	1
13	018-905417	PKG PLMB 2100-1800 SECONDARY DISCHARGE	1
14	005-704272	WELL THERM BULB ASSY 1/2 IN NPT	1
15	006-700778	CNTRL FLOW MULT PADDLE	1
16	002-704262	CONN STRN/RLF 1/2 .24-.47 CE/CSA	1
17	001-906271	BOLT 1/2 X 5/8 GR8 UNC PLD	4
18	001-700938	WSHR LOCK 1/2 PLD	4
19	004-903261	DOM 1-1/4 ODX 11/16 ID 4L PNTD BLK	4
20	001-700337	CLP HOSE HS32 2-1/2 SLTD HEX HD SS	4
21	001-701890	CLP HOSE 1-1/4 SIZE 12	1
22	011-700404	CPLR FEM GARD THD 1/2 X SWVL NPTM	1
		The following components may not be shown	
	001-700450	SLEEVE OVAL 1/16 AL CABLE	2
	001-700451	CABLE ACFT 7X7 1/16 GALV	1 FT
	001-702508	TAPE FSK 3 IN X 150 FT	4 FT

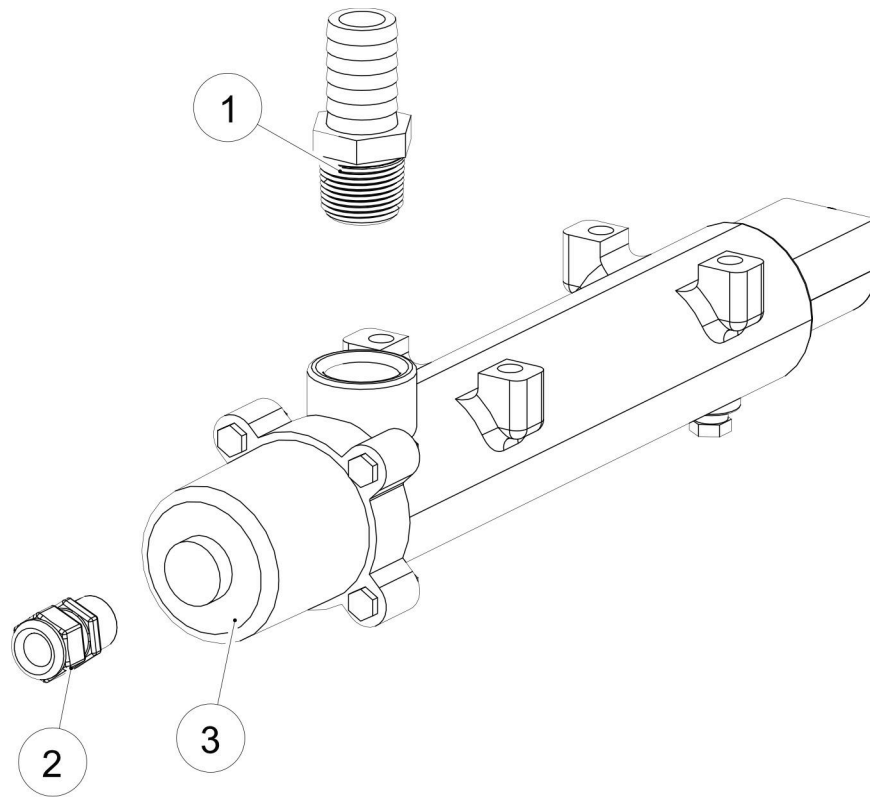




**Central Heating Unit
2100-DG-1800 Series
Heat Exchanger**

S/N: 23037 -
S/N: Current
PAGE: 2.1.6

Item No.	Part No.	Description	Qty.
	004-702440	HEAT EXCHANGER FUEL-TO-GLY MOD 2100-0900 (Includes 1-16)	2
1	004-704334	HEAT EXCHANGER 900	1
2	021-704342 015-903693	GSKT HEAT RESIST 1/4x1 CLKG STV/GSKT CEMENT (2000 DEG F) (Recmmeded with above)	6 FT
3	021-704343 015-903693	GSKT HEAT RESIST 3/4IN DIA CLKG STV/GSKT CEMENT (2000 DEG F) (Recmmeded with above)	6 FT
4	021-704341	INSUL HEAT RESIST 19-7/8IN OD 2IN THK	6 FT
5	004-704338	PC 1/2 A36 SPCR BOTTOM HEAT EXCHANGER	1
6	004-704339	PC 3/16 A36 COV BOTTOM HEAT EXCHANGER	1
7	004-704335	COV TOP 900 HEAT EXCHANGER	1
8	004-704336	BAFFLE 16GA A569 900 HEAT EXCHANGER	46
9	004-704337 010-702802	ASSY INSP COV HEAT EXCHANGER GSKT DURLON 4-1/4IN DIA	1
10	018-905875	ASSY INSUL COV TOP 2100-0900	1
11	004-904382	INSUL WRAP 2100-0900 HEAT EXCHANGER	1
12	001-700434	BOLT 3/8X3/4 PLD GR5	2
13	001-700804	BOLT 3/8X1 PLD GR5	9
14	001-700890	NUT 3/8 PLD	2
15	001-700720	BOLT 3/8X1-1/2 PLD GR5	4
16	001-700721	NUT LKG NYL 3/8 UNC PLD	12
		The following components may not be shown	
	001-702508	TAPE FSK 3IN X 150FT	

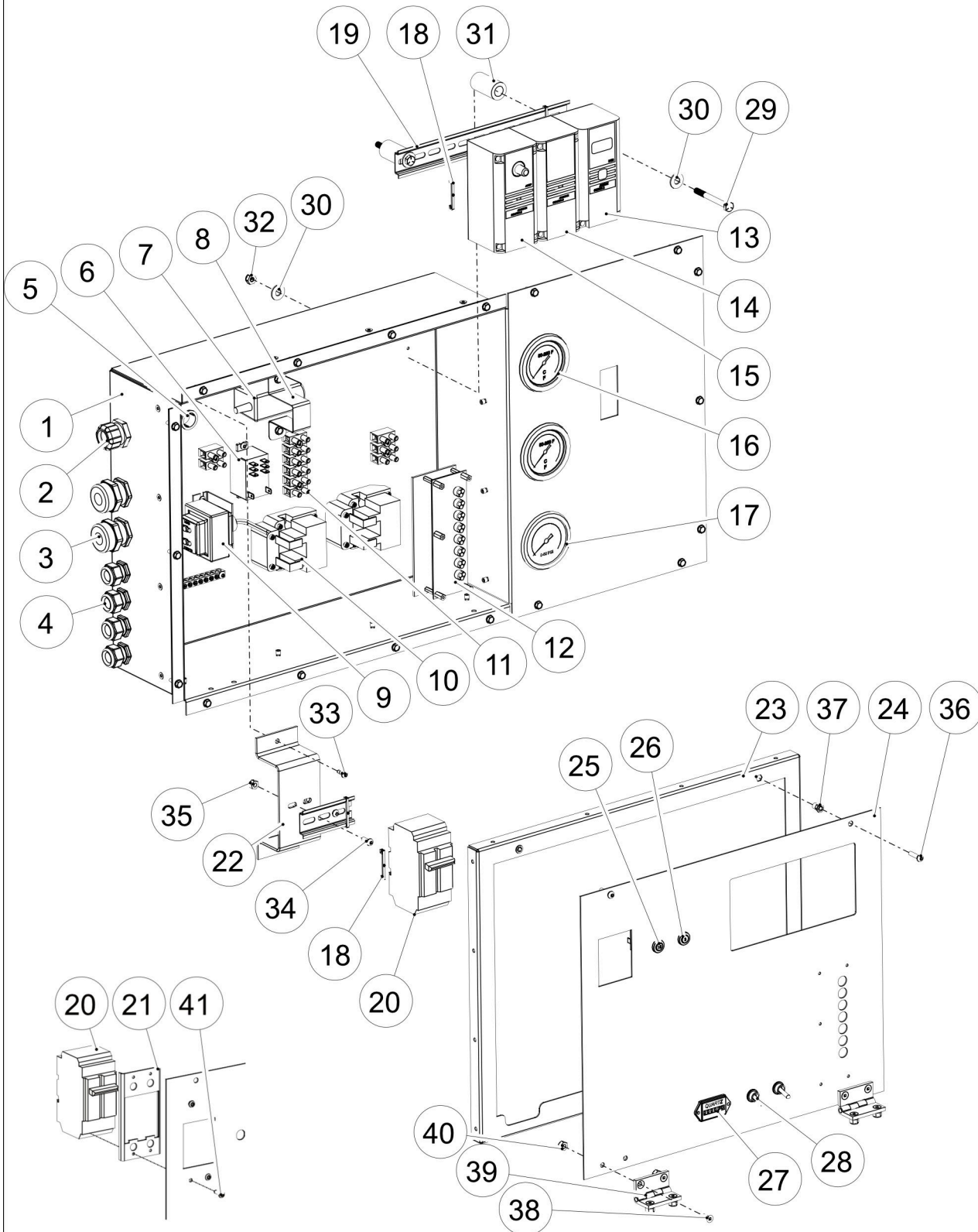




**Central Heating Unit
2100-DG-1800 Series
Glycol Preheater**

S/N: 23037 -
S/N: Current
PAGE: 2.1.8

Item No.	Part No.	Description	Qty.
1	011-702153	NIPL COMB 1*1 BRS ADPTR	1
2	002-704262	CONN STRN/RLF 1/2 .24-.47 CE/CSA	1
3	012-702513	HEATER CRCLT 4000W 240V	1
		The following components may not be shown	
	006-702894	ELEMENT CRCLT HTR 4000W 240V	1

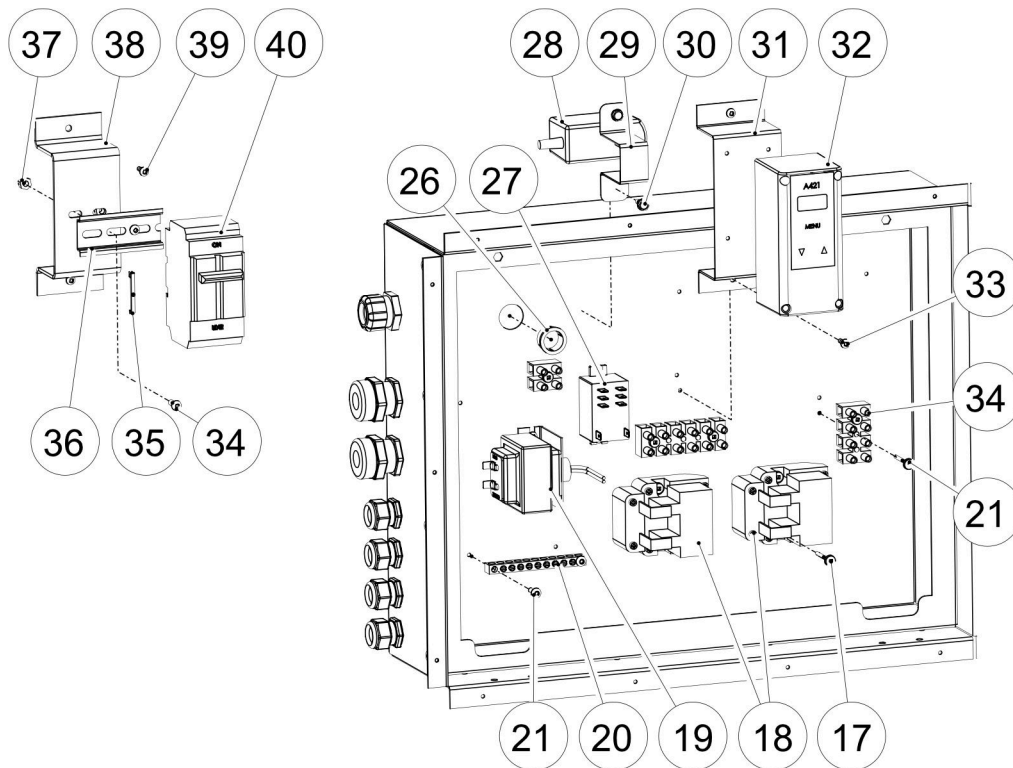
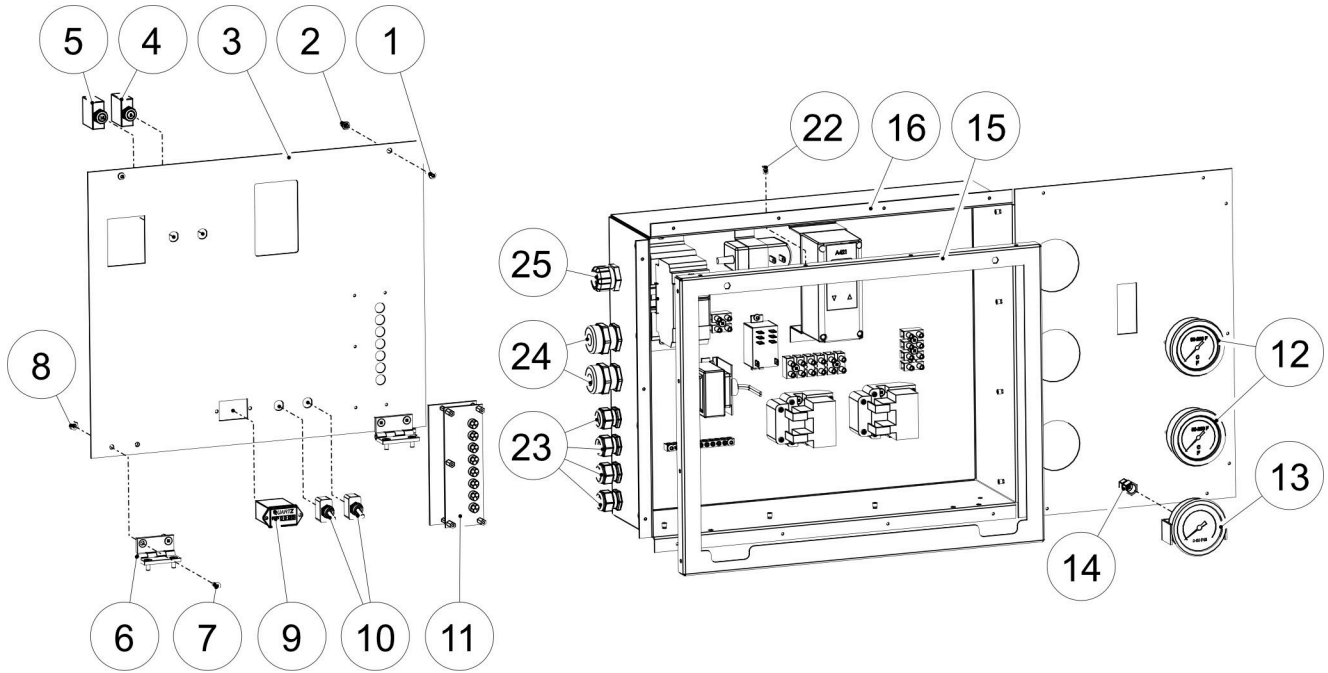




**Central Heating Unit
2100-DG-1800 Series
Control Panel**

S/N: 23037 -
S/N: 23103
PAGE: 3.1.2

Item No.	Part No.	Description	Qty.
1	004-905650	BOX ELEC ENC 2100-1800	1
	004-906588	BOX ELEC ENC 2100-1800 PNTD BLUE	1
2	002-700046	CONNECTOR STRN/RLF 3/4 .625-.750 CABLE RNG	1
3	002-703567	CONNECTOR STRN/RLF 1/2 .625-.750 CABLE RNG	2
4	002-704262	CONN STRN/RLF 1/2 .24-.47 CE/CSA	4
5	002-701115	BSHG KO 1/2	1
6	002-900394	RELAY 24V DPDT 7500VAC NO 2500VAC NC	1
7	002-903025	XFMR 120VAC/12VDC 2000MA	1
8	004-906027	BRKT MNT 12VDC XFMR FLUSH-MNT 1-15/16 L	1
9	006-701213	XFMR 40VA 120V 60HZ 24V CLASS 2	1
10	002-800038	RELAY 120V DPDT 30A/240V	2
11	002-903908	TERM STRIP 12POLE .531IN SEP 50A	2
12	005-702514	BOARD LED 6GRN-110V 2RED-24V	1
13	005-905588	DSPLY MOD TEMP D350	1
14	006-702127	SYSTEMS 350 STAG MODULE	1
15	006-702126	ELECTRONIC TEMP CONTROL A350	1
16	005-702510	GAUGE TEMP 96IN CPLRY 40-240 DEG F WIKA	2
17	005-703489	GAUGE PRESS 0-60PSI PNL 2-1/2IN WIKA	1
18	002-906301	CLIP END DIN RAIL 45MM	4
19	017-704383	RAIL DIN MOUNTING	15 IN
20	002-905587	BRKR DP 30A GE THQC2130WL	1
21	002-704562	BRKT BRKR HLDR TQCFMP2 (SN: 23037 - 23063)	1
22	004-906335	REAR PNL MNT BRKR DP GE THQC (SN: 23037 - Current)	1
23	004-905655	PNL WINDOW ELEC ENC 2100-1800	1
	004-906589	PNL WINDOW ELEC ENC 2100-1800 PNTD BLUE	1
24	004-905658	PNL CVR CTRL 2100-1800	1
	004-906590	PNL CVR CTRL 2100-1800 PNTD BLUE	1
25	002-704374	BRKR CIR 15A PUSH TO RESET W58-XB1A4A-15	1
26	002-703116	BRKR CKT 3A SP PUSH-TO-RESET	1
27	002-703051	METER HOUR 120VAC RECT 2-SCRW (SN: 186301 - Current)	1
28	002-703616	SWITCH TGL SPST 20A 125V 1/4 SPADE TERM	2
29	001-905778	BOLT 1/4X2-1/2 UNC PLD	2
30	001-700129	WSHR FLT 1/4 PLD	4
31	004-905695	DOM .875OD X.500ID 1-5/8L PNTD BLK	2
32	001-700042	NUT LKG NYL 1/4 UNC PLD	2
33	001-702775	SCRW SH MET #8X1/2 PAN HD (SN: 23064 - Current)	2
34	001-700806	SCRW MACH 10-24X1/2 (SN: 23064 - Current)	2
35	001-700805	NUT LKG 10-24 PLD (SN: 23064 - Current)	2
36	001-701484	SCRW MACH 10-24X3/4 PANHEAD	2
37	001-703564	INSERT THD 10-24 HEX BODY	2
38	001-904283	SCRW MACH 10-24X1/2L FLAT HD ZNC SQ DR	8
39	017-900607	HINGE SURFACE-MT 316 SS POLISHED 2H X 2W	2
40	001-700805	NUT LKG 10-24 PLD	8
41	001-902431	SCRW MACH 8-32X1/2L PAN HD SS (SN: 23037 - 23063)	4

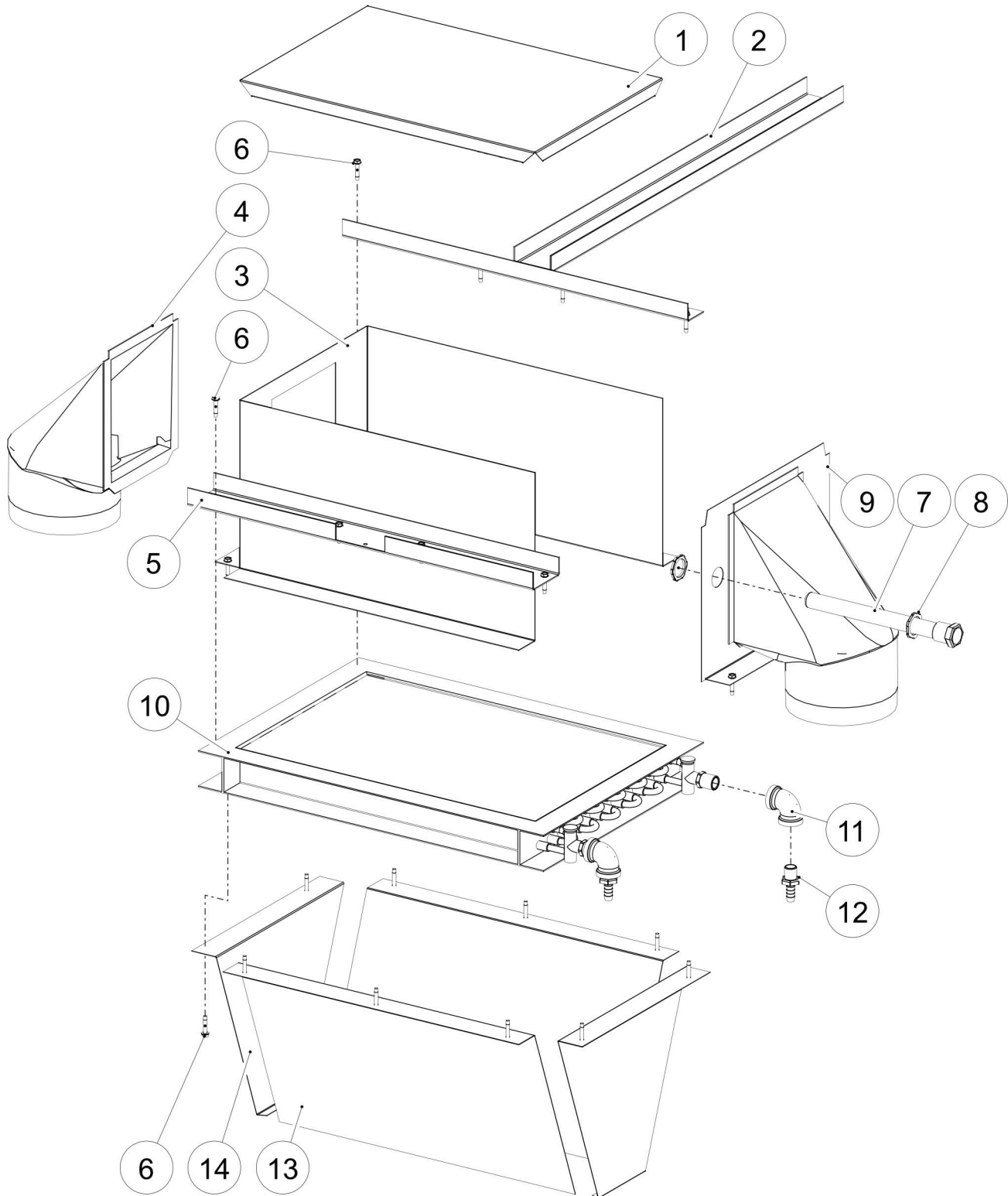




**Central Heating Unit
2100-DG-1800 Series
Control Panel**

S/N: 23134 -
S/N: Current
PAGE: 3.2.2

Item No.	Part No.	Description	Qty.
1	001-701484	SCRW MACH 10-24X3/4 PANHEAD	2
2	001-703564	INSERT THD 10-24 HEX BODY	2
3	004-906597	PNL CVR CTRL PNL 2100-1800 421 AQUASTAT	1
	004-906604	PNL CVR CTRL PNL 2100-1800 CHU 421 AQUASTAT PNTD BLUE	1
4	002-703116	BRKR CKT 3A SP PUSH-TO-RESET	1
5	002-704374	BRKR CIR 15A PUSH TO RESET W58-XB1A4A-15	1
6	017-900607	HINGE SURFACE-MT 316 SS POLISHED 2H X 2W	2
7	001-904283	SCRW MACH 10-24X1/2L FLAT HD ZNC SQ DR	8
8	001-700805	NUT LKG 10-24 PLD	8
9	002-703051	METER HOUR 120VAC RECT 2-SCRW	1
10	002-703616	SWITCH TGL SPST 20A 125V 1/4 SPADE TERM	2
11	005-702514	BOARD LED 6GRN-110V 2RED-24V	1
12	005-702510	GAUGE TEMP 96IN CPLRY 40-240 DEG F WIKA	2
13	005-703489	GAUGE PRESS 0-60PSI PNL 2-1/2IN WIKA	1
14	011-701175	CPRSN FTG CON 1/4TX1/4 FPT	1
15	004-905655	PNL WINDOW ELEC ENC 2100-1800	1
	004-906589	PNL WINDOW ELEC ENC 2100-1800 PNTD BLUE	1
16	004-905650	BOX ELEC ENC 2100-1800	1
	004-906588	BOX ELEC ENC 2100-1800 PNTD BLUE	1
17	001-704113	SCRW D/T #10X1-1/4 PAN HD/SQ SKT DR	4
18	002-800038	RELAY 120V DPDT 30A/240V	2
19	006-701213	XFMR 40VA 120V 60HZ 24V CLASS 2	1
20	002-900417	BAR GND 9-TERM W-NUTS	1
21	001-704515	SCRW MACH 10-24X1/2 SS UNC BTN HD 1/8HEX DR	2
22	001-901203	RIVET 5/32 GRP .126 -.250 SS	16
23	002-704262	CONN STRN/RLF 1/2 .24-.47 CE/CSA	4
24	002-703567	CONNECTOR STRN/RLF 1/2 .625-.750 CABLE RNG	2
25	002-700046	CONNECTOR STRN/RLF 3/4 .625-.750 CABLE RNG	1
26	002-701115	BSHG KO 1/2	1
27	002-900394	RELAY 24V DPDT 7500VAC NO 2500VAC NC	1
28	002-903025	XFMR 120VAC/12VDC 2000MA	1
29	004-906027	BRKT MNT 12VDC XFMR FLUSH-MNT 1-15/16 L	1
30	001-700630	SCRW D/T 10-16X1/2 5/16HEX HD PLD	2
31	004-904280	BRKT RISER A421 CNTRL 200GTS	1
32	005-903333	CONT TEMP A421ABC-04C -40 TO 212F	1
33	001-702775	SCRW SH MET #8X1/2 PAN HD	11
34	002-903908	TERM STRIP 12POLE .531IN SEP 50A	2
		The following components may not be shown	
	005-906850	SNSR TEMP JOHNSON A99BB-400C 13FT LENGTH Replacement sensor only	

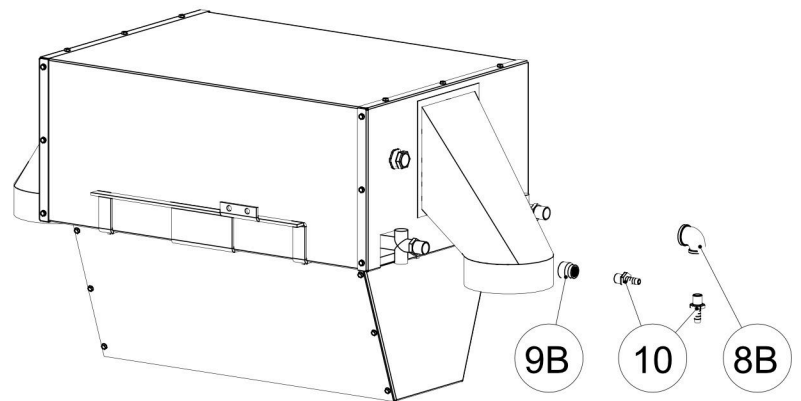
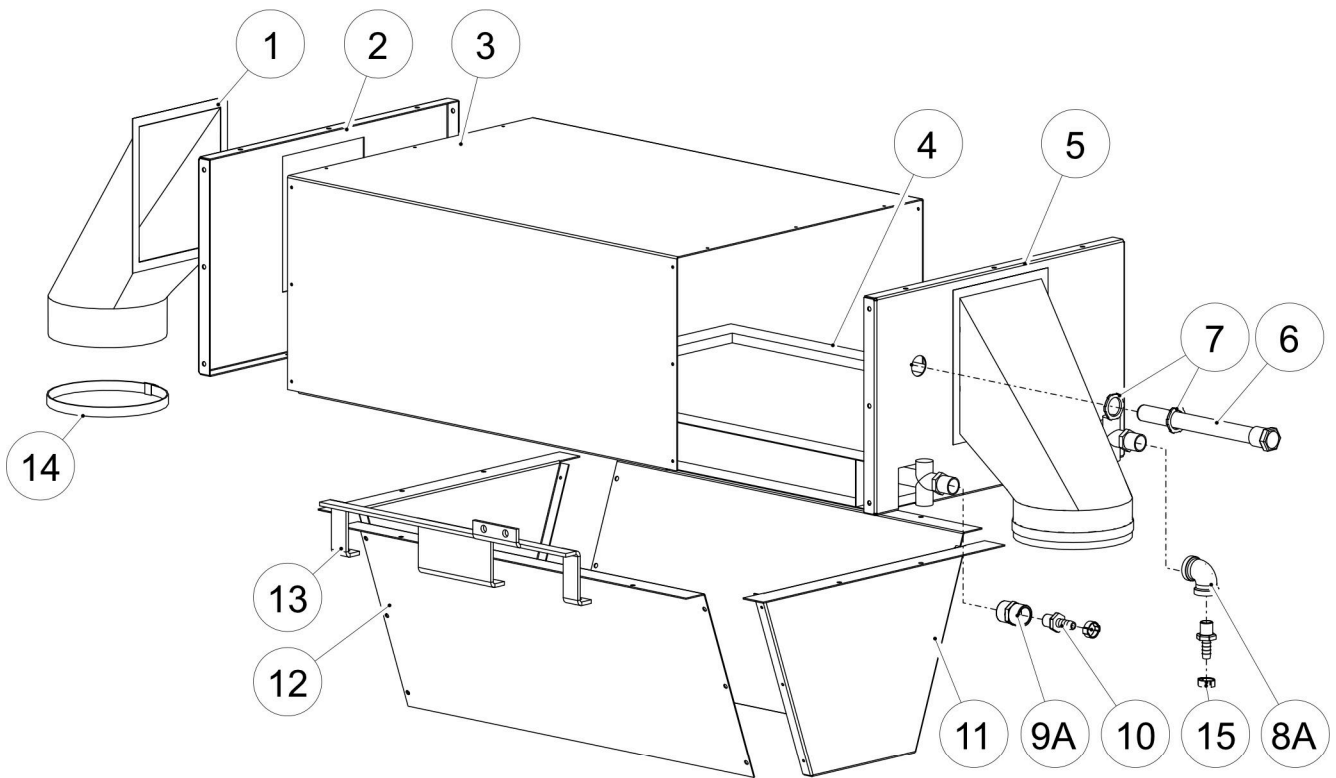




**Central Heating Unit
2100-DG-1800 Series
Air Preheater**

S/N: 23037 -
S/N: 23058
PAGE: 4.1.2

Item No.	Part No.	Description	Qty.
1	004-702903	PNL TOP UPR DUCT AIR PRE-HTR MOD 2100	1
2	004-905353	BRKT MNT PHTR AIR 2100-1800 LONG	1
3	004-905351	PNL BODY PHTR AIR 2100-1800	1
4	004-702520	DUCT TOP TAKE OFF 6 IN	2
5	004-905352	BRKT MNT PHTR AIR 2100-1800 SHORT	1
6	001-700629	SCRW D/T 10-16X3/4 5/16HEX HD PLD	22
7	005-700204	WELL F/AVTA/B 3/4 BRS BULB	1
8	002-701133	LOCKNUT 3/4 STL CONDUIT	2
9	004-702902	PNL END UPR DUCT AIR PRE-HTR MOD 2100	1
10	012-701130	COIL WTR 4WS2D-12TX24 41008 PCRA	1
11	011-702608	ELB 1/2X90DEG BRS NPTF	2
12	011-702563	NIPL COMB 1/2NPTX3/8HB BRS	2
13	004-702904	PNL SIDE LWR DUCT AIR PRE-HTR MOD 2100	2
14	004-702905	PNL END LWR DUCT AIR PRE-HTR MOD 2100	2

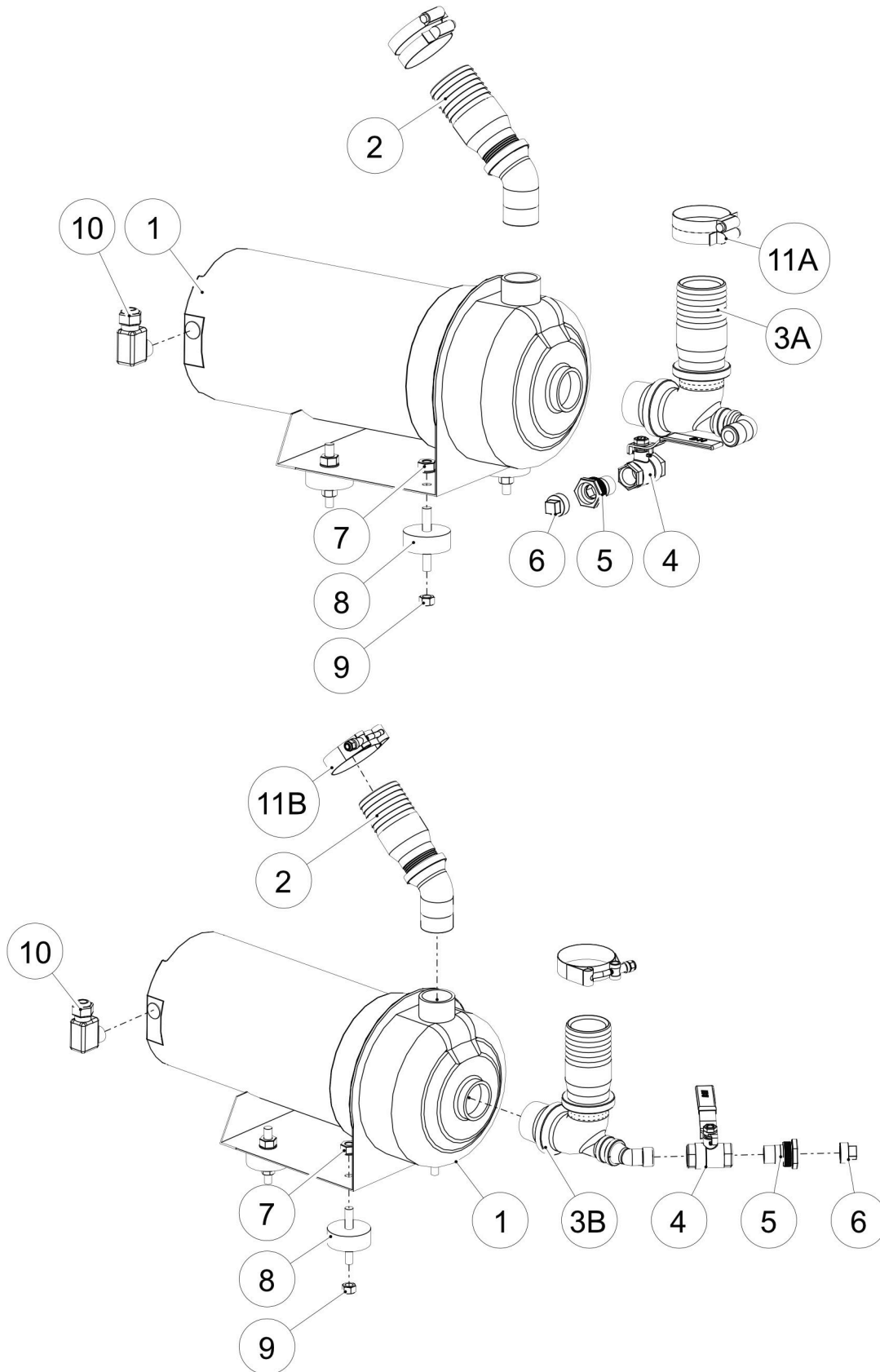




**Central Heating Unit
2100-DG-1800 Series
Air Preheater**

S/N: 23058 -
S/N: Current
PAGE: 4.2.2

Item No.	Part No.	Description	Qty.
1	004-702520	DUCT TOP TAKE OFF 6 IN	2
2	004-905842	PNL FAR END AIR PHTR 2100-1800	1
3	004-905843	PNL BODY AIR PHTR 2100-1800	1
4	012-701130	COIL WTR 4WS2D-12TX24 41008 PCRA	1
5	004-905841	PNL COIL END AIR PHTR 2100-1800	1
6	005-700204	WELL F/AVTA/B 3/4 BRS BULB	1
7	002-701133	LOCKNUT 3/4 STL CONDUIT	2
8A	011-702608	ELB 1/2X90DEG BRS NPTF	1
8B	011-904772	ELB RDCG 3/4X1/2 90DEG BRS NPT (SN: 23064 - Current)	1
9A	011-704106	CPLG 1/2NPT BRS	1
9B	011-906314	CPLR RDCG 3/4X1/2 BRS FEM NPT (SN: 23064 - Current)	1
10	011-702563	NIPL COMB 1/2NPTX3/8HB BRS	2
11	004-905845	PNL END LWR AIR PHTR 2100-1800	2
12	004-905844	PNL LWR DUCT AIR PHTR 2100-1800	2
13	004-905846	BRKT MNT AIR PHTR 2100-1800	1
14	001-702651	CLP HOSE HAS96 SLTD HEX HD SS	2
15	001-702551	CLP 2-EAR #18SS - 3/8ID HOSE	2

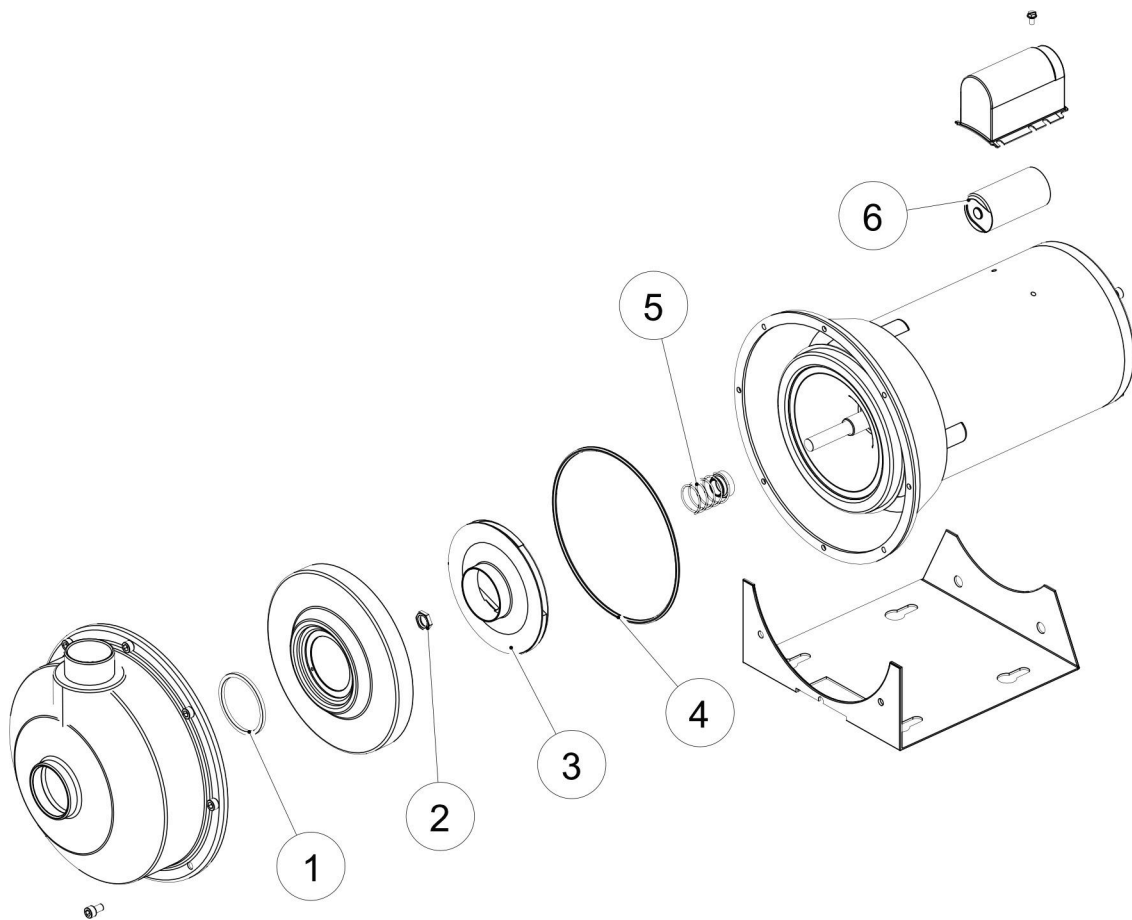




**Central Heating Unit
2100-DG-1800 Series
Pump Components**

S/N: 23037 -
S/N: Current
PAGE: 5.1.2

Item No.	Part No.	Description	Qty.
1	012-702751	PUMP - see page 5.1.3	
2	018-905541	PKG PLMB PUMP OUTLET 2100-1800	1
3A	018-702715	PKG PLMB PUMP INLET MOD 2100-0900	1
3B	018-905877	PKG PLMB PUMP INLET MOD 2100-1800	1
4	011-700115	VLV BALL 1/2 400WOG STD BRS CGA NPTF	1
5	011-700404	CPLR FEM GARD THD 1/2XSWVL NPTM	1
6	011-704470	PLUG GARDEN HOSE MALE BRS	1
7	001-700721	NUT LKG NYL 3/8 UNC PLD	4
8	001-702461	MNT VIB NEOPRENE 3/8X1 THRD 2IN DIA X 3L	4
9	001-700890	NUT 3/8 PLD	4
10	002-704247	CONNECTOR 1/2 90DEG FLEX NYL	1
11A	001-700337	CLP HOSE HS32 2-1/2 SLTD HEX HD SS	4
11B	001-901471	CLP HOSE HEAVY-DUTY 59-63MM	2





Central Heating Unit 2100-DG-1800 Series Pump

S/N: 23037 -
S/N: Current
PAGE: 5.1.4

Item No.	Description	Part No.					
		012-800052 3/4 HP	012-800053 1 HP	012-905311 2 HP	012-800055 2 HP	012-702751 3 HP	
1	SEAL RING GUIDEVANE G & L PUMP	006-703027	006-703008				
2	LOCKNUT IMPELLER G & L PUMP	006-703026					
3	IMPELLER G & L PUMP	006-703028	006-703029	006-703007	006-703030	006-703031	
4	O-RING CASING G & L PUMP	006-703006					
5	SEAL MECH G & L PUMP	006-703005					
6A	CAPACITOR PUMP GOULDS	006-701171	006-702799	006-701171		006-703468	
6B	CAPACITOR RUN PUMP GOULDS CAPACITOR RATING: 60µF 370V						006-906552
6C	CAPACITOR RUN PUMP GOULDS W/ NIDEC MOTOR CAPACITOR RATING: 40µF 370V						006-906922
6D	CAPACITOR START PUMP GOULDS W/ NIDEC MOTOR CAPACITOR RATING: 233-280µF 165V						006-906923
6E	CAPACITOR PUMP GOULDS W/ NIDEC MOTOR CAPACITOR RATING: 189-227µF 110V	006-906943					

REFER TO PUMP MOTOR NAME PLATE EXAMPLES PRIOR TO ORDERING CAPACITORS

NIDEC MOTOR NAME PLATE EXAMPLE

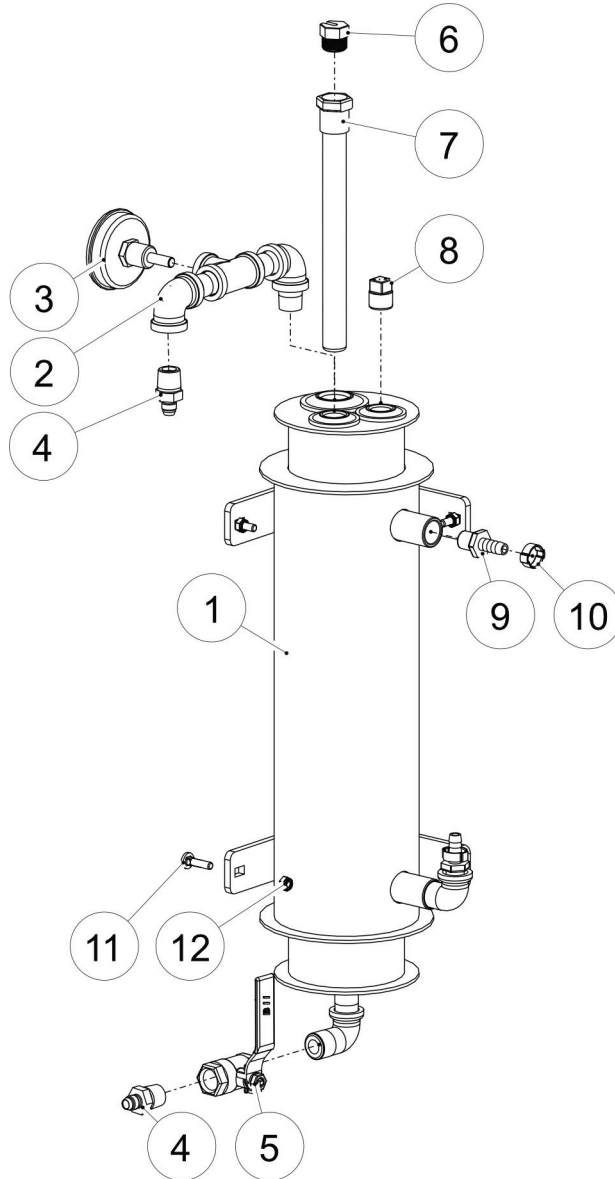
		CUST. NO. E06954BBS	
CAT. NO.	MODEL	INS F	AMB 40 °C PH 1 CODE E
OTHER PROTECTED	AUTO ENC ODP FRAME 56J	DUTY	CONT DATE CODE
		PROT. CODE 00240	
60 HZ DATA	50 HZ DATA	CONNECTIONS	
3 3450 208-230 14.0-13.0 1.15 16.0-14.0	3 RPM 2850 VOLTS 220-230 F.L.A. 14.0-15.0 S.F.A. 1.0 N/A		
CE IP22		MOTOR IS NON-REVERSIBLE COW ROTATOR SHUNT END	
		SUPPLY CONNECTIONS USE WIRES SIZED ON THE BASIS OF EFFICIENCY AND RATED MINIMUM 50°C.	
SUITABLE FOR FIELD WIRING. USE COPPER CONDUCTORS ONLY			
WARNING: MOTOR MUST BE GROUNDED IN ACCORDANCE WITH LOCAL AND NATIONAL ELECTRIC CODES. COMPONENT COVER MUST BE IN PLACE BEFORE OPERATING TO PREVENT ELECTRICAL SHOCK OR INJURY			

WEG, BLUFFTON MOTOR NAME PLATE EXAMPLE

		MAT 15350627 SERIAL 107319461	
HZ 60	V 115/208-230 V	HZ 50	V 115/230 V
HP 0.75	RPM 3450	HP 0.75	RPM 2875
FLA 9.2/4.6-4.6	SF 1.5	FLA 12.2/6.1	SF 1.00
SFA 12.0/6.5-6.0	FR 56J	SFA E05C12A1EB6G	
INS B	PH 1		
ENC DP	TYPE U		
INS B	CONT (S1)		
ENC DP			
CERT ID 4103007456	DSN 22H0111 8		
WARNING: Always disconnect motor from power supply before servicing. Fatal shock may result if motor frame and adjacent metal are not grounded in compliance with electrical code.			
THERMALLY PROTECTED AUTOMATIC RESET. Motor will restart without warning after protector trips. Do not install this motor on equipment where automatic startup could result in injury.			
E10787		241536	

HIGH VOLTAGE

LOW VOLTAGE

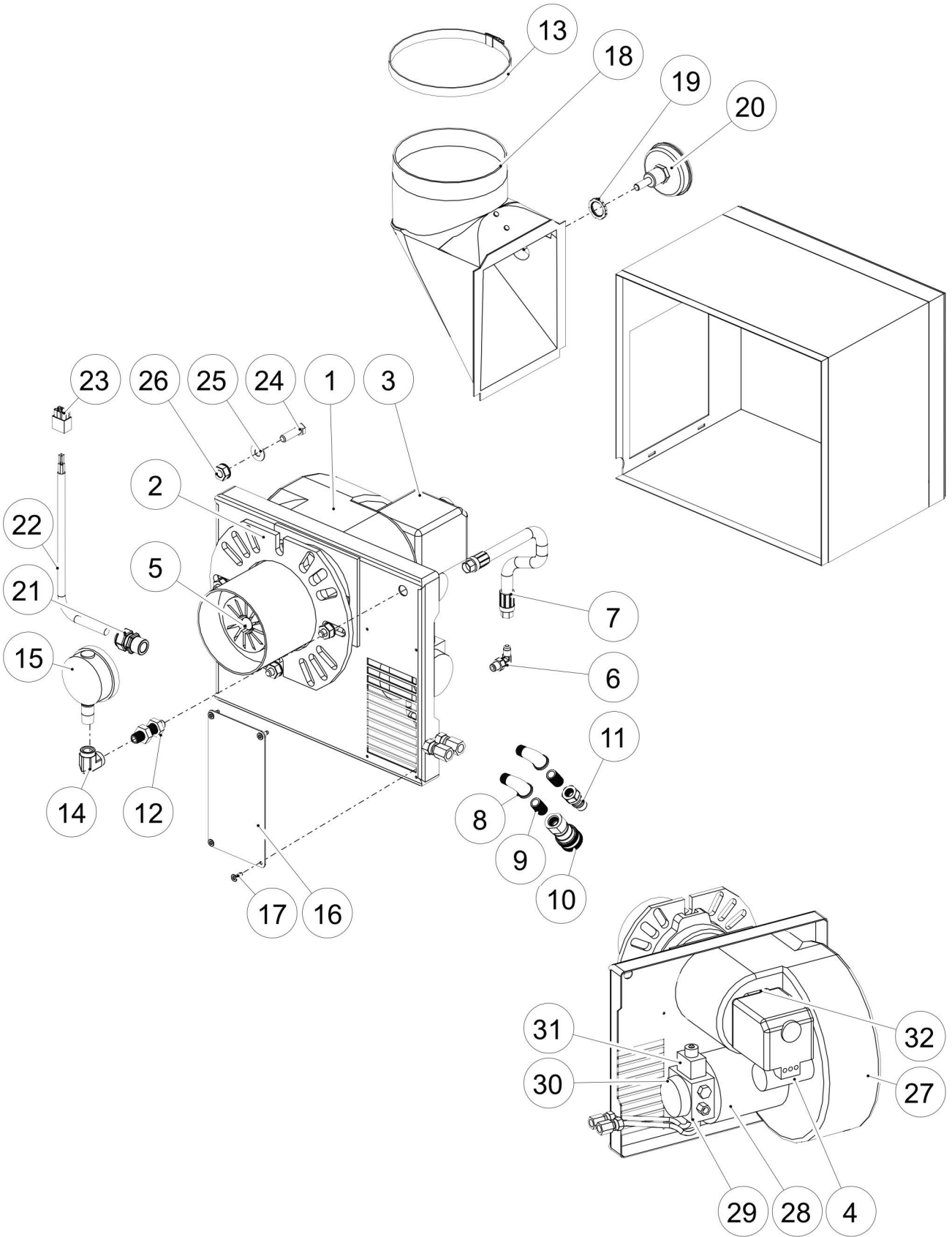




**Central Heating Unit
2100-DG-1800 Series
Fuel Preheater**

S/N: 23037 -
S/N: Current
PAGE: 6.1.2

Item No.	Part No.	Description	Qty.
1	010-702585	PRE-HTR FUEL MOD 2100 R05	1
2	018-905693	PKG PLMB FUEL SPLY 2100-1800	1
3	005-700122	GAUGE TEMP 1/2MNPT BIMETAL 0-250F	1
4	011-702625	ADPTR 1/2 NPT X #6JIC 37DEG FLARE	2
5	011-700115	VLV BALL 1/2 400WOG STD BRS CGA NPTF	1
6	005-702757	NUT SPLIT WELLCAP 3/4FINE THREAD	1
7	005-700204	WELL F/AVTA/B 3/4 BRS BULB	1
8	011-702702	PLUG BRS 1/2 NPT SQ HD	1
9	011-702563	NIPL COMB 1/2NPTX3/8HB BRS	2
10	001-702551	CLP 2-EAR #18SS - 3/8ID HOSE	2
11	001-701423	BOLT CRG 1/4X1 PLTD	4
12	001-700042	NUT LKG NYL 1/4 UNC PLD	4

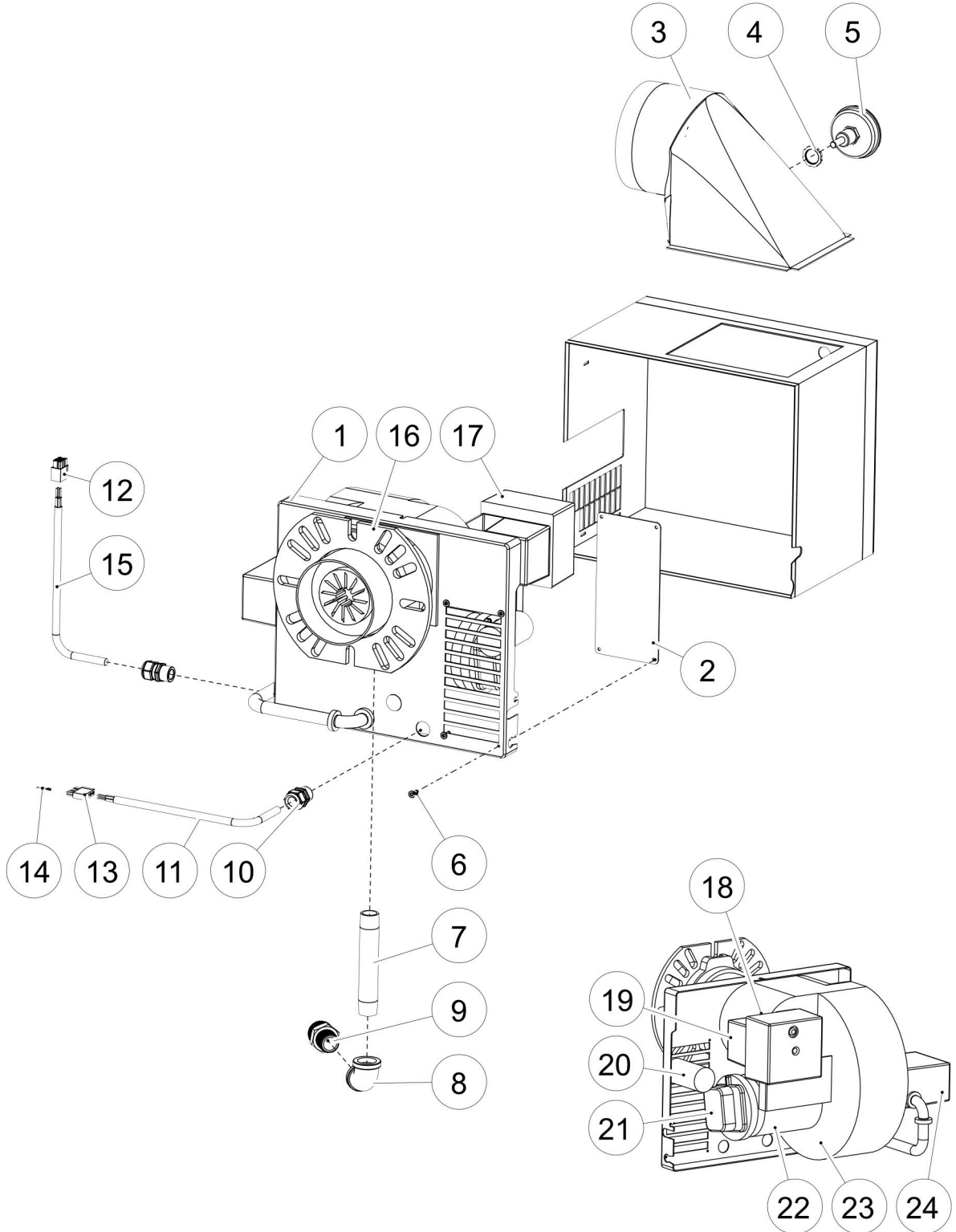




**Central Heating Unit
2100-DG-1800 Series
Diesel Burner**

S/N: 23037 -
S/N: Current
PAGE: 7.1.2

Item No.	Part No.	Description	Qty.
	018-905457	PKG BURNER DSL F20 900HCP/2100-DG-1800 (Includes 1-31)	1
1	012-702501	BURNER RIELLO 40-F20 FUEL OIL	1
	006-906338	CVR RIELLO F20 BURNER	1
2	006-702789	GSKT MNT RIELLO 40-F15/F20	1
3	006-702790	CNTRL PRIMARY RIELLO 40 F5/F20	1
4	006-702784	CAPACITOR RIELLO 40-F15/F20	1
5	011-702728	NOZZLE OIL BNR B 5.00X60DEG	1
6	011-702798	ADPTR 90DEG 1/8BSPP X 7/16JIC 37DEG FLARE	1
7	004-704661	FUEL LINE 1/4X10IN #6/#4JICF 37DEG STR SWVL	1
8	011-703790	ELB ST 1/4X90DEG BRS NPT	2
9	011-703824	NIPL 1/4X1(CL) BRS NPT	2
10	011-703822	QC CPLR 1/4 STL PLD NPTF	1
11	011-703823	QC NIPL 1/4 STL PLD NPTF	1
12	011-703015	ADPTR BHD 1/4NPTX9/16JIC 37DEG FLARE	1
13	001-702651	CLP HOSE HAS96 SLTD HEX HD SS	1
14	011-703016	ELB 1/4X90DEG PLD STEEL NPT	1
15	005-702511	GAUGE PRESS 0-300 PSI 1/4NPT LWR CONN	1
16	004-702739	PLT 16GAX3-3/4X7-3/4	1
17	001-700803	RIVET 5/32 GRP .3125-.375 SS	4
18	004-702520	DUCT TOP TAKE OFF 6 IN	1
19	002-701131	LOCKNUT 1/2 STL CONDUIT	1
20	005-700122	GAUGE TEMP 1/2MNPT BIMETAL 0-250F	1
21	002-704262	CONN STRN/RLF 1/2 .24-.47 CE/CSA	1
22	002-902118	CABLE SOW 4C16	1 FT
23	002-904981	CONN PLUG 6-PIN 0.084 MOLEX	1
24	001-700960	BOLT 3/8X1-1/4 PLD GR5	4
25	001-700719	WSHR FLT 3/8 PLD	4
26	001-700721	NUT LKG NYL 3/8 UNC PLD	4
27	006-902844	FAN RIELLO F15/F20/G750/G900	1
28	006-702783	MOTOR RIELLO 40-F15/F20/G750/G900	1
29	006-702792	KEY PUMP DRIVE RIELLO 40-F5/F20	1
30	006-702794	PUMP RIELLO 40-F20	1
31	006-702785	COIL OIL VLV RIELLO 40-F5/F20	1
32	006-703402	ELECTRODE ASSY 5IN RIELLO 40-F15/F20	1
		The following components may not be shown	
	002-704007	CONN PIN MALE 14-20AWG TIN	5
	006-702788	PHOTOCELL RIELLO 40-F5/F20	1
	006-702796	PKG SERVICE RIELLO 40-F20 FUEL OIL	1

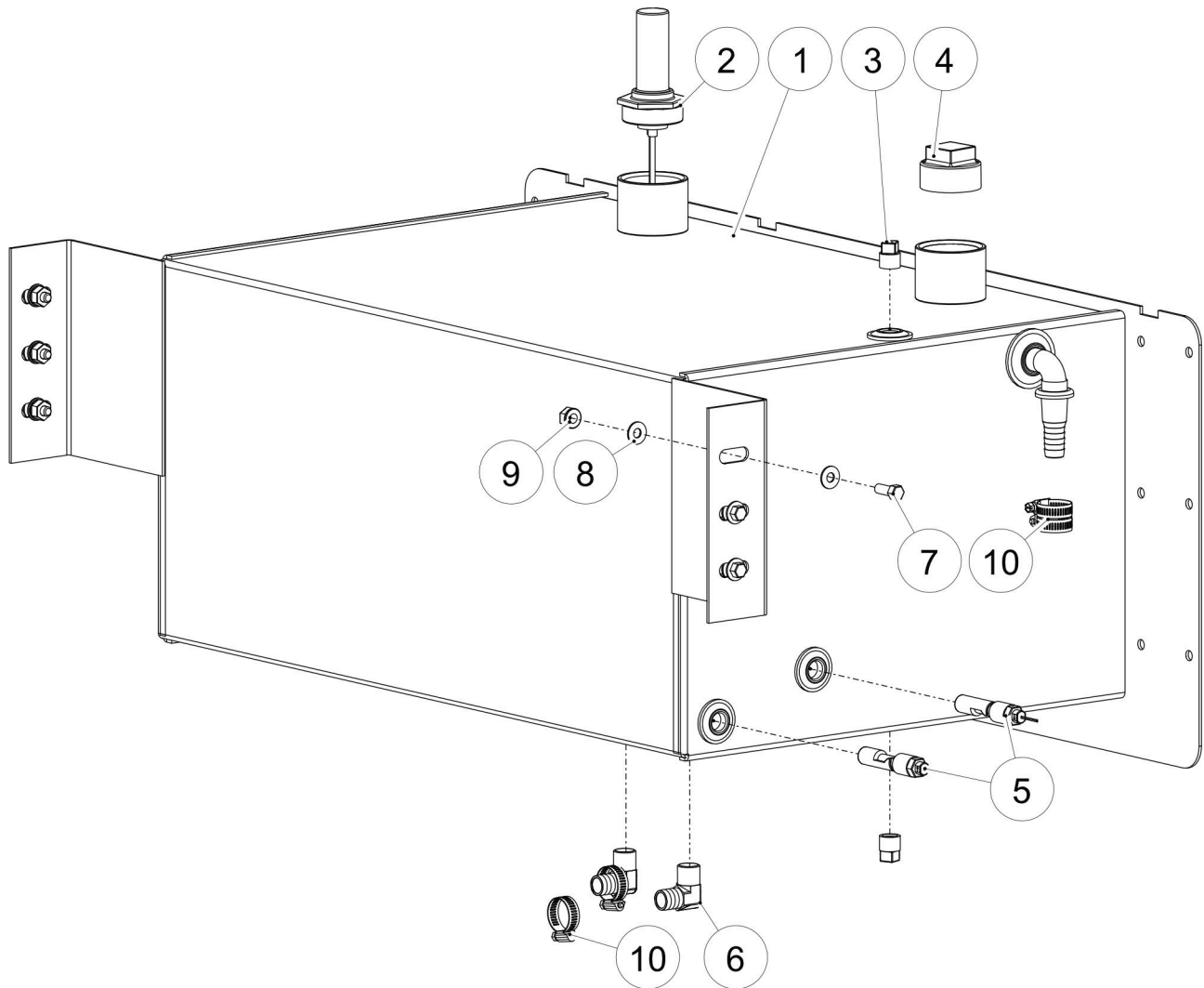




**Central Heating Unit
2100-DG-1800 Series
NG/PN Burner**

S/N: 23037 -
S/N: Current
PAGE: 7.1.4

Item No.	Part No.	Description	Qty.
	018-905457	PKG BURNER DSL F20 900HCP/2100-DG-1800 (Includes 1-31)	2
1	012-702501	BURNER RIELLO 40-F20 FUEL OIL	1
	006-906338	CVR RIELLO F20 BURNER	1
2	006-702789	GSKT MNT RIELLO 40-F15/F20	1
3	006-702790	CNTRL PRIMARY RIELLO 40 F5/F20	1
4	006-702784	CAPACITOR RIELLO 40-F15/F20	1
5	011-702728	NOZZLE OIL BNR B 5.00X60DEG	1
6	011-702798	ADPTR 90DEG 1/8BSPP X 7/16JIC 37DEG FLARE	1
7	004-704661	FUEL LINE 1/4X10IN #6/#4JICF 37DEG STR SWVL	1
8	011-703790	ELB ST 1/4X90DEG BRS NPT	2
9	011-703824	NIPL 1/4X1(CL) BRS NPT	2
10	011-703822	QC CPLR 1/4 STL PLD NPTF	1
11	011-703823	QC NIPL 1/4 STL PLD NPTF	1
12	011-703015	ADPTR BHD 1/4NPTX9/16JIC 37DEG FLARE	1
13	001-702651	CLP HOSE HAS96 SLTD HEX HD SS	1
14	011-703016	ELB 1/4X90DEG PLD STEEL NPT	1
15	005-702511	GAUGE PRESS 0-300 PSI 1/4NPT LWR CONN	1
16	004-702739	PLT 16GAX3-3/4X7-3/4	1
17	001-700803	RIVET 5/32 GRP .3125-.375 SS	4
18	004-702520	DUCT TOP TAKE OFF 6 IN	1
19	002-701131	LOCKNUT 1/2 STL CONDUIT	1
20	005-700122	GAUGE TEMP 1/2MNPT BIMETAL 0-250F	1
21	002-704262	CONN STRN/RLF 1/2 .24-.47 CE/CSA	1
22	002-902118	CABLE SOW 4C16	1 FT
23	002-904981	CONN PLUG 6-PIN 0.084 MOLEX	1
24	001-700960	BOLT 3/8X1-1/4 PLD GR5	4
25	001-700719	WSHR FLT 3/8 PLD	4
26	001-700721	NUT LKG NYL 3/8 UNC PLD	4
27	006-902844	FAN RIELLO F15/F20/G750/G900	1
28	006-702783	MOTOR RIELLO 40-F15/F20/G750/G900	1
29	006-702792	KEY PUMP DRIVE RIELLO 40-F5/F20	1
30	006-702794	PUMP RIELLO 40-F20	1
31	006-702785	COIL OIL VLV RIELLO 40-F5/F20	1
32	006-703402	ELECTRODE ASSY 5IN RIELLO 40-F15/F20	1
		The following components may not be shown	
	002-704007	CONN PIN MALE 14-20AWG TIN	5
	006-702788	PHOTOCELL RIELLO 40-F5/F20	1
	006-702796	PKG SERVICE RIELLO 40-F20 FUEL OIL	1

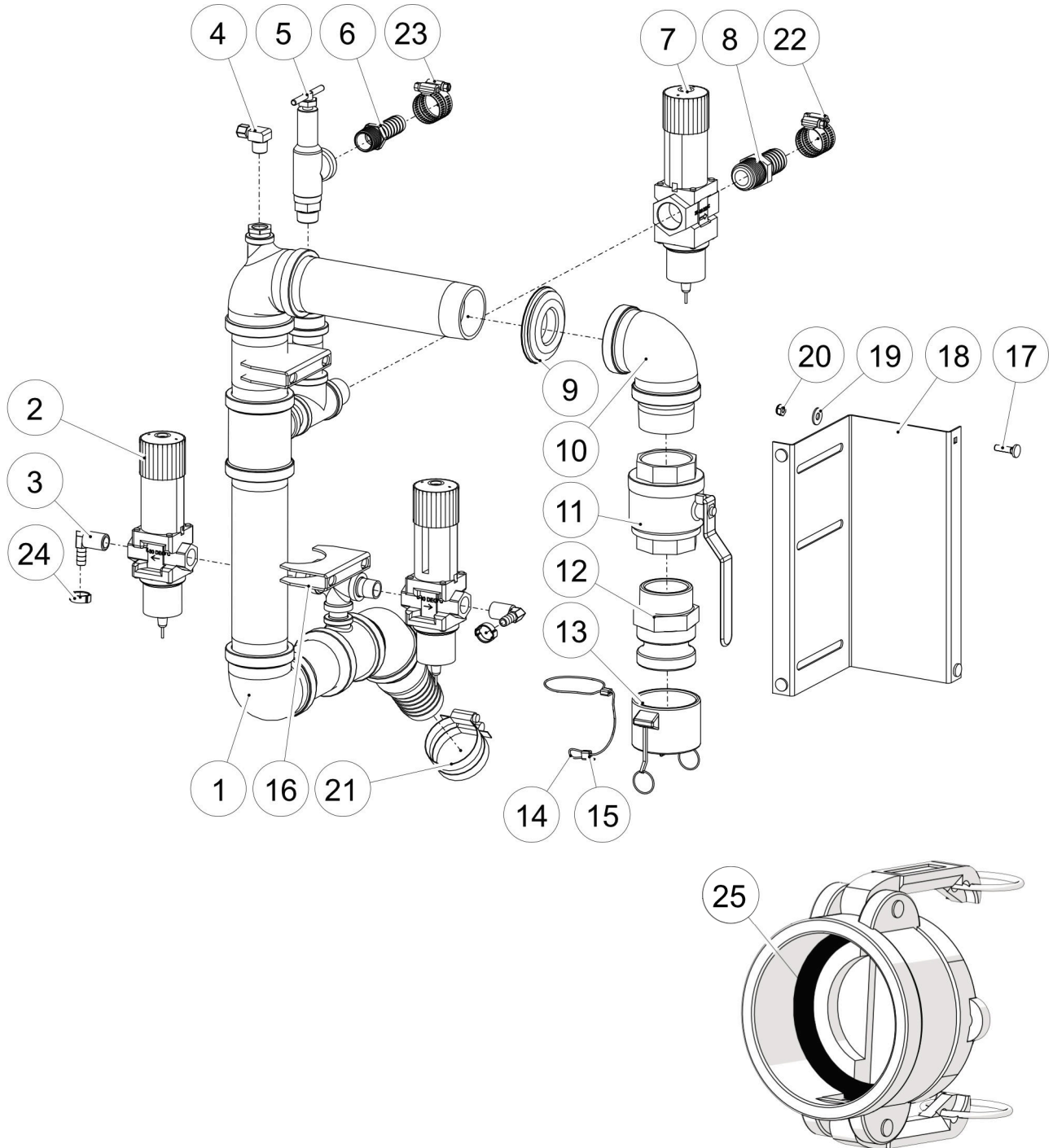




**Central Heating Unit
2100-DG-1800 Series
Glycol Tank**

S/N: 23037 -
S/N: Current
PAGE: 8.1.2

Item No.	Part No.	Description	Qty.
1	004-905533	TANK GLY 2100-1800	1
2	005-703701	GAUGE LVL 13IN SS 2IN NPT	1
3	011-700073	PLUG 1/2 SQ HD MI NPTM	1
4	011-700395	PLUG 2 SQ HD MI NPTM CL150/PN20	1
5	002-702012	SW-FLOAT FSH-31	2
6	011-704084	NIPL COMB 3/4NPTX3/4HB 90DEG BRS	2
7	001-700804	BOLT 3/8X1 PLD GR5	6
8	001-700719	WSHR FLT 3/8 PLD	12
9	001-700721	NUT LKG NYL 3/8 UNC PLD	6
10	001-701890	CLP HOSE 1-1/4 SIZE 12	4

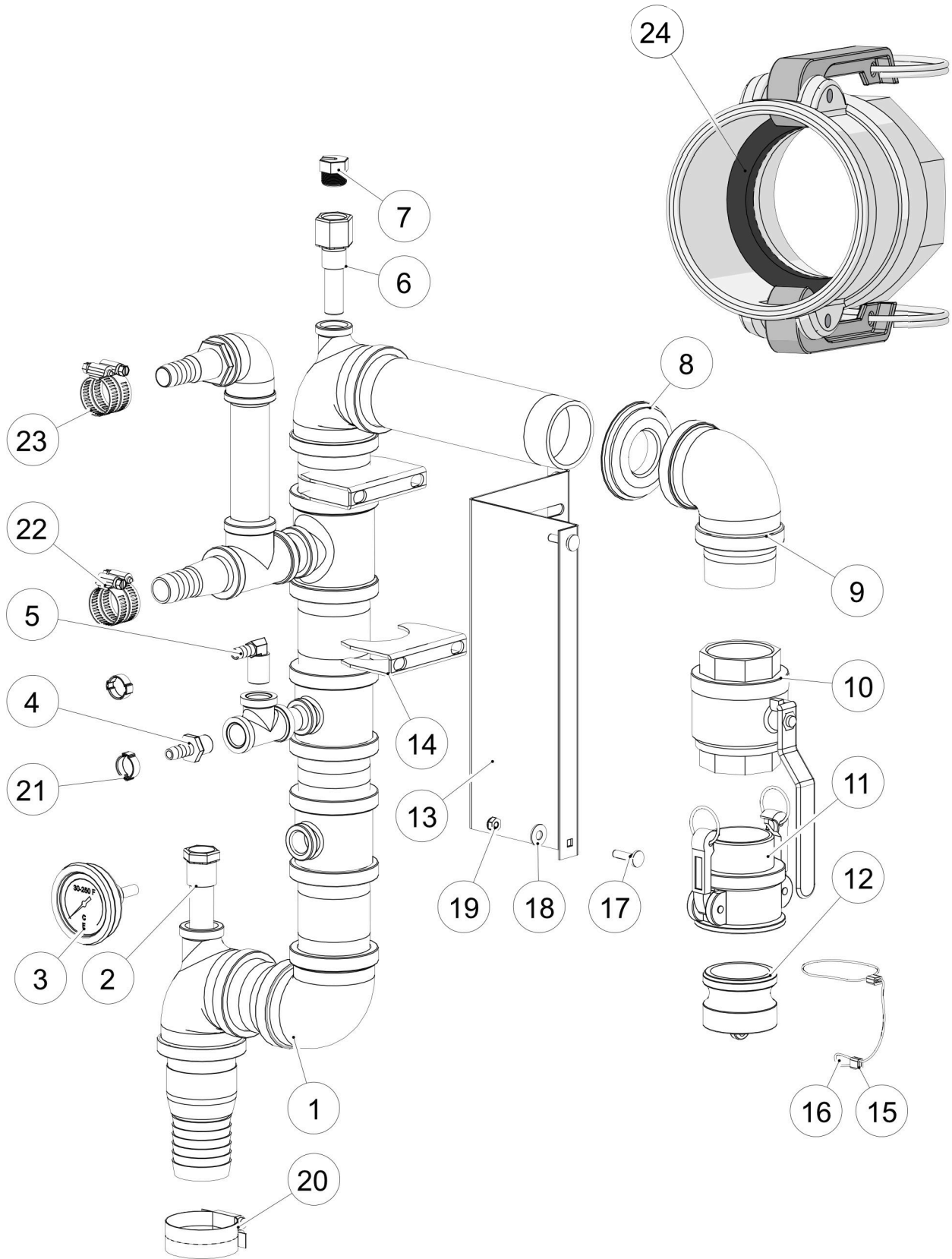




**Central Heating Unit
2100-DG-1800 Series
Supply Plumbing**

S/N: 23037 -
S/N: Current
PAGE: 9.1.2

Item No.	Part No.	Description	Qty.
1	018-905418	PKG PLMB 2100-1800 SPLY	1
2	005-702505	VLV DANFOSS 1/2IN AVTB 15 0-30 DEG C TEMP RNG	2
3	011-900594	NIPL COMB 90ELB 1/2MPT X 3/8HB BRS	2
4	011-701077	CPRSN FTG ELB 1/4TX3/8 90DEG MPT	1
5	005-700121	VLV BYPASS PRESS RLF 3/4 BRS	1
6	011-702701	NIPL COMB 3/4NPTX3/4HB BRS	1
7	005-700120	VLV MOD DANFOSS AVTB 25 1 TEMP REG	1
8	011-702153	NIPL COMB 1*1 BRS ADPTR	1
9	009-700157	GROM 2.1X3.25 RBR PIPE 2	1
10	018-701619	PKG EXT PLMB RAYPAK CAB	1
11	011-701442	VLV BALL 2 FL PT CSA/UL	1
12A	011-700278	KMLCK 2 PART F ADPTR AL NPTM	1
12B	011-903555	KMLCK 2 PART F ADPTR NPTM BRS	1
13A	011-700390	KMLCK 2 PART DC DUST CAP AL	1
13B	011-903556	KMLCK 2 PART DC DUST CAP BRS	1
14	001-700451	CABLE ACFT 7X7 1/16 GALV	18 IN
15	001-700450	SLEEVE OVAL 1/16 AL CABLE	2
16	004-700595	SADDLE EXT BODY 2-1/4 MUF CLP 2 PIPE SCH40	2
17	001-701423	BOLT CRG 1/4X1 PLTD	4
18	004-702479	BRKT PLMB MOUNT MOD 2100-0900 CAB R01	1
19	001-700129	WSHR FLT 1/4 PLD	4
20	001-700042	NUT LKG NYL 1/4 UNC PLD	4
21A	001-700337	CLP HOSE HS32 2-1/2 SLTD HEX HD SS	2
21B	001-901471	CLP HOSE HEAVY-DUTY 59-63MM <small>Recommended</small>	2
22	001-700275	CLP HOSE HAS16 SLTD HEX HD SS	2
23	001-701890	CLP HOSE 1-1/4 SIZE 12	2
24	001-702551	CLP 2-EAR #18SS - 3/8ID HOSE	2
25A	006-702959	GSKT 2IN KMLCK CPLR STD	1
25B	006-702962	GSKT 2IN KMLCK CPLR THICK	1
25C	006-900823	GSKT 2IN KMLCK CPLR SILICONE RBR	1

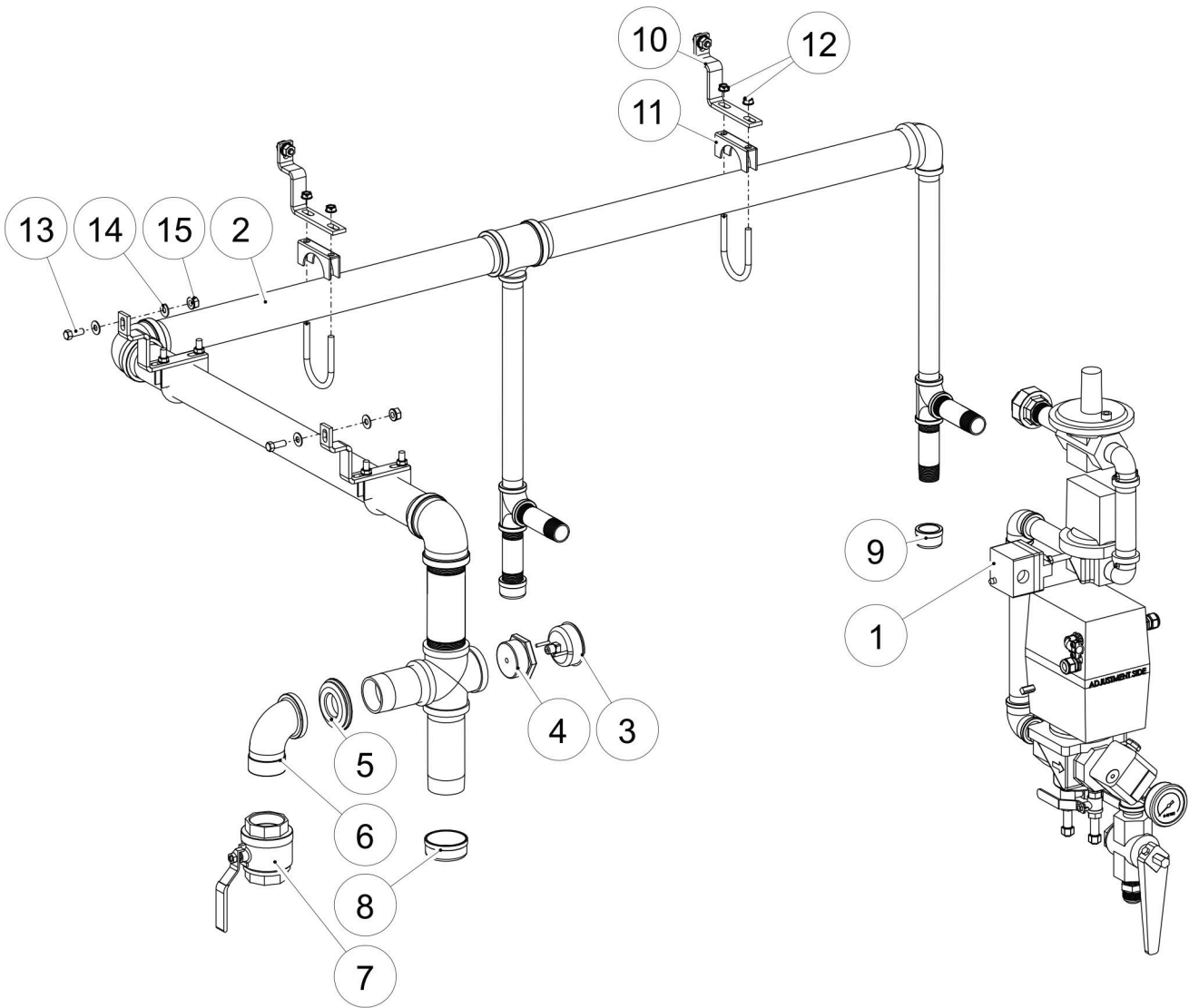




**Central Heating Unit
2100-DG-1800 Series
Return Plumbing**

S/N: 23037 -
S/N: Current
PAGE: 9.1.4

Item No.	Part No.	Description	Qty.
1	018-905423	PKG PLMB 2100-1800 RTN	1
2	005-700204	WELL F/AVTA/B 3/4 BRS BULB	1
3	005-700122	GAUGE TEMP 1/2MNPT BIMETAL 0-250F	1
4	011-702563	NIPL COMB 1/2NPTX3/8HB BRS	1
5	011-900594	NIPL COMB 90ELB 1/2MPT X 3/8HB BRS	1
6	005-702592	WELL THERM BRS 4-3/8IN .385 BORE 1/2IN NPT	1
7	005-702757	NUT SPLIT WELLCAP 3/4FINE THREAD	1
8	009-700157	GROM 2.1X3.25 RBR PIPE 2	1
9	018-701619	PKG EXT PLMB RAYPAK CAB	1
10	011-701442	VLV BALL 2 FL PT CSA/UL	1
11A	011-700279	KMLCK 2 PART B CPLR AL NPTM	1
11B	011-903554	KMLCK 2 PART B CPLR BRS	1
12A	011-700391	KMLCK 2 PART DP DUST PLUG AL	1
12B	011-903557	KMLCK 2 PART DP DUST PLUG BRS	1
13	004-702479	BRKT PLMB MOUNT MOD 2100-0900 CAB R01	1
14	004-700595	SADDLE EXT BODY 2-1/4 MUF CLP 2 PIPE SCH40	2
15	001-700450	SLEEVE OVAL 1/16 AL CABLE	2
16	001-700451	CABLE ACFT 7X7 1/16 GALV	18 IN
17	001-701423	BOLT CRG 1/4X1 PLTD	4
18	001-700129	WSHR FLT 1/4 PLD	4
19	001-700042	NUT LKG NYL 1/4 UNC PLD	4
20A	001-700337	CLP HOSE HS32 2-1/2 SLTD HEX HD SS	2
20B	001-901471	CLP HOSE HEAVY-DUTY 59-63MM <small>Recommended</small>	2
21	001-702551	CLP 2-EAR #18SS - 3/8ID HOSE	2
22	001-700275	CLP HOSE HAS16 SLTD HEX HD SS	2
23	001-701890	CLP HOSE 1-1/4 SIZE 12	2
24A	006-702959	GSKT 2IN KMLCK CPLR STD	1
24B	006-702962	GSKT 2IN KMLCK CPLR THICK	1
24C	006-900823	GSKT 2IN KMLCK CPLR SILICONE RBR	1

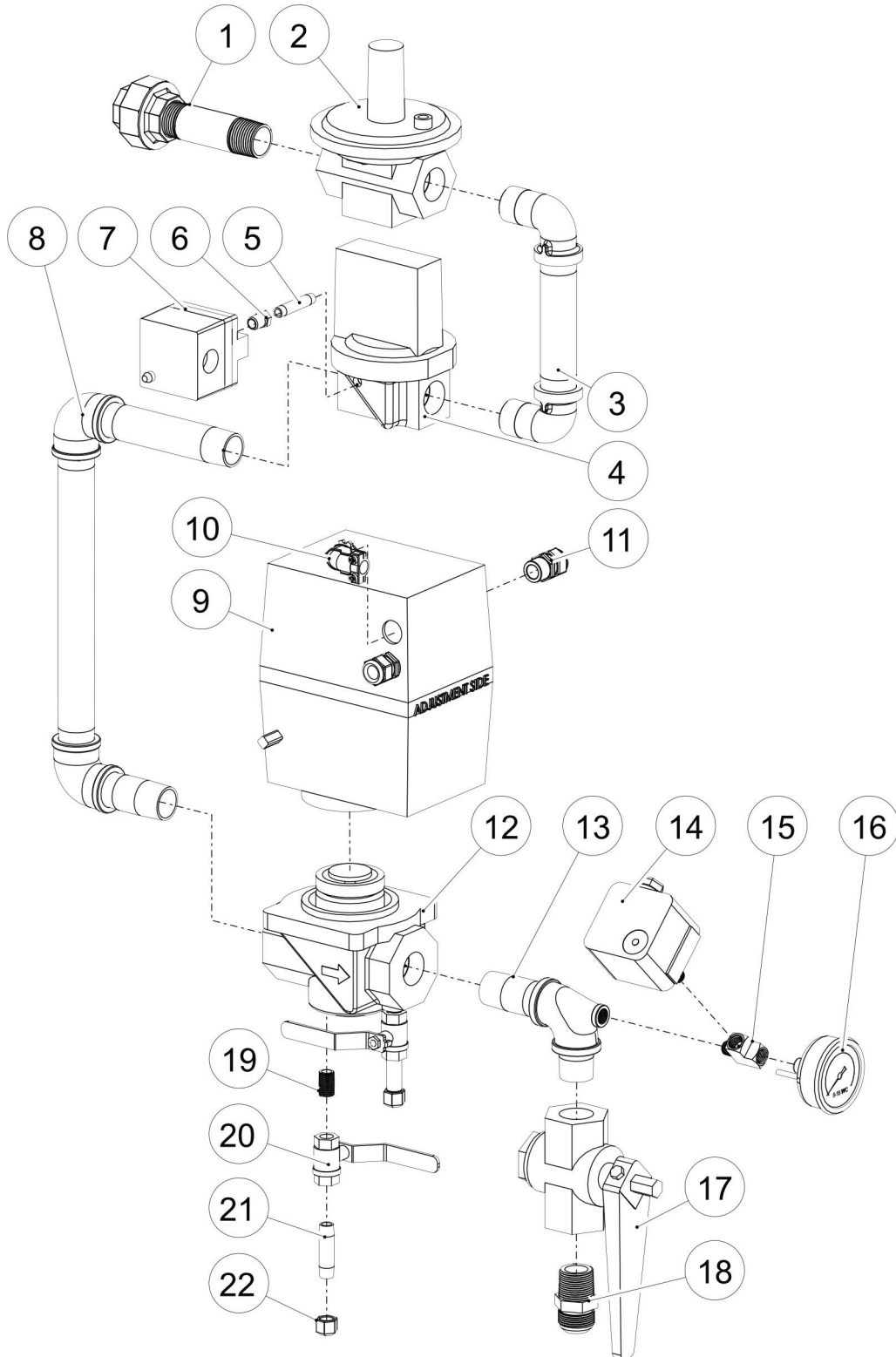




**Central Heating Unit
2100-DG-1800 Series
Gas Feed Line**

S/N: 23037 -
S/N: Current
PAGE: 10.1.2

Item No.	Part No.	Description	Qty.
1		GAS TRAIN - see page 10.1.3	
2	018-905670	ASSY GAS FEED LINE 2100-1800	1
3	005-906944	GAUGE LO PRESS 0-32IN WC PNL 2 1-2IN	1
4	011-905806	BSHG RDCG 2X1/4 MI NPT	1
5	009-700157	GROM 2.1X3.25 RBR PIPE 2	1
6	011-704524	ELB ST 2X90 DEG BRS	1
7	011-701442	VLV BALL 2 FL PT CSA/UL	1
8	011-700113	CAP 2 MI CL150 NPT PNTD BLK	1
9	011-700114	CAP 1 MI CL150 NPT	2
10	004-905649	BRKT GAS TRAIN SPRT 2100-1800	4
11	001-700143	CLP MUF 2-1/4 3/8UNC PLD	4
12	001-700890	NUT 3/8 PLD	8
13	001-700804	BOLT 3/8X1 PLD GR5	4
14	001-700719	WSHR FLT 3/8 PLD	8
15	001-700721	NUT LKG NYL 3/8 UNC PLD	4

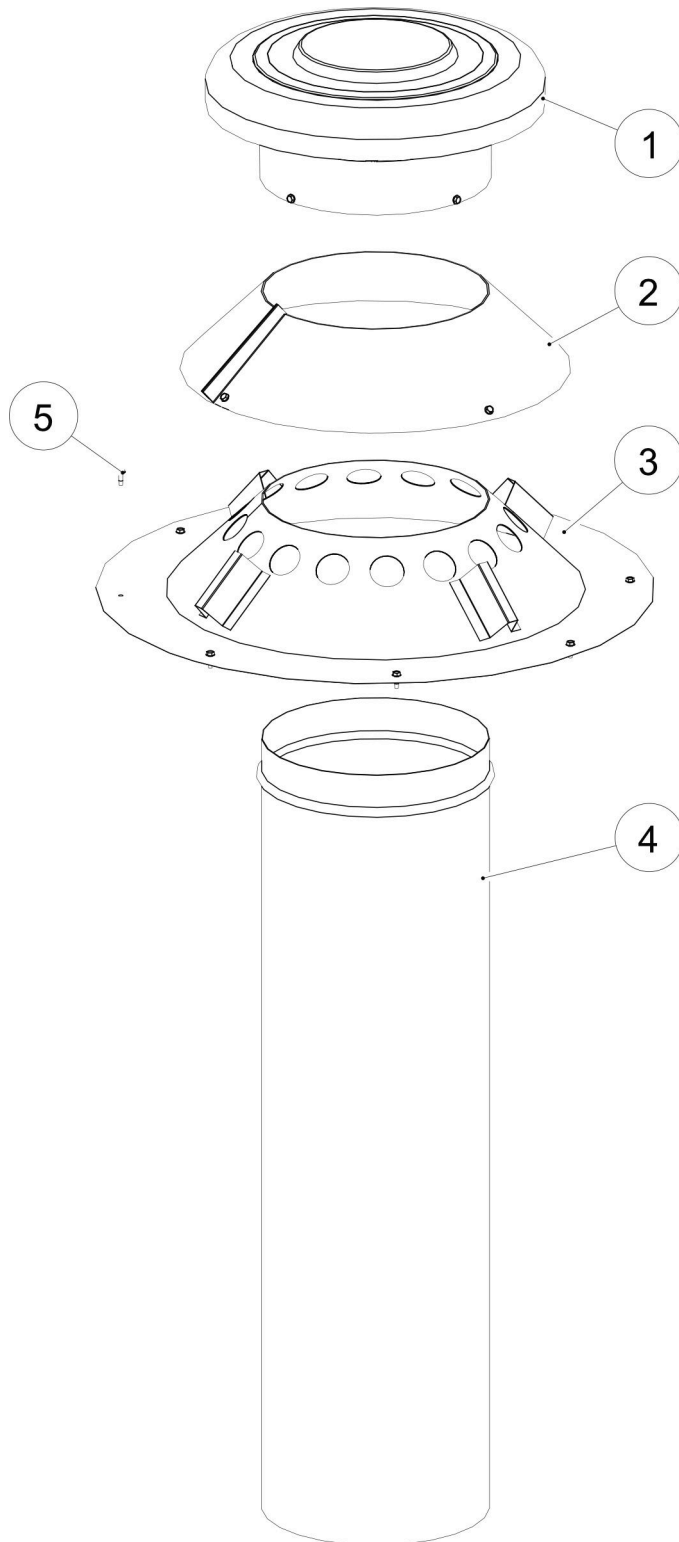




**Central Heating Unit
2100-DG-1800 Series
Gas Train**

S/N: 23037 -
S/N: Current
PAGE: 10.1.4

Item No.	Part No.	Description	Qty.
1	018-905599	PKG PLMB GAS TRAIN SPLY 2100-1800	1
2	005-704155	RGLTR GAS 1 MAX RV61 RIELLO 40-G750	1
3	018-905601	PKG PLMB GAS TRAIN SHORT U 2100-1800	1
4	006-901788	VLV SAFETY GAS V48A2169 RIELLO 40-G900	1
5	011-703795	NIPL 1/8X2 BRS NPT	1
6	011-703793	BSHG RDCG 1/4X1/8 BRS NPT	1
7	006-901784	SW LGP HONEYWELL C6097A 1012/DUNG GML-A4-4-4	1
8	018-905602	PKG PLMB GAS TRAIN LONG U 2100-1800	1
9	006-901787	ACTUATOR 120 VOLTS V4062A-1131 RIELLO 40-G900	1
10	002-800025	CONNECTOR 3/8 90DEG BX/FLEX	1
11	002-704262	CONN STRN/RLF 1/2 .24-.47 CE/CSA	2
12	006-901786	VLV BODY V5055B-1002 RIELLO 40-G900	1
13	018-905600	PKG PLMB GAS TRAIN OUTLET 2100-1800	1
14	006-901785	SW HGP HONEYWELL C6097B 1028 OR DUNGS GMH-A4-4-4	1
15	011-905945	TEE ST 1/4IN	1
16	005-703490	GAUGE LO-PRESS 0-15IN WC PNL 2-1/2IN WIKA	1
17		G900 GAS SHUT OFF VALVE - CALL DRYAIR	1
18	011-901736	ADPTR 1MJIC 37X1MPT STL	1
19	011-703824	NIPL 1/4X1(CL) BRS NPT	2
20	011-902576	VLV BALL 1/4 400WOG STD BRS CGA NPTF	2
21	011-703796	NIPL 1/4X2 BRS NPT	2
22	011-703794	CAP PIPE 1/4 BRS NPT	2

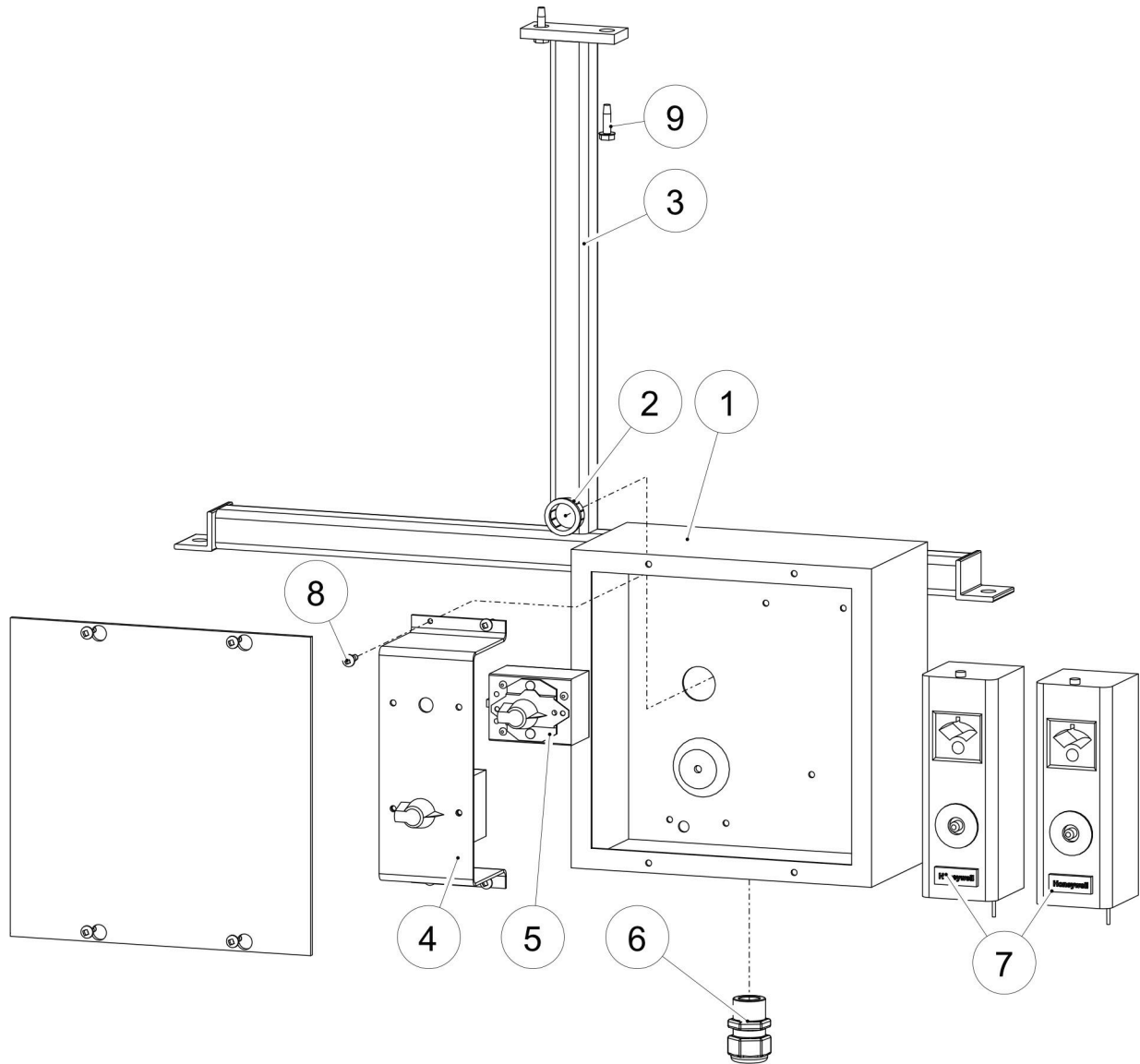




**Central Heating Unit
2100-DG-1800 Series
Chimney**

S/N: 23037 -
S/N: Current
PAGE: 11.1.2

Item No.	Part No.	Description	Qty.
1A	004-702518	CHMNY CAP 10IN CHINA GALV	1
1B	004-903587	CHMNY CAP 10IN SS	1
2A	004-702571	STORM COLLAR 10IN MOD 2100	1
2B	004-903590	STORM COLLAR 10IN SS	1
3A	004-702658	FLSHG ROOF VENT 10IN MOD 2100	1
3B	004-903589	FLSHG ROOF VENT 10IN SS	1
4A	004-702516	CHMNY PIPE 10X36 LONG 24 GA SNAP LOCK	1
4B	004-903588	CHMNY PIPE 10X36L 24GA SNAP LOCK SS	1
5	001-703424	SCRW D/T 10-16X5/8 5/16HEX HD PLD	16

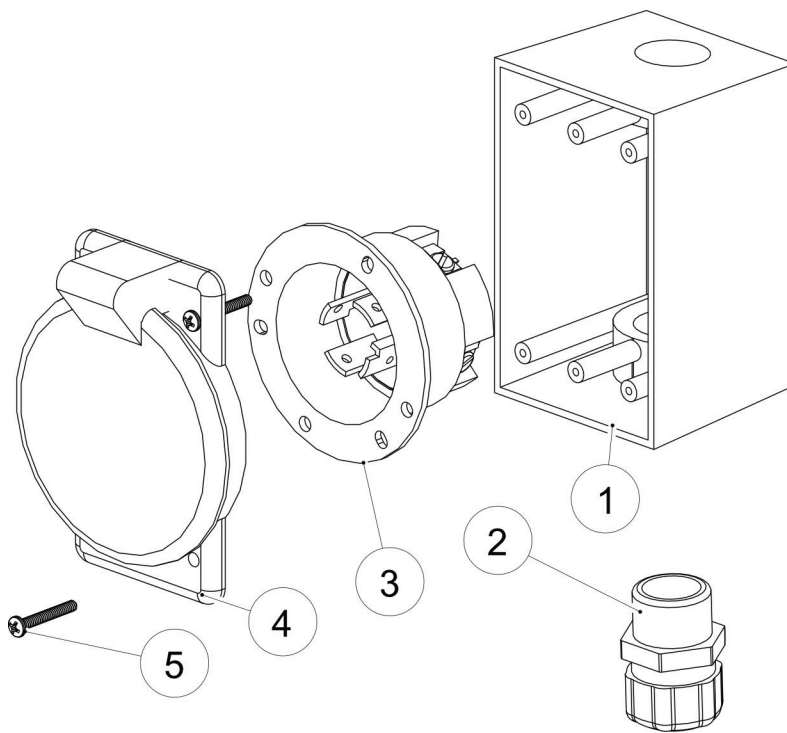




**Central Heating Unit
2100-DG-1800 Series
High Limit Remote**

S/N: 23037 -
S/N: Current
PAGE: 12.1.2

Item No.	Part No.	Description	Qty.
1	002-905595	BOX ELEC 8X8X4 STL	1
2	002-701115	BSHG KO 1/2	1
3	004-905682	BRKT SPRT HI LIMIT REMOTE 2100-1800	1
4	004-905596	BRKT MNT 2X AUTO HI LIMIT	1
5A	006-701532	HI-LIMIT G1-11452 (1223)	2
5B	006-904930	KNOB HI LIMIT PLASTIC 1-1/4 HEAD 8-32 SET SCREW	2
6	002-704262	CONN STRN/RLF 1/2 .24-.47 CE/CSA	1
7	006-702140	CNTRL HI LIMIT MAN RESET	2
8	001-702775	SCRW SH MET #8X1/2 PAN HD	8
9	001-700236	SCRW D/T 10-24X3/4 5/16 HEX HD	6

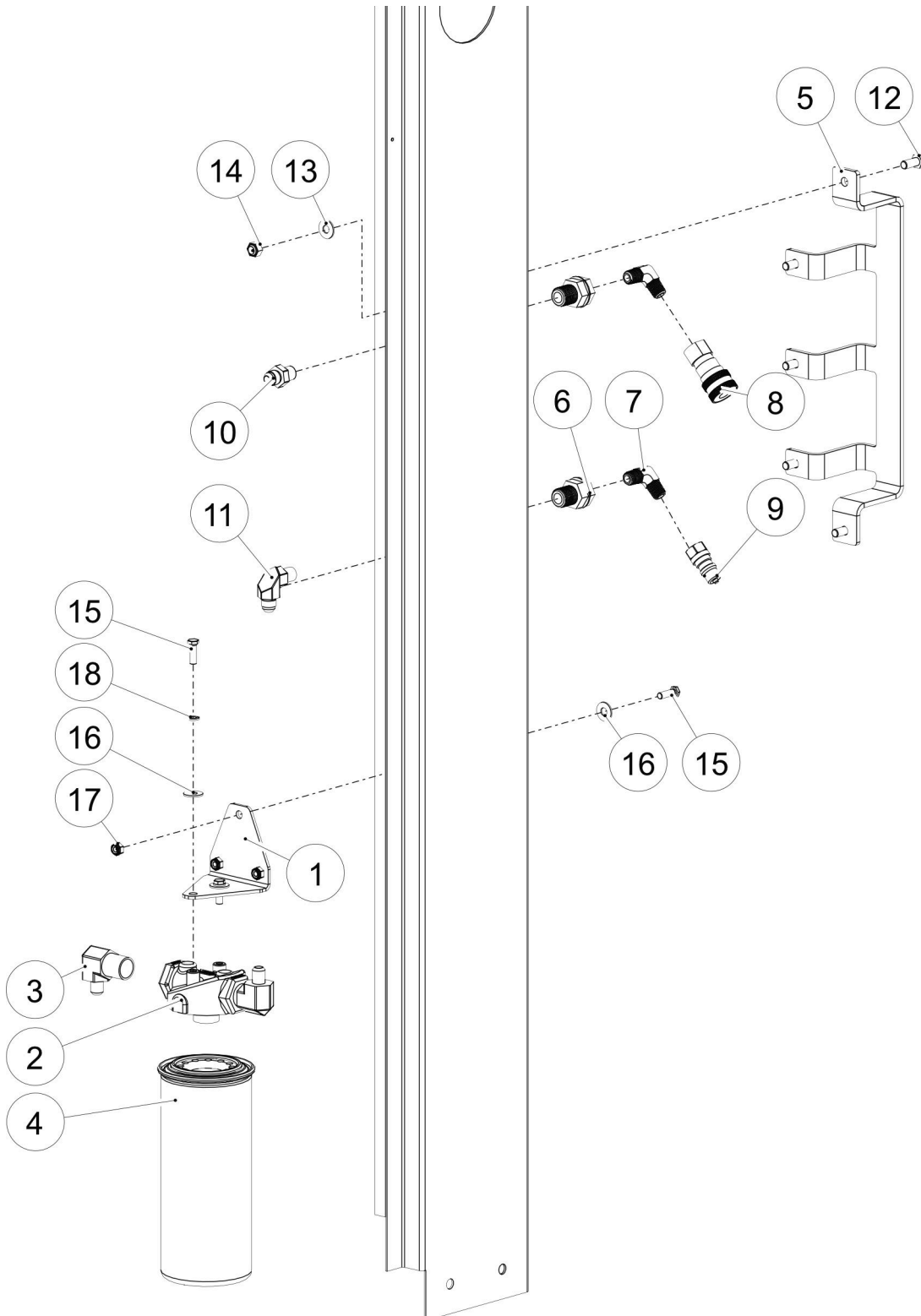




**Central Heating Unit
2100-DG-1800 Series
Electrical**

S/N: 23037 -
S/N: Current
PAGE: 13.1.2

Item No.	Part No.	Description	Qty.
1	002-704221	BOX ELEC 2-5/8IN WTHPRF DIE-CAST AL 3/4IN HUB	1
2	002-700046	CONNECTOR STRN/RLF 3/4 .625-.750 CABLE RNG	1
3	002-900758	RCTP FLANGED INLET TWIST LOCK 30A 125/250V	1
4	002-900759	CVR RCPT FLANGED INLET TWIST LOCK W/P	1
5	001-701762	SCRW MACH 6-32X1	4

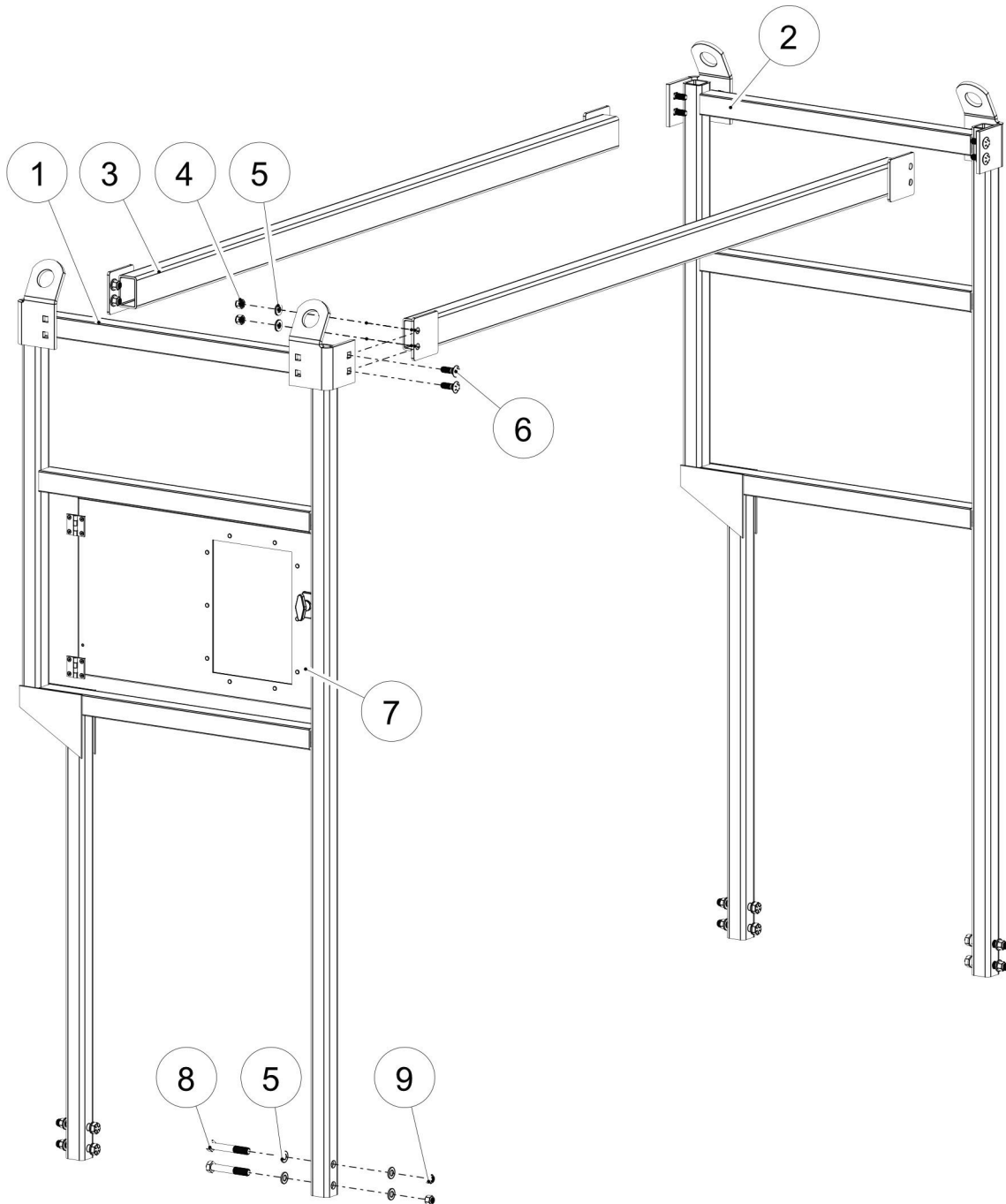




**Central Heating Unit
2100-DG-1800 Series
Fuel Components**

S/N: 23037 -
S/N: Current
PAGE: 14.1.2

Item No.	Part No.	Description	Qty.
1	004-902777	BRKT MNT FUEL FLTR	1
2	012-702587	ADPTR FUEL FILTER MTG AL	1
3	011-901129	ADPTR 90ELB #6JIC 37X3/4 MPT STL	2
4	012-702588	FILTER FUEL OIL PART/WTR COMB	1
5	004-905093	SHIELD DSL CONN 2100	1
6	011-704229	BLKHD 1/2NPTMX1/4NPTF BRS	2
7	011-904586	ELB 1/4X90DEG NPT MALE BRS	2
8	011-703822	QC CPLR 1/4 STL PLD NPTF	1
9	011-703823	QC NIPL 1/4 STL PLD NPTF	1
10	011-702660	ADPTR 1/4NPT X 9/16JIC 37DEG FLARE	1
11	011-900604	ADPTR 90ELB 3/8MJIC 37 DEG X 1/4 MPT STL	1
12	001-700958	BOLT 5/16X3/4 PLD GR5	5
13	001-700742	WSHR FLT 5/16 PLD	5
14	001-700741	NUT LKG NYL 5/16 UNC PLD	5
15	001-701482	BOLT 1/4X3/4 PLD GR5	5
16	001-700129	WSHR FLT 1/4 PLD	5
17	001-700042	NUT LKG NYL 1/4 UNC PLD	3
18	001-700934	WSHR LOCK 1/4 PLD	2





**Central Heating Unit
2100-DG-1800 Series
Lift Frame**

S/N: 23037 -
S/N: Current
PAGE: 15.1.2

Item No.	Part No.	Description	Qty.
	000-905801	PKG LIFT FRAME 2100-DG-1800 (Includes 1-6,8,9)	1
1	004-905793	WELDMENT LIFT FRAME FRONT 2100-1800	1
2	004-905794	WELDMENT LIFT FRAME REAR 2100-1800	1
3	004-905799	WELDMENT LIFT FRAME SIDE 2100-1800	2
4	001-905307	NUT LKG NYL 1/2 UNC GR8 PLD	8
5	001-700100	WSHR FLT 1/2 PLT PLD	24
6	001-905306	BOLT CRG 1/2X1-1/2 GR8 PLD	8
7	018-905704	PKG DOOR CTRL PNL 2100-1800 LIFT FRAME	1
8	001-905309	BOLT 5/8X4 PLD GR8 HXHD	8
9	001-905307	NUT LKG NYL 1/2 UNC GR8 PLD	8
		The following components may not be shown	
	017-905802	SLING 4X7FT-6IN 10300LB @ 60 DEGREES <small>(Not included in 000-905801 PKG)</small>	



**Central Heating Unit
2100-DG-1800 Series
Hoses and Fuel Lines**

S/N: 23037 -
S/N: Current
PAGE: 16.1.1

Item No.	Part No.	Description	Qty.
		DANFOSS TO BOTTOM OF FUEL PRE HTR	
	013-702633	HOSE 3/8 RED	22IN
		RETURN PLUMBING TO FUEL PRE HTR	
	013-702633	HOSE 3/8 RED	40IN
		DANFOSS TO AIR PRE HTR	
	013-702633	HOSE 3/8 RED	68IN
		RETURN PLUMBING TO AIR PRE HTR	
	013-702633	HOSE 3/8 RED	45IN
		PRESSURE RELIEF TO RETURN PLUMBING	
	013-702635	HOSE 3/4 RED	25IN
		GLY TANK TO PRIMARY HE	
	013-702635	HOSE 3/4 RED	37IN
		GLY TANK TO SECONDARY HE	
	013-702635	HOSE 3/4 RED	16IN
		GLY TANK OVERFLOW	
	013-702635	HOSE 3/4 RED	40IN
		GLY PRE HTR TO PRIMARY HE	
	013-701100	HOSE 1 EXPLORER AIR 50FT LN	40IN
		TEMP DANFOSS TO RETURN PLUMBING	
	013-702636	HOSE 1 RED	21IN
		SECONDARY HE TO PUMP SUPPLY	
	013-700267	HOSE 2 VERSIFLO CW WIRE HELIX	25IN
		PUMP OUTLET TO SUPPLY PLUMBING	
	013-700267	HOSE 2 VERSIFLO CW WIRE HELIX	14IN
		RETURN PLUMBING TO PRIMARY HE	
	013-700267	HOSE 2 VERSIFLO CW WIRE HELIX	90IN
		PRIMARY HE TO SECONDARY HE	
	013-700267	HOSE 2 VERSIFLO CW WIRE HELIX	30IN
		AIR PRE HTR TO PRIMARY BURNER	
	013-702615	DUCT FLEX 6INX25FT THERMAFLEX	54IN
		AIR PRE HTR TO SECONDARY BURNER	
	013-702615	DUCT FLEX 6INX25FT THERMAFLEX	54IN
		FUEL LINES	
	004-902992	FUEL LINE 3/8X25IN STR/90DEG #6JICF SWVL ENDS	1
	004-903171	FUEL LINE 3/8X110IN #6JIC FEM SWVL ENDS	1
	004-903534	FUEL LINE 3/8X43IN #6JIC FEM SWVL ENDS	3
	004-902257	FUEL LINE 3/8X24IN #6JICF SWVL 1/4NPTM ST	2
	004-900752	FUEL LINE 3/8X60IN #6JICF 37DEG STR SWVL ENDS	1



Central Heating Unit
2100-DG-1800 Series

S/N: 23037 -
S/N: Current
PAGE: 17.1.1

Decals



Item No.	Part No.	Description	Qty.
1A	003-700057	DECAL DRYAIR 20X3.35 05 BLUE VINYL R1	2
1B	003-906401	DECAL DRYAIR 16X2.48	2
2	003-702077	DECAL DRYAIR 20X3.35 WHITE VINYL R1	2
3A	003-700732	DECAL DRYAIR 16X2.68 05 BLUE VINYL R1	2
3B	003-906401	DECAL DRYAIR 16X2.48	2
4	003-700733	DECAL DRYAIR 16X2.68 WHITE VINYL R1	2
5	003-702655	DECAL HEAT THAW CURE DRY 28X1.79	2
6	003-906392	DECAL WWW.DRYAIR.CA 15X1.77 NEW BLUE	1
7	003-906544	DECAL DRYAIR HEAT DRY THAW CURE 16-3/4L	2
8	003-906554	DECAL CENTRAL HEATING UNIT 35-1/2L	2
9	003-906555	DECAL 1800CHU	2



Central Heating Unit 2100-DG-1800 Series Decals

S/N: 23037 -
S/N: Current
PAGE: 17.1.2

1

CAUTION! / ATTENTION!

WHEN THE SYSTEM IS OPERATING

1) ALL CABINET AND WATER HEATER DOOR PANELS MUST BE PLACED

2) THE CABINET PANEL AIR INTAKES MUST NOT BE BLOCKED

3) ALL ELECTRICAL AND WATER HEATER CONNECTIONS MUST BE SECURE

LORSQUE LE SYSTÈME FONCTIONNE

1) TOUS LES PANNEAUX DE PORTES ET DE CHAUFFE-EAU DOIVENT ÊTRE EN PLACE

2) LES PRISES D'AIR SUR LE PANNEAU DE LA MONTURE NE DOIVENT PAS ÊTRE BLOQUÉES

3) LES BRANCHEMENTS DES TUYAUX D'EAU CHAUDE ET ÉLECTRIQUES DOIVENT ÊTRE SÛRS

2

CAUTION! ATTENTION!

HOT / CHAUD GLYCOL

SHUT OFF BALL VALVES BEFORE CONNECTING/DISCONNECTING CAM-LOCKS

LE ROBINET À BILLE DOIT ÊTRE FERMÉ AVANT CONNEXION/DÉCONNEXION DE SERRURES

SUPPLY ALIMENTATION

3

CAUTION! ATTENTION!

HOT / CHAUD GLYCOL

SHUT OFF BALL VALVES BEFORE CONNECTING/DISCONNECTING CAM-LOCKS

LE ROBINET À BILLE DOIT ÊTRE FERMÉ AVANT CONNEXION/DÉCONNEXION DE SERRURES

RETURN RETOURNE

4

ATTENTION!

This unit is designed for use as a... (text continues in small font)

5

FUEL SUPPLY

CHECK MANUFACTURER'S DATA ON BURNER CHARGES... (text continues)

PROANE GAS

BEFORE OPERATING THE SYSTEM... (text continues)

RÉSERVE DE CARBURANT

VÉRIFIER LES CARACTÉRISTIQUES... (text continues)

GAZ PROPAANE

AVANT D'UTILISER LE SYSTÈME... (text continues)

6

Burner Lockout

Upon initial startup or in the event of a low fuel or gas incident the burner may lock out. The reset button on the burner front will be glowing orange.

Pressed as follows:

- Ensure all fuel/gas supply valves are open and that there are no leaks.
- Insert (if equipped) Low Gas Pressure switch and High Gas Pressure switch (both must be present).
- Depress Burner reset button. Burner should fire.
- Check for proper gas pressure.
- If Burner fails to light, the Burner will lockout again.

Multiple resets may be required to purge air from the fuel source.

FOR ADDITIONAL ASSISTANCE, CALL 1(888) 750 1700

7

8

TROUBLESHOOTING/DÉPANNAGE

INDICATOR LIGHTS

Check all indicator lights on the control panel... (text continues)

9

PROPYLENE GLYCOL HEAT TRANSFER FLUID

DO NOT MIX WITH WATER

DO NOT MIX WITH OTHER FLUIDS

DO NOT MIX WITH OTHER BRANDS

DO NOT MIX WITH OTHER TYPES

DO NOT MIX WITH OTHER VARIETIES

DO NOT MIX WITH OTHER GRADES

DO NOT MIX WITH OTHER SPECIFICATIONS

DO NOT MIX WITH OTHER MANUFACTURERS

DO NOT MIX WITH OTHER FORMULATIONS

DO NOT MIX WITH OTHER COMPOSITIONS

DO NOT MIX WITH OTHER INGREDIENTS

DO NOT MIX WITH OTHER ADDITIVES

DO NOT MIX WITH OTHER PRESERVATIVES

DO NOT MIX WITH OTHER STABILIZERS

DO NOT MIX WITH OTHER EMULSIFIERS

DO NOT MIX WITH OTHER SURFACTANTS

DO NOT MIX WITH OTHER POLYMERIZATION AGENTS

DO NOT MIX WITH OTHER CATALYSTS

DO NOT MIX WITH OTHER INHIBITORS

DO NOT MIX WITH OTHER ACCELERATORS

DO NOT MIX WITH OTHER RETARDERS

DO NOT MIX WITH OTHER PROMOTERS

DO NOT MIX WITH OTHER MODIFIERS

DO NOT MIX WITH OTHER ADJUVANTS

DO NOT MIX WITH OTHER AUXILIARIES

DO NOT MIX WITH OTHER ACCESSORIES

DO NOT MIX WITH OTHER SUPPLEMENTS

DO NOT MIX WITH OTHER ENHANCERS

DO NOT MIX WITH OTHER IMPROVERS

DO NOT MIX WITH OTHER OPTIMIZERS

DO NOT MIX WITH OTHER PERFORMERS

DO NOT MIX WITH OTHER BOOSTERS

DO NOT MIX WITH OTHER STRENGTHENERS

DO NOT MIX WITH OTHER SUPPORTERS

DO NOT MIX WITH OTHER MAINTAINERS

DO NOT MIX WITH OTHER PROTECTORS

DO NOT MIX WITH OTHER PRESERVERS

DO NOT MIX WITH OTHER STABILIZERS

DO NOT MIX WITH OTHER SECURERS

DO NOT MIX WITH OTHER GUARANTORS

DO NOT MIX WITH OTHER SAFEGUARDERS

DO NOT MIX WITH OTHER PROTECTORS

DO NOT MIX WITH OTHER PRESERVERS

DO NOT MIX WITH OTHER STABILIZERS

DO NOT MIX WITH OTHER SECURERS

DO NOT MIX WITH OTHER GUARANTORS

DO NOT MIX WITH OTHER SAFEGUARDERS

10

SAFETY FIRST LA SÉCURITÉ

RESPECT ALL SAFETY PRECAUTIONS AS OUTLINED BY OCCUPATIONAL HEALTH & SAFETY REFER TO SERVICE MANUAL FOR DETAILS

RESPECTEZ TOUTES LES PRÉCAUTIONS COMME DÉTAILLÉES DANS LE MANUEL DE SERVICE POUR LES DÉTAILS

11

HEAT TRANSFER FLUID LEVEL

SAFE OPERATING RANGE BETWEEN 1/4 AND 3/4 ON THE LEVEL GAUGE

CHECK FLUID LEVELS DAILY

USE ONLY APPROVED ANTIFREEZE (HTF) / WATER MIXTURE

NIVEAU DE FLUIDE CALOPORTEUR

GAMME DE FONCTIONNEMENT SÛRE ENTRE 1/4 ET 3/4 SUR LA JAUGE DE NIVEAU

VÉRIFIEZ LES NIVEAUX DE FLUIDE QUOTIDIENNEMENT

UTILISEZ MÉLANGE D'ANTI-GEL FLUIDE CALOPORTEUR/D'EAU

12

ADJUSTMENTS MUST BE DONE BY A QUALIFIED TECHNICIAN ONLY

ADJUSTMENTS DOIVENT ÊTRE FAITS PAR UN TECHNICIEN QUALIFIÉ SEULEMENT

DO NOT ADJUST! N'AJUSTEZ PAS!

13

GLYCOL/WATER GLYCOL/EAU GLYCOL/WATER GLYCOL/EAU

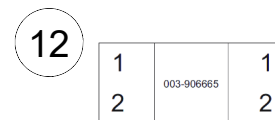
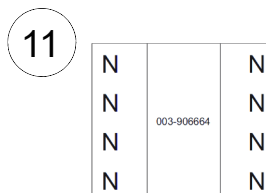
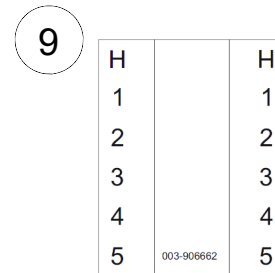
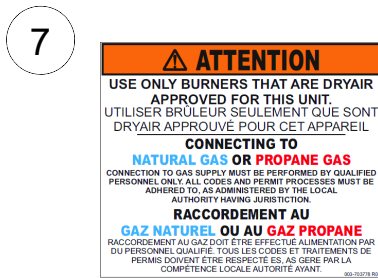
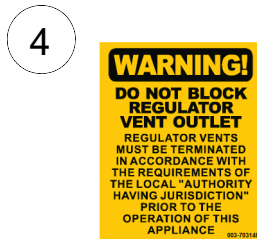
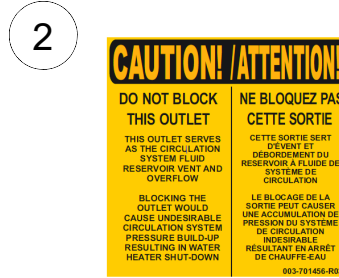
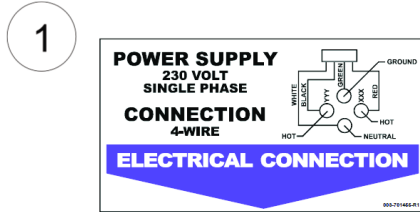
Item No.	Part No.	Description	Qty.
1	003-701447	DECAL CAUTION KEEP PANELS	6
2	003-702437	DECAL CAUTION SPLY HOT GLY MOD 2100	1
3	003-702438	DECAL CAUTION RETURN HOT GLY MOD 2100	1
4	003-902610	DECAL NON CERTIFIED-PRESS VESSEL 4.50X4.50	1
5	003-703770	DECAL FUEL SPLY MOD2100-DG	1
6	003-905289	DECAL BURNER LOCKOUT	1
7	003-704791	DECAL HI LIMIT TEMP SETTING	1
8	003-905718	DECAL TROUBLESHOOTING 2100-1800	1
9	003-906384	DECAL GLYCOL SAFETY	1
10	003-700159	DECAL SAFETY FIRST	1
11	003-701454	DECAL HTF FLUID LEVELS	1
12	003-700172	DECAL DO NOT ADJ	4
13	003-701118	DECAL GLY/WTR STRIP R01	1

Decals

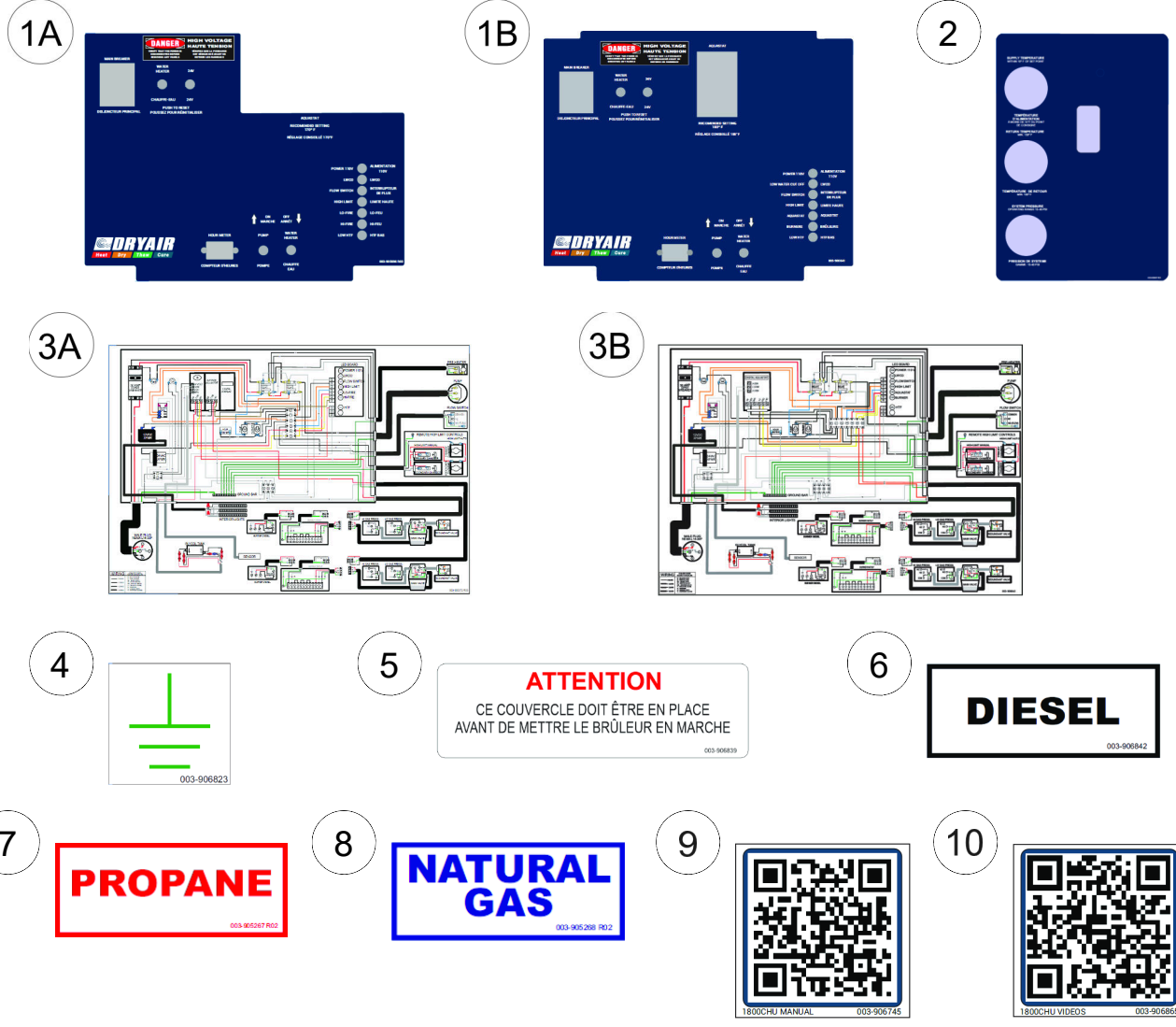


Central Heating Unit 2100-DG-1800 Series Decals

S/N: 23037 -
S/N: Current
PAGE: 17.1.3



Item No.	Part No.	Description	Qty.
1	003-701455	DECAL ELEC 4WIRE HOOKUP	1
2	003-701456	DECAL VENT/OVERFLOW	1
3	003-702430	DECAL FUEL/WATER FLTR MOD 2100	1
4	003-703148	DECAL RGLTR VENT INSTR PN	1
5	003-702729	DECAL FUEL PRESS ARROW MOD 2100	2
6	003-703771	DECAL CONN FUEL LINES MOD2100-DG	2
7	003-703778	DECAL WNG BURNER USED & GAS SPLY	1
8	003-702653	DECAL DIFFUSION TAPE 1IN X 6IN	1
9	003-906662	DECAL XTERM H1-5 VERT 6-TERM	1
10	003-906663	DECAL XTERM H1-6 HORZ 7-TERM	1
11	003-906664	DECAL XTERM NNNN VERT 4-TERM	1
12	003-906665	DECAL XTERM 1-2 VERT 2-TERM	1



Item No.	Part No.	Description	Qty.
1A	003-905696	DECAL ELEC FPLATE 2100-1800 (SN: 23037 -23013)	1
1B	003-906641	DECAL CTRL PNL FPLATE DIGITAL AQUASTAT 2100-1800 CHU (SN: 23134 - Current)	1
2	003-905697	DECAL GAUGE PNL 2100-1800	1
3A	003-905572	DECAL ELEC SCHEM 2100-DG-1800 (SN: 23037 -23013)	1
3B	003-906642	DECAL ELEC SCHEM 2100-1800 CHU 421 AQUASTAT (SN: 23134 - Current)	1
4	003-906823	DECAL GND SYMBOL	1
5	003-906839	DECAL ATTN BNR COVER INSTALLED FRENCH ONLY	6
6	003-906842	DECAL DIESEL 2-1/2X1	4
7	003-905267	DECAL PROPANE 2-1/2X1	4
8	003-905268	DECAL NATURAL GAS 2-1/2X1	4
9	003-906745	DECAL QR OP MAN 1800 CHU	1
10	003-906865	DECAL QR VIDEOS 1800CHU	1



Central Heating Unit 2100-DG-1800 Series
S/N:23037 - Current

Part No. 023-905948
Rev. 02 04-02-2023