



Heat

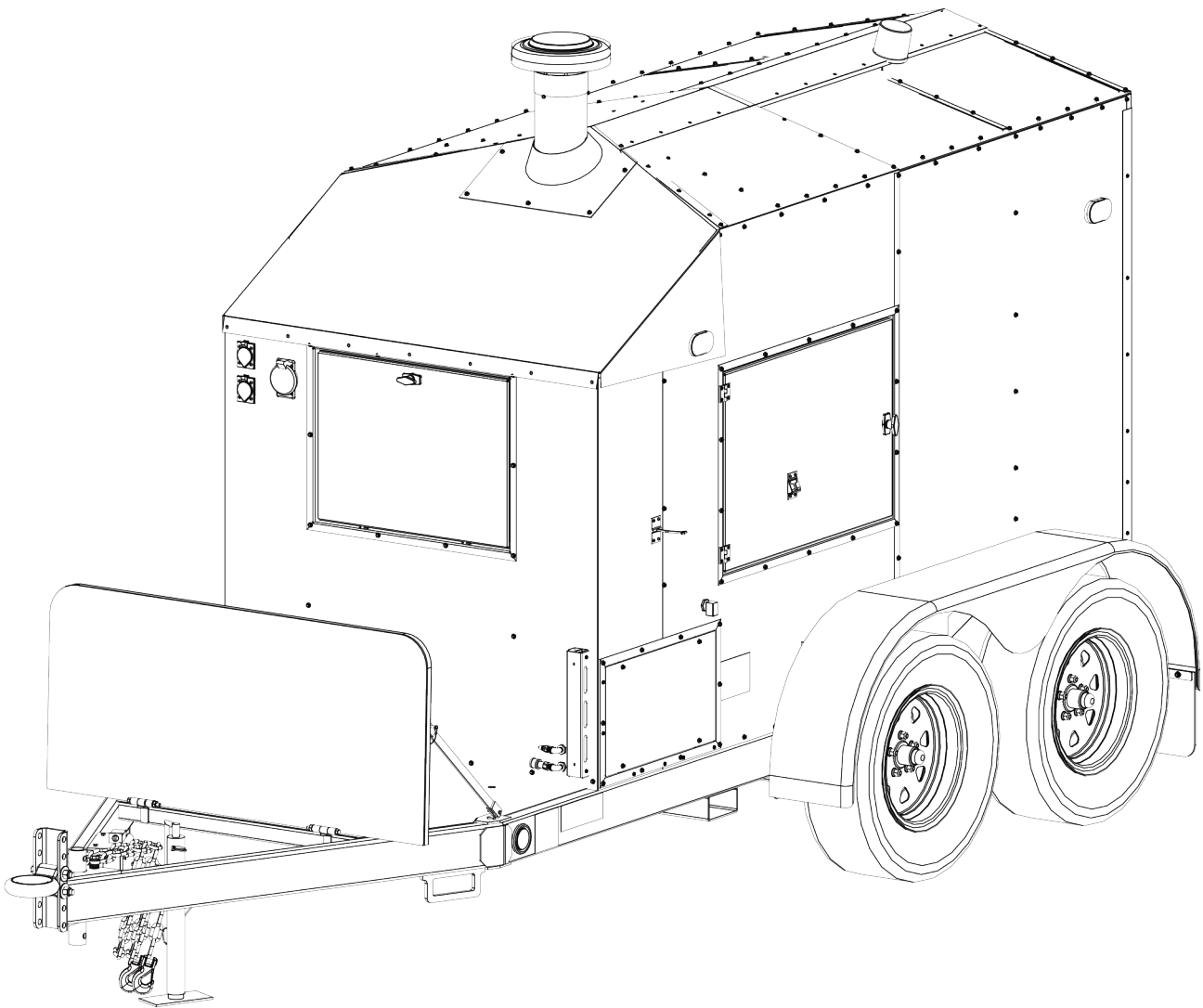
Dry

Thaw

Cure

PARTS CATALOGUE

Central Mobile Enclosure
400 GTS Series, Series II

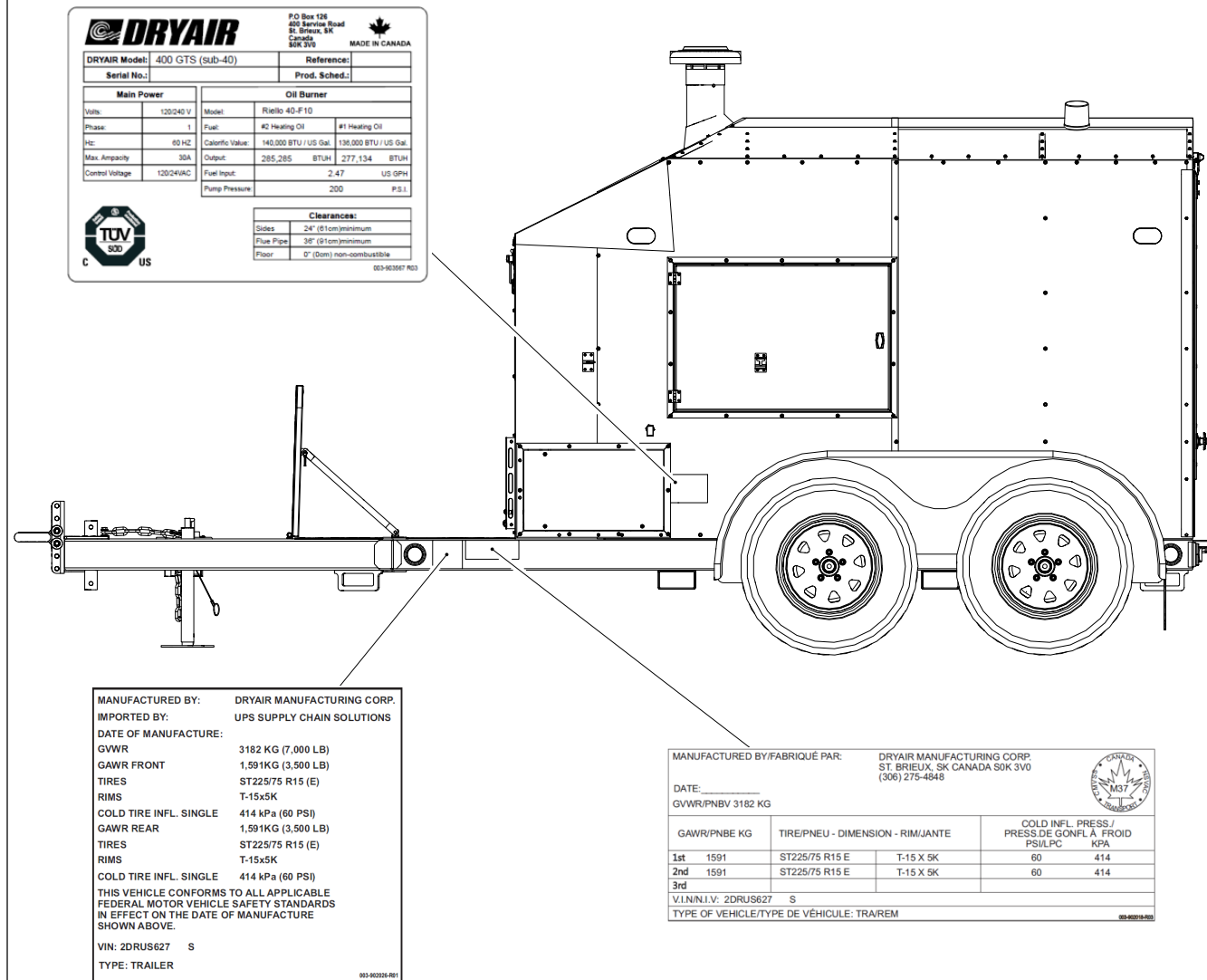


DRYAIR MANUFACTURING CORP.
PO BOX 126, 400 SERVICE ROAD
ST. BRIEUX, SK S0K 3V0
CANADA
www.dryair.ca

Tel: 1 (306) 275-4848
Toll-Free: 1 (888) 750-1700
Fax: 1 (306) 275-4664
Email: parts@dryair.ca



**Central Mobile Enclosure
400 GTS Series
Serial Number Location**



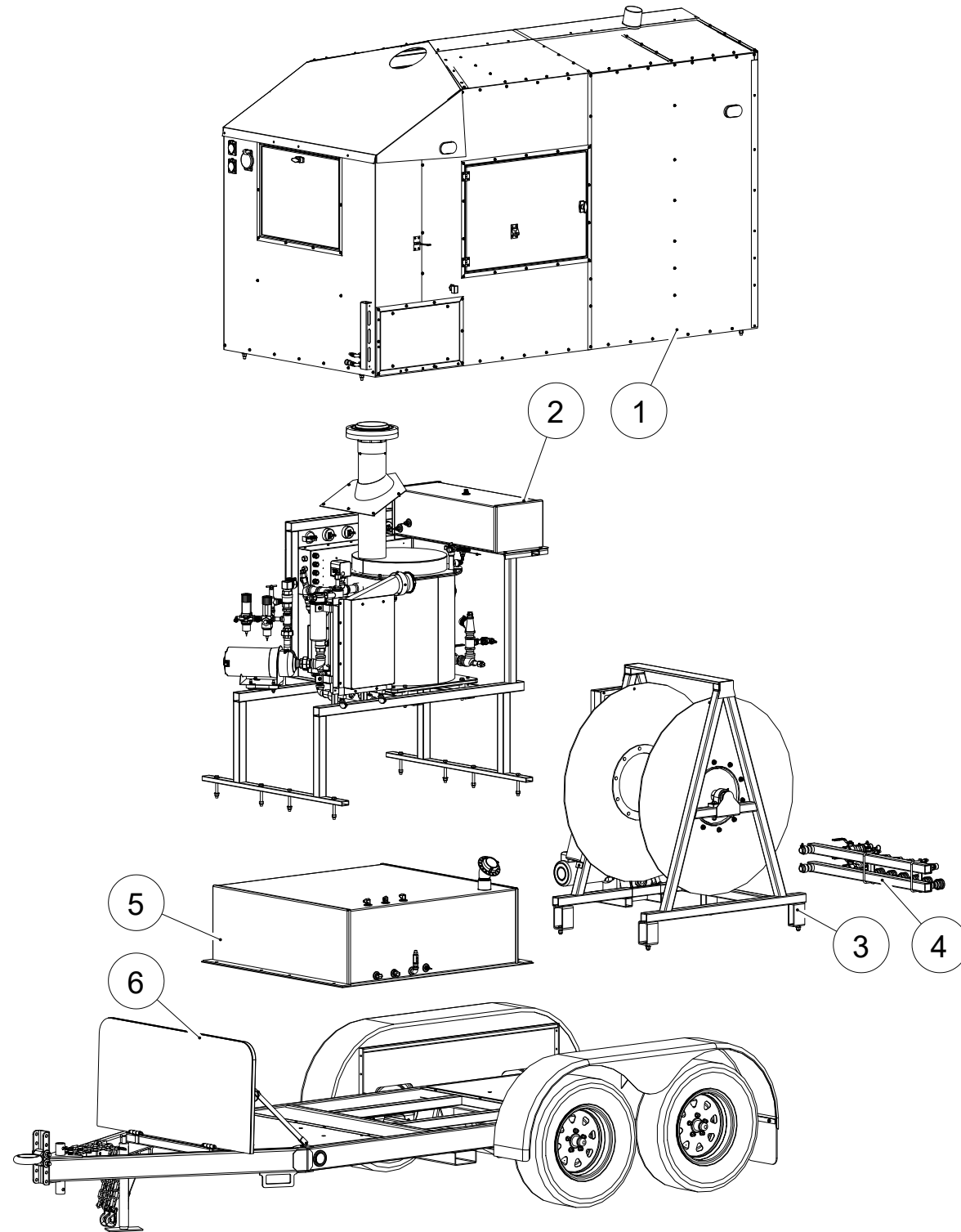
**Central Mobile Enclosure
400 GTS Series
Table of Contents**

Master Assembly	1.1.1
Enclosure	1.1.3
Enclosure Panels	1.1.5
Front Access Door	1.1.7
Driver Side Door	1.1.9
Control Panel Door	1.1.11
Lift Out Door	1.1.13
Rear Driver Side Door	1.1.15
Rear Passenger Side Door	1.1.17
Flip Up Rear Door	1.1.19
Water Heater Assembly	2.1.1
Heat Exchanger	2.1.3
Glycol Preheater	2.1.7
Control Panel	2.1.9
Air Preheater	2.1.11
Pump Components	2.1.13
Burner	2.1.17
Glycol Tank	2.1.19
Chimney	2.1.21
Fuel Preheater	2.1.23
Flow Reverser	2.1.25
Hose Reel Assembly (Chain-driven)	3.1.1
Shield Components	3.1.3
Drive	3.1.5
Hose Reel Assembly (Belt-driven)	3.2.1
Spool	3.2.3
Drive	3.2.5
Control HRA	3.2.7
Switch HRA	3.2.9
Manifold	4.1.1
Kamlocks	5.1.1
Fuel Tank	6.1.1
Trailer	7.1.1
Hoses and Fuel Lines	8.1.1
Decals	9.1.1



Central Mobile Enclosure
400 GTS Series
Master Assembly

S/N: 166500 -
S/N: Current
PAGE: 1.1.1



Master Assembly

Part No. 023-903814
Rev. 02 04-11-2023



Central Mobile Enclosure
400 GTS Series
Master Assembly

S/N: 166500 -
S/N: Current
PAGE: 1.1.2

Item No.	Part No.	Description	Qty.
1		ENCLOSURE - see page 1.1.3	
2		HEAT EXCHANGER - see page 2.1.1	
3		HOSE REEL - see page 3.1.1	
4		MANIFOLD - see page 4.1.1	
5		FUEL TANK - see page 5.1.1	
6		TRAILER - see page 6.1.1	

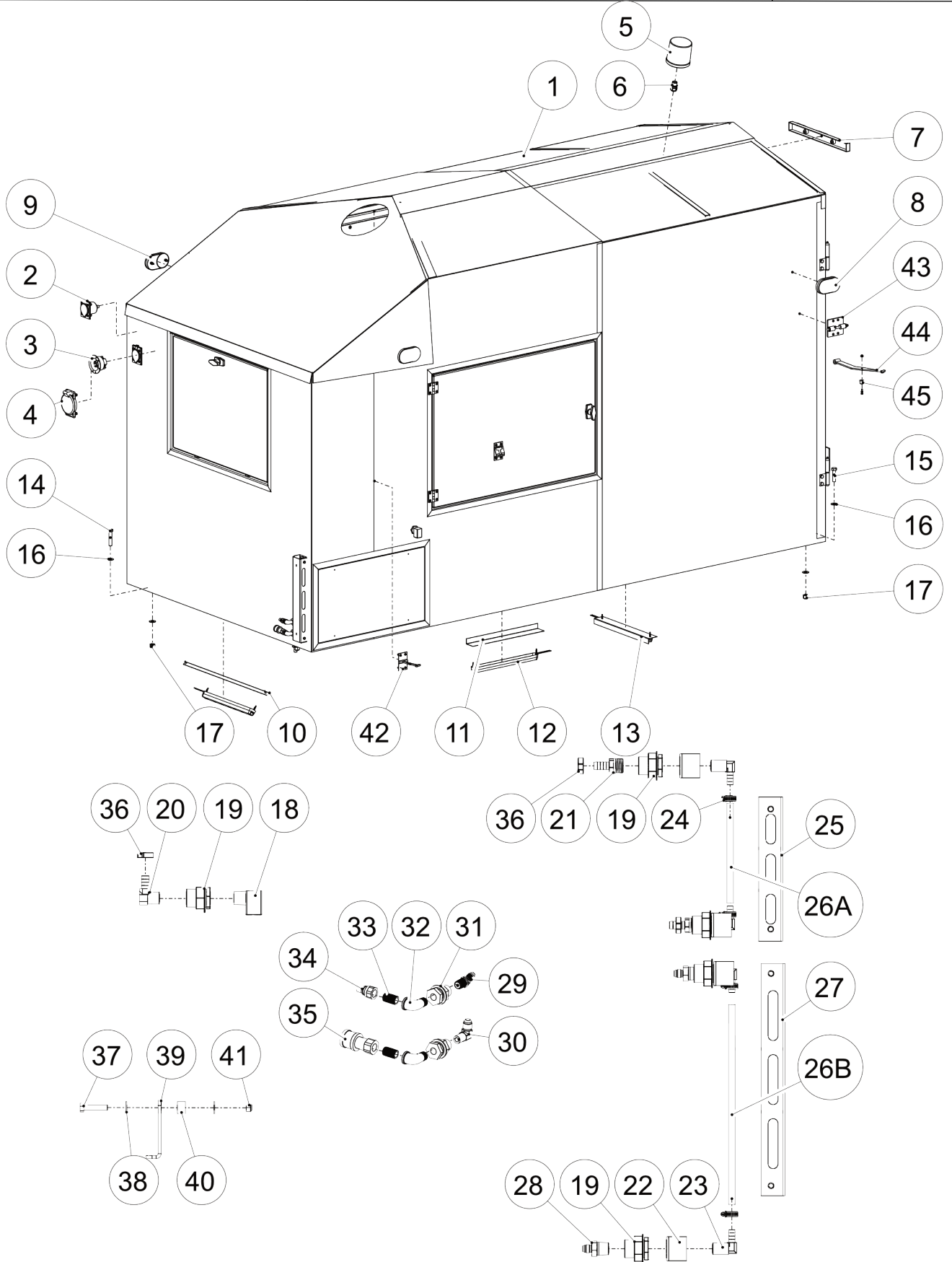
Master Assembly

Part No. 023-903814
Rev. 02 04-11-2023



**Central Mobile Enclosure
400 GTS Series
Enclosure**

S/N: 166500 -
S/N: 190620
PAGE: 1.1.3



Enclosure

Part No. 023-903814
Rev. 02 04-11-2023



**Central Mobile Enclosure
400 GTS Series
Enclosure**

S/N: 166500 -
S/N: 190620
PAGE: 1.1.4

Item No.	Part No.	Description	Qty.
	018-903581	HOLD-BACK 10IN T-HANDLE ANG 400GTS (Includes 43-45, and Fasteners)	2
1		PANELS - see page 1.1.5	
2	002-703611	PLUG PNL MNT WTHPRF 15A 125V	2
3	002-900758	RCTP FLANGED INLET TWIST LOCK 30A 125/250V	1
4	002-900759	CVR RCPT FLANGED INLET TWIST LOCK W/P	1
5A	002-900727	LIGHT STROBE GREEN 120V (OBS: USE 002-906924)	1
5B	006-900930	BULB STROBE 129Z Replacement bulb for 002-900727	1
5C	002-906924	LIGHT STROBE LP3T-120G	1
5D	006-906925	LIGHT STROBE BULB LP3T-120G Replacement bulb for 002-906924	1
5E	006-906926	LIGHT STROBE GREEN CVR LP3T-120G Replacement cover for 002-906924	1
5F	006-906927	LIGHT STROBE MNT AND GSKT KIT LP3T-120G Replacement for 002-906924	1
6	002-704262	CONN STRN/RLF 1/2 .24-.47 CE/CSA	1
7	002-903029	LIGHT BAR RED 3 LIGHT LED	1
8	002-902426	LIGHT CLEARANCE RED SURF MT	2
9	002-900726	LIGHT CLEARANCE AMBER SURF MT	2
10	004-903062	PNL LIGHT DEFLECTOR FRT 23L 300-400GTS	1
11	004-903063	PNL LIGHT DEFLECTOR SIDE 15L 300-400GTS	1
12	002-900724	LIGHT BAR LED SLIMLITE COURTESY	2
13	018-903220	PKG ELEC HARNESS LEDS GTS300	1
14	001-700475	BOLT 1/2X2-1/2 PLD GR5	2
15	001-700474	BOLT 1/2X2 PLD GR5	2
16	001-700110	WSHR FLT 1/2 SAE PLD	8
17	001-701606	NUT LKG NYL 1/2 UNC PLD	8
18	011-703575	ELB ST 1/2X90DEG EXTD BRS NPT	1
19	011-703047	FTG BHD CPLG BRS 1/2 FPT	3
20	011-704699	NIPL COMB 1/2NPTX1/2HB 90DEG BRS	1
21	011-702565	NIPL COMB 1/2NPTX1/2HB BRS	1
22	004-900742	MNT BRKT SIGHT GLASS SHIELD 600GTS	4
23	011-900594	NIPL COMB 90ELB 1/2MPT X 3/8HB BRS	2
24	001-900792	CLP HOSE MINI HAS4 SLTD HEX HD SS	4
25A	004-903512	SIGHT GLASS SHIELD GLY 400GTS STL TANK	1
25B	004-903719	SIGHT GLASS SHIELD GLY 400GTS GRN	1
26A	016-900747	TUBING CLEAR 3/8ID CHEMICAL RESISTANT TYGON	7IN
26B	016-900747	TUBING CLEAR 3/8ID CHEMICAL RESISTANT TYGON	13IN
27A	004-902007	SIGHT GLASS SHLD FUEL TANK GTS300	1
27B	004-902552	SIGHT GLASS SHLD FUEL TANK 300GTS GRN	1
28	011-702625	ADPTR 1/2 NPT X #6JIC 37DEG FLARE	1
29	011-902863	NIPL COMB 45DEG ELB #6MJIC X 1/4 MNPT STL	1
30	011-900604	ADPTR 90ELB 3/8MJIC 37 DEG X 1/4 MPT STL	1
31	011-704229	BLKHD 1/2NPTMX1/4NPTF BRS	2
32	011-703790	ELB ST 1/4X90DEG BRS NPT	2
33	011-703824	NIPL 1/4X1(CL) BRS NPT	2
34	011-703823	QC NIPL 1/4 STL PLD NPTF	1
35	011-703822	QC CPLR 1/4 STL PLD NPTF	1
36	001-702552	CLP 2-EAR #22SS - 1/2ID HOSE	2
37	001-700832	BOLT 5/16X1-1/2 PLD GR5	3
38	001-700129	WSHR FLT 1/4 PLD	6
39	004-904810	TAB DOOR CATCH 3-11/16L 400GTS	3
40	001-904809	SPCR .32ID X 1/2L FOR 5/16 BOLT ALUM	3
41	001-700741	NUT LKG NYL 5/16 UNC PLD	3
42	004-903580	HOLD-BACK 4IN T-HANDLE ANGLED 400GTS	2
43	004-903709	BASE WELDMENT HOLD-BACK	2
44	004-903710	WELDMENT HOOK HOLD-BACK 10IN ANG	2
45	016-903812	BMPR 3/4 OD X 9/16H CW3/16 RECESSED HOLE	2

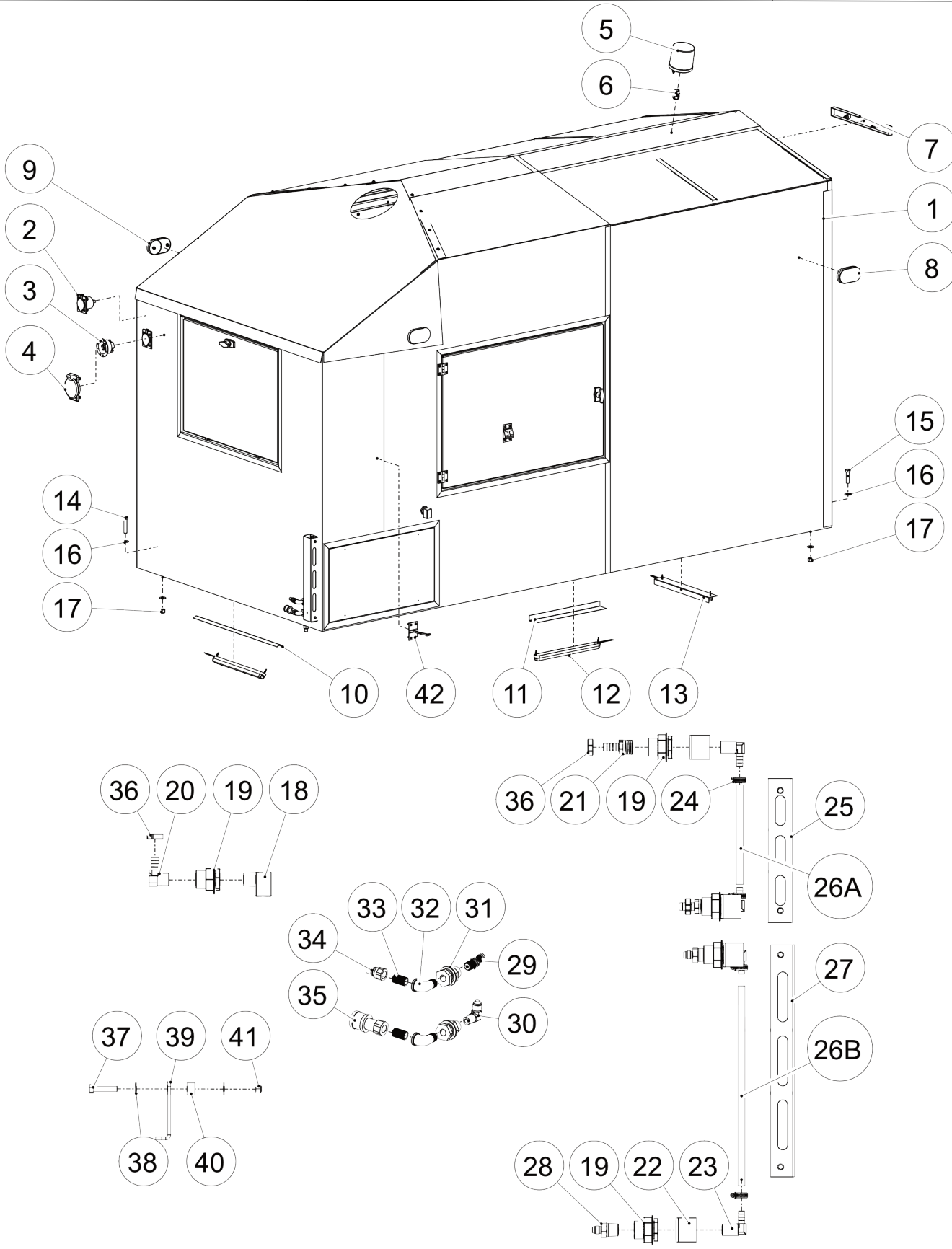
Enclosure

Part No. 023-903814
Rev. 02 04-11-2023



**Central Mobile Enclosure
400 GTS Series
Enclosure**

S/N: 190801 -
S/N: Current
PAGE: 1.2.3



Enclosure

Part No. 023-903814
Rev. 02 04-11-2023



**Central Mobile Enclosure
400 GTS Series
Enclosure**

S/N: 190801 -
S/N: Current
PAGE: 1.2.4

Item No.	Part No.	Description	Qty.
1		PANELS - see page 1.2.5	
2	002-703611	PLUG PNL MNT WTHPRF 15A 125V	2
3	002-900758	RCTP FLANGED INLET TWIST LOCK 30A 125/250V	1
4	002-900759	CVR RCPT FLANGED INLET TWIST LOCK W/P	1
5A	002-900727	LIGHT STROBE GREEN 120V (OBS: USE 002-906924)	1
5B	006-900930	BULB STROBE 129Z Replacement bulb for 002-900727	1
5C	002-906924	LIGHT STROBE LP3T-120G	1
5D	006-906925	LIGHT STROBE BULB LP3T-120G Replacement bulb for 002-906924	1
5E	006-906926	LIGHT STROBE GREEN CVR LP3T-120G Replacement cover for 002-906924	1
5F	006-906927	LIGHT STROBE MNT AND GSKT KIT LP3T-120G Replacement for 002-906924	1
6	002-704262	CONN STRN/RLF 1/2 .24-.47 CE/CSA	1
7	002-903029	LIGHT BAR RED 3 LIGHT LED	1
8	002-902426	LIGHT CLEARANCE RED SURF MT	2
9	002-900726	LIGHT CLEARANCE AMBER SURF MT	2
10	004-903062	PNL LIGHT DEFLECTOR FRT 23L 300-400GTS	1
11	004-903063	PNL LIGHT DEFLECTOR SIDE 15L 300-400GTS	1
12	002-900724	LIGHT BAR LED SLIMLITE COURTESY	2
13	018-903220	PKG ELEC HARNESS LEDS GTS300	1
14	001-700475	BOLT 1/2X2-1/2 PLD GR5	2
15	001-700474	BOLT 1/2X2 PLD GR5	2
16	001-700110	WSHR FLT 1/2 SAE PLD	8
17	001-701606	NUT LKG NYL 1/2 UNC PLD	8
18	011-703575	ELB ST 1/2X90DEG EXT D BRS NPT	1
19	011-703047	FTG BHD CPLG BRS 1/2 FPT	3
20	011-704699	NIPL COMB 1/2NPTX1/2HB 90DEG BRS	1
21	011-702565	NIPL COMB 1/2NPTX1/2HB BRS	1
22	004-900742	MNT BRKT SIGHT GLASS SHIELD 600GTS	4
23	011-900594	NIPL COMB 90ELB 1/2MPT X 3/8HB BRS	2
24	001-900792	CLP HOSE MINI HAS4 SLTD HEX HD SS	4
25A	004-903512	SIGHT GLASS SHIELD GLY 400GTS STL TANK	1
25B	004-903719	SIGHT GLASS SHIELD GLY 400GTS GRN	1
26A	016-900747	TUBING CLEAR 3/8ID CHEMICAL RESISTANT TYGON	7IN
26B	016-900747	TUBING CLEAR 3/8ID CHEMICAL RESISTANT TYGON	13IN
27A	004-902007	SIGHT GLASS SHLD FUEL TANK GTS300	1
27B	004-902552	SIGHT GLASS SHLD FUEL TANK 300GTS GRN	1
28	011-702625	ADPTR 1/2 NPT X #6JIC 37DEG FLARE	1
29	011-902863	NIPL COMB 45DEG ELB #6MJIC X 1/4 MNPT STL	1
30	011-900604	ADPTR 90ELB 3/8MJIC 37 DEG X 1/4 MPT STL	1
31	011-704229	BLKHD 1/2NPTMX1/4NPTF BRS	2
32	011-703790	ELB ST 1/4X90DEG BRS NPT	2
33	011-703824	NIPL 1/4X1(CL) BRS NPT	2
34	011-703823	QC NIPL 1/4 STL PLD NPTF	1
35	011-703822	QC CPLR 1/4 STL PLD NPTF	1
36	001-702552	CLP 2-EAR #22SS - 1/2ID HOSE	2
37	001-700832	BOLT 5/16X1-1/2 PLD GR5	1
38	001-700129	WSHR FLT 1/4 PLD	2
39	004-904810	TAB DOOR CATCH 3-11/16L 400GTS	1
40	001-904809	SPCR .32ID X 1/2L FOR 5/16 BOLT ALUM	1
41	001-700741	NUT LKG NYL 5/16 UNC PLD	1

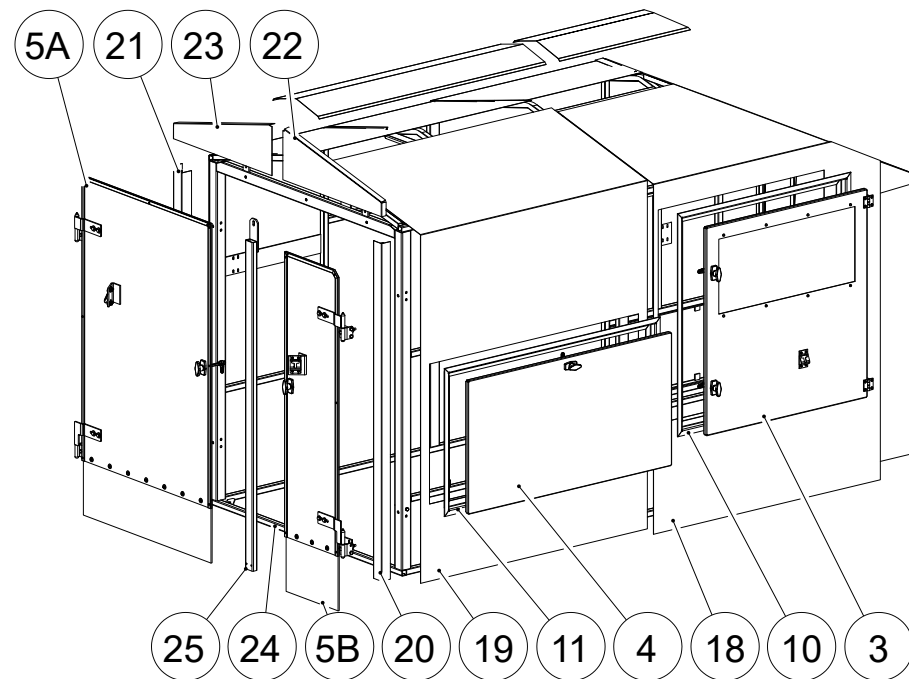
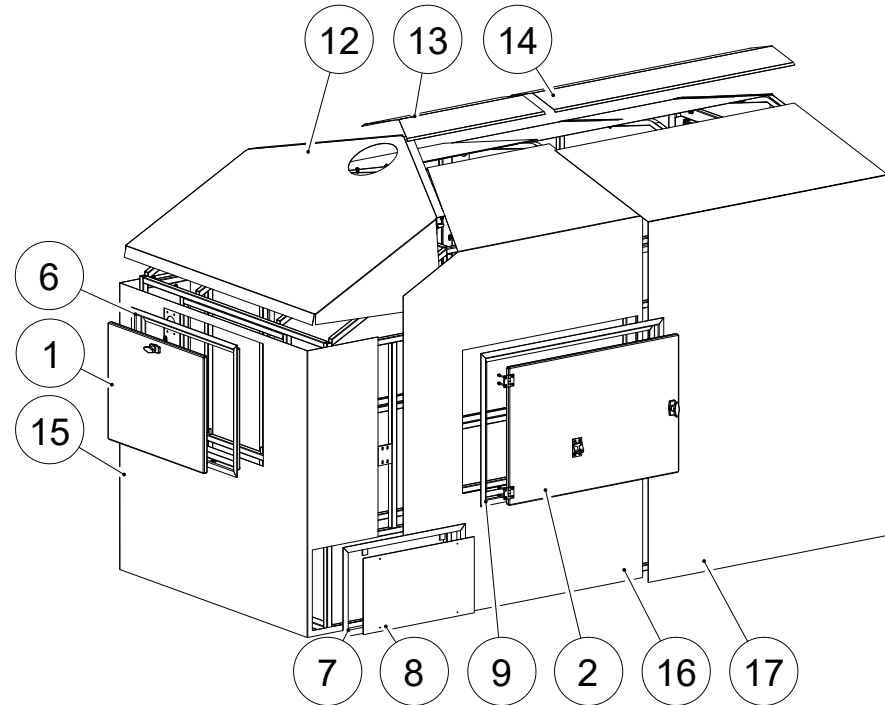
Enclosure

Part No. 023-903814
Rev. 02 04-11-2023



**Central Mobile Enclosure
400 GTS Series
Enclosure Panels**

S/N: 166500 -
S/N: 190620
PAGE: 1.1.5



Enclosure Panels

Part No. 023-903814
Rev. 02 04-11-2023



**Central Mobile Enclosure
400 GTS Series
Enclosure Panels**

S/N: 166500 -
S/N: 190620
PAGE: 1.1.6

Item No.	Part No.	Description	Qty.
1		FRONT ACCESS DOOR - see page 1.1.7	
2		DRIVER SIDE DOOR - see page 1.1.9	
3		CONTROL PANEL DOOR - see page 1.1.11	
4		LIFT OUT DOOR - see page 1.1.13	
5A		REAR DRIVER SIDE DOOR - see page 1.1.15	
5B		REAR PASSENGER SIDE DOOR - see page 1.1.17	
6A	004-903456	FRAME DOOR FRONT ACCESS 400GTS	1
6B	004-903723	FRAME DOOR FRONT ACCESS 400GTS GRN	1
7A	004-904433	FRAME DOOR FUEL CONN 400GTS	1
7B	004-904401	FRAME DOOR FUEL CONN 400GTS GRN	1
8A	004-904430	DOOR 22-1/4X12-3/4 ALUM 400GTS	1
8B	004-904400	DOOR 22-1/4X12-3/4 ALUM 400GTS GRN	1
9A	004-901935	FRAME DOOR SIDE GTS300	1
9B	004-902546	FRAME DOOR SIDE GRN 400GTS	1
10A	004-901936	FRAME DOOR MAIN GTS300	1
10B	004-902548	FRAME DOOR MAIN 300GTS GRN	1
11A	004-902820	FRAME DOOR MOTOR ACCESS GTS300 PIN	1
11B	004-902822	FRAME DOOR MOTOR ACCESS 300GTS PIN GRN	1
12A	004-903543	PNL ENC FRT TOP CNTR 400GTS	1
12B	004-903747	PNL ENC FRT TOP CNTR 400GTS GRN	1
13A	004-902903	PNL ENC ROOF CAP FRT GTS300	1
13B	004-903292	PNL ENC ROOF CAP FRT 300GTS GRN	1
14A	004-902902	PNL ENC ROOF CAP REAR GTS300	1
14B	004-903291	PNL ENC ROOF CAP REAR 300GTS GRN	1
15A	004-904397	PNL ENC FRT 400GTS SERIES II	1
15B	004-904399	PNL ENC FRT 400GTS SERIES II GRN	1
16A	004-904396	PNL ENC SIDE L FRT 400GTS SERIES II	1
16B	004-904398	PNL ENC SIDE L FRT 400GTS SERIES II GRN	1
17A	004-903546	PNL ENC SIDE L REAR 400GTS	1
17B	004-903737	PNL ENC SIDE L REAR 400GTS GRN	1
18A	004-903545	PNL ENC SIDE R FRT 400GTS	1
18B	004-903736	PNL ENC SIDE R FRT 400GTS GRN	1
19A	004-903547	PNL ENC SIDE R REAR 400GTS	1
19B	004-903738	PNL ENC SIDE R REAR 400GTS GRN	1
20A	004-903734	PNL ENC BACK SIDE R 400GTS	1
20B	004-903743	PNL ENC BACK SIDE R 400GTS GRN	1
21A	004-903566	PNL ENC BACK SIDE L 400GTS	1
21B	004-903741	PNL ENC BACK SIDE L 400GTS GRN	1
22A	004-903565	PNL ENC BACK TOP R 400GTS	1
22B	004-903740	PNL ENC BACK TOP R 400GTS GRN	1
23A	004-903564	PNL ENC BACK TOP L 400GTS	1
23B	004-903739	PNL ENC BACK TOP L 400GTS GRN	1
24	004-904385	ENC WELDMENT 400GTS SERIES II	1
25	004-903503	PILLAR REAR DOOR 400GTS	1

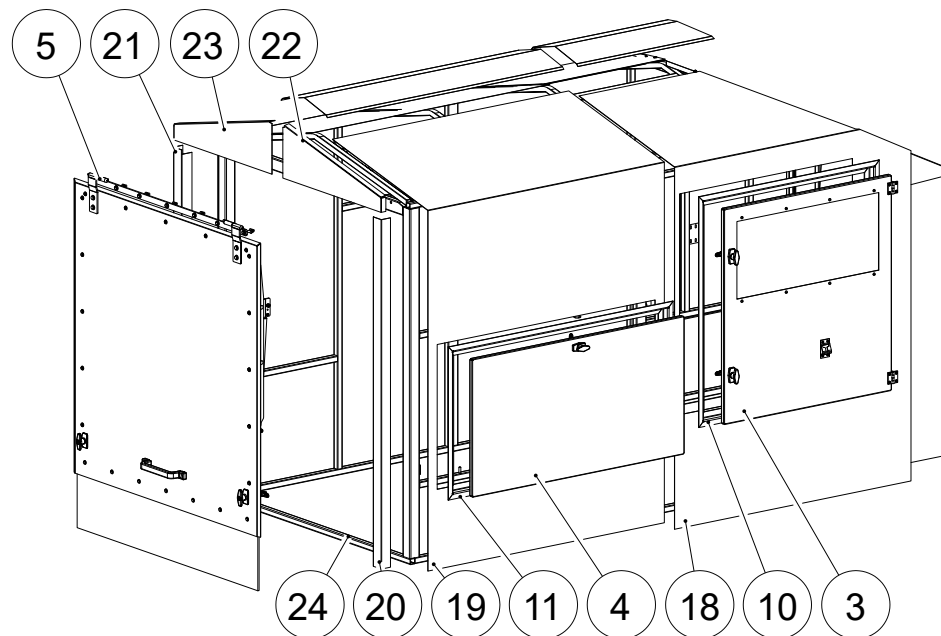
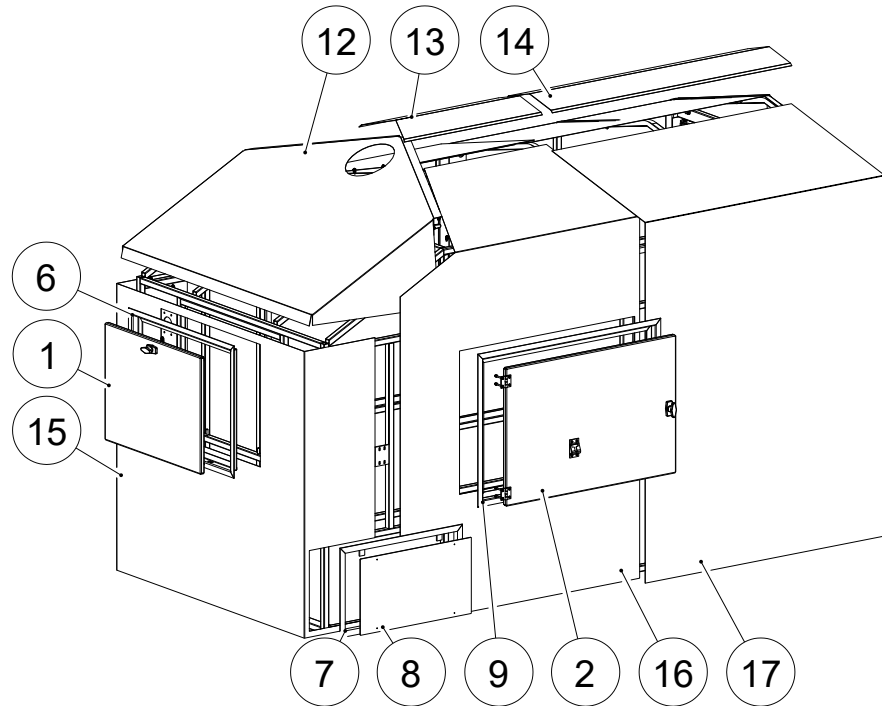
Enclosure Panels

Part No. 023-903814
Rev. 02 04-11-2023



**Central Mobile Enclosure
400 GTS Series
Enclosure Panels**

S/N: 190801 -
S/N: Current
PAGE: 1.2.5



Enclosure Panels

Part No. 023-903814
Rev. 02 04-11-2023



**Central Mobile Enclosure
400 GTS Series
Enclosure Panels**

S/N: 190801 -
S/N: Current
PAGE: 1.2.6

Item No.	Part No.	Description	Qty.
1		FRONT ACCESS DOOR - see page 1.1.7	
2		DRIVER SIDE DOOR - see page 1.1.9	
3		CONTROL PANEL DOOR - see page 1.1.11	
4		LIFT OUT DOOR - see page 1.1.13	
5		REAR FLIP UP DOOR - see page 1.1.19	
6A	004-903456	FRAME DOOR FRONT ACCESS 400GTS	1
6B	004-903723	FRAME DOOR FRONT ACCESS 400GTS GRN	1
7A	004-904433	FRAME DOOR FUEL CONN 400GTS	1
7B	004-904401	FRAME DOOR FUEL CONN 400GTS GRN	1
8A	004-904430	DOOR 22-1/4X12-3/4 ALUM 400GTS	1
8B	004-904400	DOOR 22-1/4X12-3/4 ALUM 400GTS GRN	1
9A	004-901935	FRAME DOOR SIDE GTS300	1
9B	004-902546	FRAME DOOR SIDE GRN 400GTS	1
10A	004-901936	FRAME DOOR MAIN GTS300	1
10B	004-902548	FRAME DOOR MAIN 300GTS GRN	1
11A	004-902820	FRAME DOOR MOTOR ACCESS GTS300 PIN	1
11B	004-902822	FRAME DOOR MOTOR ACCESS 300GTS PIN GRN	1
12A	004-903543	PNL ENC FRT TOP CNTR 400GTS	1
12B	004-903747	PNL ENC FRT TOP CNTR 400GTS GRN	1
13A	004-902903	PNL ENC ROOF CAP FRT GTS300	1
13B	004-903292	PNL ENC ROOF CAP FRT 300GTS GRN	1
14A	004-902902	PNL ENC ROOF CAP REAR GTS300	1
14B	004-903291	PNL ENC ROOF CAP REAR 300GTS GRN	1
15A	004-904397	PNL ENC FRT 400GTS SERIES II	1
15B	004-904399	PNL ENC FRT 400GTS SERIES II GRN	1
16A	004-904396	PNL ENC SIDE L FRT 400GTS SERIES II	1
16B	004-904398	PNL ENC SIDE L FRT 400GTS SERIES II GRN	1
17A	004-903546	PNL ENC SIDE L REAR 400GTS	1
17B	004-903737	PNL ENC SIDE L REAR 400GTS GRN	1
18A	004-903545	PNL ENC SIDE R FRT 400GTS	1
18B	004-903736	PNL ENC SIDE R FRT 400GTS GRN	1
19A	004-903547	PNL ENC SIDE R REAR 400GTS	1
19B	004-903738	PNL ENC SIDE R REAR 400GTS GRN	1
20A	004-903734	PNL ENC BACK SIDE R 400GTS	1
20B	004-903743	PNL ENC BACK SIDE R 400GTS GRN	1
21A	004-903566	PNL ENC BACK SIDE L 400GTS	1
21B	004-903741	PNL ENC BACK SIDE L 400GTS GRN	1
22A	004-903565	PNL ENC BACK TOP R 400GTS	1
22B	004-903740	PNL ENC BACK TOP R 400GTS GRN	1
23A	004-903564	PNL ENC BACK TOP L 400GTS	1
23B	004-903739	PNL ENC BACK TOP L 400GTS GRN	1
24	004-906502	ENC WELDMENT 400GTS SERIES II FLIP UP REAR DOOR	1

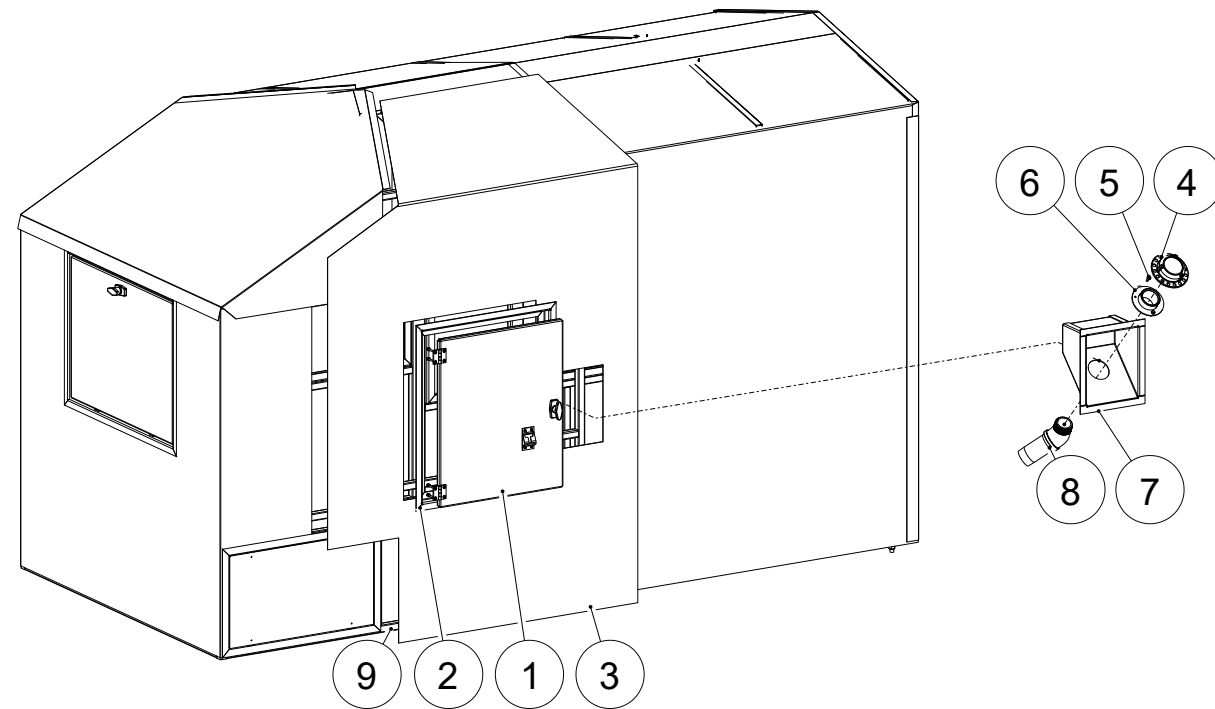
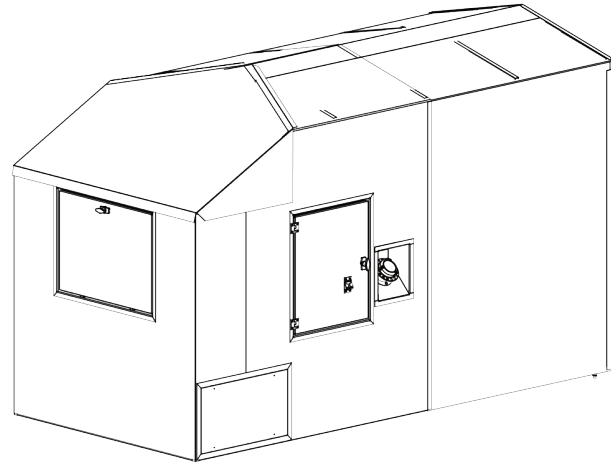
Enclosure Panels

Part No. 023-903814
Rev. 02 04-11-2023



**Central Mobile Enclosure
400 GTS Series
B138 Specific Components**

S/N: 190801 -
S/N: Current
PAGE: 1.3.5



**Central Mobile Enclosure
400 GTS Series
B138 Specific Components**

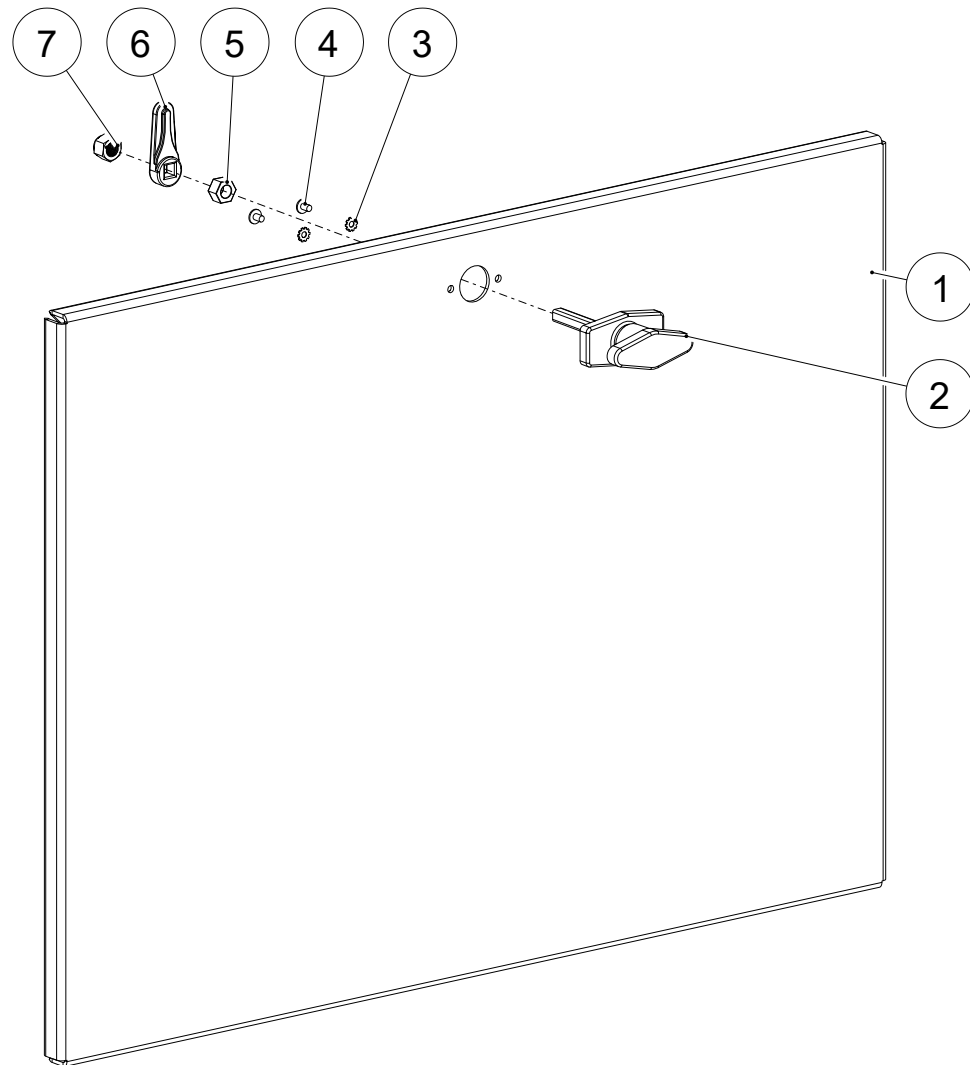
S/N: 190801 -
S/N: Current
PAGE: 1.3.6

Item No.	Part No.	Description	Qty.
1		DRIVER SIDE DOOR - see page 1.2.9	
2	004-905935	FRAME DOOR SIDE 400GTS RECESSED FUEL FILL	1
3	004-905938	PNL RECESSED FUEL FILL 400GTS	1
4	011-703500	CAP 2IN MPT NON-SPILL PRESS/VAC RLF GALV	1
5	001-700093	SCRW D/T 1/4-14X3/4 3/8HEX HD PLD	3
6	004-905739	COUPLER WELDMENT RECESSED FUEL FILL	1
7	004-905711	FUEL INLET RECESSED WELDMENT	1
8	018-905934	PLMB PKG RECESSED FUEL FILL 400GTS	1
9	004-906914	ENC WELDMENT 400GTS SERIES II FLIP UP REAR DOOR B138	1
<i>See page 1.1.5, 1.2.5 for common Enclosure Panels</i>			



**Central Mobile Enclosure
400 GTS Series
Front Access Door**

S/N: 166500 -
S/N: Current
PAGE: 1.1.7



Front Access Door

Part No. 023-903814
Rev. 02 04-11-2023



**Central Mobile Enclosure
400 GTS Series
Front Access Door**

S/N: 166500 -
S/N: Current
PAGE: 1.1.8

Item No.	Part No.	Description	Qty.
	018-905177	ASSY DOOR FRONT ACCESS PIN 400GTS CW HDWR (Includes 1A-7)	1
	018-905183	ASSY GRN DOOR FRONT ACCESS PIN 400GTS CW HDWR (Includes 1B-7)	1
	018-905858	PKG HNDL T-LKG CHROME 2.5IN CH751 CW CAM & NUT (Includes 2-7 & Key)	1
1A	004-903454	DOOR FRONT ACCESS 400GTS	1
1B	004-903722	DOOR FRONT ACCESS 400GTS GRN	1
2	017-904514	HNDL T-LKG CHROME 2.5IN THRD SHAFT CH751 KEY	1
3	001-900778	WSHR STAR #8 STUD EXT TOOTH	2
4	001-900779	SCRW MACH 8-32X1/4 PANHEAD	2
5	001-704695	NUT 3/8-24 UNF	1
6	017-704694	LOCK CAM C15 ZINC	1
7	001-903811	NUT LKG NYL 3/8 UNF 24THRD GR5 PLD	1
		The following components may not be shown	
	006-904755	KEY CH751 T-LKG HNDL CHROME 4IN	

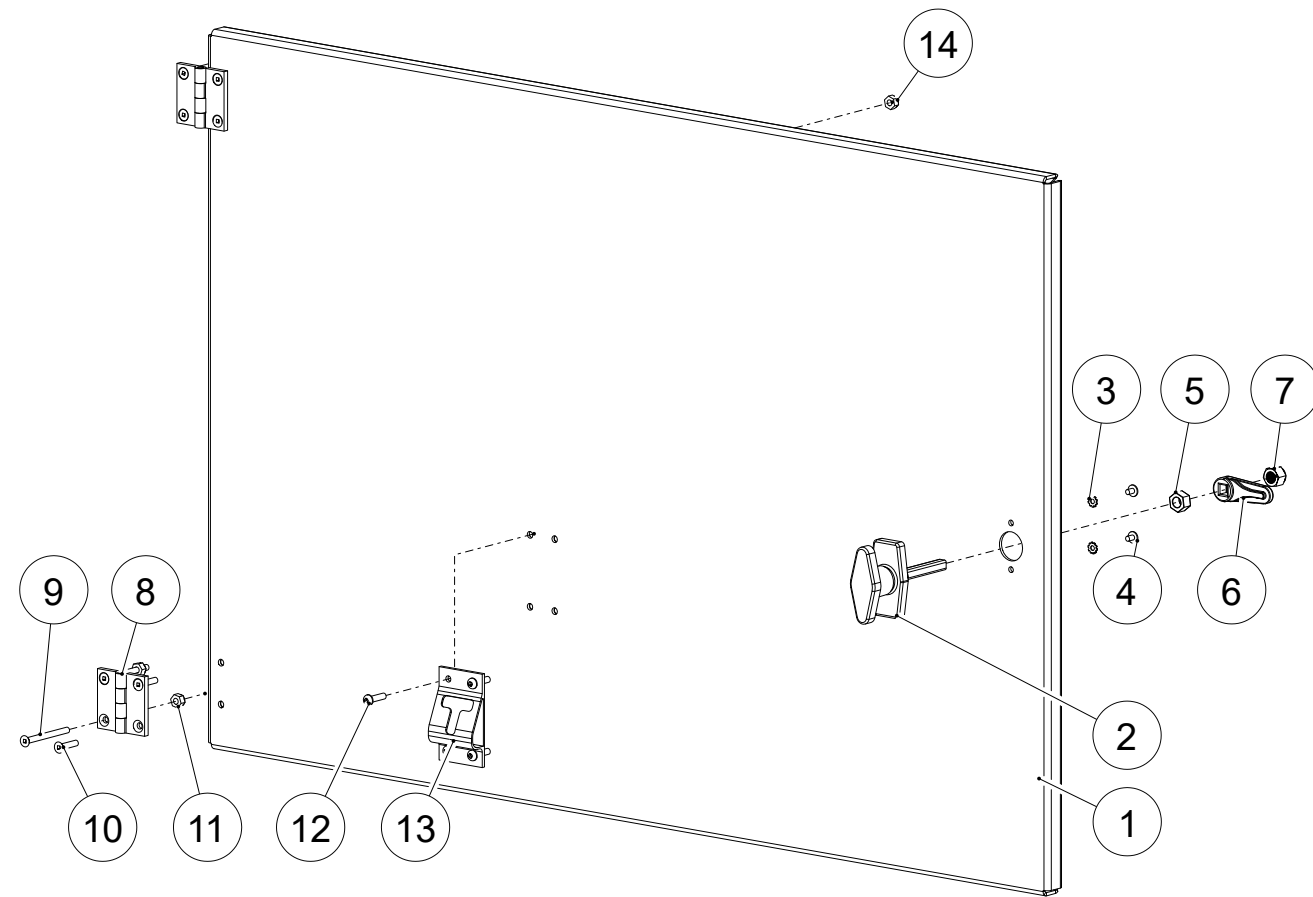
Front Access Door

Part No. 023-903814
Rev. 02 04-11-2023



**Central Mobile Enclosure
400 GTS Series
Driver Side Door**

S/N: 166500 -
S/N: Current
PAGE: 1.1.9



Driver Side Door

Part No. 023-903814
Rev. 02 04-11-2023



**Central Mobile Enclosure
400 GTS Series
Driver Side Door**

S/N: 166500 -
S/N: Current
PAGE: 1.1.10

Item No.	Part No.	Description	Qty.
	018-905179	ASSY DOOR DRIVER 400GTS CW HDWR (Includes 1A-14)	1
	018-905185	ASSY GRN DOOR DRIVER 400GTS CW HDWR (Includes 1B-14)	1
	018-905858	PKG HNDL T-LKG CHROME 2.5IN CH751 CW CAM & NUT (Includes 2-7 & Key)	1
1A	004-903537	DOOR DRIVER CW HOLD-BACK 400GTS	1
1B	004-903724	DOOR DRIVER CW HOLD-BACK 400GTS GRN	1
2	017-904514	HNDL T-LKG CHROME 2.5IN THRD SHAFT CH751 KEY	1
3	001-900778	WSHR STAR #8 STUD EXT TOOTH	2
4	001-900779	SCRW MACH 8-32X1/4 PANHEAD	2
5	001-704695	NUT 3/8-24 UNF	1
6	017-704694	LOCK CAM C15 ZINC	1
7	001-903811	NUT LKG NYL 3/8 UNF 24THRD GR5 PLD	1
8	017-900607	HINGE SURFACE-MT 316 SS POLISHED 2H X 2W	2
9	001-906024	SCRW MACH 10-24X2L FLAT HD SS SQ DR	4
10	001-906025	SCRW MACH 10-24X3/4L FLAT HD SS SQ DR	4
11	001-703910	NUT LKG #10-24 SS UNC	8
12	001-701484	SCRW MACH 10-24X3/4 PANHEAD	4
13	001-903522	BASE HOLD-BACK ZINC PLD	1
14	001-700805	NUT LKG 10-24 PLD	4
		The following components may not be shown	
	006-904755	KEY CH751 T-LKG HNDL CHROME 4IN	

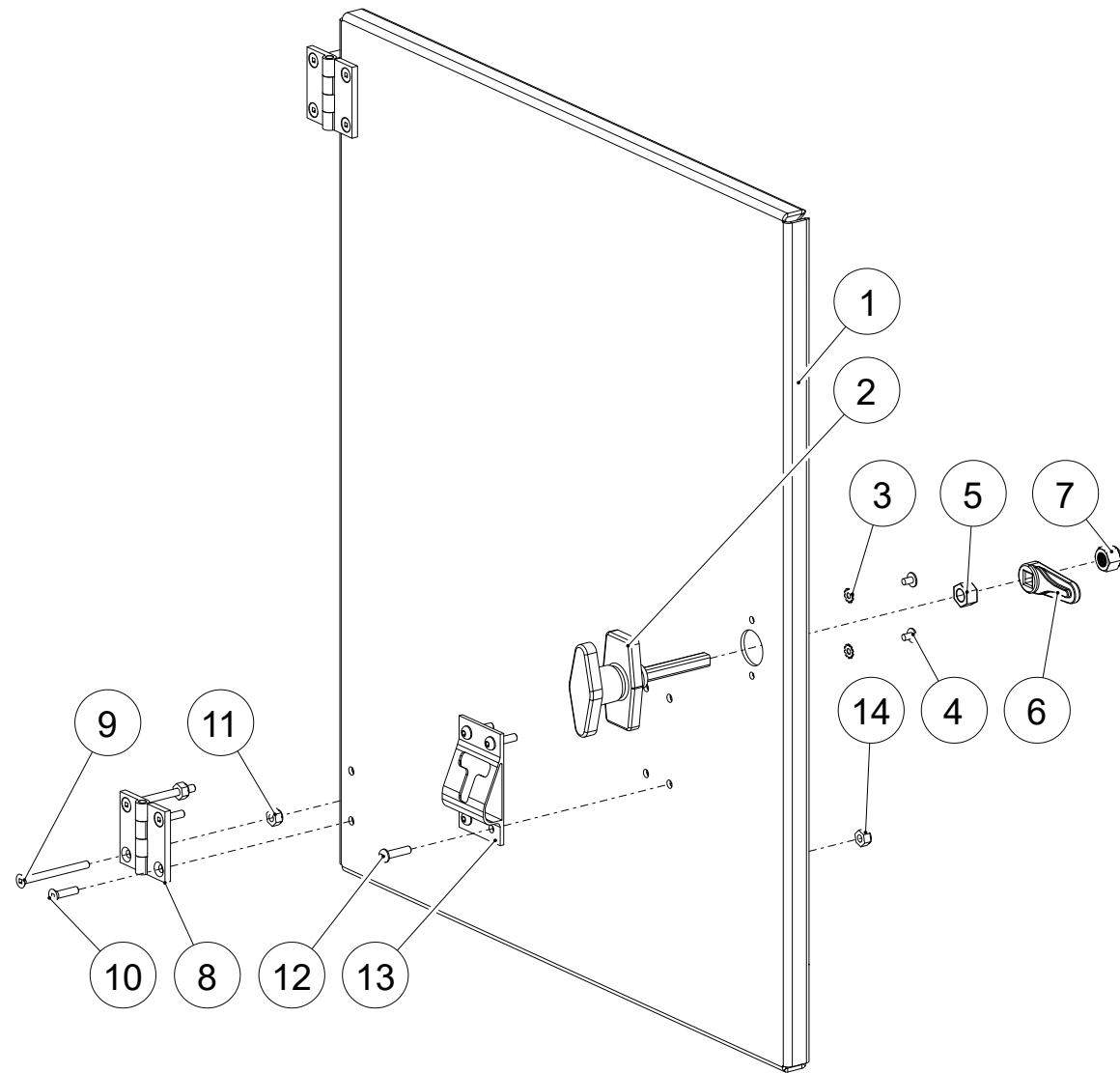
Driver Side Door

Part No. 023-903814
Rev. 02 04-11-2023



Central Mobile Enclosure
400 GTS Series
B138 Specific Driver Side Door

S/N: 166500 -
S/N: Current
PAGE: 1.2.9



B138 Specific Driver Side Door

Part No. 023-903814
Rev. 02 04-11-2023



Central Mobile Enclosure
400 GTS Series
B138 Specific Driver Side Door

S/N: 166500 -
S/N: Current
PAGE: 1.2.10

Item No.	Part No.	Description	Qty.
	018-906026	ASSY DOOR DRIVER 400GTS CW HDWR RECESSED FUEL FILL (Includes 1-14)	1
	018-905858	PKG HNDL T-LKG CHROME 2.5IN CH751 CW CAM & NUT (Includes 2-7 & Key)	1
1	004-905936	DOOR DRIVER 400GTS RECESSED FUEL FILL	1
2	017-904514	HNDL T-LKG CHROME 2.5IN THRD SHAFT CH751 KEY	1
3	001-900778	WSHR STAR #8 STUD EXT TOOTH	2
4	001-900779	SCRW MACH 8-32X1/4 PANHEAD	2
5	001-704695	NUT 3/8-24 UNF	1
6	017-704694	LOCK CAM C15 ZINC	1
7	001-903811	NUT LKG NYL 3/8 UNF 24THRD GR5 PLD	1
8	017-900607	HINGE SURFACE-MT 316 SS POLISHED 2H X 2W	2
9	001-906024	SCRW MACH 10-24X2L FLAT HD SS SQ DR	4
10	001-906025	SCRW MACH 10-24X3/4L FLAT HD SS SQ DR	4
11	001-703910	NUT LKG #10-24 SS UNC	8
12	001-701484	SCRW MACH 10-24X3/4 PANHEAD	4
13	001-903522	BASE HOLD-BACK ZINC PLD	1
14	001-700805	NUT LKG 10-24 PLD	4

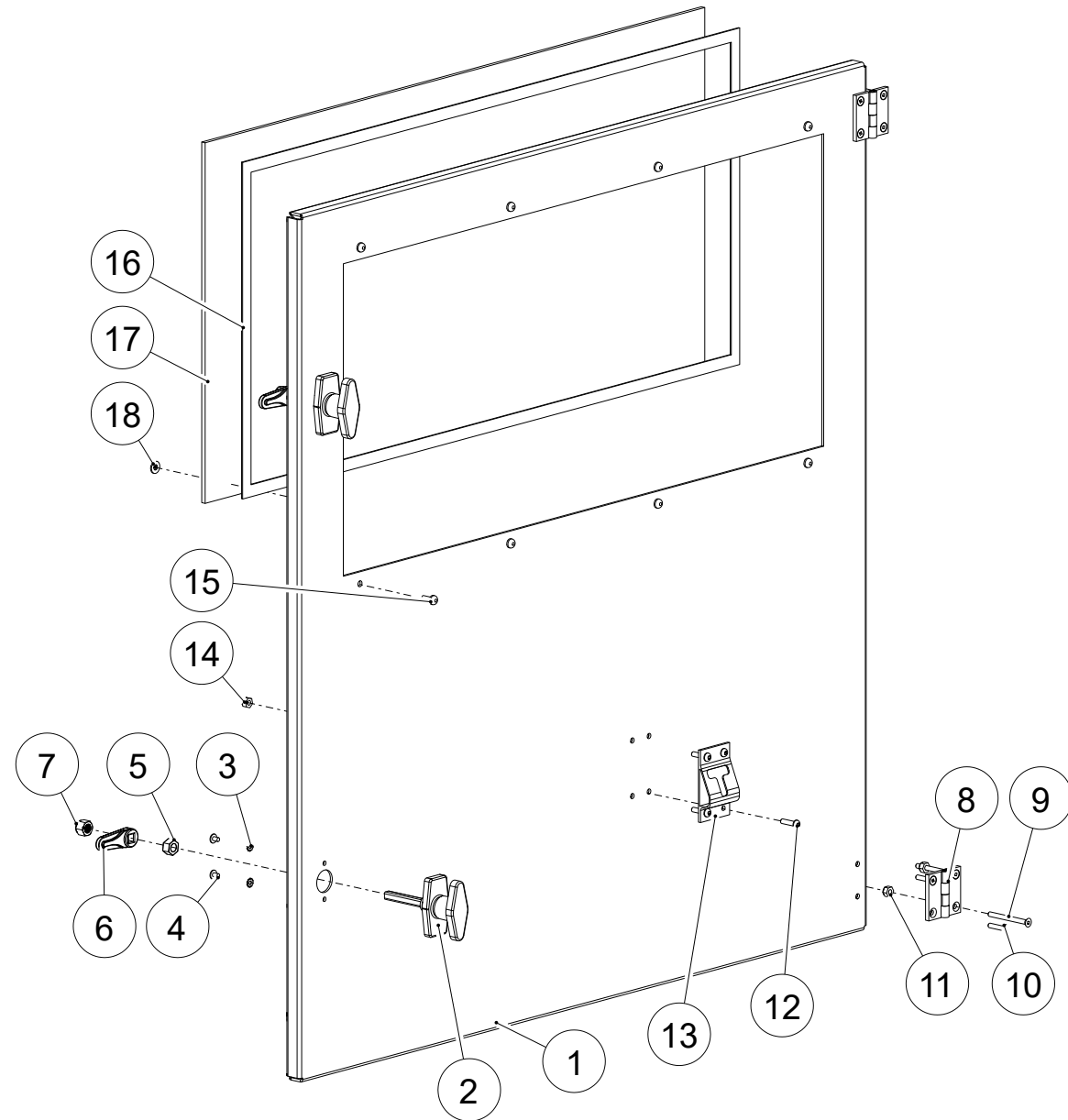
B138 Specific Driver Side Door

Part No. 023-903814
Rev. 02 04-11-2023



Central Mobile Enclosure
400 GTS Series
Control Panel Door

S/N: 166500 -
S/N: Current
PAGE: 1.1.11



Control Panel Door

Part No. 023-903814
Rev. 02 04-11-2023



Central Mobile Enclosure
400 GTS Series
Control Panel Door

S/N: 166500 -
S/N: Current
PAGE: 1.1.12

Item No.	Part No.	Description	Qty.
	018-903539	PKG DOOR MAIN 400GTS (Includes 1A, 15-18))	1
	018-903726	PKG DOOR MAIN 400GTS GRN (Includes 1B,15-18)	1
	018-905178	ASSY DOOR MAIN 400GTS CW HDWR (Includes 1A-18)	1
	018-905184	ASSY GRN DOOR MAIN 400GTS CW HDWR (Includes 1B-18)	1
	018-905858	PKG HNDL T-LKG CHROME 2.5IN CH751 CW CAM & NUT (Includes 2-7 & Key)	2
1A	004-903538	DOOR MAIN CW HOLD-BACK 400GTS	1
1B	004-903725	DOOR MAIN CW HOLD-BACK 400GTS GRN	1
2	017-904514	HNDL T-LKG CHROME 2.5IN THRD SHAFT CH751 KEY	2
3	001-900778	WSHR STAR #8 STUD EXT TOOTH	4
4	001-900779	SCRW MACH 8-32X1/4 PANHEAD	4
5	001-704695	NUT 3/8-24 UNF	2
6	017-704694	LOCK CAM C15 ZINC	2
7	001-903811	NUT LKG NYL 3/8 UNF 24THRD GR5 PLD	2
8	017-900607	HINGE SURFACE-MT 316 SS POLISHED 2H X 2W	2
9	001-906024	SCRW MACH 10-24X2L FLAT HD SS SQ DR	4
10	001-906025	SCRW MACH 10-24X3/4L FLAT HD SS SQ DR	4
11	001-703910	NUT LKG #10-24 SS UNC	8
12	001-701484	SCRW MACH 10-24X3/4 PANHEAD	4
13	001-903522	BASE HOLD-BACK ZINC PLD	1
14	001-700805	NUT LKG 10-24 PLD	4
15	001-901250	RIVET 3/16D X 1/2GRP ALUM	8
16	009-703960	TAPE 3M VHB-5925 2-SIDED 1/2W	7.5 FT
17	004-903810	WINDOW POLY CARB 30X15	1
18	001-701185	WSHR FLT #10 SAE PLD	8
		The following components may not be shown	
	006-904755	KEY CH751 T-LKG HNDL CHROME 4IN	

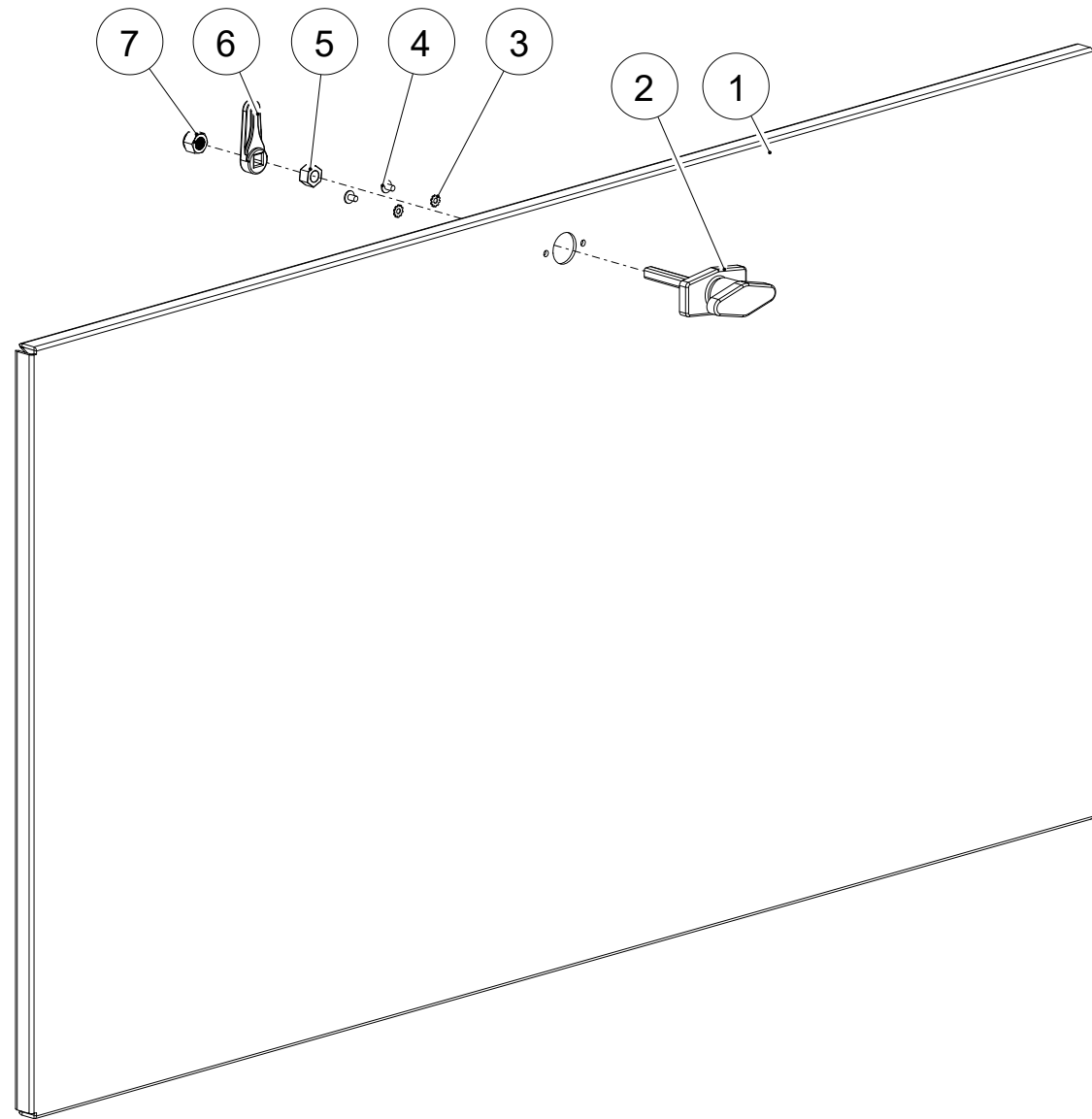
Control Panel Door

Part No. 023-903814
Rev. 02 04-11-2023



**Central Mobile Enclosure
400 GTS Series
Lift Out Door**

S/N: 166500 -
S/N: Current
PAGE: 1.1.13



Lift Out Door

Part No. 023-903814
Rev. 02 04-11-2023



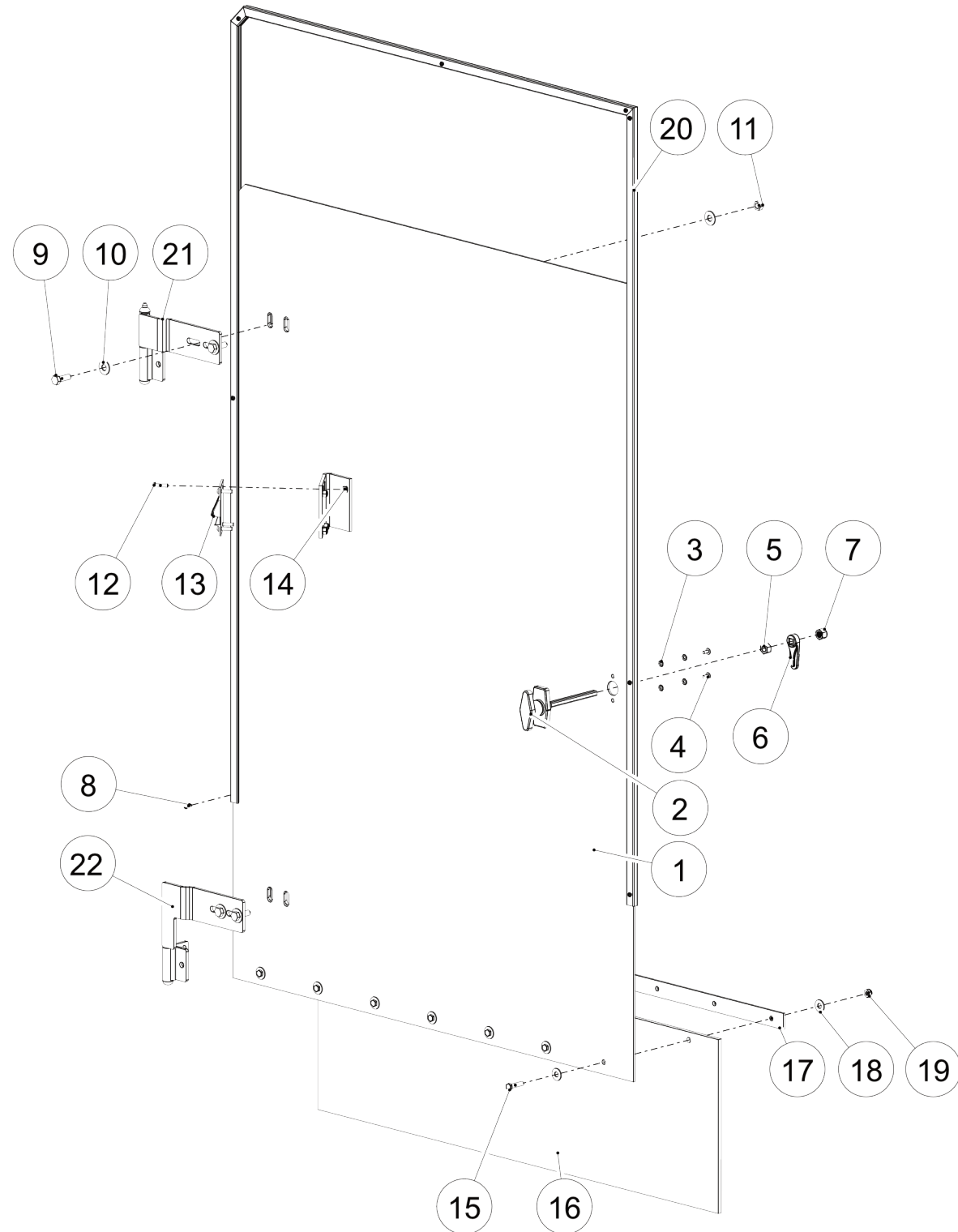
**Central Mobile Enclosure
400 GTS Series
Lift Out Door**

S/N: 166500 -
S/N: Current
PAGE: 1.1.14

Item No.	Part No.	Description	Qty.
	018-905176	ASSY DOOR MOTOR ACCESS PIN 400GTS CW HDWR (Includes 1A-7)	1
	018-905182	ASSY GRN DOOR MOTOR ACCESS PIN 400GTS CW HDWR (Includes 1B-7)	1
	018-905858	PKG HNDL T-LKG CHROME 2.5IN CH751 CW CAM & NUT (Includes 2-7 & Key)	1
1A	004-902807	DOOR MOTOR ACCESS GTS300 PIN	1
1B	004-902816	DOOR MOTOR ACCESS 300GTS PIN GRN	1
2	017-904514	HNDL T-LKG CHROME 2.5IN THRD SHAFT CH751 KEY	2
3	001-900778	WSHR STAR #8 STUD EXT TOOTH	4
4	001-900779	SCRW MACH 8-32X1/4 PANHEAD	4
5	001-704695	NUT 3/8-24 UNF	2
6	017-704694	LOCK CAM C15 ZINC	2
7	001-903811	NUT LKG NYL 3/8 UNF 24THRD GR5 PLD	2
		The following components may not be shown	
	006-904755	KEY CH751 T-LKG HNDL CHROME 4IN	

Lift Out Door

Part No. 023-903814
Rev. 02 04-11-2023



Rear Driver Side Door

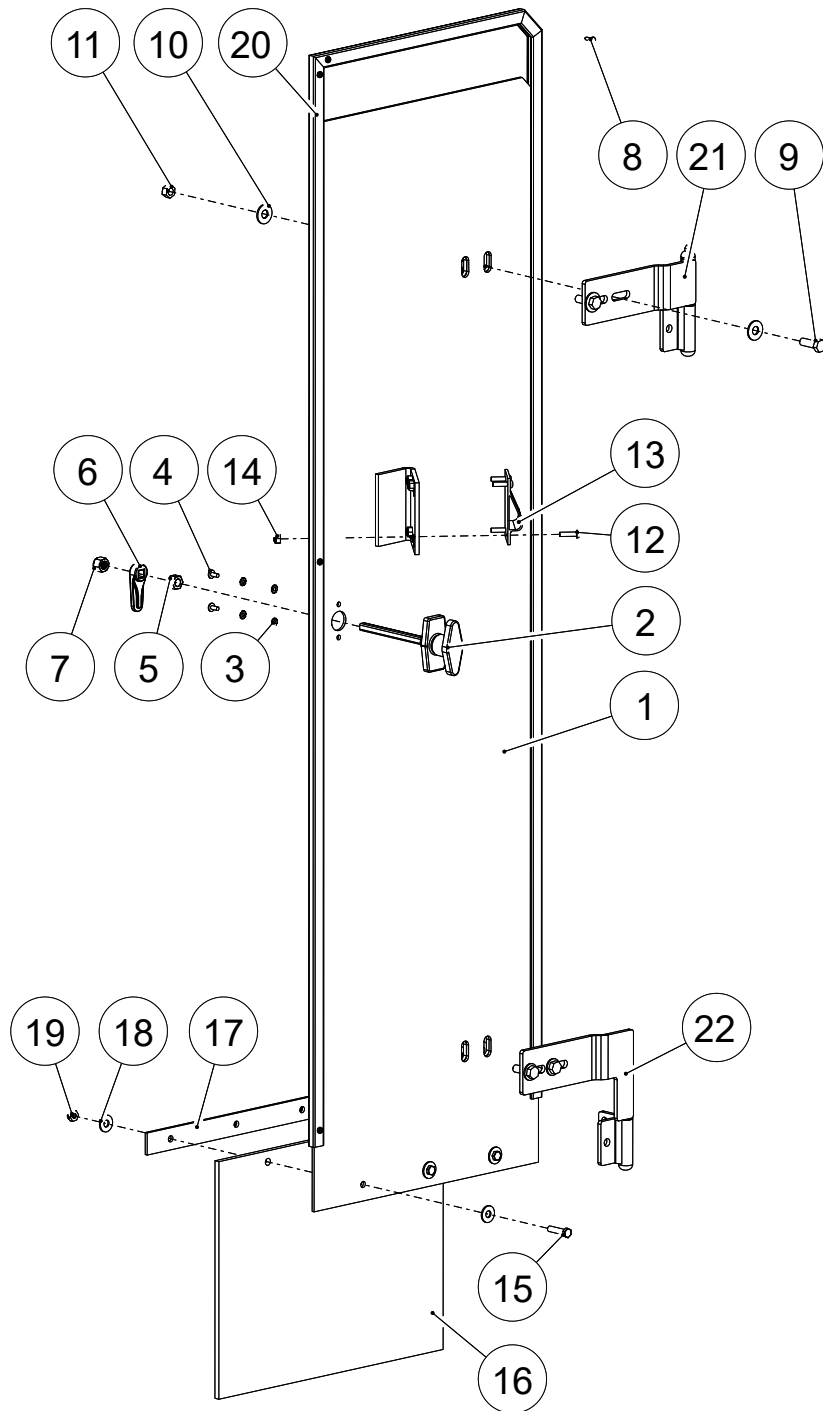
Item No.	Part No.	Description	Qty.
	018-905174	ASSY DOOR BACK DRIVER 400GTS CW HDWR (Includes 1A-21)	1
	018-905180	ASSY GRN DOOR BACK DRIVER 400GTS CW HDWR (Includes 1B-21)	1
	018-905859	PKG HNDL T-LKG CHROME 4IN CH751 CW CAM & NUT (Includes 2-7 & Key)	1
1A	004-903363	DOOR DRIVER 400GTS	1
1B	004-903778	DOOR DRIVER 400GTS GRN	1
2	017-903808	HNDL T-LKG CHROME 4IN THRD SHAFT CH751 KEY	1
3	001-900778	WSHR STAR #8 STUD EXT TOOTH	4
4	001-900779	SCRW MACH 8-32X1/4 PANHEAD	2
5	001-704695	NUT 3/8-24 UNF	1
6	017-704694	LOCK CAM C15 ZINC	1
7	001-903811	NUT LKG NYL 3/8 UNF 24THRD GR5 PLD	1
8	001-900608	SCRW SH MET #6X3/8 PAN HD SQ DR ZINC	7
9	001-700743	BOLT 5/16X1 PLD GR5	4
10	001-700742	WSHR FLT 5/16 PLD	8
11	001-700741	NUT LKG NYL 5/16 UNC PLD	4
12	001-701484	SCRW MACH 10-24X3/4 PANHEAD	4
13	001-903522	BASE HOLD-BACK ZINC PLD	1
14	001-700805	NUT LKG 10-24 PLD	4
15	001-700739	BOLT 1/4X1 PLD GR5	7
16	004-903524	SHT NPRN 33-3/4X10-3/4 1/4THK	1
17	004-903377	BAR FLAT 1/8X1 30-7/8L CW HOLES	1
18	001-700129	WSHR FLT 1/4 PLD	14
19	001-700042	NUT LKG NYL 1/4 UNC PLD	7
20	017-903780	WEATHER STRIP 1/8 EDGE 3/8H CW NPRN BULB	12 FT
21	004-903379	HINGE WELDMENT DRIVER 400GTS	1
22	004-903448	HINGE WELDMENT DRIVER 2IN OFFSET 400GTS	1
		The following components may not be shown	
	006-904755	KEY CH751 T-LKG HNDL CHROME 4IN	

Rear Driver Side Door



**Central Mobile Enclosure
400 GTS Series
Rear Passenger Side Door**

S/N: 166500 -
S/N: 190620
PAGE: 1.1.17



Rear Passenger Side Door

Part No. 023-903814
Rev. 02 04-11-2023



**Central Mobile Enclosure
400 GTS Series
Rear Passenger Side Door**

S/N: 166500 -
S/N: 190620
PAGE: 1.1.18

Item No.	Part No.	Description	Qty.
	018-905175	ASSY DOOR BACK PASS 400GTS CW HDWR (Includes 1A-21)	1
	018-905181	ASSY GRN DOOR BACK PASS 400GTS CW HDWR (Includes 1B-21)	1
	018-905859	PKG HNDL T-LKG CHROME 4IN CH751 CW CAM & NUT (Includes 2-7 & Key)	1
1A	004-903365	DOOR PASS 400GTS	1
1B	004-903779	DOOR PASS 400GTS GRN	1
2	017-903808	HNDL T-LKG CHROME 4IN THRD SHAFT CH751 KEY	1
3	001-900778	WSHR STAR #8 STUD EXT TOOTH	4
4	001-900779	SCRW MACH 8-32X1/4 PANHEAD	2
5	001-704695	NUT 3/8-24 UNF	1
6	017-704694	LOCK CAM C15 ZINC	1
7	001-903811	NUT LKG NYL 3/8 UNF 24THRD GR5 PLD	1
8	001-900608	SCRW SH MET #6X3/8 PAN HD SQ DR ZINC	6
9	001-700743	BOLT 5/16X1 PLD GR5	4
10	001-700742	WSHR FLT 5/16 PLD	8
11	001-700741	NUT LKG NYL 5/16 UNC PLD	4
12	001-701484	SCRW MACH 10-24X3/4 PANHEAD	4
13	001-903522	BASE HOLD-BACK ZINC PLD	1
14	001-700805	NUT LKG 10-24 PLD	4
15	001-700739	BOLT 1/4X1 PLD GR5	3
16	004-903525	SHT NPRN 13-3/4X10-3/4 1/4THK	1
17	004-903376	BAR FLAT 1/8X1 11-5/8L CW HOLES	1
18	001-700129	WSHR FLT 1/4 PLD	6
19	001-700042	NUT LKG NYL 1/4 UNC PLD	3
20	017-903780	WEATHER STRIP 1/8 EDGE 3/8H CW NPRN BULB	10 FT
21	004-903382	HINGE WELDMENT PASS 400GTS	1
22	004-903449	HINGE WELDMENT PASS 2IN OFFSET 400GTS	1
		The following components may not be shown	
	006-904755	KEY CH751 T-LKG HNDL CHROME 4IN	

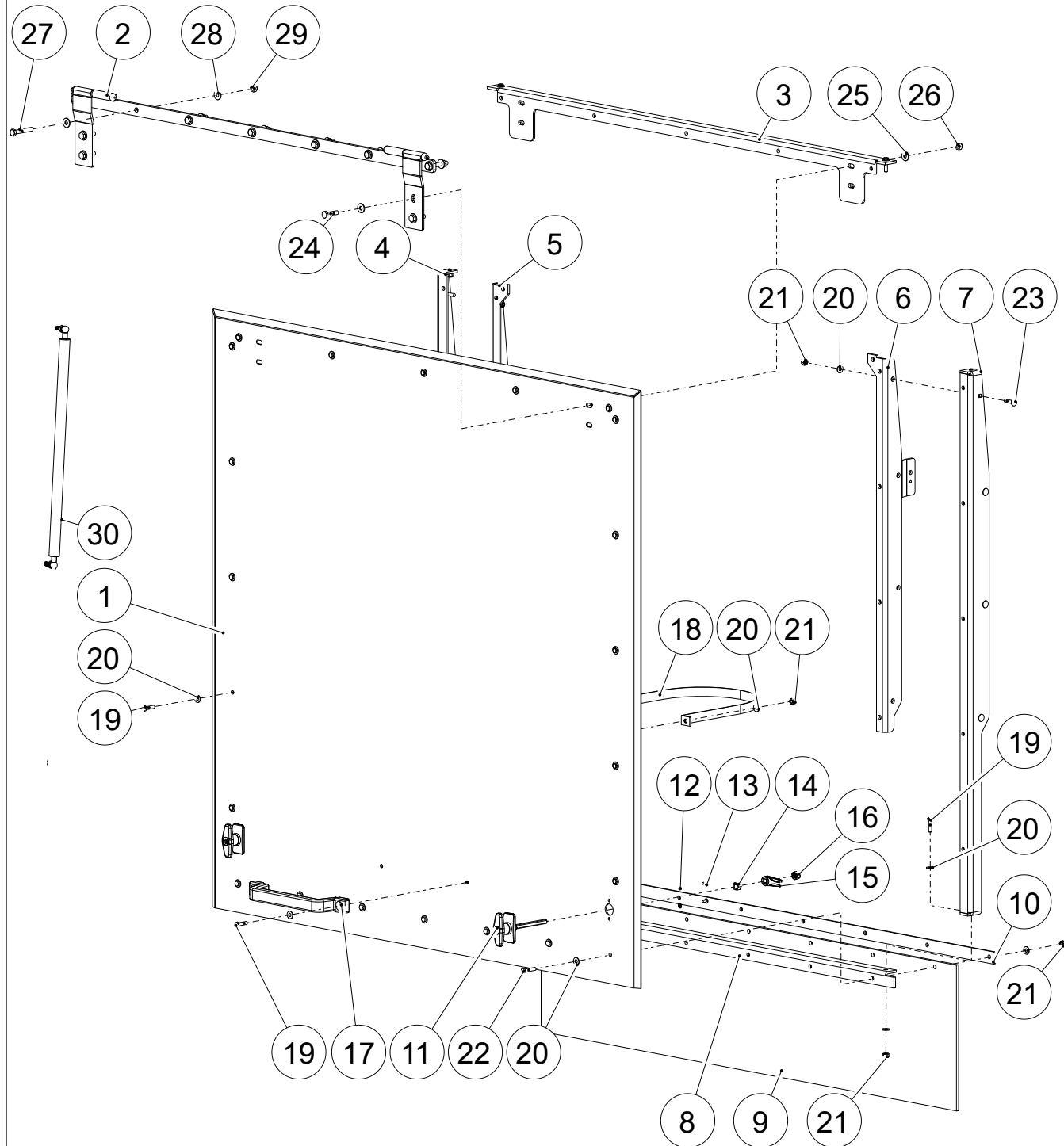
Rear Passenger Side Door

Part No. 023-903814
Rev. 02 04-11-2023



**Central Mobile Enclosure
400 GTS Series
Flip Up Rear Door**

S/N: 190801 -
S/N: Current
PAGE: 1.1.19



Flip Up Rear Door

Part No. 023-903814
Rev. 02 04-11-2023



**Central Mobile Enclosure
400 GTS Series
Flip Up Rear Door**

S/N: 190801 -
S/N: Current
PAGE: 1.1.20

Item No.	Part No.	Description	Qty.
	018-906518	ASSY HOSE DOOR 400GTS (Includes 1-29)	1
	018-906519	ASSY HOSE DOOR GRN 400GTS (Includes 1-29)	1
	018-905859	PKG HNDL T-LKG CHROME 4IN CH751 CW CAM & NUT (Includes 11-16 & Key)	1
1A	004-906516	PNL HOSE DOOR 400GTS	1
1B	004-906517	PNL HOSE DOOR GRN 400GTS	1
2	004-906505	ASSY HOSE DOOR HINGE 400GTS	1
3A	004-906506	ANG HOSE DOOR TOP 400GTS	1
3B	004-906507	ANG HOSE DOOR TOP GRN 400GTS	1
4A	004-906510	ANG HOSE DOOR DRIVER 400GTS	1
4B	004-906511	ANG HOSE DOOR DRIVER GRN 400GTS	1
5A	004-905186	ANG TAB LEFT 650GTS HOSE DOOR	1
5B	004-906054	ANG TAB LEFT 650GTS HOSE DOOR GRN	1
6A	004-905187	ANG TAB RGHT 650GTS HOSE DOOR	1
6B	004-906053	ANG TAB RGHT 650GTS HOSE DOOR GRN	1
7A	004-906508	ANG HOSE DOOR PASS 400GTS	1
7B	004-906509	ANG HOSE DOOR PASS GRN 400GTS	1
8A	004-906512	ANG HOSE DOOR BTM 400GTS	1
8B	004-906513	ANG HOSE DOOR BTM GRN 400GTS	1
9	004-906515	SHT NPRN 12X47L 1/4THK	1
10	004-906514	BAR FLT 1/8X1 44-1/4L CW HOLES	1
11	017-903808	HNDL T-LKG CHROME 4IN THRD SHAFT CH751 KEY	2
12	001-900778	WSHR STAR #8 STUD EXT TOOTH	4
13	001-905244	SCRW MACH 8-32X3/8 PANHEAD PLD SOC-SLT COMB	4
14	001-704695	NUT 3/8-24 UNF	2
15	017-704694	LOCK CAM C15 ZINC	2
16	001-903811	NUT LKG NYL 3/8 UNF 24THRD GR5 PLD	2
17	017-704065	HNDL 9-7/8 RUBBER COATED	1
18	004-905261	STRAP WEB 3/4IN PPLN BLK 31L CW HOLES	1
19	001-902421	BOLT 1/4X1 SS UNC	16
20	001-703921	WSHR FLT 1/4 SS	54
21	001-703922	NUT LKG 1/4 UNC SS	31
22	001-905189	BOLT 1/4X1-1/4 SS UNC	7
23	001-905190	BOLT CRG 1/4X1 SS	8
24	001-700959	BOLT 5/16X1-1/4 PLD GR5	4
25	001-700742	WSHR FLT 5/16 PLD	16
26	001-700741	NUT LKG NYL 5/16 UNC PLD	4
27	001-700822	BOLT 5/16X2 PLD GR5	7
28	001-700742	WSHR FLT 5/16 PLD	14
29	001-700741	NUT LKG NYL 5/16 UNC PLD	7
30	017-904883	SPRING GAS SHOCK 35.43 INCH EXT.100LB	2
		The following components may not be shown	
	006-904755	KEY CH751 T-LKG HNDL CHROME 4IN	

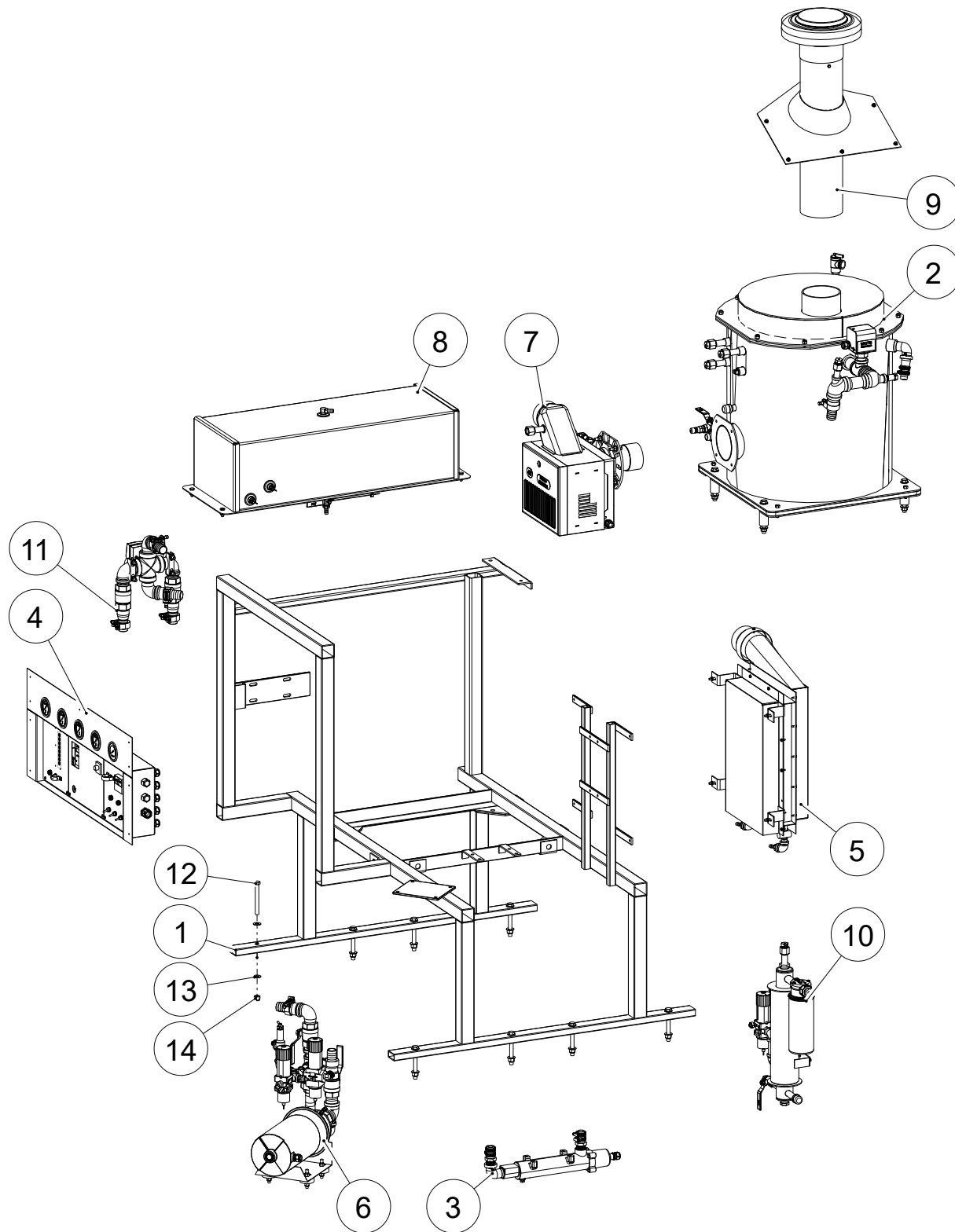
Flip Up Rear Door

Part No. 023-903814
Rev. 02 04-11-2023



**Central Mobile Enclosure
400 GTS Series
Water Heater Assembly**

S/N: 166500 -
S/N: Current
PAGE: 2.1.1



Water Heater Assembly

Part No. 023-903814
Rev. 02 04-11-2023



**Central Mobile Enclosure
400 GTS Series
Water Heater Assembly**

S/N: 166500 -
S/N: Current
PAGE: 2.1.2

Item No.	Part No.	Description	Qty.
1	004-902985	STAND HEAT EXCHANGER MOD 400GTS	1
2		HEAT EXCHANGER - see page 2.1.3	
3		GLYCOL PREHEATER - see page 2.1.7	
4		CONTROL PANEL - see page 2.1.9	
5		AIR PREHEATER - see page 2.1.11	
6		PUMP - see page 2.1.13	
7		BURNER - see page 2.1.17	
8		GLYCOL TANK - see page 2.1.19	
9		CHIMNEY - see page 2.1.21	
10		FUEL PREHEATER - see page 2.1.23	
11		FLOW REVERSER - see page 2.1.25	
12	001-703657	BOLT 1/2X4-1/2 PLD GR5	8
13	001-700110	WSHR FLT 1/2 SAE PLD	16
14	001-701606	NUT LKG NYL 1/2 UNC PLD	8

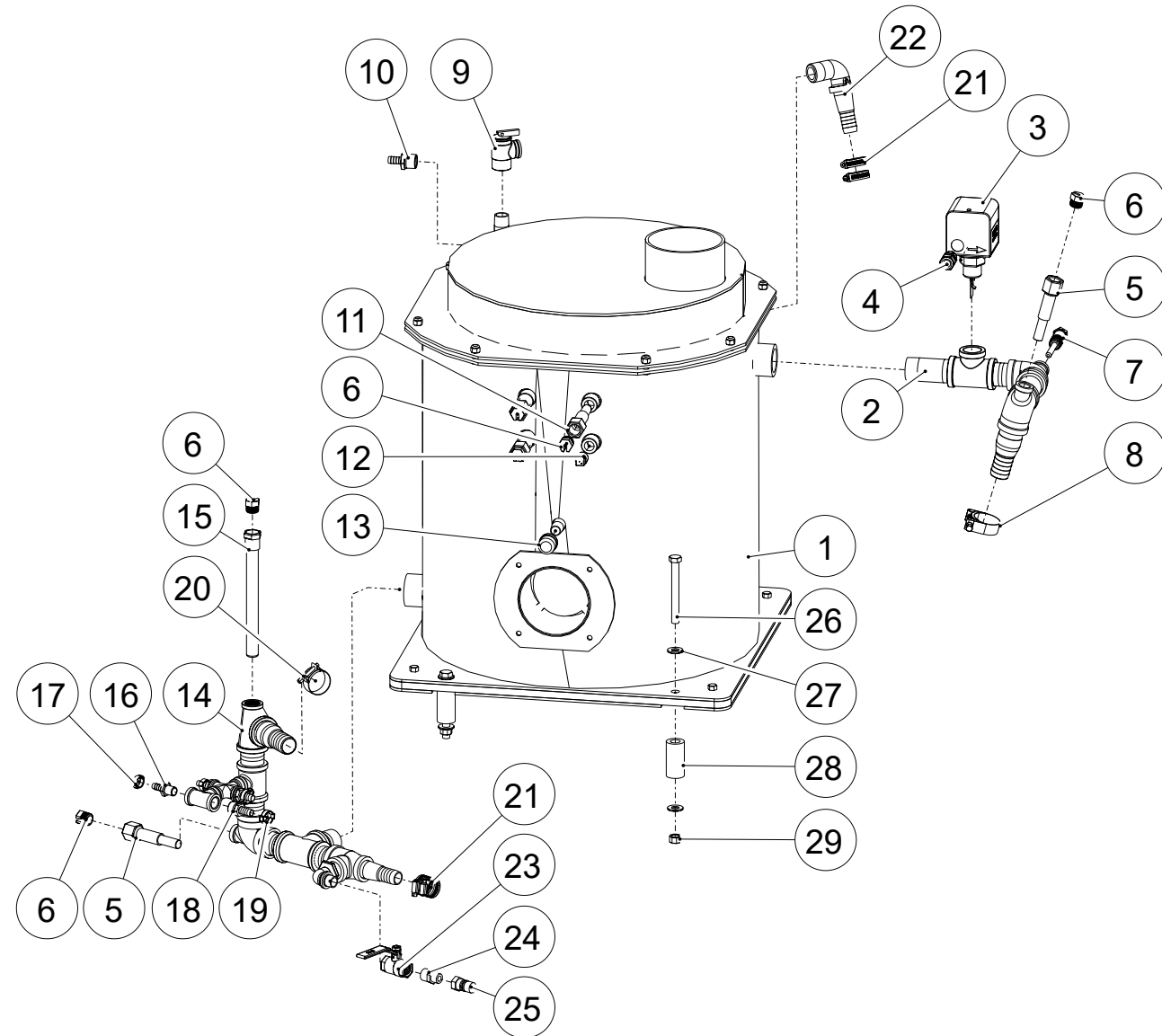
Water Heater Assembly

Part No. 023-903814
Rev. 02 04-11-2023



**Central Mobile Enclosure
400 GTS Series
Heat Exchanger**

S/N: 166500 -
S/N: Current
PAGE: 2.1.3



Heat Exchanger

Part No. 023-903814
Rev. 02 04-11-2023



**Central Mobile Enclosure
400 GTS Series
Heat Exchanger**

S/N: 166500 -
S/N: Current
PAGE: 2.1.4

Item No.	Part No.	Description	Qty.
	018-903431	PKG HEAT EXCHANGER 400GTS CW PLMB (Includes 1-25)	1
1		HEAT EXCHANGER - see page 2.1.5	
2	018-903396	PKG OUTPUT HEAT EXCHANGER 400GTS FRONT MNT	1
3	006-700778	CNTRL FLOW MULT PADDLE	1
4	002-704262	CONN STRN/RLF 1/2 .24-.47 CE/CSA	1
5	005-702592	WELL THERM BRS 4-3/8IN .385 BORE 1/2IN NPT	2
6	005-702757	NUT SPLIT WELLCAP 3/4FINE THREAD	6
7	005-704272	WELL THERM BULB ASSY 1/2IN NPT	1
8	001-704678	CLP HOSE HEAVY DUTY 1.69-1.85 RNG (43-47mm)	1
9	011-702627	VLV SAFETY PRESS RLF 30PSI 3/4FPT	1
10	011-702564	NIPL COMB 3/4NPTX1/2HB BRS	1
11	005-702592	WELL THERM BRS 4-3/8IN .385 BORE 1/2IN NPT	3
12	011-702702	PLUG BRS 1/2 NPT SQ HD	1
13	011-704121	CAP 1/2 NPT MI	1
14	018-903399	PKG RETURN HEAT EXCHANGER 400GTS	1
15	005-700204	WELL F/AVTA/B 3/4 BRS BULB	1
16	011-702563	NIPL COMB 1/2NPTX3/8HB BRS	2
17	001-702551	CLP 2-EAR #18SS - 3/8ID HOSE	2
18	011-702565	NIPL COMB 1/2NPTX1/2HB BRS	2
19	001-702552	CLP 2-EAR #22SS - 1/2ID HOSE	2
20	001-704669	CLP HOSE HEAVY DUTY 1.57-1.69 RNG (40-43mm)	1
21	001-700275	CLP HOSE HAS16 SLTD HEX HD SS	4
22	018-702542	PKG PLMB CRCLT HTR OUTLET MOD 2100	1
23	011-700115	VLV BALL 1/2 400WOG STD BRS CGA NPTF	1
24	011-901963	NIPL HEX RDCG 1/2MNPTX3/8MNPT BRS	1
25	011-900428	QC NIPL 3/8 BRS NPTF	1
26	001-703657	BOLT 1/2X4-1/2 PLD GR5	4
27	001-700110	WSHR FLT 1/2 SAE PLD	8
28	004-903378	DOM 1-1/4OD X 11/16ID 2-1/2L PNTD BLK	4
29	001-701606	NUT LKG NYL 1/2 UNC PLD	4

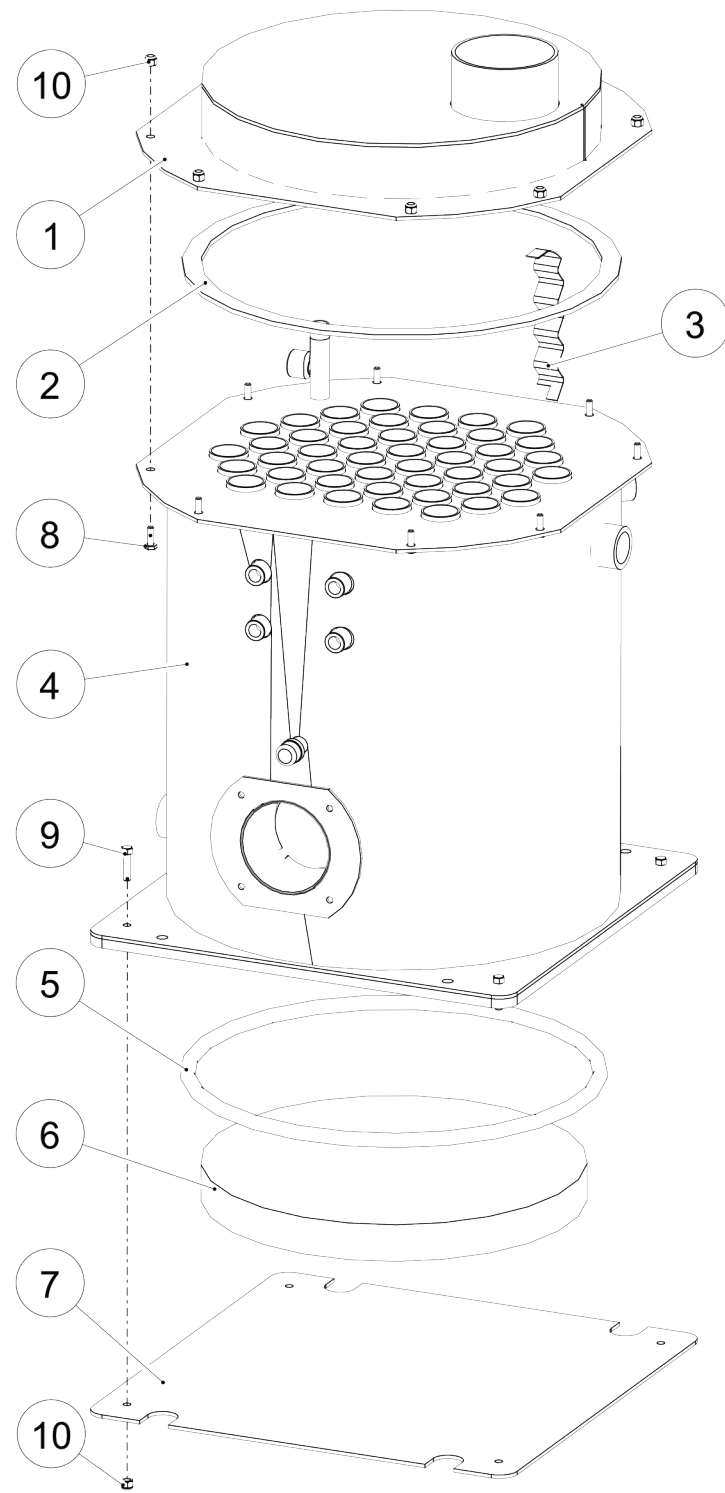
Heat Exchanger

Part No. 023-903814
Rev. 02 04-11-2023



**Central Mobile Enclosure
400 GTS Series
Heat Exchanger**

S/N: 166500 -
S/N: Current
PAGE: 2.1.5



Heat Exchanger

Part No. 023-903814
Rev. 02 04-11-2023



**Central Mobile Enclosure
400 GTS Series
Heat Exchanger**

S/N: 166500 -
S/N: Current
PAGE: 2.1.6

Item No.	Part No.	Description	Qty.
	018-903428	ASSY HEAT EXCHANGER 400GTS (Includes 1-10)	1
1	004-903423	COV TOP 2100-0300 HEAT EXCHANGER	1
2	021-704342 015-903693	GSKT HEAT RESIST 1/4x1 CLKG STV/GSKT CEMENT (2000 DEG F)	6 FT
3	004-903427	BAFFLE SMALL HEAT EXCHANGER	46
4	004-903411	WELDMENT HEAT EXCHANGER 2100-0300	1
5	021-704343 015-903693	GSKT HEAT RESIST 3/4IN DIA CLKG STV/GSKT CEMENT (2000 DEG F)	6 FT
6	021-704341	INSUL HEAT RESIST 19-7/8IN OD 2IN THK	1
7	004-704339	PC 3/16 A36 COV BOTTOM HEAT EXCHANGER	1
8	001-700804	BOLT 3/8X1 PLD GR5	8
9	001-700720	BOLT 3/8X1-1/2 PLD GR5	4
10	001-700721	NUT LKG NYL 3/8 UNC PLD	12
		The following components may not be shown	
	004-903468	INSUL HEAT EXCHANGER WRAP 2100-0150	1

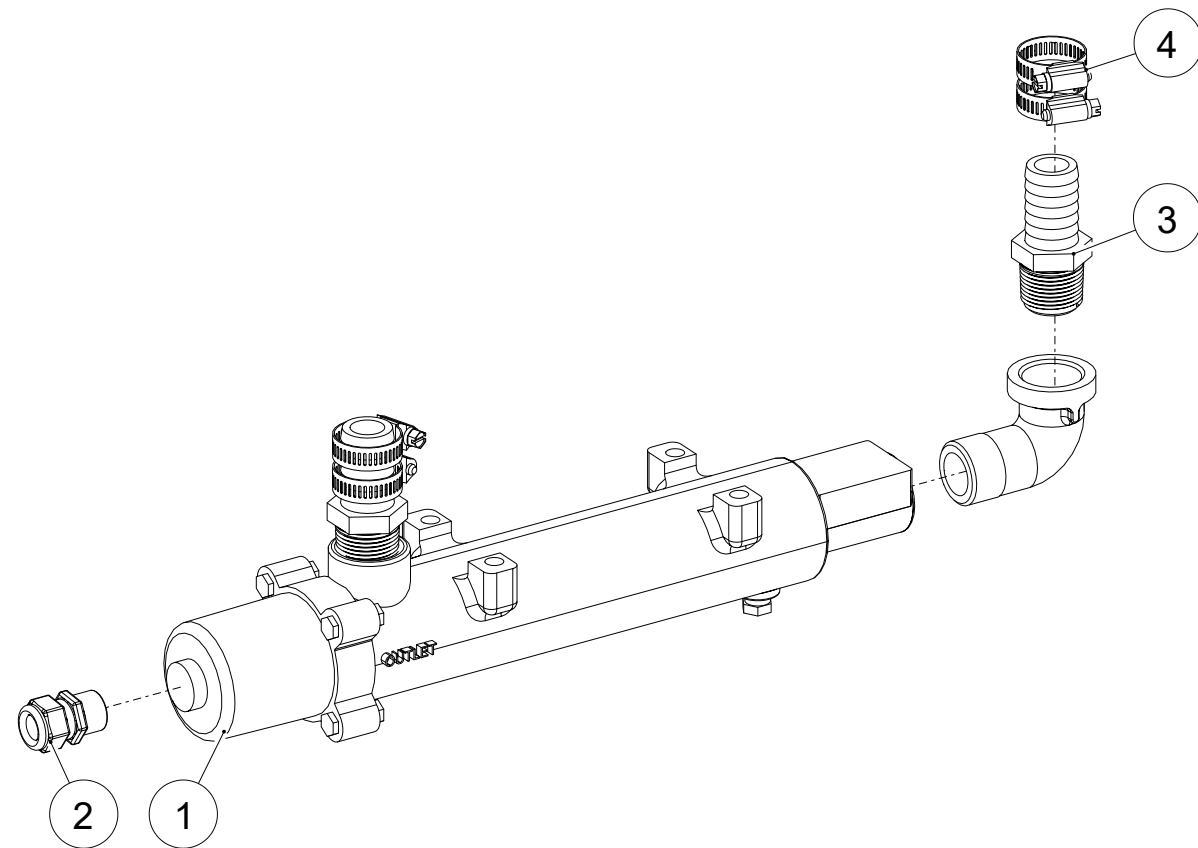
Heat Exchanger

Part No. 023-903814
Rev. 02 04-11-2023



Central Mobile Enclosure
400 GTS Series
Glycol Preheater

S/N: 166500 -
S/N: Current
PAGE: 2.1.7



Glycol Preheater

Part No. 023-903814
Rev. 02 04-11-2023



Central Mobile Enclosure
400 GTS Series
Glycol Preheater

S/N: 166500 -
S/N: Current
PAGE: 2.1.8

Item No.	Part No.	Description	Qty.
1	012-900791	HEATER CRCLT 1500W 120V	1
2	002-704262	CONN STRN/RLF 1/2 .24-.47 CE/CSA	1
3	011-702153	NIPL COMB 1*1 BRS ADPTR	2
4	001-700275	CLP HOSE HAS16 SLTD HEX HD SS	4
		The following components may not be shown	
	006-902213	ELEMENT HEATER CRCLT 1500W 120V	

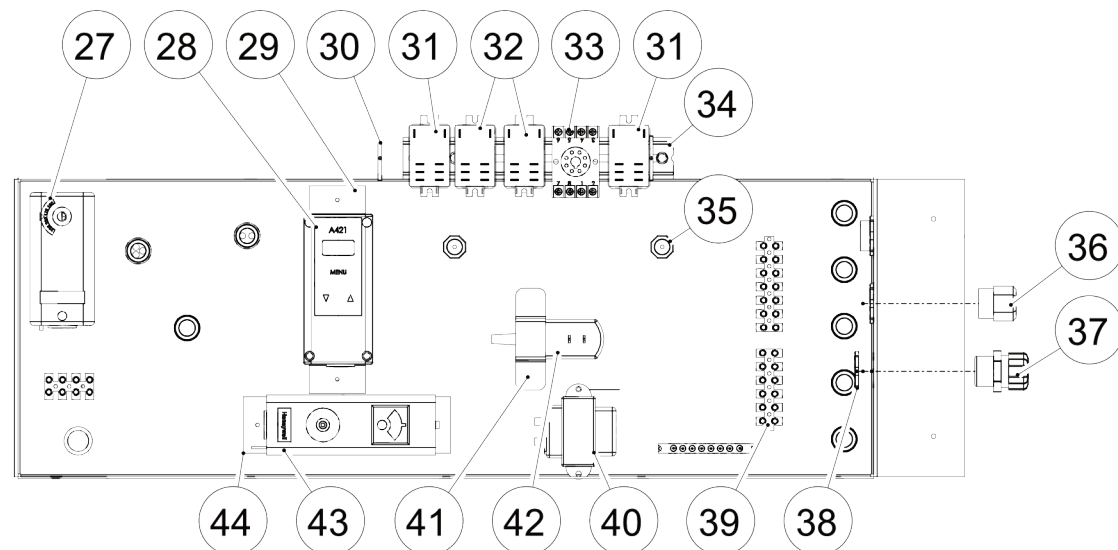
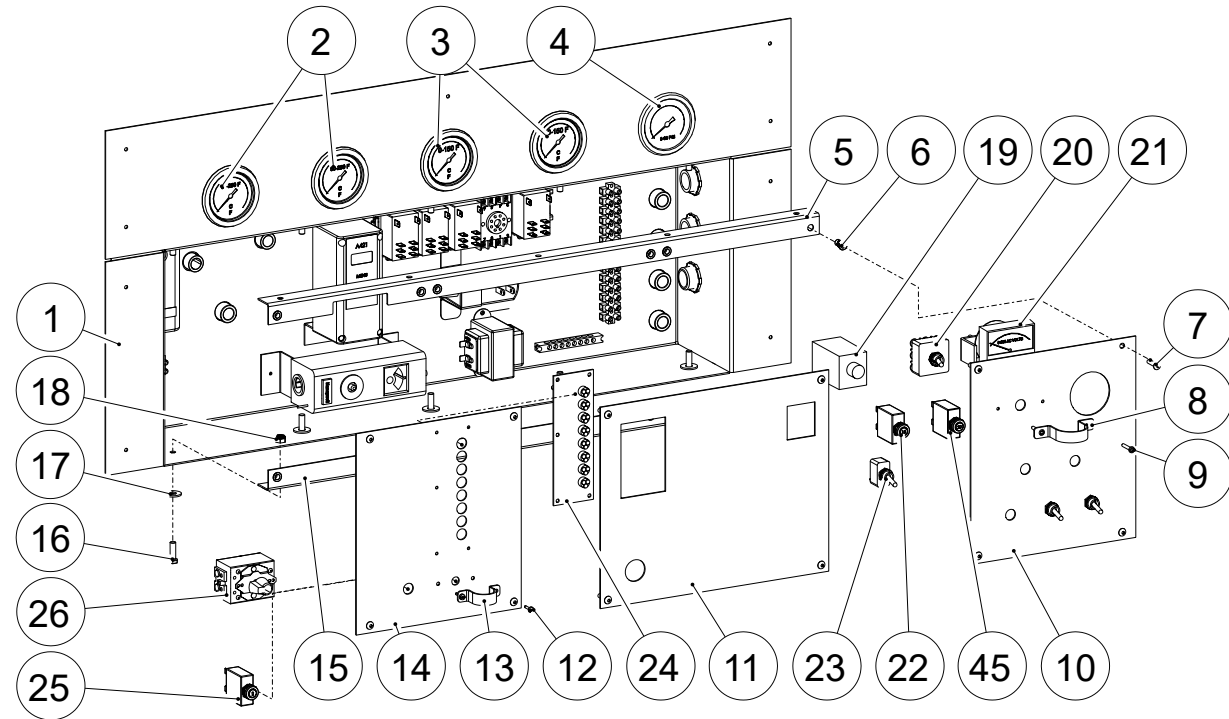
Glycol Preheater

Part No. 023-903814
Rev. 02 04-11-2023



**Central Mobile Enclosure
400 GTS Series
Control Panel**

S/N: 166500 -
S/N: Current
PAGE: 2.1.9



Control Panel

Part No. 023-903814
Rev. 02 04-11-2023



**Central Mobile Enclosure
400 GTS Series
Control Panel**

S/N: 166500 -
S/N: Current
PAGE: 2.1.10

Item No.	Part No.	Description	Qty.
1	004-903470	BOX CTRL PNL MOD 400GTS	1
2	005-701073	GAUGE TEMP 60IN CPLRY 40-240DEG F WIKA	2
3	005-702509	GAUGE TEMP 60IN CPLRY 0-150 DEG F	2
4	005-703489	GAUGE PRESS 0-60PSI PNL 2-1/2IN WIKA	1
5	004-903751	FLG TOP CTRL PNL 400GTS	1
6	001-704560	INSERT THD 10-24 RND BODY	12
7	001-900439	SCRW MACH 10-24X3/4 SS UNC BTN-HD 1/8HEX-DR	12
8	004-903835	GUARD SW TOGGLE LONG-THROW	1
9	001-702953	SCRW SH MET #6X3/4 PAN HD	2
10	004-903473	PNL R FACEPLATE CTRL PNL 400GTS	1
11	004-903472	PNL C FACEPLATE CTRL PNL 400GTS	1
12	001-701609	SCRW MACH 6-32X1/2 RND HEAD	2
13	004-903834	GUARD SW AUTO HI-LIMIT G1-11452	1
14	004-903471	PNL L FACEPLATE CTRL PNL 400GTS	1
15	004-900579	FLG INTL CNTR-PNL-MT	1
16	001-701482	BOLT 1/4X3/4 PLD GR5	10
17	001-700129	WSHR FLT 1/4 PLD	14
18	001-700042	NUT LKG NYL 1/4 UNC PLD	10
19	005-900673	TIMER ELEC 8 PIN ADJ RCYCL IDEC RTE-P1AF20	1
20	002-903540	SWITCH TGL 30A 3PDT	1
21	005-702512	GAUGE VOLT PNL 0-300V (Includes resistor)	1
	006-703482	RESISTOR RCD K3-261 10W 27 KJ	
22	002-704374	BRKR CIR 15A PUSH TO RESET W58-XB1A4A-15	2
23	002-703616	SWITCH TGL SPST 20A 125V 1/4 SPADE TERM	3
24	005-702514	BOARD LED 6GRN-110V 2RED-24V	1
25	002-903711	BRKR CIR 2A SP PUSH TO RESET	1
26A	006-701532	HI-LIMIT G1-11452 (1223)	1
26B	006-904930	KNOB HI LIMIT PLASTIC 1-1/4 HEAD 8-32 SET SCREW	1
27	005-703464	CONT TEMP JOHNSON (25-225F) SPDT	1
28	005-903333	CONT TEMP A421ABC-02C -40 TO 212F (Includes resistor)	1
	018-903385	If replacing CONT TEMP A419 use Part No. 018-903385	
29	004-903750	BRKT RISER CTRL PNL 400GTS	1
30	002-906301	CLIP END DIN RAIL 45MM	2
31	002-901417	RELAY 120V DPDT FINDER 66.82	2
32	002-900394	RELAY 24V DPDT 7500VAC NO 2500VAC NC	2
33	005-900674	SOCKET 8 PIN DIN/SURFACE MNT SCREW TERM	1
34	017-704383	RAIL DIN MOUNTING	14 IN
35	001-700953	NUT 1/2 PLD	2
36	002-703184	CONNECTOR STRN/RLF 3/4 .438-.562 CABLE RNG	2
37	002-700046	CONNECTOR STRN/RLF 3/4 .625-.750 CABLE RNG	1
38	002-701133	LOCKNUT 3/4 STL CONDUIT	3
39	002-702742	TERM STRP LGE 12 POLE 5-1/4L	3
40	006-701213	XFMR 40VA 120V 60HZ 24V CLASS 2	1
41	004-906027	BRKT MNT 12VDC XFMR FLUSH-MNT 1-15/16 L	1
42	002-903025	XFMR 120VAC/12VDC 2000MA	1
43	006-702140	CNTRL HI LIMIT MAN RESET	1
44	004-902218	BRKT RISER CTRL PNL GTS300 STD	1
45	002-704294	BRKR CKT 20A PUSH TO RESET	1
		The following components may not be shown	
	005-906611	SNSR TEMP JOHNSON A99BB-200C 6-1/2FT LENGTH Replacement sensor only	

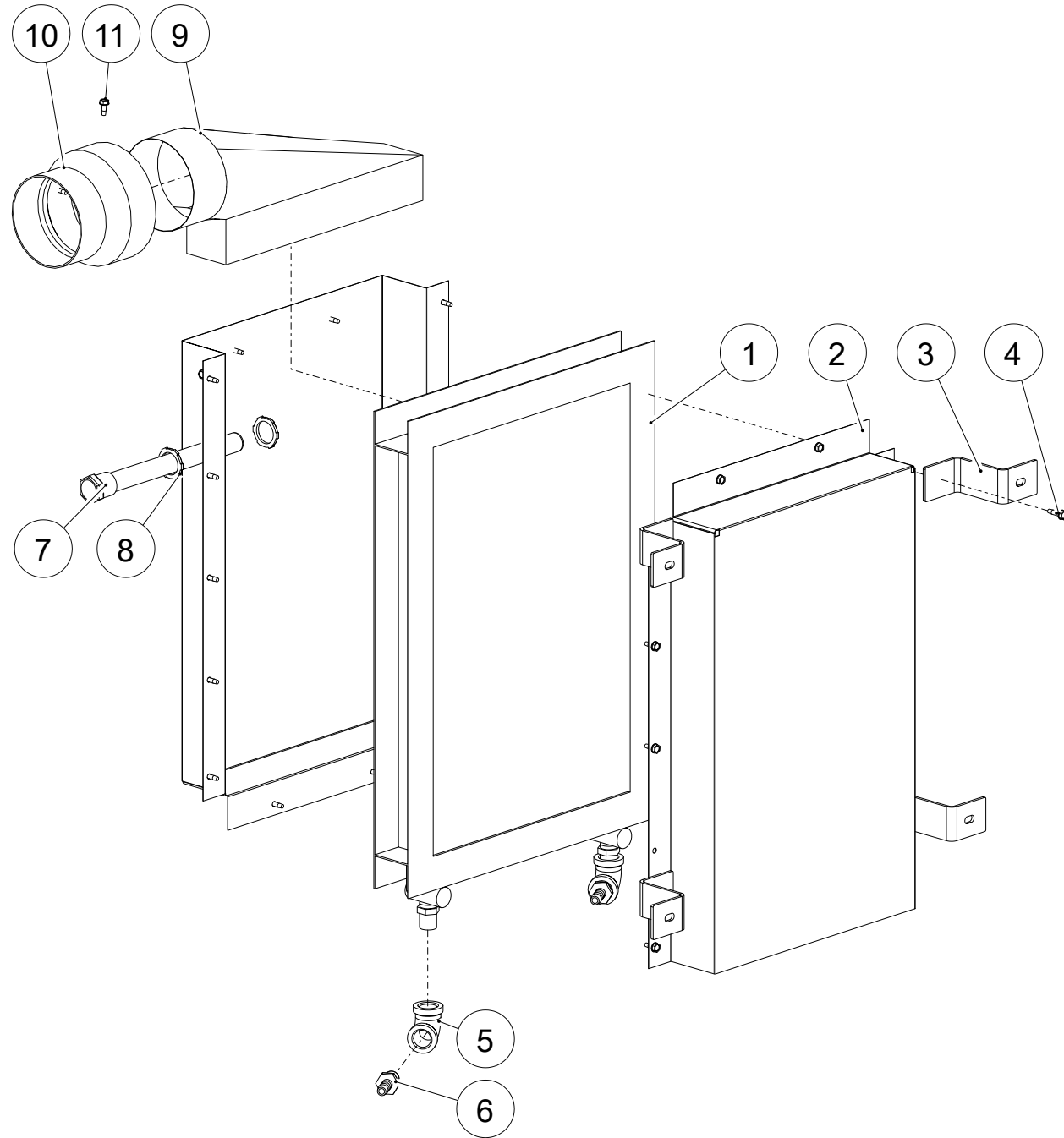
Control Panel

Part No. 023-903814
Rev. 02 04-11-2023



**Central Mobile Enclosure
400 GTS Series
Air Preheater**

S/N: 166500 -
S/N: Current
PAGE: 2.1.11



Air Preheater

Part No. 023-903814
Rev. 02 04-11-2023



**Central Mobile Enclosure
400 GTS Series
Air Preheater**

S/N: 166500 -
S/N: Current
PAGE: 2.1.12

Item No.	Part No.	Description	Qty.
1	012-702504	COIL AIR PREHEAT 12X18X2 ROW-8 FPI 1/2IN MPT	1
2	004-901948	PLENUM AIR PRE-HTR MOD 2200	2
3	004-901952	MNT SUPPORT AIR PRE-HTR	4
4	001-700236	SCRW D/T 10-24X3/4 5/16 HEX HD	4
5	011-702608	ELB 1/2X90DEG BRS NPTF	2
6	011-702563	NIPL COMB 1/2NPTX3/8HB BRS	2
7	005-700204	WELL F/AVTA/B 3/4 BRS BULB	1
8	002-701133	LOCKNUT 3/4 STL CONDUIT	2
9	004-901950	END BOOT AIR PRE-HTR MOD 2200	1
10	004-901951	RDCR AIR DUCT 5X4	1
11	001-700630	SCRW D/T 10-16X1/2 5/16HEX HD PLD	25

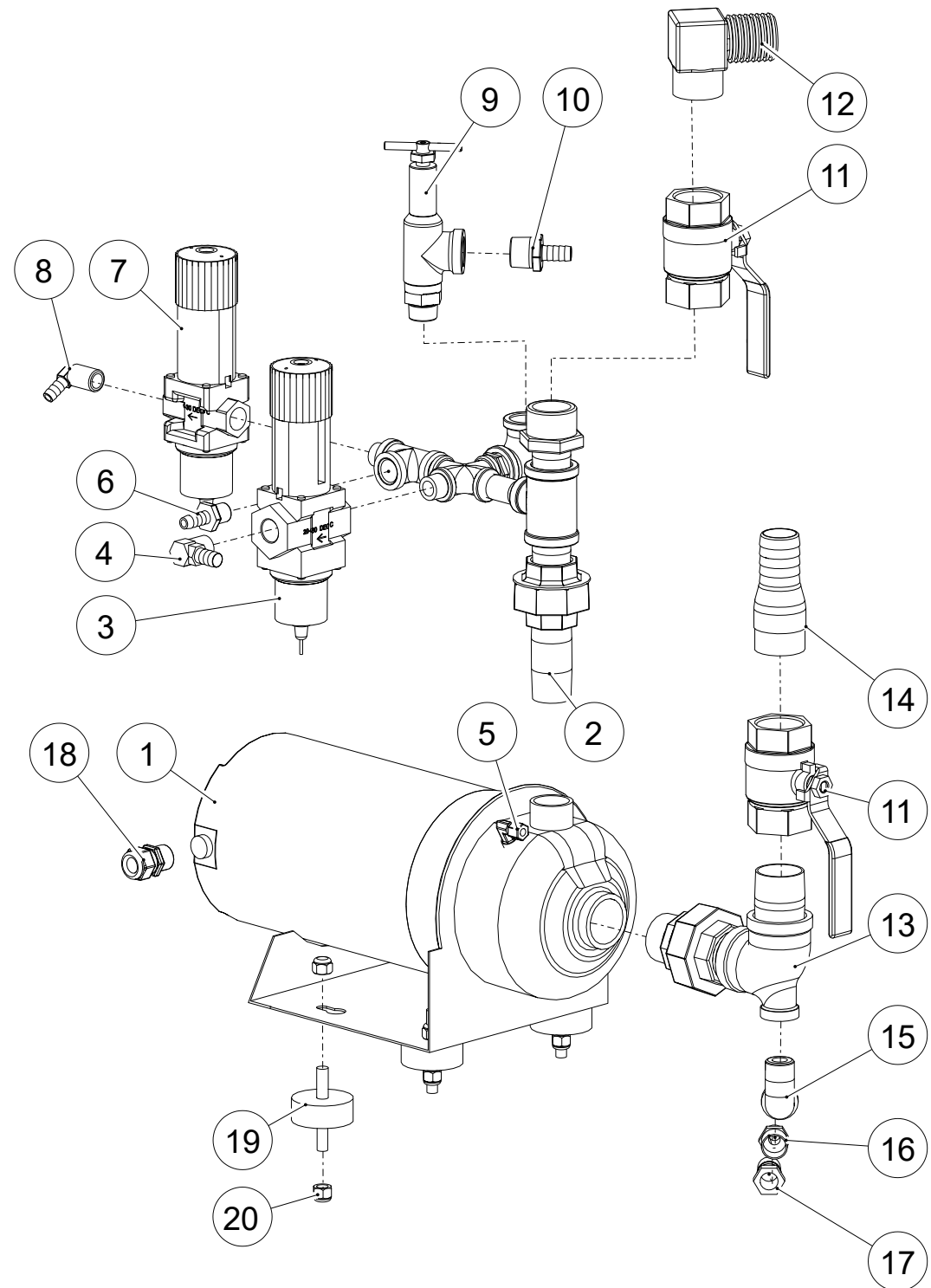
Air Preheater

Part No. 023-903814
Rev. 02 04-11-2023



**Central Mobile Enclosure
400 GTS Series
Pump Components**

S/N: 166500 -
S/N: 190215
PAGE: 2.1.13



Pump Components

Part No. 023-903814
Rev. 02 04-11-2023



**Central Mobile Enclosure
400 GTS Series
Pump Components**

S/N: 166500 -
S/N: 190215
PAGE: 2.1.14

Item No.	Part No.	Description	Qty.
1	012-800052	PUMP - see page 2.1.15	
2	018-903394	PKG OUTPUT PUMP GTS300 FRONT MNT	1
3	005-702506	VLV DANFOSS 1/2IN AVTB 15 20-60 DEG C TEMP RNG	1
4	011-704699	NIPL COMB 1/2NPTX1/2HB 90DEG BRS	1
5	011-700641	CPRSN FTG ELB 1/4TX1/4 MPT	1
6	011-702563	NIPL COMB 1/2NPTX3/8HB BRS	1
7	005-702505	VLV DANFOSS 1/2IN AVTB 15 0-30 DEG C TEMP RNG	1
8	011-900594	NIPL COMB 90ELB 1/2MPT X 3/8HB BRS	1
9	005-700121	VLV BYPASS PRESS RLF 3/4 BRS	1
10	011-702564	NIPL COMB 3/4NPTX1/2HB BRS	1
11	011-700178	VLV BALL 1-1/4 400WOG FL PT BRS CGA NPTF	2
12	011-901949	NIPL COMB 1-1/4NPTX1-1/4HB 90DEG BRS	1
13	018-901965	PKG PLUM VLV TO PUMP INPUT SIDE MOD 2200	1
14	011-901971	NIPL COMB 1-1/4NPTX1-1/4HB BRS	1
15	011-703048	ELB ST 1/2X90DEG BRS NPT	1
16	011-901963	NIPL HEX RDCG 1/2MNPTX3/8MNPT BRS	1
17	011-900428	QC NIPL 3/8 BRS NPTF	1
18	002-704262	CONN STRN/RLF 1/2 .24-.47 CE/CSA	1
19	001-702461	MNT VIB NEOPRENE 3/8X1 THRD 2IN DIA X 3L	4
20	001-700721	NUT LKG NYL 3/8 UNC PLD	8

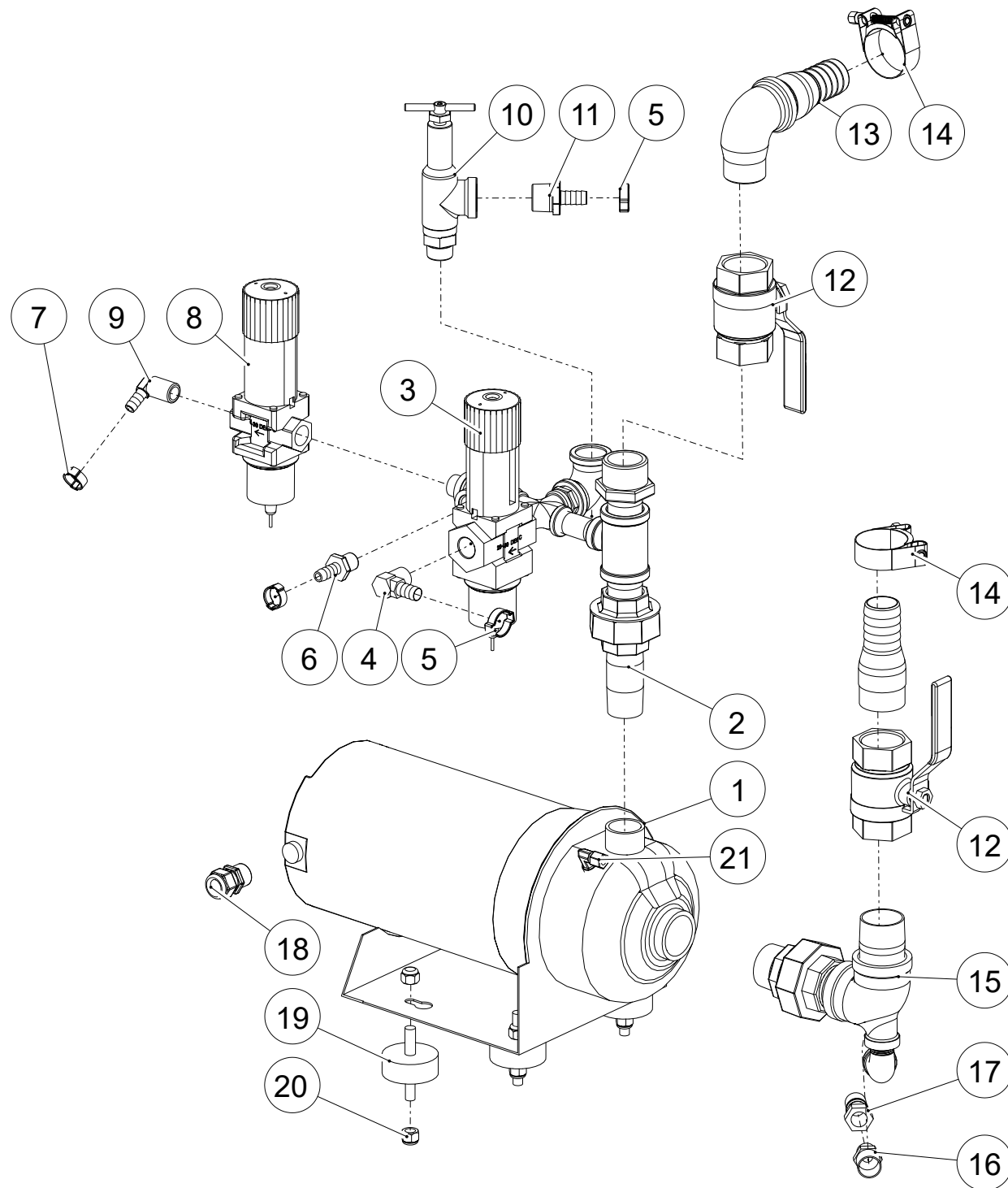
Pump Components

Part No. 023-903814
Rev. 02 04-11-2023



**Central Mobile Enclosure
400 GTS Series
Pump Components**

S/N: 190501 -
S/N: Current
PAGE: 2.2.13



Pump Components

Part No. 023-903814
Rev. 02 04-11-2023



**Central Mobile Enclosure
400 GTS Series
Pump Components**

S/N: 190501 -
S/N: Current
PAGE: 2.2.14

Item No.	Part No.	Description	Qty.
1	012-800052	PUMP - see page 2.1.15	
2	018-903394	PKG OUTPUT PUMP GTS300 FRONT MNT	1
3	005-702506	VLV DANFOSS 1/2IN AVTB 15 20-60 DEG C TEMP RNG	1
4	011-704699	NIPL COMB 1/2NPTX1/2HB 90DEG BRS	1
5	001-702552	CLP 2-EAR #22SS - 1/2ID HOSE	2
6	011-702563	NIPL COMB 1/2NPTX3/8HB BRS	1
7	001-702551	CLP 2-EAR #18SS - 3/8ID HOSE	2
8	005-702505	VLV DANFOSS 1/2IN AVTB 15 0-30 DEG C TEMP RNG	1
9	011-900594	NIPL COMB 90ELB 1/2MPT X 3/8HB BRS	1
10	005-700121	VLV BYPASS PRESS RLF 3/4 BRS	1
11	011-702564	NIPL COMB 3/4NPTX1/2HB BRS	1
12	011-700178	VLV BALL 1-1/4 400WOG FL PT BRS CGA NPTF	2
13	018-906496	PKG PLMB 1 1/4IN ELB HB	1
14	001-704678	CLP HOSE HEAVY DUTY 1.69-1.85 RNG (43-47mm)	2
15	018-906499	PKG PLLMB PUMP INLET 400GTS	1
16	011-901963	NIPL HEX RDCG 1/2MNPTX3/8MNPT BRS	1
17	011-900428	QC NIPL 3/8 BRS NPTF	1
18	002-704262	CONN STRN/RLF 1/2 .24-.47 CE/CSA	1
19	001-702461	MNT VIB NEOPRENE 3/8X1 THRD 2IN DIA X 3L	4
20	001-700721	NUT LKG NYL 3/8 UNC PLD	8

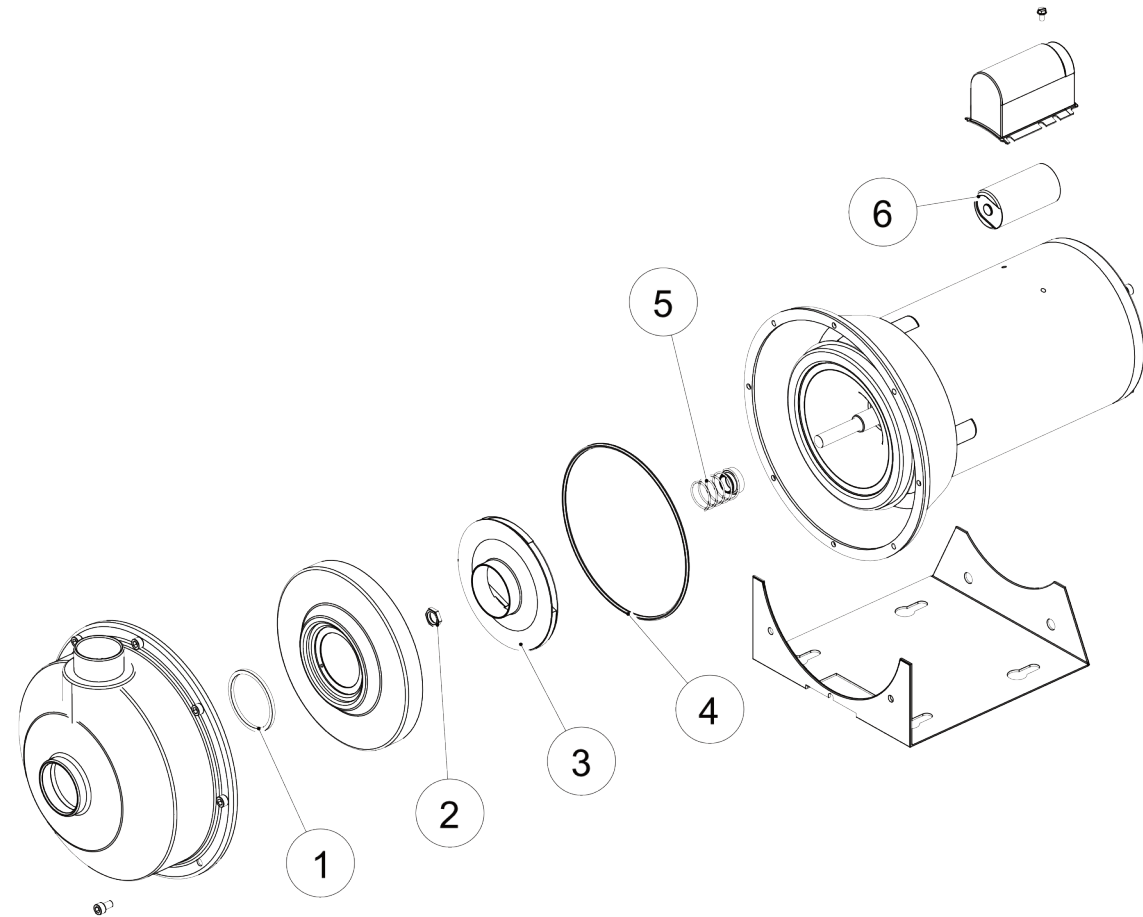
Pump Components

Part No. 023-903814
Rev. 02 04-11-2023



**Central Mobile Enclosure
400 GTS Series
Pump**

S/N: 166500 -
S/N: Current
PAGE: 2.1.15



Pump

Part No. 023-903814
Rev. 02 04-11-2023



**Central Mobile Enclosure
400 GTS Series
Pump**

S/N: 166500 -
S/N: Current
PAGE: 2.1.16

Item No.	Description	Part No.				
		012-800052 3/4 HP	012-800053 1 HP	012-905311 2 HP	012-800055 2 HP	012-702751 3 HP
1	SEAL RING GUIDEVANE G & L PUMP	006-703027	006-703008			
2	LOCKNUT IMPELLER G & L PUMP	006-703026				
3	IMPELLER G & L PUMP	006-703028	006-703029	006-703007	006-703030	006-703031
4	O-RING CASING G & L PUMP	006-703006				
5	SEAL MECH G & L PUMP	006-703005				
6A	CAPACITOR PUMP GOULDS	006-701171	006-702799	006-701171		006-703468
6B	CAPACITOR RUN PUMP GOULDS CAPACITOR RATING: 60µF 370V	006-906552				
6C	CAPACITOR RUN PUMP GOULDS W/ NIDEC MOTOR CAPACITOR RATING: 40µF 370V	006-906922				
6D	CAPACITOR START PUMP GOULDS W/ NIDEC MOTOR CAPACITOR RATING: 233-280µF 165V	006-906923				
6E	CAPACITOR PUMP GOULDS W/ NIDEC MOTOR CAPACITOR RATING: 189-227µF 110V	006-906943				

REFER TO PUMP MOTOR NAME PLATE EXAMPLES PRIOR TO ORDERING CAPACITORS

**NIDEC MOTOR NAME
PLATE EXAMPLE**

		CUST. NO. E09054885	
CAT. NO.	MODEL	INS F	AMB °C
1000000000	Y635WCHW-534	AMB 40 °C	PH 1
TERMINALLY PROTECTED AUTO ENC ODP FRAME 56J DUTY CONT DATE CODE			
PHOT CODE 00240			
60 HZ DATA		50 HZ DATA	
3	HP	3	HP
3450	RPM	2850	RPM
208-230	VOLTS	220-230	VOLTS
14.0-15.0	F.L.A.	14.0-15.0	F.L.A.
1.15	S.F.A.	1.0	S.F.A.
10.0-14.0	S.F.A.	N/A	S.F.A.
DE IP22			
SUITABLE FOR FIELD WIRING. USE COPPER CONDUCTORS ONLY			
WARNING MOTOR MUST BE GROUNDED IN ACCORDANCE WITH LOCAL AND NATIONAL ELECTRIC CODES. COMPONENT COVER MUST BE IN PLACE BEFORE OPERATING TO PREVENT ELECTRICAL SHOCK OR INJURY			

**WEG, BLUFFTON MOTOR NAME
PLATE EXAMPLE**

		MEAT 1536027 SERIAL 1073119461	
HZ	V	HP	RPM
60	115/208-230 V	50	115/230 V
0.75	HP	0.75	HP
3450	RPM	2875	RPM
9.2/4.6-4.6	FLA	12.2/6.1	FLA
1.5	SFA	1.00	SFA
12.0/6.5-6.0	FR	E05C12A1EB6G	REF
56J	PH 1	COOL	J
AMB 40 °C	U	40 °C	REF
CONNECTIONS			
WARNING Always disconnect motor from power supply before servicing. Fatal shock may result if motor frame and adjacent metal are not grounded in compliance with electrical code.			
TERMINALLY PROTECTED AUTOMATIC RESET Motor will restart without warning after protector trips. Do not install this motor on equipment where automatic startup could result in injury.			

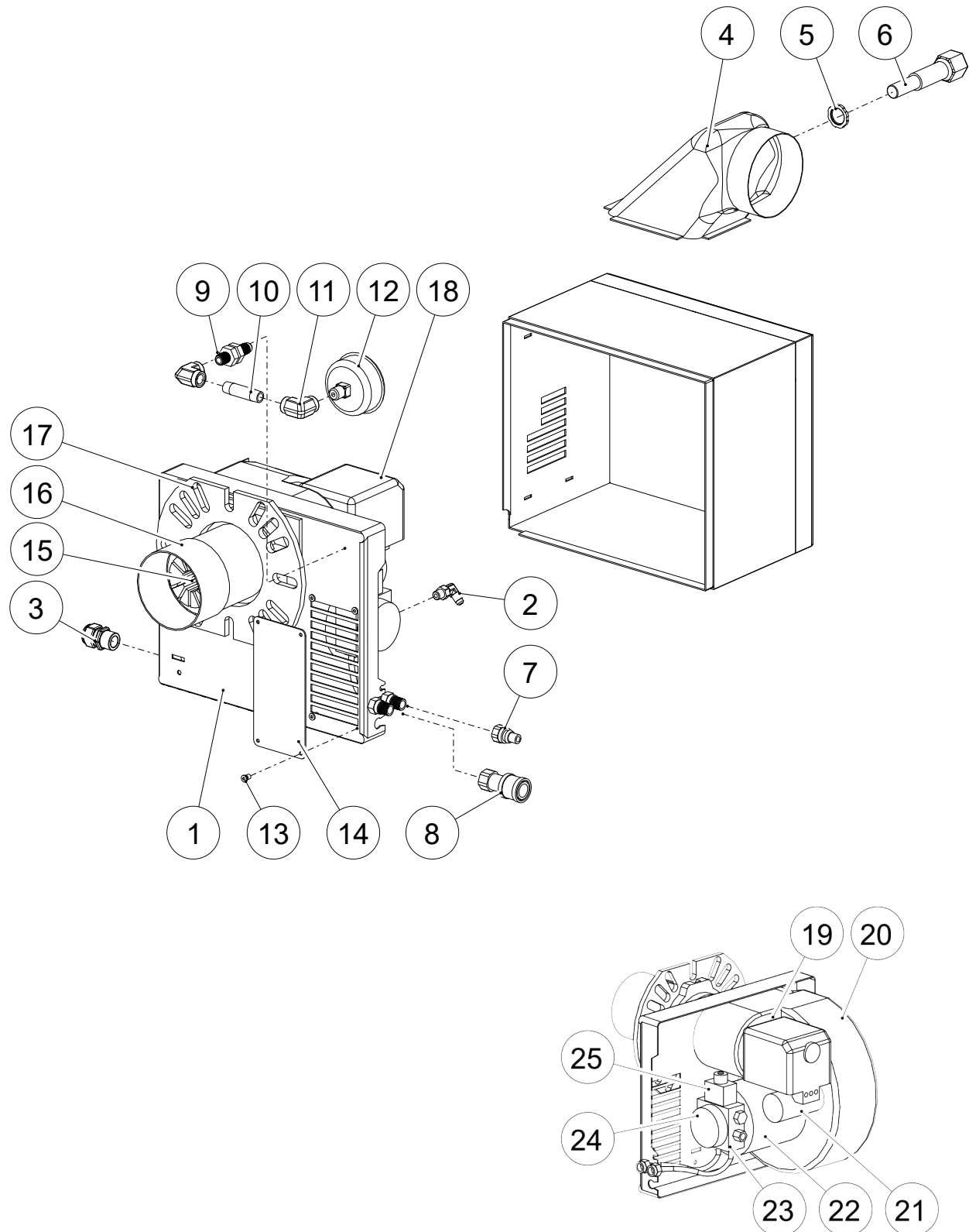
Pump

Part No. 023-903814
Rev. 02 04-11-2023



Central Mobile Enclosure
400 GTS Series
Burner

S/N: 166500 -
S/N: Current
PAGE: 2.1.17



Burner

Part No. 023-903814
Rev. 02 04-11-2023



Central Mobile Enclosure
400 GTS Series
Burner

S/N: 166500 -
S/N: Current
PAGE: 2.1.18

Item No.	Part No.	Description	Qty.
	018-903405	PKG BURNER MOD 2100-0400 400GTS (Includes 1-25)	1
1	012-900390	BURNER RIELLO 40-F10 FUEL OIL	1
	006-906339	CVR RIELLO F10 BURNER	1
2	011-702798	ADPTR 90DEG 1/8BSPP X 7/16JIC 37DEG FLARE	1
3	002-704262	CONN STRN/RLF 1/2 .24-.47 CE/CSA	1
4	004-901974	DUCT TOP TAKE OFF 4IN	1
5	002-701131	LOCKNUT 1/2 STL CONDUIT	2
6	005-702592	WELL THERM BRS 4-3/8IN .385 BORE 1/2IN NPT	1
7	011-703823	QC NIPL 1/4 STL PLD NPTF	1
8	011-703822	QC CPLR 1/4 STL PLD NPTF	1
9	011-703015	ADPTR BHD 1/4NPTX9/16JIC 37DEG FLARE	1
10	011-703796	NIPL 1/4X2 BRS NPT	1
11	011-703016	ELB 1/4X90DEG PLD STEEL NPT	2
12	005-702752	GAUGE PRESS 0-200PSI 1/4NPT 2-1/2FACE PNL MNT	1
13	001-901203	RIVET 5/32 GRP .126 -.250 SS	4
14	004-902912	PLT 16GA 3X6-1/4	1
15	011-903805	NOZZLE OIL BNR B 1.75X60DEG	1
16	012-900391	BURNER-TUBE SHORT F10	1
17	006-902848	GSKT MNT RIELLO F10	1
18	006-702790	CNTRL PRIMARY RIELLO 40 F5/F20	1
19	006-902850	ELECTRODE ASSY 5IN RIELLO 40-F10	1
20	006-902845	FAN RIELLO F10	1
21	006-902849	CAPACITOR 12.5 UF RIELLO F10	1
22	006-902847	MOTOR RIELLO F10	1
23	006-702792	KEY PUMP DRIVE RIELLO 40-F5/F20	1
24	006-702793	PUMP RIELLO 40-F5/F15	1
25	006-702785	COIL OIL VLV RIELLO 40-F5/F20	1
		The following components may not be shown	
	006-903842	PKG SERVICE RIELLO 40-F5/F10 FUEL OIL	1
	012-904988	KIT PREHEATED NOZZLE LINE RIELLO F10	1
	006-702788	PHOTOCELL RIELLO 40-F5/F20	1

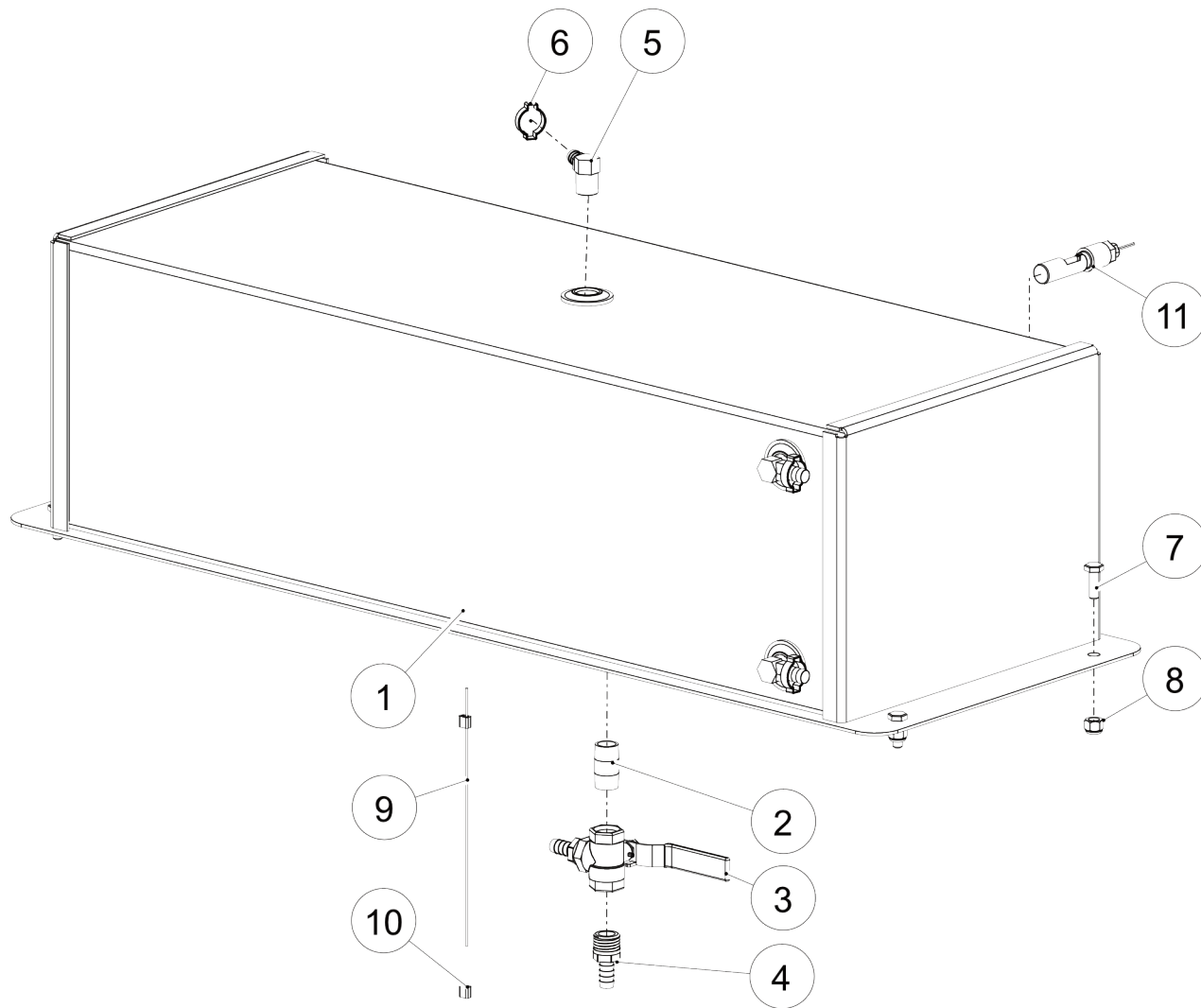
Burner

Part No. 023-903814
Rev. 02 04-11-2023



**Central Mobile Enclosure
400 GTS Series
Glycol Tank**

S/N: 166500 -
S/N: Current
PAGE: 2.1.19



Glycol Tank

Part No. 023-903814
Rev. 02 04-11-2023



**Central Mobile Enclosure
400 GTS Series
Glycol Tank**

S/N: 166500 -
S/N: Current
PAGE: 2.1.20

Item No.	Part No.	Description	Qty.
1	004-903134	TANK GLY 400GTS	1
2	011-703574	NIPL 1/2X1-1/2 BRS NPT	1
3	011-702594	VLV 1/2 3-WAY BRS	1
4	011-702565	NIPL COMB 1/2NPTX1/2HB BRS	2
5	011-704699	NIPL COMB 1/2NPTX1/2HB 90DEG BRS	3
6	001-702552	CLP 2-EAR #22SS - 1/2ID HOSE	3
7	001-700804	BOLT 3/8X1 PLD GR5	4
8	001-700721	NUT LKG NYL 3/8 UNC PLD	4
9	001-700451	CABLE ACFT 7X7 1/16 GALV	1 FT
10	001-700450	SLEEVE OVAL 1/16 AL CABLE	2
11	002-702012	SW-FLOAT FSH-31	2

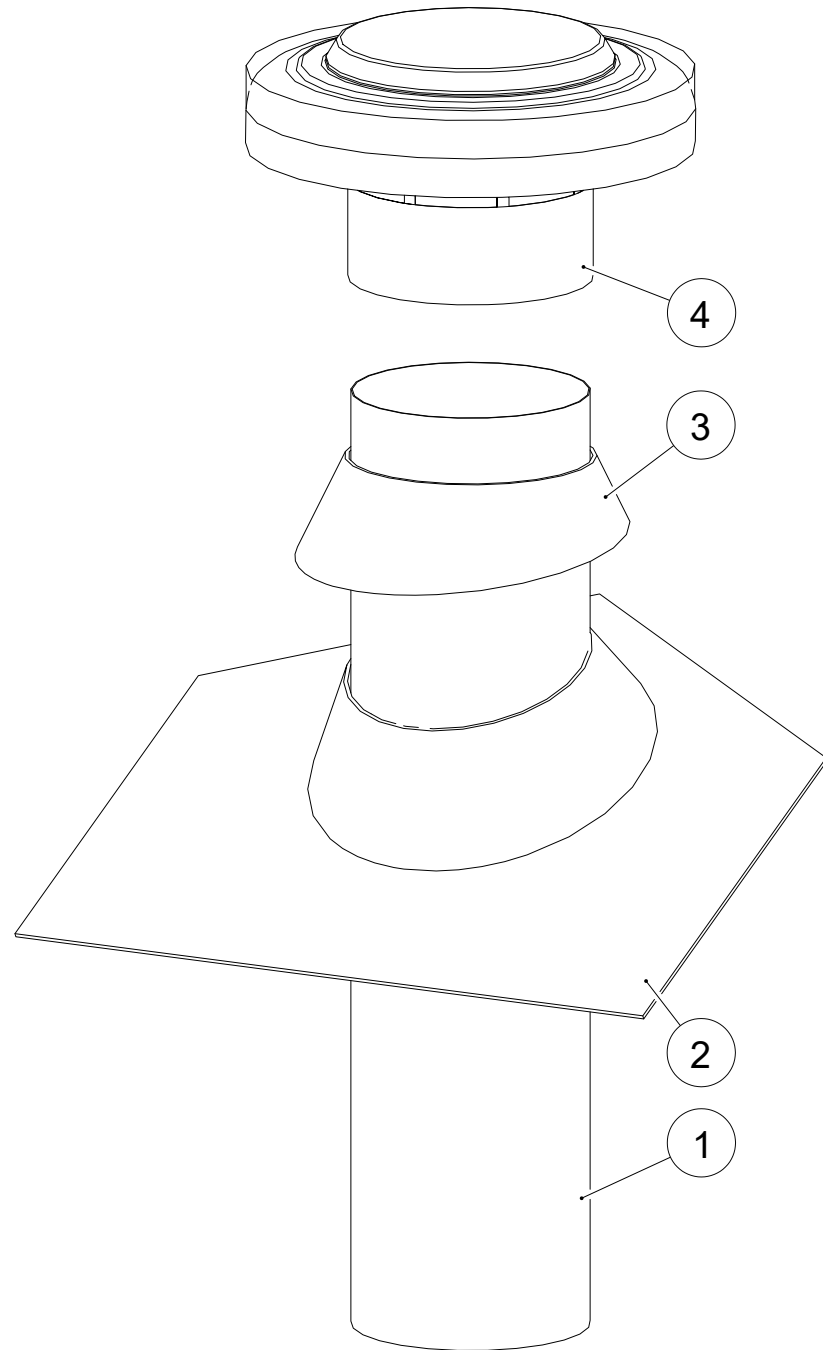
Glycol Tank

Part No. 023-903814
Rev. 02 04-11-2023



Central Mobile Enclosure
400 GTS Series
Chimney

S/N: 166500 -
S/N: Current
PAGE: 2.1.21



Chimney

Part No. 023-903814
Rev. 02 04-11-2023



Central Mobile Enclosure
400 GTS Series
Chimney

S/N: 166500 -
S/N: Current
PAGE: 2.1.22

Item No.	Part No.	Description	Qty.
1A	004-901125	CHMNY PIPE 6X24 24GA GALV SNAP-LOCK	1
1B	004-903629	CHMNY PIPE 6X24L 24 GA SNAP LOCK SS	1
2A	004-902011	CHMNY FLSHG ROOF 6IN ANG	1
2B	004-903630	FLSHG ROOF VENT 6IN SS	1
3A	004-902012	CHMNY STORM COLLAR 6IN	1
3B	004-903631	STORM COLLAR 6IN SS	1
4A	004-900424	CHMNY CAP 6IN CHINA GALV	1
4B	004-903628	CHMNY CAP 6IN SS	1

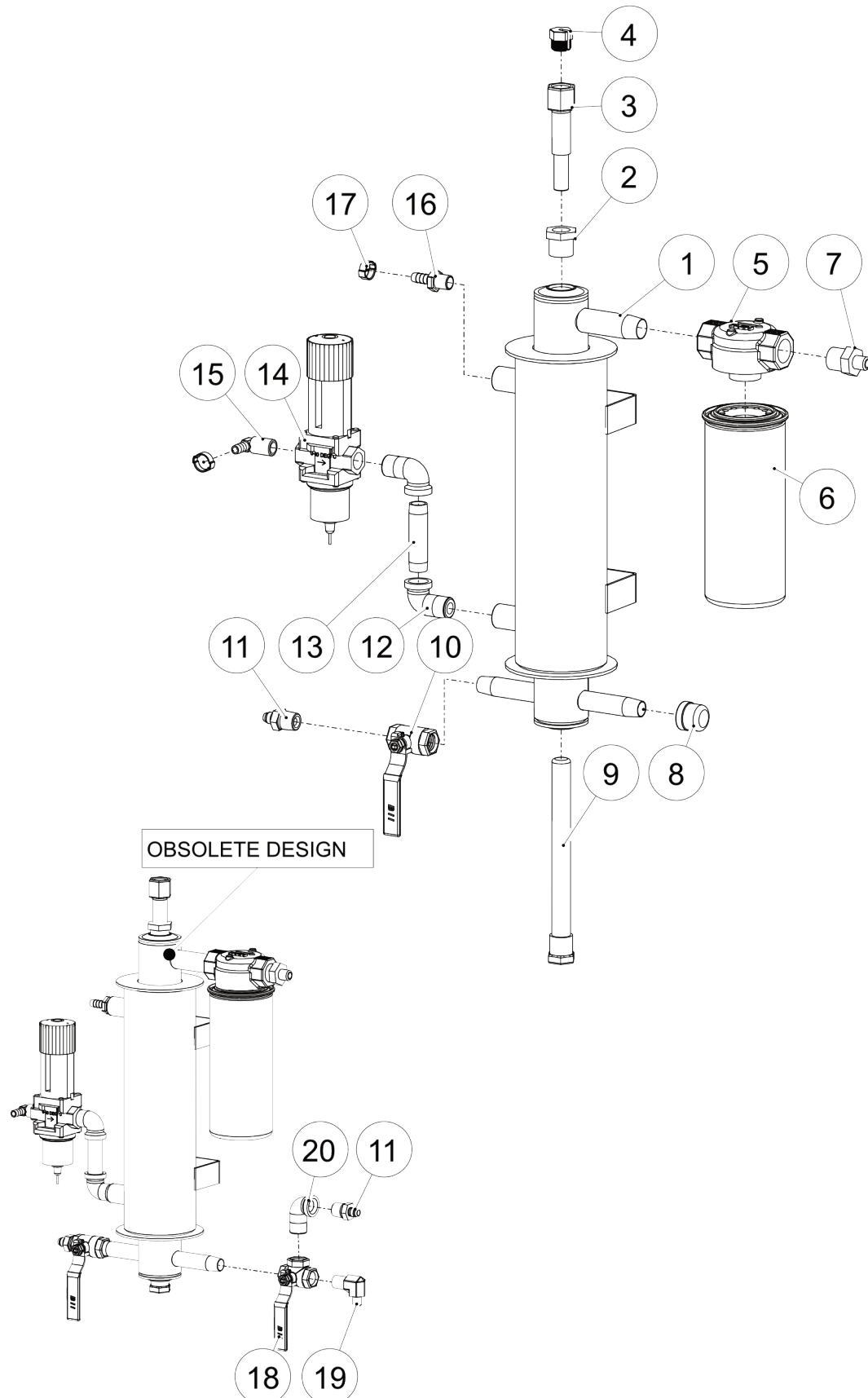
Chimney

Part No. 023-903814
Rev. 02 04-11-2023



**Central Mobile Enclosure
400 GTS Series
Fuel Preheater**

S/N: 166500 -
S/N: Current
PAGE: 2.1.23



Fuel Preheater

Part No. 023-903814
Rev. 02 04-11-2023



**Central Mobile Enclosure
400 GTS Series
Fuel Preheater**

S/N: 166500 -
S/N: Current
PAGE: 2.1.24

Item No.	Part No.	Description	Qty.
1	004-901953	PRE-HTR DSL MOD 2200 WELDMENT	1
2	011-900531	BSHG RDCG 3/4 MPT X 1/2 FPT BRS	1
3	005-702592	WELL THERM BRS 4-3/8IN .385 BORE 1/2IN NPT	1
4	005-702757	NUT SPLIT WELLCAP 3/4FINE THREAD	1
5	012-702587	ADPTR FUEL FILTER MTG AL	1
6	012-702588	FILTER FUEL OIL PART/WTR COMB	1
7	011-901436	ADPTR 3/4NPT X #6JIC 37DEG FLARE	1
8	011-704121	CAP 1/2 NPT MI (SN: 173601 - Current)	1
9	005-700204	WELL F/AVTA/B 3/4 BRS BULB	1
10	011-700115	VLV BALL 1/2 400WOG STD BRS CGA NPTF	1
11	011-702625	ADPTR 1/2 NPT X #6JIC 37DEG FLARE	1 OR 2
12	011-703048	ELB ST 1/2X90DEG BRS NPT	2
13	011-900592	NIPL 1/2X3 BRS MPT	1
14	005-702505	VLV DANFOSS 1/2IN AVTB 15 0-30 DEG C TEMP RNG	1
15	011-900594	NIPL COMB 90ELB 1/2MPT X 3/8HB BRS	1
16	011-702563	NIPL COMB 1/2NPTX3/8HB BRS	1
17	001-702551	CLP 2-EAR #18SS - 3/8ID HOSE	2
18	011-702594	VLV 1/2 3-WAY BRS (SN: 166501 - 173215)	1
19	011-900602	ADPTR 90ELB 3/8MJIC 37X1/2 MPT STL (SN: 166501 - 173215)	1
20	011-703048	ELB ST 1/2X90DEG BRS NPT (SN: 166501 - 173215)	1

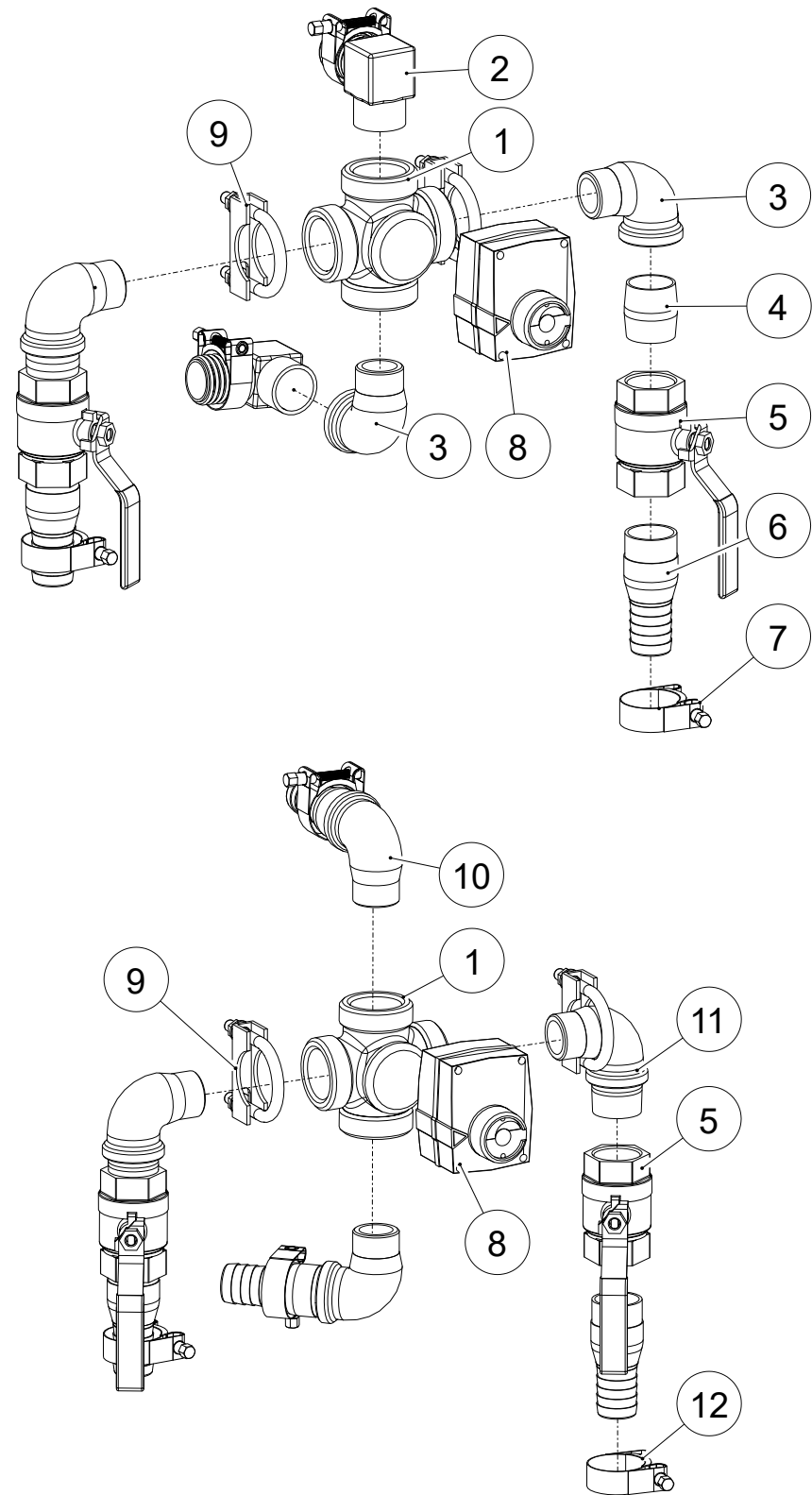
Fuel Preheater

Part No. 023-903814
Rev. 02 04-11-2023



**Central Mobile Enclosure
400 GTS Series
Flow Reverser**

S/N: 166500 -
S/N: Current
PAGE: 2.1.25



Flow Reverser

Part No. 023-903814
Rev. 02 04-11-2023



**Central Mobile Enclosure
400 GTS Series
Flow Reverser**

S/N: 166500 -
S/N: Current
PAGE: 2.1.26

Item No.	Part No.	Description	Qty.
1	011-901968	VLV 1-1/4 4WAY ESBE	1
2	011-901949	NIPL COMB 1-1/4NPTX1-1/4HB 90DEG BRS (SN: 166500 - 190215)	2
3	011-901970	ELB ST 1-1/4NPT 90DEG BRS (SN: 166500 - 190215)	3
4	011-902995	NIPL 1-1/4(CL) BRS NPT 1-3/4L (SN: 166500 - 190215)	2
5	011-700178	VLV BALL 1-1/4 400WOG FL PT BRS CGA NPTF	2
6	011-901971	NIPL COMB 1-1/4NPTX1-1/4HB BRS (SN: 166500 - 190215)	2
7	001-704678	CLP HOSE HEAVY DUTY 1.69-1.85 RNG (43-47mm) (SN: 166500 - 190215)	4
8	005-704062	ACTUATOR MOTOR ESBE MODEL ARA 600	1
9	001-700622	CLP MUF 1-7/8X3/8 BOLT ZINC PLD	2
10	018-906496	PKG PLMB 1-1/4IN ELB HB (SN: 190501 - Current)	2
11	018-906497	PKG PLMB 1-1/4IN ELB NIPL (SN: 190501 - Current)	2
12A	001-704669	CLP HOSE HEAVY DUTY 1.57-1.69 RNG (40-43mm) (SN: 190501 - Current)	4

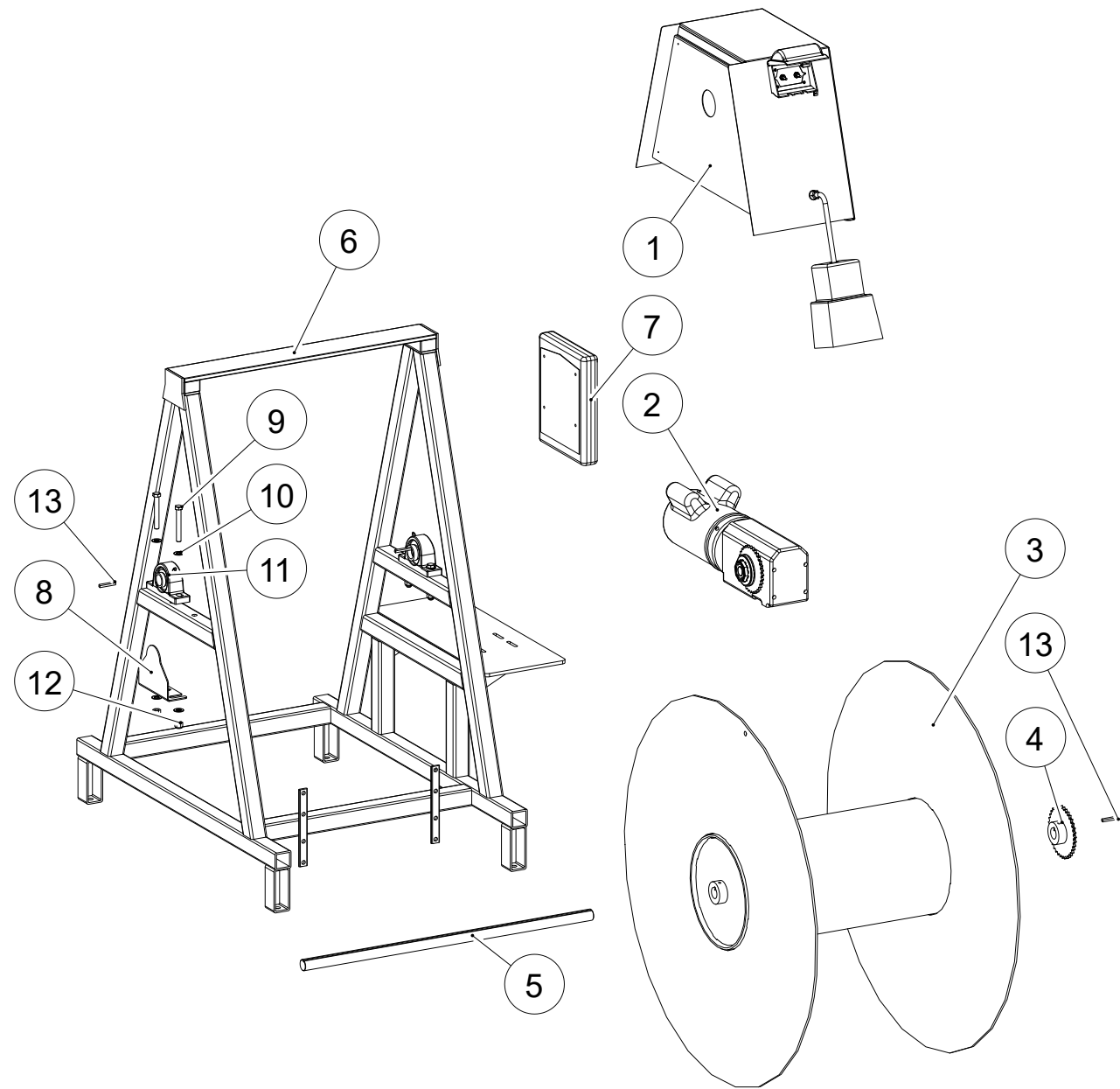
Flow Reverser

Part No. 023-903814
Rev. 02 04-11-2023



Central Mobile Enclosure
400 GTS Series
Hose Reel Assembly

S/N: 166500 -
S/N: 167015
PAGE: 3.1.1



Hose Reel Assembly

Part No. 023-903814
Rev. 02 04-11-2023



Central Mobile Enclosure
400 GTS Series
Hose Reel Assembly

S/N: 166500 -
S/N: 167015
PAGE: 3.1.2

Item No.	Part No.	Description	Qty.
1		SHIELD - see page 3.1.3	
2		HOSE REEL DRIVE - see page 3.1.5	
3	004-901898	SPOOL HOSE REEL GTS300	1
4	004-703572	SPRKT 36T #40 CHAIN 1-1/4 WELD-ON HUB	1
5	004-901902	SHAFT CR 1-1/4X36L W-KEYWAY GTS300	1
6	004-901893	HOSE REEL FRAME GTS300	1
7	016-702616	CASE OPR MNL MANUAL-PAK	1
8	004-703607	SHLD SHAFT/BRG MOD 2250-HR	1
9	001-702159	BOLT 1/2X3-3/4 UNC PLD	4
10	001-700110	WSHR FLT 1/2 SAE PLD	16
11	017-703610	BRG PLBLK 1-1/4 DUCTILE HSG	2
12	001-701606	NUT LKG NYL 1/2 UNC PLD	4
13	004-703614	KEY 1/4X1/4 2L	3
		The following components may not be shown	
	004-900491	TBG 4X4X.188W 3-1/8L C/W HOLE	4
	017-701326	CHAIN ROLLER #40	2-1/2FT
	017-701329	LINK OFFSET DF #40	1
	017-701592	CONNECTOR CHAIN LINK #40	1
	001-700476	BOLT 1/2X3 PLD GR5	4
	001-700953	NUT 1/2 PLD	4
	001-900743	BOLT 1/2X9 PLD GR5	4

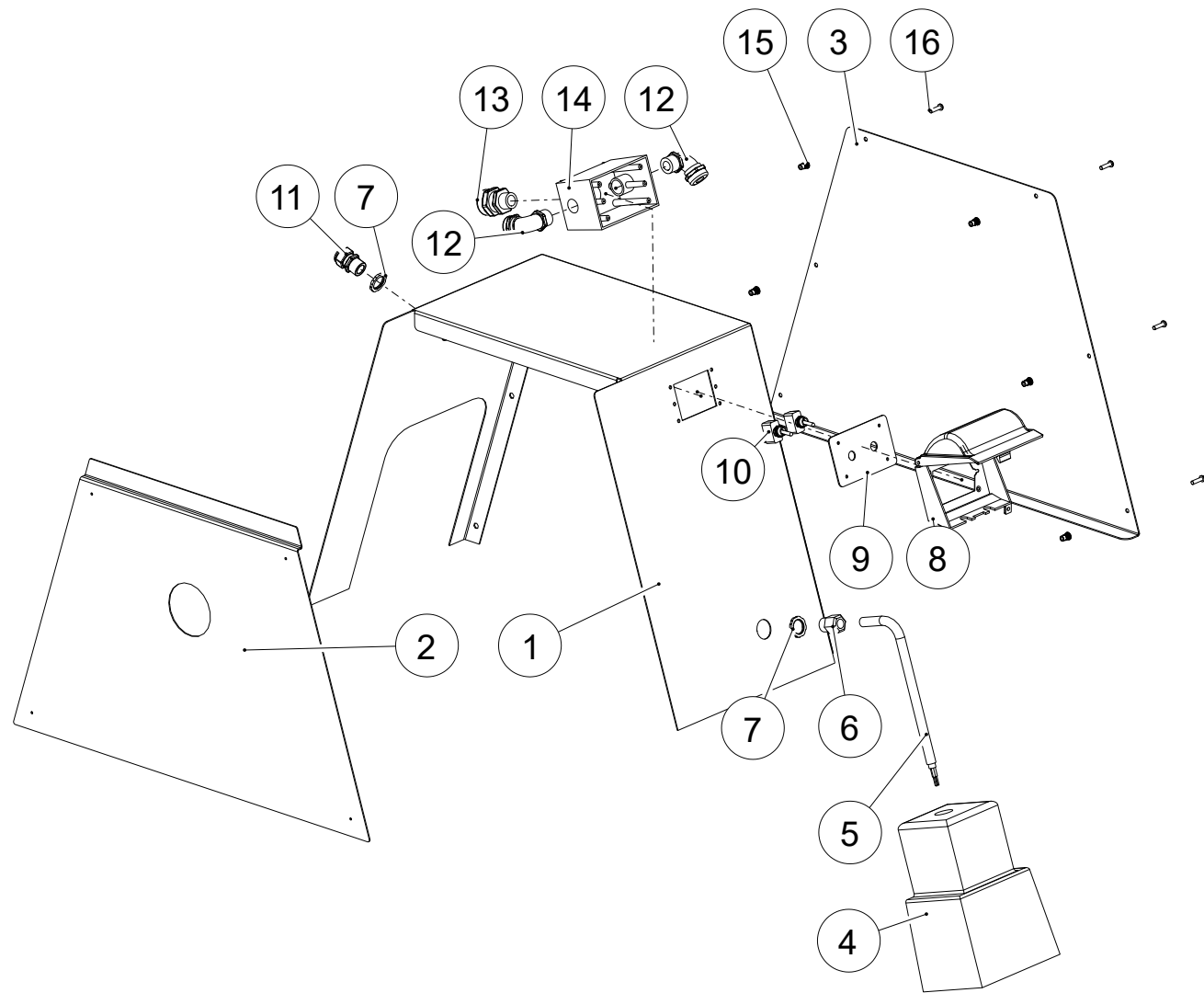
Hose Reel Assembly

Part No. 023-903814
Rev. 02 04-11-2023



**Central Mobile Enclosure
400 GTS Series
Shield Components**

S/N: 166500 -
S/N: 167015
PAGE: 3.1.3



Shield Components

Part No. 023-903814
Rev. 02 04-11-2023



**Central Mobile Enclosure
400 GTS Series
Shield Components**

S/N: 166500 -
S/N: 167015
PAGE: 3.1.4

Item No.	Part No.	Description	Qty.
	018-703244	PKG FOOT CONT HOSE REEL-II (Includes 4-7)	1
1	004-901903	SHLD MAIN HOSE REEL GTS300	1
2	004-703606	SHLD REAR MOD 2250-HR R03	1
3	004-703605	SHLD FRT ACS MOD 2250-HR	1
4	012-701568	SW FOOT MOD HR6000	1
5	002-702644	CABLE SJTOW 14/3 300V CSA	6 FT
6	002-700810	CONNECTOR STRN/RLF 1/2 .500-.562 CABLE RNG	1
7	002-701131	LOCKNUT 1/2 STL CONDUIT	2
8	002-703185 018-906946	COV ELEC WTHPRF HORIZ SGL GANG (OBSOLETE) PKG RETRO SW CVR HR 2250 (REPLACEMENT PACKAGE)	1
9	004-703562	PLT TGL SW MNT MOD 2250-HR	1
10	002-703616	SWITCH TGL SPST 20A 125V 1/4 SPADE TERM	2
11	002-704262	CONN STRN/RLF 1/2 .24-.47 CE/CSA	1
12	002-703566	CONNECTOR STRN/RLF 1/2X90DEG .500-.562 CABLE RNG	2
13	002-703567	CONNECTOR STRN/RLF 1/2 .625-.750 CABLE RNG	1
14	002-703596	BOX ELEC 2-5/8IN WTHPRF DIE-CAST AL 1/2IN HUB	1
15	001-704560	INSERT THD 10-24 RND BODY	6
16	001-701484	SCRW MACH 10-24X3/4 PANHEAD	6

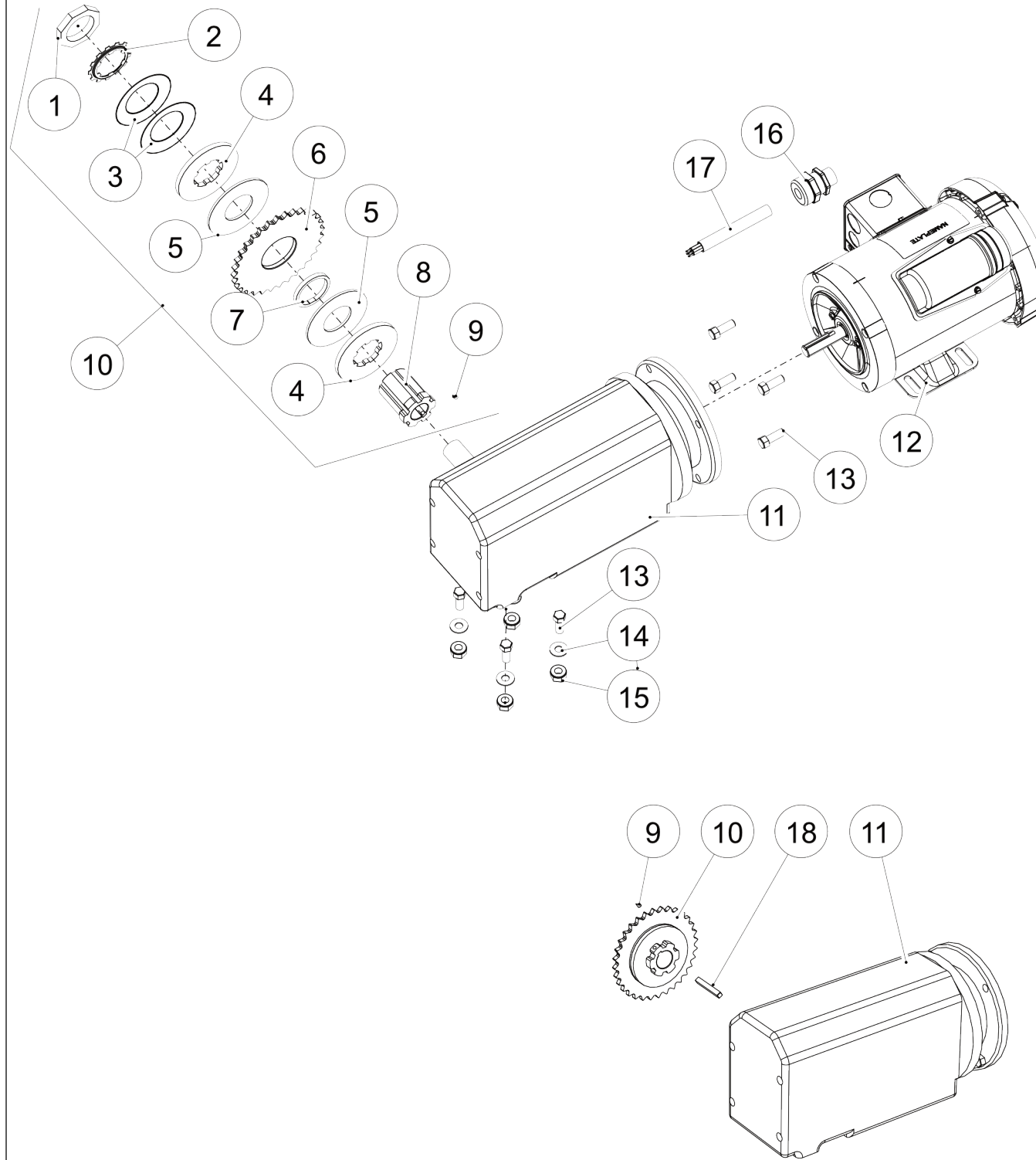
Shield Components

Part No. 023-903814
Rev. 02 04-11-2023



**Central Mobile Enclosure
400 GTS Series
Drive**

S/N: 166500 -
S/N: 167015
PAGE: 3.1.5



Drive

Part No. 023-903814
Rev. 02 04-11-2023



**Central Mobile Enclosure
400 GTS Series
Drive**

S/N: 166500 -
S/N: 167015
PAGE: 3.1.6

Item No.	Part No.	Description	Qty.
1	006-702374	NUT ADJ TRQ LMTR	1
2	006-702373	WSHR LOCK TRQ LMTR	1
3	017-702168	SPR DBL TRQ LMTR 60-190	2
4	006-702375	PRESSURE PLT TRQ LMTR	2
5	006-702377	DISC SET TRQ LMTR	2
6	017-702170	SPRKT 32T #40 CHAIN - MEETS TRQ LMTR SPEC	1
7	017-702169	BSHG TRQ LMTR	1
8	006-703978	HUB 1IN TRQ LMTR	1
9	006-702378	SCRW SET 1/4-20X1/4 TRQ LMTR	1
10	012-703570	TRQ LMTR ASSY 1 SHAFT DBL SPR 60-190 FTLB	1
11	012-704788	GEARBOX HLCL WORM 102:1 RT ANG 2.5IN L SHAFT	1
12	012-703488	MOTOR ELEC 3/4HP 115/208-230V 1725RPM TEFC	1
13	001-700804	BOLT 3/8X1 PLD GR5	8
14	001-700719	WSHR FLT 3/8 PLD	4
15	001-700721	NUT LKG NYL 3/8 UNC PLD	4
16	002-703567	CONNECTOR STRN/RLF 1/2 .625-.750 CABLE RNG	1
17	002-703561	CABLE SOW14/7 NPRN CABTIRE	1
18	004-703614	KEY 1/4X1/4 2L	1
		The following components may not be shown	
	006-903226	CAPACITOR 540-648UF 110/125VAC HR2250 3/4HP MOTOR	

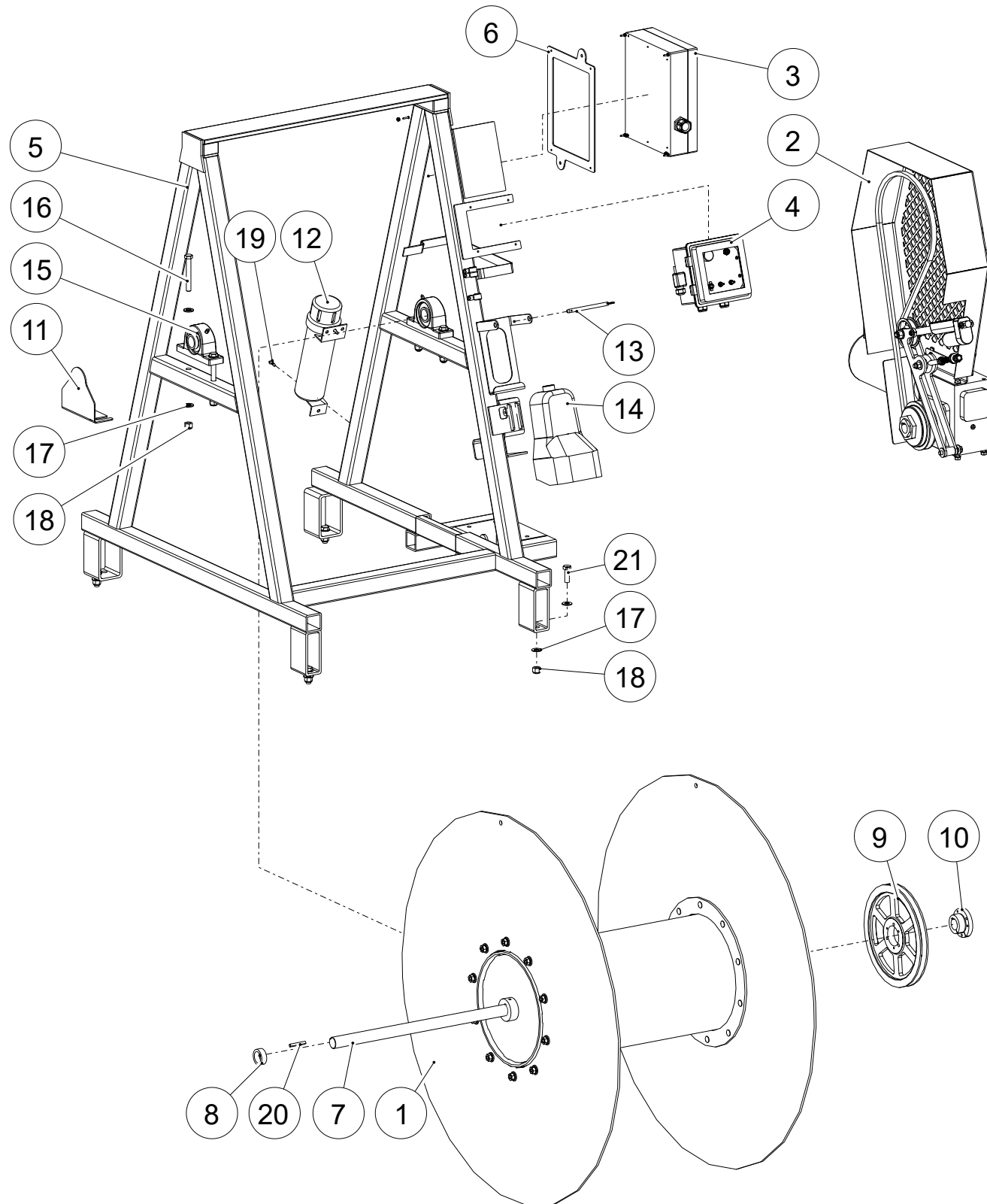
Drive

Part No. 023-903814
Rev. 02 04-11-2023



**Central Mobile Enclosure
400 GTS Series
Hose Reel Assembly**

S/N: 170101 -
S/N: Current
PAGE: 3.2.1



Hose Reel Assembly

Part No. 023-903814
Rev. 02 04-11-2023



**Central Mobile Enclosure
400 GTS Series
Hose Reel Assembly**

S/N: 170101 -
S/N: Current
PAGE: 3.2.2

Item No.	Part No.	Description	Qty.
1		SPOOL - see page 3.2.3	
2		DRIVE - see page 3.2.5	
3		CONTROL - see page 3.2.7	
4		SWITCH - see page 3.2.9	
5	004-902960	FRAME HRA 3000 MOD GTS300	1
6	004-902739	MNT MOTOR CNTRL HRA	1
7	004-901902	SHAFT CR 1-1/4X36L W-KEYWAY GTS300	1
8	004-902769	CDSM 1-3/4ODX.243W 5/8L	1
9	017-902621	PULLEY SDS 11.35 OD HUB	1
10	017-902583	BSHG QD 1-1/4 SDS	1
11	004-703607	SHLD SHAFT/BRG MOD 2250-HR	1
12	017-902972	CASE OPR MNL TUBULAR	1
13	001-902741	PIN QR 3/8X5-1/2L CW RING	1
14	002-902559	SWITCH FOOT 2NO-2NC PG16F THREAD	1
15	017-703610	BRG PLBLK 1-1/4 DUCTILE HSG	2
16	001-702159	BOLT 1/2X3-3/4 UNC PLD	4
17	001-700110	WSHR FLT 1/2 SAE PLD	16
18	001-701606	NUT LKG NYL 1/2 UNC PLD	8
19	001-700093	SCRW D/T 1/4-14X3/4 3/8HEX HD PLD	2
20	004-703614	KEY 1/4X1/4 2L	3
21	001-700473	BOLT 1/2X1-1/2 PLD GR5	4

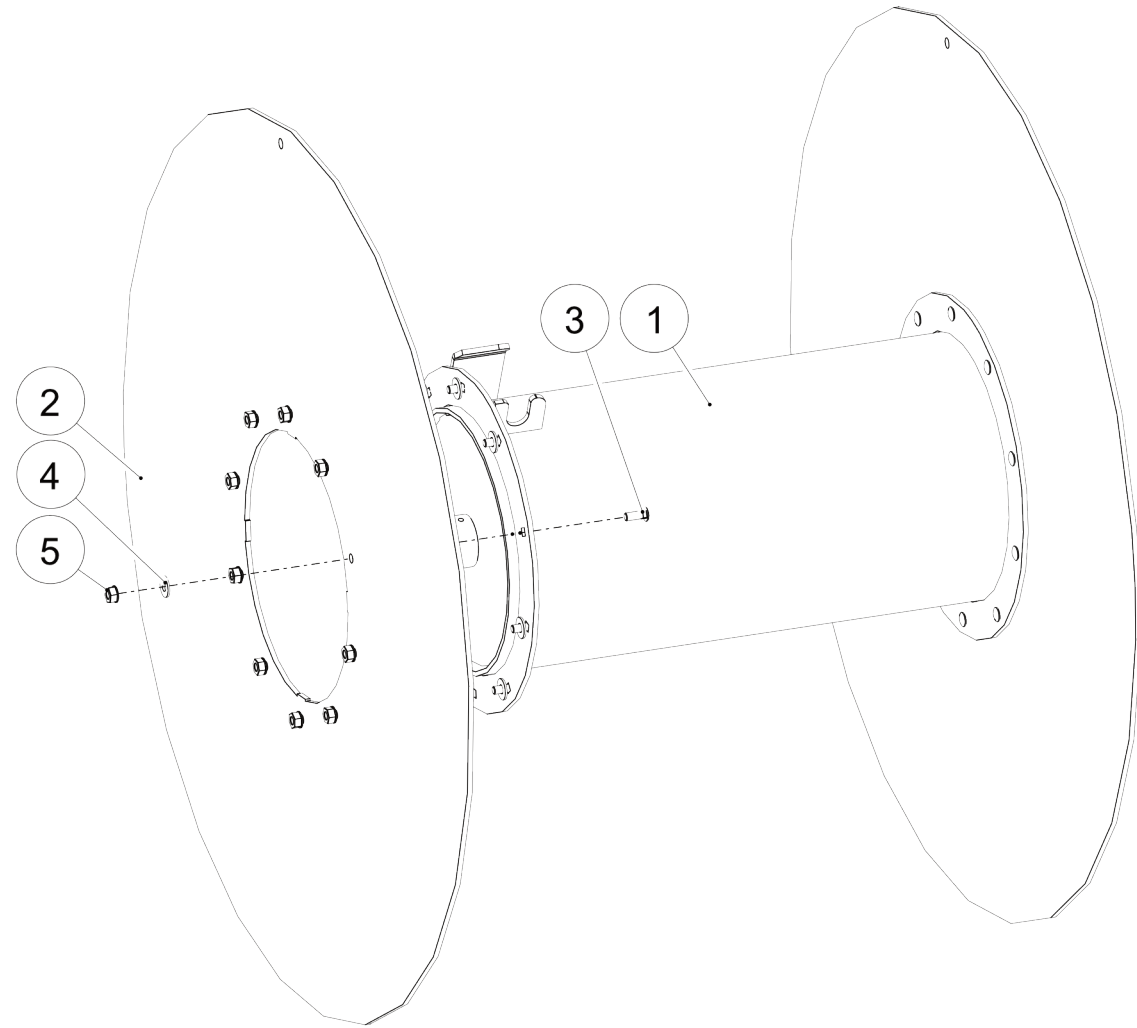
Hose Reel Assembly

Part No. 023-903814
Rev. 02 04-11-2023



Central Mobile Enclosure
400 GTS Series
Spool

S/N: 170101 -
S/N: Current
PAGE: 3.2.3



Spool

Part No. 023-903814
Rev. 02 04-11-2023



Central Mobile Enclosure
400 GTS Series
Spool

S/N: 170101 -
S/N: Current
PAGE: 3.2.4

Item No.	Part No.	Description	Qty.
1	004-902735	SPOOL HOSE REEL HRV3000/4000	1
2	004-902966	RING OUTER CW 10HOLES 43-1/2OD	2
3	001-704090	BOLT CRG 3/8-16X1 UNC PLD	20
4	001-700719	WSHR FLT 3/8 PLD	20
5	001-700721	NUT LKG NYL 3/8 UNC PLD	20

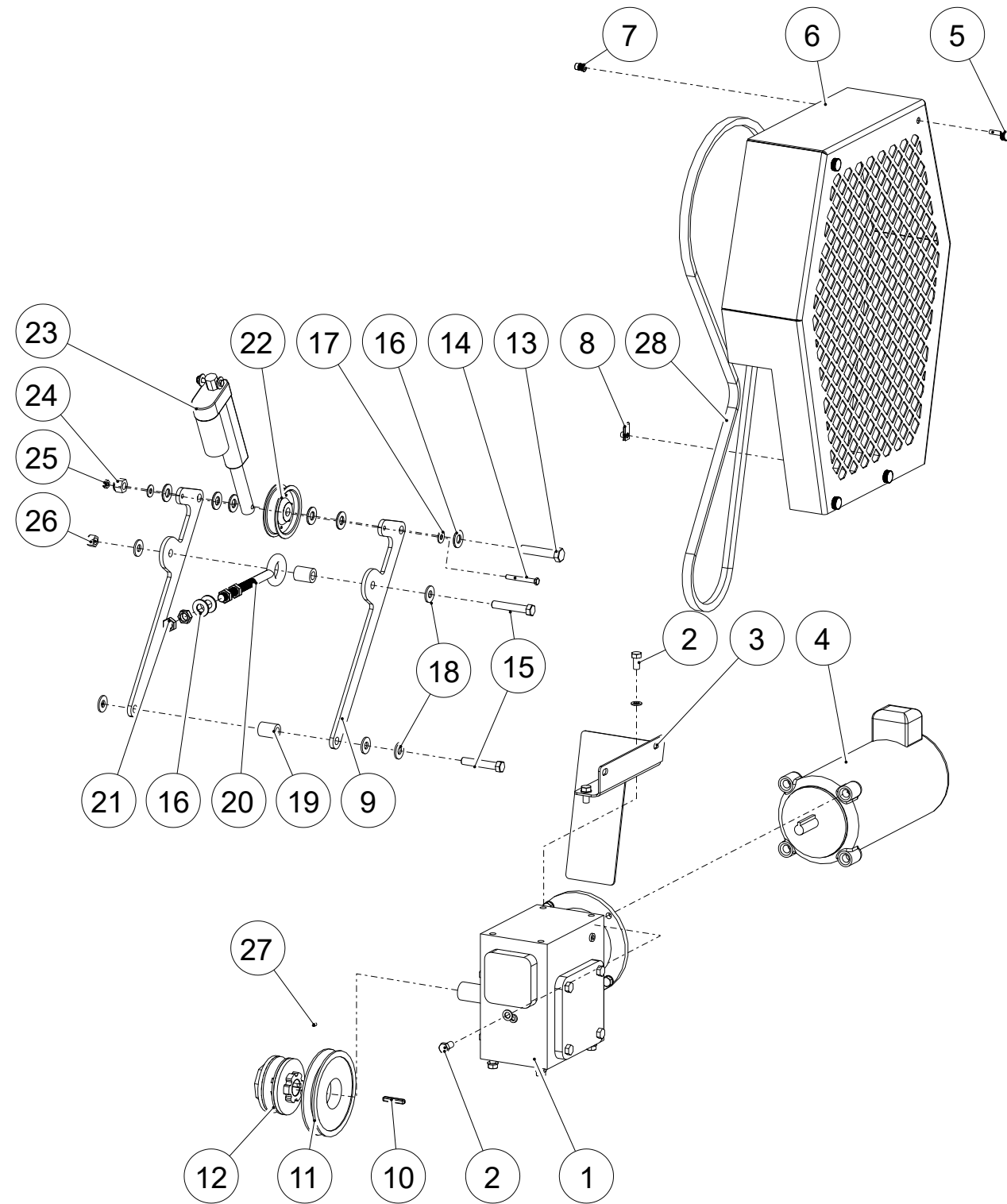
Spool

Part No. 023-903814
Rev. 02 04-11-2023



**Central Mobile Enclosure
400 GTS Series
Drive**

S/N: 170101 -
S/N: Current
PAGE: 3.2.5



Drive

Part No. 023-903814
Rev. 02 04-11-2023



**Central Mobile Enclosure
400 GTS Series
Drive**

S/N: 170101 -
S/N: Current
PAGE: 3.2.6

Item No.	Part No.	Description	Qty.
1	012-902555	GEARBOX HLCL WORM RTANG 60:1 56C.75HP IRONHORSE	1
2	001-700434	BOLT 3/8X3/4 PLD GR5	6
3	004-902738	GUARD BELT LOWER HRA	1
4	012-902602	MOTOR DC 90V 1HP 56C	1
5	001-902717	BOLT 1/4X7/8 UNC KNURL PLSTC HD	4
6	004-902759	PNL BELT GUARD UPPER HRA	1
7	001-703408	INSERT THD 1/4 UNC RND BODY .027-.165 GRP	2
8	001-902760	NUT CLP 1/4X20	2
9	004-902743	ARM PIVOT HRA	2
10	004-906426	KEY 1/4X1/4 1-1/2L	1
11	017-902864	PULLEY B BELT 5.35 ODX1.90625ID	1
12	017-902565	TRQ LMTR 1-1/8 SHAFT SGL SPR 50-10 FT LB	1
13	001-700475	BOLT 1/2X2-1/2 PLD GR5	1
14	001-700955	BOLT 1/4X2 PLD GR5	1
15	001-700469	BOLT 7/16X2-1/2 PLD GR5	2
16	001-700110	WSHR FLT 1/2 SAE PLD	8
17	001-700129	WSHR FLT 1/4 PLD	2
18	001-700719	WSHR FLT 3/8 PLD	6
19	004-902740	DOM .875OD X.500ID 1-1/8L PNTD BLK	2
20	001-902566	BOLT EYE 1/2X4X1IN OPEN 8L UNC	1
21	001-703313	NUT JAM 1/2 UNC PLD	4
22	017-902603	PULLEY B BELT 3.25 OD INT BRG FLT-IDLER	1
23	005-902560	LINAC 3IN STROKE 150LBS 12VDC	1
24	001-701606	NUT LKG NYL 1/2 UNC PLD	1
25	001-700042	NUT LKG NYL 1/4 UNC PLD	1
26	001-701716	NUT LKG NYL 7/16	1
27	006-702378	SCRW SET 1/4-20X1/4 TRQ LMTR	1
28	012-902742	BELT B71 HRA 6000	1
		The following components may not be shown	
	006-906553	DISC SET 1-1/8IN TRQ LMTR	

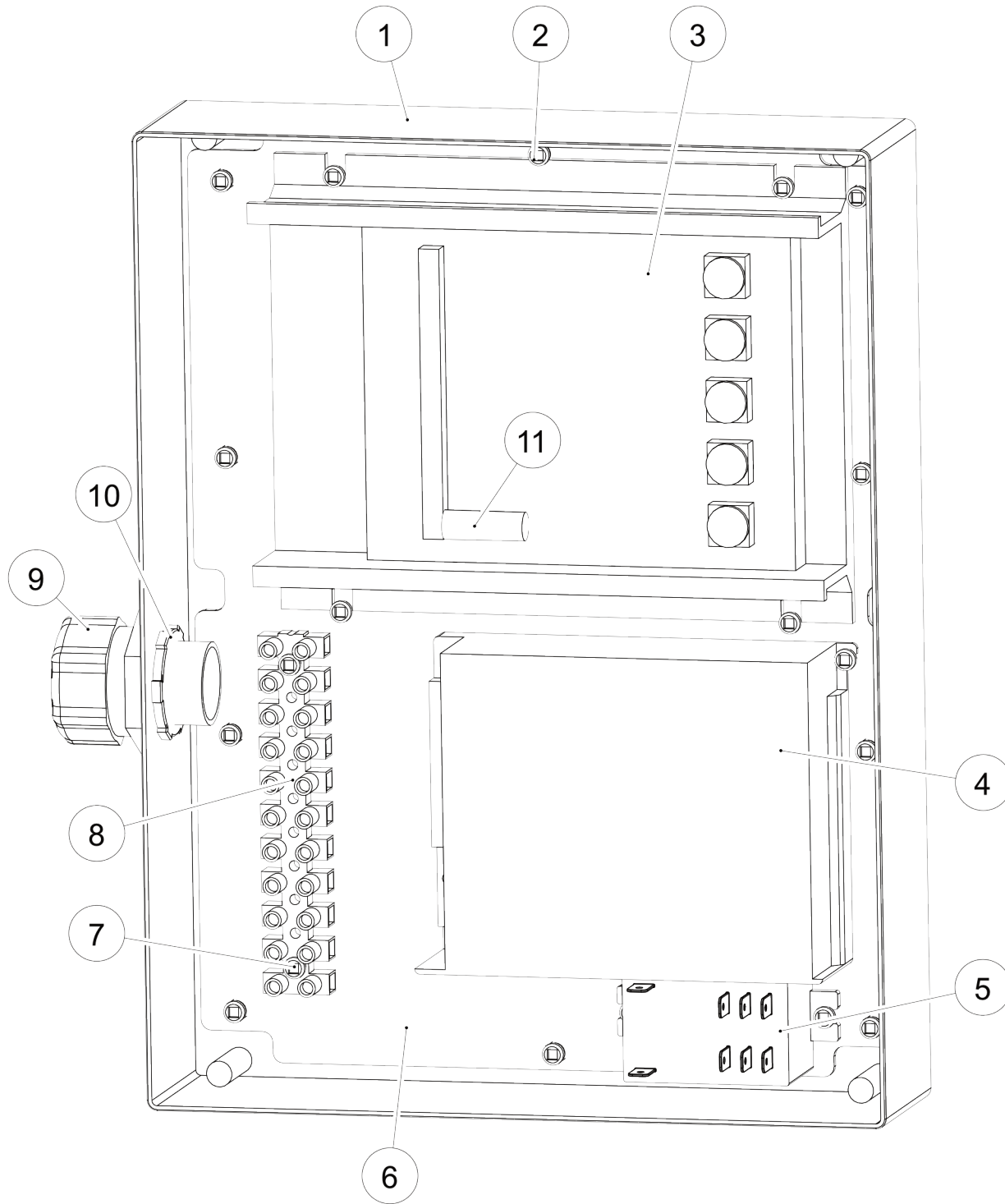
Drive

Part No. 023-903814
Rev. 02 04-11-2023



**Central Mobile Enclosure
400 GTS Series
Control HRA**

S/N: 170101 -
S/N: Current
PAGE: 3.2.7



Control HRA

Part No. 023-903814
Rev. 02 04-11-2023



**Central Mobile Enclosure
400 GTS Series
Control HRA**

S/N: 170101 -
S/N: Current
PAGE: 3.2.8

Item No.	Part No.	Description	Qty.
1	002-902562	ENC ELEC 11.75X9X3.5 POLYCARB	1
2	001-900608	SCRW SH MET #6X3/8 PAN HD SQ DR ZINC	18
3	005-902557	MOTOR CONTROLLER 90VDC IRONHORSE	1
4	002-902561	XFMR 120VAC-12VDC 72VA OUTPUT	1
5	002-902606	RELAY 12VDC DPDT FINDER SOLID-STATE	1
6	004-902624	PLT BKG ELEC BOX 11.75X9	1
7	001-702953	SCRW SH MET #6X3/4 PAN HD	2
8	002-702013	TERM STRIP-12POLE	1
9	002-902609	CONN STR-RLF 3/4 FOR 1/2 TEK CABLE	1
10	002-701133	LOCKNUT 3/4 STL CONDUIT	1
11	006-904745	FUSE ABC-15 SLO-BURN	1

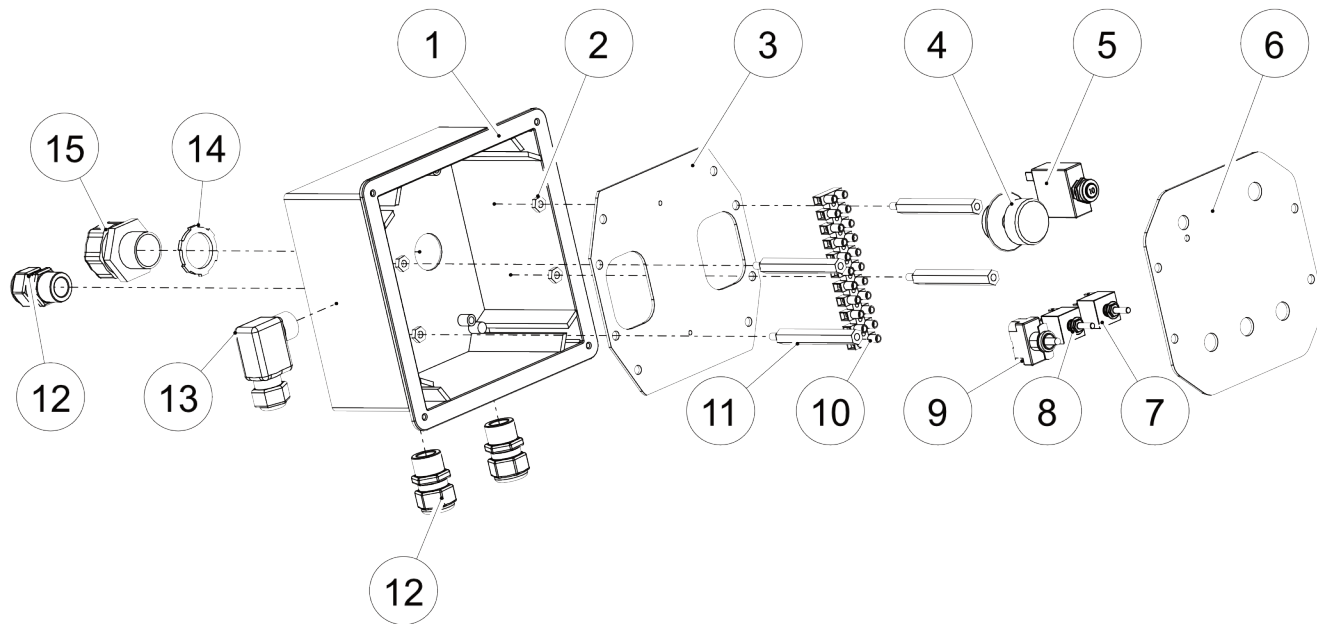
Control HRA

Part No. 023-903814
Rev. 02 04-11-2023



**Central Mobile Enclosure
400 GTS Series
Switch HRA**

S/N: 170101 -
S/N: Current
PAGE: 3.2.9



Switch HRA

Part No. 023-903814
Rev. 02 04-11-2023



**Central Mobile Enclosure
400 GTS Series
Switch HRA**

S/N: 170101 -
S/N: Current
PAGE: 3.2.10

Item No.	Part No.	Description	Qty.
1	002-901427	ENC 6X6 POLY CW WINDOW	1
2	001-703107	NUT MSCR #10-32 HEX PLD	4
3	004-902581	PLT BKG ELEC BOX 5-1/4IN SQ	1
4	006-702384	PKG POTENTIOMETER S9111	1
5	002-902617	BRKR CKT 10A PUSH TO RESET	1
6	004-902614	FPLT HRA ELEC	1
7	002-902615	SW DPDT MOM ON-OFF-MOM ON SCRW TERM	1
8	002-904746	SW 20A DPDT ON-ON	1
9	002-701359	SW TGL SPST 20A 125V SCRW TERM	1
10	002-702013	TERM STRIP-12POLE	1
11	001-902648	STANDOFF #10-32 MXF 3IN L BODY	4
12	002-704262	CONN STRN/RLF 1/2 .24-.47 CE/CSA	3
13	002-704247	CONNECTOR 1/2 90DEG FLEX NYL	1
14	002-701133	LOCKNUT 3/4 STL CONDUIT	1
15	002-902609	CONN STR-RLF 3/4 FOR 1/2 TEK CABLE	1
		The following components may not be shown	
	001-702161	WSHR LOCK #10 PLD	4
	001-702953	SCRW SH MET #6X3/4 PAN HD	2
	001-704572	SCRW MACH 10-32x3/8 SS UNF BTN HD 1/8HEX DR	4

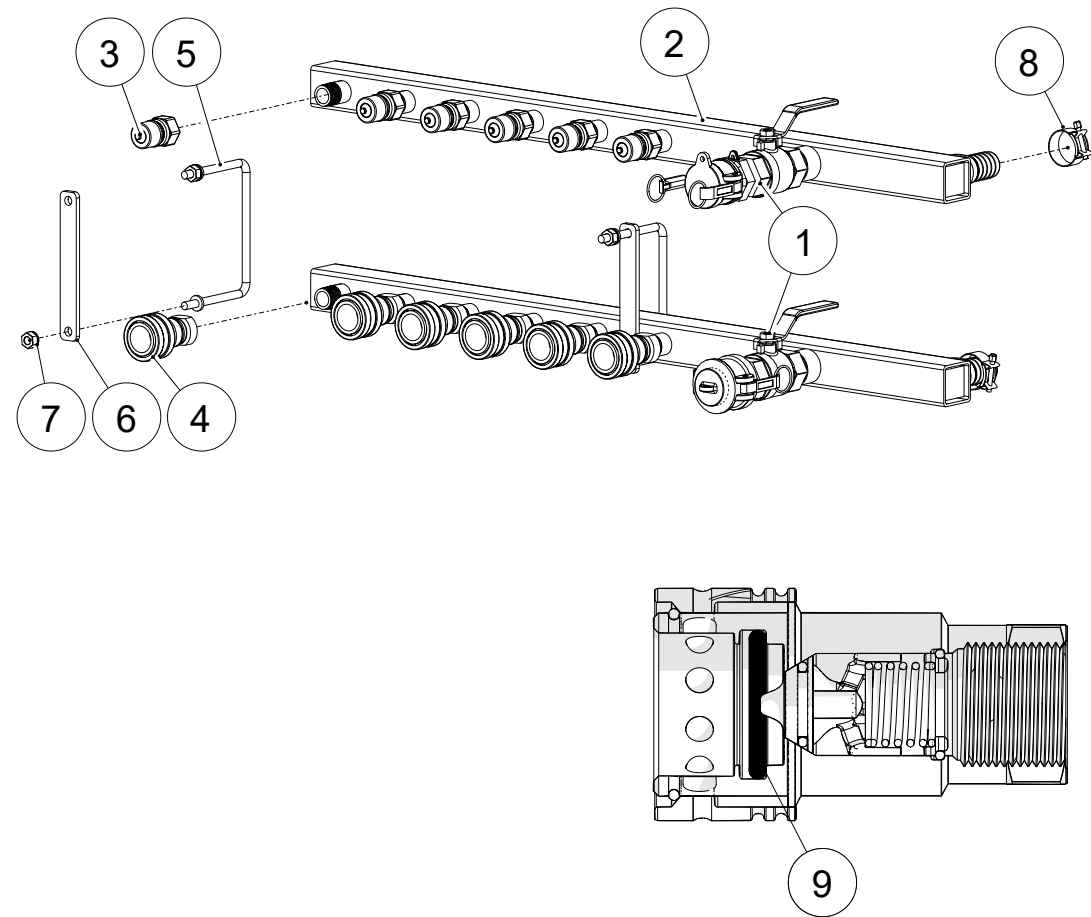
Switch HRA

Part No. 023-903814
Rev. 02 04-11-2023



Central Mobile Enclosure
400 GTS Series
Manifold

S/N: 166500 -
S/N: Current
PAGE: 4.1.1



Manifold

Part No. 023-903814
Rev. 02 04-11-2023



Central Mobile Enclosure
400 GTS Series
Manifold

S/N: 166500 -
S/N: Current
PAGE: 4.1.2

Item No.	Part No.	Description	Qty.
1		KAMLOCKS - see page 5.1.1	
2	004-902980	MANF BODY WELDMENT GTS300	2
3	011-701517	QC NIPL 3/4 BRS NPTF	6
4	011-701518	QC CPLR 3/4 BRS NPTF	6
5	001-903752	U-BOLT SQ 3/8X6X4-5/8 UNC PLD CW NUTS/WSHRS	2
6	004-903761	BAR FLAT 1/4X1 7-1/4L CW HOLES	2
7	001-700721	NUT LKG NYL 3/8 UNC PLD	4
8	001-704669	CLP HOSE HEAVY DUTY 1.57-1.69 RNG (40-43mm)	2
9A	006-702958	O-RING 3/4IN QC CPLR (.101)	1
9B	006-704311	O-RING 3/4IN QC CPLR (.141)	1

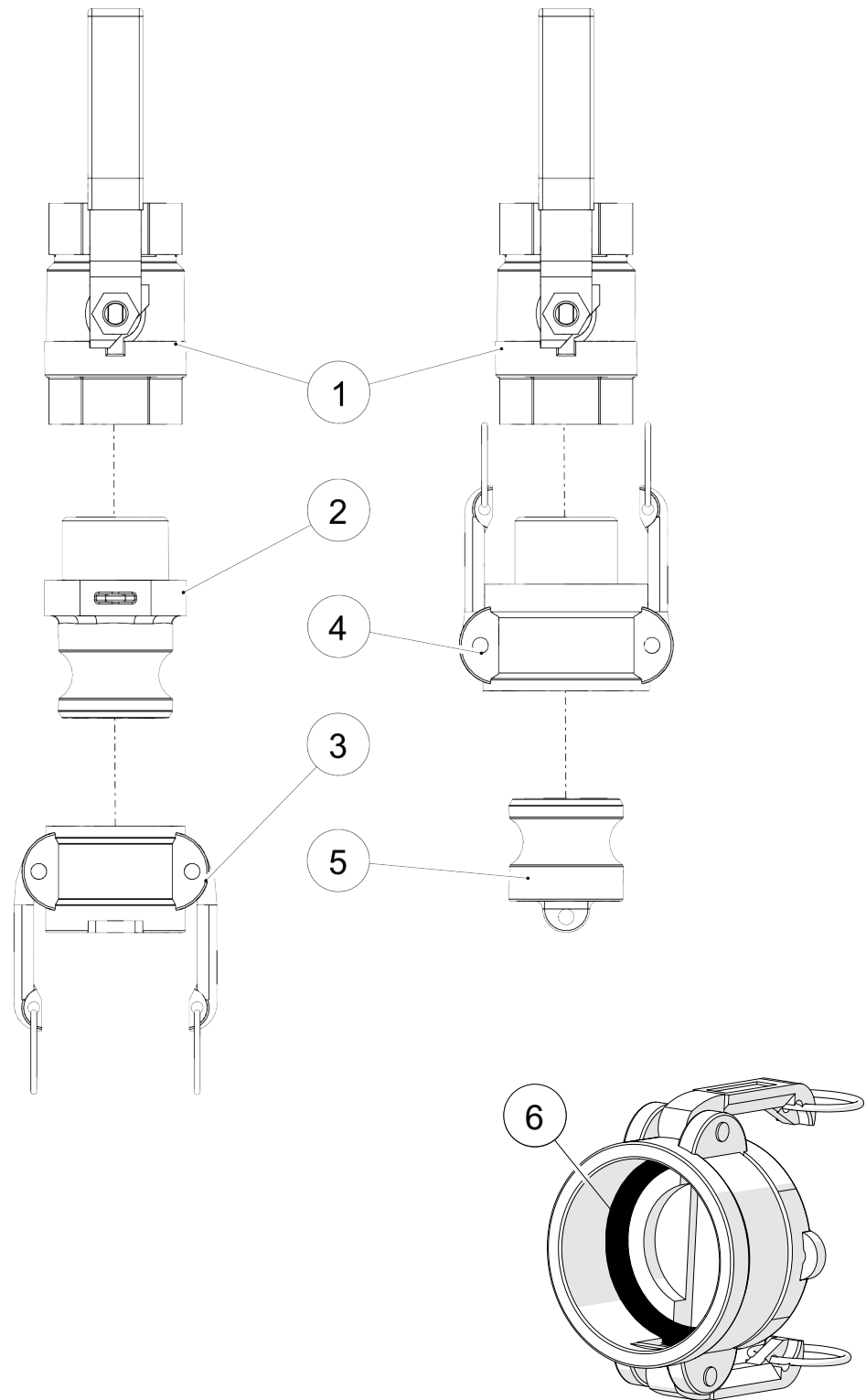
Manifold

Part No. 023-903814
Rev. 02 04-11-2023



Central Mobile Enclosure
400 GTS Series
Kamlocks

S/N: 166500 -
S/N: Current
PAGE: 5.1.1



Kamlocks

Part No. 023-903814
Rev. 02 04-11-2023



Central Mobile Enclosure
400 GTS Series
Kamlocks

S/N: 166500 -
S/N: Current
PAGE: 5.1.2

Item No.	Part No.	Description	Qty.
1	011-700178	VLV BALL 1-1/4 400WOG FL PT BRS CGA NPTF	2
2	011-702496	KMLCK 1-1/4 ADPTR MALE AL NPT PART F	1
3	011-702498	KMLCK 1-1/4 DUST CAP AL PART DC	1
4	011-702497	KMLCK 1-1/4 CPLR FEM AL MALE NPT PART B	1
5	011-702499	KMLCK 1-1/4 DUST PLUG AL PART DP	1
6A	006-900824	GSKT 1-1/4IN KMLCK CPLR SILICONE RBR	1
6B	006-702964	GSKT 1-1/4IN KMLCK CPLR THICK	1

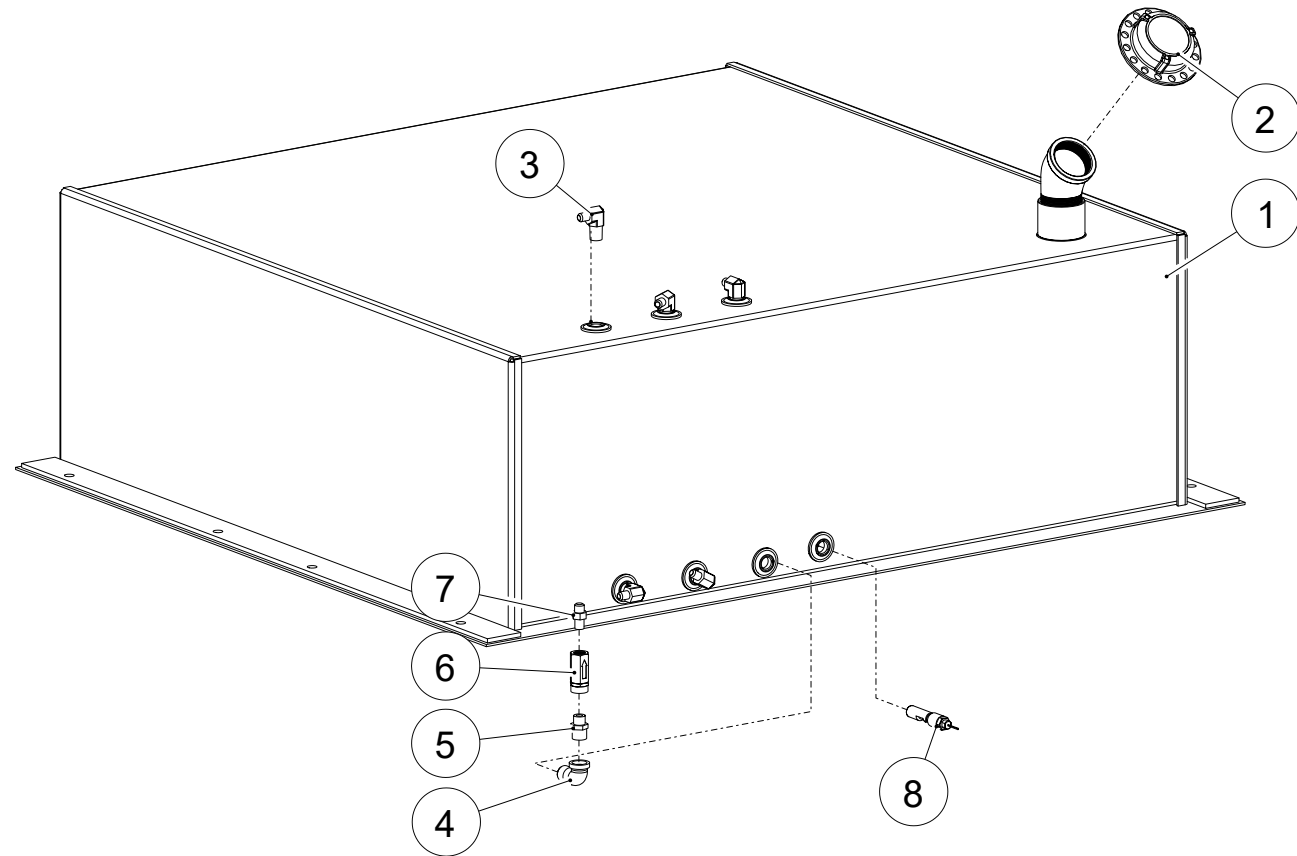
Kamlocks

Part No. 023-903814
Rev. 02 04-11-2023



Central Mobile Enclosure
400 GTS Series
Fuel Tank

S/N: 166500 -
S/N: Current
PAGE: 6.1.1



Fuel Tank

Part No. 023-903814
Rev. 02 04-11-2023



Central Mobile Enclosure
400 GTS Series
Fuel Tank

S/N: 166500 -
S/N: Current
PAGE: 6.1.2

Item No.	Part No.	Description	Qty.
1	004-905165	TANK FUEL WELDMENT 400GTS	1
2	011-703500	CAP 2IN MPT NON-SPILL PRESS/VAC RLF GALV	1
3	011-900602	ADPTR 90ELB 3/8MJIC 37X1/2 MPT STL	5
4	011-703048	ELB ST 1/2X90DEG BRS NPT	1
5	011-901963	NIPL HEX RDCG 1/2MNPTX3/8MNPT BRS	1
6	011-904006	VLV CHECK 3/8 NPT FEM BRS FUEL .5PSI OPEN PRESS	1
7	011-900819	ADPTR 3/8NPT X #6JIC MALE	1
8	002-702012	SW-FLOAT FSH-31	1

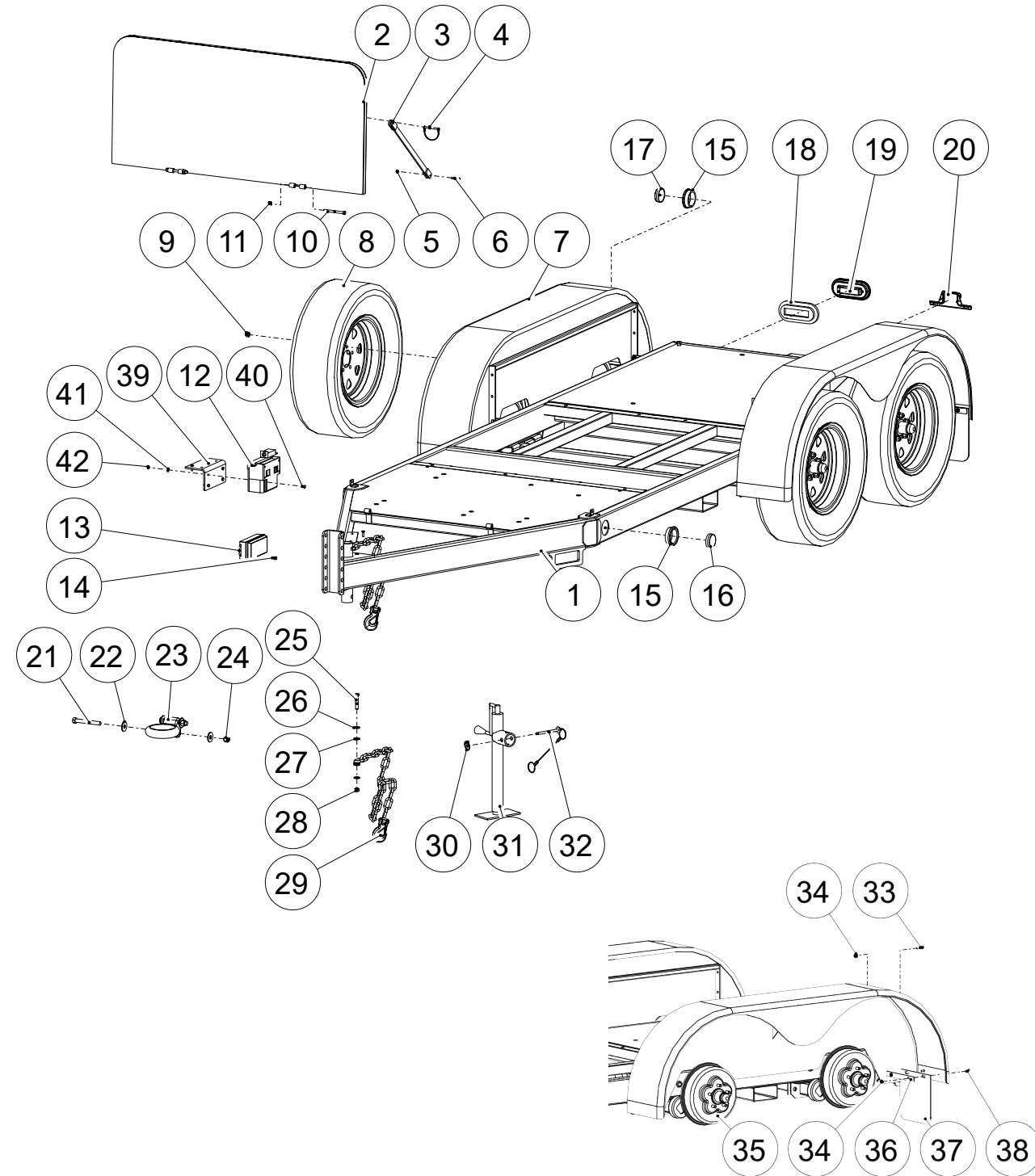
Fuel Tank

Part No. 023-903814
Rev. 02 04-11-2023



**Central Mobile Enclosure
400 GTS Series
Trailer**

S/N: 166500 -
S/N: Current
PAGE: 7.1.1



Trailer

Part No. 023-903814
Rev. 02 04-11-2023



**Central Mobile Enclosure
400 GTS Series
Trailer**


S/N: 166500 -
S/N: Current
PAGE: 7.1.2

Item No.	Part No.	Description	Qty.
1	004-902867	FRAME TRLR 300GTS CW CASTER TUBE	1
2	004-902165	STONE GUARD 300-400GTS TLR	1
3	004-902171	SUPPORT STONE GUARD GTS 300 TLR	2
4	001-703287	PIN QUICK 1/4X2-1/2 RND LOOP	2
5	001-700042	NUT LKG NYL 1/4 UNC PLD	2
6	001-700956	BOLT 1/4X1-1/2 PLD GR5	2
7	018-703352	FEN ASSY TR6000-2 TRLR	2
8	004-901823	WHEEL ASSY ST225-75R15 5BLT ON 4.5IN LR-E	4
9	001-703962	NUT WHEEL 1/2 UNF	20
10	001-701765	BOLT 3/8X4 PLD GR5	2
11	001-700721	NUT LKG NYL 3/8 UNC PLD	2
12	004-701984	BREAKAWAY PKG	1
13	002-901215	BOX JUNCTION TRLR ELEC 7 POLE	1
14	001-700435	SCRW D/T 1/4-14X1 3/8HEX HD PLD	2
15	002-703321	GROM LAMP 2-1/2 INCH	4
16	002-701958	LIGHT AMBER CLEARANCE	2
17	002-701959	LIGHT RED CLEARANCE	2
18	002-903033	GROM LAMP 6IN OVAL	2
19	002-903032	LIGHT TAIL OVAL 6IN LED	2
20	002-701961	LIGHT LICENSE PLT	1
21	001-702203	BOLT 5/8X5 UNC PLD GR5	2
22	001-703306	WSHR FLAT 5/8 PLT PLD	4
23	004-701955	LUNETTE EYE 3 INCH	1
24	001-700950	NUT LKG NYL 5/8 UNC PLD	2
25	001-700475	BOLT 1/2X2-1/2 PLD GR5	2
26	001-901106	WSHR FLT 1/2 GR8 PLD	4
27	001-700100	WSHR FLT 1/2 PLT PLD	10
28	001-901106	WSHR FLT 1/2 GR8 PLD	2
29	012-901107	CHAIN SAF 3/8X35 CW LATCH-HOOK 1/2IN LINK	2
30	001-703320	PIN LYNCH 3/16X1-1/4 1IN RING	1
31	012-703003	JACK TOPWIND 5000LB 10IN LIFT	1
32	006-702301	JACK LOCK WIRE ASSY	1
33	001-700960	BOLT 3/8X1-1/4 PLD GR5	8
34	001-700721	NUT LKG NYL 3/8 UNC PLD	12
35	004-902277	AXLE #10 TORFLEX 0DEG 3500LB	2
36	004-703336	PLT MUD GD MNT TR6000-2	2
37	004-703335	MUD GD 10X10	2
38	001-703307	BOLT CRG 5/16X3/4 UNC PLD GR5	4
39	010-702025	BRKT BRKAWY SYS	1
40	001-703316	BOLT 1/4X7/8 PLD GR5	7
41	001-700129	WSHR FLT 1/4 PLD	7
42	001-700042	NUT LKG NYL 1/4 UNC PLD	7














Contact Dryair Parts Dept. for Diamond Plated Fenders

Trailer

Part No. 023-903814
Rev. 02 04-11-2023

		Central Mobile Enclosure 400 GTS Series Hoses and Fuel Lines	S/N: 166500 - S/N: Current PAGE: 8.1.1
Item No.	Part No.	Description	Qty.
1	018-901991	ASSY HOSE FLUSH DRAIN CHARGE	1
2	018-901993	ASSY HOSE SUCTION	1
		AIR PREHEATER TO BURNER	
3	013-901260	HOSE FLEX DUCTING 4IN (3600102)	7 FT
		DANFOSS TO AIR PREHEATER	
4	013-702633	HOSE 3/8 RED	5 FT
		AIR PREHEATER TO HE RETURN	
5	013-702633	HOSE 3/8 RED	4 FT
		PUMP OUTPUT TO FUEL PREHEATER DANFOSS	
6	013-702633	HOSE 3/8 RED	3 FT
		FUEL PREHEATER TO HE RETURN	
7	013-702633	HOSE 3/8 RED	5 FT
		PUMP OUTPUT DANFOSS TO HE RETURN	
8	013-702634	HOSE 1/2 RED	6 FT
		PRESSURE RELIEF VALVE TO HE RETURN	
9	013-702634	HOSE 1/2 RED	5 FT
		GLYCOL TANK TO OVERFLOW	
10	013-702634	HOSE 1/2 RED	7 FT
		GLYCOL TANK TO HE	
11	013-702634	HOSE 1/2 RED	1 1/2 FT
		GLYCOL TANK TO UPPER GLYCOL LEVEL	
12	013-702634	HOSE 1/2 RED	1 FT
		GLYCOL TANK TO LOWER GLYCOL LEVEL	
13	013-702634	HOSE 1/2 RED	1 FT
		HE RETURN TO GLYCOL PREHEATER	
14	013-701100	HOSE 1 EXPLORER AIR 50FT LN	5 FT
		GLYCOL PREHEATER TO HE PRE HEATER INLET	
15	013-701100	HOSE 1 EXPLORER AIR 50FT LN	2 FT
		HE SUPPLY TO PUMP INPUT	
16	013-700063	HOSE 1-1/4 VERSIFLO SUCT CW WIRE HLX	1 FT
		PUMP OUTPUT TO FLOW REVERSER	
17	013-700063	HOSE 1-1/4 VERSIFLO SUCT CW WIRE HLX	4 FT
		FLOW REVERSER TO HE RETURN	
18	013-700063	HOSE 1-1/4 VERSIFLO SUCT CW WIRE HLX	2 1/2 FT
		FUEL LINES	
19	004-704661	FUEL LINE 1/4X10IN #6/#4JICF 37DEG STR SWVL	1
20	004-902875	FUEL LINE 3/8X10-5/8IN #6JICF SWVL ENDS	1
21	004-902876	FUEL LINE 3/8X16-5/8IN #6JICF SWVL ENDS	1
22	004-902877	FUEL LINE 1/4X14IN #6JICF SWVL ENDS	1
23	004-902878	FUEL LINE 1/4X26IN #6JICF SWVL ENDS	1
24A	004-902878	FUEL LINE 1/4X26IN #6JICF SWVL ENDS (SN: 166500 - 173215)	1
24B	004-903168	FUEL LINE 3/8X60IN STR/90DEG #6JIC FEM SWVL ENDS (SN: 173601 - Current)	1
25	004-903169	FUEL LINE 3/8X83IN STR/90DEG #6JIC FEM SWVL ENDS	1
26	004-903534	FUEL LINE 3/8X43IN #6JIC FEM SWVL ENDS	1

Hoses and Fuel Lines

		Central Mobile Enclosure 400 GTS Series Decals	S/N: 166500 - S/N: Current PAGE: 9.1.1
1A		3A	
1B		3B	
2			
4A		6A	
4B		6B	
5		7	
8A		10	
8B		11	
9			
Item No.	Part No.	Description	Qty.
1A	003-700732	DECAL DRYAIR 16X2.68 05 BLUE VINYL R1	2
1B	003-906401	DECAL DRYAIR 16X2.48	2
2	003-700733	DECAL DRYAIR 16X2.68 WHITE VINYL R1	2
3A	003-905788	DECAL WWW.DRYAIR.CA 15X1.77 BLUE	2
3B	003-906392	DECAL WWW.DRYAIR.CA 15X1.77 NEW BLUE	2
4A	003-903531	DECAL 400GTS 14X2.7	2
4B	003-906400	DECAL 400GTS 14L	2
5	003-903720	DECAL 400GTS 14X2.7 WHT	2
6A	003-902022	DECAL GREENTHAW 44X7.5	1
6B	003-906359	DECAL GREENTHAW 44X8.625	1
7	003-902447	DECAL GREENTHAW 44X7.5 WHT	1
8A	003-903528	DECAL GREENTHAW 27X4-5/8	2
8B	003-906399	DECAL GREENTHAW 27X5.25	2
9	003-903721	DECAL GREENTHAW 27X4-5/8 WHT	2
10	003-906735	DECAL QR OP MAN 400 GTS	1
11	003-906859	DECAL QR VIDEOS 400GTS	1

Decals



**Central Mobile Enclosure
400 GTS Series
Decals**

S/N: 166500 -
S/N: Current
PAGE: 9.1.2

Item No.	Part No.	Description	Qty.
1	003-903541	DECAL ELEC SCHEM 400GTS	1
2A	003-903497	DECAL L FACEPLATE CTRL PNL 400GTS	1
2B	003-906377	DECAL FACEPLATE CNTRL PNL 400GTS	1
3A	003-903498	DECAL C FACEPLATE CTRL PNL 400GTS	1
3B	003-906378	DECAL CNTR FPLATE CNTRL PNL 400GTS	1
4A	003-903499	DECAL R FACEPLATE CTRL PNL 400GTS	1
4B	003-906379	DECAL RGHT FPLATE CNTRL PNL 400GTS	1
5A	003-903496	DECAL GAUGE PNL 400GTS	1
5B	003-906376	DECAL GAUGE PNL 400GTS NEW BLUE	1
6A	003-902232	DECAL TROUBLESHOOTING GTS300 STD	1
6B	003-902768	DECAL TROUBLESHOOTING GTS300 STD FRENCH	1
7	003-903284	DECAL STARTUP 400GTS	1
8	003-906384	DECAL GLYCOL SAFETY	1



**Central Mobile Enclosure
400 GTS Series
Decals**

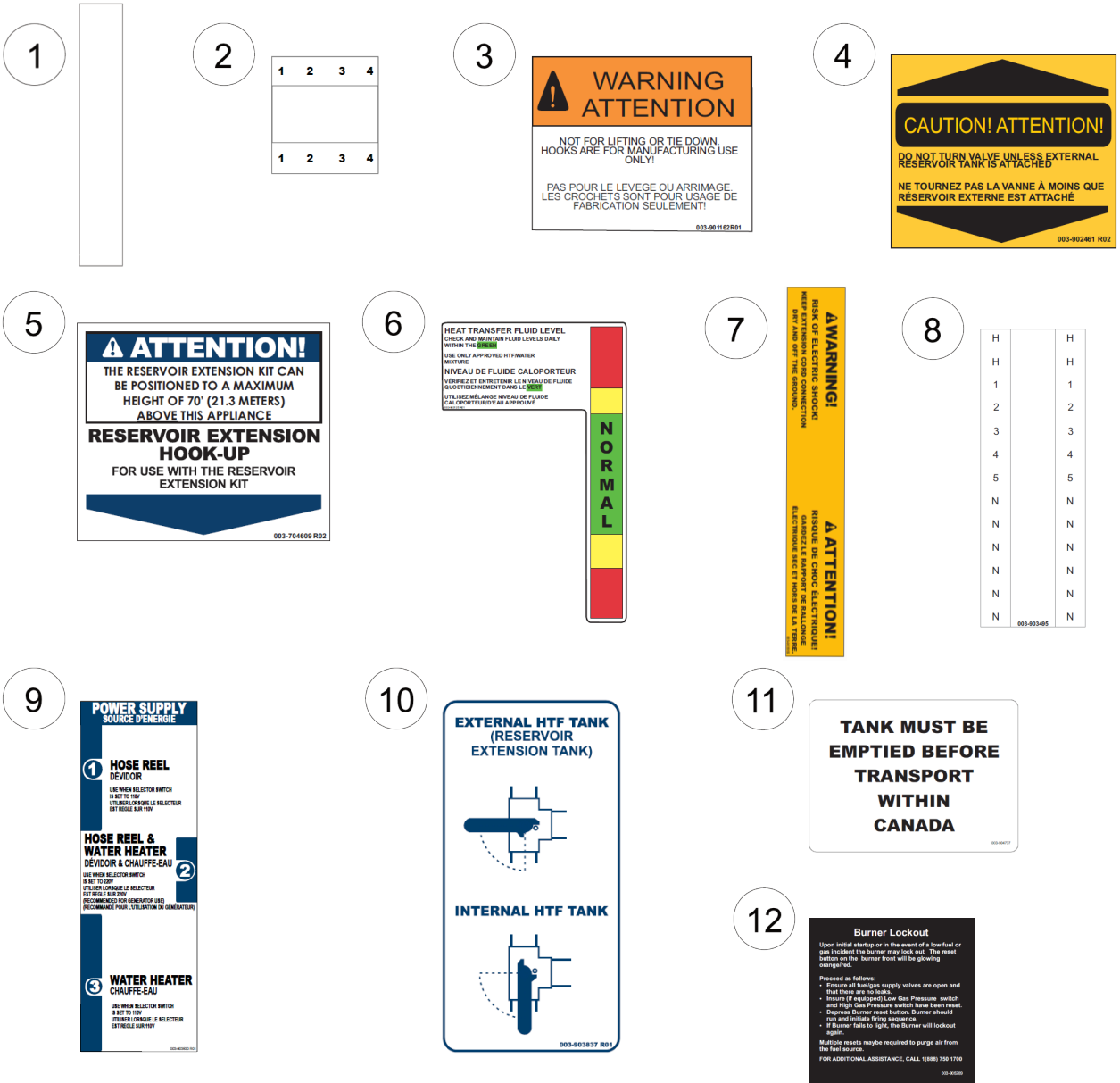
S/N: 166500 -
S/N: Current
PAGE: 9.1.3

Item No.	Part No.	Description	Qty.
1	003-700159	DECAL SAFETY FIRST	2
2	003-900455	DECAL DSL FUEL ONLY 4.5X2.5	1
3	003-701524	DECAL CAUTION GLY SHUT VLV	1
4	003-903279	DECAL HOSE REEL MAX LOOP LENGTH	1
5	003-701456	DECAL VENT/OVERFLOW	1
6	003-900454	DECAL NON-PRESS-VESSEL 4X4.5	1
7	003-703323	DECAL MADE IN CANADA 1.5x3	1
8	003-702430	DECAL FUEL/WATER FLTR MOD 2100	1
9	003-903278	DECAL FLOW REV DO NOT ADJ	1
10	003-702729	DECAL FUEL PRESS ARROW MOD 2100	1
11	003-700172	DECAL DO NOT ADJ	6
12	003-902460	DECAL GEN FUEL CONNECTIONS	1
13	003-906823	DECAL GND SYMBOL	1
14	003-906839	DECAL ATTN BNR COVER INSTALLED FRENCH ONLY	1
15	003-906842	DECAL DIESEL 2-1/2X1	2



**Central Mobile Enclosure
400 GTS Series
Decals**

S/N: 166500 -
S/N: Current
PAGE: 9.1.4



Item No.	Part No.	Description	Qty.
1	003-702653	DECAL DIFFUSION TAPE 1IN X 6IN	1
2	003-702656	DECAL VINYL XTERM 1-4 R01	1
3	003-901162	DECAL NOT FOR LIFTING OR TIE DOWN	4
4	003-902461	DECAL WARNING HOT GLY SELECTOR VLV	1
5A	003-704609	DECAL EXT RSVR HOOK-UP HESF-1000	1
5B	003-902771	DECAL EXT RSVR HOOK-UP FRENCH	1
6	003-903125	DECAL GLY LEVEL 400GTS SIDE TANK	1
7	003-903355	DECAL WARNING EXT CORD SHOCK	1
8	003-903495	DECAL VINYL XTERM HH1-5 NNNNNN 13-TERM	1
9	003-903530	DECAL DUAL-VOLTAGE PWR CONN	1
10	003-903837	DECAL GLY SELECTOR VALVE 400GTS	1
11	003-904737	DECAL TANK MUST BE EMPTIED	1
12	003-905289	DECAL BURNER LOCKOUT	1

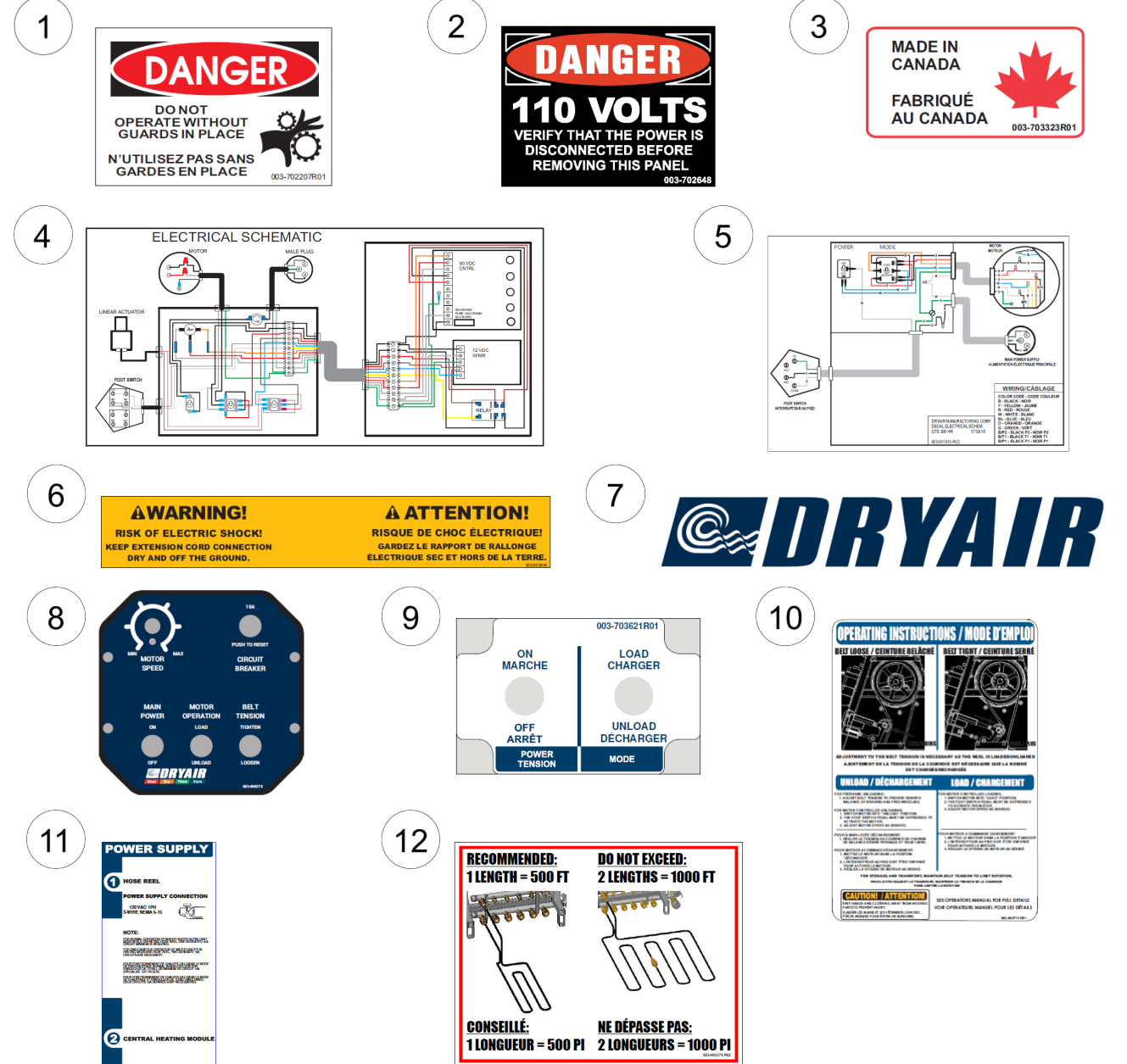
Decals

Part No. 023-903814
Rev. 02 04-11-2023



**Central Mobile Enclosure
400 GTS Series
Hose Reel Decals**

S/N: 166500 -
S/N: Current
PAGE: 9.1.5



Item No.	Part No.	Description	Qty.
1	003-702207	DECAL DANGER DO NOT OPERATE	2
2	003-702648	DECAL DANGER 110V	1
3	003-703323	DECAL MADE IN CANADA 1.5x3	1
4	003-902714	DECAL ELEC SCHEM HRA	1
5	003-901913	DECAL ELEC SCHEM GTS300 (SN: 166500 - 167015)	1
6	003-903355	DECAL WARNING EXT CORD SHOCK	1
7	003-906374	DECAL DRYAIR 9-5/8L 1-1/2W NEW BLUE	1
8	003-906375	DECAL CNTRL FPLATE HRA NEW BLUE	1
9	003-703621	DECAL TOGGLE SW ID MOD 2250-HR (SN: 166500 - 167015)	1
10	003-902715	DECAL OPR INSTR HRA	1
11	003-902908	DECAL PWR SPLY-CIRCUIT REQUIREMENT (SN: 166500 - 167015)	1
12	003-903279	DECAL HOSE REEL MAX LOOP LENGTH (SN: 166500 - 167015)	1

Hose Reel Decals

Part No. 023-903814
Rev. 02 04-11-2023

