



Heat

Dry

Thaw

Cure

OPERATOR MANUAL

Hose Reel

HRV4000, HRV5000, HRV6000



DRYAIR MANUFACTURING CORP.
PO BOX 126, 400 SERVICE ROAD
ST.BRIEUX, SK S0K 3V0
CANADA
WWW.DRYAIR.CA

Tel: 1 (306) 275-4848
Toll-Free: 1 (888) 750-1700
Fax: 1 (306) 275-4664
Email: service@dryair.ca



Table of Contents

1. Warranty Policies & Claim Procedures	1-2
Warranty Policies	1-2
Basic Warranty Policy	1-2
Extended Warranty Policy.....	1-2
Heat Exchanger	1-2
Exceptions to the Warranty Policies	1-2
Owner Obligations	1-3
Manufacturer Obligations.....	1-3
Warranty Claim Procedure	1-3
2. Safety Concerns	2-1
General Safety Guidelines.....	2-1
3. Operating Features	3-1
Drive Features & Power Requirements	3-1
Setup/Operation.....	3-1
Manual Controls.....	3-1
Reel Power	3-2
Reel Direction Modes.....	3-2
Mechanical Drive Components	3-3
Electric Motor.....	3-3
GearBox.....	3-3
Torque Limiter Clutch	3-3
Maintenance	3-4
Precautions.....	3-4
Electric Motor.....	3-4
GearBox	3-4
Maintenance & Operation	3-4
Oil Filling Procedure	3-5
Break-In Period.....	3-5
Torque Limiter Adjustment	3-5
Physical check.....	3-5
Torque adjust procedure	3-5
Run-in procedure	3-6
4. Appendix	4-1
Electrical Schematic	4-1
Material Safety Data Sheets	4-2

Table of Figures

Figure 1 - Safety Decals	2-1
Figure 2 - Hose Reel Control Panel.....	3-2
Figure 3 - Motor Features & Data.....	3-3
Figure 4 - Gear Box	3-3
Figure 5 - Oil Fill Location Gear Box	3-5
Figure 6 - Torque Limiter Clutch.....	3-6
Figure 7 - Hose Reel Electrical Schematic.....	4-1



1. Warranty Policies & Claim Procedures

DryAir Manufacturing Corp. (referred to within as DryAir) warrants its new, unused equipment to be free of defects in material and workmanship at the time of delivery to the original retail purchaser.

Warranty Policies

Basic Warranty Policy

- DryAir will repair or replace, at its option, without charge, any defective part of the equipment for a period of twelve (12) months from delivery to the first retail purchaser, F.O.B St. Brieux, SK., Canada.
- Any parts that are covered by an extended warranty published by DryAir are an exception to the Basic Warranty policy and are to be warrantied as per the details of the Extended Warranty Policy.
- Labour is covered as per DryAir flat labour rate.
- The Warranty Policy, terms, and conditions may change from time to time without prior notice.
- Warranty terms and conditions are transferable in the event of the sale to a second owner.
- Replacement parts will be warrantied for 90 days from the repair date. Bill of sale must accompany the warranty claim.
- The terms of this Warranty Policy are subject to provincial and state legislation. DryAir reserves the right to make modifications in accordance with provincial and state legislation without prior notice or obligation.

Extended Warranty Policy

Heat Exchanger

- An extended warranty is available on the heat exchanger unit of the water heater assembly. The available warranty for a part, under the extended warranty policy, is prorated by 20% per year.
- Shipment date is the date to be used for the commencement of the warranty period.
- Coverage schedule

Year 1 - 100%
Year 2 - 80%
Year 3 - 60%
Year 4 - 40%
Year 5 - 20%

Exceptions to the Warranty Policies

- Under no circumstance shall the owner be entitled to recover costs for incidental, special, or consequential damages such as, but not limited to loss of profit or revenue, other commercial losses, inconvenience and/or replacement equipment rental cost.
- Maintenance, repair, or service items not related to warrantable defects.
- Loss or damage during shipping.
- Failure resulting from lack of or improper maintenance.
- Damage caused by operator abuse, negligence, or improper operation.
- Damage resulting from improper voltage supply.
- Damage from improper installation. Installation done by other than the manufacturer.
- Non-defective items replaced at the request of the customer.
- Damage due to accidents.
- Damage resulting from improper fuel supply (i.e. pressure or contamination).
- Damage resulting from cracked or broken lines occurring during transport.
- Damage resulting from use of inadequate or improper fluids (i.e. Glycol or oil).
- Mileage is not covered.
- Glycol is considered a consumable and will not be covered under the warranty policy.
- Generators carry their own warranty coverage through their own manufacturers. Please refer generator issues to the OEM. Contact information may be found in the Service & Operators Manual under Optional Equipment.



Owner Obligations

- It is the responsibility of the owner, at the owner's expense, to transport the equipment to the service facility of an authorized DryAir distributor/dealer or alternately to reimburse the distributor/dealer, for any traveling expenses incurred in fulfilling this warranty.
- The terms of this Warranty Policy are subject to provincial and state legislation. DryAir reserves the right to make modifications in accordance with provincial and state legislation without prior notice or obligation.
- It is the responsibility of the owner to read, understand and implement the maintenance, safety and operational guidelines as laid out in the Operation and Maintenance Guide.
- All parts are to be tagged with warranty claim number and shipped prepaid to DryAir within 30 days.

Manufacturer Obligations

- DryAir reserves the right to continually improve the product's parts or specifications at any time without notice or obligation.
- The terms of this Warranty Policy are subject to provincial and state legislation. DryAir reserves the right to make modifications in accordance with provincial and state legislation without prior notice or obligation.

Warranty Claim Procedure

- All warranty credits must be processed with the DryAir Warranty Claim Form.
- All warranty parts, unless otherwise specified, are to be returned to DryAir along with a completed Warranty Claim Form.

Note: Prior to returning warranty parts, please call for an authorization number and shipping instructions from the Warranty department in Canada.

Location of Warranty Depots:

USA

DryAir Manufacturing Corp.
410 Douglas Road, Box 264
Bradner, OH 43406
Ph. 1 (888) 750-1700

Canada

DryAir Manufacturing Corp.
400 Service Road, Box 126
St. Brieux, SK S0K 3V0
Ph. 1 (888) 750-1700

- Each warranty claim should only refer to one Serial or Production Schedule numbered unit.
- Warranty parts are to be tagged with warranty claim number.
- When claiming for warranty labour, the allowable warranty labour rate will be \$85.00/hour. The factory reserves the right to adjust the number of hours claimed where deemed necessary.
- The factory may at times specify allowable labour for certain warranty procedures.
- Mileage and travel time to/from the customer are not eligible for warranty credit.
- Freight charges for warranty parts are not eligible for warranty credit.
- Labour flat rates for component changes:
 - Electrical Components - 0.5hr
 - Relays
 - Switches
 - Thermostats
 - Breakers
 - Plumbing Components - 1hr
 - Flow Reverser
 - Flow Switch
 - Valves
 - Electric Motor Changes - 1hr
 - Hose Reel
 - Glycol Pump Changes - 2hrs

Note: Other labour charges will be at the discretion of DryAir.

2. Safety Concerns

General Safety Guidelines

- Make certain that the operator reads and understands all the information in this manual.
- All unauthorized people must be kept away from the equipment while in operation.
- Maintain instructional and safety decals. Replace damaged decals. (*Figure 1 - Safety Decals*)
- All guards must be in place when the equipment is in operation.

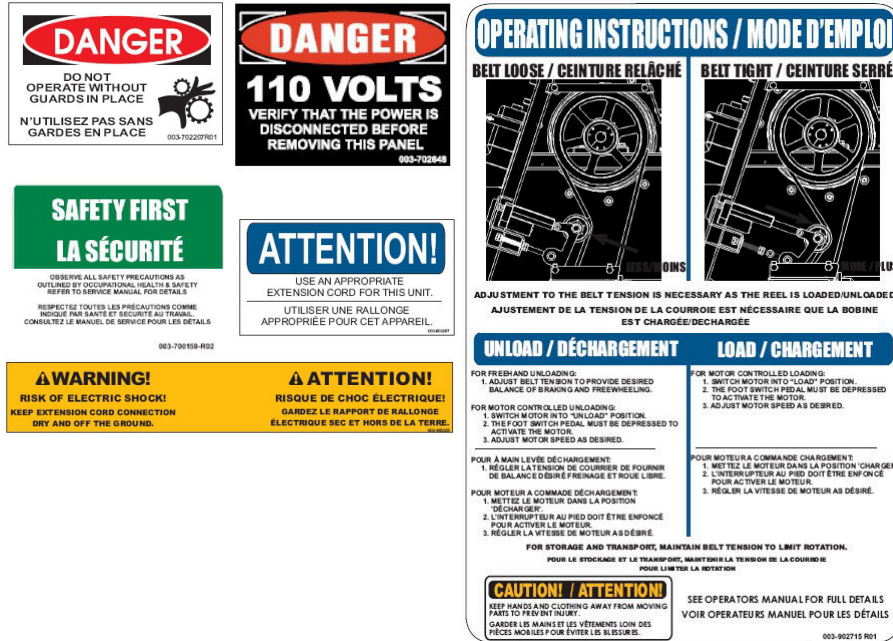


Figure 1 - Safety Decals



3. Operating Features

DANGER! *It is very important that you read and understand this manual before operating the reel. Failure to follow the procedures and cautions in this manual could lead to injury or possible death.*

The DryAir hose reel's primary purpose is to dispense and collect fluid circulation hose on job sites, primarily with respect to ground thaw and/or concrete cure operations.

The hose reel includes the following controls:

- Spool directional controls
- Momentary foot switch for load or unload application
- Hose reel drive speed
- Degree of drive engagement/braking

Drive Features & Power Requirements

- The reel can be run off a 115 VAC, 15-amp circuit.
- Reel power and directional control is handled through two toggle switches. One controls Power - On/Off, the other controls the Mode - Load/Unload.
- The reel motor is a high torque permanent magnet DC 1 HP motor capable of variable speed operation. The reel operates between 5 RPM and 15 RPM. This is adjusted by the MOTOR SPEED control dial.
- Drive and motor protection against inertial forces is provided by an adjustable torque-limiter clutch located between the motor/gear box and the reel spool. The torque limiter clutch provides a smooth interface with the spool's high inertial forces.
- Power transmission between the gearbox and the hose reel spool is by means of an adjustable tension belt. This belt also allows freewheeling operation of the hose reel, while allowing drag on the belt to provide a degree of inertial limitation on the hose reel spool.
- An adjustable torque-limiter clutch located between the motor/gearbox and the reel spool provides additional protection against high inertial load as well as offering a degree of safety against entanglement.

Setup/Operation

CAUTION! *It is very important that you read and understand this section before operating the hose reel. Failure to follow the procedures and cautions in this manual could lead to injury or possible death.*

Manual Controls

The hose reel has a master power switch, a motor direction switch, a belt tension switch, a motor speed dial, and a circuit breaker.

CAUTION! *When NOT operating the reel, put the reel Main Power toggle switch in the "Off" position to prevent accidental activation and possible injury. When the hose reel is to be left unsupervised, the power cord should be unplugged from the power supply.*

Reel Power

Power is present when the MAIN POWER switch is in the “ON” position. The motor is operated by depressing the foot switch, which operates a momentary contact (will only operate when depressed).

Reel Direction Modes

- Mode 1** - Powered Load
- Mode 2** - Freewheeling Unload
- Mode 3** - Powered Unload
- Mode 4** - Cold Starting

CAUTION! Take care not to allow your hands, feet, or clothing to become trapped in any of the reel’s moving mechanisms.

Mode 1 - Powered Load

The LOAD mode is achieved when the MOTOR OPERATION toggle switch is in the LOAD position and the belt is sufficiently tightened to transmit power from the motor/gearbox to the hose reel spool. The foot switch is momentary and will only operate when it is depressed. The hose must be directed manually into position on the hose reel. The hose reel speed may be varied by means of the MOTOR SPEED dial.



Figure 2 - Hose Reel Control Panel

Mode 2 - Freewheel Unload

The BELT TENSION switch controls the linear actuator, which positions the pivot arm, on the end of which is an idler sheave that depresses the drive belt. This adjusts the belt tension. With the belt loosened the hose reel may freewheel. It is important to maintain sufficient tension on the belt to allow a degree of braking on the hose reel spool while unrolling hose. The hose reel spool possesses a variable amount of inertia depending on its mass and its angular velocity.

This necessitates gradually loosening the belt as the hose is unloaded: less spool inertia (from decreased mass) requires less braking.

Note that for transport of the hose reel it is advisable to maintain sufficient tension on the hose reel to arrest any rotation of the hose reel spool caused by motion of the unit.

Mode 3 - Powered Unload

The UNLOAD mode is achieved when the MOTOR OPERATION toggle switch is in the UNLOAD position and the belt is sufficiently tightened to transmit power from the motor/gearbox to the hose reel spool. The foot switch is momentary and will only operate when it is depressed.

Mode 4 - Cold Starting

It is advisable that when beginning operation below 18°F (-8°C) that the belt tension be temporarily loosened far enough that motor rotation will not cause spool rotation and that the motor be powered for a minimum of 5 minutes. This will allow the oil in the gearbox to warm up and to allow smooth low-temperature operation.

Re-tension the belt following system warm-up and begin your desired operation.

Mechanical Drive Components

Access to the internal mechanical drive components is through the access door. This door must be removed.

Electric Motor

- No regular maintenance is required.
- Low temperature automatic reset thermal protector.
- Totally enclosed and fully gasket construction for dirty environments.
- Make sure that during operation or storage, the motor is not in prolonged contact with moisture.

Refer to the table below for motor features & data:

PRODUCT FEATURE - ENCLOSED HIGH TORQUE PMDC MOTOR			
Model Number:	MPTM-001-1L18	Weight:	29 Lbs
Power:	1 HP	Torque:	2.92 Ft*Lbs.
ω :	1800 RPM	Housing Rating:	TEFC
Voltage:	90VDC	Insulation Class:	F
Frame:	NEMA 56C	Output Shaft:	5/8"
Mounting:	C-FACE	Service Factor:	1.0

Figure 3 - Motor Features & Data

GearBox

- Helical worm gear
- 60:1 Gear reduction
- 5/8" Input shaft size
- 1 1/8" Output shaft

CAUTION! Do not operate the unit without ensuring it contains the correct amount of oil. Do not overfill or under fill with oil. Injury to personnel, unit, or other equipment may result. Oil should be changed with greater frequency if unit is used in severe environment (dusty or high humidity).

WARNING! Oil, housing, and other components can reach high temperatures during operation and can cause severe burns. Use extreme care when removing lubrication plugs and vents while servicing the unit.

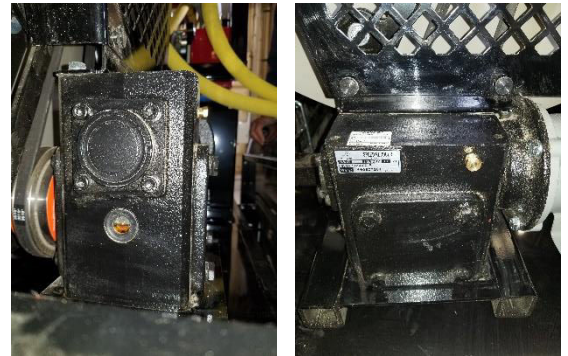


Figure 4 - Gear Box

See “Maintenance - Gear Box” section of the Operator Manual for Gear Box oil filling procedures, service & maintenance.

Torque Limiter Clutch

- The torque limiter protects the drive line from damage due to overload conditions. The driven center member slips on non-asbestos friction discs during overload situations in the drive line.
- Torque Ratings: Minimum: 60 lb-ft.
Maximum: 190 lb-ft.

Please note that the torque ratings are estimates. Actual torque capacity may vary significantly depending on many factors. Field conditions such as oil, humidity, water, and temperature as well as the frequency and duration of slippage all affect torque capacity. Although the torque limiter clutch is factory set at DryAir, periodic adjustment may be required. It is recommended the torque setting of the clutch be checked twice per season (see “Maintenance” section). With prolonged use the two friction disks, located on either side of the A-plate sprocket, will eventually show wear.

- It is important that the torque limiter clutch is adjusted properly. The clutch should be set to a slip torque of 100 ft-lb.



Note: A visual check may be required to confirm whether it is the clutch that is slipping or the motor.

See “**Maintenance - Torque limiter adjustment**” section of the **Operator Manual for Torque Adjustment & Run-In Procedure**.

Maintenance

DANGER! It is very important that you read and understand this section before operating the hose reel. Failure to follow the procedures and cautions in this manual could lead to injury or possible death.

Precautions

Electric shock will result in death or serious injury.

- The user is responsible for conforming to all applicable code requirements with respect to grounding all equipment.
- Many parts in this drive controller, including printed wiring boards, operate at line voltage. DO NOT TOUCH. Use only electrically insulated tools.
- DO NOT touch unshielded components or terminal strip screw connections with voltage present.
- Install and close all covers before applying power or starting/stopping the hose reel.
- Before servicing:
 - Disconnect all power.
 - Place a “DO NOT TURN ON” label on the power cord.
- Disconnect all power, including external control power that may be presently servicing the drive controller.

Electric Motor

- No regular maintenance is required.
- Make sure that the motor is not in prolonged contact with moisture during operation or storage.

GearBox

Maintenance & Operation

WARNING! Oil, housing, and other components can reach high temperatures during operation, and can cause severe burns. Use extreme care when removing lubrication plugs and vents while servicing the unit.

- Do not operate the unit without making sure it contains the correct amount of oil.
- Do not overfill or under fill with oil, or injury to personnel, unit, or other equipment may result.
- For proper operation in subzero conditions, it is mandatory that the following oil be used: **“Spartan EP 320 industrial gear oil” or equivalent.... Any other gear oil will void warranty!**

Oil Filling Procedure

- Remove Fill and Vent Plug.
- Clean threads on the removed plugs and the plug holes with degreaser.
- Fill gear box with the recommended lubricant (see above) to a level near the center line of the uppermost horizontal shaft or until lubricant comes out of the oil level plug hole.
- Install plugs secure in gear case.

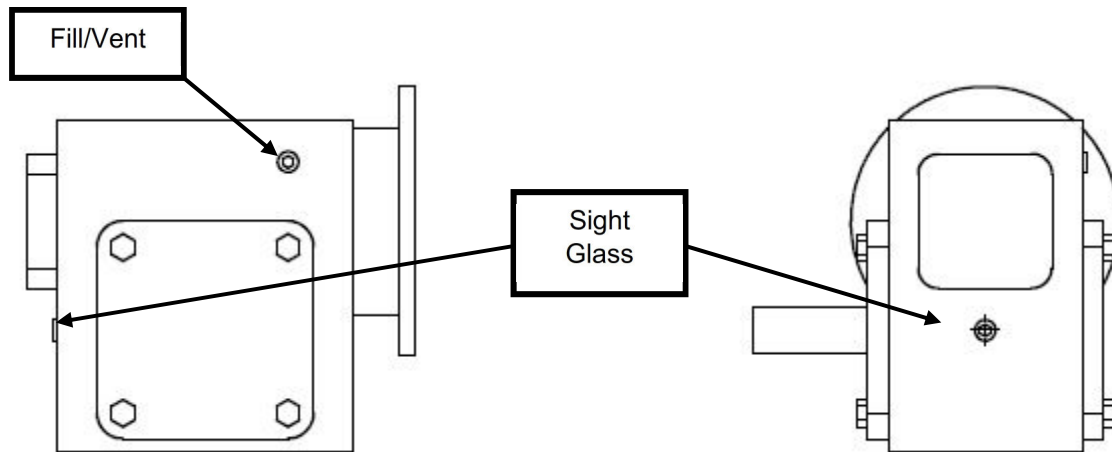


Figure 5 - Oil Fill Location Gear Box

Break-In Period

After the first 100 hours of operation, drain out initial oil, flush out the gear case with an approved, non-flammable, non-toxic solvent, such as Whitmore's Flushing Oil (#06802030) or Medallion Flushing Oil Kosher (#06812010), and refill. Thereafter, oil should be changed at least every 2,500 operating hours or every 6 months - whichever occurs first.

Note: Oil should be changed with greater frequency if the unit is used in severe environments (dusty or high humidity).

Torque Limiter Adjustment

- Although the torque limiter clutch is factory set at DryAir, periodic adjustment may be required. It is recommended that the torque setting of the clutch be checked twice a season. With prolonged use the two friction disks, located on either side of the driven center member, will eventually show wear.
- It is important that the torque limiter clutch is adjusted properly. If the clutch slips too easily the spool will take too long to stop, and hose will pile up on the reel. If the clutch does not slip at all the protection on the drive will take over and the spool will again take too long to stop.

Physical check

- With no power being applied to the reel grip the edge of the spool plate and apply full upward force, making sure that you are lifting with your legs and not your back.
- You should be able to cause the clutch to just slip with full lifting force.
- If the clutch does not slip or slips too easily, refer to the "torque adjust procedure", below.

Torque adjust procedure

- Ensure that the adjusting nut is in a finger tight position.
- If the adjustment nut is tighter than finger tight, loosen and complete previous step.
- Match the mark on the adjusting nut with the hub. Using a torque wrench tighten the adjusting nut to 90 ft-lb. After the break-away torque is set, bend the tabs of the lock washer over the hex flats of the adjusting nut.

Note: The torque limiter clutch nut requires a reasonable amount of force to adjust. Use a torque wrench that provides you with at least 18" of leverage.

Run-in procedure

- If the torque limiter has been taken apart and reassembled, or friction disks have been changed, it is recommended that the clutch be “run in” by “slipping” the center member (sprocket).
- Ensure that the adjusting nut is in a finger tight position.
- Match mark the adjusting nut and hub. Advance the adjusting nut ¼ turn from finger tight.
- Slip the torque limiter sprocket for 8 minutes at full RPM.
- Refer back to the “Torque adjust procedure” for final readjustment.

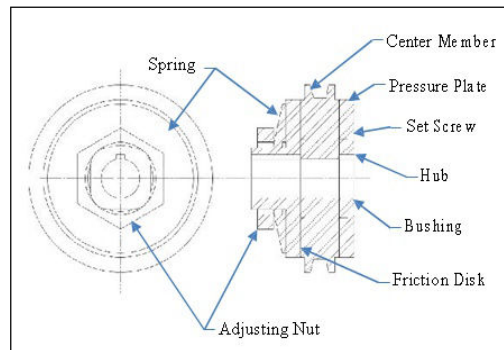


Figure 6 - Torque Limiter Clutch

4. Appendix

Electrical Schematic

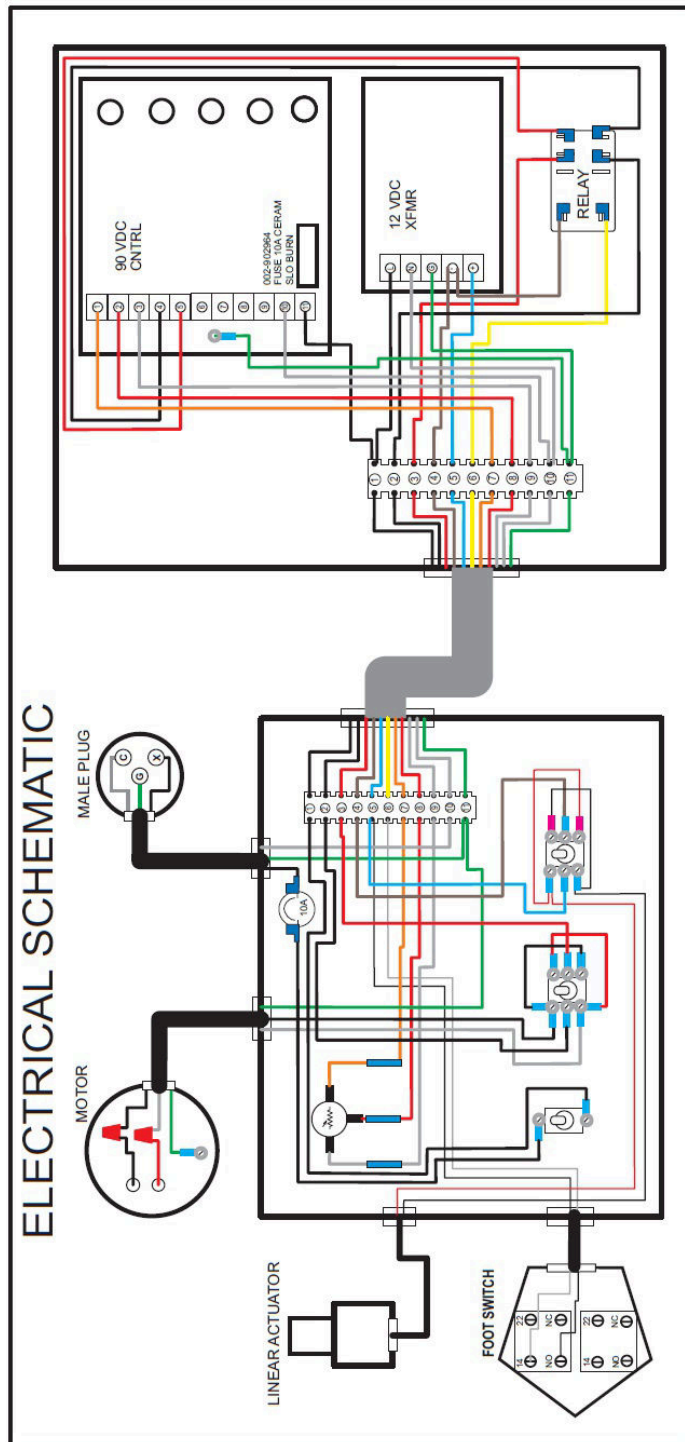


Figure 7 - Hose Reel Electrical Schematic



Material Safety Data Sheets

The Material Safety Data Sheets (MSDS) included with this manual have been provided by DryAir's suppliers.



SAFETY DATA SHEET

Issuing Date 03-Jun-2019

Revision date 03-Jun-2019

Revision Number 1

1. Identification

Product identifier

Product Name BOSS Chill Propylene Glycol

Other means of identification

Product Code(s) GHSRBS-041

UN/ID no. UN 3082

Synonyms None

Recommended use of the chemical and restrictions on use

Recommended use Heat transfer medium

Restrictions on use No information available

Details of the supplier of the safety data sheet

Initial supplier identifier

BOSS Lubricants

Manufacturer Address

6303 30 ST SE Calgary, AB T2C 1R4

Emergency telephone number

Initial supplier phone number (800) 844-9457
Emergency Telephone Chemtrec 1-800-424-9300

2. Hazard(s) identification

Classification

Not a hazardous substance or mixture according to the Globally Harmonized System (GHS) and Canada's Hazardous Products Regulations

Label elements

Hazard statements

Not a hazardous substance or mixture according to the Globally Harmonized System (GHS) and Canada's Hazardous Products Regulations.

Precautionary Statements - Disposal

Dispose of contents/container in accordance with local, regional, national, and international regulations as applicable

Other information**3. Composition/information on ingredients****Substance**

Chemical name	CAS No.	Weight-%	Hazardous Material Information Review Act registry number (HMIRA registry #)	Date HMIRA filed and date exemption granted (if applicable)
Water	7732-18-5	0.1 - 1	-	
Propylene glycol	57-55-6	80 - 100	-	
PROPRIETARY ADDITIVES	PROPRIETARY	1 - 5	-	

If CAS number is "proprietary", the specific chemical identity and percentage of composition has been withheld as a trade secret.

4. First-aid measures**Description of first aid measures****Inhalation**

Remove to fresh air. If not breathing, give artificial respiration. IF exposed or concerned: Get medical advice/attention.

Eye contact

IF IN EYES: Rinse cautiously with water for several minutes. Remove contact lenses, if present and easy to do. Continue rinsing. Get medical attention if irritation develops and persists.

Skin contact

Wash off immediately with soap and plenty of water while removing all contaminated clothes and shoes. Get medical attention if symptoms occur.

Ingestion

Do NOT induce vomiting. Call a physician or poison control center immediately. If vomiting occurs spontaneously, keep head below hips to prevent aspiration. Never give anything by mouth to an unconscious person.

Most important symptoms and effects, both acute and delayed**Symptoms**

Prolonged contact may cause redness and irritation.

Indication of any immediate medical attention and special treatment needed**Note to physicians**

Treat symptomatically.

5. Fire-fighting measures

Suitable Extinguishing Media	Carbon dioxide (CO ₂). Foam. Dry chemical. Water spray or fog. Alcohol resistant foam.
Unsuitable extinguishing media	Do not scatter spilled material with high pressure water streams.
Specific hazards arising from the chemical	Use water spray to cool fire-exposed containers and structures. Isolate and restrict area access. Violent steam generation or eruption may occur upon application of direct water stream to hot liquids. Container may rupture from gas generation in a fire situation. Fight fire from a safe distance and from a protected location. Do not direct a solid stream of water or foam into hot, burning pools; this may cause frothing and increase fire intensity. Consider use of unmanned hose holder or monitor nozzles.
Explosion data	
Sensitivity to mechanical impact	None.
Sensitivity to static discharge	None.
Special protective equipment for fire-fighters	Firefighters should wear self-contained breathing apparatus and full firefighting turnout gear. Use personal protection equipment.

6. Accidental release measures

Personal precautions, protective equipment and emergency procedures

Personal precautions Use personal protective equipment as required. See section 8 for more information. Ensure adequate ventilation.

Methods and material for containment and cleaning up

Methods for containment Stop leak if you can do it without risk. Keep out of drains, sewers, ditches and waterways. Ventilate the area. Avoid breathing vapors or mists.

Methods for cleaning up Cover liquid spill with sand, earth or other noncombustible absorbent material. Prevent product from entering drains.

7. Handling and storage

Precautions for safe handling

Advice on safe handling Avoid breathing dust/fume/gas/mist/vapors/spray. Avoid contact with skin, eyes or clothing. Use only with adequate ventilation. Handle in accordance with good industrial hygiene and safety practice. Do not eat, drink or smoke when using this product. Do not ingest. If swallowed then seek immediate medical assistance. For industrial use only.

Conditions for safe storage, including any incompatibilities

Storage Conditions Keep container tightly closed in a dry and well-ventilated place. Keep away from heat, sparks, flame and other sources of ignition (i.e., pilot lights, electric motors and static electricity). Do not contaminate food or feed stuffs. Store only in containers resistant to alkaline solutions with a pH of 9.0 to 12.0.

8. Exposure controls/personal protection

Control parameters

Exposure Limits This product, as supplied, does not contain any hazardous materials with occupational exposure limits established by the region specific regulatory bodies.

Appropriate engineering controls

Engineering controls Ensure adequate ventilation, especially in confined areas.

Individual protection measures, such as personal protective equipment

Eye/face protection Wear safety glasses with side shields (or goggles). If splashes are likely to occur, wear safety glasses with side-shields. Avoid contact with eyes.

Hand protection Wear suitable gloves.

Skin and body protection Wear suitable protective clothing.

Respiratory protection No protective equipment is needed under normal use conditions. If exposure limits are exceeded or irritation is experienced, ventilation and evacuation may be required.

General hygiene considerations Handle in accordance with good industrial hygiene and safety practice.

9. Physical and chemical properties

Information on basic physical and chemical properties

Physical state Liquid
Appearance No information available
Color purple
Odor Odorless
Odor threshold No information available

<u>Property</u>	<u>Values</u>	<u>Remarks • Method</u>
pH	9.0– 10.5	
Melting point / freezing point	No data available	None known
Boiling point / boiling range	188 °C / 317 °F	ASTM D7213
Flash point	116 °C / 240 °F	ASTM D93
Evaporation rate	No data available	None known
Flammability (solid, gas)	No data available	None known
Flammability Limit in Air		None known
Upper flammability or explosive limits	No data available	
Lower flammability or explosive limits	No data available	
Vapor pressure	No data available	None known
Vapor density	No data available	None known
Relative density	No data available	None known
Water solubility	completely soluble	
Solubility in other solvents	No data available	None known

Partition coefficient	No data available	None known
Autoignition temperature	No data available	None known
Decomposition temperature	No data available	None known
Kinematic viscosity	No data available	None known
Dynamic viscosity	No data available	None known

Other information

Explosive properties	No information available.
Oxidizing properties	No information available.
Softening point	No information available
Molecular weight	No information available
VOC Content (%)	No information available
Liquid Density	No information available
Bulk density	No information available

10. Stability and reactivity

Reactivity	No information available.
Chemical stability	Stable under normal conditions.
Possibility of hazardous reactions	None under normal processing.
Conditions to avoid	Heat, flames and sparks.
Incompatible materials	Strong oxidizing agents. Strong acids.
Hazardous decomposition products	Thermal decomposition can lead to release of irritating and toxic gases and vapors.

11. Toxicological information**Information on likely routes of exposure****Product Information**

Inhalation	No known effects under normal use conditions.
Eye contact	Irritating to eyes.
Skin contact	Avoid contact with skin and clothing.
Ingestion	Harmful if swallowed. Ingestion of larger amounts may cause defects to the central nervous system (e.g. dizziness, headache). Ingestion may cause gastrointestinal irritation, nausea, vomiting and diarrhea. May cause adverse kidney effects.

Symptoms related to the physical, chemical and toxicological characteristics

Symptoms	No information available.
----------	---------------------------

Acute toxicity

Numerical measures of toxicity
No information available

Unknown acute toxicity No information available
Product Information

Chemical name	Oral LD50	Dermal LD50	Inhalation LC50
Propylene glycol 57-55-6	= 20 g/kg (Rat)	= 20800 mg/kg (Rabbit)	Not available

Delayed and immediate effects as well as chronic effects from short and long-term exposure

Skin corrosion/irritation Based on available data, the classification criteria are not met.

Serious eye damage/eye irritation Based on available data, the classification criteria are not met.

Respiratory or skin sensitization Based on available data, the classification criteria are not met.

Germ cell mutagenicity Based on available data, the classification criteria are not met.

Carcinogenicity Based on available data, the classification criteria are not met.

Reproductive toxicity Based on available data, the classification criteria are not met.

STOT - single exposure Based on available data, the classification criteria are not met.

STOT - repeated exposure Based on available data, the classification criteria are not met.

Aspiration hazard No information available.

12. Ecological information

Ecotoxicity Harmful to aquatic life.

Persistence and degradability No information available.

Bioaccumulation No information available.

Other adverse effects No information available.

13. Disposal considerations

Waste treatment methods

Waste from residues/unused products Dispose of waste in accordance with environmental legislation.

Contaminated packaging Do not reuse empty containers.

14. Transport information

<u>Transport Canada</u>	Not regulated
<u>TDG</u>	Not regulated
<u>DOT</u>	Not regulated unless shipping container holds at least 5,000 pounds.
UN/ID no.	UN 3082
Hazard class	9
Packing group	III
<u>MEX</u>	Not regulated
<u>ICAO (air)</u>	no data available
<u>IATA</u>	no data available
<u>IMDG</u>	no data available
<u>RID</u>	no data available
<u>ADR</u>	no data available
<u>ADN</u>	no data available

15. Regulatory information

Safety, health and environmental regulations/legislation specific for the substance or mixture

International Regulations

The Montreal Protocol on Substances that Deplete the Ozone Layer Not applicable

The Stockholm Convention on Persistent Organic Pollutants Not applicable

The Rotterdam Convention Not applicable

International Inventories

TSCA	Complies.
DSL/NDSL	Complies.
EINECS/ELINCS	Contact supplier for inventory compliance status.
ENCS	Contact supplier for inventory compliance status.
IECSC	Contact supplier for inventory compliance status.
KECL	Contact supplier for inventory compliance status.
PICCS	Contact supplier for inventory compliance status.
AICS	Contact supplier for inventory compliance status.

Legend:

TSCA - United States Toxic Substances Control Act Section 8(b) Inventory

DSL/NDSL - Canadian Domestic Substances List/Non-Domestic Substances List

EINECS/ELINCS - European Inventory of Existing Chemical Substances/European List of Notified Chemical Substances

ENCS - Japan Existing and New Chemical Substances

IECSC - China Inventory of Existing Chemical Substances

KECL - Korean Existing and Evaluated Chemical Substances

PICCS - Philippines Inventory of Chemicals and Chemical Substances

AICS - Australian Inventory of Chemical Substances

16. Other information

NFPA	Health hazards 2	Flammability 1	Instability 0	Physical and chemical properties -
HMIS	Health hazards 2	Flammability 1	Physical hazards 0	Personal protection X

Key or legend to abbreviations and acronyms used in the safety data sheet**Legend Section 8: EXPOSURE CONTROLS/PERSONAL PROTECTION**

TWA	TWA (time-weighted average)	STEL	STEL (Short Term Exposure Limit)
Ceiling	Maximum limit value	*	Skin designation

Key literature references and sources for data used to compile the SDS

Agency for Toxic Substances and Disease Registry (ATSDR)
 U.S. Environmental Protection Agency ChemView Database
 European Food Safety Authority (EFSA)
 EPA (Environmental Protection Agency)
 Acute Exposure Guideline Level(s) (AEGL(s))
 U.S. Environmental Protection Agency Federal Insecticide, Fungicide, and Rodenticide Act
 U.S. Environmental Protection Agency High Production Volume Chemicals
 Food Research Journal
 Hazardous Substance Database
 International Uniform Chemical Information Database (IUCLID)
 Japan GHS Classification
 Australia National Industrial Chemicals Notification and Assessment Scheme (NICNAS)
 NIOSH (National Institute for Occupational Safety and Health)
 National Library of Medicine's ChemID Plus (NLM CIP)
 National Library of Medicine's PubMed database (NLM PUBMED)
 National Toxicology Program (NTP)
 New Zealand's Chemical Classification and Information Database (CCID)
 Organization for Economic Co-operation and Development Environment, Health, and Safety Publications
 Organization for Economic Co-operation and Development High Production Volume Chemicals Program
 Organization for Economic Co-operation and Development Screening Information Data Set
 RTECS (Registry of Toxic Effects of Chemical Substances)
 World Health Organization

Issuing Date 03-Jun-2019

Revision date 04-Jun-2019

Revision Note No information available.

Disclaimer

The information provided in this Safety Data Sheet is correct to the best of our knowledge, information and belief at the date of its publication. The information given is designed only as a guidance for safe handling, use, processing, storage, transportation, disposal and release and is not to be considered a warranty or quality specification. The information relates only to the specific material designated and may not be valid for such material used in combination with any other materials or in any process, unless specified in the text.

End of Safety Data Sheet**Data for Regulatory Rules**

Region	Template name	Revision Note
Canada	HGHS	2.0

GHS Product Information

pH	9.0– 10.5
Physical state	Liquid
Flash point °C	116
Boiling point / boiling range °C	188

Component Information

Canada

GHS Classification

Not Hazardous

Not a hazardous substance or mixture according to the Globally Harmonized System (GHS) and Canada's Hazardous Products Regulations

Precautionary Statements - Disposal

Dispose of contents/container in accordance with local, regional, national, and international regulations as applicable



SAFETY DATA SHEET

DOW CHEMICAL CANADA ULC

Product name: DOWFROST™ Heat Transfer Fluid

Issue Date: 12/16/2019

Print Date: 12/17/2019

DOW CHEMICAL CANADA ULC encourages and expects you to read and understand the entire (M)SDS, as there is important information throughout the document. We expect you to follow the precautions identified in this document unless your use conditions would necessitate other appropriate methods or actions.

1. IDENTIFICATION

Product name: DOWFROST™ Heat Transfer Fluid

Recommended use of the chemical and restrictions on use

Identified uses: Intended as a heat transfer fluid for closed-loop systems. This product is acceptable for use where there is possibility of incidental food contact and as a product for use in the immersion or spray freezing of wrapped meat and packaged poultry products. We recommend that you use this product in a manner consistent with the listed use. If your intended use is not consistent with the stated use, please contact your sales or technical service representative.

COMPANY IDENTIFICATION

DOW CHEMICAL CANADA ULC
#2400, 215 - 2ND STREET S.W.
CALGARY AB T2P 1M4
CANADA

Customer Information Number:

800-258-2436
SDSQuestion@dow.com

EMERGENCY TELEPHONE NUMBER

24-Hour Emergency Contact (transportation emergencies only): 1-800-424-9300

Local Emergency Contact (transportation emergencies only): 1-800-424-9300

24-Hour Emergency Contact: 1-989-636-4400

2. HAZARDS IDENTIFICATION

Hazard classification

This product is not hazardous under the criteria of the Hazardous Products Regulation (HPR) as implemented under the Workplace Hazardous Materials Information System (WHMIS 2015).

Other hazards

No data available

3. COMPOSITION/INFORMATION ON INGREDIENTS

This product is a mixture.

Component	CASRN	Concentration (w/w)
Propylene glycol	57-55-6	> 95.0 %
Inorganic corrosion inhibitor	not hazardous	< 3.0 %
Water	7732-18-5	< 3.0 %

4. FIRST AID MEASURES

Description of first aid measures

General advice:

If potential for exposure exists refer to Section 8 for specific personal protective equipment.

Inhalation: Move person to fresh air; if effects occur, consult a physician.

Skin contact: Wash off with plenty of water.

Eye contact: Flush eyes thoroughly with water for several minutes. Remove contact lenses after the initial 1-2 minutes and continue flushing for several additional minutes. If effects occur, consult a physician, preferably an ophthalmologist.

Ingestion: Rinse mouth with water. No emergency medical treatment necessary.

Most important symptoms and effects, both acute and delayed:

Aside from the information found under Description of first aid measures (above) and Indication of immediate medical attention and special treatment needed (below), any additional important symptoms and effects are described in Section 11: Toxicology Information.

Indication of any immediate medical attention and special treatment needed

Notes to physician: No specific antidote. Treatment of exposure should be directed at the control of symptoms and the clinical condition of the patient.

5. FIREFIGHTING MEASURES

Extinguishing media

Suitable extinguishing media: Water fog or fine spray.. Dry chemical fire extinguishers.. Carbon dioxide fire extinguishers.. Foam.. Alcohol resistant foams (ATC type) are preferred. General purpose synthetic foams (including AFFF) or protein foams may function, but will be less effective..

Unsuitable extinguishing media: Do not use direct water stream.. May spread fire..

Special hazards arising from the substance or mixture

Hazardous combustion products: During a fire, smoke may contain the original material in addition to combustion products of varying composition which may be toxic and/or irritating.. Combustion products may include and are not limited to:. Carbon monoxide.. Carbon dioxide..

Unusual Fire and Explosion Hazards: Container may rupture from gas generation in a fire situation.. Violent steam generation or eruption may occur upon application of direct water stream to hot liquids..

Advice for firefighters

Fire Fighting Procedures: Keep people away. Isolate fire and deny unnecessary entry.. Use water spray to cool fire exposed containers and fire affected zone until fire is out and danger of reignition has passed.. Fight fire from protected location or safe distance. Consider the use of unmanned hose holders or monitor nozzles.. Immediately withdraw all personnel from the area in case of rising sound from venting safety device or discoloration of the container.. Burning liquids may be extinguished by dilution with water.. Do not use direct water stream. May spread fire.. Move container from fire area if this is possible without hazard.. Burning liquids may be moved by flushing with water to protect personnel and minimize property damage..

Special protective equipment for firefighters: Wear positive-pressure self-contained breathing apparatus (SCBA) and protective fire fighting clothing (includes fire fighting helmet, coat, trousers, boots, and gloves).. If protective equipment is not available or not used, fight fire from a protected location or safe distance..

6. ACCIDENTAL RELEASE MEASURES

Personal precautions, protective equipment and emergency procedures: Use appropriate safety equipment. For additional information, refer to Section 8, Exposure Controls and Personal Protection.

Environmental precautions: Prevent from entering into soil, ditches, sewers, waterways and/or groundwater. See Section 12, Ecological Information.

Methods and materials for containment and cleaning up: Small spills: Absorb with materials such as: Cat litter. Sawdust. Vermiculite. Zorb-all®. Collect in suitable and properly labeled containers. Large spills: Dike area to contain spill. Recover spilled material if possible. See Section 13, Disposal Considerations, for additional information.

7. HANDLING AND STORAGE

Precautions for safe handling: No special precautions required. Keep container closed. See Section 8, EXPOSURE CONTROLS AND PERSONAL PROTECTION. Spills of these organic materials on hot fibrous insulations may lead to lowering of the autoignition temperatures possibly resulting in spontaneous combustion.

Conditions for safe storage: Do not store in: Galvanized steel. Opened or unlabeled containers. Store in original unopened container. See Section 10 for more specific information. Additional storage

and handling information on this product may be obtained by calling your sales or customer service contact.

Storage stability

Shelf life: Use within 60 Month

8. EXPOSURE CONTROLS/PERSONAL PROTECTION

Control parameters

If exposure limits exist, they are listed below. If no exposure limits are displayed, then no values are applicable.

Consult local authorities for recommended exposure limits.

Component	Regulation	Type of listing	Value
Propylene glycol	US WEEL	TWA	10 mg/m3
	CA ON OEL	TWAEV Total	155 mg/m3 50 ppm
	CA ON OEL	TWAEV	10 mg/m3
	Further information: C: For assessing the visibility in a work environment where 1,2-propylene glycol aerosol is present.		
	CA ON OEL	TWA	155 mg/m3 50 ppm
	CA ON OEL	TWA	10 mg/m3
	Further information: (c): For assessing the visibility in a work environment where 1,2-propylene glycol aerosol is present		
	CA ON OEL	TWA Vapour and aerosols	155 mg/m3 50 ppm
	CA ON OEL	TWA aerosol	10 mg/m3
	Further information: (c): For assessing the visibility in a work environment where 1,2-propylene glycol aerosol is present		

Exposure controls

Engineering controls: Use local exhaust ventilation, or other engineering controls to maintain airborne levels below exposure limit requirements or guidelines. If there are no applicable exposure limit requirements or guidelines, general ventilation should be sufficient for most operations. Local exhaust ventilation may be necessary for some operations.

Individual protection measures

Eye/face protection: Use safety glasses (with side shields).

Skin protection

Hand protection: Use gloves chemically resistant to this material when prolonged or frequently repeated contact could occur. Examples of preferred glove barrier materials include: Butyl rubber. Natural rubber ("latex"). Neoprene. Nitrile/butadiene rubber ("nitrile" or "NBR"). Polyethylene. Ethyl vinyl alcohol laminate ("EVAL"). Polyvinyl chloride ("PVC" or "vinyl"). Avoid gloves made of: Polyvinyl alcohol ("PVA"). NOTICE: The selection of a specific glove for a particular application and duration of use in a workplace should also take into account all relevant workplace factors such as, but not limited to: Other chemicals which may be handled, physical requirements (cut/puncture protection, dexterity, thermal protection), potential body reactions to glove materials, as well as the instructions/specifications provided by the glove supplier.

Other protection: Wear clean, body-covering clothing.

Respiratory protection: Respiratory protection should be worn when there is a potential to exceed the exposure limit requirements or guidelines. If there are no applicable exposure limit

requirements or guidelines, wear respiratory protection when adverse effects, such as respiratory irritation or discomfort have been experienced, or where indicated by your risk assessment process. In misty atmospheres, use an approved particulate respirator. The following should be effective types of air-purifying respirators: Organic vapor cartridge with a particulate pre-filter.

9. PHYSICAL AND CHEMICAL PROPERTIES

Appearance

Physical state	Liquid.
Color	Colorless
Odor	Characteristic
Odor Threshold	No test data available
pH	10.0 50% <i>Literature</i>
Melting point/range	Not applicable to liquids
Freezing point	supercools
Boiling point (760 mmHg)	152 °C <i>Literature</i>
Flash point	closed cup 104 °C <i>Pensky-Martens Closed Cup ASTM D 93</i> (based on major component), Propylene glycol. open cup <i>Cleveland Open Cup ASTM D92</i> None
Evaporation Rate (Butyl Acetate = 1)	<0.5 <i>Estimated.</i>
Flammability (solid, gas)	Not applicable to liquids
Flammability (liquids)	Not expected to be a static-accumulating flammable liquid.
Lower explosion limit	2.6 % vol <i>Literature</i> Propylene glycol.
Upper explosion limit	12.5 % vol <i>Literature</i> Propylene glycol.
Vapor Pressure	2.2 mmHg <i>Literature</i>
Relative Vapor Density (air = 1)	>1.0 <i>Literature</i>
Relative Density (water = 1)	1.05 at 20 °C / 20 °C <i>Literature</i>
Water solubility	<i>Literature</i> completely soluble
Partition coefficient: n-octanol/water	No data available
Auto-ignition temperature	371 °C <i>Literature</i> Propylene glycol.
Decomposition temperature	No test data available
Kinematic Viscosity	43.4 cSt at 20 °C <i>Literature</i>
Explosive properties	No data available
Oxidizing properties	No data available
Molecular weight	76.9 g/mol <i>Literature</i>

NOTE: The physical data presented above are typical values and should not be construed as a specification.

10. STABILITY AND REACTIVITY

Reactivity: No data available

Chemical stability: Stable under recommended storage conditions. See Storage, Section 7.
Hygroscopic

Possibility of hazardous reactions: Polymerization will not occur.

Conditions to avoid: Exposure to elevated temperatures can cause product to decompose. Generation of gas during decomposition can cause pressure in closed systems. Avoid direct sunlight or ultraviolet sources.

Incompatible materials: Avoid contact with: Strong acids. Strong bases. Strong oxidizers.

Hazardous decomposition products: Decomposition products depend upon temperature, air supply and the presence of other materials.. Decomposition products can include and are not limited to:.. Aldehydes.. Alcohols.. Ethers.. Organic acids..

11. TOXICOLOGICAL INFORMATION

Toxicological information appears in this section when such data is available.

Information on likely routes of exposure

Ingestion, Inhalation, Skin contact, Eye contact.

Acute toxicity (represents short term exposures with immediate effects - no chronic/delayed effects known unless otherwise noted)

Acute oral toxicity

Very low toxicity if swallowed. Harmful effects not anticipated from swallowing small amounts.

For the major component(s): Propylene glycol.
LD50, Rat, > 20,000 mg/kg

Information for components:

Propylene glycol

LD50, Rat, > 20,000 mg/kg

Inorganic corrosion inhibitor

LD50, Rat, female, > 2,000 mg/kg No deaths occurred at this concentration.

Acute dermal toxicity

Prolonged skin contact is unlikely to result in absorption of harmful amounts.

For the major component(s): Propylene glycol.
LD50, Rabbit, > 20,000 mg/kg

Information for components:

Propylene glycol

LD50, Rabbit, > 2,000 mg/kg No deaths occurred at this concentration.

Inorganic corrosion inhibitor

LD50, Rabbit, > 5,000 mg/kg

Acute inhalation toxicity

At room temperature, exposure to vapor is minimal due to low volatility. Mist may cause irritation of upper respiratory tract (nose and throat).

For the major component(s):

LC50, Rat, 4 Hour, vapour, 6.15 mg/l No deaths occurred following exposure to a saturated atmosphere.

Information for components:

Propylene glycol

LC50, Rabbit, 2 Hour, dust/mist, 317.042 mg/l No deaths occurred at this concentration.

Inorganic corrosion inhibitor

Based on information for a similar material: Maximum attainable concentration. LC50, Rat, male and female, 4 Hour, dust/mist, > 0.83 mg/l No deaths occurred at this concentration.

Skin corrosion/irritation

Based on information for component(s):

Prolonged contact is essentially nonirritating to skin.

Repeated contact may cause flaking and softening of skin.

Information for components:

Propylene glycol

Prolonged contact is essentially nonirritating to skin.

Repeated contact may cause flaking and softening of skin.

Inorganic corrosion inhibitor

Prolonged contact may cause slight skin irritation with local redness.

Serious eye damage/eye irritation

Based on information for component(s):

May cause slight temporary eye irritation.

Corneal injury is unlikely.

Information for components:

Propylene glycol

May cause slight temporary eye irritation.

Corneal injury is unlikely.

Mist may cause eye irritation.

Inorganic corrosion inhibitor

May cause slight eye irritation.

May cause slight temporary corneal injury.

Dust may irritate eyes.
Mist may cause eye irritation.

Sensitization

For the major component(s):
Did not cause allergic skin reactions when tested in humans.

For respiratory sensitization:
No relevant data found.

Information for components:

Propylene glycol

Did not cause allergic skin reactions when tested in humans.

For respiratory sensitization:
No relevant data found.

Inorganic corrosion inhibitor

For similar material(s):
Did not demonstrate the potential for contact allergy in mice.

For respiratory sensitization:
No relevant data found.

Specific Target Organ Systemic Toxicity (Single Exposure)

Evaluation of available data suggests that this material is not an STOT-SE toxicant.

Information for components:

Propylene glycol

Evaluation of available data suggests that this material is not an STOT-SE toxicant.

Aspiration Hazard

Based on physical properties, not likely to be an aspiration hazard.

Information for components:

Propylene glycol

Based on physical properties, not likely to be an aspiration hazard.

Chronic toxicity (represents longer term exposures with repeated dose resulting in chronic/delayed effects - no immediate effects known unless otherwise noted)

Specific Target Organ Systemic Toxicity (Repeated Exposure)

In rare cases, repeated excessive exposure to propylene glycol may cause central nervous system effects.

Information for components:

Propylene glycol

In rare cases, repeated excessive exposure to propylene glycol may cause central nervous system effects.

Inorganic corrosion inhibitor

Based on available data, repeated exposures are not anticipated to cause significant adverse effects.

Carcinogenicity

Similar formulations did not cause cancer in laboratory animals.

Information for components:

Propylene glycol

Did not cause cancer in laboratory animals.

Inorganic corrosion inhibitor

No relevant data found.

Teratogenicity

For the major component(s): Did not cause birth defects or any other fetal effects in laboratory animals.

Information for components:

Propylene glycol

Did not cause birth defects or any other fetal effects in laboratory animals.

Inorganic corrosion inhibitor

For similar material(s): Did not cause birth defects or any other fetal effects in laboratory animals.

Reproductive toxicity

For the major component(s): In animal studies, did not interfere with reproduction. In animal studies, did not interfere with fertility.

Information for components:

Propylene glycol

In animal studies, did not interfere with reproduction. In animal studies, did not interfere with fertility.

Inorganic corrosion inhibitor

For similar material(s): In animal studies, did not interfere with reproduction.

Mutagenicity

In vitro genetic toxicity studies were negative. For the major component(s): Animal genetic toxicity studies were negative.

Information for components:

Propylene glycol

In vitro genetic toxicity studies were negative. Animal genetic toxicity studies were negative.

Inorganic corrosion inhibitor

In vitro genetic toxicity studies were negative.

12. ECOLOGICAL INFORMATION

Ecotoxicological information appears in this section when such data is available.

Toxicity

Propylene glycol

Acute toxicity to fish

Material is practically non-toxic to aquatic organisms on an acute basis (LC50/EC50/EL50/LL50 >100 mg/L in the most sensitive species tested).
LC50, Oncorhynchus mykiss (rainbow trout), static test, 96 Hour, 40,613 mg/l, OECD Test Guideline 203

Acute toxicity to aquatic invertebrates

LC50, Ceriodaphnia dubia (water flea), static test, 48 Hour, 18,340 mg/l, OECD Test Guideline 202

Acute toxicity to algae/aquatic plants

ErC50, Pseudokirchneriella subcapitata (green algae), 96 Hour, Growth rate inhibition, 19,000 mg/l, OECD Test Guideline 201

Toxicity to bacteria

NOEC, Pseudomonas putida, 18 Hour, > 20,000 mg/l

Chronic toxicity to aquatic invertebrates

NOEC, Ceriodaphnia dubia (water flea), semi-static test, 7 d, number of offspring, 13,020 mg/l

Inorganic corrosion inhibitor

Acute toxicity to fish

Material is practically non-toxic to aquatic organisms on an acute basis (LC50/EC50/EL50/LL50 >100 mg/L in the most sensitive species tested).
LC50, Leuciscus idus (Golden orfe), static test, 48 Hour, > 900 mg/l, Method Not Specified.

Persistence and degradability

Propylene glycol

Biodegradability: Material is readily biodegradable. Passes OECD test(s) for ready biodegradability. Biodegradation may occur under anaerobic conditions (in the absence of oxygen).

10-day Window: Pass

Biodegradation: 81 %

Exposure time: 28 d

Method: OECD Test Guideline 301F or Equivalent

10-day Window: Not applicable

Biodegradation: 96 %

Exposure time: 64 d

Method: OECD Test Guideline 306 or Equivalent

Theoretical Oxygen Demand: 1.68 mg/mg

Chemical Oxygen Demand: 1.53 mg/mg

Biological oxygen demand (BOD)

Incubation Time	BOD
5 d	69.000 %
10 d	70.000 %
20 d	86.000 %

Photodegradation

Atmospheric half-life: 10 Hour

Method: Estimated.

Inorganic corrosion inhibitor

Biodegradability: Biodegradation is not applicable.

Bioaccumulative potential

Propylene glycol

Bioaccumulation: Bioconcentration potential is low (BCF < 100 or Log Pow < 3).

Partition coefficient: n-octanol/water(log Pow): -1.07 Measured

Bioconcentration factor (BCF): 0.09 Estimated.

Inorganic corrosion inhibitor

Bioaccumulation: No bioconcentration is expected because of the relatively high water solubility.

Mobility in soil

Propylene glycol

Given its very low Henry's constant, volatilization from natural bodies of water or moist soil is not expected to be an important fate process.

Potential for mobility in soil is very high (Koc between 0 and 50).

Partition coefficient (Koc): < 1 Estimated.

Inorganic corrosion inhibitor

No relevant data found.

13. DISPOSAL CONSIDERATIONS

Disposal methods: DO NOT DUMP INTO ANY SEWERS, ON THE GROUND, OR INTO ANY BODY OF WATER. All disposal practices must be in compliance with all Federal, State/Provincial and local laws and regulations. Regulations may vary in different locations. Waste characterizations and compliance with applicable laws are the responsibility solely of the waste generator. AS YOUR SUPPLIER, WE HAVE NO CONTROL OVER THE MANAGEMENT PRACTICES OR MANUFACTURING PROCESSES OF PARTIES HANDLING OR USING THIS MATERIAL. THE INFORMATION PRESENTED HERE PERTAINS ONLY TO THE PRODUCT AS SHIPPED IN ITS INTENDED CONDITION AS DESCRIBED IN MSDS SECTION: Composition Information. FOR

UNUSED & UNCONTAMINATED PRODUCT, the preferred options include sending to a licensed, permitted: Recycler. Reclaimer. Incinerator or other thermal destruction device.

14. TRANSPORT INFORMATION

TDG

Not regulated for transport

Classification for SEA transport (IMO-IMDG):

<p>Transport in bulk according to Annex I or II of MARPOL 73/78 and the IBC or IGC Code</p>	<p>Not regulated for transport Consult IMO regulations before transporting ocean bulk</p>
--	---

Classification for AIR transport (IATA/ICAO):

Not regulated for transport

This information is not intended to convey all specific regulatory or operational requirements/information relating to this product. Transportation classifications may vary by container volume and may be influenced by regional or country variations in regulations. Additional transportation system information can be obtained through an authorized sales or customer service representative. It is the responsibility of the transporting organization to follow all applicable laws, regulations and rules relating to the transportation of the material.

15. REGULATORY INFORMATION

Canadian Domestic Substances List (DSL)

All substances contained in this product are listed on the Canadian Domestic Substances List (DSL) or are not required to be listed.

16. OTHER INFORMATION

Hazard Rating System

NFPA

Health	Flammability	Instability
0	1	0

Revision

Identification Number: 11045208 / A208 / Issue Date: 12/16/2019 / Version: 8.0

Most recent revision(s) are noted by the bold, double bars in left-hand margin throughout this document.

Legend

CA ON OEL	Canada. Ontario OELs
TWA	8-hr TWA
TWAEV	time-weighted average exposure value
US WEEL	USA. Workplace Environmental Exposure Levels (WEEL)

Full text of other abbreviations

AICS - Australian Inventory of Chemical Substances; ASTM - American Society for the Testing of Materials; bw - Body weight; CERCLA - Comprehensive Environmental Response, Compensation, and Liability Act; CMR - Carcinogen, Mutagen or Reproductive Toxicant; DIN - Standard of the German Institute for Standardisation; DOT - Department of Transportation; DSL - Domestic Substances List (Canada); ECx - Concentration associated with x% response; EHS - Extremely Hazardous Substance; ELx - Loading rate associated with x% response; EmS - Emergency Schedule; ENCS - Existing and New Chemical Substances (Japan); ErCx - Concentration associated with x% growth rate response; ERG - Emergency Response Guide; GHS - Globally Harmonized System; GLP - Good Laboratory Practice; HMIS - Hazardous Materials Identification System; IARC - International Agency for Research on Cancer; IATA - International Air Transport Association; IBC - International Code for the Construction and Equipment of Ships carrying Dangerous Chemicals in Bulk; IC50 - Half maximal inhibitory concentration; ICAO - International Civil Aviation Organization; IECSC - Inventory of Existing Chemical Substances in China; IMDG - International Maritime Dangerous Goods; IMO - International Maritime Organization; ISHL - Industrial Safety and Health Law (Japan); ISO - International Organisation for Standardization; KECI - Korea Existing Chemicals Inventory; LC50 - Lethal Concentration to 50 % of a test population; LD50 - Lethal Dose to 50% of a test population (Median Lethal Dose); MARPOL - International Convention for the Prevention of Pollution from Ships; MSHA - Mine Safety and Health Administration; n.o.s. - Not Otherwise Specified; NFPA - National Fire Protection Association; NO(A)EC - No Observed (Adverse) Effect Concentration; NO(A)EL - No Observed (Adverse) Effect Level; NOELR - No Observable Effect Loading Rate; NTP - National Toxicology Program; NZIoC - New Zealand Inventory of Chemicals; OECD - Organization for Economic Co-operation and Development; OPPTS - Office of Chemical Safety and Pollution Prevention; PBT - Persistent, Bioaccumulative and Toxic substance; PICCS - Philippines Inventory of Chemicals and Chemical Substances; (Q)SAR - (Quantitative) Structure Activity Relationship; RCRA - Resource Conservation and Recovery Act; REACH - Regulation (EC) No 1907/2006 of the European Parliament and of the Council concerning the Registration, Evaluation, Authorisation and Restriction of Chemicals; RQ - Reportable Quantity; SADT - Self-Accelerating Decomposition Temperature; SARA - Superfund Amendments and Reauthorization Act; SDS - Safety Data Sheet; TCSI - Taiwan Chemical Substance Inventory; TSCA - Toxic Substances Control Act (United States); UN - United Nations; UNRTDG - United Nations Recommendations on the Transport of Dangerous Goods; vPvB - Very Persistent and Very Bioaccumulative

Information Source and References

This SDS is prepared by Product Regulatory Services and Hazard Communications Groups from information supplied by internal references within our company.

DOW CHEMICAL CANADA ULC urges each customer or recipient of this (M)SDS to study it carefully and consult appropriate expertise, as necessary or appropriate, to become aware of and understand the data contained in this (M)SDS and any hazards associated with the product. The information herein is provided in good faith and believed to be accurate as of the effective date shown above. However, no warranty, express or implied, is given. Regulatory requirements are subject to change and may differ between various locations. It is the buyer's/user's responsibility to ensure that his

activities comply with all federal, state, provincial or local laws. The information presented here pertains only to the product as shipped. Since conditions for use of the product are not under the control of the manufacturer, it is the buyer's/user's duty to determine the conditions necessary for the safe use of this product. Due to the proliferation of sources for information such as manufacturer-specific (M)SDSs, we are not and cannot be responsible for (M)SDSs obtained from any source other than ourselves. If you have obtained an (M)SDS from another source or if you are not sure that the (M)SDS you have is current, please contact us for the most current version.

CA