



Heat

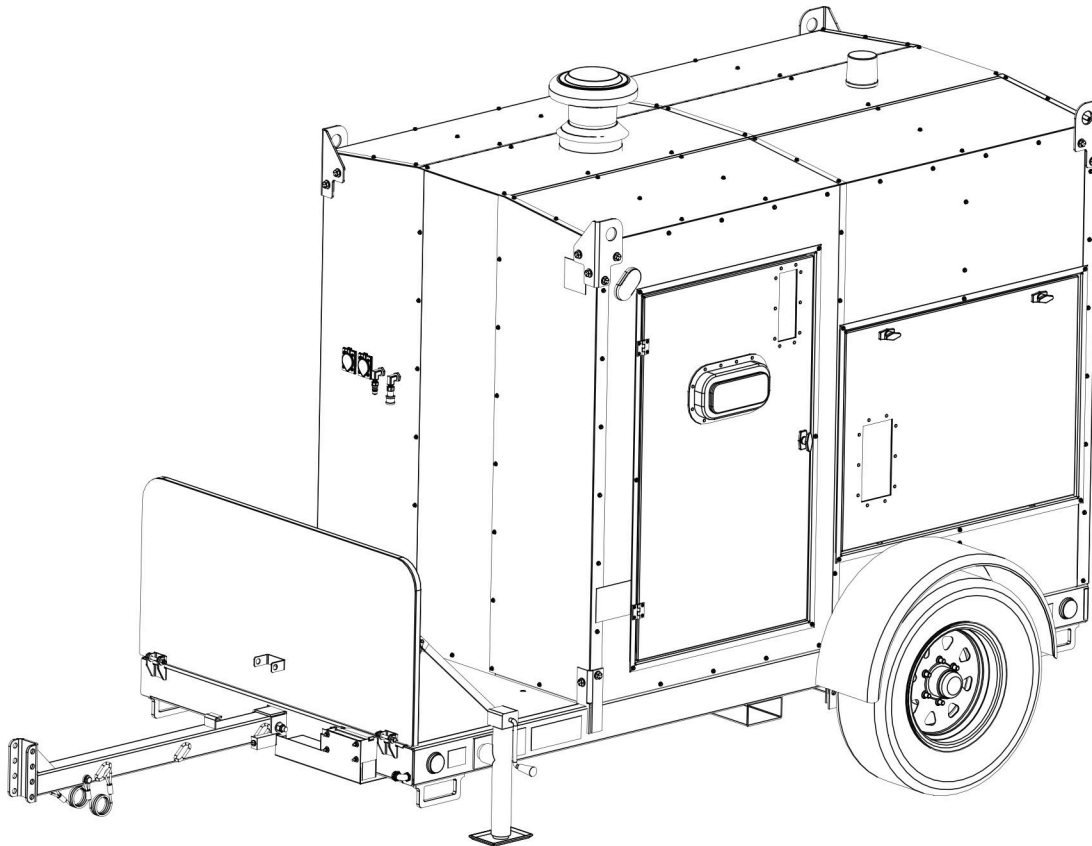
Dry

Thaw

Cure

PARTS CATALOGUE

Central Mobile Enclosure
200 GTS Series



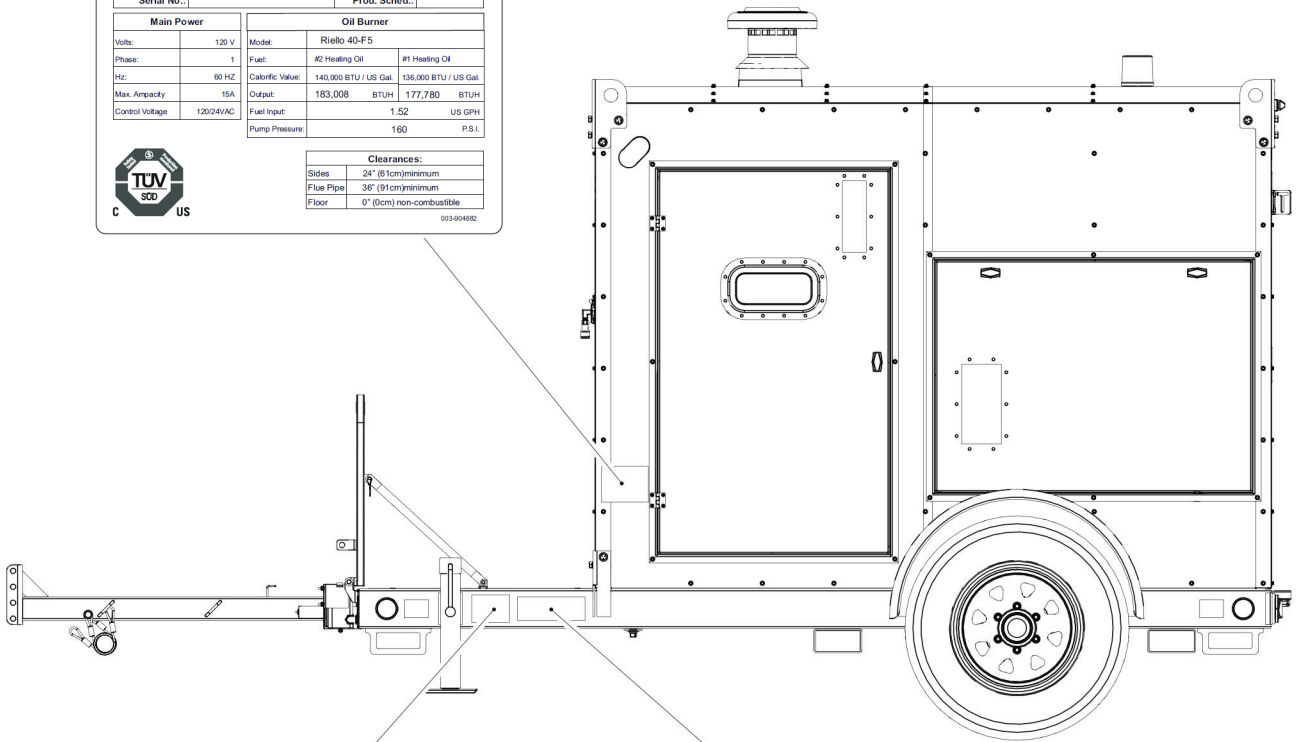
DRYAIR MANUFACTURING CORP.
PO BOX 126, 400 SERVICE ROAD
ST. BRIEUX, SK S0K 3V0
CANADA
www.dryair.ca

Tel: 1 (306) 275-4848
Toll-Free: 1 (888) 750-1700
Fax: 1 (306) 275-4664
Email: parts@dryair.ca



Central Mobile Enclosure 200 GTS Series Serial Number Location

		P.O. Box 126 400 Service Road St. Brieux, SK Canada S0K 3V0			MADE IN CANADA
DRYAIR Model:	200-GTS	Reference:			
Serial No.:		Prod. Sched.:			
Main Power		Oil Burner			
Voltage:	120 V	Model:	Riello 40-F5		
Phase:	1	Fuel:	#2 Heating Oil	#1 Heating Oil	
HZ:	60 HZ	Calorific Value:	140,000 BTU / US Gal.	136,000 BTU / US Gal.	
Max. Amperage:	15A	Output:	183,008 BTUH	177,780 BTUH	
Control Voltage:	120/24VAC	Fuel Input:	1.52 US GPH		
		Pump Pressure:	160 P.S.I.		
		Clearances:			
		Sides: 24" (61cm) minimum			
		Flue Pipe: 36" (91cm) minimum			
		Floor: 0" (0cm) non-combustible			
		003-904682			



MANUFACTURED BY:	DRYAIR MANUFACTURING CORP.
IMPORTED BY:	UPS SUPPLY CHAIN SOLUTIONS
DATE OF MANUFACTURE:	
GVWR	2,721 KG (6,000 LB)
GAWR ALL	2,721 KG (6,000 LB)
TIRES	ST225/75/R15 (E)
RIMS	15X6JJ
COLD TIRE INFL. SINGLE	552 kPa (80 PSI)
THIS VEHICLE CONFORMS TO ALL APPLICABLE FEDERAL MOTOR VEHICLE SAFETY STANDARDS IN EFFECT ON THE DATE OF MANUFACTURE SHOWN ABOVE.	
VIN: 2DRUS416 S	
TYPE: TRAILER	
003-904683	

MANUFACTURED BY/FABRIQUÉ PAR:	DRYAIR MANUFACTURING CORP. ST. BRIEUX, SK CANADA S0K 3V0 (306) 275-4848	
DATE:		
GVWR/PNBV 2721KG		
GAWR/PNBE KG	TIRE/PNEU - DIMENSION - RIM/JANTE	COLD INFL. PRESS./ PRESS. DE GONFL. À FROID PSI/LPC KPA
1st 2721	ST225/75/R15 E 15 X 6JJ	80 552
2nd		
3rd		
V.I.N./I.V.: 2DRUS416 S		
TYPE OF VEHICLE/TYPE DE VÉHICULE: TRA/REM		
003-904684		



Central Mobile Enclosure 200 GTS Series Table of Contents

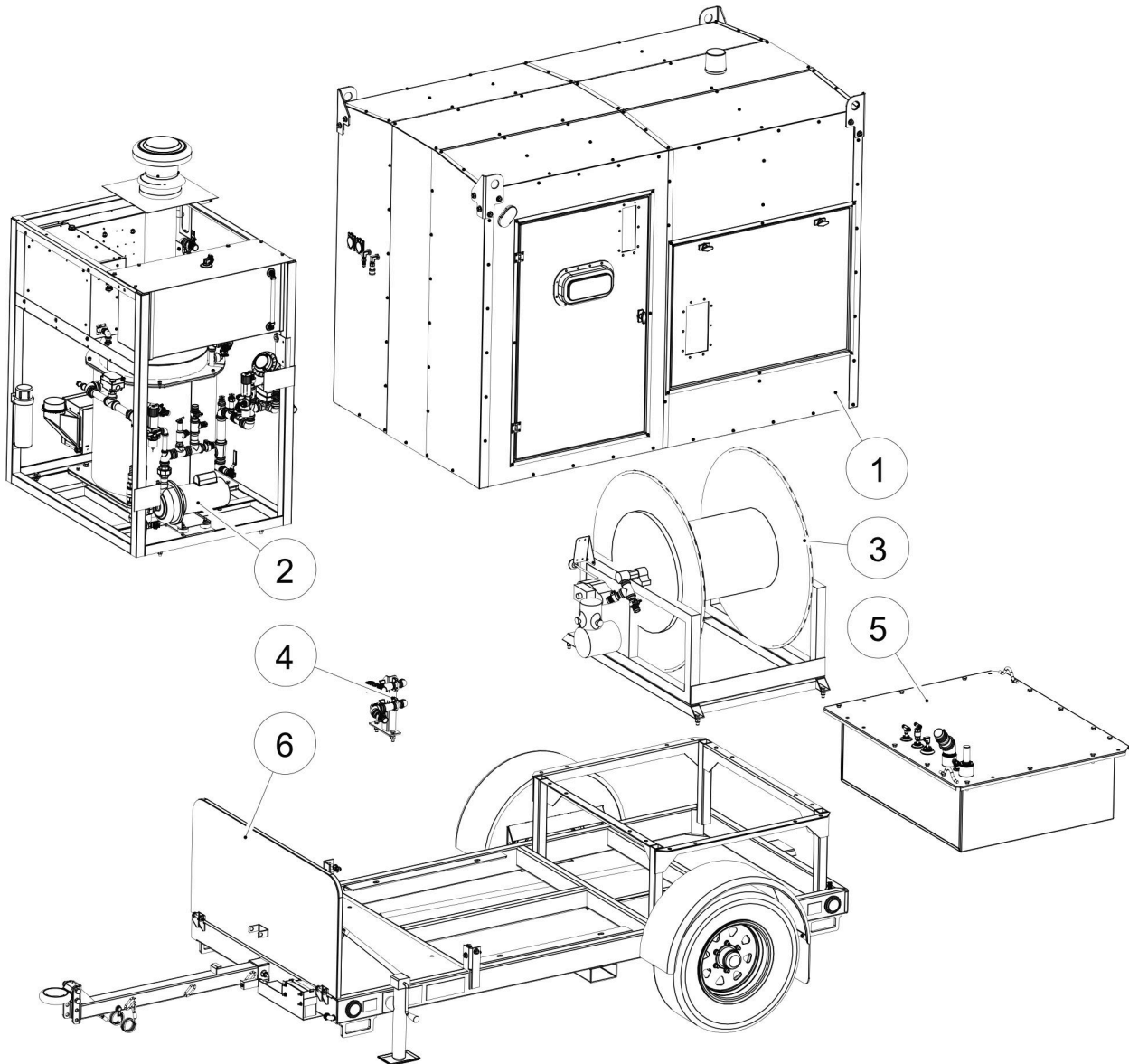
Enclosure Components	1.1.1
Enclosure Panels	1.1.3
Pump Side Door	1.1.5
Lift Out Door	1.1.7
Hose Access Door	1.1.9
Control Side Door	1.1.11
Heat Exchanger	2.1.1
Frame	2.1.3
Heat Exchanger	2.1.5
Control Panel	2.1.9
Air and Fuel Preheater	2.1.11
Pump	2.1.13
Burner	2.1.17
Glycol Tank	2.1.19
Supply Plumbing	2.1.21
Return Plumbing	2.1.23
Glycol Preheater	2.1.25
Flow Reverser	2.1.27
Main Plumbing	2.1.29
Chimney	2.1.31
Fuel Filter	2.1.33
Hose Reel	3.1.1
Manifold	4.1.1
Fuel Tank	5.1.1
Trailer	6.1.1
Hitch	6.1.3
Hoses and Fuel Lines	7.1.1
Decals	8.1.1



Central Mobile Enclosure 200 GTS Series Master Assembly

S/N: 170301 -

S/N: Current

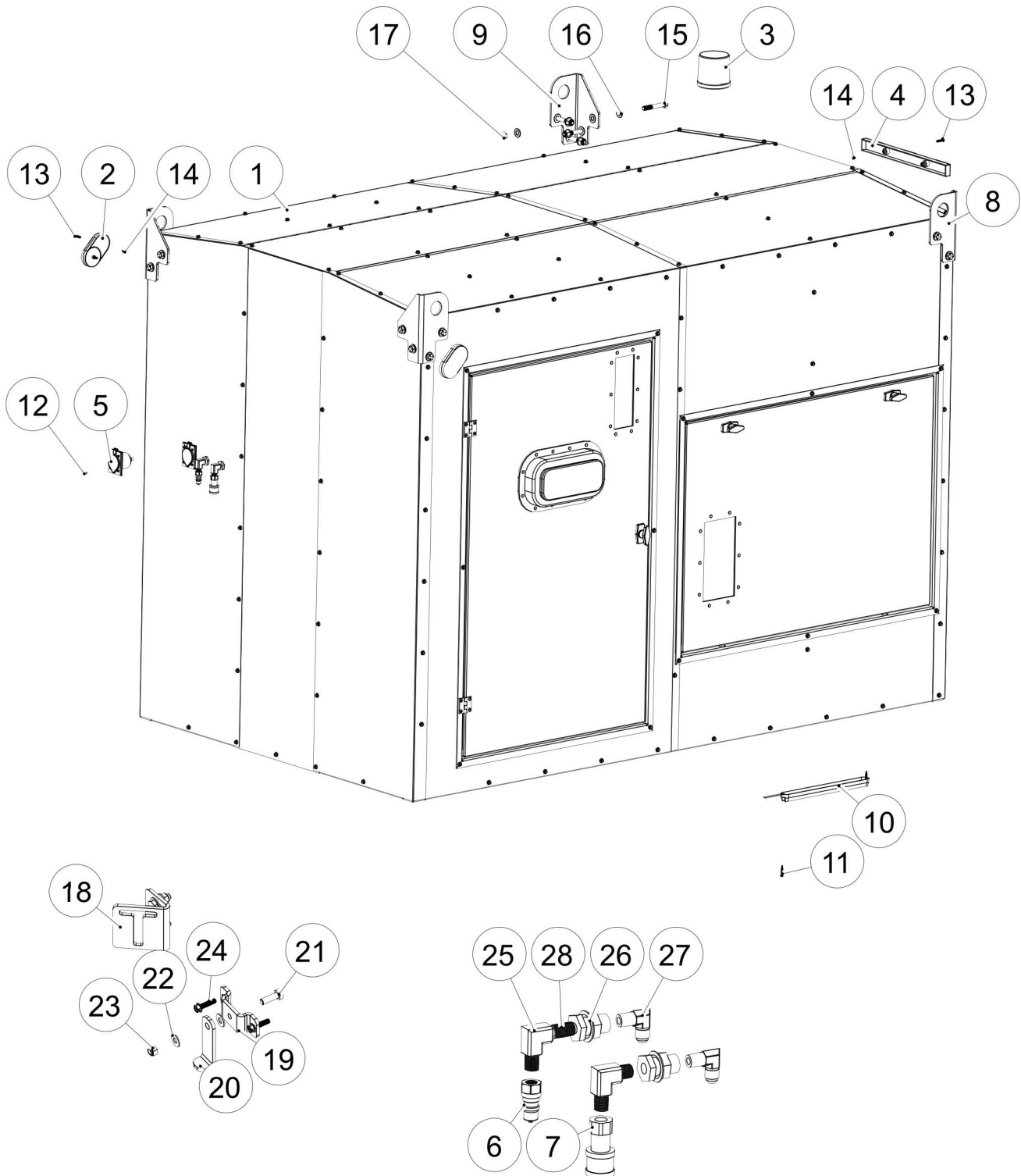




**Central Mobile Enclosure
200 GTS Series
Master Assembly**

S/N: 170301 -
S/N: Current

Item No.	Part No.	Description	Qty.
1		ENCLOSURE - see page 1.1.1	
2		HEAT EXCHANGER - see page 2.1.1	
3		HOSE REEL - see page 3.1.1	
4		MANIFOLD - see page 4.1.1	
5		FUEL TANK - see page 5.1.1	
6		TRAILER - see page 6.1.1	

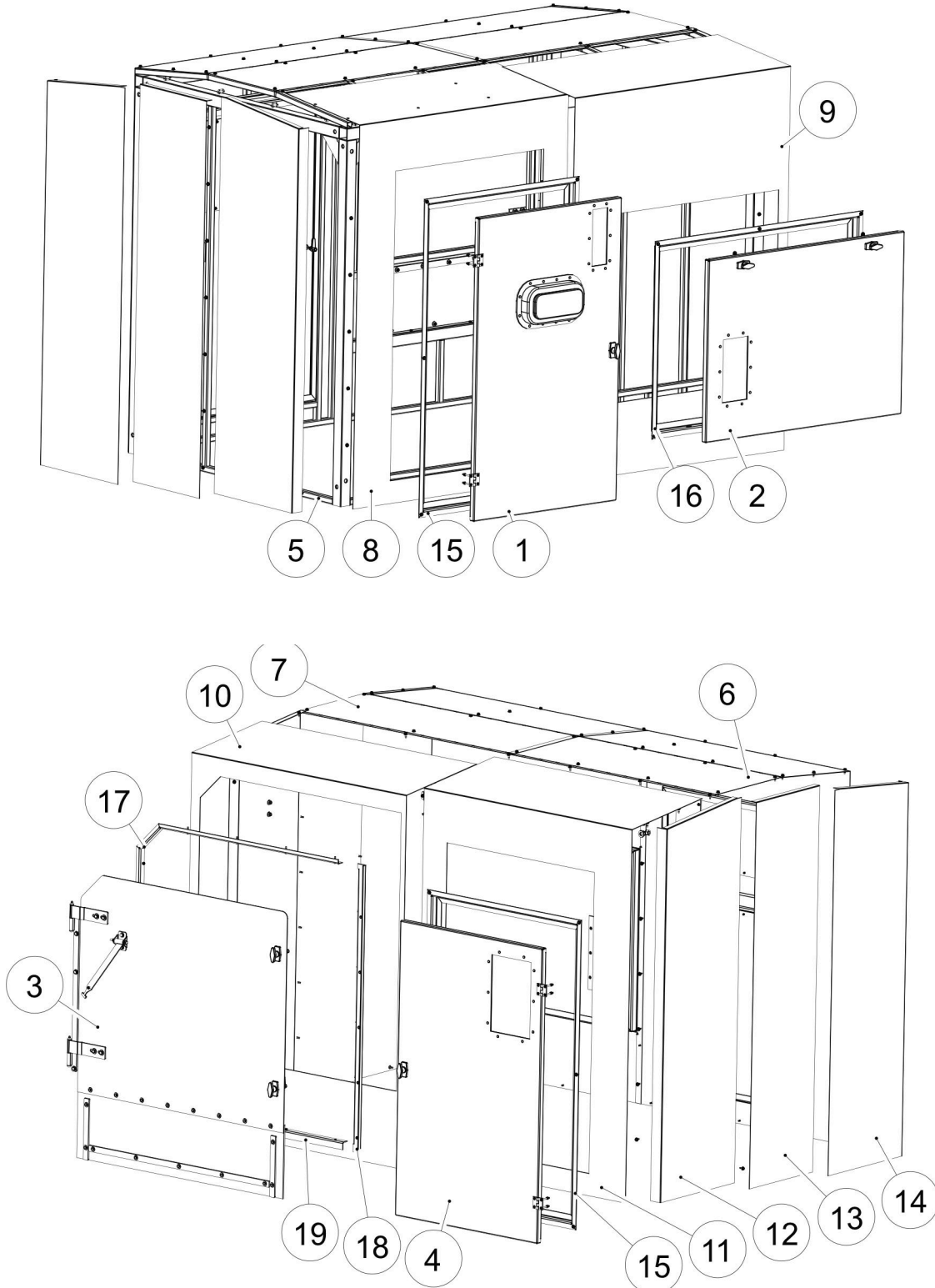




**Central Mobile Enclosure
200 GTS Series
Enclosure Components**

S/N: 170301 -
S/N: Current
PAGE: 1.1.2

Item No.	Part No.	Description	Qty.
1		PANELLING - see page 1.1.3	
2	002-900726	LIGHT CLEARANCE AMBER SURF MT	2
3A	002-900727	LIGHT STROBE GREEN 120V (OBS: USE 002-906924)	1
3B	006-900930	BULB STROBE 129Z <small>Replacement bulb for 002-900727</small>	1
3C	002-906924	LIGHT STROBE LP3T-120G	1
3D	006-906925	LIGHT STROBE BULB LP3T-120G <small>Replacement bulb for 002-906924</small>	1
3E	006-906926	LIGHT STROBE GREEN CVR LP3T-120G <small>Replacement cover for 002-906924</small>	1
3F	006-906927	LIGHT STROBE MNT AND GSKT KIT LP3T-120G <small>Replacement mount and gasken for 002-906924</small>	1
4	002-903029	LIGHT BAR RED 3 LIGHT LED	1
5	002-703611	PLUG PNL MNT WTHPRF 15A 125V	2
6	011-703823	QC NIPL 1/4 STL PLD NPTF	1
7	011-703822	QC CPLR 1/4 STL PLD NPTF	1
8	004-904311	BRKT LEFT CORNER ENCL 200GTS	2
9	004-904312	BRKT RGHT CORNER ENCL 200GTS	2
10	002-900724	LIGHT BAR LED SLIMLITE COURTESY	2
11	001-704113	SCRW D/T #10X1-1/4 PAN HD/SQ SKT DR	4
12	001-900608	SCRW SH MET #6X3/8 PAN HD SQ DR ZINC	8
13	001-702337	SCRW MACH 10-24X1 PANHEAD	6
14	001-700805	NUT LKG 10-24 PLD	6
15	001-904417	BOLT 1/2X3-1/4 PLD GR5	16
16	001-700110	WSHR FLT 1/2 SAE PLD	48
17	001-701606	NUT LKG NYL 1/2 UNC PLD	16
18	004-904373	ANG DOOR HLD BACK 200GTS	1
19	004-904503	MNT ASSY DOOR CATCH 200GTS	1
20	004-904500	TAB DOOR CATCH 3-3/16L 200GTS	1
21	001-700743	BOLT 5/16X1 PLD GR5	3
22	001-700742	WSHR FLT 5/16 PLD	6
23	001-700741	NUT LKG NYL 5/16 UNC PLD	3
24	001-700435	SCRW D/T 1/4-14X1 3/8HEX HD PLD	2
25	011-703792	ELB 1/4X90DEG EXTD BRS NPT	2
26	011-704229	BLKHD 1/2NPTMX1/4NPTF BRS	2
27	011-900604	ADPTR 90ELB 3/8MJIC 37 DEG X 1/4 MPT STL	2
28	011-703824	NIPL 1/4X1(CL) BRS NPT	4
		The following components not shown	
	004-904506	PNL LIGHT DEFLECTOR REAR 22L 200GTS	1
	004-904505	PNL LIGHT DEFLECTOR FRT 16L	1
	001-700629	SCRW D/T 10-16X3/4 5/16HEX HD PLD	4
	018-904548	PKG STEP-DOWN CORD 20A L5-30PX5-20R	1

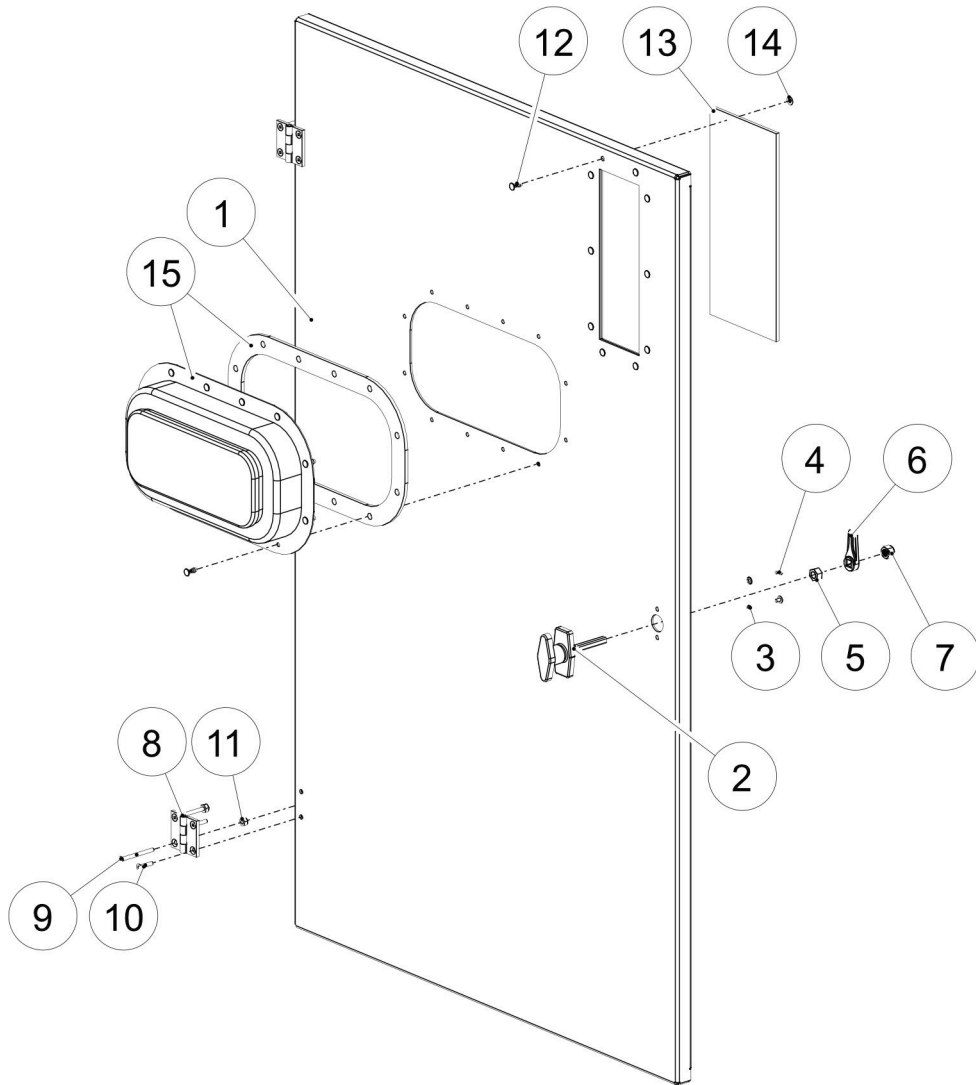




**Central Mobile Enclosure
200 GTS Series
Enclosure Panels**

S/N: 170301 -
S/N: Current
PAGE: 1.1.4

Item No.	Part No.	Description	Qty.
1		PUMP SIDE DOOR - see page 1.1.5	
2		LIFT OUT DOOR - see page 1.1.7	
3		HOSE ACCESS DOOR - see page 1.1.9	
4		CONTROL SIDE DOOR - see page 1.1.11	
5	004-904309	FRAME ENCL 200GTS	1
6	004-904947	PNL ENC FRT TOP 200GTS	1
	004-905239	PNL ENC FRT TOP GRN 200GTS	1
7	004-904948	PNL ENC BACK TOP 200GTS	1
	004-905240	PNL ENC BACK TOP GRN 200GTS	1
8	004-904941	PNL ENC R SIDE FRONT 200GTS	1
	004-905233	PNL ENC R SIDE FRONT GRN 200GTS	1
9	004-904943	PNL ENC R SIDE REAR 200GTS	1
	004-905235	PNL ENC R SIDE REAR GRN 200GTS	1
10	004-904942	PNL ENC L SIDE REAR 200GTS	1
	004-905234	PNL ENC L SIDE REAR GRN 200GTS	1
11	004-904940	PNL ENC L SIDE FRONT 200GTS	1
	004-905232	PNL ENC L SIDE FRONT GRN 200GTS	1
12	004-904944	PNL ENC FRT & BACK L 200GTS	2
	004-905236	PNL ENC FRT & BACK L GRN 200GTS	2
13	004-904945	PNL ENC FRT & BACK CNT 200GTS	2
	004-905237	PNL ENC FRT & BACK CNT GRN 200GTS	2
14	004-904946	PNL ENC FRT & BACK R 200GTS	2
	004-905238	PNL ENC FRT & BACK R GRN 200GTS	2
15	004-904331	ASSY FRAME DOOR 29X48	2
	004-904605	ASSY FRAME DOOR 29X48 200GTS GRN	2
16	004-904337	ASSY FRAME DOOR 29X40 200GTS	1
	004-904604	ASSY FRAME DOOR 29X40 200GTS GRN	1
17	004-904338	ASSY DOOR FRAME TOP-SIDE 200GTS ENCL	1
	004-904611	ASSY DOOR FRAME TOP-SIDE 200GTS ENCL GRN MOD	1
18	004-904335	ANG SIDE DOOR FRAME 200GTS ENCL	1
	004-904609	ANG SIDE DOOR FRAME 200GTS ENCL GRN	1
19	004-904336	ANG BTM DOOR FRAME 200GTS ENCL	1
	004-904610	ANG BTM DOOR FRAME 200GTS ENCL GRN	1

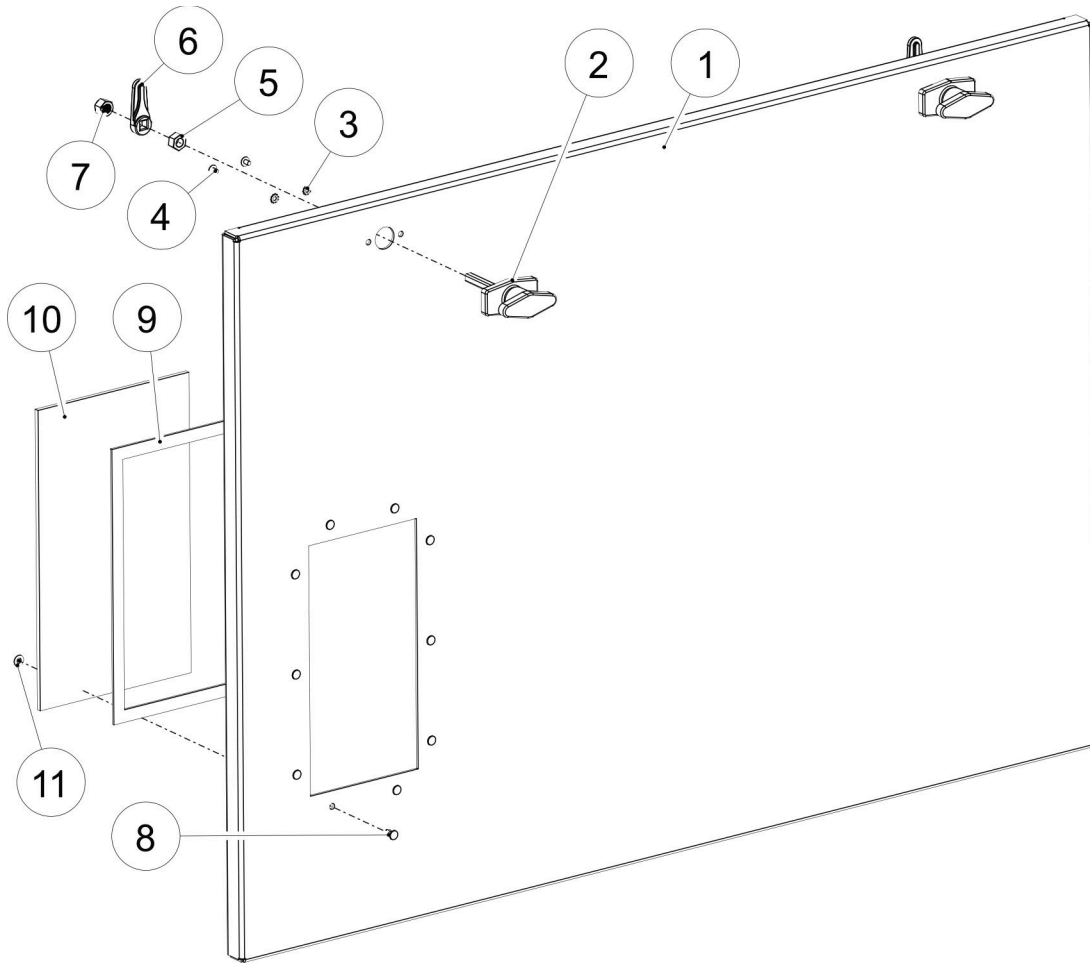




**Central Mobile Enclosure
200 GTS Series
Pump Side Door**

S/N: 170301 -
S/N: Current
PAGE: 1.1.6

Item No.	Part No.	Description	Qty.
	018-904410	ASSY DOOR PUMP SIDE 200GTS ENC (Includes 1-15)	1
	018-904599	ASSY DOOR PUMP SIDE 200GTS ENC GRN (Includes 1-15)	1
	018-905858	PKG HNDL T-LKG CHROME 2.5IN CH751 CW CAM & NUT (Includes 2-7 & Key)	1
1	004-904332	PNL DOOR 29.125X48 CW 3X9 WINDOW	1
	004-904606	PNL DOOR 29.125X48 CW 3X9 WINDOW GRN	1
2	017-904514	HNDL T-LKG CHROME 2.5IN THRD SHAFT CH751 KEY	1
3	001-900778	WSHR STAR #8 STUD EXT TOOTH	2
4	001-900779	SCRW MACH 8-32X1/4 PANHEAD	2
5	001-704695	NUT 3/8-24 UNF	1
6	017-704694	LOCK CAM C15 ZINC	1
7	001-903811	NUT LKG NYL 3/8 UNF 24THRD GR5 PLD	1
8	017-900607	HINGE SURFACE-MT 316 SS POLISHED 2H X 2W	2
9	001-906024	SCRW MACH 10-24X2L FLAT HD SS SQ DR	4
10	001-906025	SCRW MACH 10-24X3/4L FLAT HD SS SQ DR	4
11	001-703910	NUT LKG #10-24 SS UNC	8
12	001-901250	RIVET 3/16D X 1/2GRP ALUM	22
13	004-904415	WINDOW POLY CARB 5X11	1
14	001-703909	WSHR FLT #10 SS	10
15	017-703802	VENT 2-WAY 8INX12IN C/W SCRN & MNT GSKT	1
		The following components not shown	
	009-703960	TAPE 3M VHB-5925 2-SIDED 1/2W	26IN
	009-702597	TAPE SEALANT 1/8THK 3/4W NEOPRENE	134.5IN
	006-904755	KEY CH751 T-LKG HNDL CHROME 4IN	

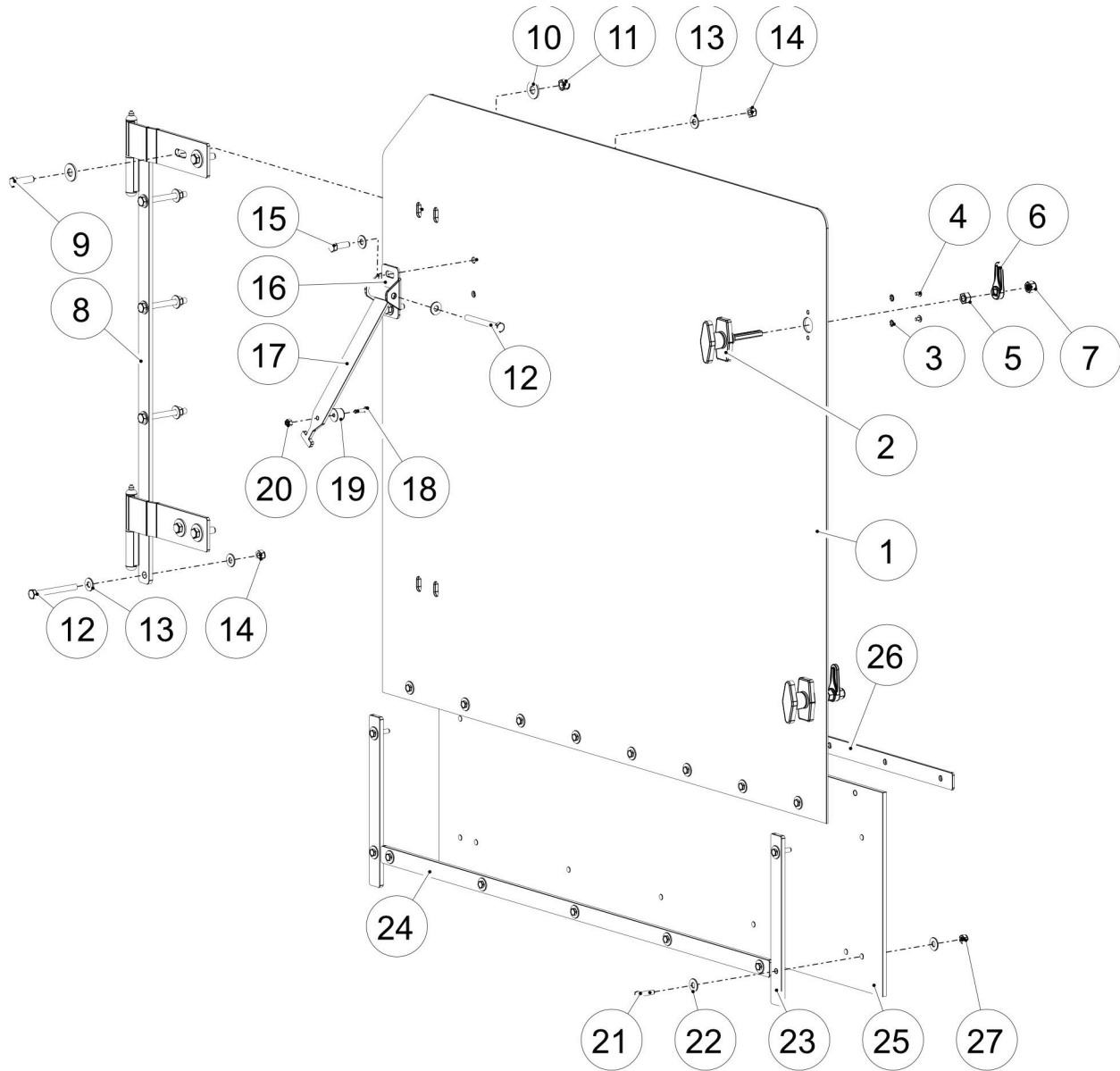




**Central Mobile Enclosure
200 GTS Series
Lift Out Door**

S/N: 170301 -
S/N: Current
PAGE: 1.1.8

Item No.	Part No.	Description	Qty.
	018-904409	ASSY DOOR LIFT OUT 200GTS ENC (Includes 1-11)	1
	018-904601	ASSY DOOR LIFT OUT 200GTS ENC GRN (Includes 1-11)	1
	018-905858	PKG HNDL T-LKG CHROME 2.5IN CH751 CW CAM & NUT (Includes 2-7 & Key)	2
1	004-904334	PNL DOOR 39.75X29 CW 5X10 WINDOW	1
2	017-904514	HNDL T-LKG CHROME 2.5IN THRD SHAFT CH751 KEY	2
3	001-900778	WSHR STAR #8 STUD EXT TOOTH	4
4	001-900779	SCRW MACH 8-32X1/4 PANHEAD	4
5	001-704695	NUT 3/8-24 UNF	2
6	017-704694	LOCK CAM C15 ZINC	2
7	001-903811	NUT LKG NYL 3/8 UNF 24THRD GR5 PLD	2
8	001-702149	RIVET 3/16D X 3/8GRP ALUM	10
9	009-703960	TAPE 3M VHB-5925 2-SIDED 1/2W	32IN
10	004-904414	WINDOW POLY CARB 7X12	1
11	001-703909	WSHR FLT #10 SS	10
		The following components not shown	
	009-702597	TAPE SEALANT 1/8THK 3/4W NEOPRENE	134.5IN
	006-904755	KEY CH751 T-LKG HNDL CHROME 4IN	

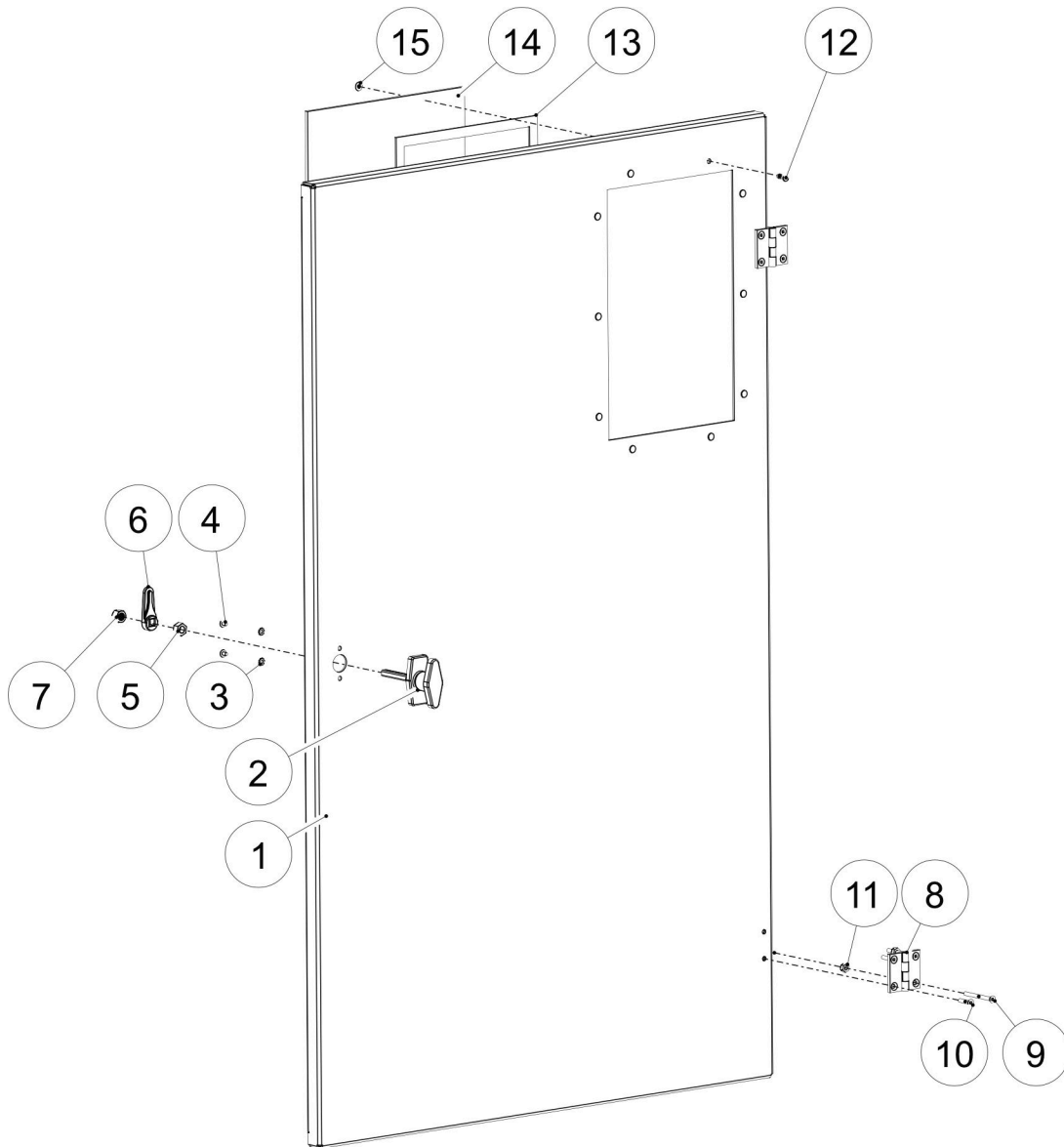




**Central Mobile Enclosure
200 GTS Series
Hose Access Door**

S/N: 170301 -
S/N: Current
PAGE: 1.1.10

Item No.	Part No.	Description	Qty.
	018-904354	ASSY DOOR HOSE ACC 200GTS (Includes 1-7, 9-27)	1
	018-904602	ASSY DOOR HOSE ACC 200GTS GRN (Includes 1-7, 9-27)	1
	018-905858	PKG HNDL T-LKG CHROME 2.5IN CH751 CW CAM & NUT (Includes 2-7)	1
1	004-904394	DOOR HOSE ACC 200GTS	1
	004-904608	DOOR HOSE ACC 200GTS GRN	1
2	017-904514	HNDL T-LKG CHROME 2.5IN THRD SHAFT CH751 KEY	2
3	001-900778	WSHR STAR #8 STUD EXT TOOTH	4
4	001-900779	SCRW MACH 8-32X1/4 PANHEAD	4
5	001-704695	NUT 3/8-24 UNF	2
6	017-704694	LOCK CAM C15 ZINC	2
7	001-903811	NUT LKG NYL 3/8 UNF 24THRD GR5 PLD	2
8	004-904508	ASSY HOSE DOOR HINGE 200GTS	1
9	001-700960	BOLT 3/8X1-1/4 PLD GR5	4
10	001-700719	WSHR FLT 3/8 PLD	8
11	001-700721	NUT LKG NYL 3/8 UNC PLD	4
12	001-700884	BOLT 5/16X3 PLD GR5	7
13	001-700742	WSHR FLT 5/16 PLD	18
14	001-700741	NUT LKG NYL 5/16 UNC PLD	9
15	001-700743	BOLT 5/16X1 PLD GR5	2
16	004-904369	BRKT PVT DOOR HLD BACK 200GTS	1
17	004-904371	HOOK DOOR HLD BACK 200GTS	1
18	001-701484	SCRW MACH 10-24X3/4 PANHEAD	1
19	016-903812	BMPR 3/4 OD X 9/16H CW3/16 RECESSED HOLE	1
20	001-700805	NUT LKG 10-24 PLD	1
21	001-700739	BOLT 1/4X1 PLD GR5	16
22	001-700129	WSHR FLT 1/4 PLD	32
23	004-904521	BAR FLAT 1/4X1 10L CW HOLES	2
24	004-904522	BAR FLAT 1/4X1 36-3/4L CW HOLES	1
25	004-904353	SHT NPRN 12X42X1/4 THK	1
26	004-904504	BAR FLAT 1/8X1 40L CW HOLES	1
27	001-700042	NUT LKG NYL 1/4 UNC PLD	16
		The following components not shown	
	006-904755	KEY CH751 T-LKG HNDL CHROME 4IN	

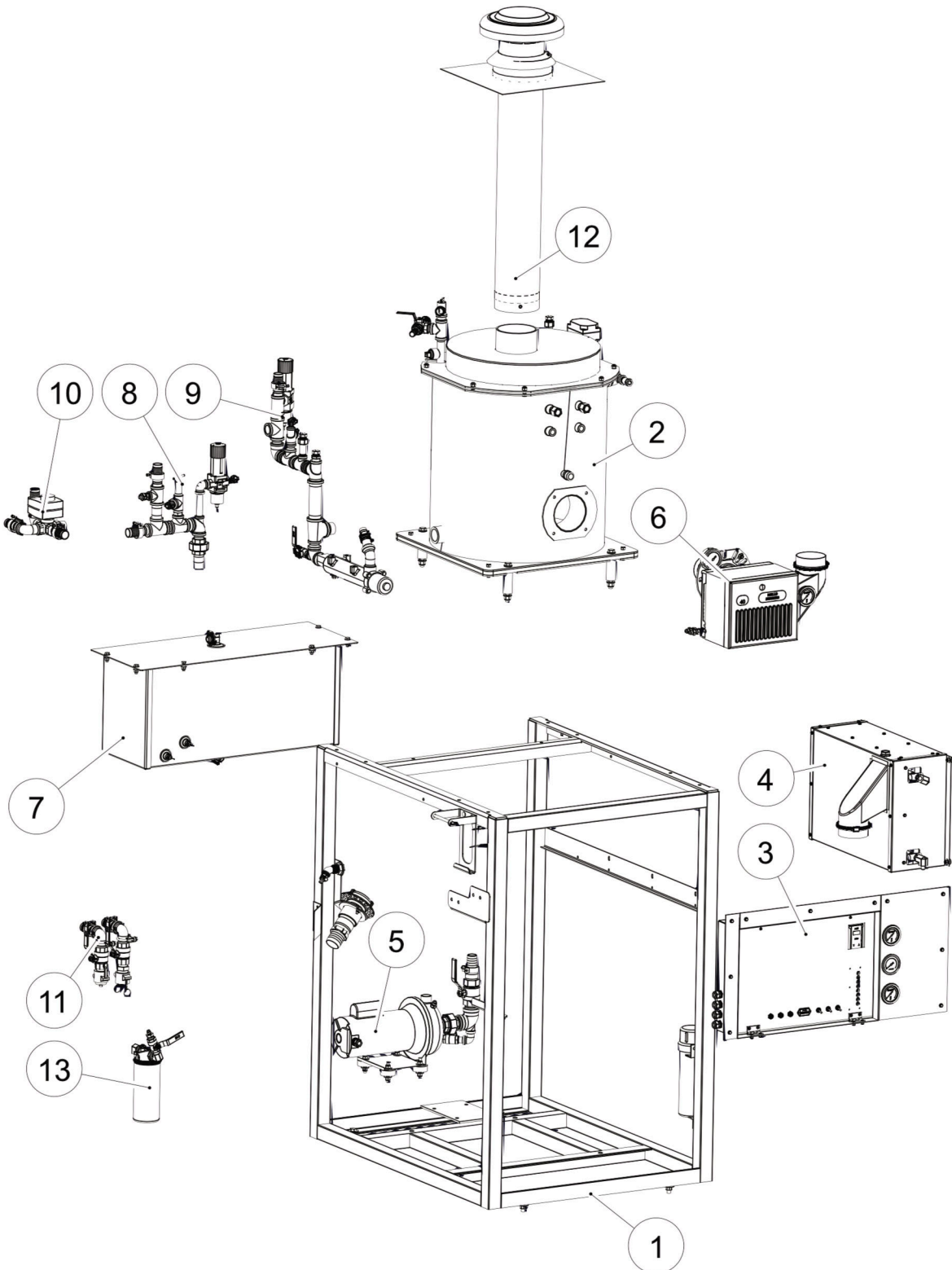




**Central Mobile Enclosure
200 GTS Series
Control Side Door**

S/N: 170301 -
S/N: Current
PAGE: 1.1.12

Item No.	Part No.	Description	Qty.
	018-904411	ASSY DOOR CTRL SIDE 200GTS ENC (Includes 1-15)	1
	018-904600	ASSY DOOR CTRL SIDE 200GTS ENC GRN (Includes 1-15)	1
	018-905858	PKG HNDL T-LKG CHROME 2.5IN CH751 CW CAM & NUT (Includes 2-7))	1
1	004-904333	PNL DOOR 29.125X48 CW 8X12.5 WINDOW	1
	004-904607	PNL DOOR 29.125X48 CW 8X12.5 WINDOW GRN	1
2	017-904514	HNDL T-LKG CHROME 2.5IN THRD SHAFT CH751 KEY	1
3	001-900778	WSHR STAR #8 STUD EXT TOOTH	2
4	001-900779	SCRW MACH 8-32X1/4 PANHEAD	2
5	001-704695	NUT 3/8-24 UNF	1
6	017-704694	LOCK CAM C15 ZINC	1
7	001-903811	NUT LKG NYL 3/8 UNF 24THRD GR5 PLD	1
8	017-900607	HINGE SURFACE-MT 316 SS POLISHED 2H X 2W	2
9	001-906024	SCRW MACH 10-24X2L FLAT HD SS SQ DR	4
10	001-906025	SCRW MACH 10-24X3/4L FLAT HD SS SQ DR	4
11	001-703910	NUT LKG #10-24 SS UNC	8
12	001-901250	RIVET 3/16D X 1/2GRP ALUM	10
13	009-703960	TAPE 3M VHB-5925 2-SIDED 1/2W	43IN
14	004-904416	WINDOW POLY CARB 10X14.5	1
15	001-703909	WSHR FLT #10 SS	10
		The following components not shown	
	009-702597	TAPE SEALANT 1/8THK 3/4W NEOPRENE	151IN
	006-904755	KEY CH751 T-LKG HNDL CHROME 4IN	

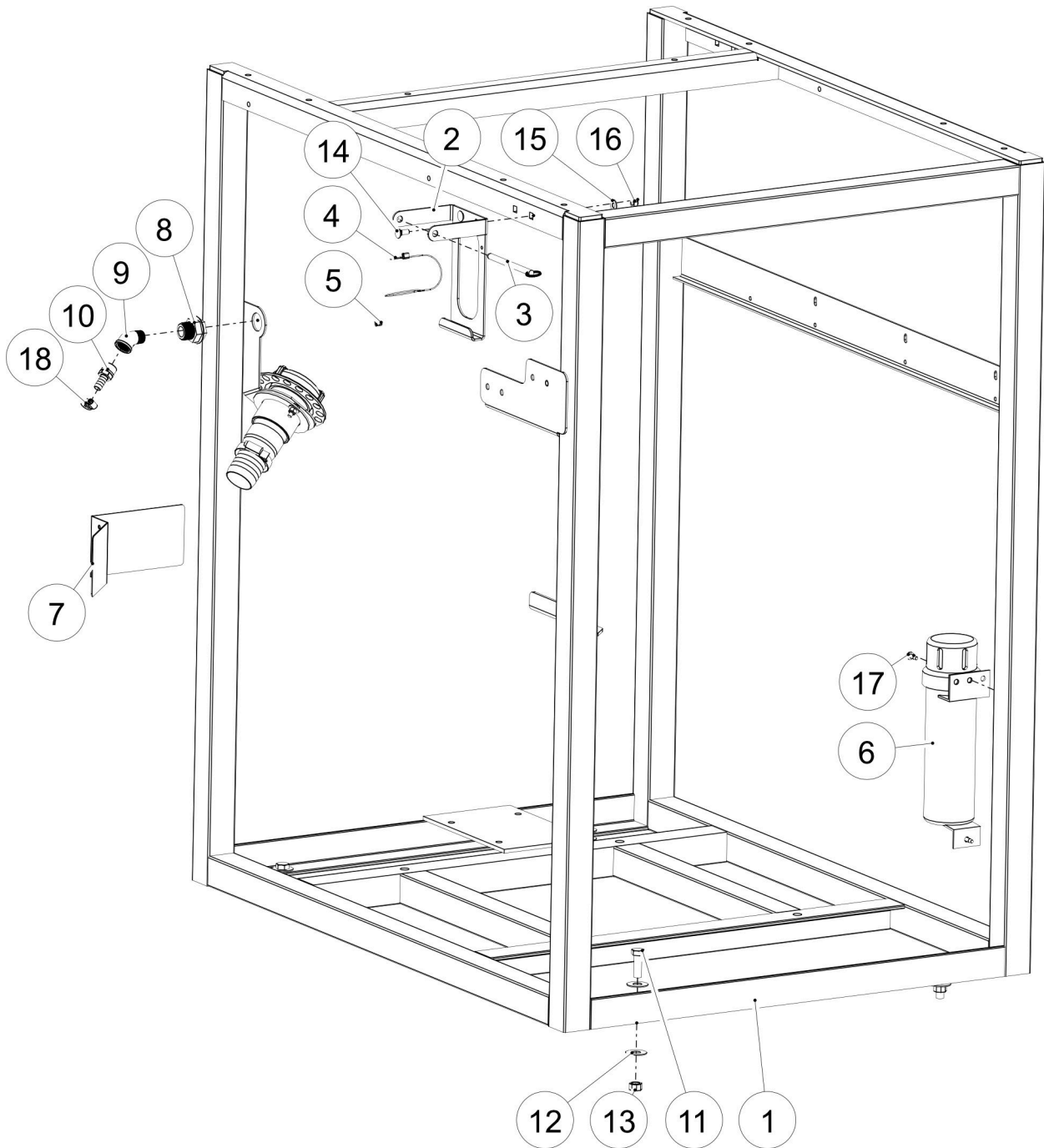




**Central Mobile Enclosure
200 GTS Series
Heat Exchanger**

S/N: 170301 -
S/N: Current
PAGE: 2.1.2

Item No.	Part No.	Description	Qty.
1		FRAME - see page 2.1.3	
2		HEAT EXCHANGER - see page 2.1.5	
3		CONTROL PANEL - see page 2.1.9	
4		AIR AND FUEL PREHEATER - see page 2.1.11	
5		PUMP - see page 2.1.13	
6		BURNER - see page 2.1.17	
7		GLYCOL TANK - see page 2.1.19	
8		SUPPLY PLUMBING - see page 2.1.21	
9		RETURN PLUMBING - see page 2.1.23	
10		FLOW REVERSER - see page 2.1.27	
11		MAIN PLUMBING - see page 2.1.29	
12		CHIMNEY - see page 2.1.31	
13		FUEL FILTER - see page 2.1.33	

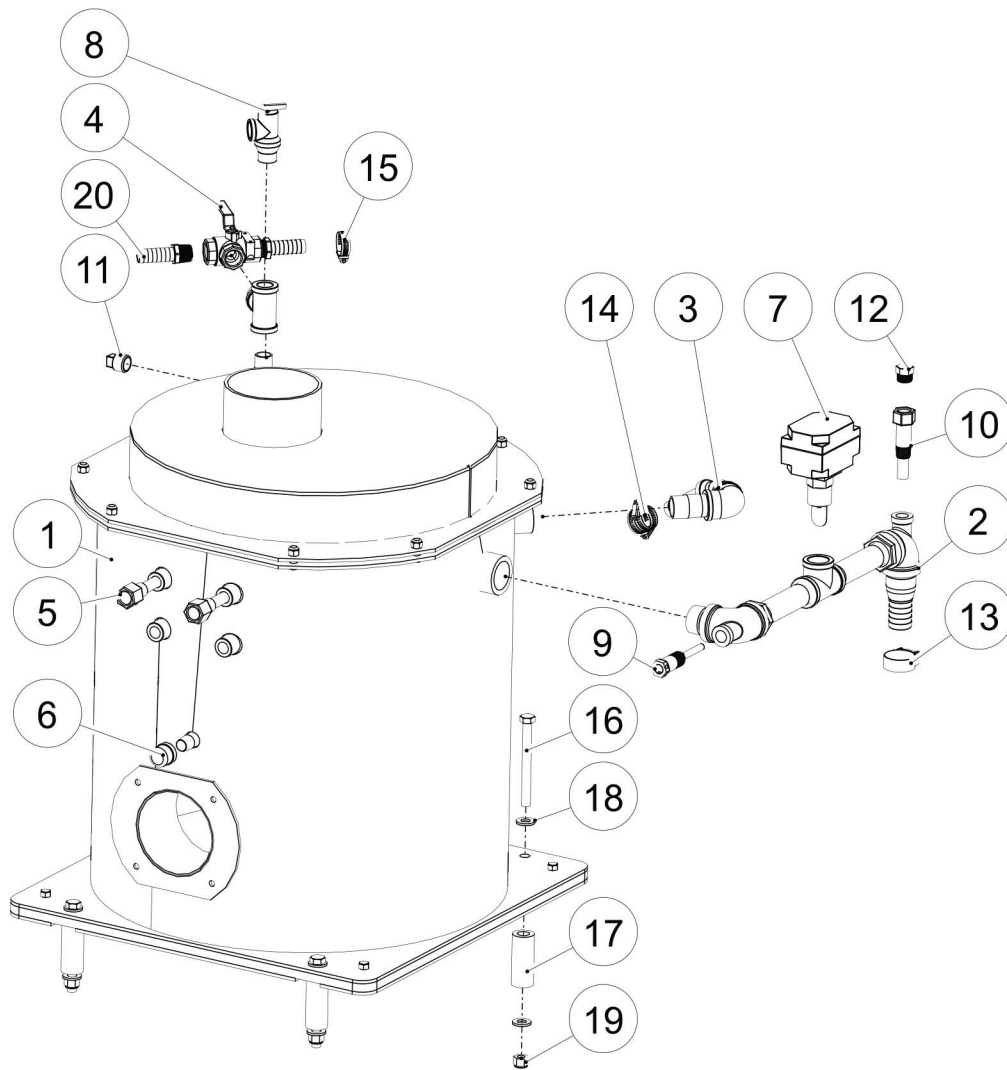




**Central Mobile Enclosure
200 GTS Series
Frame**

S/N: 170301 -
S/N: Current
PAGE: 2.1.4

Item No.	Part No.	Description	Qty.
1	004-904201	FRAME WTR HTR 200GTS	1
2	004-902744	BRKT FOOT PEDAL MNT HRA	1
3	001-902741	PIN QR 3/8X5-1/2L CW RING	1
4	001-700451	CABLE ACFT 7X7 1/16 GALV	6IN
5	001-700450	SLEEVE OVAL 1/16 AL CABLE	2
6	017-902972	CASE OPR MNL TUBULAR	1
7	004-904537	BRKT DECAL FUEL-VENT 200GTS	1
8	011-703047	FTG BHD CPLG BRS 1/2 FPT	1
9	011-903432	ELB ST 1/2X45DEG BRS NPT	1
10	011-702565	NIPL COMB 1/2NPTX1/2HB BRS	1
11	001-700473	BOLT 1/2X1-1/2 PLD GR5	4
12	001-700100	WSHR FLT 1/2 PLT PLD	8
13	001-701606	NUT LKG NYL 1/2 UNC PLD	4
14	001-703307	BOLT CRG 5/16X3/4 UNC PLD GR5	2
15	001-700742	WSHR FLT 5/16 PLD	2
16	001-700741	NUT LKG NYL 5/16 UNC PLD	2
17	001-700093	SCRW D/T 1/4-14X3/4 3/8HEX HD PLD	2
18	001-702340	CLP HOSE HAS8	1

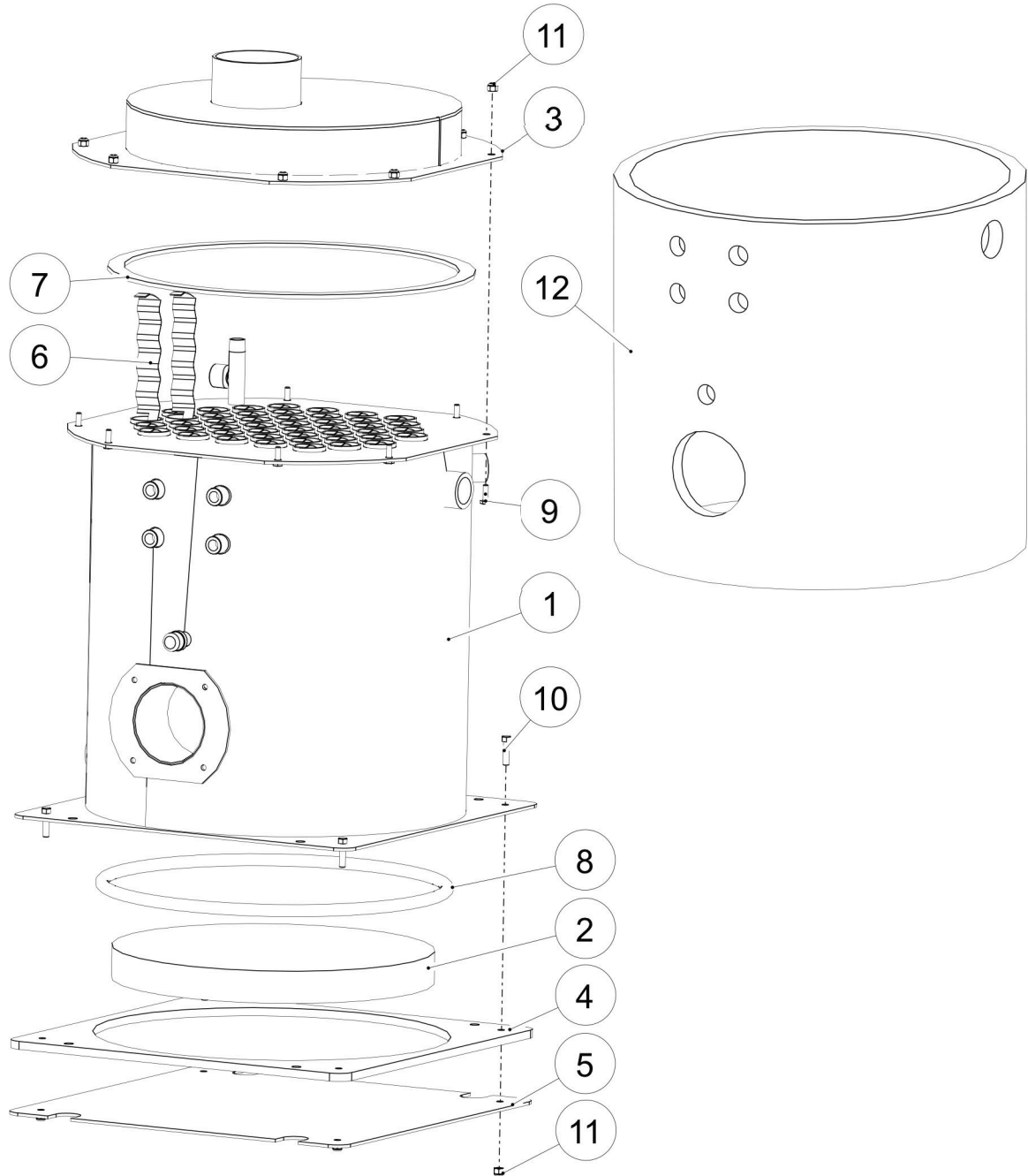




**Central Mobile Enclosure
200 GTS Series
Heat Exchanger**

S/N: 170301 -
S/N: Current
PAGE: 2.1.6

Item No.	Part No.	Description	Qty.
1		HEAT EXCHANGER - see page 2.1.7	
2	018-904262	PKG PLMB HE SPLY 2100-200	1
3	018-904265	PKG PLMB GLY PRE HEAT RTN 2100-200	1
4	011-704483	VLV 3/4NPT 3-WAY BRS	1
5	005-702593	WELL THERM BRS 6-1/4IN .385 BORE 1/2IN NPT	2
6	011-704121	CAP 1/2 NPT MI	1
7	005-904258	SWITCH FLOW F261KAH-V01C 1NPT	1
8	006-703049	VLV SAFETY PRESS RLF 375MBTU 30PSI 3/4MPT	1
9	005-704272	WELL THERM BULB ASSY 1/2IN NPT	1
10	005-900590	WELL THERM BRS 4 IN .385BORE 1/2MPT 1-5/8INSER	1
11	011-702703	PLUG BRS 3/4 NPT SQ HD	1
12	005-702757	NUT SPLIT WELLCAP 3/4FINE THREAD	1
13	001-704669	CLP HOSE HEAVY DUTY 1.57-1.69 RNG (40-43mm)	1
14	001-700275	CLP HOSE HAS16 SLTD HEX HD SS	2
15	001-701890	CLP HOSE 1-1/4 SIZE 12	1
16	001-901105	BOLT 1/2X5 GR8 UNC PLD	4
17	004-904256	DOM 1-1/4ODX11/16ID 3L PNTD BLK	4
18	001-700100	WSHR FLT 1/2 PLT PLD	8
19	001-701606	NUT LKG NYL 1/2 UNC PLD	4
20	011-702701	NIPL COMB 3/4NPTX3/4HB BRS	2

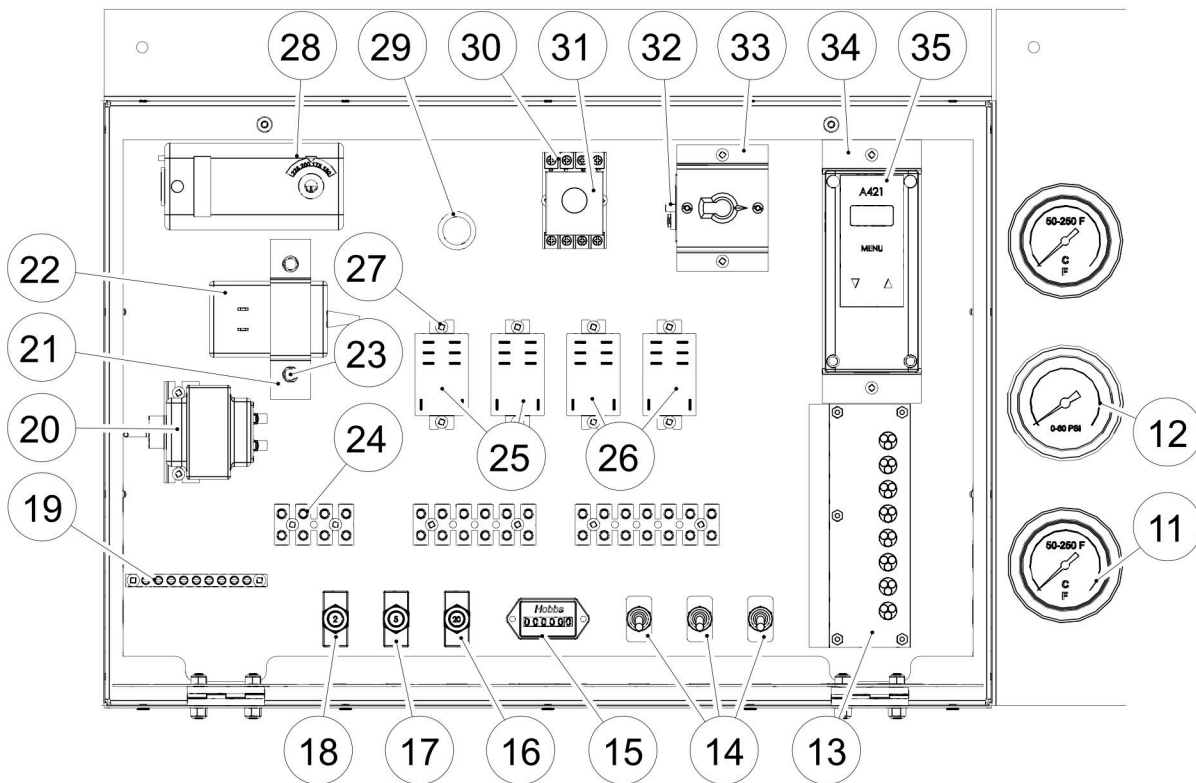
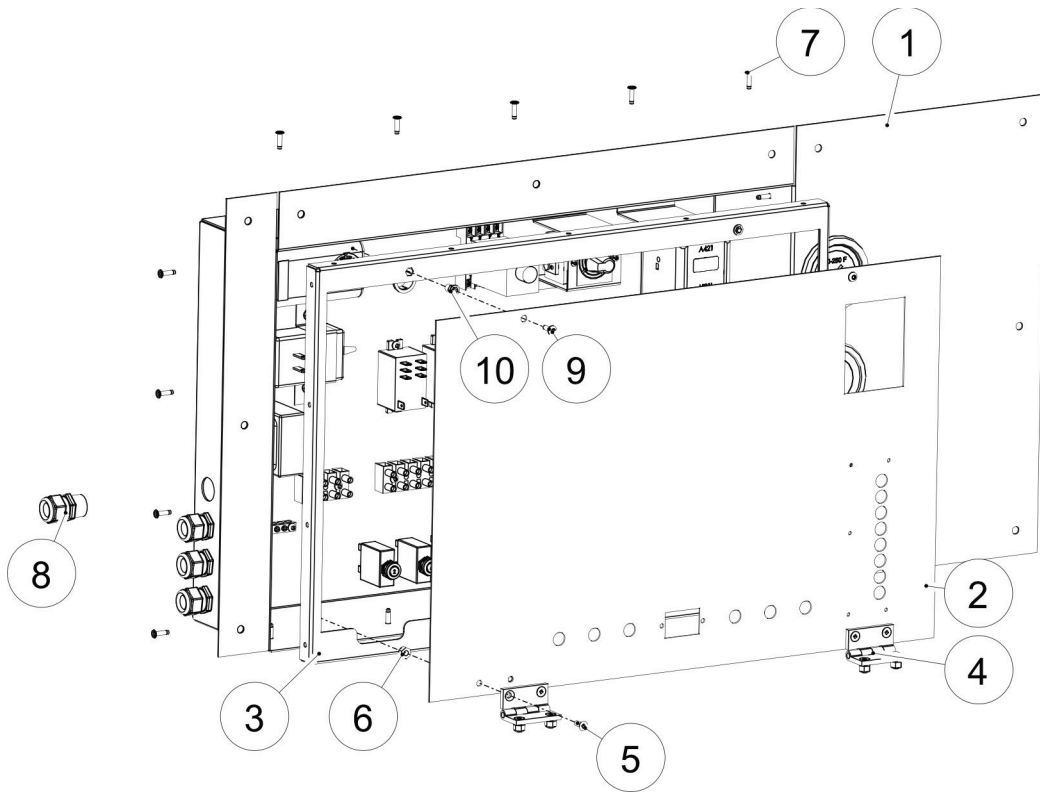




**Central Mobile Enclosure
200 GTS Series
Heat Exchanger**

S/N: 170301 -
S/N: Current
PAGE: 2.1.8

Item No.	Part No.	Description	Qty.
	004-904253	HEAT EXCH FUEL-TO-GLY 2100-200 (Includes 1-12)	1
1	004-903411	WELDMENT HEAT EXCHANGER 2100-0300	1
2	021-704341	INSUL HEAT RESIST 19-7/8IN OD 2IN THK	1
3	004-904254	COV TOP 2100-200 HEAT EXCHANGER	1
4	004-704338	PC 1/2 A36 SPCR BOTTOM HEAT EXCHANGER	1
5	004-704339	PC 3/16 A36 COV BOTTOM HEAT EXCHANGER	1
6	004-903427	BAFFLE SMALL HEAT EXCHANGER	46
7	021-704342 015-903693	GSKT HEAT RESIST 1/4x1 CLKG STV/GSKT CEMENT (2000 DEG F) (Recommended with above)	6FT
8	021-704343 015-903693	GSKT HEAT RESIST 3/4IN DIA CLKG STV/GSKT CEMENT (2000 DEG F) (Recommended with above)	6FT
9	001-700804	BOLT 3/8X1 PLD GR5	8
10	001-700720	BOLT 3/8X1-1/2 PLD GR5	4
11	001-700721	NUT LKG NYL 3/8 UNC PLD	12
12	004-903468	INSUL HEAT EXCHANGER WRAP 2100-0150	1
		The following components not shown	
	001-702508	TAPE FSK 3IN X 150FT	19

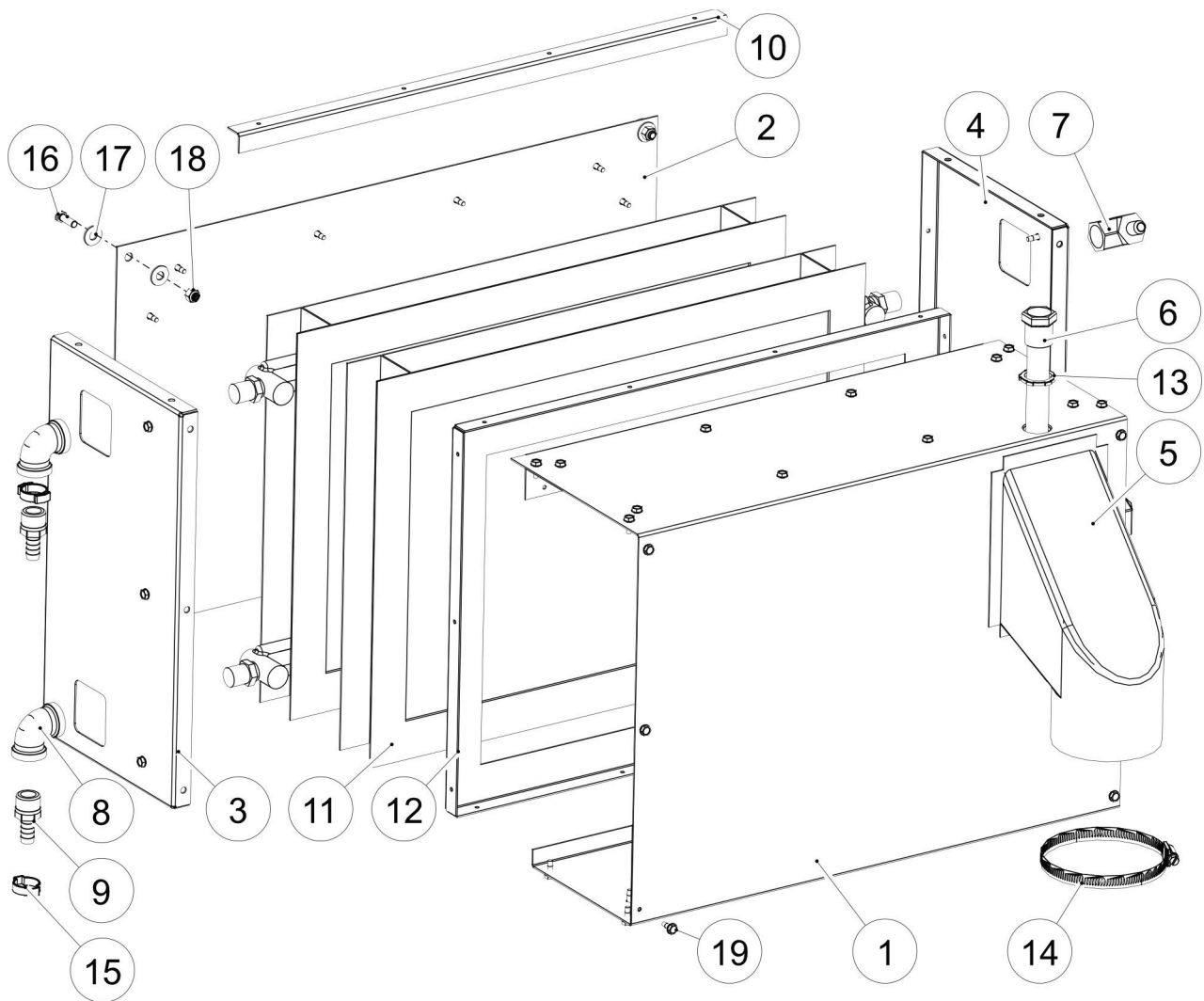




**Central Mobile Enclosure
200 GTS Series
Control Panel**

S/N: 170301 -
S/N: Current
PAGE: 2.1.10

Item No.	Part No.	Description	Qty.
1	004-904277	BOX ELEC ENC 200GTS	1
2	004-904279	PNL CVR CTRL PNL 200GTS	1
3	004-904278	PNL WINDOW ELEC ENC 200GTS	1
4	017-900607	HINGE SURFACE-MT 316 SS POLISHED 2H X 2W	2
5	001-904283	SCRW MACH 10-24X1/2L FLAT HD ZNC SQ DR	8
6	001-700805	NUT LKG 10-24 PLD	8
7	001-701775	RIVET 5/32D GRP1/2	20
8	002-704262	CONN STRN/RLF 1/2 .24-.47 CE/CSA	8
9	001-704515	SCRW MACH 10-24X1/2 SS UNC BTN HD 1/8HEX DR	2
10	001-703564	INSERT THD 10-24 HEX BODY	2
11	005-701073	GAUGE TEMP 60IN CPLRY 40-240DEG F WIKA	2
12	005-703489	GAUGE PRESS 0-60PSI PNL 2-1/2IN WIKA	1
13	005-702514	BOARD LED 6GRN-110V 2RED-24V	1
14	002-703616	SWITCH TGL SPST 20A 125V 1/4 SPADE TERM	3
15	002-703051	METER HOUR 120VAC RECT 2-SCRW	1
16	002-704294	BRKR CKT 20A PUSH TO RESET	1
17	002-904421	BRKR CKT 5A PUSH TO RESET	1
18	002-903711	BRKR CIR 2A SP PUSH TO RESET	1
19	002-900417	BAR GND 9-TERM W-NUTS	1
20	006-701213	XFMR 40VA 120V 60HZ 24V CLASS 2	1
21	004-906027	BRKT MNT 12VDC XFMR FLUSH-MNT 1-15/16 L	1
22	002-903025	XFMR 120VAC/12VDC 2000MA	1
23	001-700629	SCRW D/T 10-16X3/4 5/16HEX HD PLD	2
24	002-903908	TERM STRIP 12POLE .531IN SEP 50A	2
25	002-901417	RELAY 120V DPDT FINDER 66.82	2
26	002-900394	RELAY 24V DPDT 7500VAC NO 2500VAC NC	2
27	001-702775	SCRW SH MET #8X1/2 PAN HD	28
28	005-703464	CONT TEMP JOHNSON (25-225F) SPDT	1
29	002-701115	BSHG KO 1/2	1
30	005-900674	SOCKET 8 PIN DIN/SURFACE MNT SCREW TERM	1
31	005-900673	TIMER ELEC 8 PIN ADJ RCYCL IDEC RTE-P1AF20	1
32A	006-701532	HI-LIMIT G1-11452 (1223)	1
32B	006-904930	KNOB HI LIMIT PLASTIC 1-1/4 HEAD 8-32 SET SCREW	1
33	004-904281	BRKT HI-LIMIT (RANCO)	1
34	004-904280	BRKT RISER A421 CNTRL 200GTS	1
35	005-903333 018-903385	CONT TEMP A421ABC-02C -40 TO 212F (If replacing CONT TEMP A419 (obsolete) use Part No. 018-903385)	1
		The following components not shown	
	011-902115	ADPTR 90ELB #6JICX1/4 FPT STL	1
	005-906611	SNSR TEMP JOHNSON A99BB-200C 6-1/2FT LENGTH Replacement sensor only	1

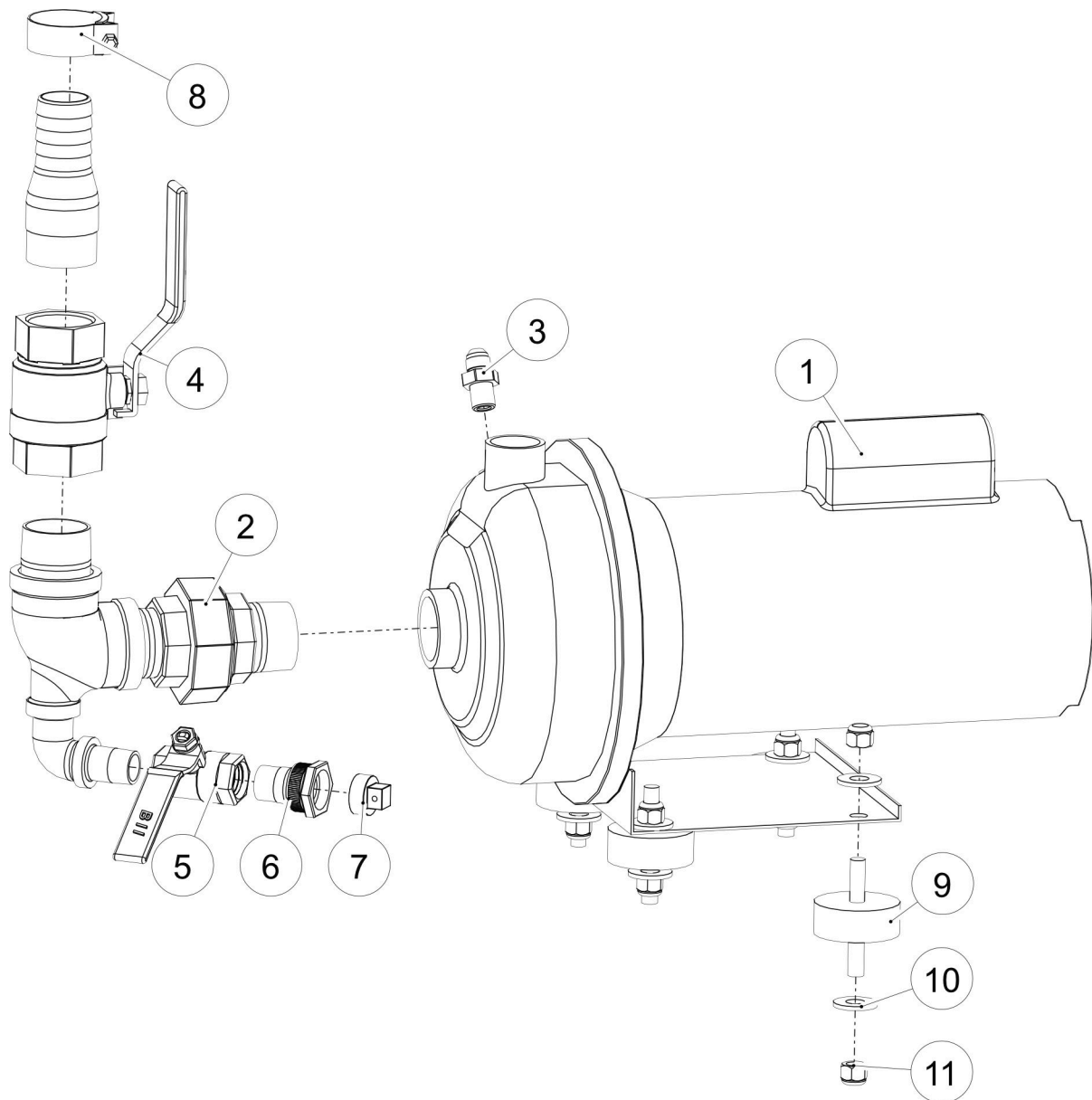




**Central Mobile Enclosure
200 GTS Series
Air & Fuel Preheater**

S/N: 170301 -
S/N: Current
PAGE: 2.1.12

Item No.	Part No.	Description	Qty.
1	004-904267	BODY AIR-FUEL PRE-HTR 200GTS	1
2	004-904272	PNL BACK AIR-FUEL PRE-HTR 200GTS	1
3	004-904268	PNL END LEFT AIR-FUEL PRE-HTR 200GTS	1
4	004-904269	PNL END RGHT AIR-FUEL PRE-HTR 200GTS	1
5	004-901974	DUCT TOP TAKE OFF 4IN	1
6	005-700204	WELL F/AVTA/B 3/4 BRS BULB	1
7	011-901442	ELB #6JICX1/2NPTF	2
8	011-702608	ELB 1/2X90DEG BRS NPTF	2
9	011-702565	NIPL COMB 1/2NPTX1/2HB BRS	2
10	004-904270	ANG COIL RTNR AIR-FUEL PRE-HTR 200GTS	1
11	012-702504	COIL AIR PREHEAT 12X18X2 ROW-8 FPI 1/2IN MPT	2
12	004-904271	PNL WINDOW AIR-FUEL PRE-HTR	1
13	002-701133	LOCKNUT 3/4 STL CONDUIT	2
14	001-901990	CLP HOSE 4IN SLTD HEX HD	1
15	001-702552	CLP 2-EAR #22SS - 1/2ID HOSE	2
16	001-701482	BOLT 1/4X3/4 PLD GR5	4
17	001-700129	WSHR FLT 1/4 PLD	8
18	001-700042	NUT LKG NYL 1/4 UNC PLD	4
19	001-700630	SCRW D/T 10-16X1/2 5/16HEX HD PLD	44

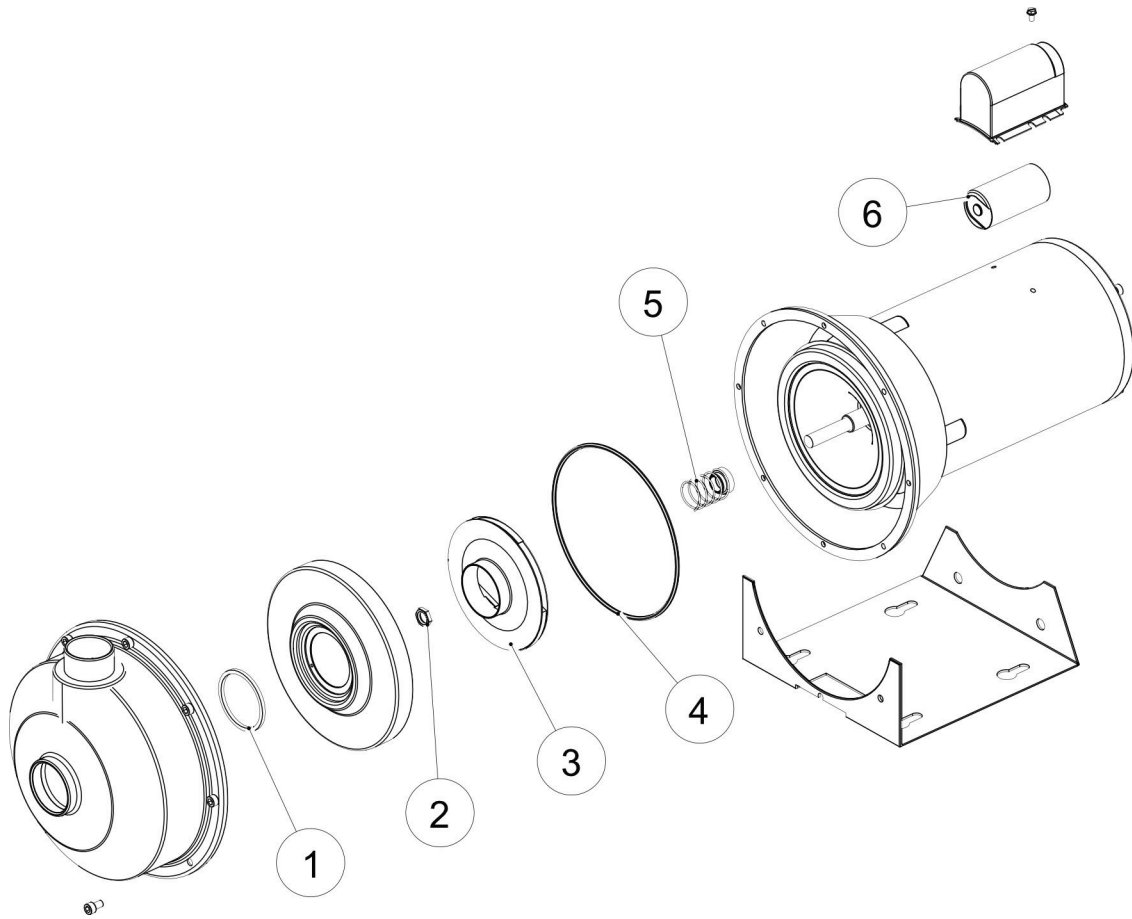




**Central Mobile Enclosure
200 GTS Series
Pump**

S/N: 170301 -
S/N: Current
PAGE: 2.1.14

Item No.	Part No.	Description	Qty.
1	012-800052	PUMP - see page 2.1.15	1
2	018-904260	PKG PLMB PUMP RTN 2100-200	1
3	011-702660	ADPTR 1/4NPT X 9/16JIC 37DEG FLARE	1
4	011-700178	VLV BALL 1-1/4 400WOG FL PT BRS CGA NPTF	1
5	011-700115	VLV BALL 1/2 400WOG STD BRS CGA NPTF	1
6	011-700404	CPLR FEM GARD THD 1/2XSWVL NPTM	1
7	011-704470	PLUG GARDEN HOSE MALE BRS	1
8	001-704669	CLP HOSE HEAVY DUTY 1.57-1.69 RNG (40-43mm)	1
9	001-702461	MNT VIB NEOPRENE 3/8X1 THRD 2IN DIA X 3L	4
10	001-700719	WSHR FLT 3/8 PLD	8
11	001-700721	NUT LKG NYL 3/8 UNC PLD	4





Central Mobile Enclosure 200 GTS Series Pump

S/N: 170301 -
S/N: Current
PAGE: 2.1.16

Item No.	Description	Part No.				
		012-800052 3/4 HP	012-800053 1 HP	012-905311 2 HP	012-800055 2 HP	012-702751 3 HP
1	SEAL RING GUIDEVANE G & L PUMP	006-703027	006-703008			
2	LOCKNUT IMPELLER G & L PUMP	006-703026				
3	IMPELLER G & L PUMP	006-703028	006-703029	006-703007	006-703030	006-703031
4	O-RING CASING G & L PUMP	006-703006				
5	SEAL MECH G & L PUMP	006-703005				
6A	CAPACITOR PUMP GOULDS	006-701171	006-702799	006-701171		006-703468
6B	CAPACITOR RUN PUMP GOULDS CAPACITOR RATING: 60µF 370V					006-906552
6C	CAPACITOR RUN PUMP GOULDS W/ NIDEC MOTOR CAPACITOR RATING: 40µF 370V					006-906922
6D	CAPACITOR START PUMP GOULDS W/ NIDEC MOTOR CAPACITOR RATING: 233-280µF 165V					006-906923
6E	CAPACITOR PUMP GOULDS W/ NIDEC MOTOR CAPACITOR RATING: 189-227µF 110V	006-906943				

REFER TO PUMP MOTOR NAME PLATE EXAMPLES PRIOR TO ORDERING CAPACITORS

NIDEC MOTOR NAME PLATE EXAMPLE

CUST. NO.
E09854885

CAT. NO. MODEL **TG33WCVB-1534** INS **F** AMB **40** °C PH **1** CODE **E**

THERMALLY PROTECTED **AUTO** ENC **ODP** FRAME **56J** DUTY **CONT** DATE CODE _____ PROT. CODE **00240**

60 HZ DATA		50 HZ DATA	
3	HP	3	
3450	RPM	2850	
208-230	VOLTS	220-230	
14.0-13.0	F.L.A.	14.8-15.0	
1.5	S.F.	1.0	
16.0-14.0	S.F.A.	N/A	

MOTOR IS NON-REVERSIBLE
CCW ROTATION SHAFT END
SUPPLY CONNECTIONS USE WIRES COLORED
ON THE BASIS OF 40°C AMBIENT AND
RATED MINIMUM SFC.

CE IP22

SUITABLE FOR FIELD WIRING. USE COPPER CONDUCTORS ONLY

WARNING: MOTOR MUST BE GROUNDED IN ACCORDANCE WITH LOCAL AND NATIONAL ELECTRIC CODES. COMPONENT COVER MUST BE IN PLACE BEFORE OPERATING TO PREVENT ELECTRICAL SHOCK OR INJURY

WEG, BLUFFTON MOTOR NAME PLATE EXAMPLE

MAT 1530627
SERIAL 107319461

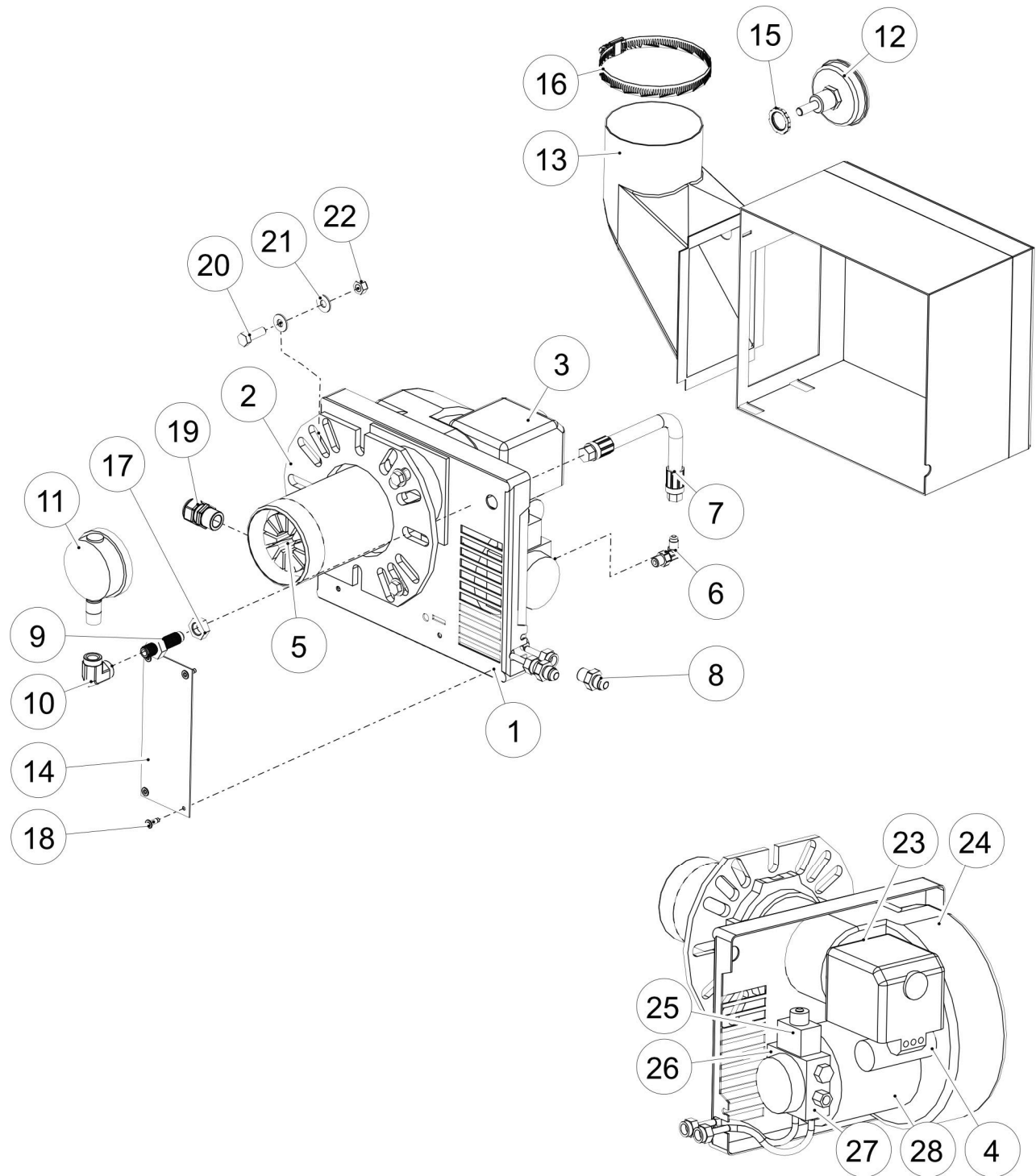
HZ 60	HZ 50
V 115/208-230 V	V 115/230 V
HP 0.75	HP 0.75
RPM 3450	RPM 2875
FLA 9.2/4.6-4.6	FLA 12.2/6.1
SF 1.5	SF 1.00
SFA 12.0/6.5-6.0	SFA _____
FR 56J	PH 1
INS B	THRU U
ENC DP	COOL J
CONT (S1)	AMB 40°C
INS B	
ENC DP	

DSN 22H0111 8 CERT ID 4103007456

WARNING: Always disconnect motor from power supply before servicing. Fatal shock may result if motor frame and adjacent metal are not grounded in compliance with electrical code.

THERMALLY PROTECTED AUTOMATIC RESET: Motor will restart without warning after protector trips. Do not install this motor on equipment where automatic startup could result in injury.

SUITABLE FOR FIELD WIRING. USE COPPER CONDUCTORS ONLY

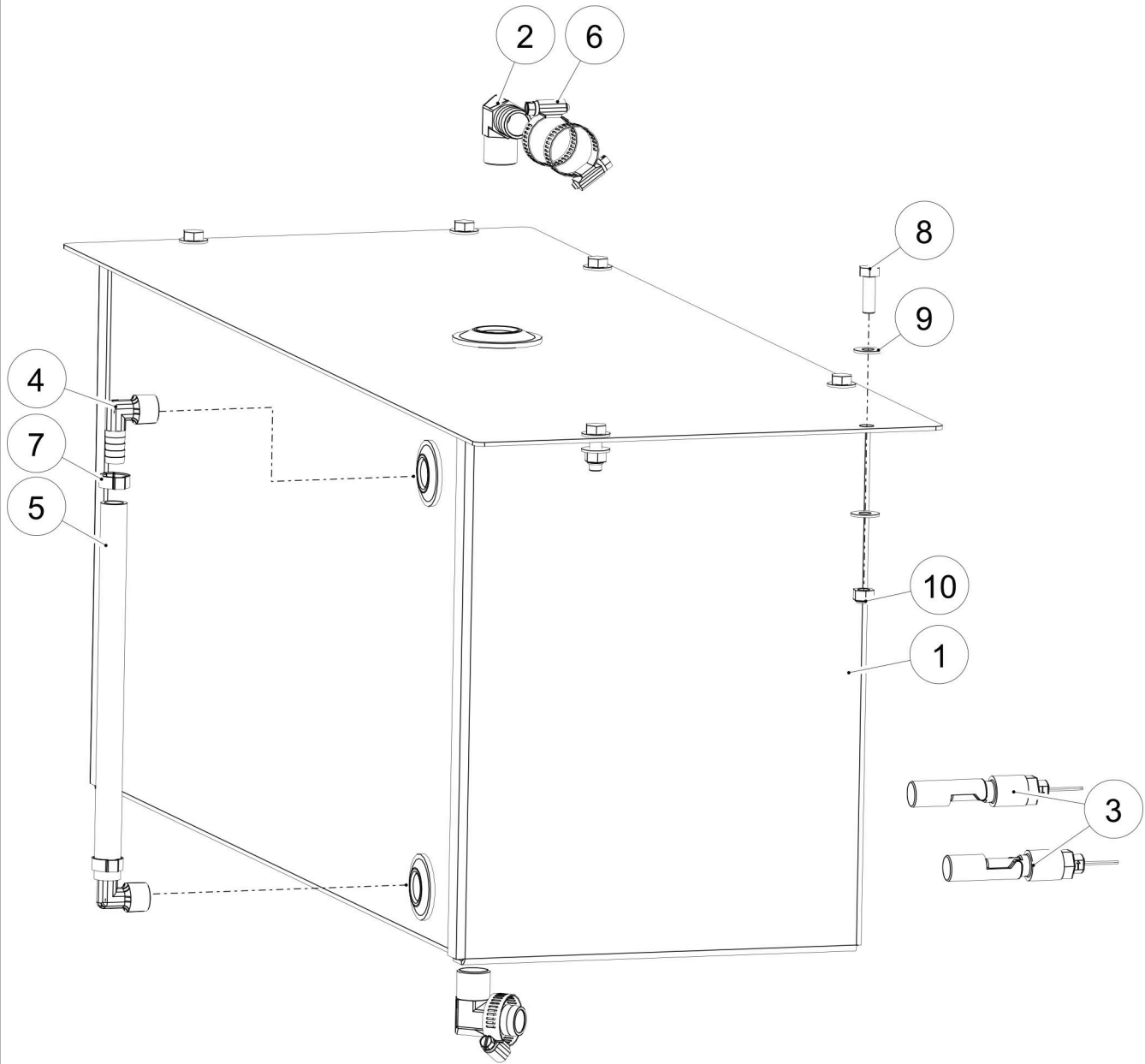




**Central Mobile Enclosure
200 GTS Series
Burner**

S/N: 170301 -
S/N: Current
PAGE: 2.1.18

Item No.	Part No.	Description	Qty.
	018-904274	PKG BURNER RIELLO F5 FUEL OIL (Includes 1-28)	1
1	012-904257	BURNER RIELLO 40-F5 FUEL OIL	1
	006-906362	CVR RIELLO F5 BURNER	1
2	006-904590	GSKT MNT RIELLO 40-F5	1
3	006-702790	CNTRL PRIMARY RIELLO 40 F5/F20	1
4	006-902849	CAPACITOR 12.5 UF RIELLO F10	1
5	011-904275	NOZZLE OIL BNR A 1.20X60DEG	1
6	011-702798	ADPTR 90DEG 1/8BSPP X 7/16JIC 37DEG FLARE	1
7	004-704661	FUEL LINE 1/4X10IN #6/#4JICF 37DEG STR SWVL	1
8	011-702660	ADPTR 1/4NPT X 9/16JIC 37DEG FLARE	2
9	011-703015	ADPTR BHD 1/4NPTX9/16JIC 37DEG FLARE	1
10	011-703016	ELB 1/4X90DEG PLD STEEL NPT	1
11	005-702511	GAUGE PRESS 0-300 PSI 1/4NPT LWR CONN	1
12	005-700122	GAUGE TEMP 1/2MNPT BIMETAL 0-250F	1
13	004-901974	DUCT TOP TAKE OFF 4IN	1
14	004-904313	PLT 16GAX2-3/4X6-3/4	1
15	002-701131	LOCKNUT 1/2 STL CONDUIT	1
16	001-901990	CLP HOSE 4IN SLTD HEX HD	1
17	011-703015	ADPTR BHD 1/4NPTX9/16JIC 37DEG FLARE	1
18	001-700803	RIVET 5/32 GRP .3125-.375 SS	4
19	002-704262	CONN STRN/RLF 1/2 .24-.47 CE/CSA	1
20	001-700743	BOLT 5/16X1 PLD GR5	4
21	001-700742	WSHR FLT 5/16 PLD	8
22	001-700741	NUT LKG NYL 5/16 UNC PLD	4
23	006-902850	ELECTRODE ASSY 5IN RIELLO 40-F10	1
24	006-902845	FAN RIELLO F10	1
25	006-702785	COIL OIL VLV RIELLO 40-F5/F20	1
26	006-702793	PUMP RIELLO 40-F5/F15	1
27	006-702792	KEY PUMP DRIVE RIELLO 40-F5/F20	1
28	006-902847	MOTOR RIELLO F10	1
		The following components not shown	
	006-904589	ELECTRODE ASSY 6IN RIELLO 40-F5	1
	006-904538	KIT PREHEATED NOZZLE LINE RIELLO F5	1
	006-702788	PHOTOCELL RIELLO 40-F5/F20	1
	006-903842	PKG SERVICE RIELLO 40-F5/F10 FUEL OIL	1

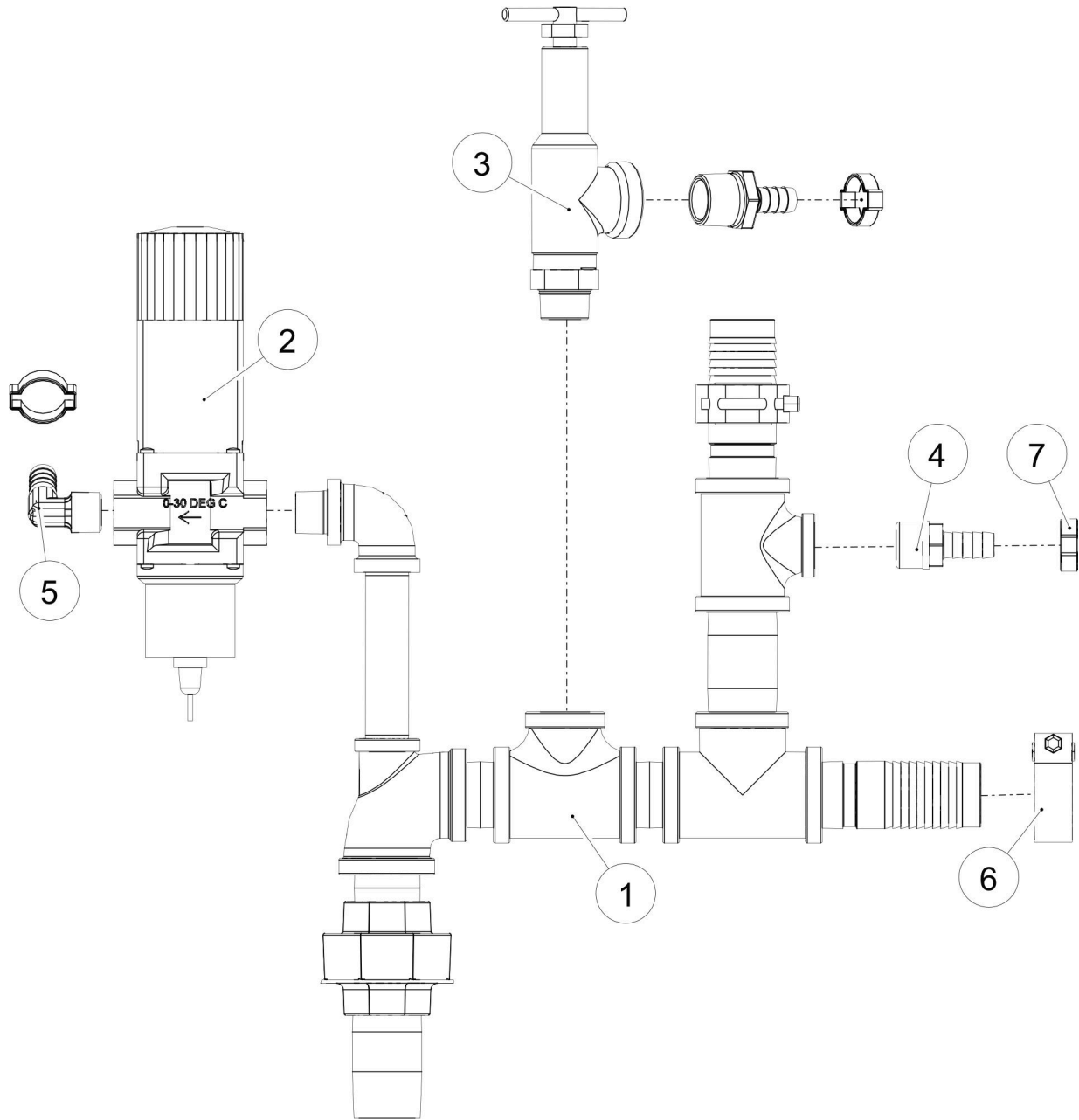




**Central Mobile Enclosure
200 GTS Series
Glycol Tank**

S/N: 170301 -
S/N: Current
PAGE: 2.1.20

Item No.	Part No.	Description	Qty.
1	004-904284	TANK GLY 200GTS	1
2	011-704084	NIPL COMB 3/4NPTX3/4HB 90DEG BRS	2
3	002-702012	SW-FLOAT FSH-31	2
4	011-704699	NIPL COMB 1/2NPTX1/2HB 90DEG BRS	2
5	016-900748	TUBING CLEAR 1/2ID VINYL	0.83FT
6	001-701890	CLP HOSE 1-1/4 SIZE 12	3
7	001-702551	CLP 2-EAR #18SS - 3/8ID HOSE	2
8	001-700743	BOLT 5/16X1 PLD GR5	5
9	001-700742	WSHR FLT 5/16 PLD	10
10	001-700741	NUT LKG NYL 5/16 UNC PLD	5

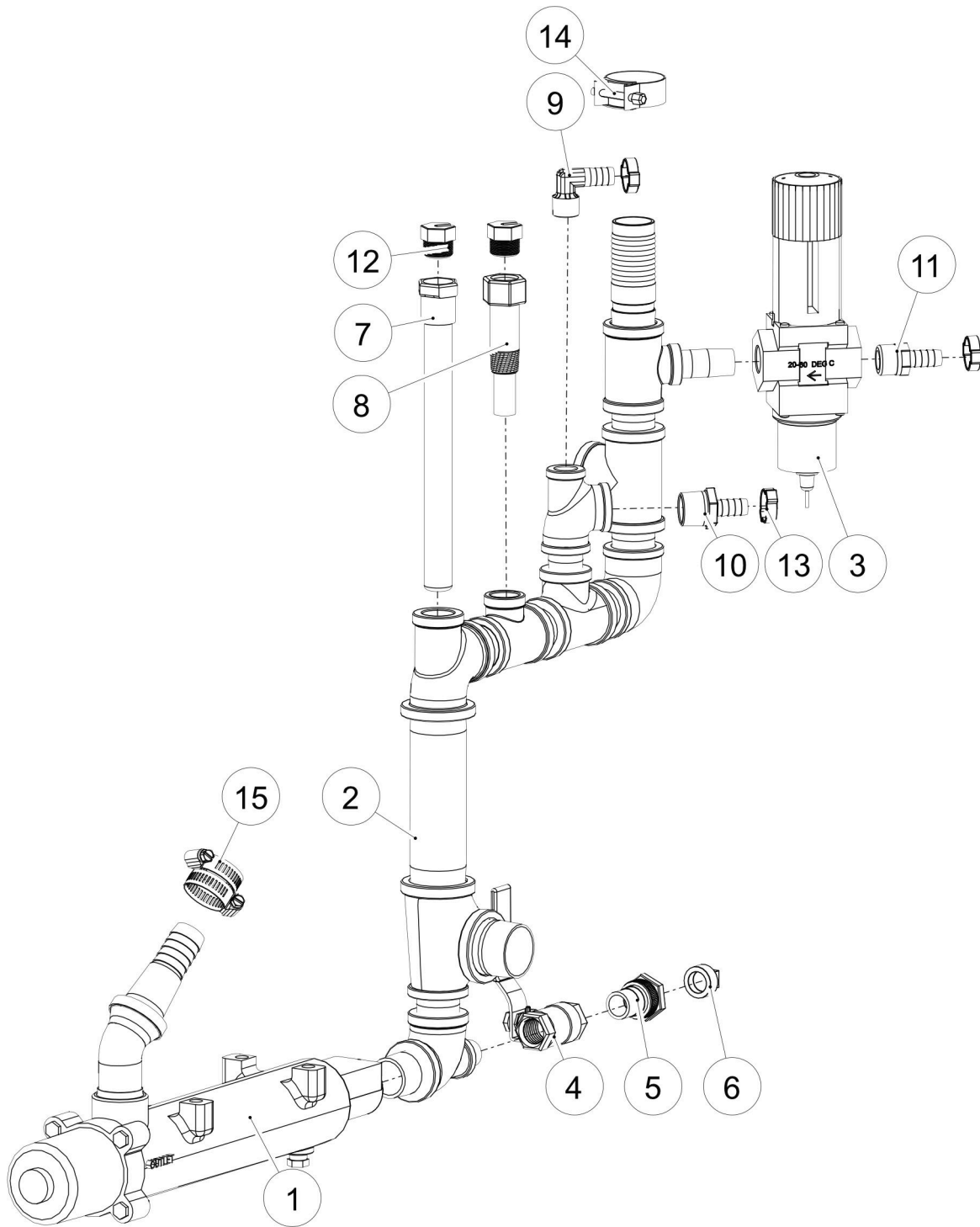




**Central Mobile Enclosure
200 GTS Series
Supply Plumbing**

S/N: 170301 -
S/N: Current
PAGE: 2.1.22

Item No.	Part No.	Description	Qty.
1	018-904259	PKG PLMB PUMP SPLY 2100-200	1
2	005-702505	VLV DANFOSS 1/2IN AVTB 15 0-30 DEG C TEMP RNG	1
3	005-700121	VLV BYPASS PRESS RLF 3/4 BRS	1
4	011-702565	NIPL COMB 1/2NPTX1/2HB BRS	2
5	011-704699	NIPL COMB 1/2NPTX1/2HB 90DEG BRS	1
6	001-704669	CLP HOSE HEAVY DUTY 1.57-1.69 RNG (40-43mm)	2
7	001-702552	CLP 2-EAR #22SS - 1/2ID HOSE	3

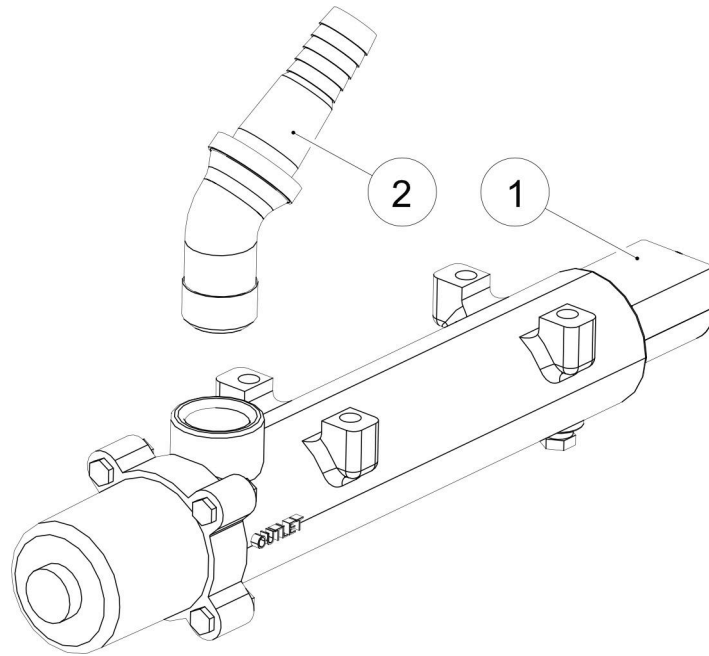




**Central Mobile Enclosure
200 GTS Series
Return Plumbing**

S/N: 170301 -
S/N: Current
PAGE: 2.1.24

Item No.	Part No.	Description	Qty.
1		GLYCOL PREHEATER - see page 2.1.25	
2	018-904263	PKG PLMB HE RTN 2100-200	1
3	005-702506	VLV DANFOSS 1/2IN AVTB 15 20-60 DEG C TEMP RNG	1
4	011-700115	VLV BALL 1/2 400WOG STD BRS CGA NPTF	1
5	011-700404	CPLR FEM GARD THD 1/2XSWVL NPTM	1
6	011-704470	PLUG GARDEN HOSE MALE BRS	1
7	005-700204	WELL F/AVTA/B 3/4 BRS BULB	1
8	005-900590	WELL THERM BRS 4 IN .385BORE 1/2MPT 1-5/8INSER	1
9	011-704699	NIPL COMB 1/2NPTX1/2HB 90DEG BRS	1
10	011-702564	NIPL COMB 3/4NPTX1/2HB BRS	1
11	011-702565	NIPL COMB 1/2NPTX1/2HB BRS	1
12	005-702757	NUT SPLIT WELLCAP 3/4FINE THREAD	2
13	001-702552	CLP 2-EAR #22SS - 1/2ID HOSE	3
14	001-704669	CLP HOSE HEAVY DUTY 1.57-1.69 RNG (40-43mm)	1
15	001-700275	CLP HOSE HAS16 SLTD HEX HD SS	2

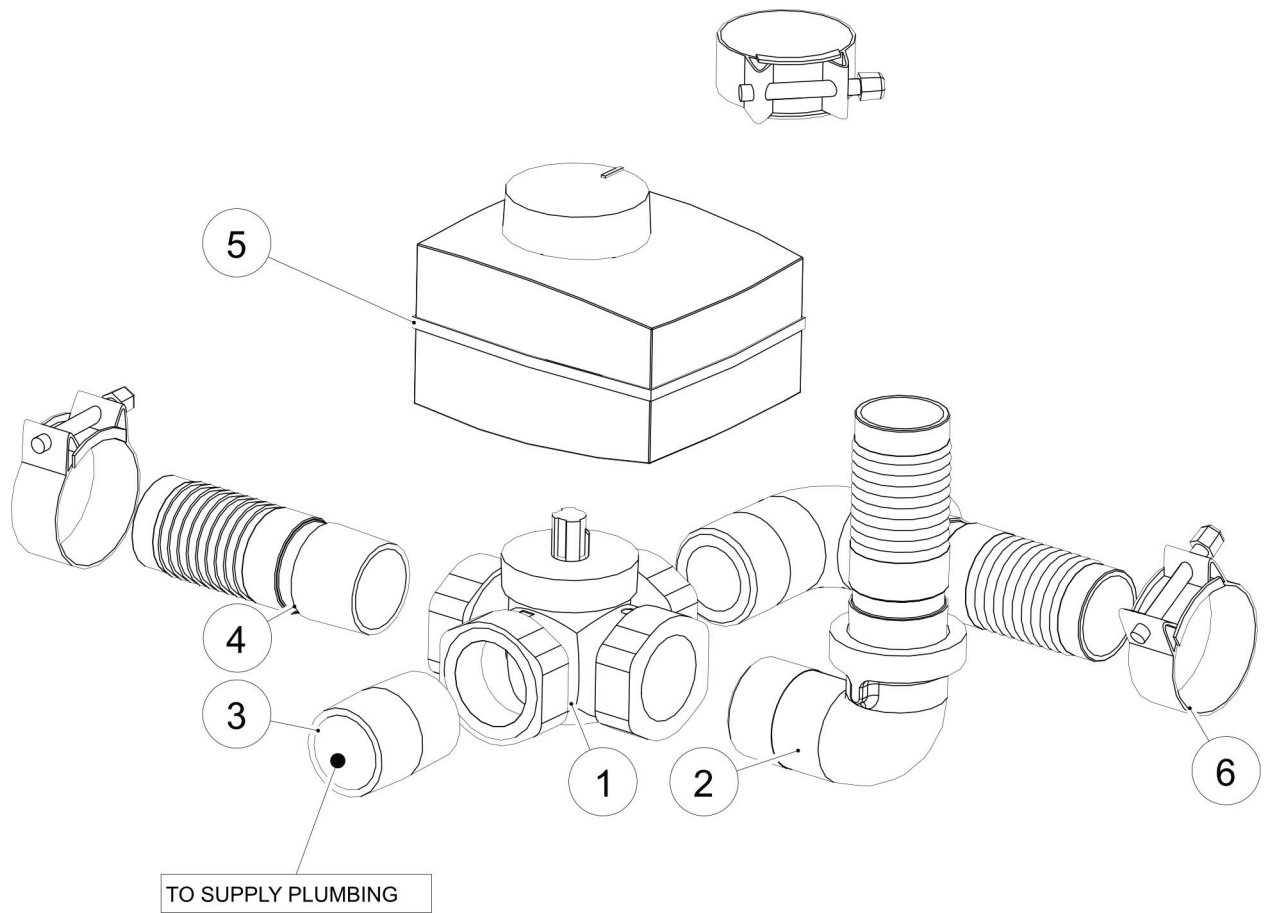




**Central Mobile Enclosure
200 GTS Series
Glycol Preheater**

S/N: 170301 -
S/N: Current
PAGE: 2.1.26

Item No.	Part No.	Description	Qty.
1	012-900791	HEATER CRCLT 1500W 120V	1
2	018-703057	PKG PLMB PUMP OUTLET MOD 2000-0250	1
		The following components may not be shown	
	006-902213	ELEMENT HEATER CRCLT 1500W 120V	1

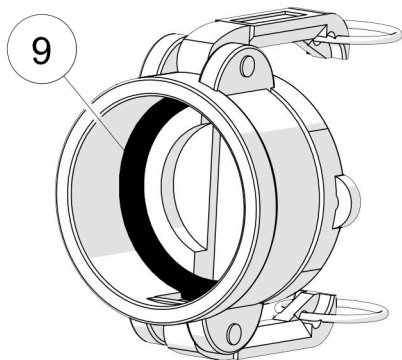
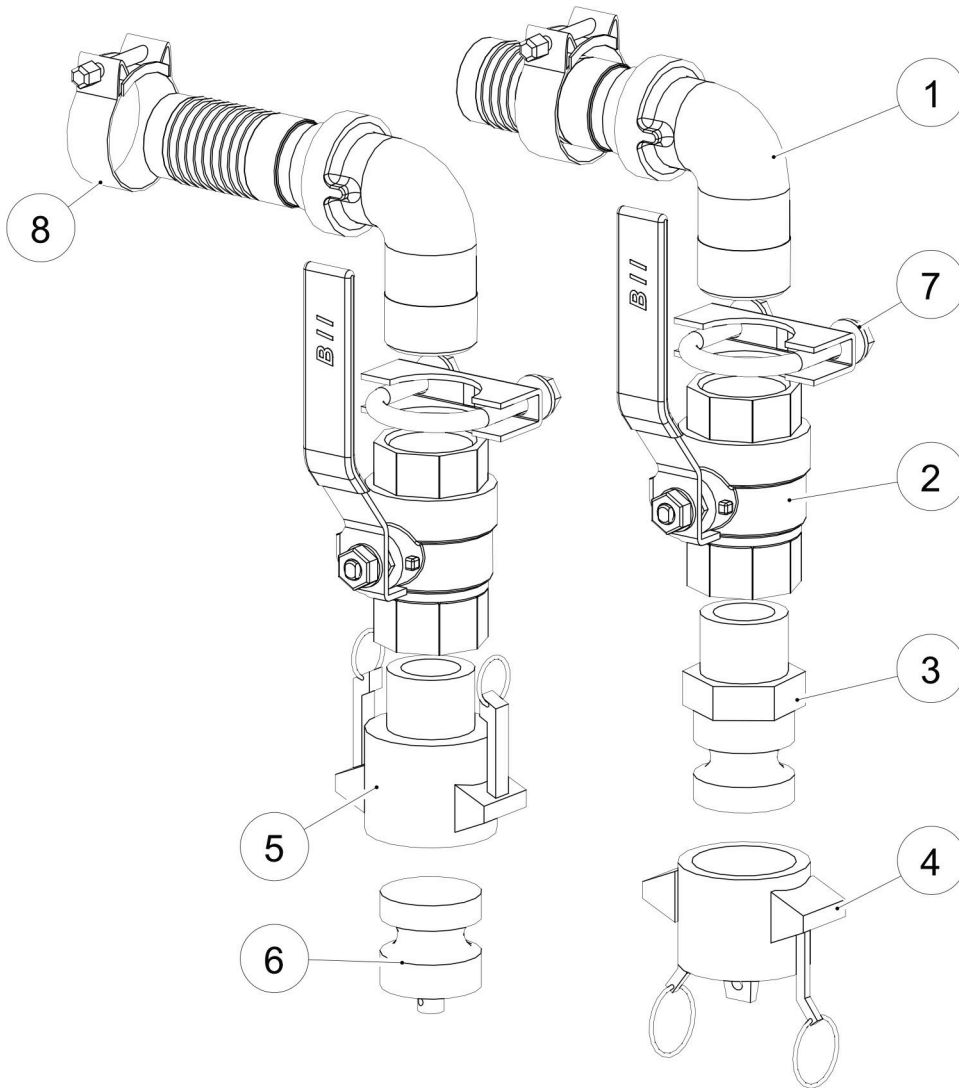




**Central Mobile Enclosure
200 GTS Series
Flow Reverser**

S/N: 170301 -
S/N: Current
PAGE: 2.1.28

Item No.	Part No.	Description	Qty.
1	005-904498	VLV 1 INCH 4-WAY ESBE	1
2	018-904290	PKG PLMB BLK 1X90 ELB ST-1X1-1/4 NIPL COMB	2
3	011-703071	NIPL 1X1-1/2(CL) BRS NPT	1
4	011-702058	NIPL COMB 1X1-1/4 BLK PIPE HB PNTD BLK	1
5	005-704062	ACTUATOR MOTOR ESBE MODEL ARA 600	1
6	001-704669	CLP HOSE HEAVY DUTY 1.57-1.69 RNG (40-43mm)	4

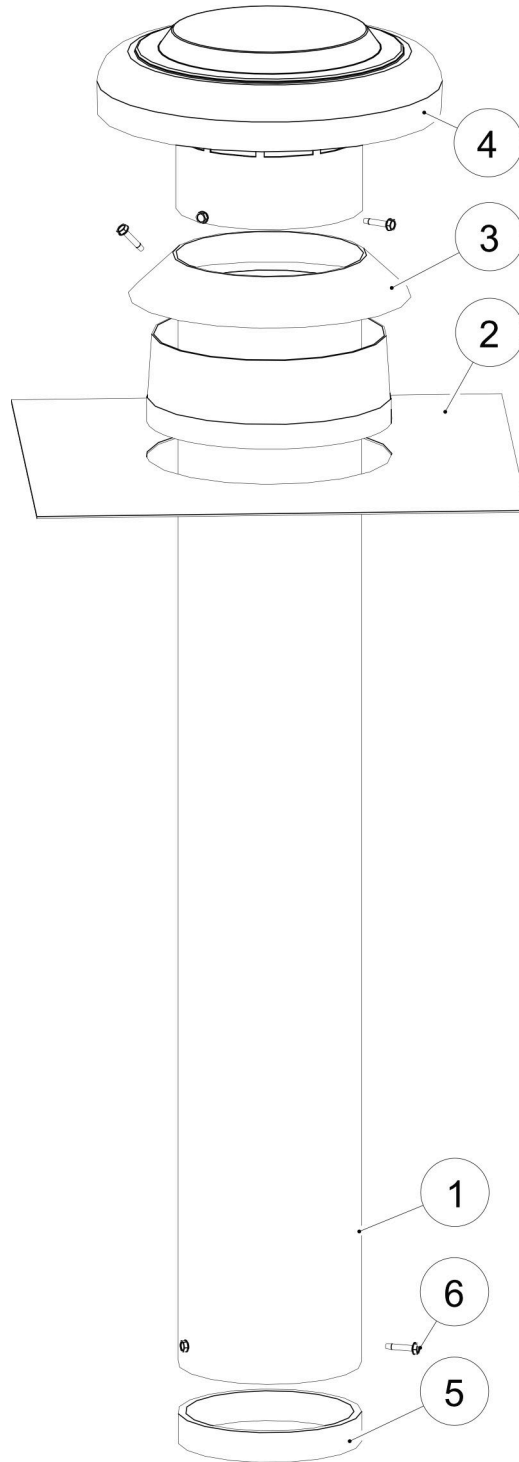




**Central Mobile Enclosure
200 GTS Series
Main Plumbing**

S/N: 170301 -
S/N: Current
PAGE: 2.1.30

Item No.	Part No.	Description	Qty.
1	018-904290	PKG PLMB BLK 1X90 ELB ST-1X1-1/4 NIPL COMB	2
2	011-700366	VLV BALL 1 400WOG FL PT BRS CGA NPTF	2
3	011-700725	KMLCK 1 PART F MXM AL NPTM	1
4	011-700368	KMLCK 1 PART DC CAP AL	1
5	011-700101	KMLCK 1 PART B FXM AL NPTM	1
6	011-700102	KMLCK 1 PART DP PLUG AL	1
7	001-703040	CLP MUF 1-1/4IN 5/16UNC PLD	2
8	001-704669	CLP HOSE HEAVY DUTY 1.57-1.69 RNG (40-43mm)	2
9	006-701439	GSKT 1 KMLCK	1

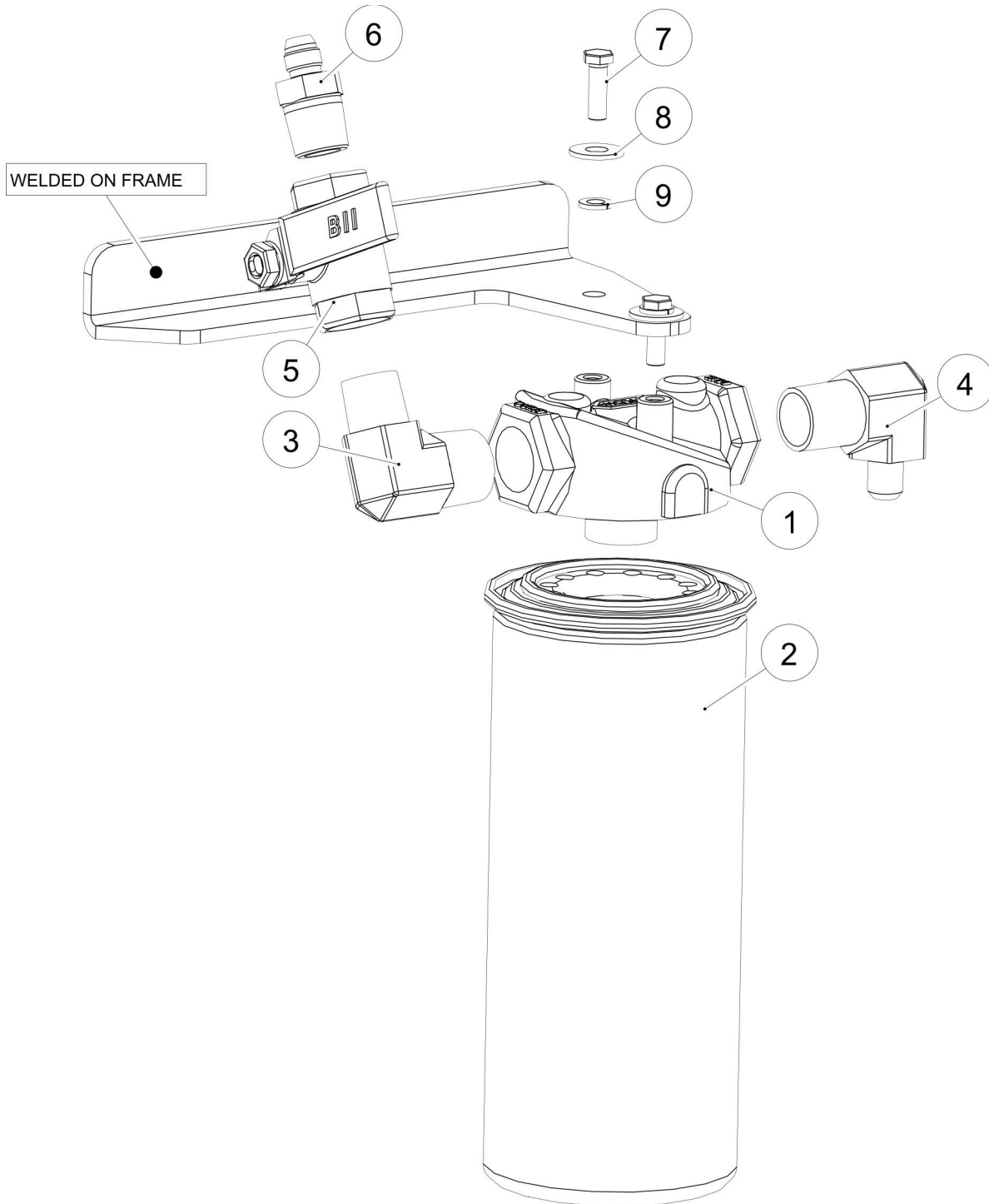




**Central Mobile Enclosure
200 GTS Series
Chimney**

S/N: 170301 -
S/N: Current
PAGE: 2.1.32

Item No.	Part No.	Description	Qty.
1	004-901118	CHMNY PIPE 6X18 24GA GALV SNAP-LOCK	1
2	004-904408	FLSHG FLT ROOF 6IN B-VENT	1
3	004-902012	CHMNY STORM COLLAR 6IN	1
4	004-900424	CHMNY CAP 6IN CHINA GALV	1
5	021-704342	GSKT HEAT RESIST 1/4x1	18IN
6	001-700629	SCRW D/T 10-16X3/4 5/16HEX HD PLD	7

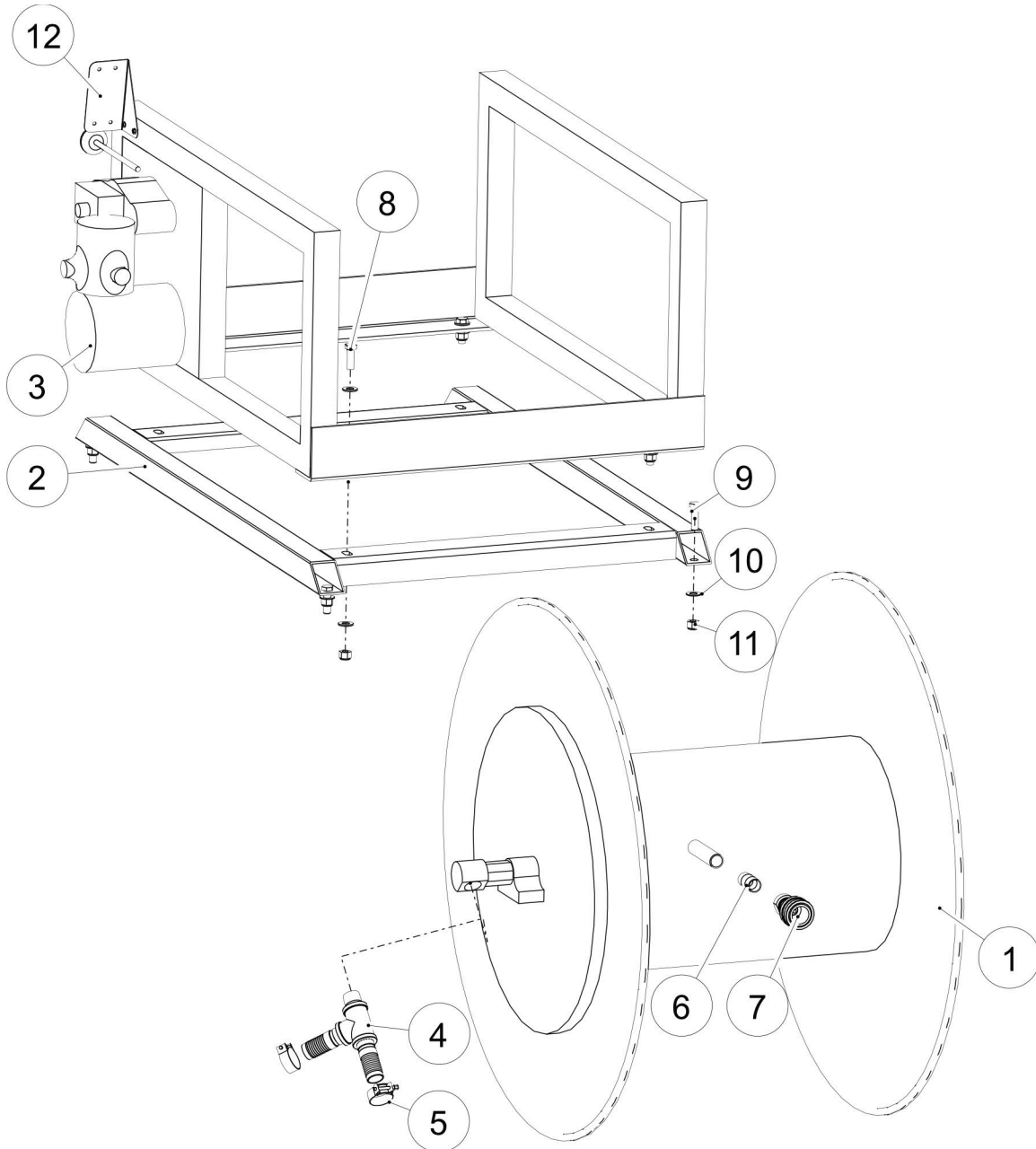




**Central Mobile Enclosure
200 GTS Series
Fuel Filter**

S/N: 170301 -
S/N: Current
PAGE: 2.1.34

Item No.	Part No.	Description	Qty.
1	012-702587	ADPTR FUEL FILTER MTG AL	1
2	012-702588	FILTER FUEL OIL PART/WTR COMB	1
3	011-904676	ADPTR 90 DEG ELB 3/4X1/2 MPT STL	1
4	011-901129	ADPTR 90ELB #6JIC 37X3/4 MPT STL	1
5	011-700115	VLV BALL 1/2 400WOG STD BRS CGA NPTF	1
6	011-702625	ADPTR 1/2 NPT X #6JIC 37DEG FLARE	1
7	001-701482	BOLT 1/4X3/4 PLD GR5	2
8	001-700129	WSHR FLT 1/4 PLD	2
9	001-700934	WSHR LOCK 1/4 PLD	2

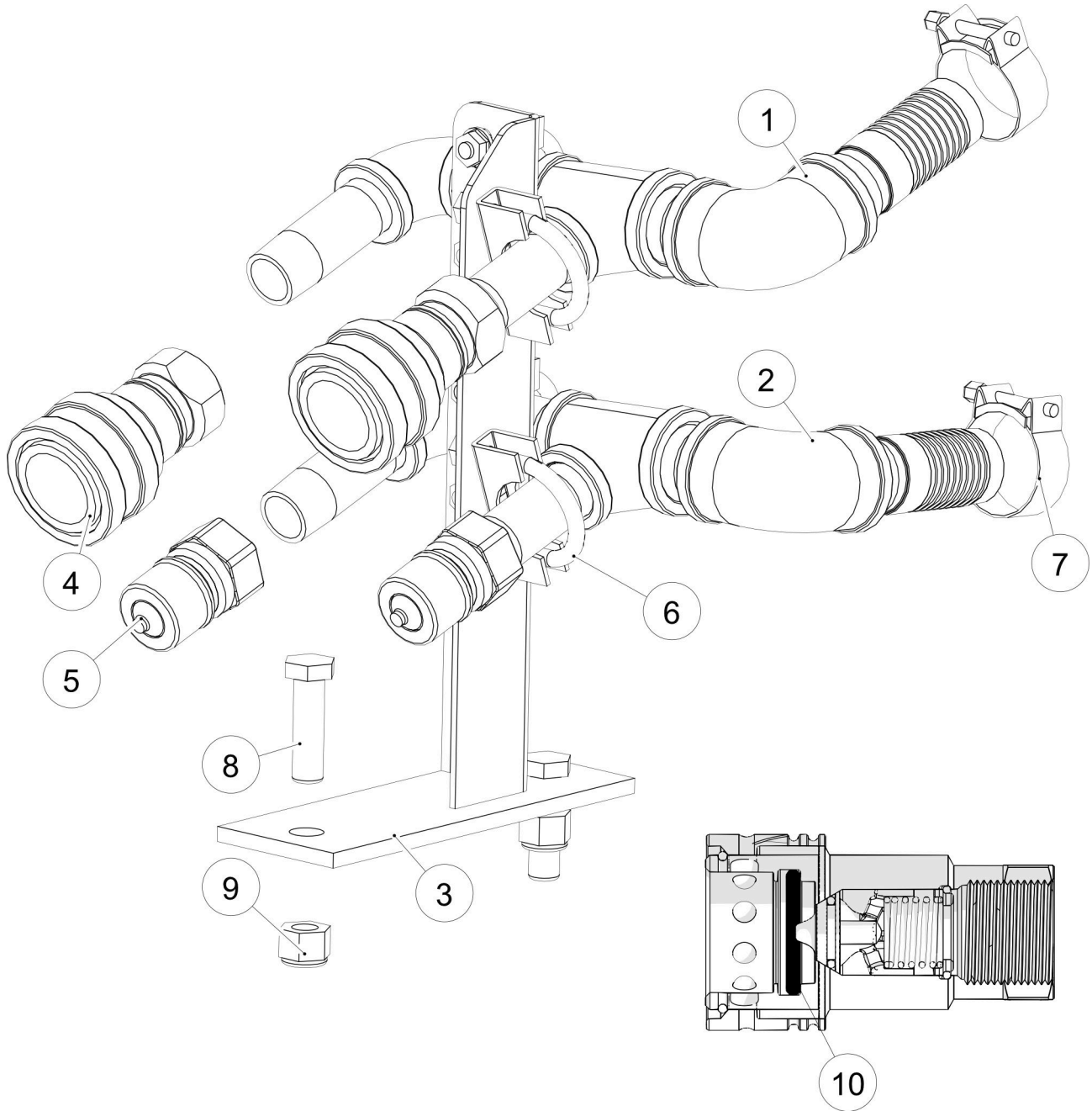




**Central Mobile Enclosure
200 GTS Series
Hose Reel**

S/N: 170301 -
S/N: Current
PAGE: 3.1.2

Item No.	Part No.	Description	Qty.
	018-904367	ASSY HOSE REEL 200GTS (Includes 1-11)	1
1	012-904239	HOSE REEL HANNY EP6032-39-40-15.5 3-16 DSC	1
2	004-904203	BASE HOSE REEL 200GTS	1
3	006-901724	MOTOR 115VAC HANNAY EP8238-39-40RT	1
4	018-904366	PKG PLMB HOSE REEL SPLY 200GTS	1
5	001-704669	CLP HOSE HEAVY DUTY 1.57-1.69 RNG (40-43mm)	2
6	011-703172	NIPL 3/4X2 BRS NPT	1
7	011-701518	QC CPLR 3/4 BRS NPTF	1
8	001-700473	BOLT 1/2X1-1/2 PLD GR5	4
9	001-901454	BOLT 1/2X1-3/4 PLD GR5	4
10	001-700110	WSHR FLT 1/2 SAE PLD	12
11	001-701606	NUT LKG NYL 1/2 UNC PLD	8
12	004-904517	BRKT GFI MNT 200GTS HOSE REEL	1
		The following components not shown	
	002-901433	SWITCH FOOT DPDT HS8000 HOSE REEL (SN 170301 - 170906)	
	002-902559	SWITCH FOOT 2NO-2NC PG16F THREAD (SN 172501-CURRENT)	
	002-901415	WSHR SEAL 3/4 ELEC CND	3
	002-902558	ADPTR ELEC PG16M X 1/2NPTF	1
	002-901416	CORD PWR GFIC AUTO ON 14-3	1
		CALL HANNY REELS FOR SUPPORT	

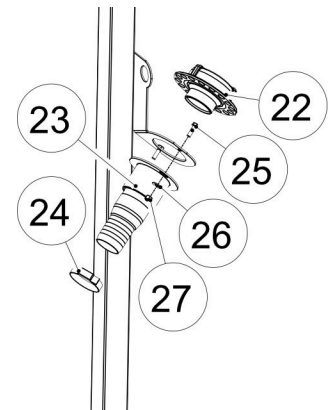
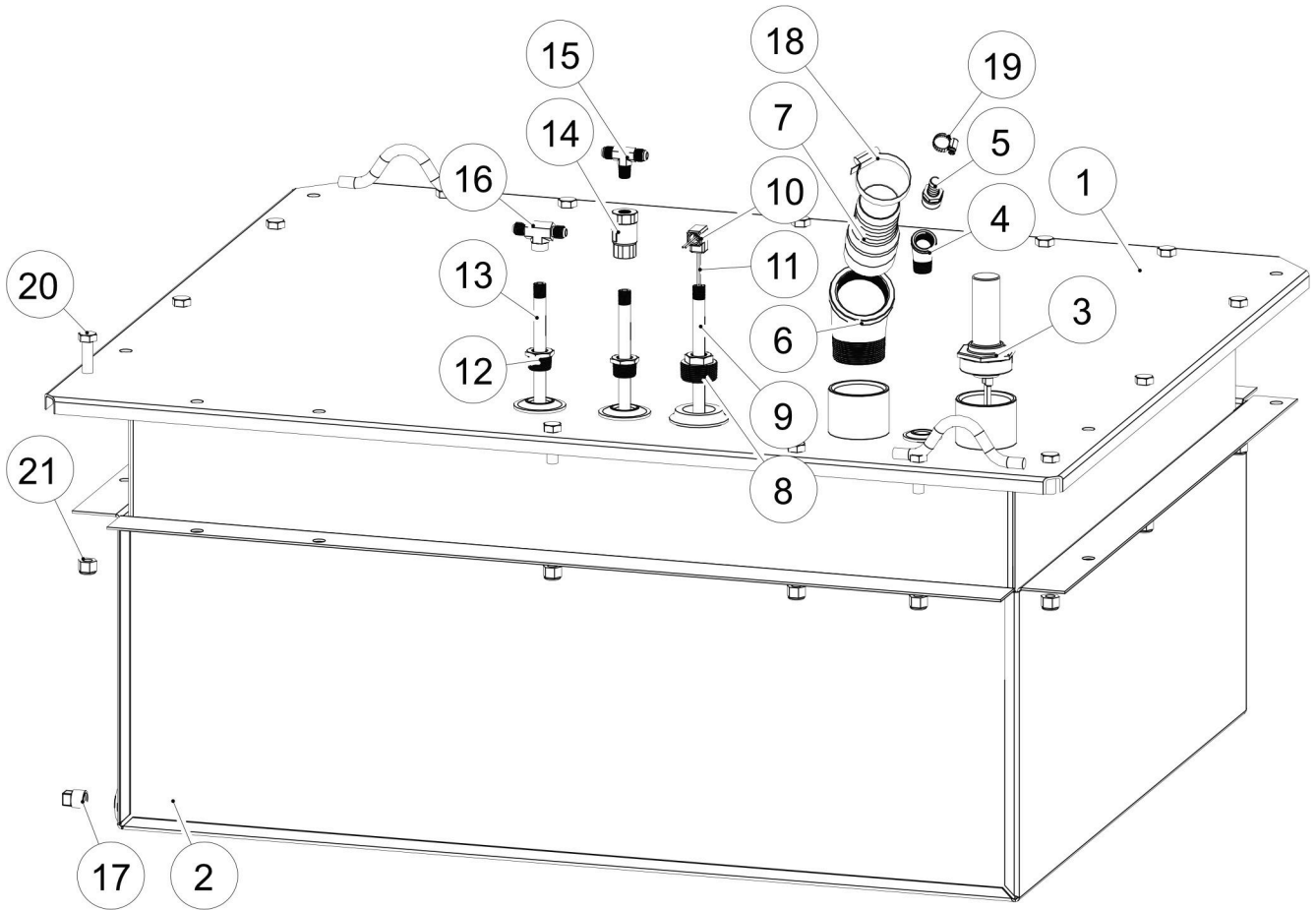




**Central Mobile Enclosure
200 GTS Series
Manifold**

S/N: 170301 -
S/N: Current
PAGE: 4.1.2

Item No.	Part No.	Description	Qty.
1	018-904363	PKG PLMB MAN SPLY 3/4 QC 200GTS	1
2	018-904364	PKG PLMB MAN RTRN 3/4 QC 25DEG 200GTS	1
3	004-904362	MNT MANIFOLD 3/4 QC 200GTS	1
4	011-701518	QC CPLR 3/4 BRS NPTF	2
5	011-701517	QC NIPL 3/4 BRS NPTF	2
6	001-703040	CLP MUF 1-1/4IN 5/16UNC PLD	4
7	001-704669	CLP HOSE HEAVY DUTY 1.57-1.69 RNG (40-43mm)	2
8	001-901454	BOLT 1/2X1-3/4 PLD GR5	2
9	001-701606	NUT LKG NYL 1/2 UNC PLD	2
10A	006-702958	O-RING 3/4IN QC CPLR (.101)	1
10B	006-704311	O-RING 3/4IN QC CPLR (.141)	1

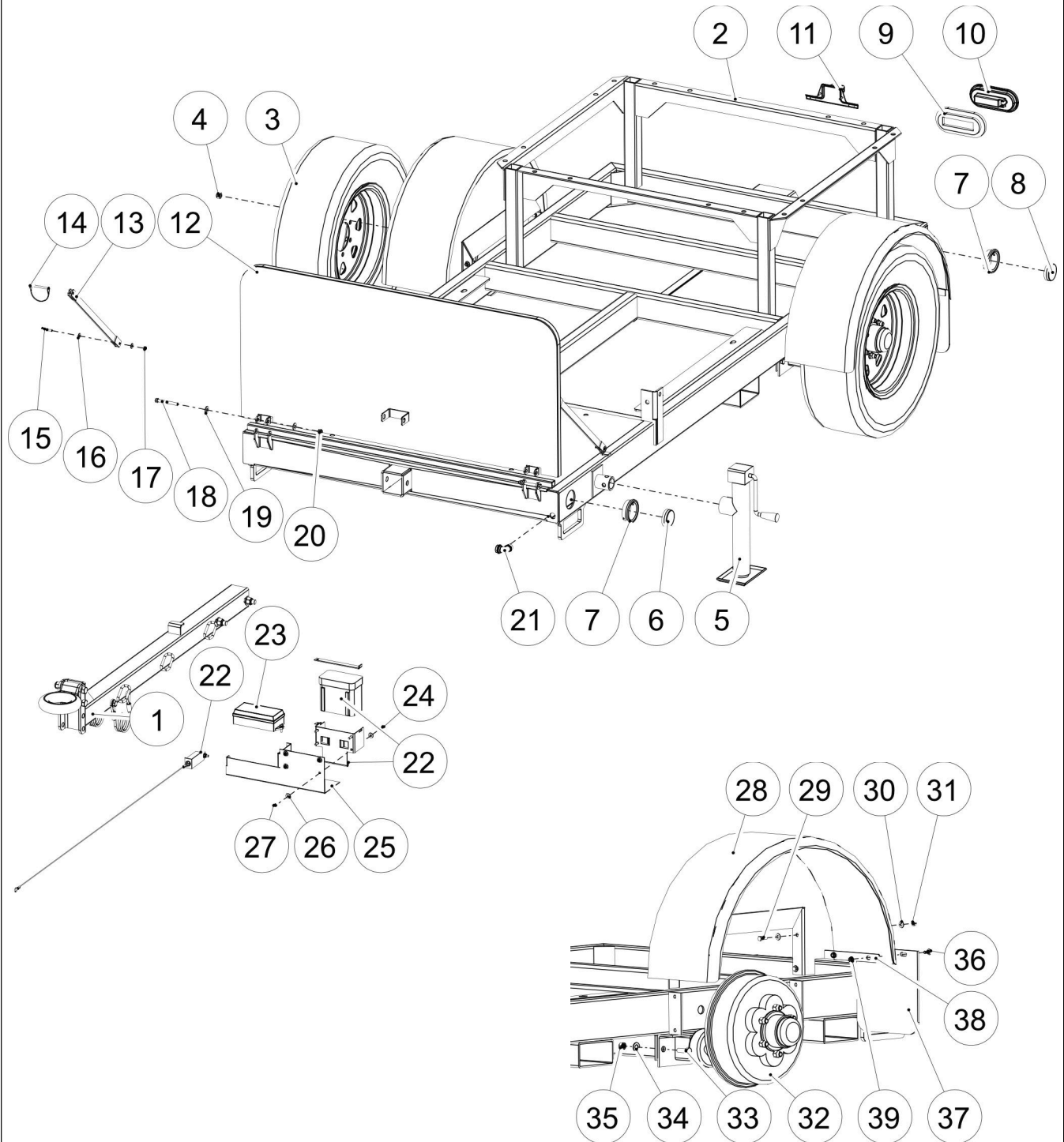




**Central Mobile Enclosure
200 GTS Series
Fuel Tank**

S/N: 170301 -
S/N: Current
PAGE: 5.1.2

Item No.	Part No.	Description	Qty.
1	004-904295	TANK FUEL 200GTS	1
2	004-904305	SHELL FUEL CONTAINMENT 200GTS	1
3	005-703701	GAUGE LVL 13IN SS 2IN NPT	1
4	011-903432	ELB ST 1/2X45DEG BRS NPT	1
5	011-702565	NIPL COMB 1/2NPTX1/2HB BRS	1
6	011-902274	ELB ST 2X45DEG MI	1
7	011-702059	NIPL COMB 2X2 HB PNTD BLK	1
8	011-904299	BSHG RDCG 1-1/4MPTX3/8FPT STEEL	1
9	004-904298	PIPE BLK 1/4 SCH 80X14-1/2L THREADED	1
10	011-703792	ELB 1/4X90DEG EXTD BRS NPT	1
11	002-904300	SW FLOAT SPST 100VA LS-12-273/4	1
12	011-904302	BSHG RDCG 3/4MPTX3/8FPT STEEL	2
13	004-904460	PIPE BLK 1/4 SCH 80X16L THREADED	2
14	011-904459	VLV CHECK 1/4 NPT FEM BRS FUEL .5PSI OPEN PRESSURE	1
15	011-904458	TEE #6JICX#6JICX1/4NPTM	1
16	011-901441	TEE #6JICX#6JICX1/4NPTF	1
17	011-700073	PLUG 1/2 SQ HD MI NPTM	1
18	001-700337	CLP HOSE HS32 2-1/2 SLTD HEX HD SS	1
19	001-702340	CLP HOSE HAS8	1
20	001-700473	BOLT 1/2X1-1/2 PLD GR5	12
21	001-701606	NUT LKG NYL 1/2 UNC PLD	12
22	011-703500	CAP 2IN MPT NON-SPILL PRESS/VAC RLF GALV	1
23	004-904511	ASSY FUEL FILL 200GTS	1
24	001-700337	CLP HOSE HS32 2-1/2 SLTD HEX HD SS	1
25	001-703316	BOLT 1/4X7/8 PLD GR5	2
26	001-700129	WSHR FLT 1/4 PLD	2
27	001-700042	NUT LKG NYL 1/4 UNC PLD	2

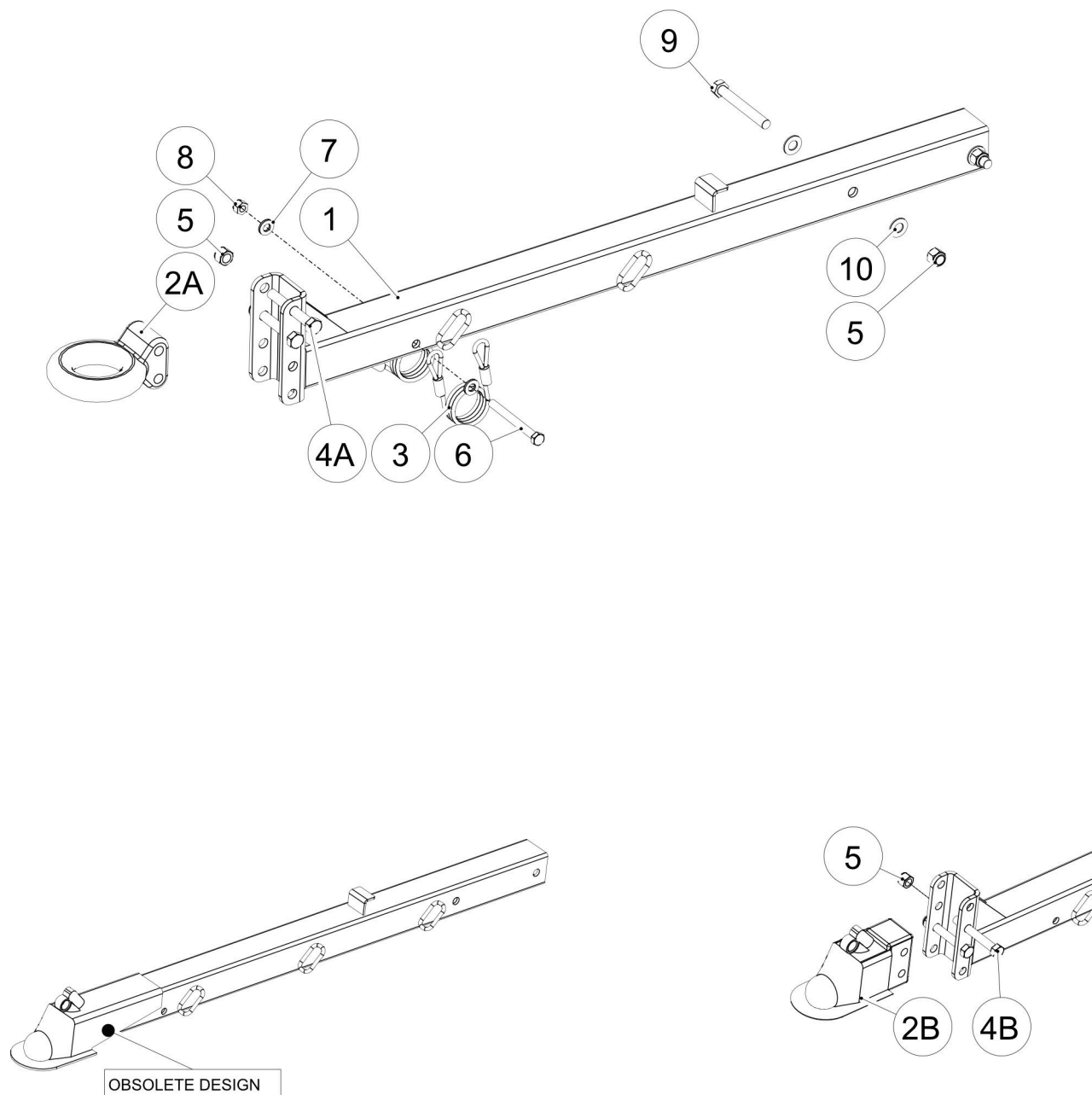




**Central Mobile Enclosure
200 GTS Series
Trailer**

S/N: 170301 -
S/N: Current
PAGE: 6.1.2

Item No.	Part No.	Description	Qty.
1		HITCH ASSY - see page 6.1.3	
2	004-904199	FRAME MAIN TRLR 200GTS	1
3	012-704396	WHEEL ASSY ST225/75R15 6BLT LR-E	2
4	001-703962	NUT WHEEL 1/2 UNF	12
5	012-904273	JACK SIDEWIND 5000LB 10IN BULLDOG	1
6	002-903030	LIGHT AMBER CLEARANCE 2.5IN LED	2
7	002-703321	GROM LAMP 2-1/2 INCH	4
8	002-903031	LIGHT RED CLEARANCE 2.5IN LED	2
9	002-903033	GROM LAMP 6IN OVAL	2
10	002-903032	LIGHT TAIL OVAL 6IN LED	2
11	002-701961	LIGHT LICENSE PLT	1
12	004-904234	STONE GUARD 200GTS TLR	1
13	004-904238	SUPPORT STONE GUARD 200GTS	2
14	001-703287	PIN QUICK 1/4X2-1/2 RND LOOP	2
15	001-700956	BOLT 1/4X1-1/2 PLD GR5	2
16	001-700129	WSHR FLT 1/4 PLD	4
17	001-700042	NUT LKG NYL 1/4 UNC PLD	2
18	001-904395	BOLT 3/8X3-1/4 PLD GR5	2
19	001-700719	WSHR FLT 3/8 PLD	4
20	001-700721	NUT LKG NYL 3/8 UNC PLD	2
21	002-703566	CONNECTOR STRN/RLF 1/2X90DEG .500-.562 CABLE RNG	1
22	004-701984	BREAKAWAY PKG	1
	004-904536	CABLE BREAKAWAY SWTCH 60 INCH	1
23	002-901215	BOX JUNCTION TRLR ELEC 7 POLE	1
24	001-703316	BOLT 1/4X7/8 PLD GR5	7
25	004-904223	MNT ELEC 200GTS TLR	1
26	001-700129	WSHR FLT 1/4 PLD	14
27	001-700042	NUT LKG NYL 1/4 UNC PLD	7
28	004-904233	FENDER ASSY 200GTS	2
29	001-700743	BOLT 5/16X1 PLD GR5	4
30	001-700742	WSHR FLT 5/16 PLD	8
31	001-700741	NUT LKG NYL 5/16 UNC PLD	4
32	012-904229	AXLE #11 TORFLEX 0DEG 6000LB TRK WD=66	1
33	001-700473	BOLT 1/2X1-1/2 PLD GR5	4
34	001-700100	WSHR FLT 1/2 PLT PLD	4
35	001-703279	NUT LKG UNITORQUE 1/2 UNC PLD	4
36	001-703307	BOLT CRG 5/16X3/4 UNC PLD GR5	4
37	004-703335	MUD GD 10X10	2
38	004-703336	PLT MUD GD MNT TR6000-2	2
39	001-703308	NUT FLG 5/16 UNC PLD	4



Hitch



**Central Mobile Enclosure
200 GTS Series
Hitch**

S/N: 170301 -
S/N: Current
PAGE: 6.1.4

Item No.	Part No.	Description	Qty.
A	004-904748	ASSY HITCH 200GTS TLR ADJUSTABLE PINTLE (Includes 1, 2A, 3, 4A, 5)	1
B	018-905921	HITCH ASSY 2-5/16 BALL 1400LB ADJUSTABLE 200GTS (Includes 1, 2B, 3, 4B, 5)	1
1	004-904750	HITCH POLE 200GTS TLR ADJUSTABLE	1
2A	004-701955	LUNETTE EYE 3 INCH	1
2B	012-703753	HITCH ASSY 2-5/16IN BALL 14000LB	1
3	004-701966	CABLE SAF 1/4X36 C/W HOOK	2
4A	001-703373	BOLT 5/8X4-1/2 PLD GR5	2
4B	001-703754	BOLT 5/8X4-1/2 UNC PLD GR8	2
5	001-700950	NUT LKG NYL 5/8 UNC PLD	4
6	001-901105	BOLT 1/2X5 GR8 UNC PLD	1
7	001-700100	WSHR FLT 1/2 PLT PLD	2
8	001-701606	NUT LKG NYL 1/2 UNC PLD	1
9	001-702203	BOLT 5/8X5 UNC PLD GR5	2
10	001-700944	WSHR FLT 5/8 SAE PLD	4



**Central Mobile Enclosure
200 GTS Series
Hoses and Fuel Lines**

S/N: 170301 -
S/N: Current
PAGE: 7.1.1

Item No.	Part No.	Description	Qty.
		FUEL FILL	
1	013-900427	HOSE 2IN-ID FLEXWING VERSAFUEL	14IN
		FUEL HOSE VENT	
2	013-903061	HOSE FUEL LINE 1/2ID BLK	2.33FT
		HOSE REEL HOSE	
3	018-905123	ASSY HOSE 3/4X600FT FRONTIER BLK CW 3/4BRS QC	2
		GLYCOL FILL HOSE	
4	013-702635	HOSE 3/4 RED	5FT
		SUPPLY PLUMBING TO KAMLOCK MANF	
5	013-700063	HOSE 1-1/4 VERSIFLO SUCT CW WIRE HLX	54IN
		KAMLOCK MANF TO RETURN PLUMBING	
6	013-700063	HOSE 1-1/4 VERSIFLO SUCT CW WIRE HLX	36IN
		SUPPLY PLUMBING TO FLOW REVERSER	
7	013-700063	HOSE 1-1/4 VERSIFLO SUCT CW WIRE HLX	26IN
		MANF TO HOSE REEL	
8	013-700063	HOSE 1-1/4 VERSIFLO SUCT CW WIRE HLX	19IN
		MANF TO FLOW REVERSER	
9	013-700063	HOSE 1-1/4 VERSIFLO SUCT CW WIRE HLX	16IN
		HE SUPPLY TO PUMP	
10	013-700063	HOSE 1-1/4 VERSIFLO SUCT CW WIRE HLX	9IN
		HOSE REEL TO FLOW REVERSER	
11	013-700063	HOSE 1-1/4 VERSIFLO SUCT CW WIRE HLX	23IN
		PREHEATER TO BURNER INTAKE	
12	013-901260	HOSE FLEX DUCTING 4IN (3600102)	33IN
		GLYCOL PREHEATER TO HE	
13	013-701100	HOSE 1 EXPLORER AIR 50FT LN	44IN
		PREHEATER TO RETURN PLUMBING	
14	013-702634	HOSE 1/2 RED	53IN
		PREHEATER TO SUPPLY PLUMBING	
15	013-702634	HOSE 1/2 RED	26IN
		PRESSURE RLF VLV TO RETURN PLUMBING	
16	013-702634	HOSE 1/2 RED	19.75IN
		SUPPLY PLUMBING TO DANFOSS VLV	
17	013-702634	HOSE 1/2 RED	13IN
		HE PRESSURE RLF PLUMBING TO GLYCOL TANK	
18	013-702635	HOSE 3/4 RED	11IN
		GLYCOL TANK OVERFLOW	
19	013-702635	HOSE 3/4 RED	72IN
		FUEL LINES	
20	004-904516	FUEL LINE 3/8X98IN STR/90DEG #6JIC FEM SWVL ENDS	3
21	004-903052	FUEL LINE 3/8X30IN STR/90DEG #6JICF SWVL ENDS	1
22	004-902993	FUEL LINE 3/8X20IN STR/90DEG #6JICF SWVL ENDS	1
23	004-901047	FUEL LINE 3/8X53IN #6JICF 37DEG STR SWVL	1



Central Mobile Enclosure
200 GTS Series
Decals

S/N: 170301 -
S/N: Current
PAGE: 8.1.1



Item No.	Part No.	Description	Qty.
1A	003-902021	DECAL GREENTHAW BY DRYAIR 14X3.7 GTS300	2
1B	003-906401	DECAL DRYAIR 16X2.48	2
2A	003-903528	DECAL GREENTHAW 27X4-5/8	4
2B	003-906399	DECAL GREENTHAW 27X5.25	4
3	003-903721	DECAL GREENTHAW 27X4-5/8 WHT	4
4	003-904598	DECAL 200GTS 16.5X3.25 WHT	2
5A	003-904461	DECAL 200GTS 16.5X3.25	2
5B	003-906447	DECAL 200GTS 16.75 X 2.665	2
6	003-906732	DECAL QR OP MAN 200 GTS	1
7	003-906857	DECAL QR VIDEOS 200GTS	1

1

ATTENTION!

VENT MUST BE OPEN
L'ÉVENT DOIT ÊTRE OUVERT

2

POWER SUPPLY SOURCE D'ÉNERGIE

WATER HEATER CHAUFFE-EAU 120V - 15A X 2

HOSE REEL DEVIDOIR

GENERATOR FUEL GÉNÉRATEUR DE CARBURANT

SUPPLY SOURCE

RETURN RETOUR

3

**TANK MUST BE
EMPTIED BEFORE
TRANSPORT
WITHIN
CANADA**

4

RESERVOIR SELECTOR VALVE IS LOCATED ON TOP OF THE FUEL TO HTF HEAT EXCHANGER (BELOW INTERNAL HTF TANK)

EXTERNAL HTF TANK (RESERVOIR EXTENSION TANK)

INTERNAL HTF TANK (NORMAL OPERATION)

SEE OPERATORS MANUAL FOR INSTRUCTIONS

5

**MADE IN
CANADA**

**FABRIQUÉ
AU CANADA**

003-703323R01

6

**APPROVED FOR USE
WITH 017-904702
SLING ONLY.**

**LIFT LUG WORKING
LOAD LIMIT - 6059/4 =
1,515 LBS.**

7

HEAT TRANSFER FLUID LEVEL
CHECK AND MAINTAIN FLUID LEVELS DAILY WITHIN THE GREEN

USE ONLY APPROVED HTF/WATER MIXTURE

NIVEAU DE FLUIDE CALOPORTEUR
VÉRIFIEZ ET ENTRETIENIR LE NIVEAU DE FLUIDE QUOTIDIENNEMENT DANS LE VERT

UTILISEZ MÉLANGE NIVEAU DE FLUIDE CALOPORTEUR/EAU APPROUVÉ

8

1. INSERT FINGER IN LATCH HOLE. PULL OUT AND UP ON LATCH ROTATING LATCH UP BY FIG. 1)
2. PLACE COUPLER ON 2.5" H" BALL OF SAME OR GREATER CAPACITY THAN TRAILER GVW
3. WHEN BALL IS FULLY SEATED IN BALL SOCKET PUSH FORWARD ON THE LATCH (1-A). ENSURE THE TAB ON THE LATCH (1-A) IS SEATED SECURELY IN SLOT (1-B)
4. USING TRAILER JACK, LIFT TOW VEHICLE 2" - 4" TO VERIFY COUPLER IS PROPERLY SECURED TO BALL. RETRACT TRAILER JACK AND PLACE JACK IN TRANSPORT POSITION BEFORE TOWING
5. INSERT LOCK OR SAFETY PIN THROUGH LOCK HOLE (2-A)

9

**WARNING
ATTENTION**

NOT FOR LIFTING OR TIE DOWN. HOOKS ARE FOR MANUFACTURING USE ONLY!

PAS POUR LE LEVEGE OU ARRIMAGE. LES CROCHETS SONT POUR USAGE DE FABRICATION SEULEMENT!

10

003-906823

11

ATTENTION

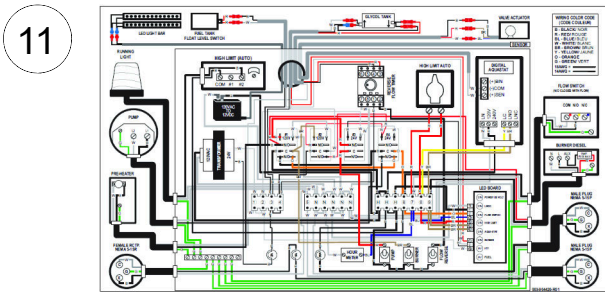
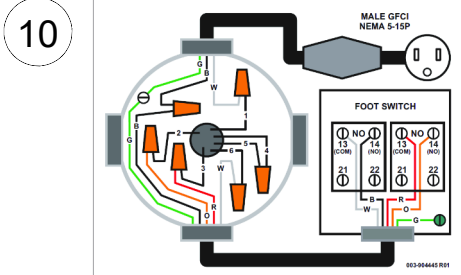
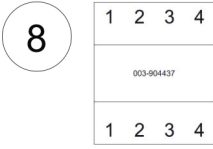
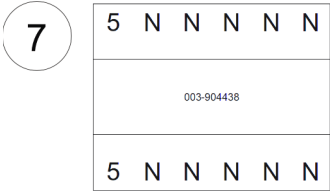
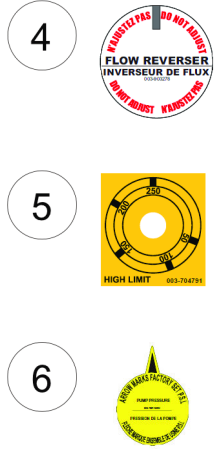
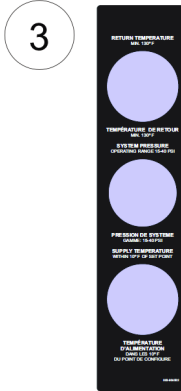
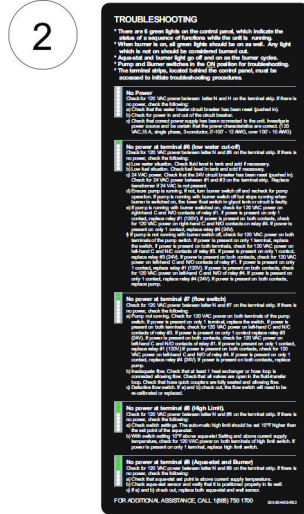
CE COUVERCLE DOIT ÊTRE EN PLACE AVANT DE METTRE LE BRÛLEUR EN MARCHÉ

12

DIESEL

003-906842

Item No.	Part No.	Description	Qty.
1	003-904524	DECAL VENT MUST BE OPEN	2
2	003-904442	DECAL PWR SPLY 200GTS	1
3	003-904737	DECAL TANK MUST BE EMPTIED	1
4	003-904466	DECAL GLY SELECTOR VLV 200GTS	1
5	003-703323	DECAL MADE IN CANADA 1.5x3	1
6	003-904715	DECAL WORKING LOAD LIMIT	4
7	003-903125	DECAL GLY LEVEL 400GTS SIDE TANK	1
8	003-904457	DECAL HITCH CPLR INSTRUCTION	1
9	003-901162	DECAL NOT FOR LIFTING OR TIE DOWN	4
10	003-906823	DECAL GND SYMBOL	1
11	003-906839	DECAL ATTN BNR COVER INSTALLED FRENCH ONLY	1
12	003-906842	DECAL DIESEL 2-1/2X1	2



Item No.	Part No.	Description	Qty.
1	003-904446	DECAL CNTRL PNL 200GTS CW FLOW REV	1
2	003-904429	DECAL TROUBLESHOOTING 200GTS	1
3	003-904502	DECAL GAUGE PNL 200GTS	1
4	003-903278	DECAL FLOW REV DO NOT ADJ	1
5	003-704791	DECAL HI LIMIT TEMP SETTING	1
6	003-702729	DECAL FUEL PRESS ARROW MOD 2100	1
7	003-904438	DECAL TERM STP 5NNNNN .531 SPCG	1
8	003-904437	DECAL TERM STP 1-4 .531 SPCG	1
9	003-904439	DECAL TERM STP HHH6-9 .531 SPCG	1
10	003-904445	DECAL ELEC SCHEM HOSE REEL 200GTS	1
11	003-904420	DECAL ELEC SCHEM 200GTS CW FLOW REV	1

1

CAUTION! / ATTENTION!

DO NOT BLOCK THIS OUTLET

THIS OUTLET SERVES AS THE CIRCULATION SYSTEM FLUID RESERVOIR VENT AND OVERFLOW

BLOCKING THE OUTLET WOULD CAUSE UNDESIRABLE CIRCULATION SYSTEM PRESSURE BUILD-UP RESULTING IN WATER HEATER SHUT-DOWN

NE BLOQUEZ PAS CETTE SORTIE

CETTE SORTIE SERT D'ÉVÉNEMENT ET DE DÉBOURDEMENT DU RÉSERVOIR À FLUIDE DE SYSTÈME DE CIRCULATION

LE BLOQUAGE DE LA SORTIE PEUT CAUSER UNE ACCUMULATION DE PRESSION DU SYSTÈME DE CIRCULATION INDÉSIRABLE RESULTANT EN ARRÊT DE CHAUFFE-EAU

003-701456-R03

2

CAUTION !

HOT SURFACE & FLUID LINES

82°C (180°F) FLUID TEMPERATURE. PRECAUTIONS MUST BE TAKEN TO PREVENT INJURY FROM PHYSICAL CONTACT WITH THE HEAT TRANSFER FLUID & CIRCULATION LINES. PROTECTIVE EYEWEAR & GLOVES MUST BE WORN AT ALL TIMES WHEN HANDLING. SHUT OFF BALL VALVES BEFORE CONNECTING AND OR DISCONNECTING.

ATTENTION !

SURFACE & FLUIDE CHAUFFE!

82 °C (180 °F) TEMPERATURE DE LIQUIDE. PRÉCAUTIONS DOIVENT ÊTRE PRISES POUR PRÉVENIR LES PRÉJUDICES. CONTACT PHYSIQUE AVEC LE FLUIDE DE TRANSFERT DE CHALEUR & LIGNES DE CIRCULATION. LUNETTES ET GANTS DE PROTECTION DOIVENT ÊTRE PORTÉS À TOUT MOMENT LORS DE LA MANIPULATION. COUPEZ ROBINETS AVANT DE CONNECTER ET OU DE DÉBRANCHER.

003-701524-R02

3

Burner Lockout

Upon initial startup or in the event of a low fuel or gas incident the burner may lock out. The reset button on the burner front will be glowing orange/red.

Proceed as follows:

- Ensure all fuel/gas supply valves are open and that there are no leaks.
- Insure (if equipped) Low Gas Pressure switch and High Gas Pressure switch have been reset.
- Depress Burner reset button. Burner should run and initiate firing sequence.
- If Burner fails to light, the Burner will lockout again.

Multiple resets maybe required to purge air from the fuel source.

FOR ADDITIONAL ASSISTANCE, CALL 1(888) 750 1700

003-905289

4

DIESEL FUEL ONLY
DIESEL SEULEMENT

This appliance is rated for #1 or #2 light oil/diesel
Cet appareil est classé pour n°1 et n°2 pétrole léger/diesel

003-900455-R1

5

PARTICULATE & WATER BLOCK FILTER
REMOVES FOREIGN DEBRIS & WATER FROM FUEL

"FILTRE DE BLOQUAGE DE L'EAU ET DE PARTICULES
NA DES LES DÉBRIS ÉTRANGERS ET L'EAU DU COMBUSTIBLE"

003-702430-R02

6

SAFETY FIRST
LA SÉCURITÉ

OBSERVE ALL SAFETY PRECAUTIONS AS OUTLINED BY OCCUPATIONAL HEALTH & SAFETY REFER TO SERVICE MANUAL FOR DETAILS

RESPECTEZ TOUTES LES PRÉCAUTIONS COMME INDIQUE PAR SANTÉ ET SÉCURITÉ AU TRAVAIL. CONSULTEZ LE MANUEL DE SERVICE POUR LES DÉTAILS

003-700159-R02

7

PROPYLENE GLYCOL
HEAT TRANSFER FLUID

DANGER (H314)
 CORROSIVE (H314)
 DANGER (H314)
 DANGER (H314)

GHS05 (H272)
 FLAMMABLE LIQUID (H228)
 FLAMMABLE LIQUID (H228)

GHS09 (H334)
 IRRITANT (H334)
 IRRITANT (H334)

GHS07 (H373)
 TOXIC (H373)
 TOXIC (H373)

GHS08 (H302)
 HARMFUL (H302)
 HARMFUL (H302)

GHS09 (H334)
 IRRITANT (H334)
 IRRITANT (H334)

GHS07 (H373)
 TOXIC (H373)
 TOXIC (H373)

GHS05 (H272)
 FLAMMABLE LIQUID (H228)
 FLAMMABLE LIQUID (H228)

GHS09 (H334)
 IRRITANT (H334)
 IRRITANT (H334)

GHS07 (H373)
 TOXIC (H373)
 TOXIC (H373)

GHS05 (H272)
 FLAMMABLE LIQUID (H228)
 FLAMMABLE LIQUID (H228)

GHS09 (H334)
 IRRITANT (H334)
 IRRITANT (H334)

GHS07 (H373)
 TOXIC (H373)
 TOXIC (H373)

003-906384-R02

8

DANGER

DO NOT OPERATE WITHOUT GUARDS IN PLACE

N'UTILISEZ PAS SANS GARDES EN PLACE

003-702207-R01

9

DANGER

USE EXTREME CARE WHEN OPERATING THIS MACHINE

UTILISEZ UN SOIN EXTRÊME LORS DU FONCTIONNEMENT DE CETTE MACHINE

KEEP HANDS, FEET AND BODY AWAY FROM MOVING COMPONENTS.

GARDEZ LES MAINS, LES PIEDS ET LE CORPS LOIN DE COMPOSANTS MOBILES.

003-702206-R01

10

DO NOT ADJUST!
N'AJUSTEZ PAS!

ADJUSTMENTS MUST BE DONE BY A QUALIFIED TECHNICIAN ONLY

ADJUSTMENTS DOIVENT ÊTRE FAITS PAR UN TECHNICIEN QUALIFIÉ SEULEMENT

003-700172-R02

11

LIGHT OIL/DIESEL LIGHT OIL/DIESEL LIGHT OIL/DIESEL
PÉTROLE LÉGER/DIESEL PÉTROLE LÉGER/DIESEL PÉTROLE LÉGER/DIESEL

003-702436-R2

Item No.	Part No.	Description	Qty.
1	003-701456	DECAL VENT/OVERFLOW	1
2	003-701524	DECAL CAUTION GLY SHUT VLV	1
3	003-905289	DECAL BURNER LOCKOUT	1
4	003-900455	DECAL DSL FUEL ONLY 4.5X2.5	1
5	003-702430	DECAL FUEL/WATER FLTR MOD 2100	1
6	003-700159	DECAL SAFETY FIRST	1
7	003-906384	DECAL GLYCOL SAFETY	1
8	003-702207	DECAL DANGER DO NOT OPERATE	1
9	003-702206	DECAL DANGER USE EXTREME CARE	1
10	003-700172	DECAL DO NOT ADJ	3
11	003-702436	DECAL STRIP DSL/LIGHT OIL MOD 2100	1

