



Heat

Dry

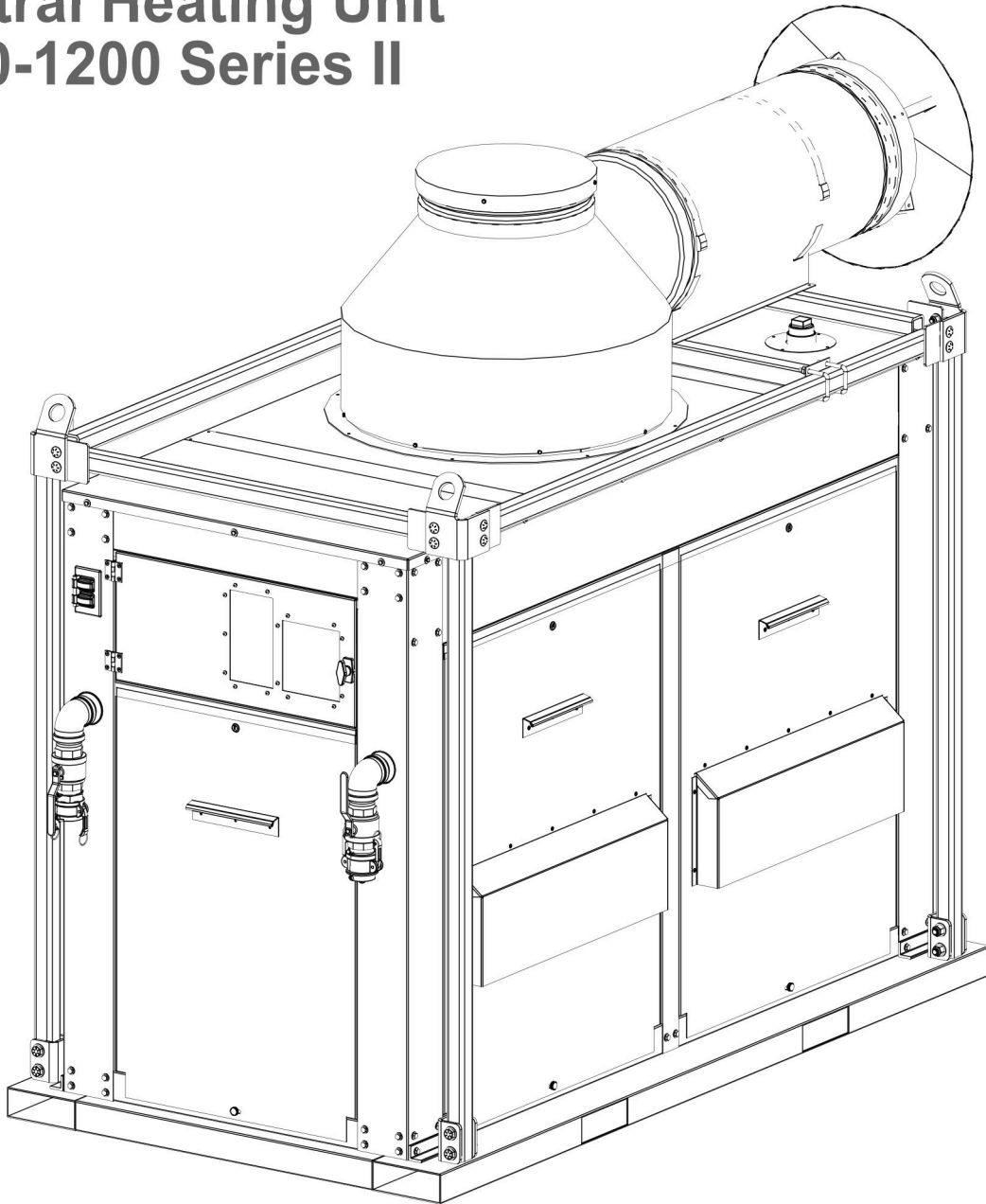
Thaw

Cure

# PARTS CATALOGUE

## Central Heating Unit

### 2000-1200 Series II



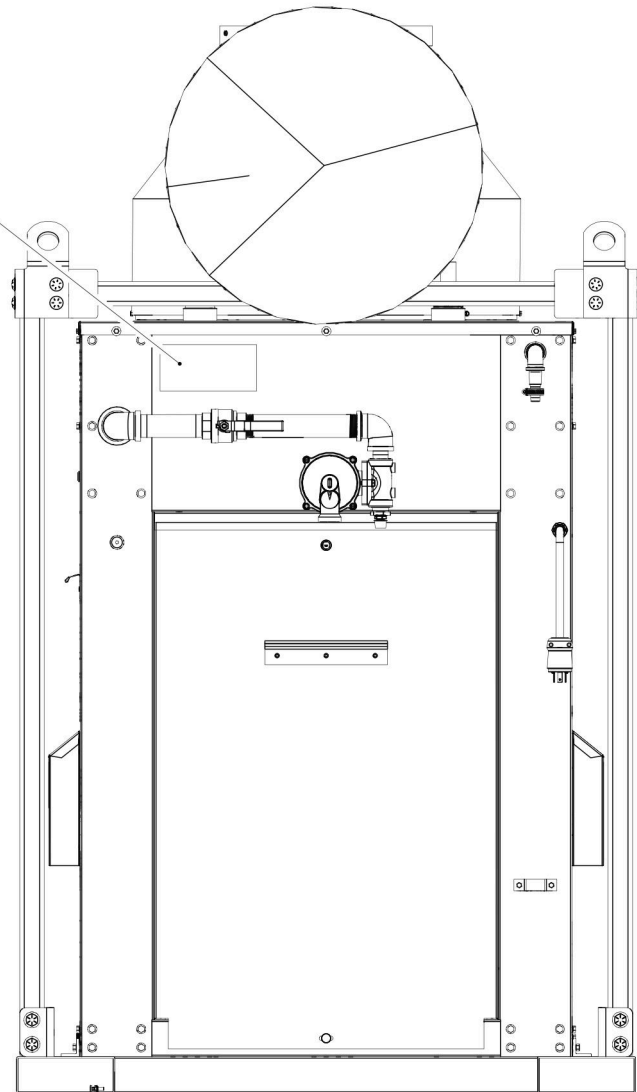
**DRYAIR MANUFACTURING CORP.**  
PO BOX 126, 400 SERVICE ROAD  
ST. BRIEUX, SK S0K 3V0  
CANADA  
[www.dryair.ca](http://www.dryair.ca)

Tel: 1 (306) 275-4848  
Toll-Free: 1 (888) 750-1700  
Fax: 1 (306) 275-4664  
Email: [parts@dryair.ca](mailto:parts@dryair.ca)



# Central Heating Unit 2000-1200 Series II Serial Number Location

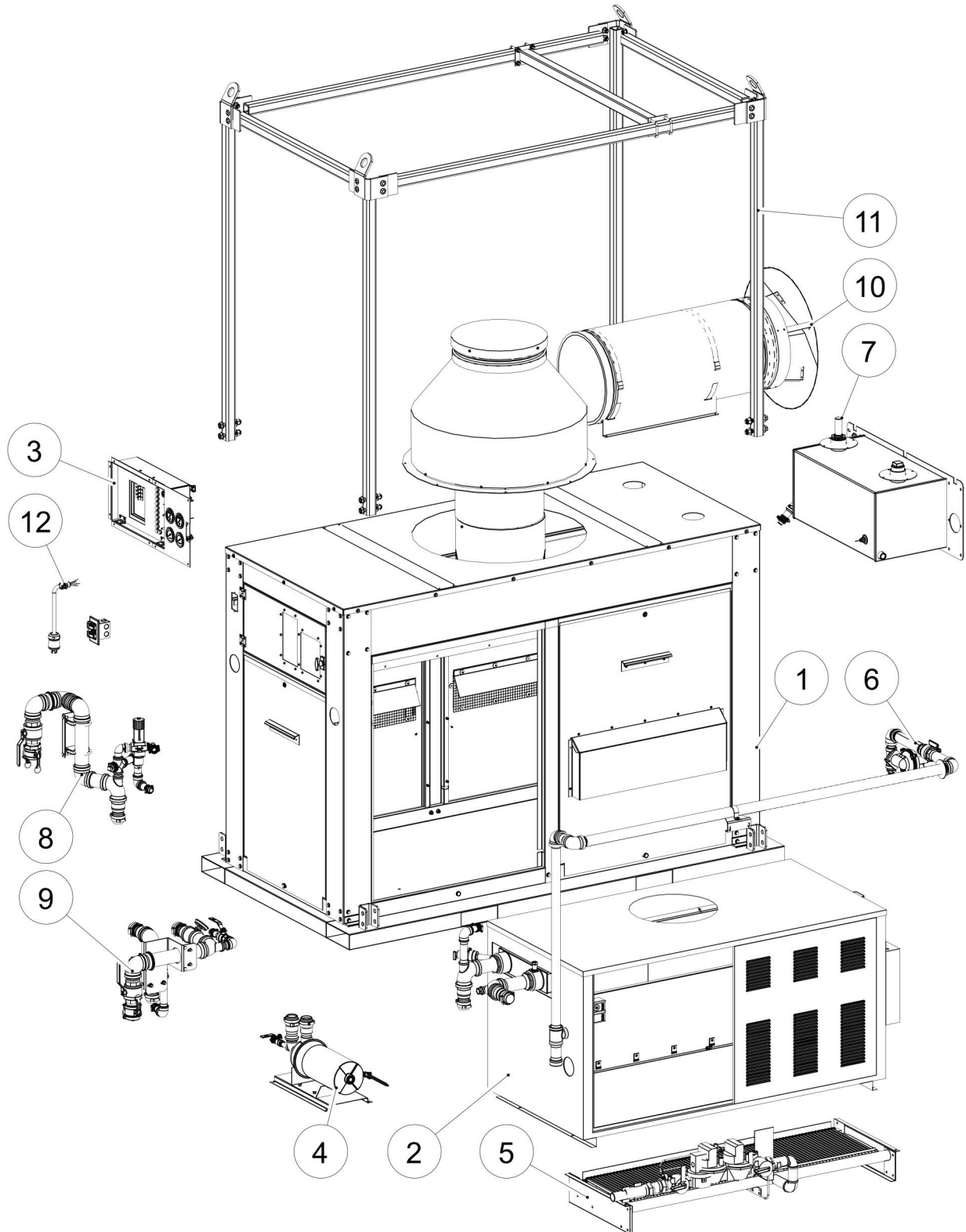
		P.O. Box 126 400 Service Road St. Denis, St. Canada S0K 3V0			<b>MADE IN CANADA</b>
DRYAIR Model		Reference:			
Serial No.		Prod. Sched.:			
<b>Main Power</b>		<b>Boiler</b>			
Volts:	1	Fuel:	Natural Gas	Propane	
Phase:		Pilot:	Electric Spark Ignition	Electric Spark Ignition	
Hz:	60 Hz	Max. Gas Pressure:	14" W.C.	11" W.C.	
Max. Ampacity:		Min. Gas Pressure:	6" W.C.	11" W.C.	
Control Voltage:	120/24VAC	Max. Manifold Gas Pressure:	4" W.C.	11" W.C.	
		Min. Manifold Gas Pressure:	3.5" W.C.	10" W.C.	
		Calorific Value:	1000 Btu/cu.ft	24.197 Btu/litre	
		Input Capacity:	MBH	MBH	
		Output Capacity:	MBH	MBH	
		Installed Altitude:	ft.	ft.	
		NOTE: This appliance is equipped for the "gas type" indicated on the "Gas Train Label" inside the cabinet.			
Complies to: ANSI Z21.13		Clearances: 36" minimum on all sides of structure			
<small>003-701041-ROE</small>					





**Central Heating Unit  
2000-1200 Series II  
Table of Contents**

Master Assembly .....	1.1.1
Cabinet .....	1.1.3
Control Panel Door .....	1.1.5
Control Panel End Door .....	1.1.7
Rear Door .....	1.1.9
Front Door .....	1.1.11
Tank End Door .....	1.1.13
Heat Exchanger .....	2.1.1
Control Panel .....	2.1.3
Pump .....	2.1.5
Burner - CSD-1, CDN Standard .....	2.1.9
Gas Train - G5 .....	2.1.11
Gas Train - G6 .....	2.1.13
Gas Train - MASS .....	2.1.15
Gasline & Propane Regulator .....	2.1.17
Glycol Tank .....	2.1.19
Supply Plumbing .....	2.1.21
Return Plumbing .....	2.1.23
Kamlocks .....	2.1.25
Chimney .....	2.1.27
Lift Frame .....	2.1.29
Electrical .....	2.1.31
Hoses and Fuel Lines .....	3.1.1
Decals .....	4.1.1



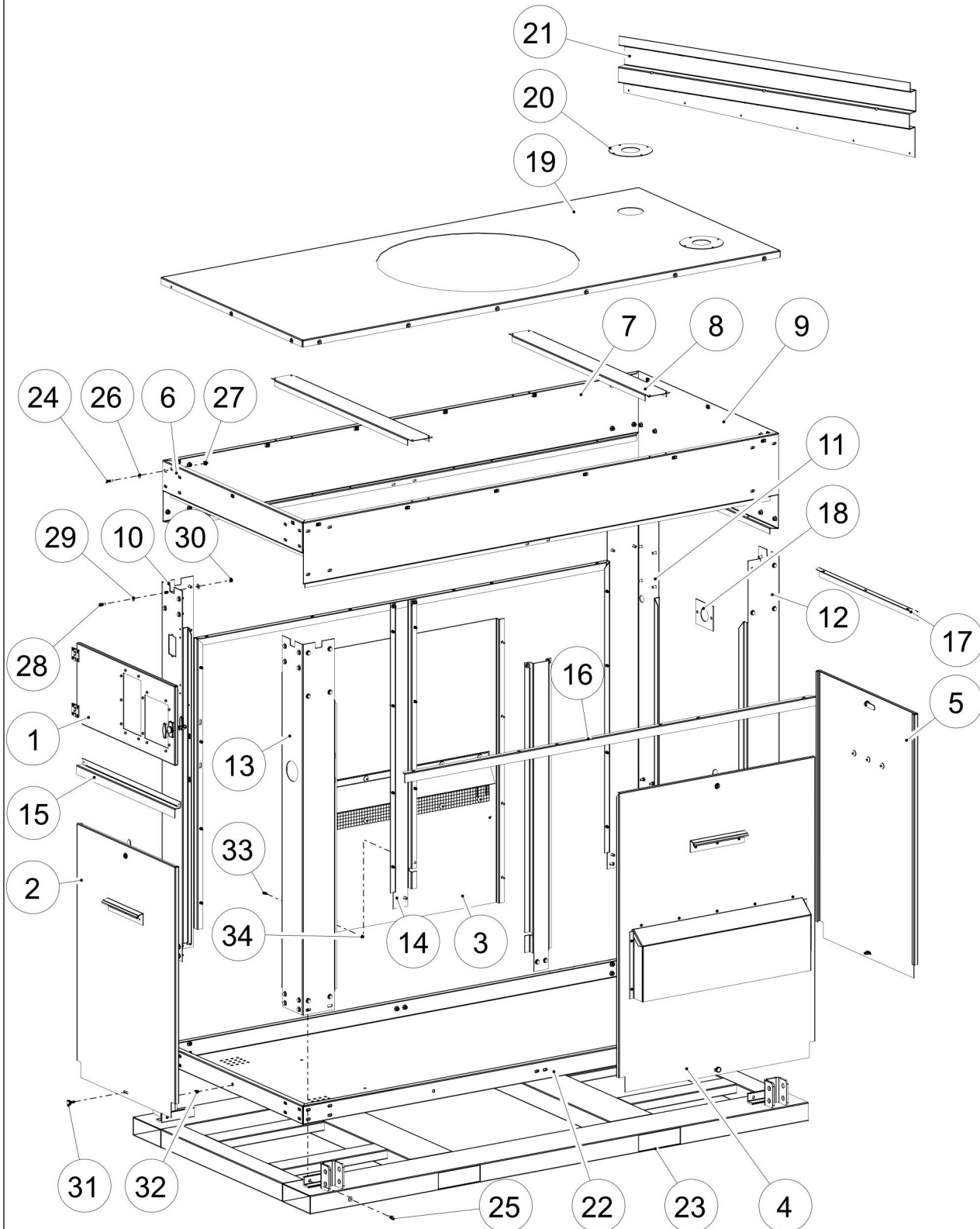




**Central Heating Unit  
2000-1200 Series II  
Master Assembly**

S/N: 23114 -  
S/N: Current  
PAGE: 1.1.2

Item No.	Part No.	Description	Page
1		CABINET - see page 1.1.3	
2		HEAT EXCHANGER - see page 2.1.1	
3		CONTROL PANEL & COVER - see page 2.1.3	
4		PUMP 2.1.5	
5		BURNER - see page 2.1.9	
6		GAS LINE - see page 2.1.17	
7		GLYCOL TANK - see page 2.1.19	
8		SUPPLY PLUMBING - see page 2.1.21	
9		RETURN PLUMBING - see page 2.1.23	
10		CHIMNEY - see page 2.1.27	
11		LIFT FRAME - see page 2.1.29	
12		ELECTRICAL - see page 2.1.31	

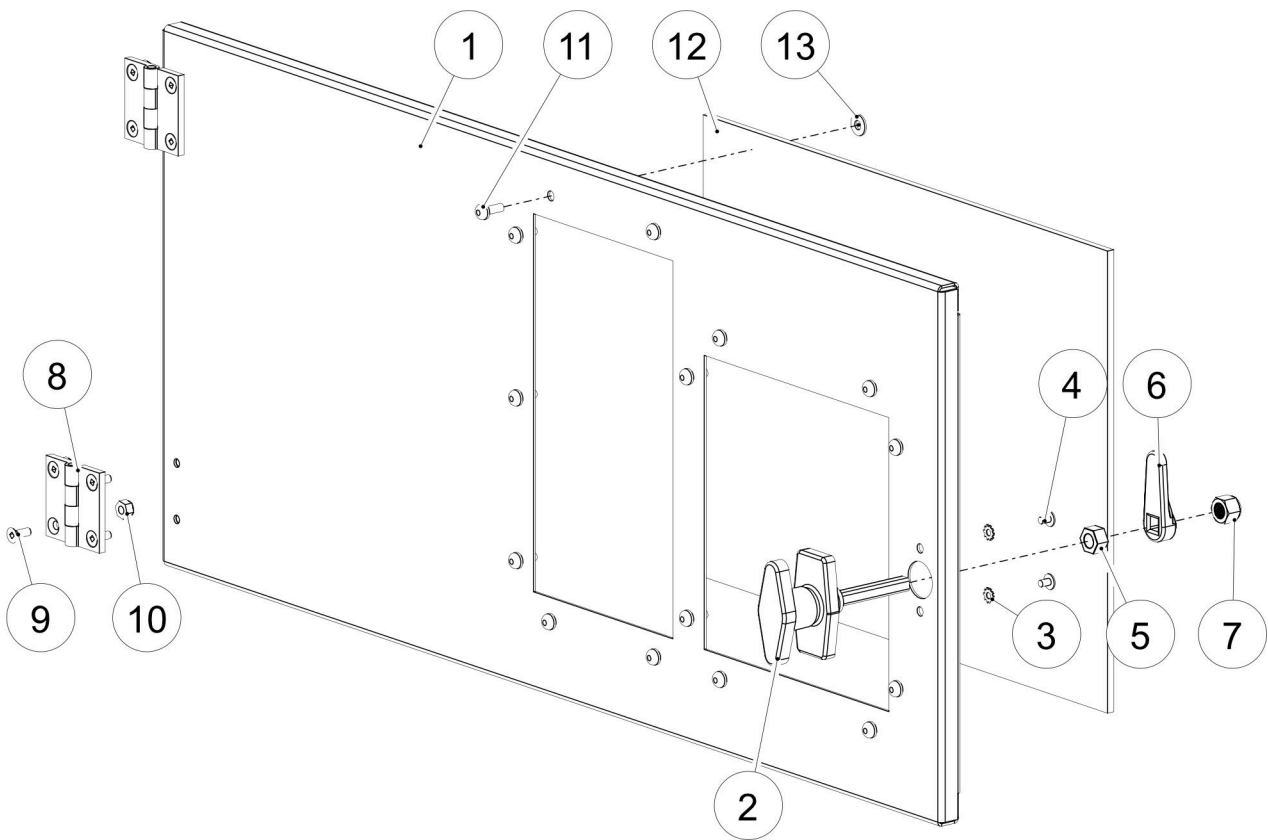




**Central Heating Unit  
2000-1200 Series II  
Cabinet**

S/N: 23114 -  
S/N: Current  
PAGE: 1.1.4

Item No.	Part No.	Description	Qty.
1		CONTROL PANEL DOOR - see page 1.1.5	
2		CONTROL PANEL END DOOR - see page 1.1.7	
3		REAR DOOR - see page 1.1.9	
4		FRONT DOOR - see page 1.1.11	
5		TANK END DOOR - see page 1.1.13	
6	004-905984	TOP RAIL CNTRL PNL END 2000-1200	1
	004-906631	TOP RAIL CNTRL PNL END 2000-1200 PNTD BLUE	1
7	004-906429	TOP RAIL 2000-1200	2
	004-906633	TOP RAIL 2000-1200 PNTD BLUE	2
8	004-701392	ROOF SUP MOD2000 CAB RAYPAK	2
	004-903647	ROOF SUP MOD2000 PNTD BLUE	2
9	004-906428	TOP RAIL TANK END 2000-1200	1
	004-906632	TOP RAIL TANK END 2000-1200 PNTD BLUE	1
10	004-905974	CORNER POST A 2000-1200	1
	004-906634	CORNER POST A 2000-1200 PNTD BLUE	1
11	004-905976	CORNER POST D 2000-1200	1
	004-906637	CORNER POST D 2000-1200 PNTD BLUE	1
12	004-906430	CORNER POST C 2000-1200	1
	004-906636	CORNER POST C 2000-1200 PNTD BLUE	1
13	004-905975	CORNER POST B 2000-1200	1
	004-906635	CORNER POST B 2000-1200 PNTD BLUE	1
14	004-905977	POST DOOR F 2000-1200	2
	004-906638	POST DOOR F 2000-1200 PNTD BLUE	2
15	004-701390	DOOR RTNR PNL END MOD2000 CAB RAYPAK	1
	004-903645	DOOR RTNR PNL END MOD2000 PNTD BLUE	1
16	004-701389	DOOR RTNR TOP SIDE MOD2000 CAB RAYPAK	2
	004-903644	DOOR RTNR TOP SIDE MOD2000 PNTD BLUE	2
17	004-701391	DOOR RTNR TANK END MOD2000 CAB RAYPAK R01	1
	004-903646	DOOR RTNR TANK END MOD2000 PNTD BLUE	1
18	004-701410	BRKT GASLINE DISC MOD2000 CAB RAYPAK	1
	004-903657	BRKT GASLINE DISC MOD2000 PNTD BLUE	1
19	004-906427	ROOF PNL 2000-1200	1
	004-906639	ROOF PNL 2000-1200 PNTD BLUE	1
20	004-701388	ROOF FLSHG DISK TANK MOD2000 CAB RAYPAK	2
	004-903643	ROOF FLSHG DISK TANK MOD2000 PNTD BLUE	2
21	004-701405	BRKT TANK HOSE RTNR MOD2000 CAB RAYPAK	1
	004-903654	BRKT TANK HOSE RTNR MOD2000 PNTD BLUE	1
22	004-905983	FLOOR 2000-1200	1
	004-906640	FLOOR 2000-1200 PNTD BLUE	1
23	004-905897	BASE CW LIFTING FRAME MNTS 2100-1200	1
24	001-700739	BOLT 1/4X1 PLD GR5	18
25	001-700743	BOLT 5/16X1 PLD GR5	8
26	001-700129	WSHR FLT 1/4 PLD	18
27	001-900761	NUT PNL RTNR 1/4	18
28	001-700958	BOLT 5/16X3/4 PLD GR5	60
29	001-700742	WSHR FLT 5/16 PLD	136
30	001-700741	NUT LKG NYL 5/16 UNC PLD	68
31	001-902717	BOLT 1/4X7/8 UNC KNURL PLSTC HD	4
32	001-703408	INSERT THD 1/4 UNC RND BODY .027-.165 GRP	4
33	001-701484	SCRW MACH 10-24X3/4 PANHEAD	16
34	001-704560	INSERT THD 10-24 RND BODY	16

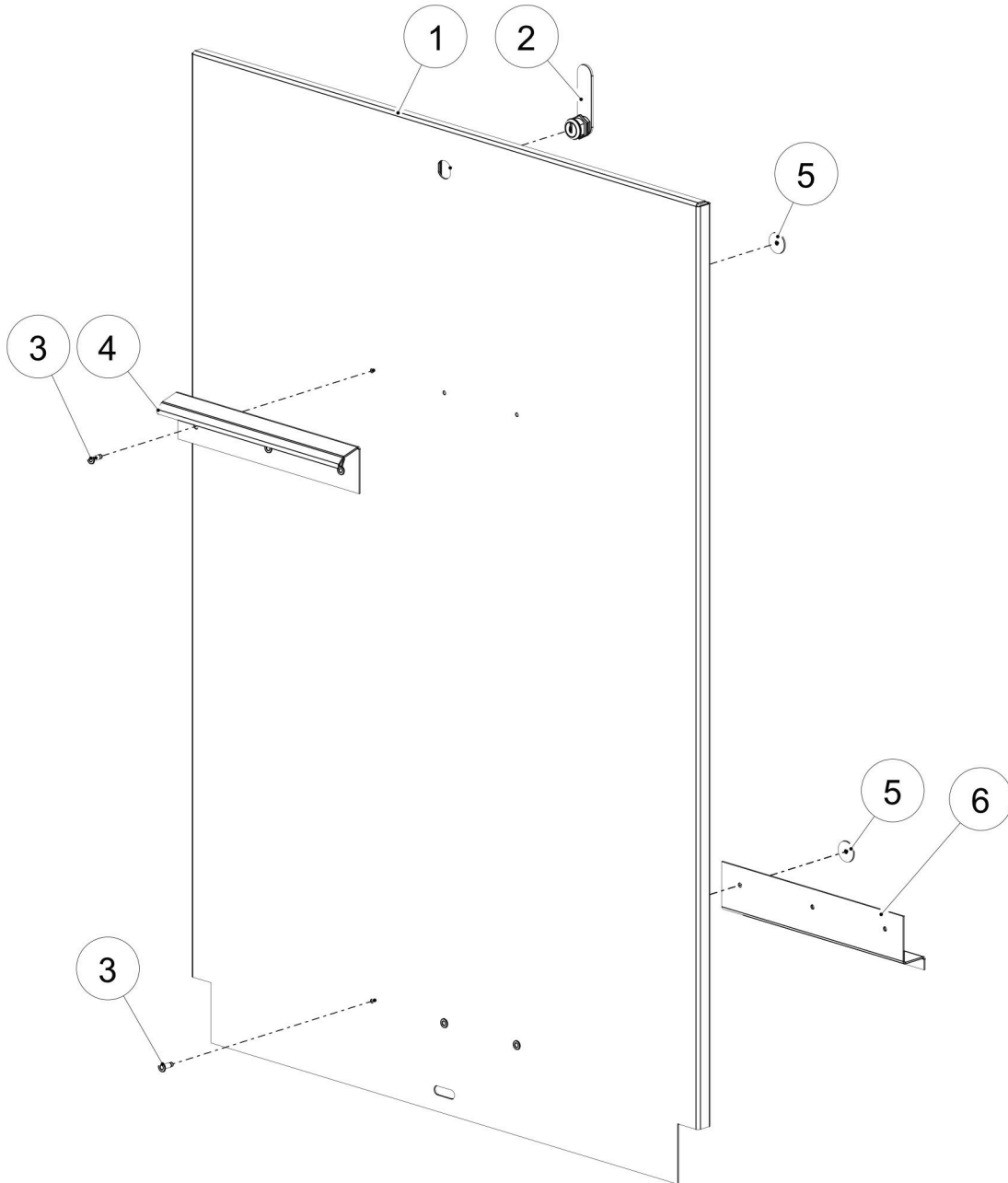




**Central Heating Unit  
2000-1200 Series II  
Control Panel Door**

S/N: 23114 -  
S/N: Current  
PAGE: 1.1.6

Item No.	Part No.	Description	Qty.
	<b>018-906019</b>	<b>ASSY CNTRL PNL DOOR SIDE OPEN 2000-1200</b> (Includes 1-13)	<b>1</b>
	<b>018-906612</b>	<b>ASSY CNTRL PNL DOOR SIDE OPEN 2000-1200 PNTD BLUE</b> (Includes 1-13)	<b>1</b>
	<b>018-905858</b>	<b>PKG HNDL T-LKG CHROME 2.5IN CH751 CW CAM &amp; NUT</b> (Includes 2-7 & Key)	<b>1</b>
1	004-905993	CNTRL PNL DOOR SIDE OPEN 2000-1200	1
	004-906613	CNTRL PNL DOOR SIDE OPEN 2000-1200 PNTD BLUE	1
2	017-904514	HNDL T-LKG CHROME 2.5IN THRD SHAFT CH751 KEY	1
3	001-900778	WSHR STAR #8 STUD EXT TOOTH	2
4	001-900779	SCRW MACH 8-32X1/4 PANHEAD	2
5	001-704695	NUT 3/8-24 UNF	1
6	017-704694	LOCK CAM C15 ZINC	1
7	001-903811	NUT LKG NYL 3/8 UNF 24THRD GR5 PLD	1
8	017-900607	HINGE SURFACE-MT 316 SS POLISHED 2H X 2W	2
9	001-904283	SCRW MACH 10-24X1/2L FLAT HD ZNC SQ DR	8
10	001-703910	NUT LKG #10-24 SS UNC	8
11	001-901250	RIVET 3/16D X 1/2GRP ALUM	15
12	004-906020	WINDOW POLY CARB 11 X 14-1/2	1
13	001-701185	WSHR FLT #10 SAE PLD	15
		The following components may not be shown	
	006-904755	KEY CH751 T-LKG HNDL CHROME 4IN	

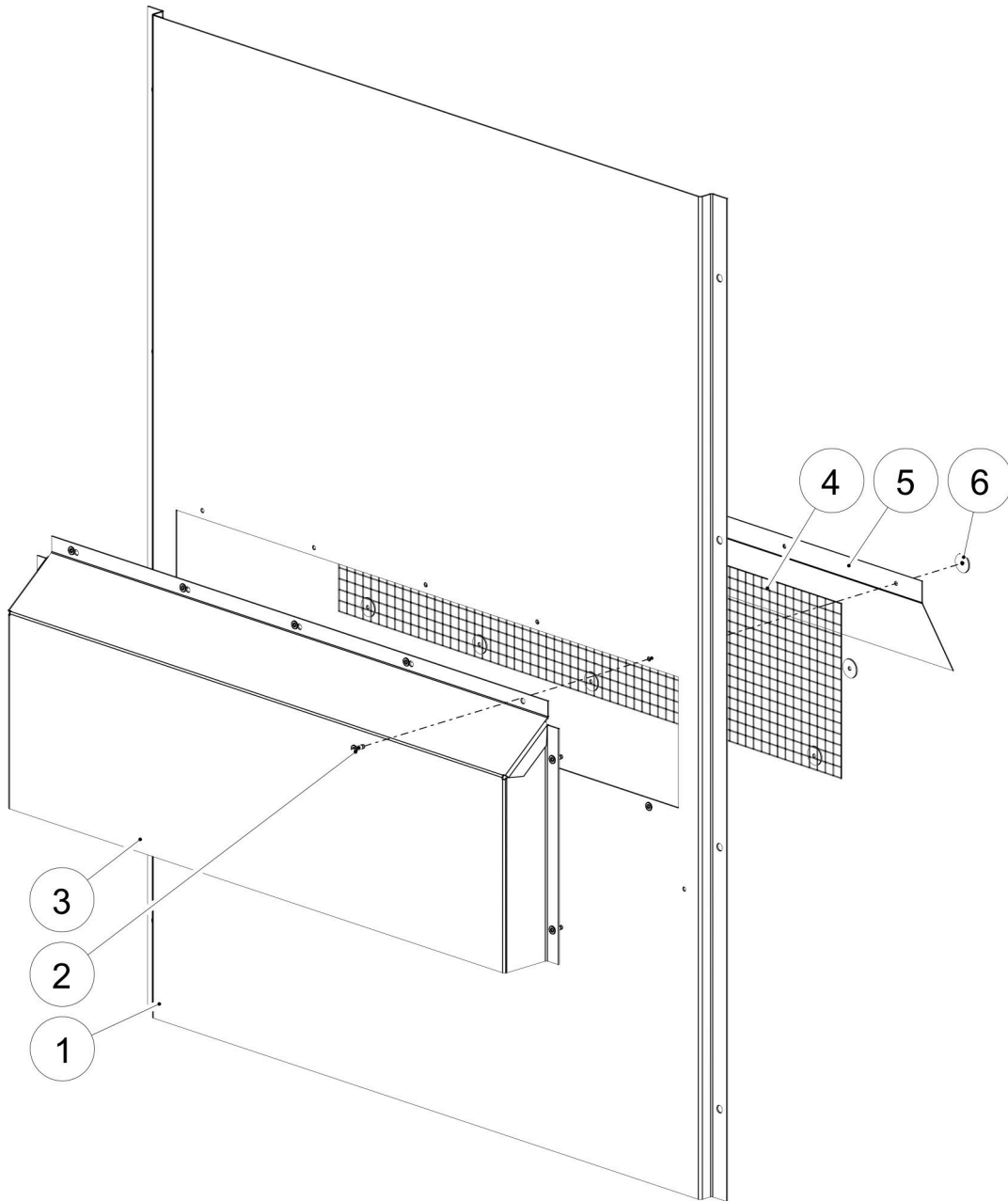




**Central Heating Unit  
2000-1200 Series II  
Control Panel End Door**

S/N: 23114 -  
S/N: Current  
PAGE: 1.1.8

Item No.	Part No.	Description	Qty.
	<b>018-906015</b>	<b>ASSY DOOR CNTRL PNL END 2000-1200</b> (Includes 1-6)	<b>1</b>
	<b>018-906614</b>	<b>ASSY DOOR CNTRL PNL END 2000-1200 PNTD BLUE</b> (Includes 1-6)	<b>1</b>
1	004-905980	DOOR CNTRL PNL END 2000-1200	1
	004-906615	DOOR CNTRL PNL END 2000-1200 PNTD BLUE	1
2	001-702091	LOCK CAM 545 5/8X2-1/2 WR	1
3	001-700803	RIVET 5/32 GRP .3125-.375 SS	6
4	004-701399	HNDL MOD2000 CAB RAYPAK R01	1
	004-903612	HNDL MOD2000 CAB PNTD BLUE	1
5	001-701208	WSHR FNDR 7/8X5/32 PLD	6
6	004-906600	BRKT DOOR RETAINER 2000-1200	1
		The following components may not be shown	
	001-702305	KEY FOR 545 CAM LOCK 5/8 X 2-1/2	



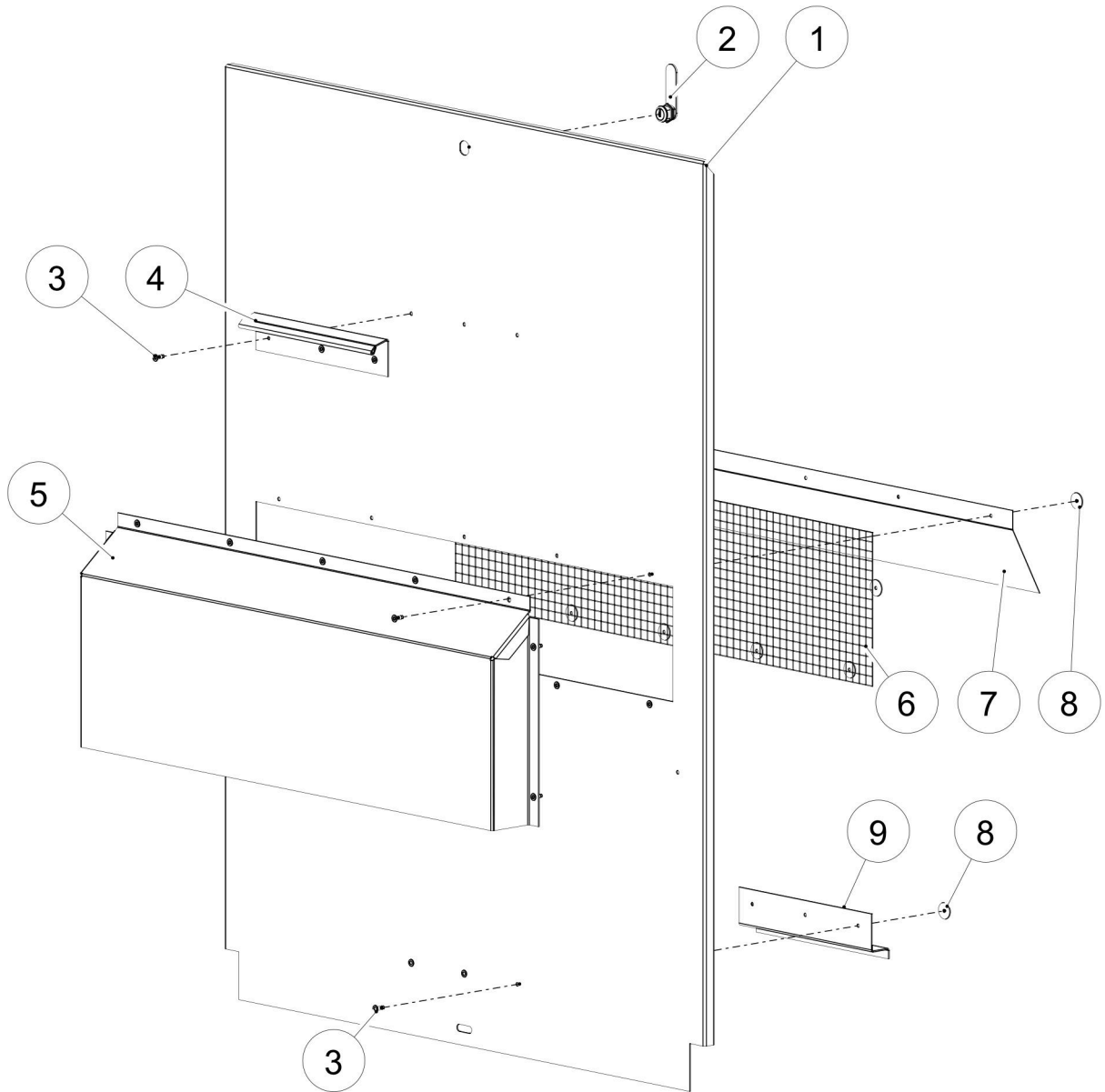




**Central Heating Unit  
2000-1200 Series II  
Rear Door**

S/N: 23114 -  
S/N: Current  
PAGE: 1.1.10

Item No.	Part No.	Description	Qty.
	<b>018-906013</b>	<b>ASSY DOOR REAR SCREW-IN 2000-1200</b> (Includes 1-6)	<b>2</b>
	<b>018-906620</b>	<b>ASSY DOOR REAR SCREW-IN 2000-1200 PNTD BLUE</b> (Includes 1-6)	<b>2</b>
1	004-905979	DOOR REAR SCRW-IN 2000-1200	1
	004-906621	DOOR REAR SCRW-IN 2000-1200 PNTD BLUE	1
2	001-700803	RIVET 5/32 GRP .3125-.375 SS	14
3	004-906018	VENT INTAKE HOOD 2000-1200	1
	004-906619	VENT INTAKE HOOD 2000-1200 PNTD BLUE	1
4	004-906017	SCREEN 1/2X1/2X8 31-1/2L	1
5	004-906016	AIR DEFLECT HOOD COMBUST 2000-1200	1
6	001-701208	WSHR FNDR 7/8X5/32 PLD	14

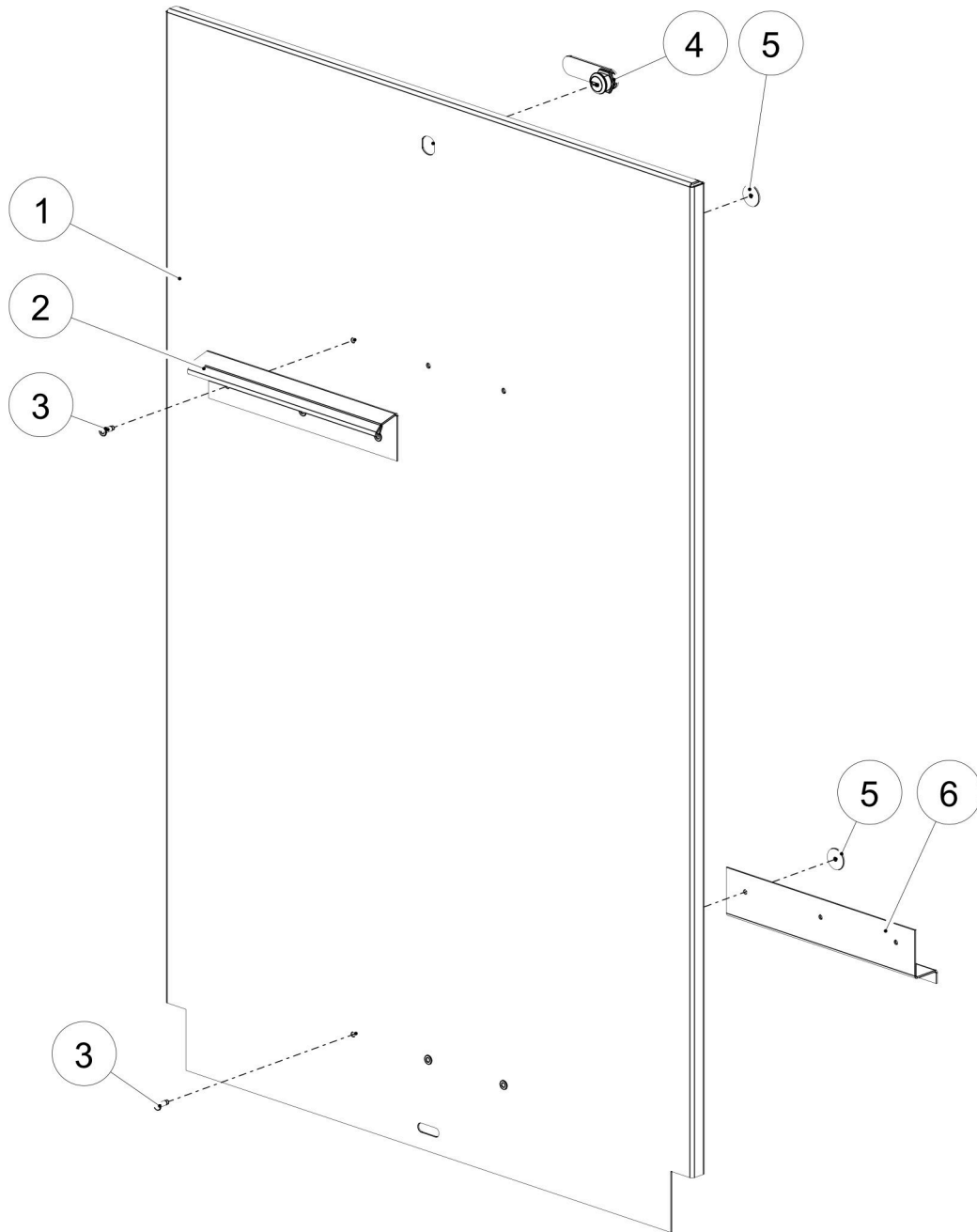




**Central Heating Unit  
2000-1200 Series II  
Front Door**

S/N: 23114 -  
S/N: Current  
PAGE: 1.1.12

Item No.	Part No.	Description	Qty.
	<b>018-906012</b>	<b>ASSY DOOR FRONT 2000-1200</b> (Includes 1-9)	<b>2</b>
	<b>018-906617</b>	<b>ASSY DOOR FRONT 2000-1200 PNTD BLUE</b> (Includes 1-9)	<b>2</b>
1	004-905978	DOOR FRONT 2000-1200	1
	004-906618	DOOR FRONT 2000-1200 PNTD BLUE	1
2	001-702091	LOCK CAM 545 5/8X2-1/2 WR	1
3	001-700803	RIVET 5/32 GRP .3125-.375 SS	20
4	004-701399	HNDL MOD2000 CAB RAYPAK R01	1
	004-903612	HNDL MOD2000 CAB PNTD BLUE	1
5	004-906018	VENT INTAKE HOOD 2000-1200	1
	004-906619	VENT INTAKE HOOD 2000-1200 PNTD BLUE	1
6	004-906017	SCREEN 1/2X1/2X8 31-1/2L	1
7	004-906016	AIR DEFLECT HOOD COMBUST 2000-1200	1
8	001-701208	WSHR FNDR 7/8X5/32 PLD	20
9	004-906600	BRKT DOOR RETAINER 2000-1200	1
		The following components may not be shown	
	001-702305	KEY FOR 545 CAM LOCK 5/8 X 2-1/2	

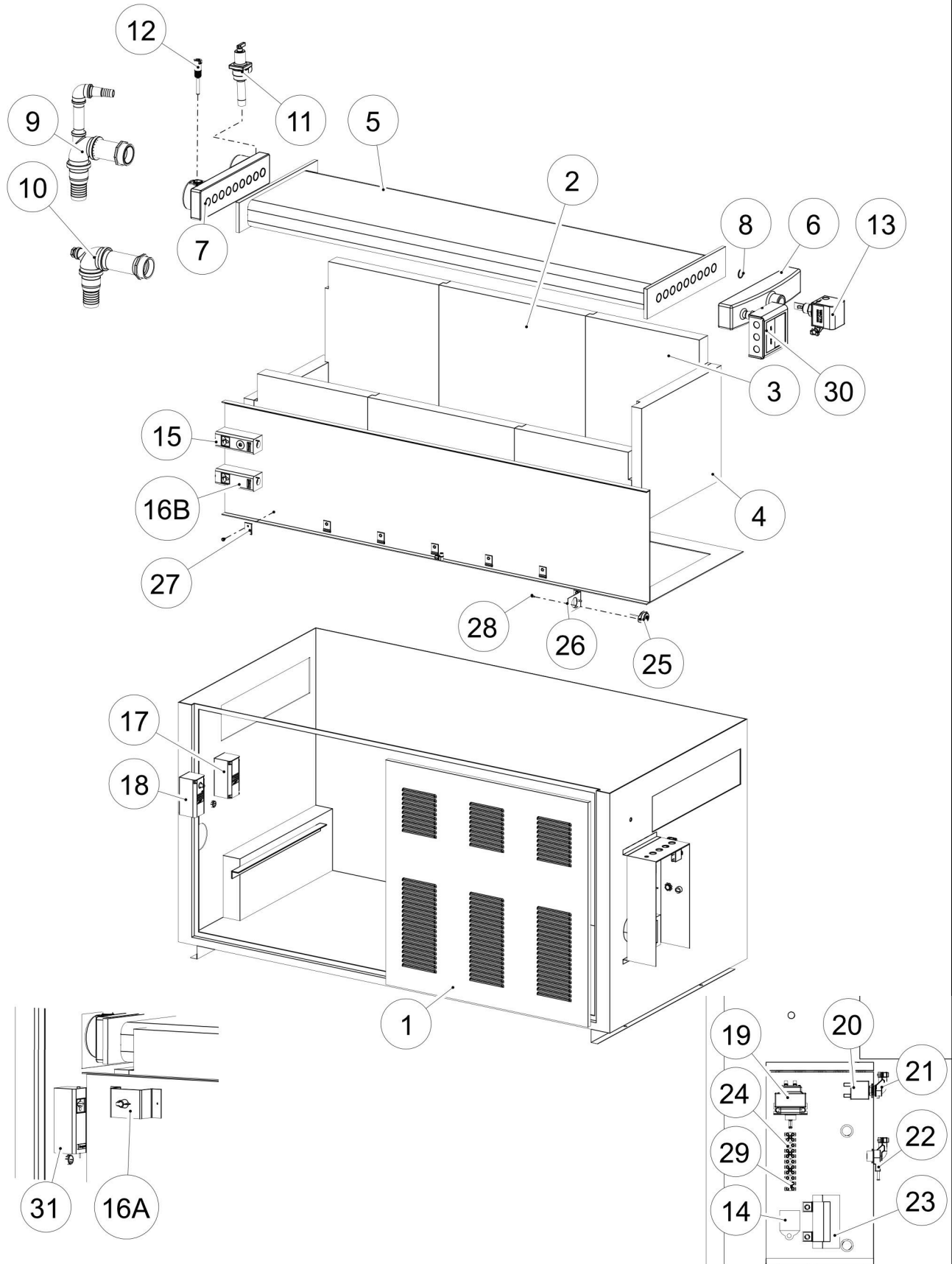




**Central Heating Unit  
2000-1200 Series II  
Tank End Door**

S/N: 23114 -  
S/N: Current  
PAGE: 1.1.14

Item No.	Part No.	Description	Qty.
	<b>018-906014</b>	<b>ASSY DOOR TANK END 2000-1200</b> (Includes 1-6)	<b>1</b>
	<b>018-906622</b>	<b>ASSY DOOR TANK END 2000-1200 PNTD BLUE</b> (Includes 1-6)	<b>1</b>
1	004-905981	DOOR TANK END 2000-1200	1
	004-906623	DOOR TANK END 2000-1200 PNTD BLUE	1
2	004-701399	HNDL MOD2000 CAB RAYPAK R01	1
	004-903612	HNDL MOD2000 CAB PNTD BLUE	1
3	001-700803	RIVET 5/32 GRP .3125-.375 SS	6
4	001-702091	LOCK CAM 545 5/8X2-1/2 WR	1
5	001-701208	WSHR FNDR 7/8X5/32 PLD	6
6	004-906600	BRKT DOOR RETAINER 2000-1200	1
		The following components may not be shown	
	001-702305	KEY FOR 545 CAM LOCK 5/8 X 2-1/2	

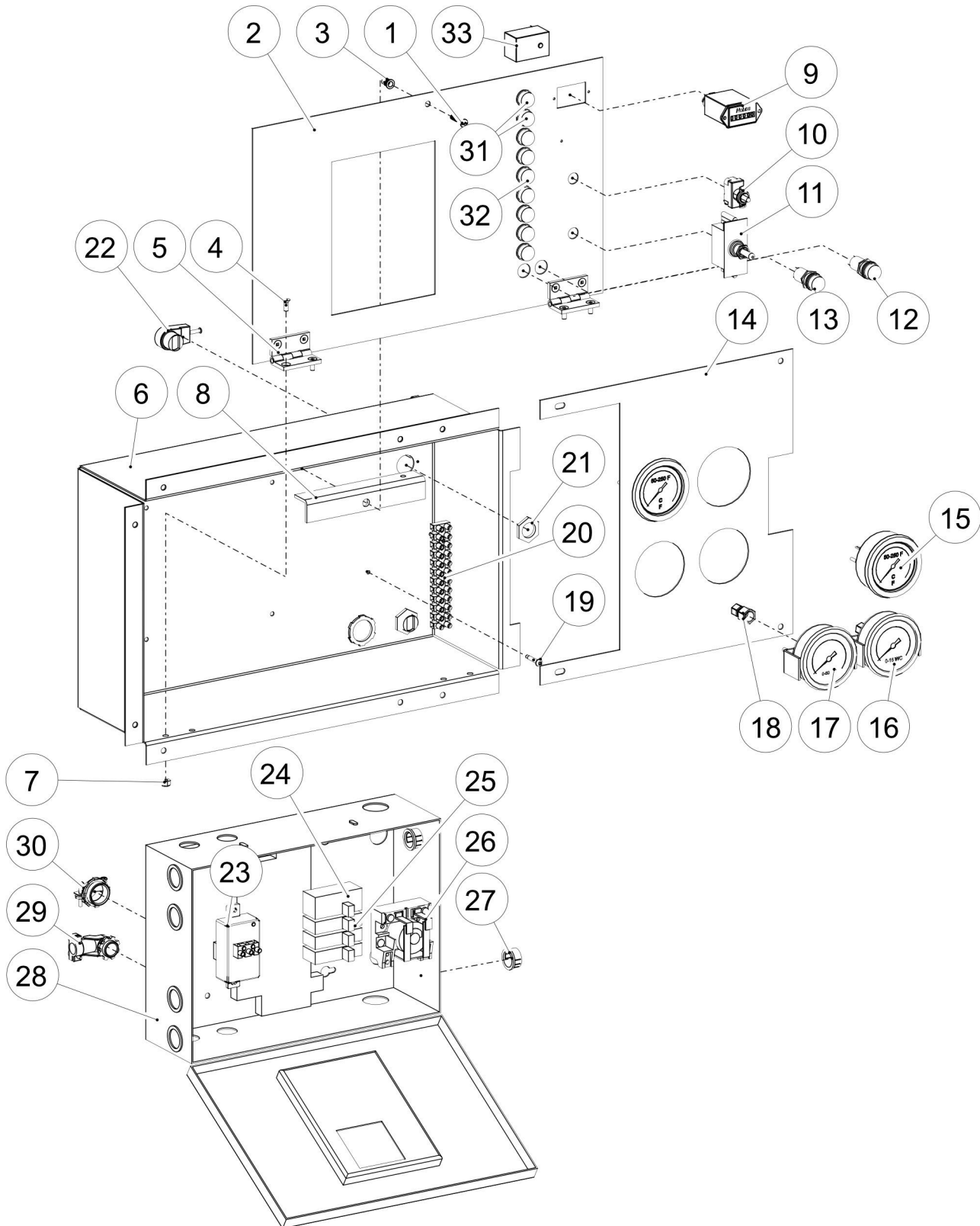




**Central Heating Unit  
2000-1200 Series II  
Heat Exchanger**

S/N: 23114 -  
S/N: Current  
PAGE: 2.1.2

Item No.	Part No.	Description	Qty.
1	006-703371	DOOR RAYPAK HEAT EXCHANGER MOD 1223	2
2	006-701811	BRICK CENTER RAYPAK	2
3	006-701810	BRICK CORNER RAYPAK	4
4	006-701812	BRICK END RAYPAK	2
5	006-702997	HEAT EXCH TUBE BDL RAYPAK MOD 1223	1
6	006-702250	HEADER RETURN CAST IRON 9 TUBE, 2 PASS 350660	1
7	006-702248	HEADER IN/OUT CAST IRON 2 1/2IN 9 TUBE, 2 PASS	1
8	006-701548	GSKT RTRN HDR MOD 1223/305	18
9	018-701614	PKG PLMB SPLY HEAT EXCHANGER RAYPAK CAB	1
10	018-701615	PKG PLMB RETURN HEAT EXCHANGER RAYPAK CAB	1
11	006-700879	VLV SAFETY PRESS RLF 60PSI 3/4X3/4	1
12	005-704272	WELL THERM BULB ASSY 1/2IN NPT	1
13	006-700778	CNTRL FLOW MULT PADDLE	1
14	006-701986	RELAY (G6 ONLY)	2
15	006-702140	CNTRL HI LIMIT MAN RESET	1
16A	006-701532 006-904930	HI-LIMIT G1-11452 (1223) KNOB HI LIMIT PLASTIC 1 1-4 Head 8-32 Set Screw	1
16B	006-702898	CONT HI LIMIT AUTO RESET L4008A1015 HONEYWELL	1
17	006-702127	SYSTEMS 350 STAG MODULE	1
18	006-702126 006-702391	ELECTRONIC TEMP CONTROL A350 (Includes Temp Sensor) TEMP SENSOR A99BC-25	1
19	006-701213	XFMR 40VA 120V 60HZ 24V CLASS 2	1
20	002-703116	BRKR CKT 3A SP PUSH-TO-RESET	1
21	002-800025	CONNECTOR 3/8 90DEG BX/FLEX	3
22	002-800026	CONNECTOR 3/8 BX/MND/FLEX	1
23	006-703164	IGN MDL HONEYWELL S8600H 90SEC LKOUT 100% SO	1
24	002-702013	TERM STRIP-12POLE	1
25	005-702295	SW FLAMEROLLOUT 350F 60IN THERMODISK	1
26	010-701507	BRKT ROLL OUT SW	1
27	010-703407	CLIP 1X1-1/2 CW HOLE	6
28	001-700630	SCRW D/T 10-16X1/2 5/16HEX HD PLD	10
29	001-702953	SCRW SH MET #6X3/4 PAN HD	4
30	006-700191	LOW WATER CUT-OFF CW PROBE	1
31	006-701210	THERMO/AQUA 2STG HI-RNG HONEYWELL (Old style, was replaced by 17,18)	1
		The following components may not be shown	
	011-701175	CPRSN FTG CON 1/4TX1/4 FPT	2
	011-901721	VENT UMBRELLA TYPE 1/4 MNPT	1
	014-700458	PIPE SOFT COP 1/4ODX.03W ASTM B280	11FT
	011-702702	PLUG BRS 1/2 NPT SQ HD	1
		Parts found in G6, G5, CSD-1 Certified units only	
	002-701813	BLOCK DISTRIBUTION 4 POLE	1
	006-701968	TERM STRIP 2POLE	1



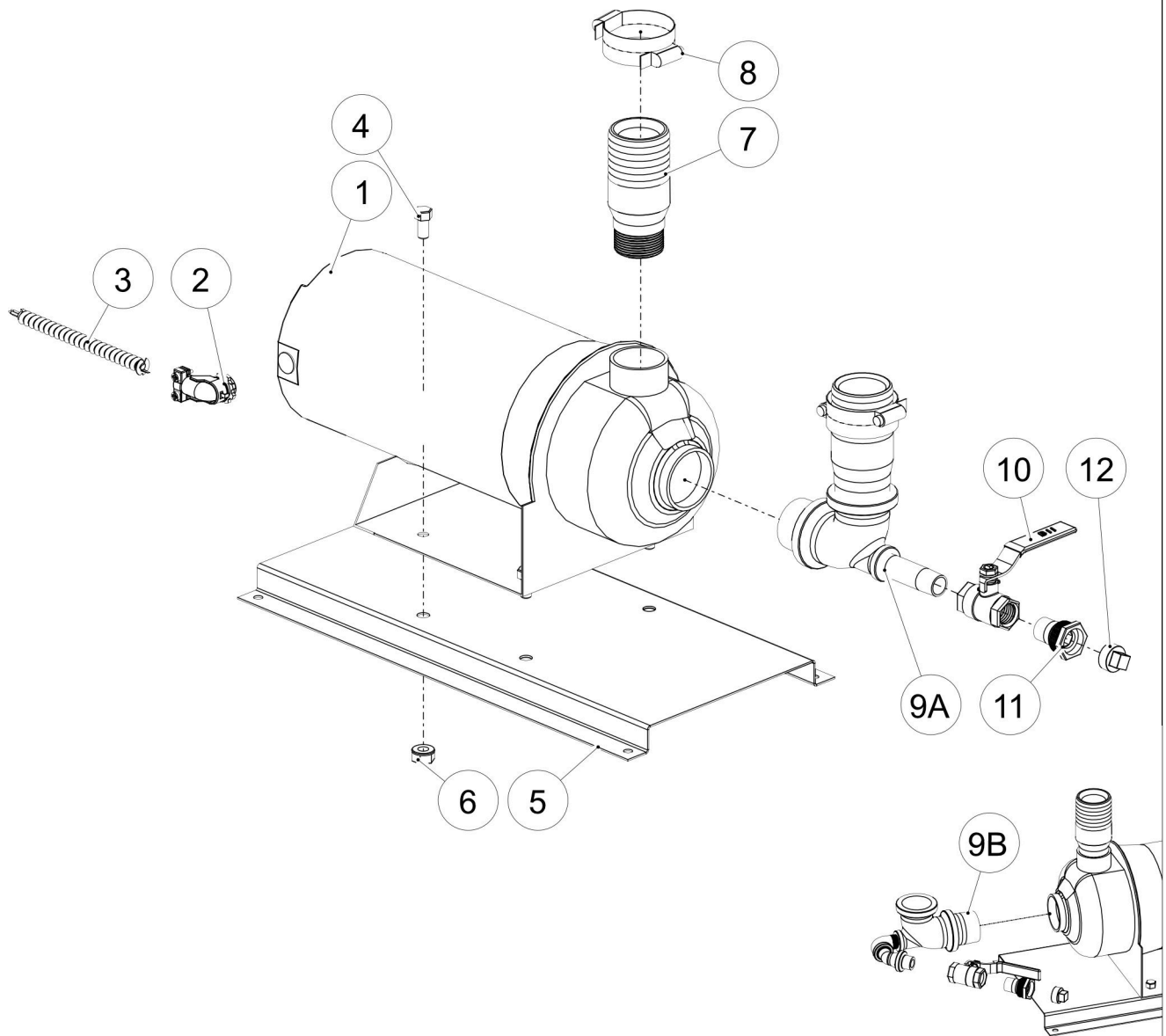




**Central Heating Unit  
2000-1200 Series II  
Control Panel**

S/N: 23114 -  
S/N: Current  
PAGE: 2.1.4

Item No.	Part No.	Description	Qty.
1	001-702337	SCRW MACH 10-24X1 PANHEAD	1
2	004-905972	CNTRL PNL FACEPLATE	1
	004-906625	CNTRL PNL FACEPLATE PNTD BLUE	1
3	001-704560	INSERT THD 10-24 RND BODY	1
4	001-904283	SCRW MACH 10-24X1/2L FLAT HD ZNC SQ DR	8
5	017-900607	HINGE SURFACE-MT 316 SS POLISHED 2H X 2W	2
6	004-906002	CNTRL PNL BOX 2000-1200	1
	004-906626	CNTRL PNL BOX 2000-1200 PNTD BLUE	1
7	001-703910	NUT LKG #10-24 SS UNC	8
8	004-905971	CNTRL PNL FACEPLATE MNT	1
	004-906627	CNTRL PNL FACEPLATE MNT PNTD BLUE	1
9	002-703051	METER HOUR 120VAC RECT 2-SCRW	1
10	002-701359	SW TGL SPST 20A 125V SCRW TERM	1
11	002-701360	SW TGL DPST 2HP 250V 20A	1
12	002-902176	LAMPHLDR SOCKET BAY T3-1/4 CW RED LENSE	1
13	002-902175	LAMPHLDR SOCKET BAY T3-1/4 CW GREEN LENSE	10
14	004-905995	GAUGE MNT PLT 2000-1200	1
	004-906628	GAUGE MNT PLT 2000-1200 PNTD BLUE	1
15	005-701073	GAUGE TEMP 60IN CPLRY 40-240DEG F WIKA	2
16	005-703490	GAUGE LO-PRESS 0-15IN WC PNL 2-1/2IN WIKA	1
17	005-703489	GAUGE PRESS 0-60PSI PNL 2-1/2IN WIKA	1
18	011-701175	CPRSN FTG CON 1/4TX1/4 FPT	2
19	001-704571	SCRW SH MET #8x1 PAN HD SQ SS	2
20	002-702013	TERM STRIP-12POLE	1
21	002-902113	LOCKNUT 3/8 STL CONDUIT	5
22	002-800026	CONNECTOR 3/8 BX/MND/FLEX	2
23	002-702014	SURGE SUPPRESSOR-#3800 WM	1
24	002-800066	BRKR PLUG-ON 15A 2P	1
25	002-800040	BRKR PLUG-ON 15A SP	3
26	002-800038	RELAY 120V DPDT 30A/240V	1
27	002-701115	BSHG KO 1/2	2
28	002-800029	BOX PNL Q06121L100TS SQ-D	1
29	002-800025	CONNECTOR 3/8 90DEG BX/FLEX	2
30	002-700137	CONNECTOR 3/4 2SCR CLP	1
31	002-702010	BULB-155MB-155V	2
32	002-702011	BULB-#48MB - 48 VOLT	9
33	002-702015	FLASHER 24-120F60DF	1

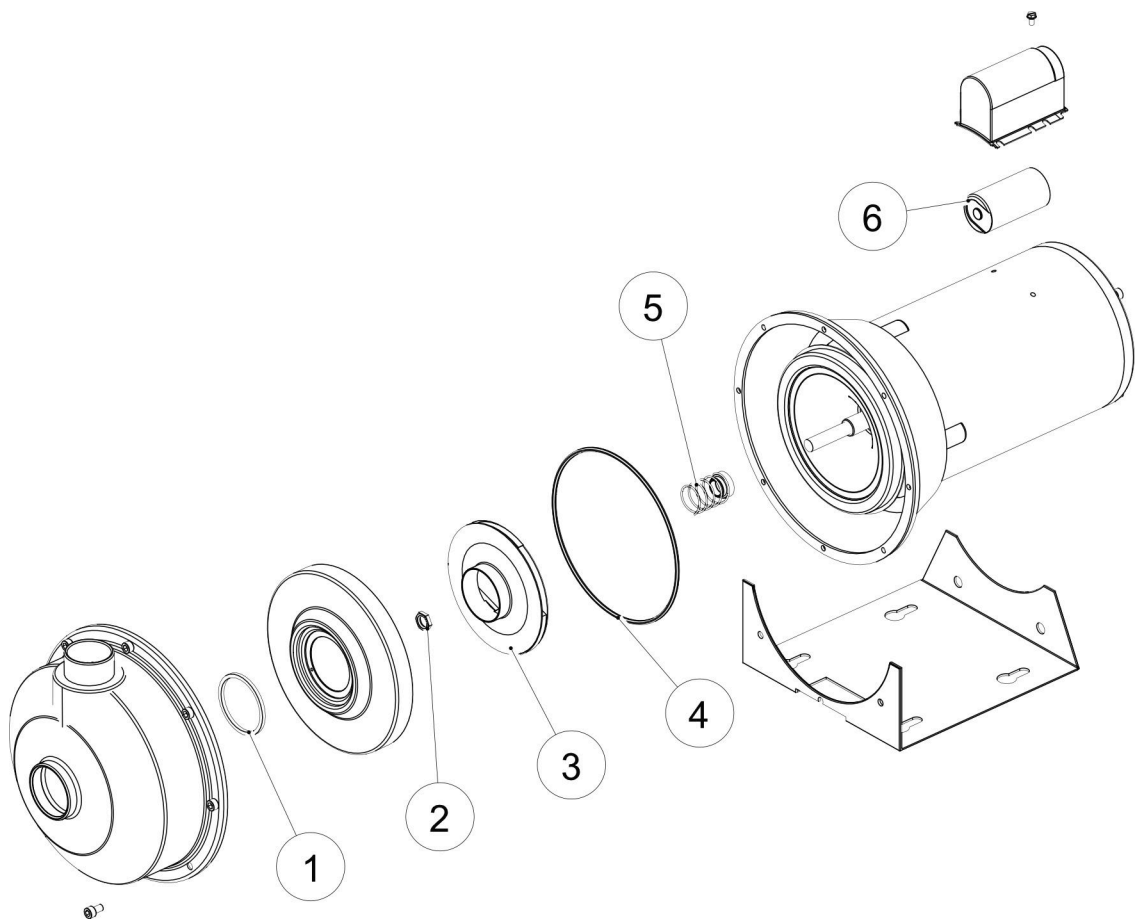




**Central Heating Unit  
2000-1200 Series II  
Pump**

S/N: 23114 -  
S/N: Current  
PAGE: 2.1.6

Item No.	Part No.	Description	Qty.
1	012-800055	PUMP - see page 2.1.7	
2	002-800025	CONNECTOR 3/8 90DEG BX/FLEX	1
3	002-800009	CABLE BX COPXLL 2C14 AC-90	8 FT
4	001-700434	BOLT 3/8X3/4 PLD GR5	4
5	004-701407	BRKT PUMP MT MOD2000 CAB RAYPAK	1
6	001-700721	NUT LKG NYL 3/8 UNC PLD	4
7	011-702056	NIPL COMB 1-1/4NPTX2HB PNTD BLK	1
8A	001-700337	CLP HOSE HS32 2-1/2 SLTD HEX HD SS	4
8B	001-901471	CLP HOSE HEAVY-DUTY 59-63MM <small>Recommended</small>	2
9A	018-701617	PKG PLMB PUMP SPLY/RAYPAK CAB R01	1
9B	018-906963	PKG PLMB PUMP SPLY-RAYPAK CAB SERIES II <small>Recommended</small>	1
10	011-700115	VLV BALL 1/2 400WOG STD BRS CGA NPTF	1
11	011-700404	CPLR FEM GARD THD 1/2XSWVL NPTM	1
12	011-704470	PLUG GARDEN HOSE MALE BRS	1





# Central Heating Unit 2000-1200 Series II Pump

S/N: 23114 -  
S/N: Current  
PAGE: 2.1.8

Item No.	Description	Part No.				
		012-800052 3/4 HP	012-800053 1 HP	012-905311 2 HP	012-800055 2 HP	012-702751 3 HP
1	SEAL RING GUIDEVANE G & L PUMP	006-703027	006-703008			
2	LOCKNUT IMPELLER G & L PUMP	006-703026				
3	IMPELLER G & L PUMP	006-703028	006-703029	006-703007	006-703030	006-703031
4	O-RING CASING G & L PUMP	006-703006				
5	SEAL MECH G & L PUMP	006-703005				
6A	CAPACITOR PUMP GOULDS	006-701171	006-702799	006-701171		006-703468
6B	CAPACITOR RUN PUMP GOULDS <small>CAPACITOR RATING: 60µF 370V</small>					006-906552
6C	CAPACITOR RUN PUMP GOULDS W/ NIDEC MOTOR <small>CAPACITOR RATING: 40µF 370V</small>					006-906922
6D	CAPACITOR START PUMP GOULDS W/ NIDEC MOTOR <small>CAPACITOR RATING: 233-280µF 165V</small>					006-906923
6E	CAPACITOR PUMP GOULDS W/ NIDEC MOTOR <small>CAPACITOR RATING: 189-227µF 110V</small>	006-906943				

REFER TO PUMP MOTOR NAME PLATE EXAMPLES PRIOR TO ORDERING CAPACITORS

### NIDEC MOTOR NAME PLATE EXAMPLE

		CUST. NO. E09054BBS	
CAT. NO.	MODEL	INS F	AMB 40 °C PH 1 CODE E
TC635WCWB-1534			
TERMINALLY PROTECTED	AUTO	ENC	ODP
		FRAME	56J
		DUTY	CONT
		DATE CODE	
		PROT. CODE	00240
<b>60 HZ DATA</b>		<b>50 HZ DATA</b>	
3	HP	3	HP
3450	RPM	2850	RPM
208-230	VOLTS	220-230	VOLTS
14.0-13.0	F.L.A.	14.0-15.0	F.L.A.
1.15	S.F.A.	1.0	S.F.A.
16.0-14.0	S.F.A.	N/A	S.F.A.
CE IP22			
 SUITABLE FOR FIELD WIRING. USE COPPER CONDUCTORS ONLY.			
<b>WARNING:</b> MOTOR MUST BE GROUNDED IN ACCORDANCE WITH LOCAL AND NATIONAL ELECTRIC CODES. COMPONENT COVER MUST BE IN PLACE BEFORE OPERATING TO PREVENT ELECTRICAL SHOCK OR INJURY.			

### WEG, BLUFFTON MOTOR NAME PLATE EXAMPLE

		MAT 1530627 SERIAL 107319461					
HZ	V	HZ	V				
60	115/208-230	50	115/230				
HP	0.75	HP	0.75				
RPM	3450	RPM	2875				
FLA	9.2/4.6-4.6	FLA	12.2/6.1				
SF	1.5	SF	1.00				
SFA	12.0/6.5-6.0	SFA					
FR	56J	PH	1				
INS	B	TEMP	40°C				
ENC	DP						
CONT	(S1)						
INS	B						
ENC	DP						
CERT ID	4103007456						
DSN	22H0111 8						
WARNING: Always disconnect motor from power supply before servicing. Fatal shock may result if motor frame and adjacent metal are not grounded in compliance with electrical code.							
THERMALLY PROTECTED AUTOMATIC RESET. Motor will restart without warning after protector trips. Do not install this motor on equipment where automatic startup could result in injury.							
 E10797 241536		<table border="1" style="width: 100%; border-collapse: collapse;"> <tr> <th style="width: 50%;">HIGH VOLTAGE</th> <th style="width: 50%;">LOW VOLTAGE</th> </tr> <tr> <td style="text-align: center;">           1 ●            4 ●-BLK(2)            5 ●-Y(9)            2 ●         </td> <td style="text-align: center;">           1 ●            4 ●-Y(9)            5 ●            2 ●-BLK(2)         </td> </tr> </table>		HIGH VOLTAGE	LOW VOLTAGE	1 ● 4 ●-BLK(2) 5 ●-Y(9) 2 ●	1 ● 4 ●-Y(9) 5 ● 2 ●-BLK(2)
HIGH VOLTAGE	LOW VOLTAGE						
1 ● 4 ●-BLK(2) 5 ●-Y(9) 2 ●	1 ● 4 ●-Y(9) 5 ● 2 ●-BLK(2)						



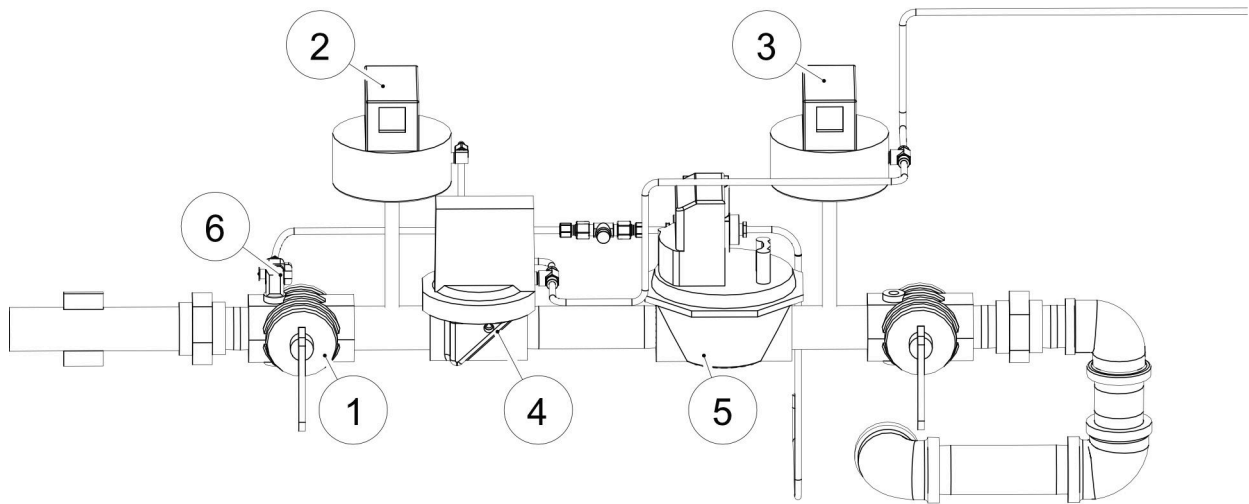


**Central Heating Unit  
2000-1200 Series II  
Burner - CSD-1, CDN Standard**

S/N: 23114 -  
S/N: Current  
PAGE: 2.1.10

Item No.	Part No.	Description	Qty.
	<b>018-702042</b>	<b>PKG CVN RPK CSD-1 NG 0-2000FT 49DMS</b>	<b>1</b>
	<b>018-702043</b>	<b>PKG CVN RPK CSD-1 PN 0-2000FT 57DMS</b>	<b>1</b>
1	006-701862	SIDE BRKT LEFT	1
2	006-701873	SIDE BRKT RIGHT	1
3	006-701863	BACK ANG BRNR TRAY	1
4	006-701864	BRNR SPACER	2
5	006-701867	HOLD DOWN BRKT	2
6	006-701531	BNR RIBBON (75) (1223)	75
7	006-701865	PILOT LINE BRLT	1
8	006-701866	PILOT LINE BRACE	1
9	006-701872	MANF BURNER TRAY	1
10A	006-701516	ORF #49 SE NG	75
10B	006-701523	ORF #50 HE NG 2000-5000FT	75
10C	006-701525	ORF #57 SE LP	75
10D	006-701526	ORF #60 HE LP 5000-7000FT	75
11A	006-701211	PILOT IGN NG Q348A1242B-SPARK W/ORF SIDE MT	1
11B	006-702307	PILOT IGN PG Q348A1242B-SPARK W/ORF SIDE MT	1
11C	006-701533	PILOT ORF LP (1223)	1
11D	006-701743	ORF PILOT NG	1
12A	006-702310	VLV MANUAL GAS 1-1/4 <b>(NG ONLY)</b>	2
12B		VLV MANUAL GAS 1" <b>(LP ONLY)</b> <i>Contact DRYAIR Parts Dept.</i>	2
12C	011-700178	VLV BALL 1-1/4 400WOG FL PT BRS CGA NPTF <b>(NG ONLY)</b>	2
12D	011-700366	VLV BALL 1 400WOG FL PT BRS CGA NPTF <b>(LP ONLY)</b>	2
13A	006-702314	VLV SAFETY GAS V88A <b>(NG ONLY)</b>	1
13B	006-701874	REG HONEYWELL PN V88A1618-3 <b>(LP ONLY)</b>	1
14A	006-702312	VLV GAS 2 STAGE V8844B NAT GAS <b>(NG ONLY)</b>	1
14B	006-701528	VLV GAS 1X1 PN (1223) V8944C1017 <b>(LP ONLY)</b>	1
15	006-701354	VLV GAS H91WS-10-PILOT 24V	1
16	006-701218	PILOT REG NG 4-8IN PRESS RTG	1
17	006-701292	MANUAL PILOT B VLV 1/8	1
18	011-701078	CPRSN FTG ELB 1/4TX1/8 90DEG MPT	1
19	011-701870	FITTING BRS TEE 1/8 MPT	1
		The following components may not be shown	
	006-703985	VLV BLEEDLE 3 X 1/8NPT	
		Gas trains continued next page	





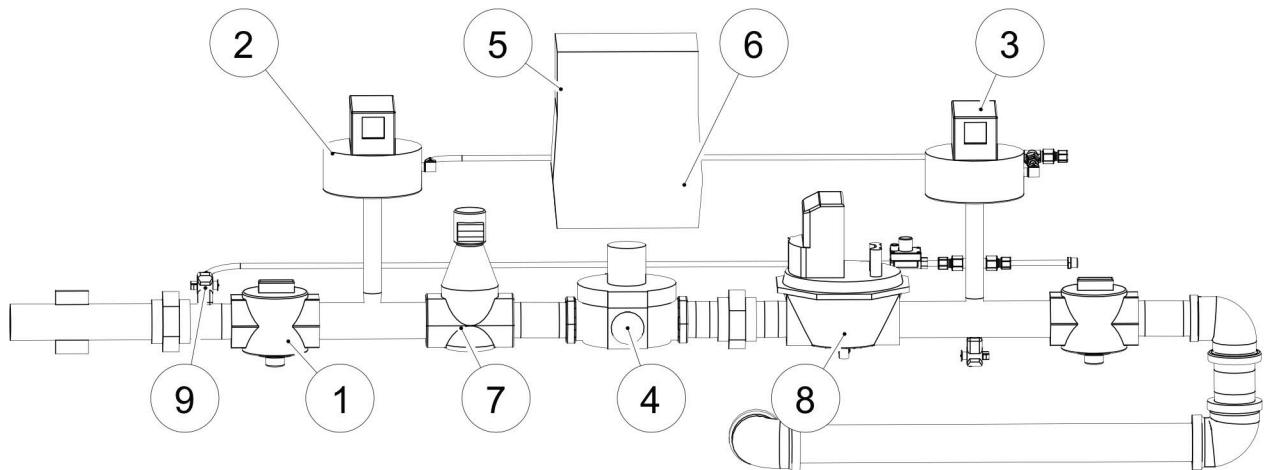




**Central Heating Unit  
2000-1200 Series II  
Gas Train - G5**

S/N: 23114 -  
S/N: Current  
PAGE: 2.1.12

Item No.	Part No.	Description	Qty.
	<b>018-702038</b>	<b>PKG CVN RPK G5 NG 0-2000FT 49DMS</b> (Includes tray components)	<b>1</b>
	<b>018-702039</b>	<b>PKG CVN RPK G5 PN 0-2000FT 57DMS</b> (Includes tray components)	<b>1</b>
1	006-702310	VLV MANUAL GAS 1-1/4	2
2	006-702313	SW GAS PRESSURE ANTUNES LOW 1-6IN WC	1
3	006-702311	SW GAS PRESSURE ANTUNES HIGH 2-16IN WC	1
4	006-702314	VLV SAFETY GAS V88A	1
5	006-701527	VLV GAS 1-1/4X1-1/4 NG (1223) V8944B1027	1
6	006-702315	VLV GAS 2 STAGE V8944C 1-1/4	1





**Central Heating Unit  
2000-1200 Series II  
Gas Train - G6**

S/N: 23114 -  
S/N: Current  
PAGE: 2.1.14

Item No.	Part No.	Description	Qty.
	<b>018-702040</b>	<b>PKG CVN RPK G6 NG 0-2000FT 49DMS</b> (Includes tray components)	<b>1</b>
	<b>018-702041</b>	<b>PKG CVN RPK G6 PN 0-2000FT 57DMS</b> (Includes tray components)	<b>1</b>
1	006-702316	VLV MANUAL LUBECOCK 1-1/4	2
2	006-702313	SW GAS PRESSURE ANTUNES LOW 1-6IN WC	1
3	006-702311	SW GAS PRESSURE ANTUNES HIGH 2-16IN WC	1
4	006-702318	VLV BODY V5055C-1059	1
5	006-702319	ACTUATOR 120 VOLTS V5055A-1007	1
6	006-702320	SW (PROOF OF CLOSURE) 133569	1
7	006-702317	VLV SAFETY GAS 1-1/4 ITT261SF02N3GJ7	1
8	006-701527	VLV GAS 1-1/4X1-1/4 NG (1223) V8944B1027	1
	006-702315	VLV GAS 2 STAGE V8944C 1-1/4	1
9	006-701292	MANUAL PILOT B VLV 1/8	1



**Central Heating Unit  
2000-1200 Series II  
Gas Train - MASS**

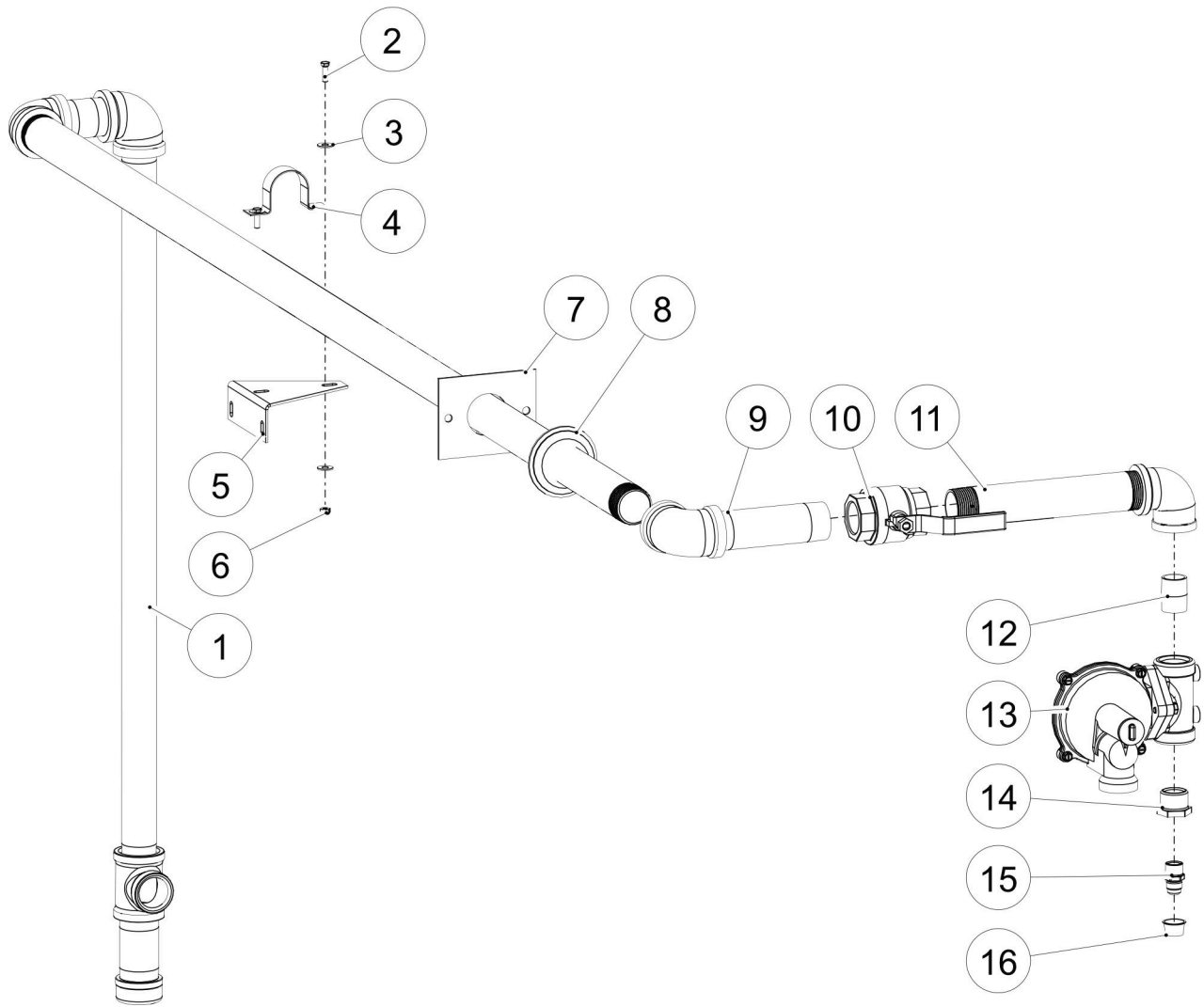
**S/N: 23114 -  
S/N: Current  
PAGE: 2.1.15**



**Central Heating Unit  
2000-1200 Series II  
Gas Train - MASS**

S/N: 23114 -  
S/N: Current  
PAGE: 2.1.16

Item No.	Part No.	Description	Qty.
	018-703418	PKG CVN RPK MASS NG 0-2000FT 49DMS (Includes tray components)	1
	018-703419	PKG CVN RPK MASS PN 0-2000FT 57DMS (Includes tray components)	1
		Call Dryair for support	

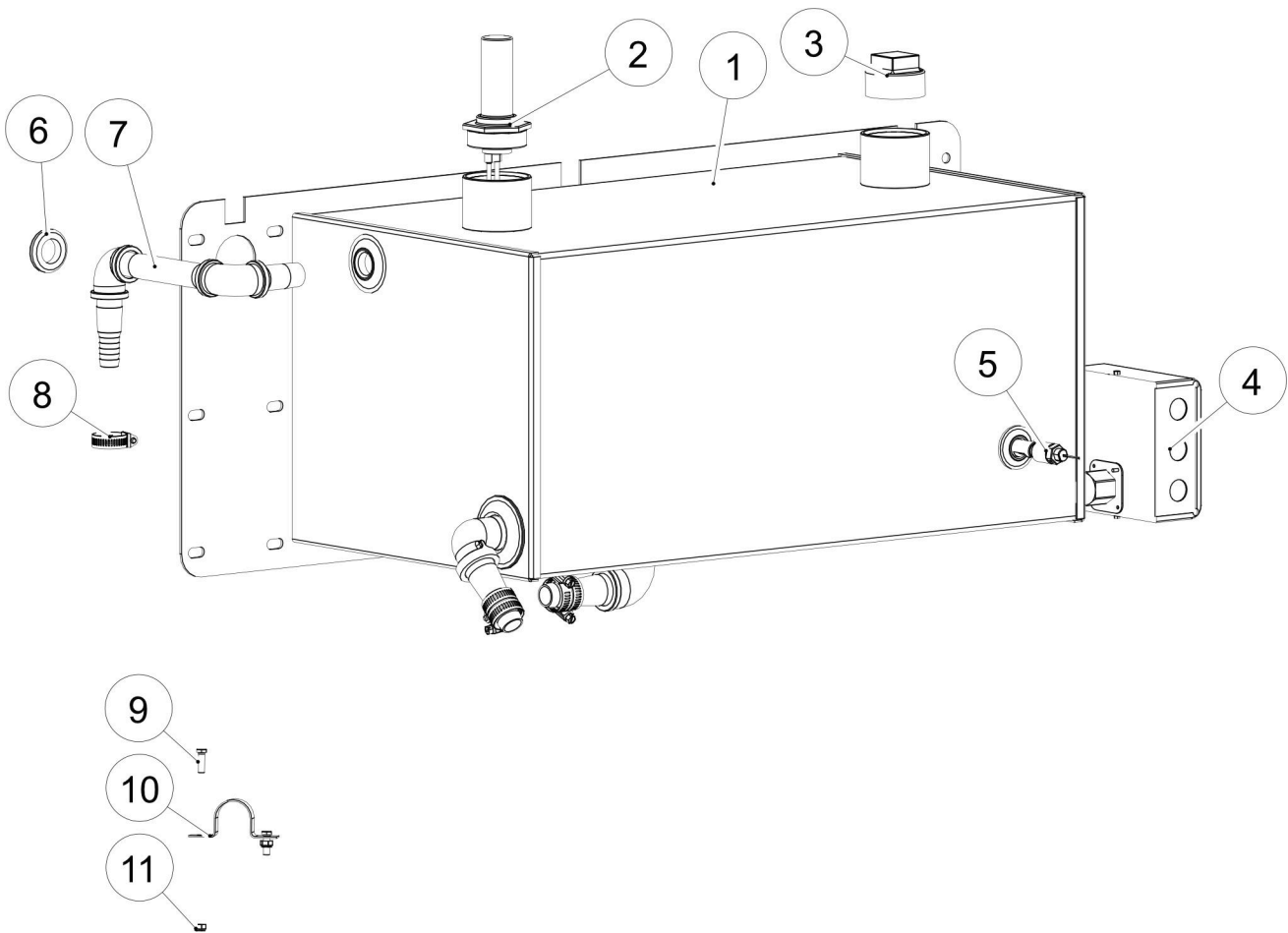




**Central Heating Unit  
2000-1200 Series II  
Gasline & Propane Regulator**

S/N: 23114 -  
S/N: Current  
PAGE: 2.1.18

Item No.	Part No.	Description	Qty.
1	018-701626	PKG GASLINE RAYPAK 1200 CAB	1
2	001-701482	BOLT 1/4X3/4 PLD GR5	2
3	001-700129	WSHR FLT 1/4 PLD	4
4	001-700455	STRP PIPE HGR 1-1/2 LTDTY	1
5	004-701408	BRKT GASLINE CLP MOD2000 CAB RAYPAK	1
6	001-700042	NUT LKG NYL 1/4 UNC PLD	2
7	004-701410	BRKT GASLINE DISC MOD2000 CAB RAYPAK	1
8	009-700194	GROM 1.755X2.875 RBR PIPE 1-1/2	1
9	018-702357	PKG GASLINE RAYPAK 1200 CAB EXT (Includes #10)	1
10	011-700580	VLV BALL 1-1/2 400WOG FL PT BRS CGA NPTF	1
11	004-704792	PLMB EXT RGLTR PN2000-1200R01	1
12	011-703071	NIPL 1X1-1/2(CL) BRS NPT	1
13	005-701409	RGLTR PN NPT 10PSI 4-16WC SPR RNG ADJ	1
14	011-701770	BSHG RDCG 1X1/2 BRS MXF NPT	1
15	011-701769	ADPTR BRS 1/2NPTX1/2SAE 45DEG FLARE	1
16	016-702726	PLUG PLSTC 3/4NPT CW PULL TAB	1



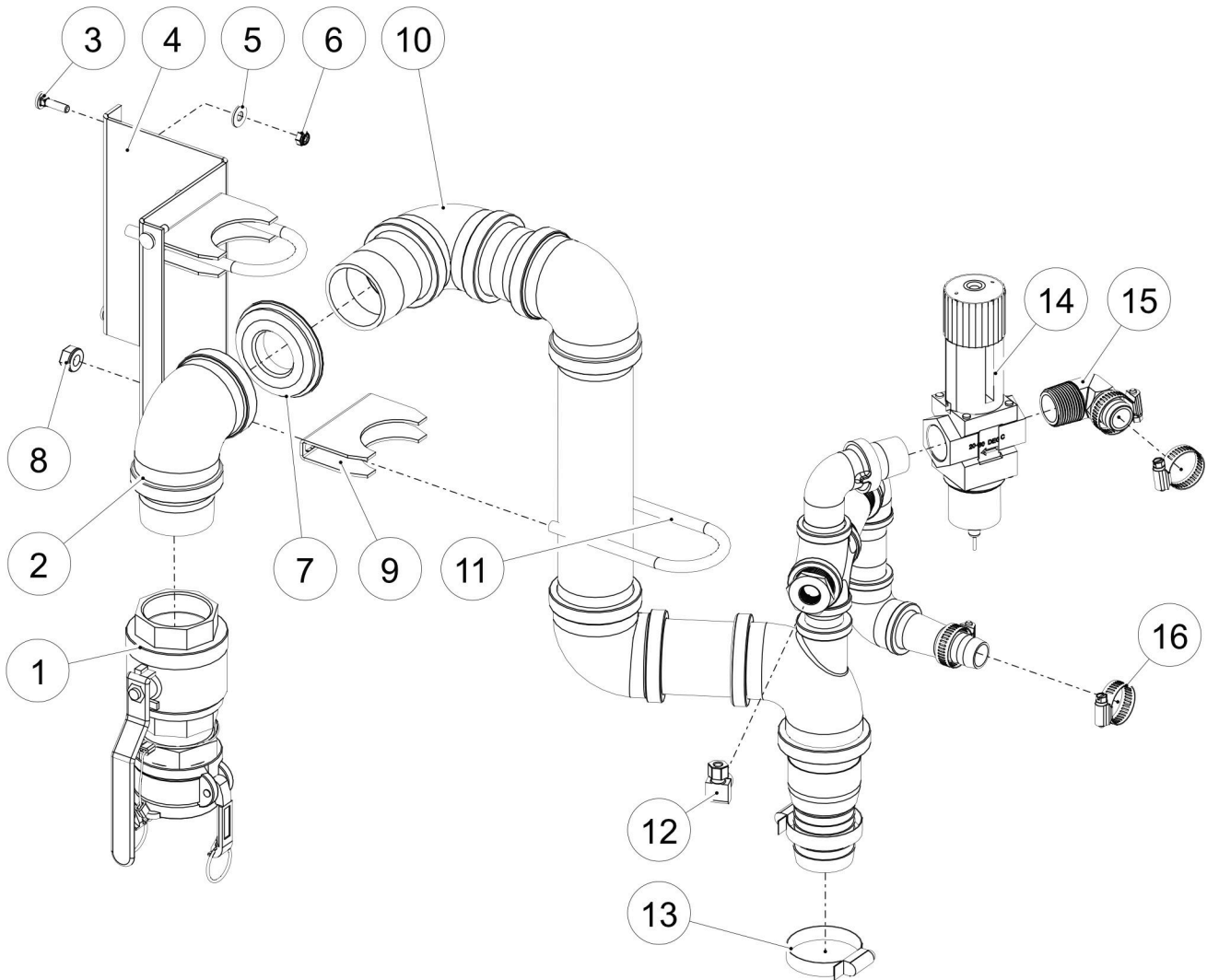




**Central Heating Unit  
2000-1200 Series II  
Glycol Tank**

S/N: 23114 -  
S/N: Current  
PAGE: 2.1.20

Item No.	Part No.	Description	Qty.
1	018-701510	GLY TANK SQUARE R01	1
2	005-703701	GAUGE LVL 13IN SS 2IN NPT	1
3	011-700395	PLUG 2 SQ HD MI NPTM CL150/PN20	1
4	006-700191	LOW WATER CUT-OFF CW PROBE	1
5	002-702012	SW-FLOAT FSH-31	1
6	009-700192	GROM 1X1-3/8 RBR MOD 80 COIL	2
7	018-701620	PKG TANK OVERFLOW RAYPAK CAB R01	1
8	001-700275	CLP HOSE HAS16 SLTD HEX HD SS	5
9	001-701482	BOLT 1/4X3/4 PLD GR5	2
10	001-700453	STRP PIPE HGR 1 LTDTY	1
11	001-700042	NUT LKG NYL 1/4 UNC PLD	2
		The following components may not be shown	
	006-901802	PKG GAUGE LVL GLASS(KRUGER SENTRY)	

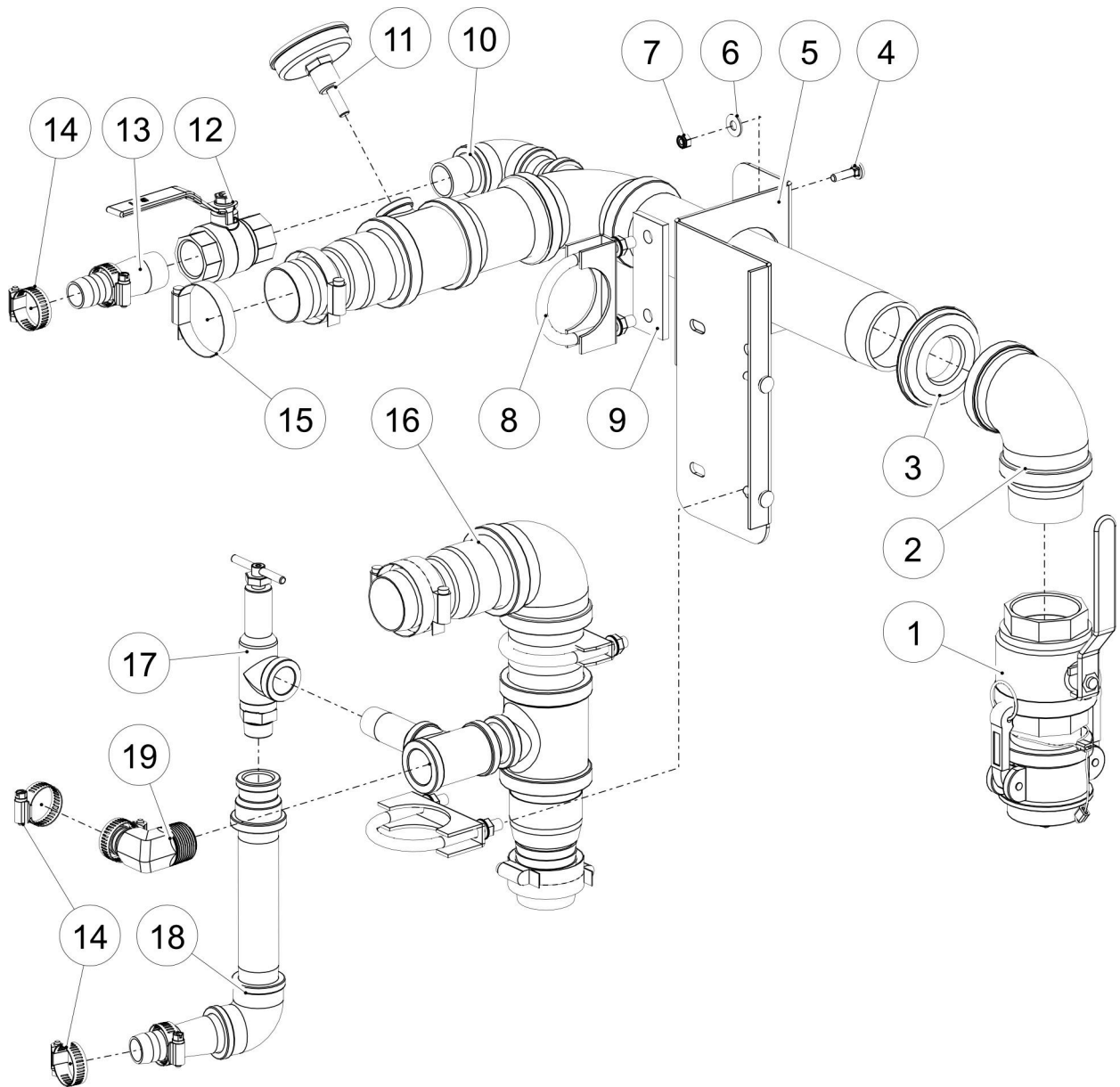




**Central Heating Unit  
2000-1200 Series II  
Supply Plumbing**

S/N: 23114 -  
S/N: 23133  
PAGE: 2.1.22

Item No.	Part No.	Description	Qty.
1		KAMLOCKS - see page 2.1.25	
2	018-701619	PKG EXT PLMB RAYPAK CAB	1
3	001-701423	BOLT CRG 1/4X1 PLTD	4
4	004-905970	BRKT PLMB SPLY 2000-1200	1
	004-906629	BRKT PLMB SPLY 2000-1200 PNTD BLUE	1
5	001-700129	WSHR FLT 1/4 PLD	4
6	001-700042	NUT LKG NYL 1/4 UNC PLD	4
7	009-700157	GROM 2.1X3.25 RBR PIPE 2	1
8	001-700721	NUT LKG NYL 3/8 UNC PLD	4
9	004-700595	SADDLE EXT BODY 2-1/4 MUF CLP 2 PIPE SCH40	2
10	018-906006	SUPPLY PLMB 2000-1200	1
11	001-700596	U-BOLT 3/8X2-1/4X5-1/4 PLD EXT	2
12	011-701077	CPRSN FTG ELB 1/4TX3/8 90DEG MPT	1
13A	001-700337	CLP HOSE HS32 2-1/2 SLTD HEX HD SS	2
13B	001-901471	CLP HOSE HEAVY-DUTY 59-63MM <small>Recommended</small>	1
14	005-700120	VLV MOD DANFOSS AVTB 25 1 TEMP REG	1
15	011-906008	NIPL COMB 1NPT X 1HB 90DEG BRS	1
16	001-700275	CLP HOSE HAS16 SLTD HEX HD SS	4

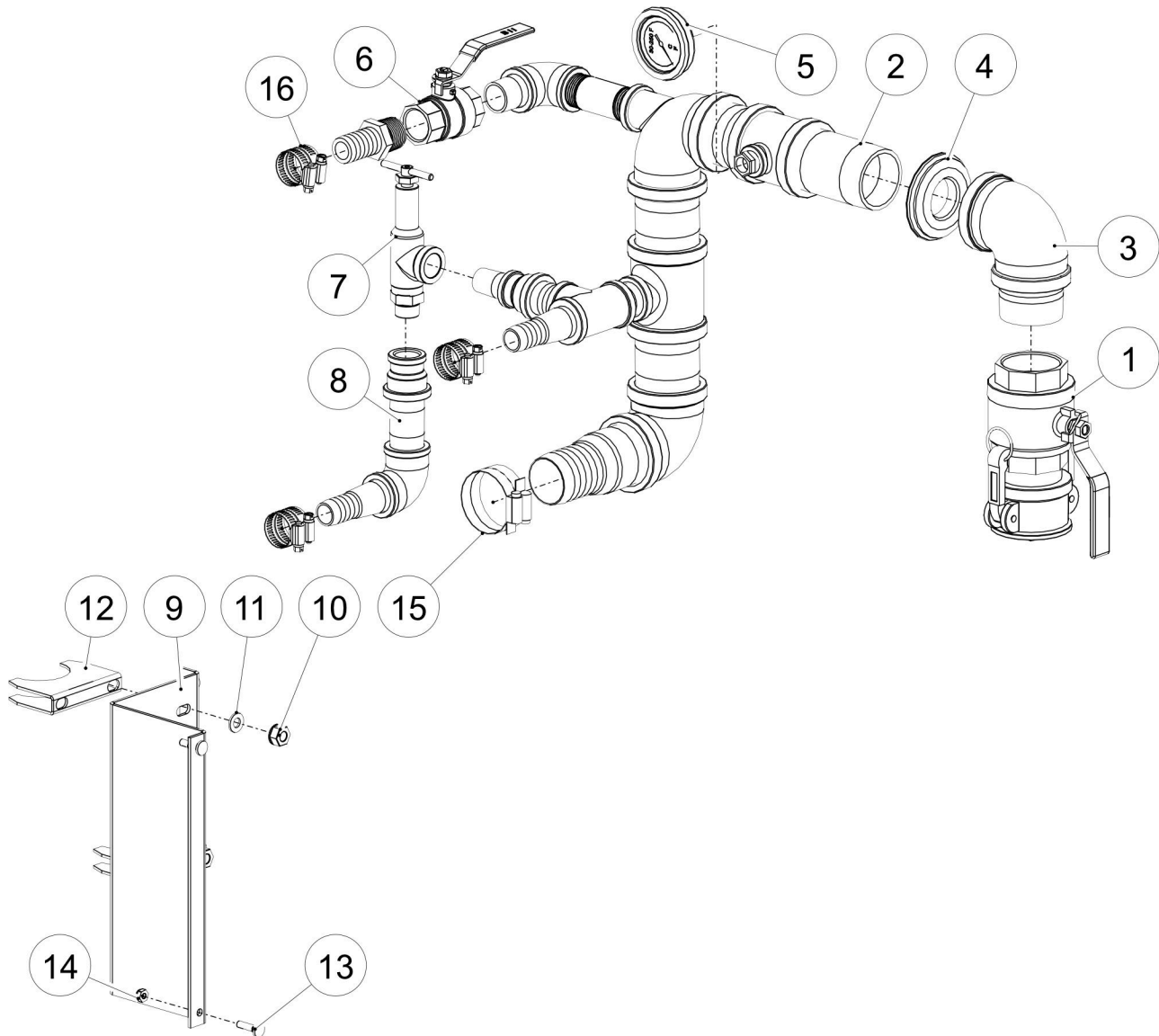




**Central Heating Unit  
2000-1200 Series II  
Return Plumbing**

S/N: 23114 -  
S/N: 23133  
PAGE: 2.1.24

Item No.	Part No.	Description	Qty.
1		KAMLOCKS - see page 2.1.25	
2	018-701619	PKG EXT PLMB RAYPAK CAB	1
3	009-700157	GROM 2.1X3.25 RBR PIPE 2	1
4	001-701423	BOLT CRG 1/4X1 PLTD	4
5	004-906484	BRKT RTRN PLMB NO VLV 2000-1200	1
	004-906630	BRKT RTRN PLMB NO VLV 2000-1200 PNTD BLUE	1
6	001-700129	WSHR FLT 1/4 PLD	4
7	001-700042	NUT LKG NYL 1/4 UNC PLD	4
8	001-700143	CLP MUF 2-1/4 3/8UNC PLD	3
9	004-906011	BAR FLAT 1/4X4 1-1/2L CW 2 HOLES	1
10	018-906485	RTN PLMB NO VLV 2100-1200	1
11	005-700122	GAUGE TEMP 1/2MNPT BIMETAL 0-250F	1
12	011-700366	VLV BALL 1 400WOG FL PT BRS CGA NPTF	1
13	011-901979	NIPL COMB 1X1 BLK PIPE HB PNTD BLK	1
14	001-700275	CLP HOSE HAS16 SLTD HEX HD SS	6
15A	001-700337	CLP HOSE HS32 2-1/2 SLTD HEX HD SS	6
15B	001-901471	CLP HOSE HEAVY-DUTY 59-63MM <small>Recommended</small>	3
16	018-906010	PKG PLMB RTN TO PRESS RELIEF 2000-1200	1
17	005-700121	VLV BYPASS PRESS RLF 3/4 BRS	1
18	018-906009	PKG PLMB PRESS RELIEF VALVE 2000-1200	1
19	011-906008	NIPL COMB 1NPT X 1HB 90DEG BRS	1
		<i>Call Dryair Parts Dept. for support</i>	

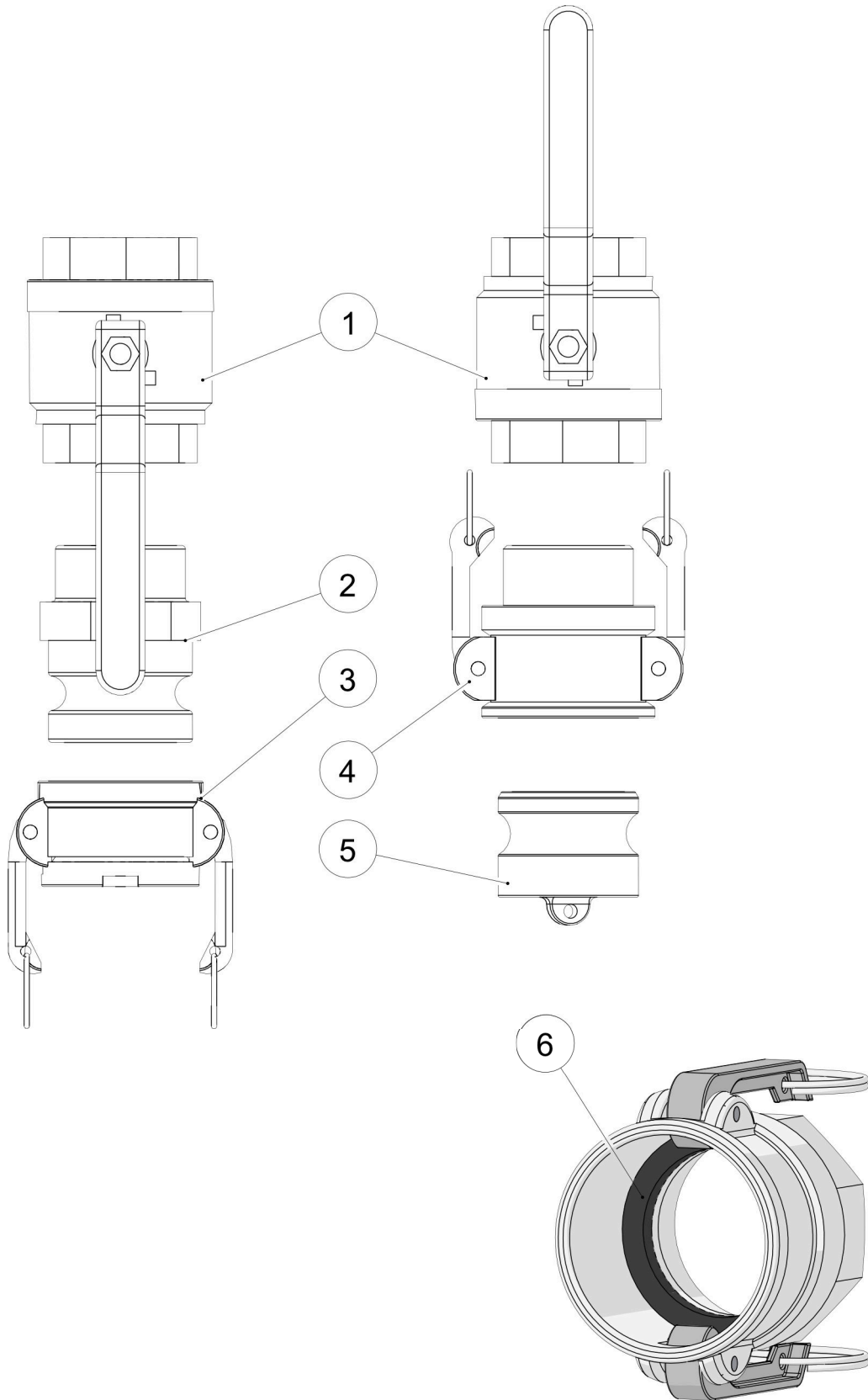




**Central Heating Unit  
2000-1200 Series II  
Return Plumbing**

S/N: 23134 -  
S/N: Current  
PAGE: 2.2.24

Item No.	Part No.	Description	Qty.
1		KAMLOCKS - see page 2.1.25	
2	018-701612	PKG PLMB RETURN CAB RAYPAK CAB	1
3	018-701619	PKG EXT PLMB RAYPAK CAB	1
4	009-700157	GROM 2.1X3.25 RBR PIPE 2	1
5	005-700122	GAUGE TEMP 1/2MNPT BIMETAL 0-250F	1
6	011-700366	VLV BALL 1 400WOG FL PT BRS CGA NPTF	1
7	005-700121	VLV BYPASS PRESS RLF 3/4 BRS	1
8	018-701611	PKG PLMB RELIEF VLV RAYPAK CAB	1
9	004-701404	BRKT MTG PLMB MOD2000 CAB RAYPAK	1
10	001-700721	NUT LKG NYL 3/8 UNC PLD	4
11	001-700719	WSHR FLT 3/8 PLD	4
12	004-700595	SADDLE EXT BODY 2-1/4 MUF CLP 2 PIPE SCH40	2
13	001-701423	BOLT CRG 1/4X1 PLTD	4
14	001-700042	NUT LKG NYL 1/4 UNC PLD	4
15	001-700337	CLP HOSE HS32 2-1/2 SLTD HEX HD SS	2
16	001-700275	CLP HOSE HAS16 SLTD HEX HD SS	6
		The following components are included but may not be shown	
	001-700596	U-BOLT 3/8X2-1/4X5-1/4 PLD EXT	2
		<i>Call Dryair Parts Dept. for support</i>	



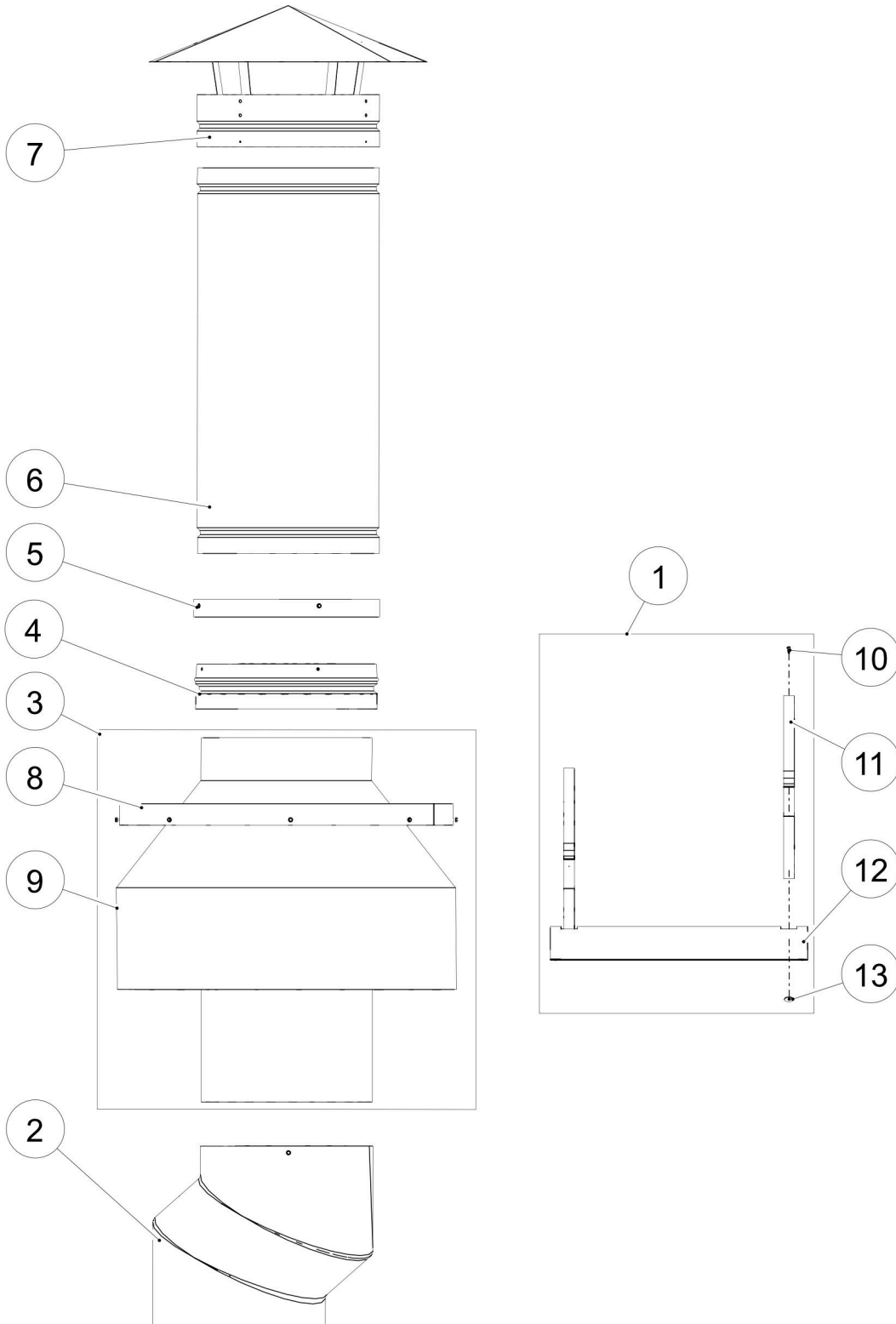




**Central Heating Unit  
2000-1200 Series II  
Kamlocks**

S/N: 23114 -  
S/N: Current  
PAGE: 2.1.26

Item No.	Part No.	Description	Qty.
	<b>018-701344</b>	<b>PKG VLV &amp; KMLCK 2 M/F</b> (Includes 1-6)	<b>1</b>
	<b>018-903563</b>	<b>PKG KMLCK BRS 2 M/F</b> (Includes 1-6)	<b>1</b>
1	011-701442	VLV BALL 2 FL PT CSA/UL	2
2A	011-700278	KMLCK 2 PART F ADPTR AL NPTM	1
2B	011-903555	KMLCK 2 PART F ADPTR NPTM BRS	1
3A	011-700390	KMLCK 2 PART DC DUST CAP AL	1
3B	011-903556	KMLCK 2 PART DC DUST CAP BRS	1
4A	011-700279	KMLCK 2 PART B CPLR AL NPTM	1
4B	011-903554	KMLCK 2 PART B CPLR BRS	1
5A	011-700391	KMLCK 2 PART DP DUST PLUG AL	1
5B	011-903557	KMLCK 2 PART DP DUST PLUG BRS	1
6A	006-702959	GSKT 2IN KMLCK CPLR STD	1
6B	006-702962	GSKT 2IN KMLCK CPLR THICK	1
6C	006-900823	GSKT 2IN KMLCK CPLR SILICONE RBR	1

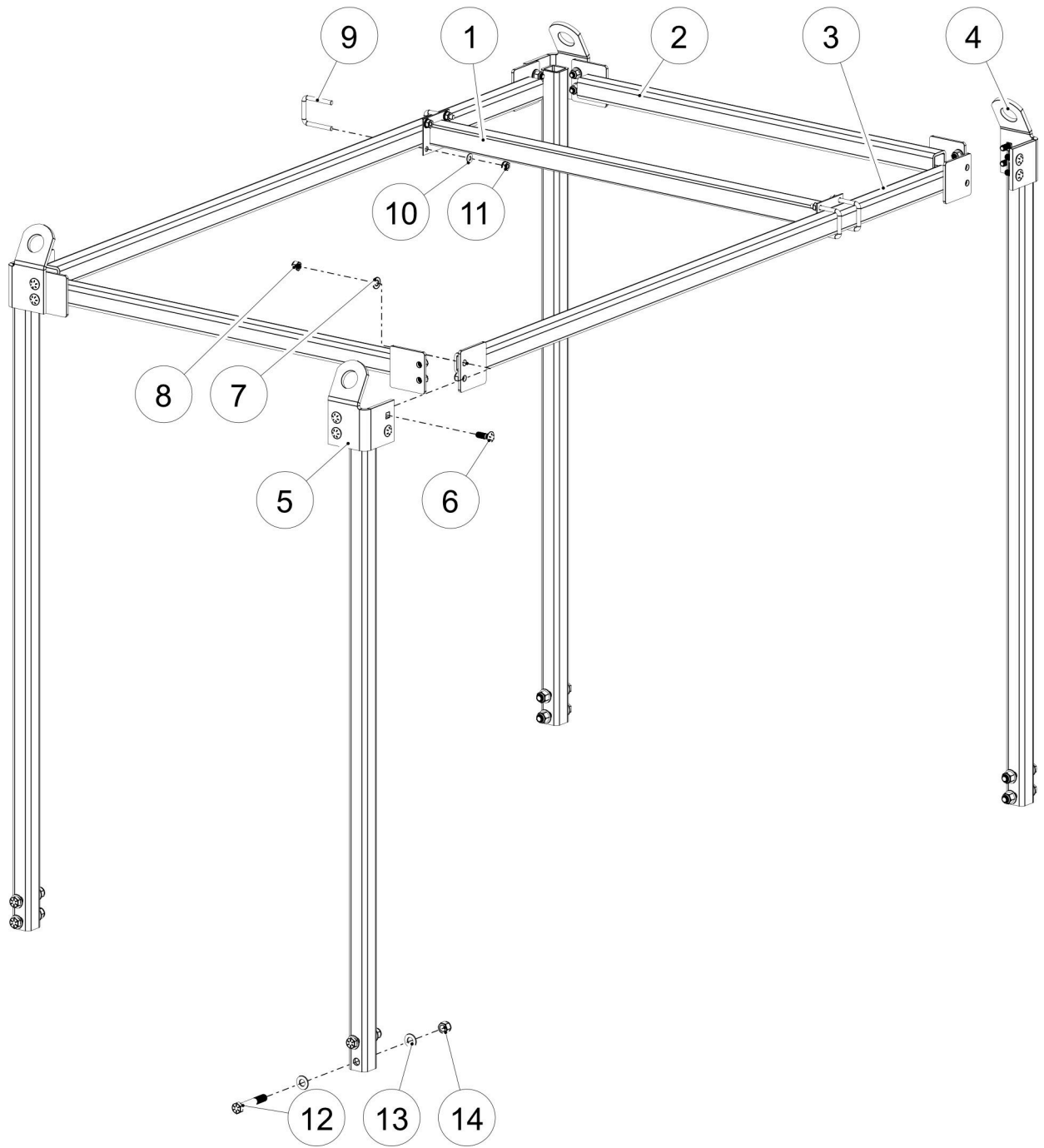




**Central Heating Unit  
2000-1200 Series II  
Chimney**

S/N: 23114 -  
S/N: Current  
PAGE: 2.1.28

Item No.	Part No.	Description	Qty.
1	018-702379	PKG CHMNY HOLDER 24X12 (Includes 10-13)	1
	018-903669	PKG CHMNY HOLDER 24X12 PNTD BLUE (Includes 10-13)	1
2	004-701412	ELB ADJ 16X90 24GA GALV	1
3	018-900730	PKG CHMNY DRAFTHOOD MOD 2000-1200 RAYPAK (Includes 8,9)	1
	018-903671	PKG CHMNY DRAFTHOOD MOD 2000-1200 PNTD BLUE (Includes 8,9)	1
4	004-700510	CHMNY DRAFT HOOD CONN 16	1
5	016-701178	CHMNY CAPS STORAGE	1
6	004-700998	CHMNY B-VENT SECT 16X36	1
7	004-700509	CHMNY RAIN CAP 16	1
8	004-701387	ROOF FLSHG FLUE COLLAR MOD2000 CAB RAYPAK	1
	004-903642	ROOF FLSHG FLUE COLLAR MOD2000 PNTD BLUE	1
9	006-701541	CHMNY DRAFTHOOD 1223	1
10	001-700803	RIVET 5/32 GRP .3125-.375 SS	2
11	001-702105	STRP NYL WEB 1X60IN CW CAM BKL	2
12	004-702104	CHMNY HLDR BRKT 24X12IN	1
	004-903663	CHMNY HLDR BRKT 24X12IN PNTD BLUE	1
13	001-701208	WSHR FNDR 7/8X5/32 PLD	2
		The following components may not be shown	
	018-701672	PKG DRAFT HOOD CONN	1

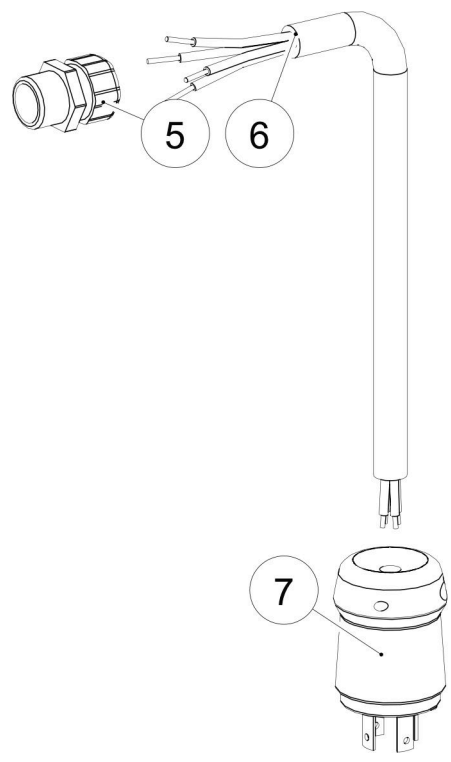
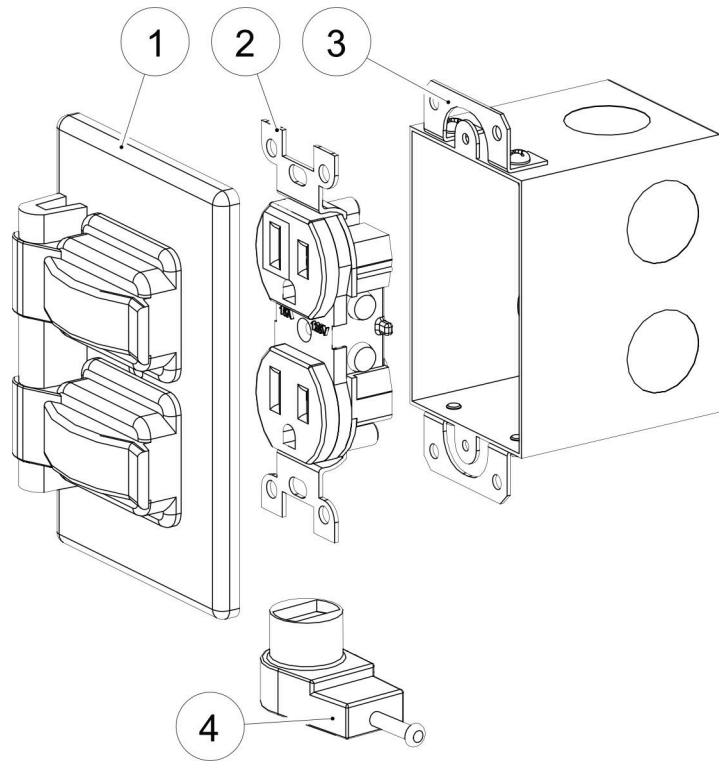




**Central Heating Unit  
2000-1200 Series II  
Lift Frame**

S/N: 23114 -  
S/N: Current  
PAGE: 2.1.30

Item No.	Part No.	Description	Qty.
	<b>018-905910</b>	<b>LIFTING FRAME 2100-1200</b> (Includes 1-14)	<b>1</b>
1	004-905909	LIFT FRAME SADDLE SUPPORT 2100-1200	1
2	004-905907	LIFT FRAME CROSSMEMBER SHORT 2100-1200	2
3	004-905908	LIFT FRAME CROSSMEMBER LONG 2100-1200	2
4	004-905906	LIFT FRAME LEG RIGHT 2100-1200	2
5	004-905905	LIFT FRAME LEG LEFT 2100-1200	2
6	001-905306	BOLT CRG 1/2X1-1/2 GR8 PLD	16
7	001-700110	WSHR FLT 1/2 SAE PLD	16
8	001-905307	NUT LKG NYL 1/2 UNC GR8 PLD	16
9	001-901590	U-BOLT SQ 3/8X2-1/16X3 UNC PLD	4
10	001-700719	WSHR FLT 3/8 PLD	8
11	001-700721	NUT LKG NYL 3/8 UNC PLD	8
12	001-905309	BOLT 5/8X4 PLD GR8 HXHD	8
13	001-700944	WSHR FLT 5/8 SAE PLD	16
14	001-905308	NUT LKG NYL 5/8 UNC GR8 PLD	8





**Central Heating Unit  
2000-1200 Series II  
Electrical**

S/N: 23114 -  
S/N: Current  
PAGE: 2.1.32

Item No.	Part No.	Description	Qty.
1	002-701415	CVR RCPT W/P	1
2	002-800037	RCPT DX 15A 120V	1
3	002-701414	BOX RCPT #425	1
4	002-800026	CONNECTOR 3/8 BX/MND/FLEX	1
5	002-700046	CONNECTOR STRN/RLF 3/4 .625-.750 CABLE RNG	1
6	002-700418	CABLE SOW10/4	11FT
7	002-701266	PLUG 1P4W 30A 125/250V M END TWLCK	1
		The following components may not be shown	
	002-905103	BOOT COVER LKG PLUG 20/30 AMP THERM PLSTC	



**Central Heating Unit  
2000-1200 Series II  
Hoses and Fuel Lines**

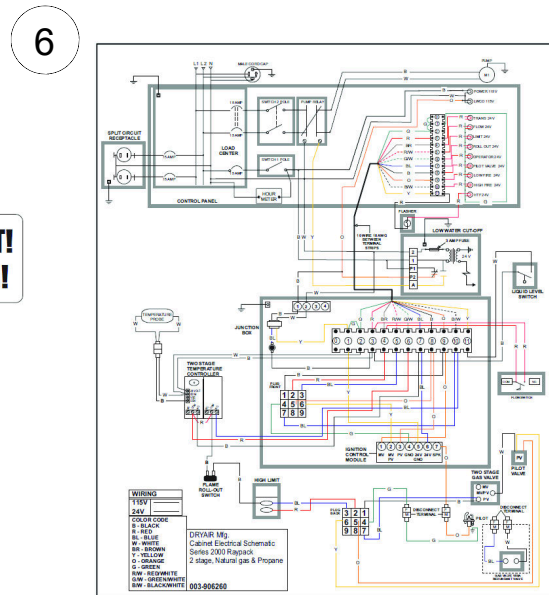
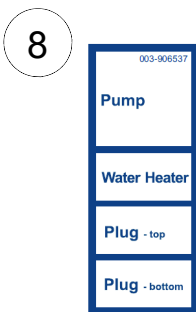
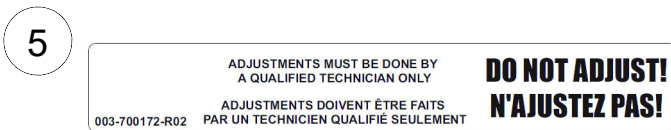
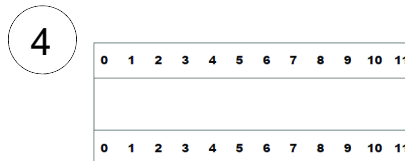
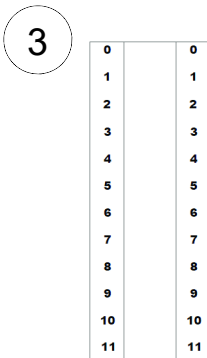
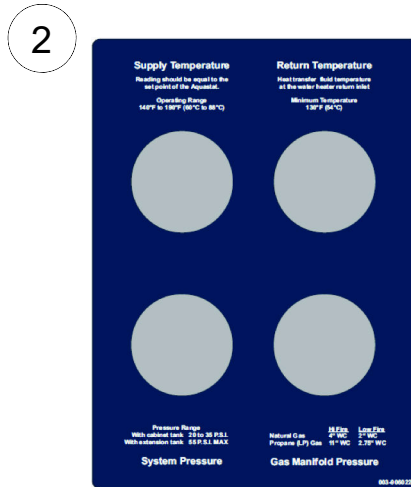
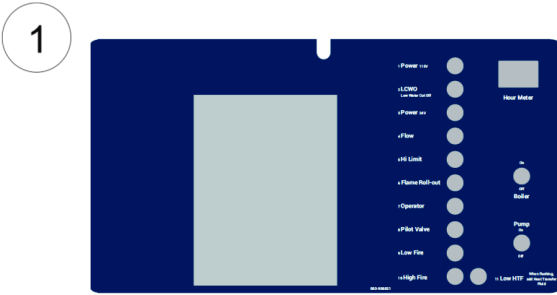
S/N: 23114 -  
S/N: Current  
PAGE: 3.1.1

Item No.	Part No.	Description	Qty.
		<b>PRESS RLF RETURN PLUMBING TO WATER HEATER</b>	
1	013-700267	HOSE 2 VERSIFLO CW WIRE HELIX	5FT
		<b>RETURN PLUMBING TO PRESS RLF RETURN PLUMBING</b>	
2	013-700267	HOSE 2 VERSIFLO CW WIRE HELIX	5FT
		<b>WATER HEATER TO PUMP</b>	
2	013-700267	HOSE 2 VERSIFLO CW WIRE HELIX	13IN
		<b>PUMP TO SUPPLY PLUMBING</b>	
3	013-700267	HOSE 2 VERSIFLO CW WIRE HELIX	9IN
		<b>GLYCOL TANK OVERFLOW</b>	
4	010-701861	HOSE 3/4 300PSI AIR 50FT L EPDM T&C	48IN
		<b>GLYCOL TANK TO RETURN PLUMBING</b>	
5	013-701100	HOSE 1 300PSI AIR 50FT LN EPDM T/C	105IN
		<b>GLYCOL TANK TO WATER HEATER</b>	
6	013-701100	HOSE 1 300PSI AIR 50FT LN EPDM T/C	105IN
		<b>DANFOSS TO RETURN PLUMBING</b>	
7	013-701100	HOSE 1 300PSI AIR 50FT LN EPDM T/C	10IN
		<b>SUPPLY PLUMBING TO PRESSURE RLF VLV</b>	
8	013-701100	HOSE 1 300PSI AIR 50FT LN EPDM T/C	14IN









Item No.	Part No.	Description	Qty.
1	003-906021	DECAL LED FACEPLATE 2000-1200	1
2	003-906022	DECAL GAUGE PLATE 2000-1200	1
3	003-702912	DECAL VINYL XTERM 0-11 VERT	1
4	003-702834	DECAL XTERM 0-11 HORIZ	1
5	003-700172	DECAL DO NOT ADJ	4
6	003-906260	DECAL ELEC SCHEM 2000-1200	1
7	003-700162	DECAL DNGR 220V	1
8	003-906537	DECAL BRKR DES 1200	1



---

Central Heating Unit 2000-1200 Series II  
S/N:23114 - Current

Part No. 023-906909  
Rev. 01 05-11-2023