



Heat

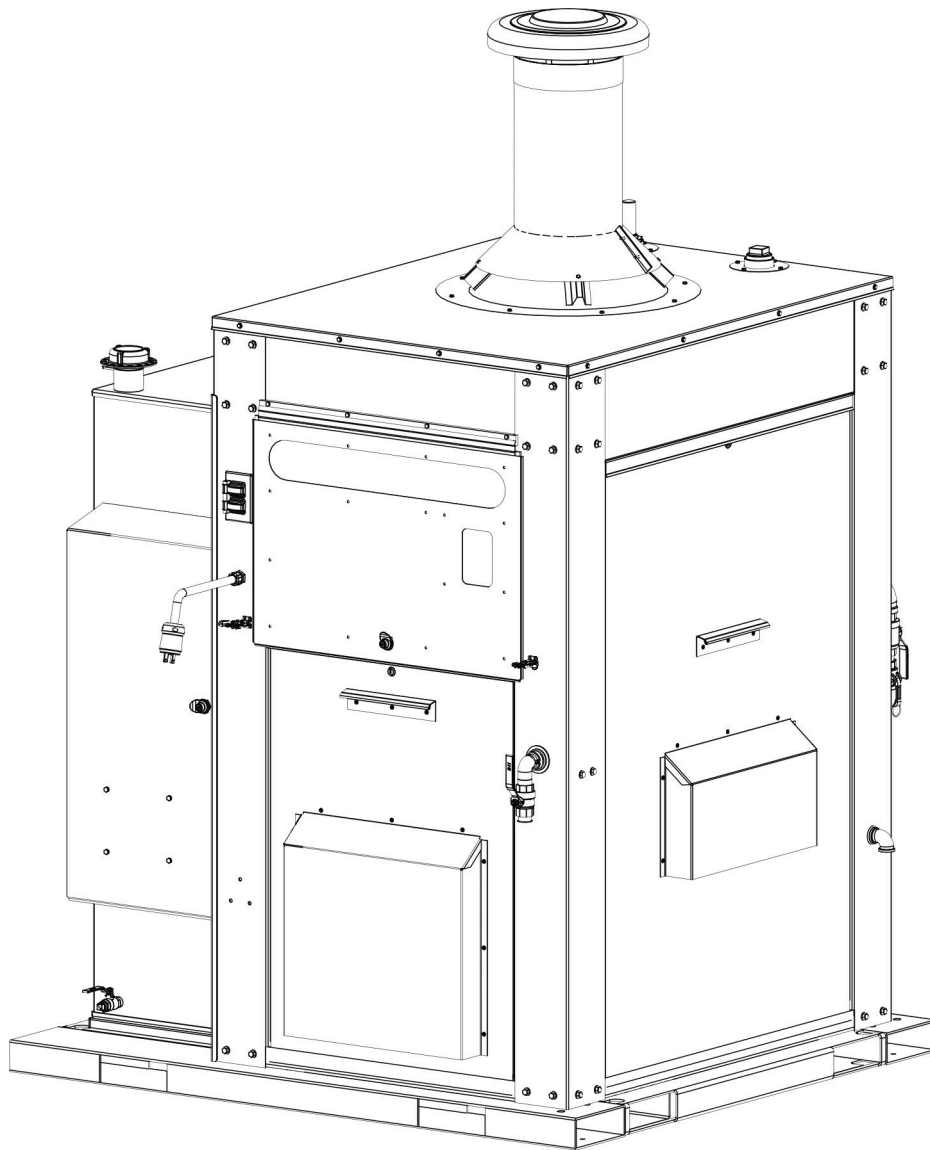
Dry

Thaw

Cure

PARTS CATALOGUE

Central Heating Unit
2100-DG-0900 Series



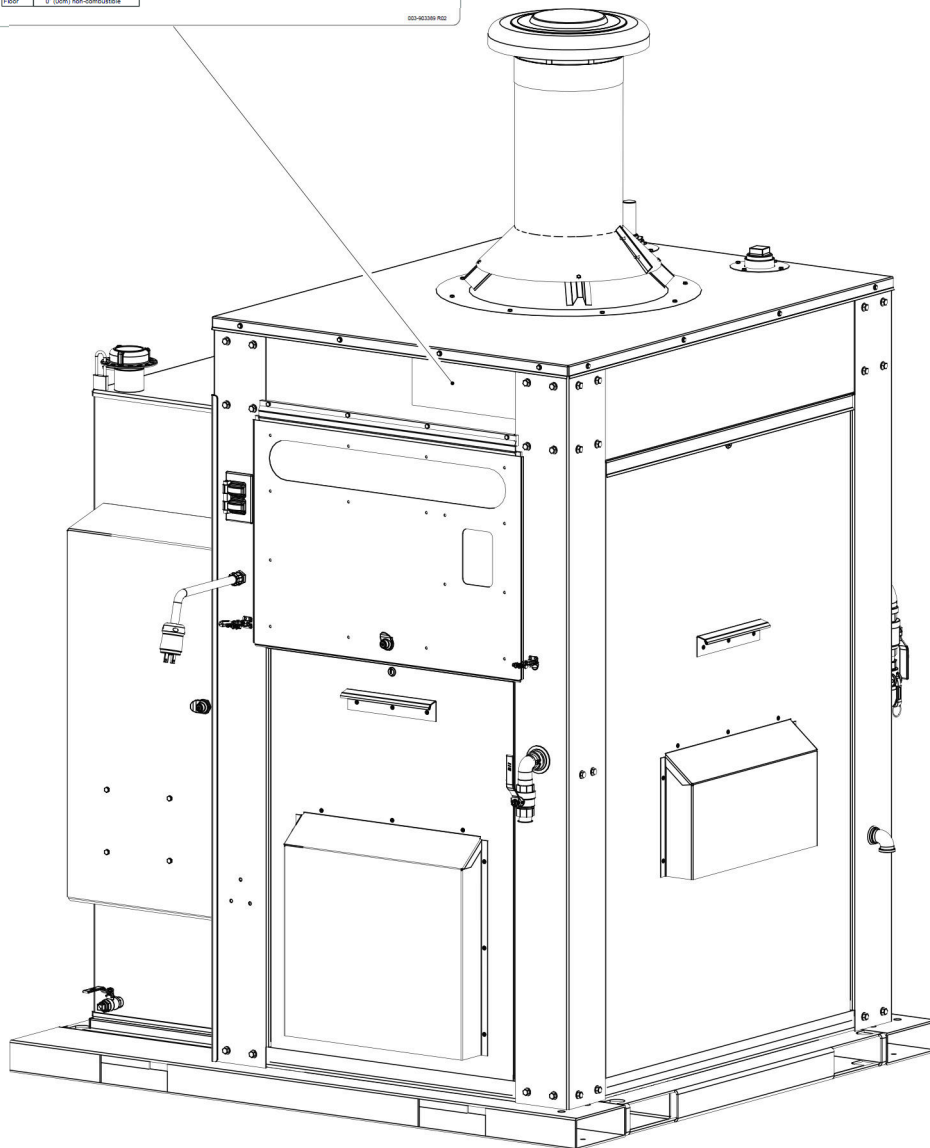
DRYAIR MANUFACTURING CORP.
PO BOX 126, 400 SERVICE ROAD
ST. BRIEUX, SK S0K 3V0
CANADA
www.dryair.ca

Tel: 1 (306) 275-4848
Toll-Free: 1 (888) 750-1700
Fax: 1 (306) 275-4664
Email: parts@dryair.ca



Central Heating Unit 2100-DG-0900 Series Serial Number Location

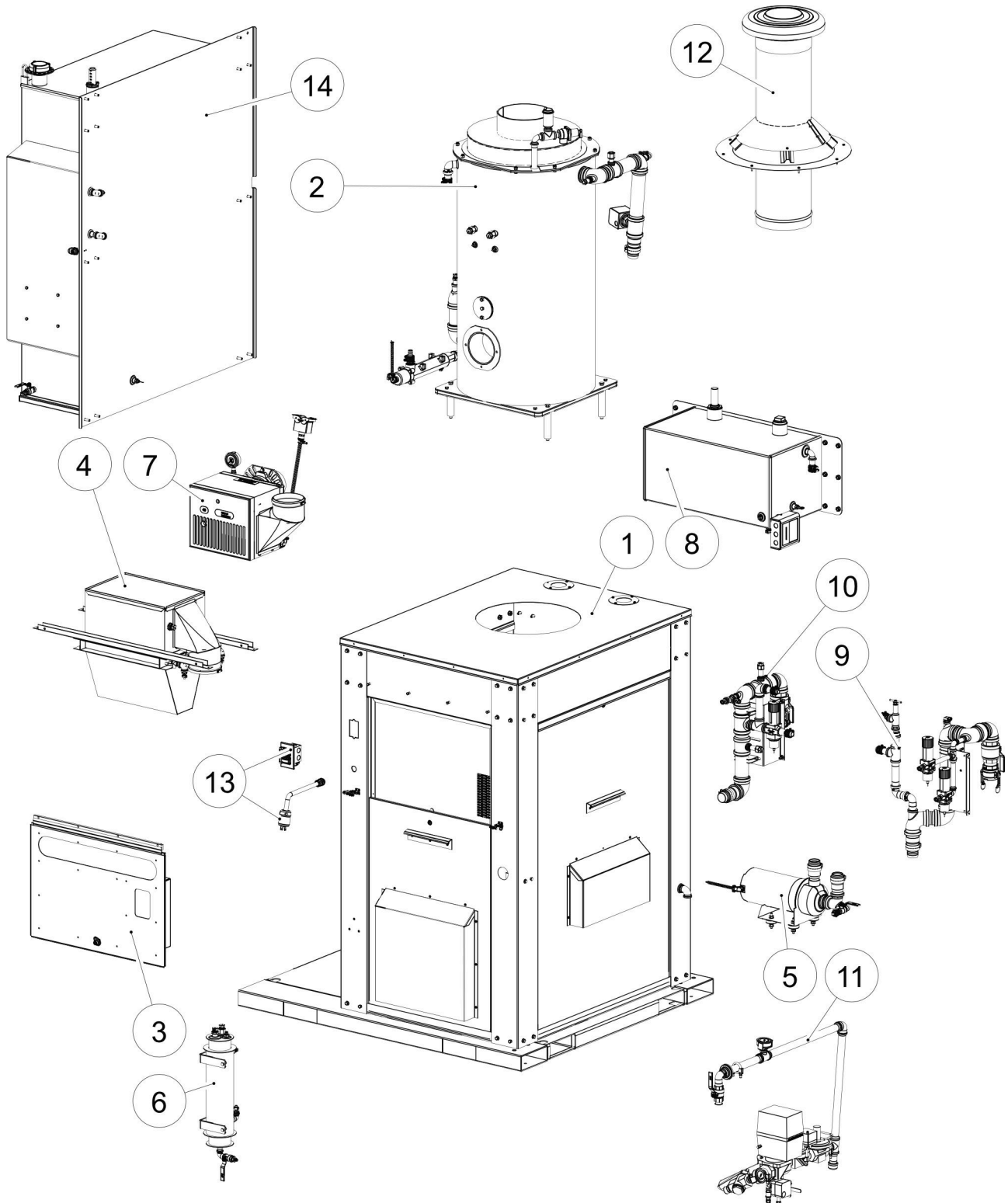
DRYAIR		P.O. Box 126 490 Service Road St. Bruno, St. Catharines S6K 3V0		MADE IN CANADA	
DRYAIR Model:	Reference:	Prod. Sched.:			
Serial No.:					
Main Power		Oil Burner		Natural Gas Burner	
Volts:	240 V/208 V/0.0	Model:	Riello 40-F20	Model:	Riello 40-G500
Phase:	50/60	Fuel:	#2 Heating Oil #1 Heating Oil	Fuel:	Natural Gas Propane Gas
Hz:	60/50	Capacity Value:	140,000 BTU / 125 Gal 130,000 BTU / 125 Gal	Capacity Value:	1000 BTU/Hr 2000 BTU/Hr
Max. Amperage:	30 A	Output:	BTU/H	Max. Gas Pressure:	14" W.C. 11" W.C.
Control Voltage:	120/24/0	Fuel Input:	US GPH	Min. Gas Pressure:	12" W.C. 11" W.C.
Min. Circuit Ampacity:	A	Pump Pressure:	P.S.I.	Manifold Gas Pressure:	W.C.
Max. Overcurrent:	A	Clearances:		Manifold Gas Pressure:	W.C.
Breaker:	A	Sides:	24" (5 feet minimum)	Input Capacity:	BTU/H
		Flue Pipe:	38" (5 feet minimum)	Output Capacity:	BTU/H
		Flue:	0" (0.001 inch combustion)		
Complies to: ANSI Z39.1-13		023-905849			





Central Heating Unit 2100-DG-0900 Series Table of Contents

Cabinet	1.1.1
Front Door	1.1.3
Side Door	1.1.5
Rear Door	1.1.7
Heat Exchanger	2.1.1
Glycol Preheater	2.1.5
Control Panel	2.1.7
Control Panel Interior	2.1.9
Air Preheater	2.1.11
Pump	2.1.13
Fuel Preheater	2.1.17
Burner - Diesel	2.1.19
Burner - LP/NG	2.1.21
Glycol Tank	2.1.23
Supply Plumbing	2.1.25
Return Plumbing	2.1.27
Gas Train	2.1.29
Propane Regulator	2.1.33
Chimney	2.1.35
Electrical	2.1.37
Fuel Tank	3.1.1
Fuel Plumbing	3.1.5
Hoses and Fuel Lines	4.1.1
Decals	5.1.1

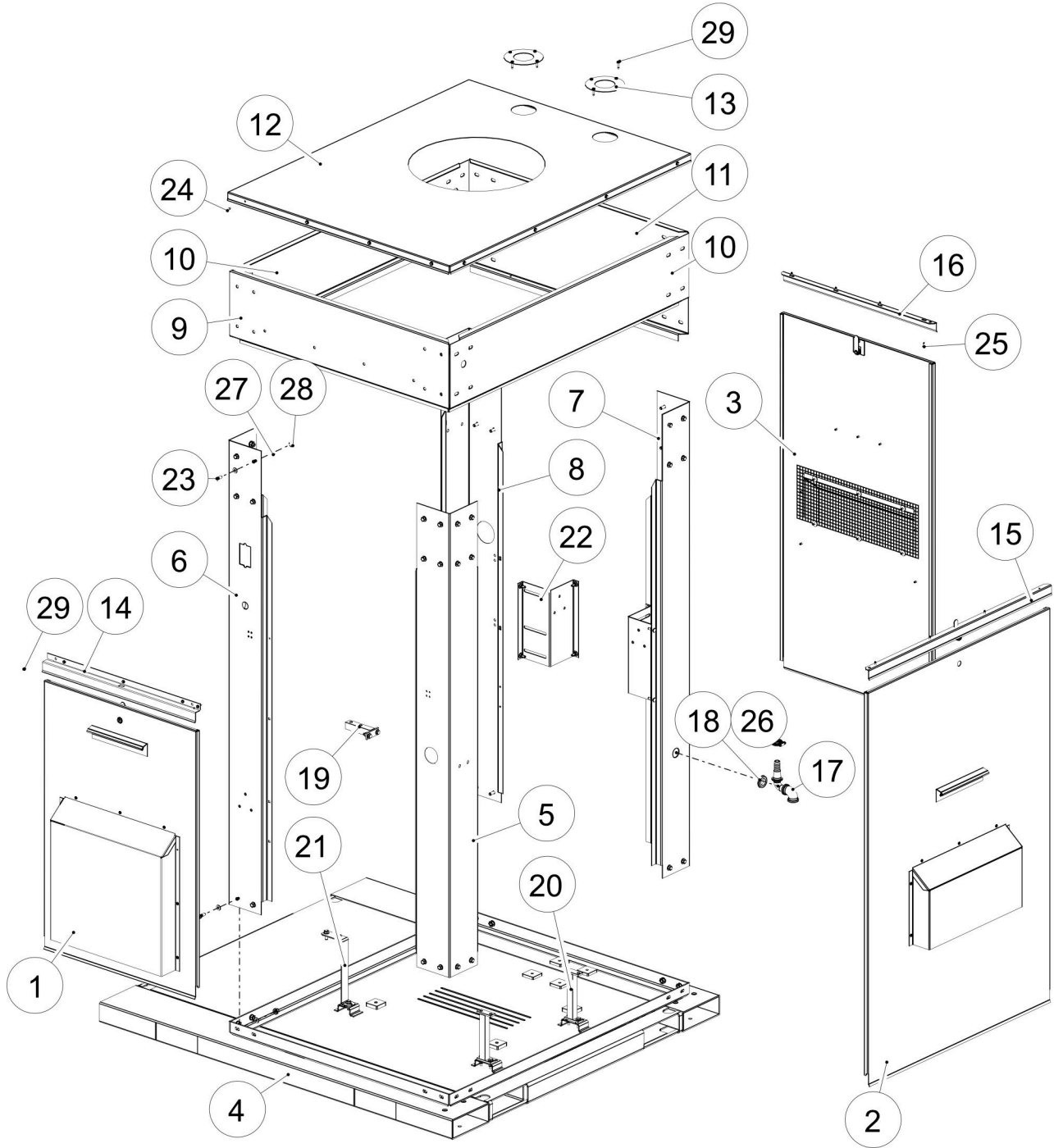




**Central Heating Unit
2100-DG-0900 Series
Master Assembly**

S/N: 20526 -
S/N: Current

Item No.	Part No.	Description	Qty.
1		CABINET - see page 1.1.1	
2		HEAT EXCHANGER - see page 2.1.1	
3		CONTROL PANEL - see page 2.1.7	
4		AIR PREHEATER - see page 2.1.11	
5		PUMP - see page 2.1.13	
6		FUEL PREHEATER - see page 2.1.17	
7		BURNER - DIESEL - see page 2.1.19	
		BURNER - LP/NG - see page 2.1.21	
8		GLYCOL TANK - see page 2.1.23	
9		SUPPLY PLUMBING - see page 2.1.25	
10		RETURN PLUMBING - see page 2.1.27	
11		GAS TRAIN - see page 2.1.29	
12		CHIMNEY - see page 2.1.35	
13		ELECTRICAL - see page 2.1.37	
14		FUEL TANK - see page 3.1.1	

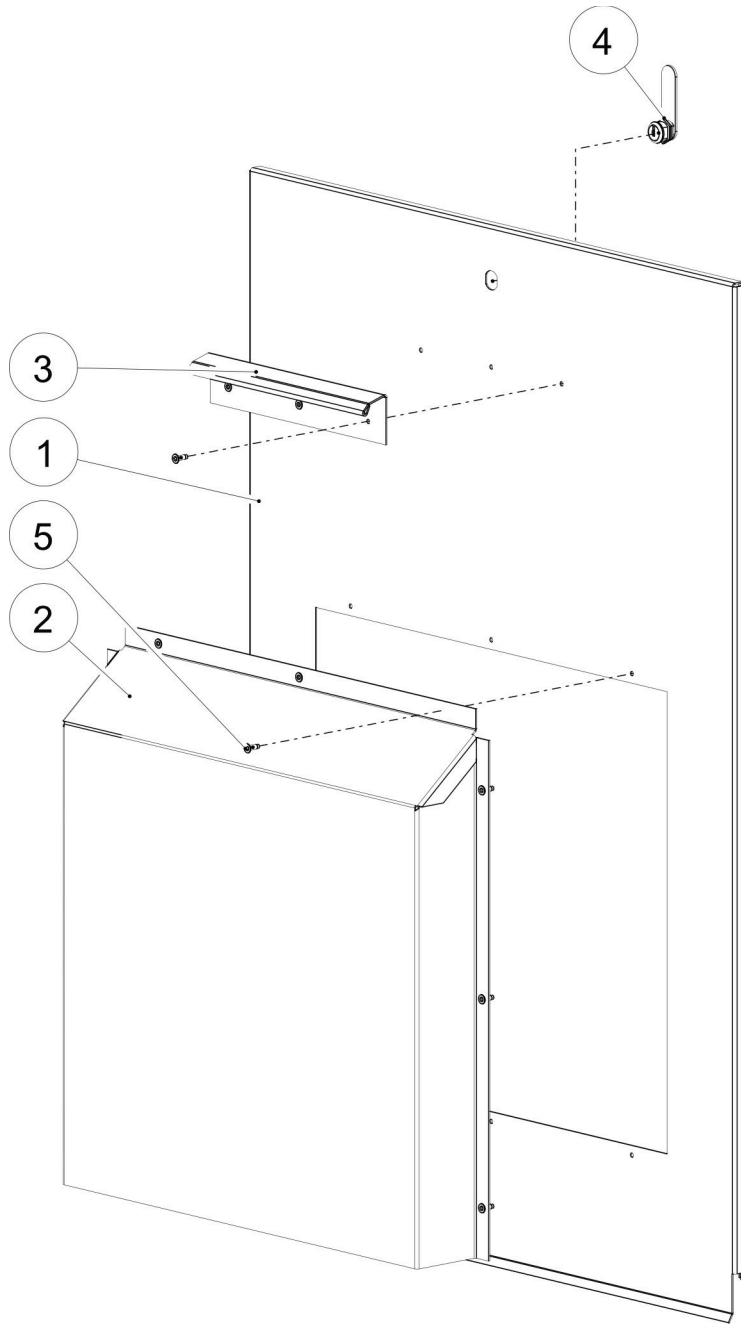




**Central Heating Unit
2100-DG-0900 Series
Cabinet**

S/N: 20526 -
S/N: Current
PAGE: 1.1.2

Item No.	Part No.	Description	Qty.
1		FRONT DOOR - see page 1.1.3	
2		SIDE DOOR - see page 1.1.5	
3		REAR DOOR - see page 1.1.7	
4	010-702455	BASE MOD 2100-0900	1
	004-901319	BASE MOD 2100-0900 LESS FUEL TANK	1
5	004-901669	CORNER POST RIGHT FRONT 2100-0900 TRI FUEL	1
	004-903593	CORNER POST RIGHT FRT TRI FUEL PNTD BLUE 2100-0900	1
6	004-702463	CORNER POST LEFT FRT MOD 2100-0900 CAB R01	1
	004-903594	CORNER POST LEFT FRT 2100-0900 PNTD BLUE	1
7	004-702464	CORNER POST RIGHT REAR MOD 2100-0900 CAB R01	1
	004-903595	CORNER POST RIGHT REAR 2100-0900 PNTD BLUE	1
8	004-901707	CORNER POST LEFT REAR MOD 2100-0900 TRI-FUEL	1
	004-903596	CORNER POST LEFT REAR 2100-0900 PNTD BLUE	1
9	004-702467	PNL FRT TOP RAIL MOD 2100 CAB R01	1
	004-903597	PNL FRT TOP RAIL 2100 CAB PNTD BLUE	1
10	004-702469	PNL SIDE TOP RAIL MOD 2100-0900 CAB R01	2
	004-903599	PNL SIDE TOP RAIL 2100 CAB PNTD BLUE	2
11	004-702468	PNL REAR TOP RAIL MOD 2100 CAB R01	1
	004-903598	PNL REAR TOP RAIL 2100 CAB PNTD BLUE	1
12	004-702477	PNL ROOF MOD 2100-0900 CAB	1
	004-903604	PNL ROOF 2100-0900 CAB PNTD BLUE	1
13	004-702478	DISC ROOF FLSHG MOD 2100 CAB R01	2
	004-903605	DISC ROOF FLSHG 2100 CAB PNTD BLUE	2
14	004-702470	RTNR FRT DOOR MOD 2100 CAB R03	1
	004-903600	RTNR FRT DOOR 2100 CAB PNTD BLUE	1
15	004-702472	RTNR SIDE DOOR MOD 2100-0900 CAB R01	1 or 2
	004-903602	RTNR SIDE DOOR 2100 CAB PNTD BLUE	1 or 2
16	004-702471	RTNR REAR DOOR MOD 2100 CAB R01	1
	004-903601	RTNR REAR DOOR 2100 CAB PNTD BLUE	1
17	018-702637	PKG PLMB GLY TANK OVFL MOD 2100	1
18	009-700192	GROM 1X1-3/8 RBR MOD 80 COIL	1
19	004-703843	BRKT GAS TRAIN 2100-DG	1
20	004-703842	STAND GAS TRAIN 7-5/16L 2100-DG	2
21	004-902835	BRKT MNT CIRC HTR 9-5/8L C/W SLOT	1
22	004-702479	BRKT PLMB MOUNT MOD 2100-0900 CAB R01	2
	004-903603	BRKT PLMB MNT 2100 CAB PNTD BLUE	2
23	001-700804	BOLT 3/8X1 PLD GR5	44
24	001-700093	SCRW D/T 1/4-14X3/4 3/8HEX HD PLD	16
25	001-700803	RIVET 5/32 GRP .3125-.375 SS	12
26	001-701890	CLP HOSE 1-1/4 SIZE 12	2
27	001-700742	WSHR FLT 5/16 PLD	92
28	001-700721	NUT LKG NYL 3/8 UNC PLD	48
29	001-700629	SCRW D/T 10-16X3/4 5/16HEX HD PLD	12

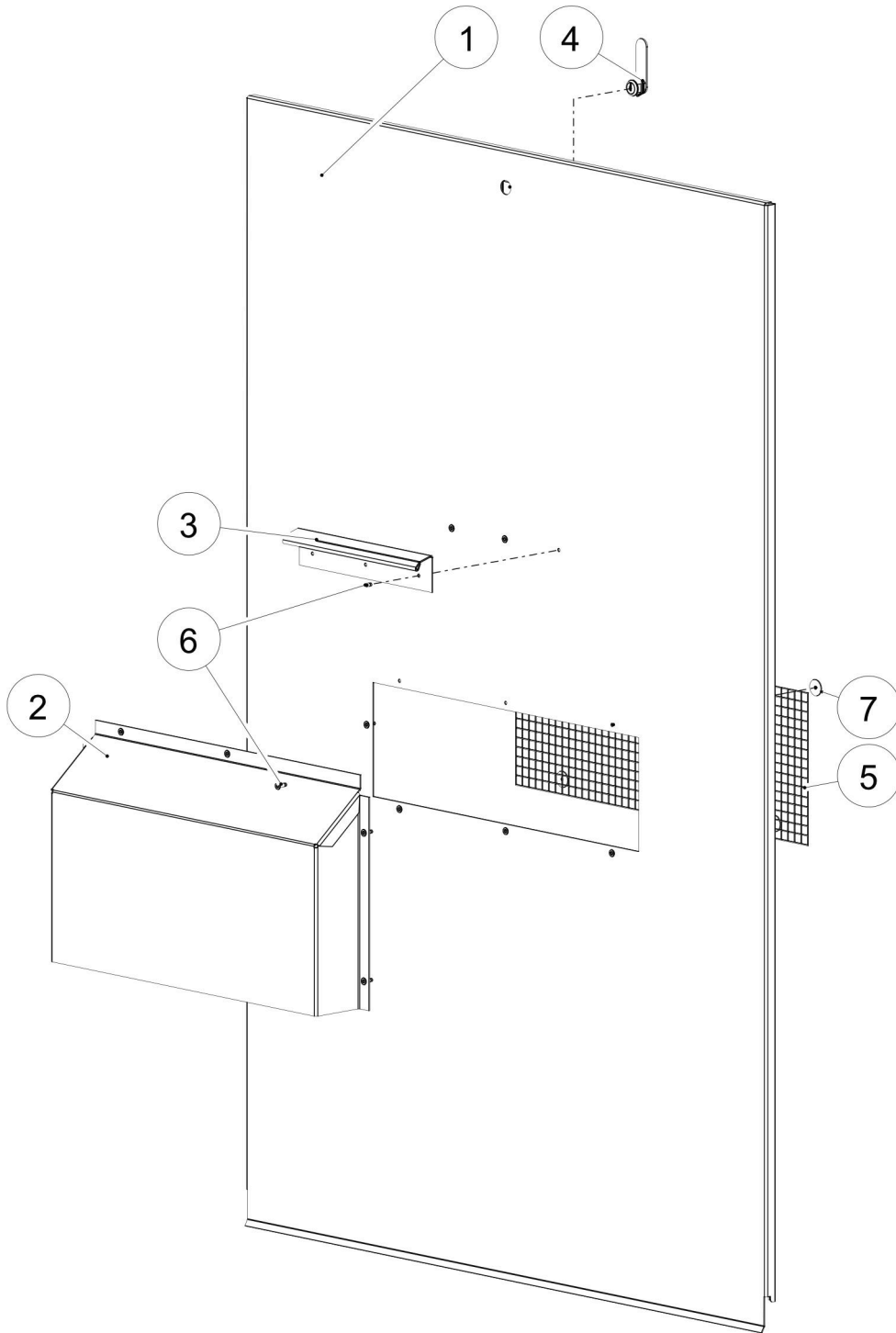




**Central Heating Unit
2100-DG-0900 Series
Front Door**

S/N: 20526 -
S/N: Current
PAGE: 1.1.4

Item No.	Part No.	Description	Qty.
	018-703854	PKG DOOR FRT MOD 2100-DG-0900 CAB (Includes 1-5)	1
	018-903616	PKG DOOR FRT 2100-0900-DG CAB PNTD BLUE (Includes 1-5)	1
1	004-703852	PNL FRT DOOR MOD 2100-DG-0900 CAB	1
	004-903607	PNL FRT DOOR 2100-0900-DG CAB PNTD BLUE	1
2	004-703853	VENT/INTK HOOD MOD 2100-DG-0900 CAB	1
	004-903610	VENT/INTK HOOD MOD 2100-0900-DG CAB PNTD BLUE	1
3	004-701399	HNDL MOD2000 CAB RAYPAK R01	1
	004-903612	HNDL MOD2000 CAB PNTD BLUE	1
4	001-702091	LOCK CAM 545 5/8X2-1/2 WR	1
5	001-700803	RIVET 5/32 GRP .3125-.375 SS	12
		The following components may not be shown	
	001-702305	KEY FOR 545 CAM LOCK 5/8 X 2-1/2	1

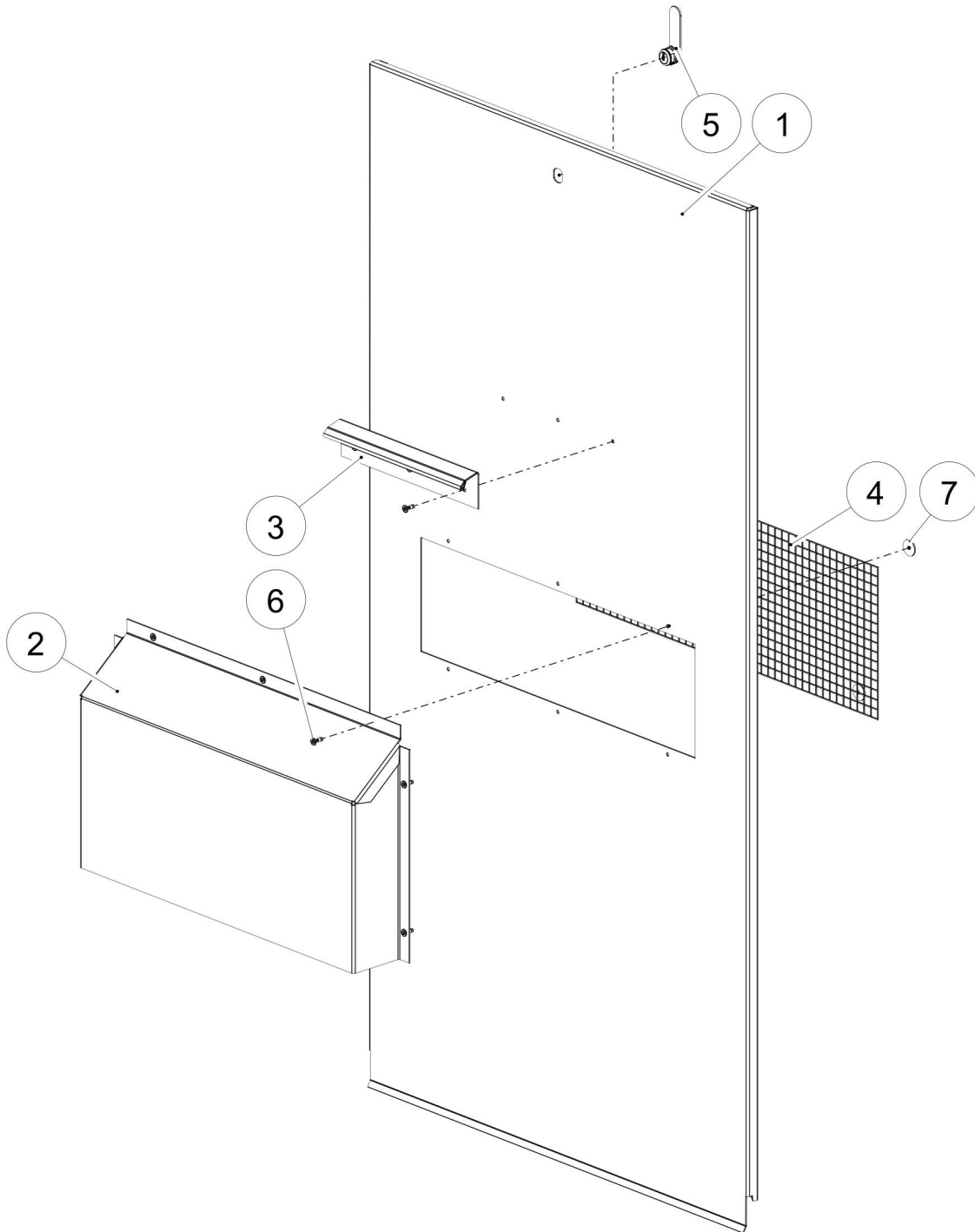




**Central Heating Unit
2100-DG-0900 Series
Side Door**

S/N: 20526 -
S/N: Current
PAGE: 1.1.6

Item No.	Part No.	Description	Qty.
	018-702535	PKG DOOR SIDE MOD 2100-0900 CAB (Includes 1-7)	1 or 2
	018-903618	PKG DOOR SIDE MOD 2100-0900 CAB PNTD BLUE (Includes 1-7)	1 or 2
1	004-702475	PNL SIDE DOOR MOD 2100-0900 CAB R01	1
	004-903609	PNL SIDE DOOR 2100-0900 CAB PNTD BLUE	1
2	004-703853	VENT/INTK HOOD MOD 2100-DG-0900 CAB	1
	004-903610	VENT/INTK HOOD MOD 2100-0900-DG CAB PNTD BLUE	1
3	004-701399	HNDL MOD2000 CAB RAYPAK R01	1
	004-903612	HNDL MOD2000 CAB PNTD BLUE	1
4	001-702091	LOCK CAM 545 5/8X2-1/2 WR	1
5	010-702487	SCREEN 1/2X1/2X8WX22L	1
6	001-700803	RIVET 5/32 GRP .3125-.375 SS	12
7	001-701208	WSHR FNDR 7/8X5/32 PLD	6
		The following components may not be shown	
	001-702305	KEY FOR 545 CAM LOCK 5/8 X 2-1/2	1

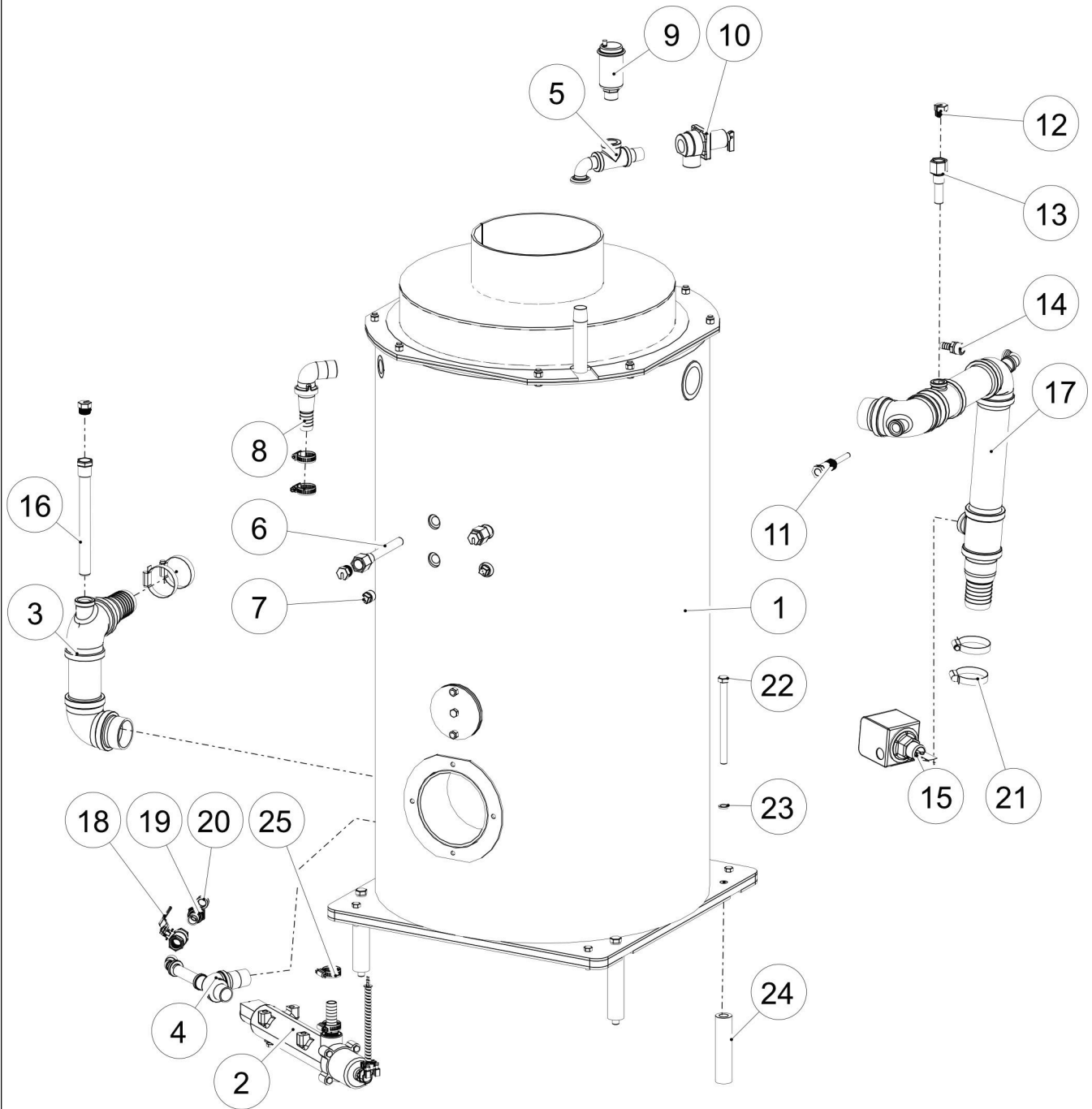




**Central Heating Unit
2100-DG-0900 Series
Rear Door**

S/N: 20526 -
S/N: Current
PAGE: 1.1.8

Item No.	Part No.	Description	Qty.
	018-702534	PKG DOOR REAR MOD 2100-0900 CAB (Includes 1-7)	1
	018-903617	PKG DOOR REAR MOD 2100-0900 CAB PNTD BLUE (Includes 1-7)	1
1	004-702474	PNL REAR DOOR MOD 2100-0900 CAB R01	1
	004-903608	PNL REAR DOOR 2100-0900 CAB PNTD BLUE	1
2	004-702476	VENT/INTK HOOD MOD 2100 CAB R01	1
	004-903611	VENT/INTK HOOD MOD 2100 CAB PNTD BLUE	1
3	004-701399	HNDL MOD2000 CAB RAYPAK R01	1
	004-903612	HNDL MOD2000 CAB PNTD BLUE	1
4	010-702487	SCREEN 1/2X1/2X8WX22L	1
5	001-702091	LOCK CAM 545 5/8X2-1/2 WR	1
6	001-700803	RIVET 5/32 GRP .3125-.375 SS	6
7	001-701208	WSHR FNDR 7/8X5/32 PLD	13
		The following components may not be shown	
	001-702305	KEY FOR 545 CAM LOCK 5/8 X 2-1/2	1

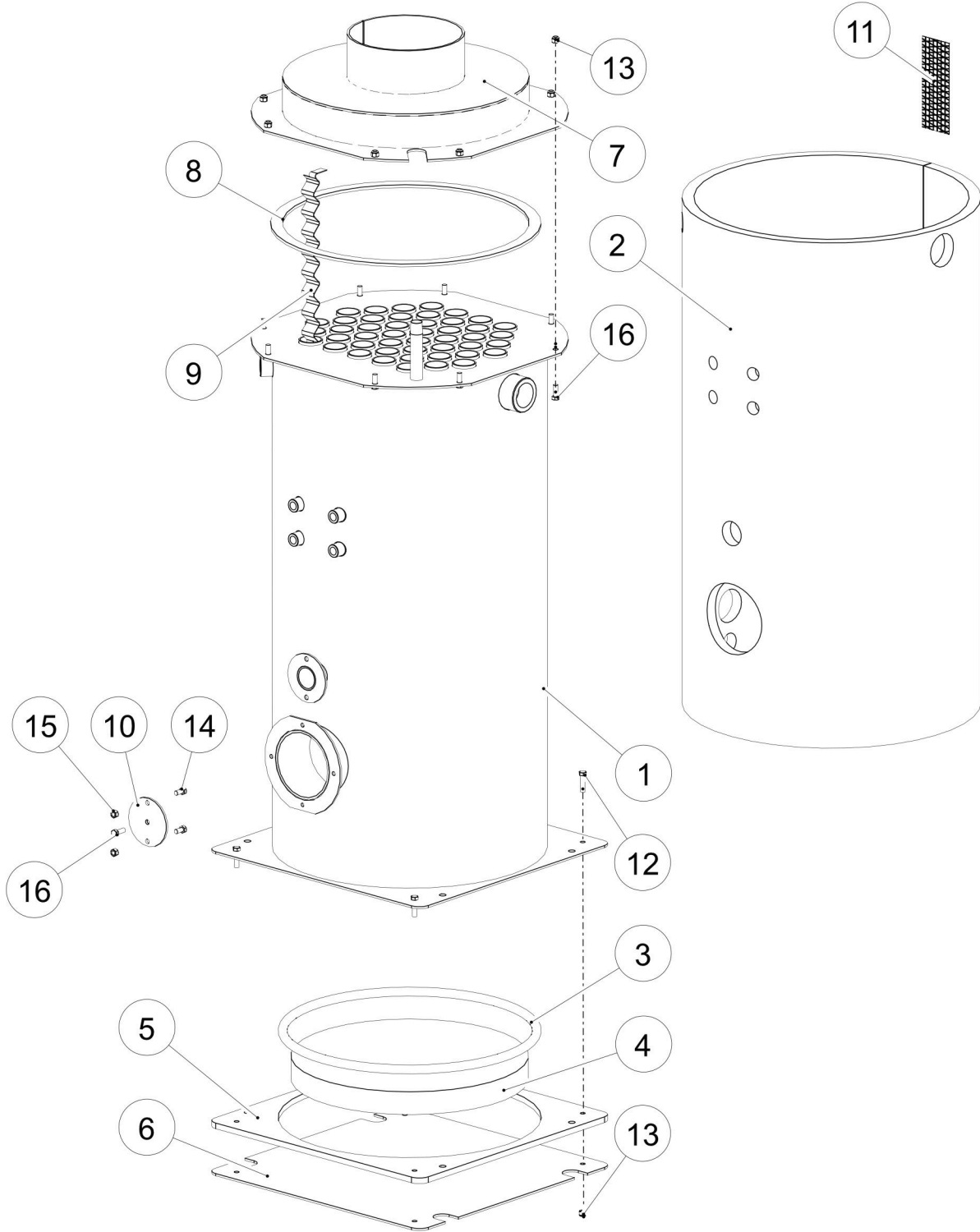




**Central Heating Unit
2100-DG-0900 Series
Heat Exchanger**

S/N: 20526 -
S/N: Current
PAGE: 2.1.2

Item No.	Part No.	Description	Qty.
	018-702723	PKG HEAT EXCH MOD 2100-0900 (Includes 1-14, 16-20)	1
1		HEAT EXCHANGER - see page 2.1.3	
2		GLYCOL PREHEATER - see page 2.1.5	
3	018-702719	PKG PLMB RETURN INTO HEAT EXCH MOD 2100-0900	1
4	018-702543	PKG PLMB CRCLT HTR INLET MOD 2100 R01	1
5	018-702803	PKG PLMB PRESS RLF/AIR PURGE MOD 2100	1
6	005-702593	WELL THERM BRS 6-1/4IN .385 BORE 1/2IN NPT	2
7	011-702702	PLUG BRS 1/2 NPT SQ HD	2
8	018-702542	PKG PLMB CRCLT HTR OUTLET MOD 2100	1
9	011-702995	AIR VENT AUTO 3/4NPT 150PSI 240DEG F	1
10	006-700879	VLV SAFETY PRESS RLF 60PSI 3/4X3/4	1
11	005-704272	WELL THERM BULB ASSY 1/2IN NPT	1
12	005-702757	NUT SPLIT WELLCAP 3/4FINE THREAD	4
13	005-702592	WELL THERM BRS 4-3/8IN .385 BORE 1/2IN NPT	1
14	011-702565	NIPL COMB 1/2NPTX1/2HB BRS	1
15	006-700778	CNTRL FLOW MULT PADDLE	1
16	005-700204	WELL F/AVTA/B 3/4 BRS BULB	1
17	018-702714	PKG PLMB SPLY FROM HEAT EXCH MOD 2100-0900	1
18	011-700115	VLV BALL 1/2 400WOG STD BRS CGA NPTF	1
19	011-700404	CPLR FEM GARD THD 1/2XSWVL NPTM	1
20	011-704470	PLUG GARDEN HOSE MALE BRS	1
21	001-700337	CLP HOSE HS32 2-1/2 SLTD HEX HD SS	4
22	001-900903	BOLT 1/2X6-1/2 GR8 UNC PLD	4
23	001-700938	WSHR LOCK 1/2 PLD	4
24	004-704340	LEG HEAT EXCHANGER BK	4
25	001-700275	CLP HOSE HAS16 SLTD HEX HD SS	3

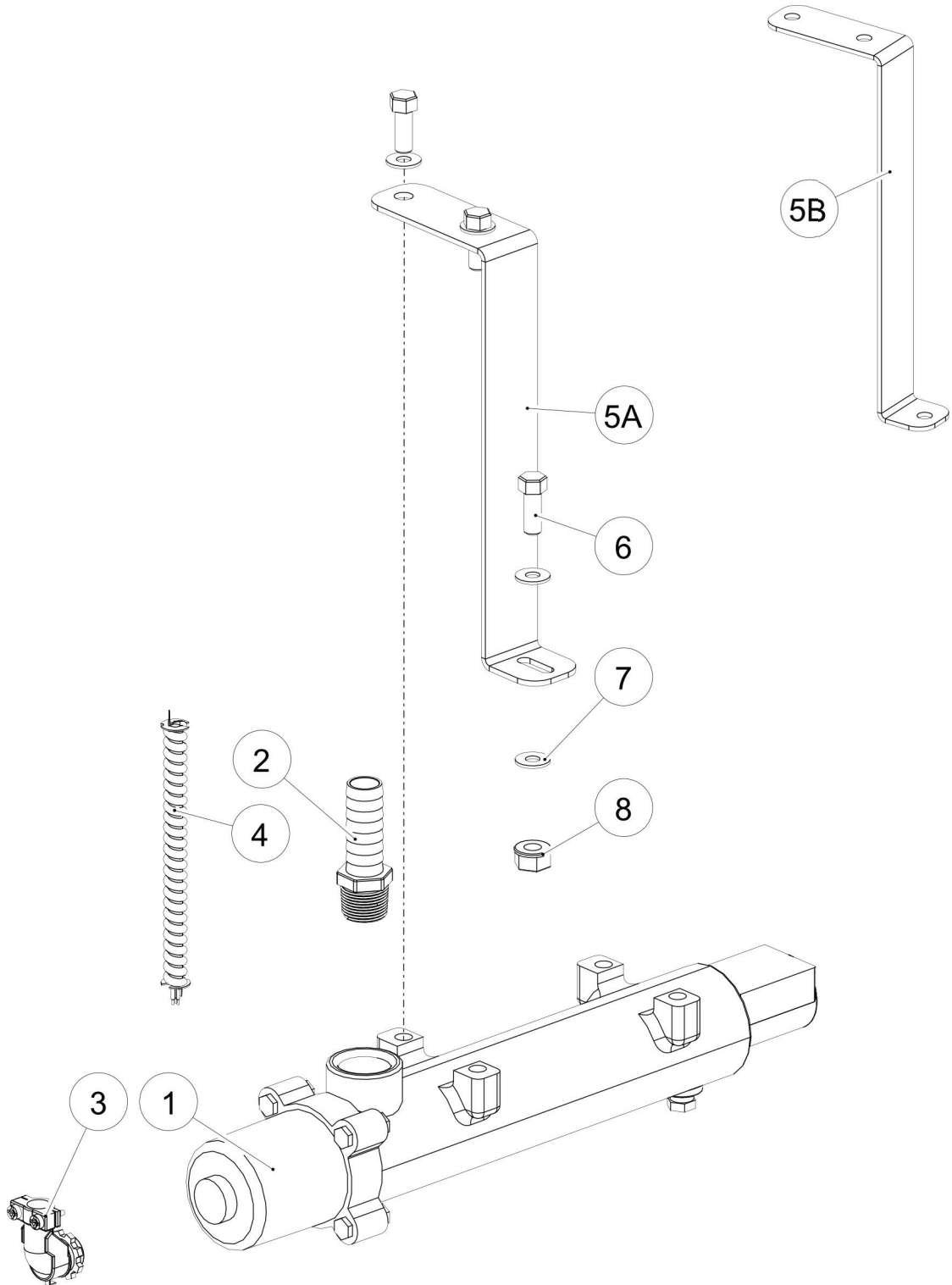




**Central Heating Unit
2100-DG-0900 Series
Heat Exchanger**

S/N: 20526 -
S/N: Current
PAGE: 2.1.4

Item No.	Part No.	Description	Qty.
	004-702440	HEAT EXCHANGER FUEL-TO-GLY MOD 2100-0900 (Includes 1, 3-16)	1
1	004-704334	HEAT EXCHANGER 900	1
2	004-904382	INSUL WRAP 2100-0900	1
3	021-704343 015-903693	GSKT HEAT RESIST 3/4IN DIA CLKG STV/GSKT CEMENT (2000 DEG F) (Recommended with above)	6FT
4	021-704341	INSUL HEAT RESIST	6FT
5	004-704338	PC 1/2 A36 SPCR BOT	1
6	004-704339	PC 3/16 A36 COV BOT	1
7	004-704335	COV TOP 900 HEAT EXCHANGER	1
8	021-704342 015-903693	GSKT HEAT RESIST 1/4x1 CLKG STV/GSKT CEMENT (2000 DEG F) (Recommended with above)	6FT
9	004-905094	PC 16GA A569 BAF 2100 LONG HEAT EXCHANGER	46
10	004-704337 010-702802	ASSY INSP COV HEAT EXCHANGER GSKT DURLON 4-1/4INB DIA (Recommended with above)	1
11	001-702508	TAPE FSK 3IN X 150FT	3.75FT
12	001-700720	BOLT 3/8X1-1/2 PLD GR5	4
13	001-700721	NUT LKG NYL 3/8 UNC PLD	12
14	001-700434	BOLT 3/8X3/4 PLD GR5	2
15	001-700890	NUT 3/8 PLD	2
16	001-700804	BOLT 3/8X1 PLD GR5	8

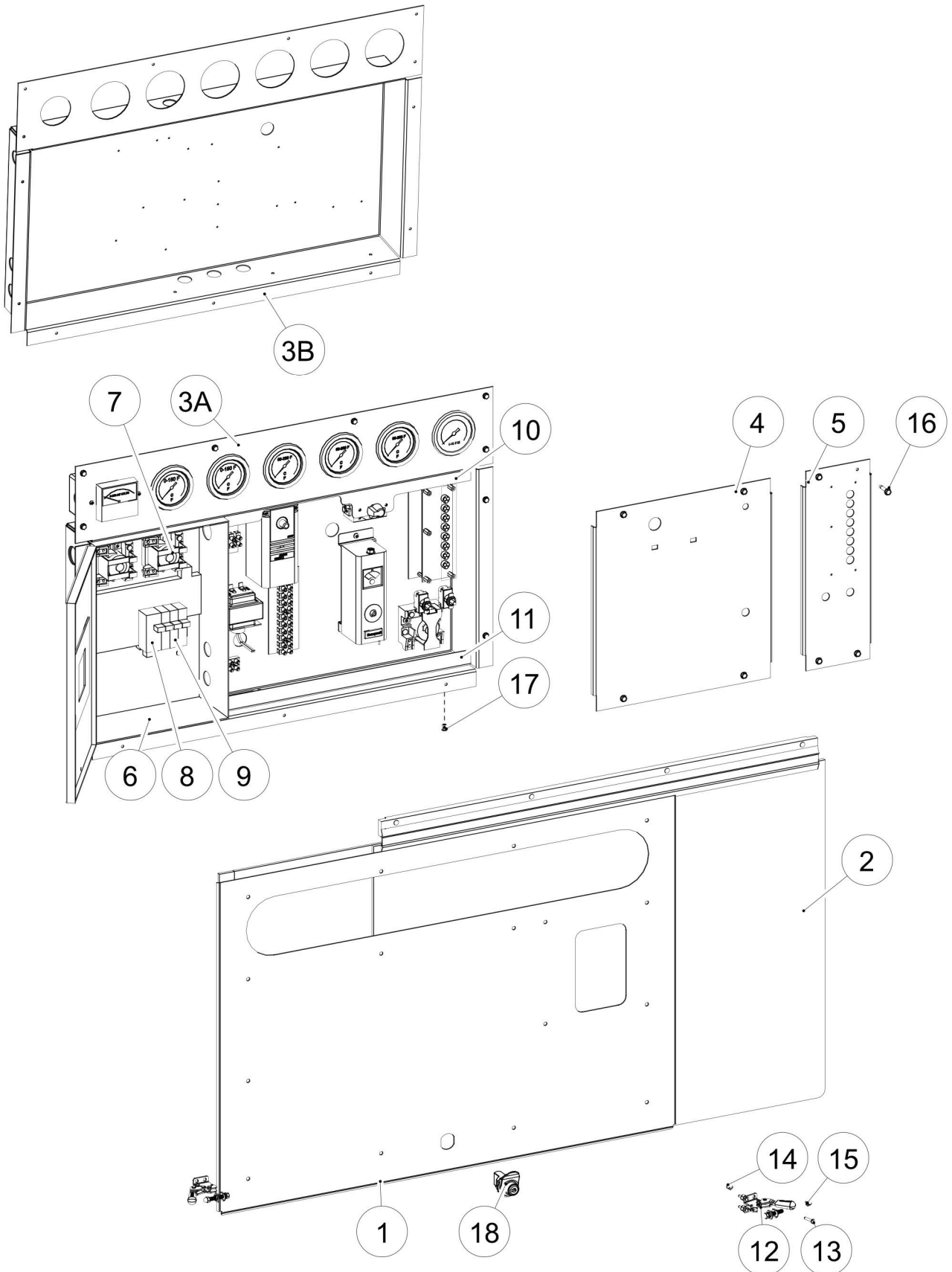




**Central Heating Unit
2100-DG-0900 Series
Glycol Preheater**

S/N: 20526 -
S/N: Current
PAGE: 2.1.6

Item No.	Part No.	Description	Qty.
1	012-702513	HEATER CRCLT 4000W 240V	1
2	011-702701	NIPL COMB 3/4NPTX3/4HB BRS	1
3	002-800025	CONNECTOR 3/8 90DEG BX/FLEX	1
4	002-702843	CONDUIT FLEX/AL 3/8	1
5A	004-902835	BRKT MNT CIRC HTR 9-5/8L C/W SLOT	1
5B	004-702738	BRKT MNT CRC HTR 10-3/4L MOD 2100	1
6	001-700804	BOLT 3/8X1 PLD GR5	3
7	001-700742	WSHR FLT 5/16 PLD	4
8	001-700721	NUT LKG NYL 3/8 UNC PLD	1
		The following components may not be shown	
	006-702894	ELEMENT CRCLT HTR 4000W 240V	1

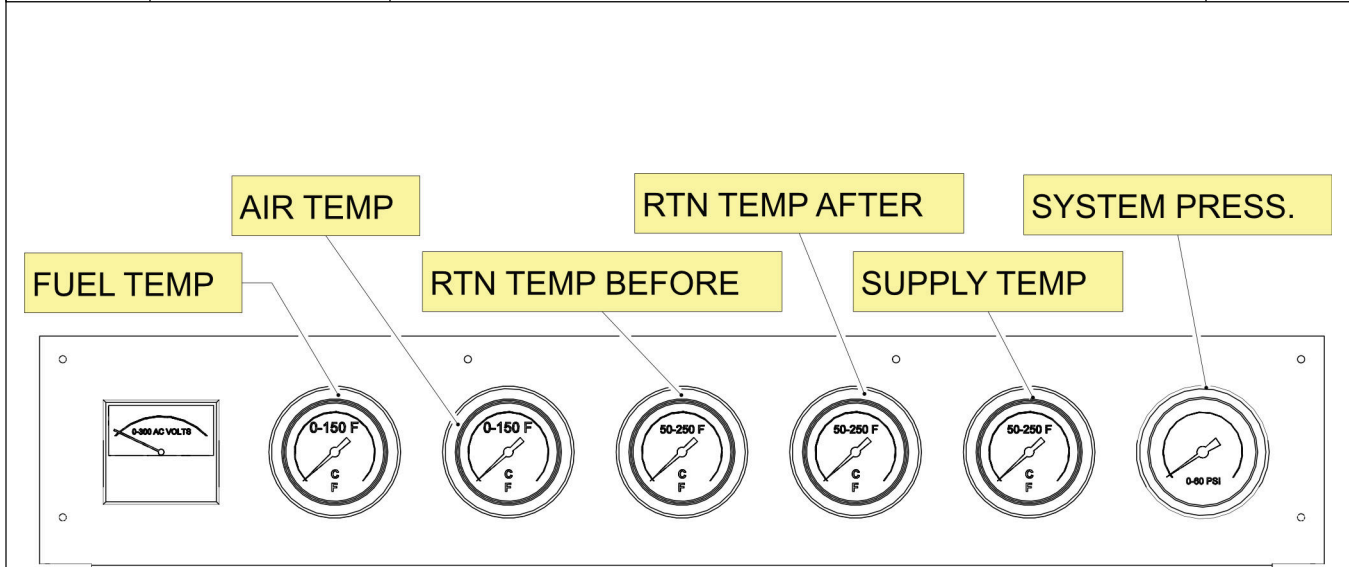




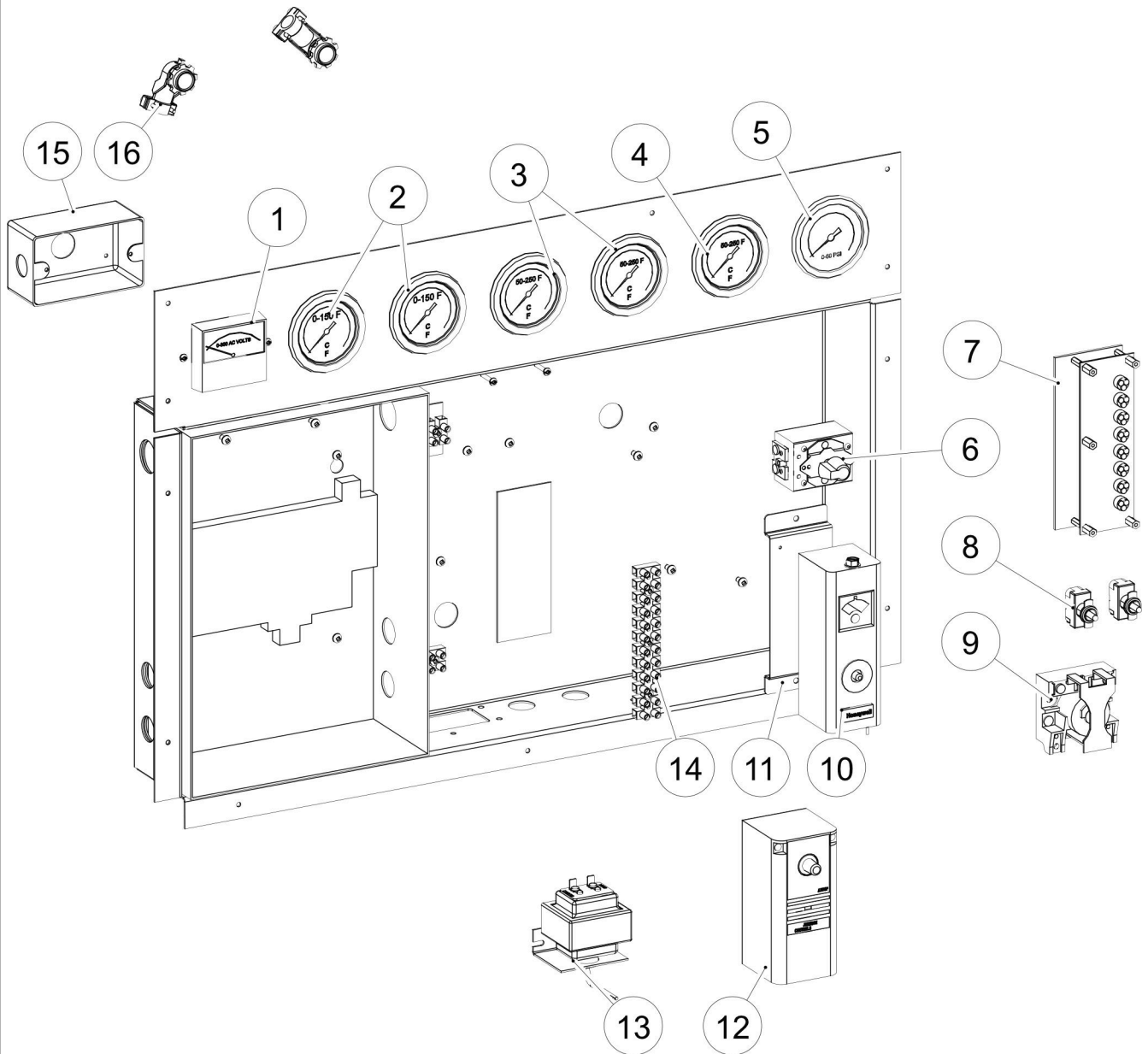
Central Heating Unit 2100-DG-0900 Series Control Panel

S/N: 20526 -
S/N: Current
PAGE: 2.1.8

Item No.	Part No.	Description	Qty.
	018-702643	PKG CTRL PNL/GAUGE CVR DOOR MOD 2100 (Includes 1,2,18)	1
	018-903592	PKG CTRL PNL/GAUGE CVR DOOR 2100 BLUE (Includes 1,2,18)	1
1	004-702486	PNL CVR CTRL GAUGE MOD 2100 CAB R03	1
	004-903591	PNL CVR CTRL GAUGE 2100 CAB BLUE	1
2	004-702647	WINDOW CW HINGE 30L X 22-3/4W MOD 2100-0900	1
3A	004-901317	BOX CTRL PNL MOD 2100 QUICK CONNECT	1
	004-903619	BOX CTRL PNL 2100 QUICK CONNECT PNTD BLUE	1
3B	004-702481	BOX CTRL PNL MOD 2100 CAB R03	1
4	004-702484	PNL CVR CTRL MOD 2100 CAB	1
	004-903622	PNL CVR CTRL 2100 CAB PNTD BLUE	1
5	004-702485	PNL CVR LED/SW MOD 2100 CAB R01	1
	004-903623	PNL CVR LED/SW 2100 CAB PNTD BLUE	1
6	002-800029	BOX PNL Q06121L100TS SQ-D	1
7	002-800038	RELAY 120V DPDT 30A/240V	2
8	002-800066	BRKR PLUG-ON 15A 2P	1
9	002-800040	BRKR PLUG-ON 15A SP	3
10	004-702482	BRKT TOP CTRL PNL MOD 2100 R01	1
11	004-901318	BRKT BOT CTRL PNL MOD 2100 DUAL FUEL	1
12	001-701481	CLP HDL HLDN 213-U HORZ	2
13	001-701183	SCRW MACH 8-32X3/4 RHTHD	8
14	001-701511	NUT LKG NYL 8-32 UNC PLD	8
15	001-703315	NUT ACORN 5MM PLD	2
16	001-700629	SCRW D/T 10-16X3/4 5/16HEX HD PLD	22
17	001-901203	RIVET 5/32 GRP .126 -.250 SS	6
18	001-702586	LOCK PUSH NYLON KEYLOCK IN-LINE PULL TAB	1
		The following components may not be shown	
	001-702586	LOCK PUSH NYLON KEYLOCK IN-LINE PULL TAB	1
	001-901250	RIVET 3/16D X 1/2GRP ALUM	22



Control Panel

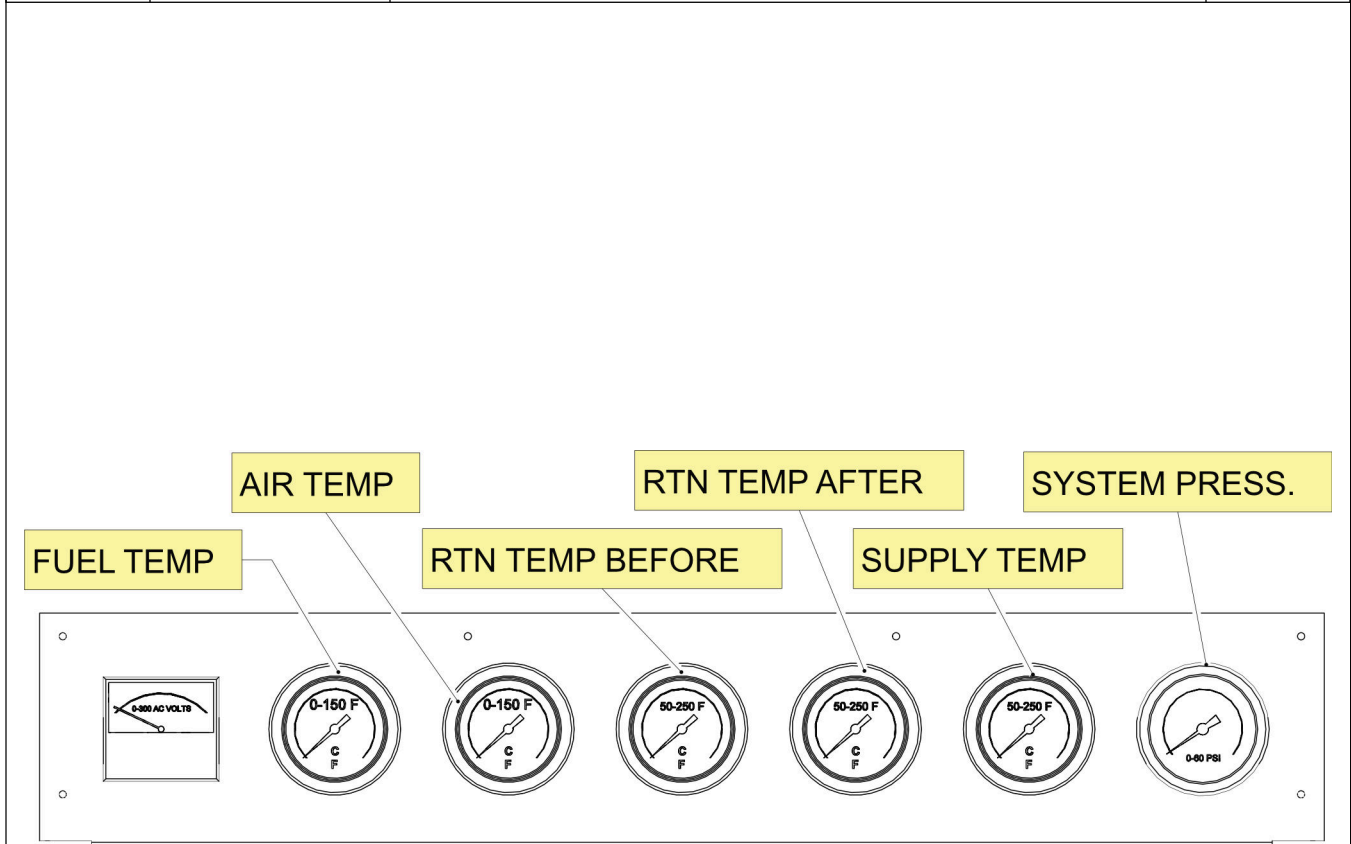




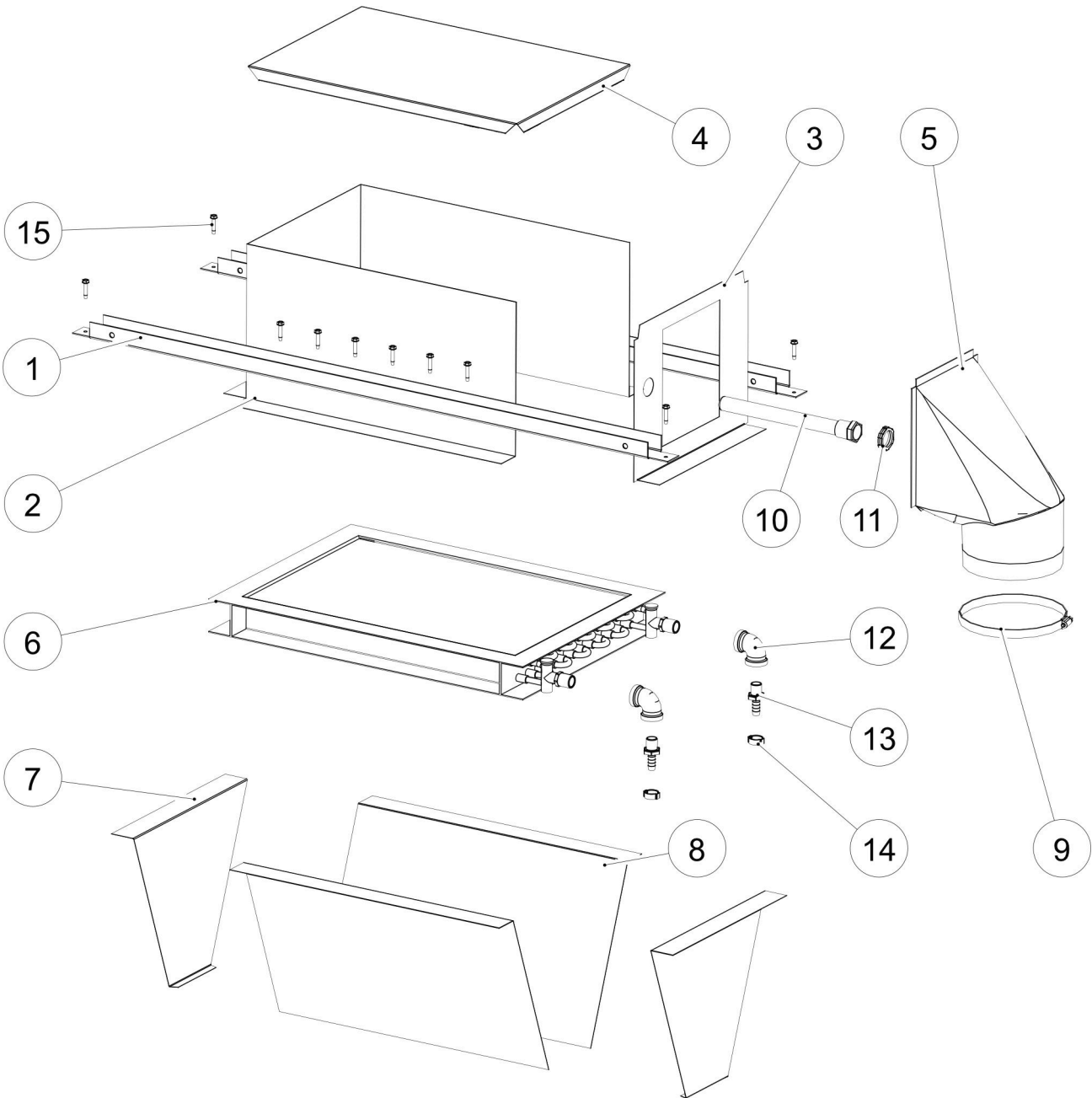
**Central Heating Unit
2100-DG-0900 Series
Control Panel Interior**

S/N: 20526 -
S/N: Current
PAGE: 2.1.10

Item No.	Part No.	Description	Qty.
1	005-702512 006-703482	GAUGE VOLT PNL 0-300V (Includes Resistor) RESISTOR RCD K3-261 10W 27 KJ	1
2	005-702509	GAUGE TEMP 60IN CPLRY 0-150 DEG F	2
3	005-702510	GAUGE TEMP 96IN CPLRY 40-240 DEG F WIKA	2
4	005-701073	GAUGE TEMP 60IN CPLRY 40-240DEG F WIKA	1
5	005-703489	GAUGE PRESS 0-60PSI PNL 2-1/2IN WIKA	1
6A	006-701532	HI-LIMIT G1-11452 (1223)	1
6B	006-904930	KNOB HI LIMIT PLASTIC 1-1/4 HEAD 8-32 SET SCREW	1
7	005-702514	BOARD LED 6GRN-110V 2RED-24V	1
8	002-701359	SW TGL SPST 20A 125V SCRW TERM	2
9	002-702466	RELAY 24V SPST-NC 30A/300V	1
10	006-702140	CNTRL HI LIMIT MAN RESET	1
11	004-900665	BRKT H LIM MOD2100-600-GTS	1
12	006-702126	ELECTRONIC TEMP CONTROL A350	1
13	006-701213	XFMR 40VA 120V 60HZ 24V CLASS 2	1
14	002-702742	TERM STRP LGE 12 POLE 5-1/4L	3
15	002-800031	BOX HANDY 4X2 1/2KO	1
16	002-800025	CONNECTOR 3/8 90DEG BX/FLEX	2
		The following components may not be shown	
	006-703482	RESISTOR RCD K3-261 10W 27 KJ	1
	006-702391	TEMP SENSOR A99BC-25	1
	017-704150	KNOB NYL 1/4 SFT CW POS IND	1



Control Panel Interior

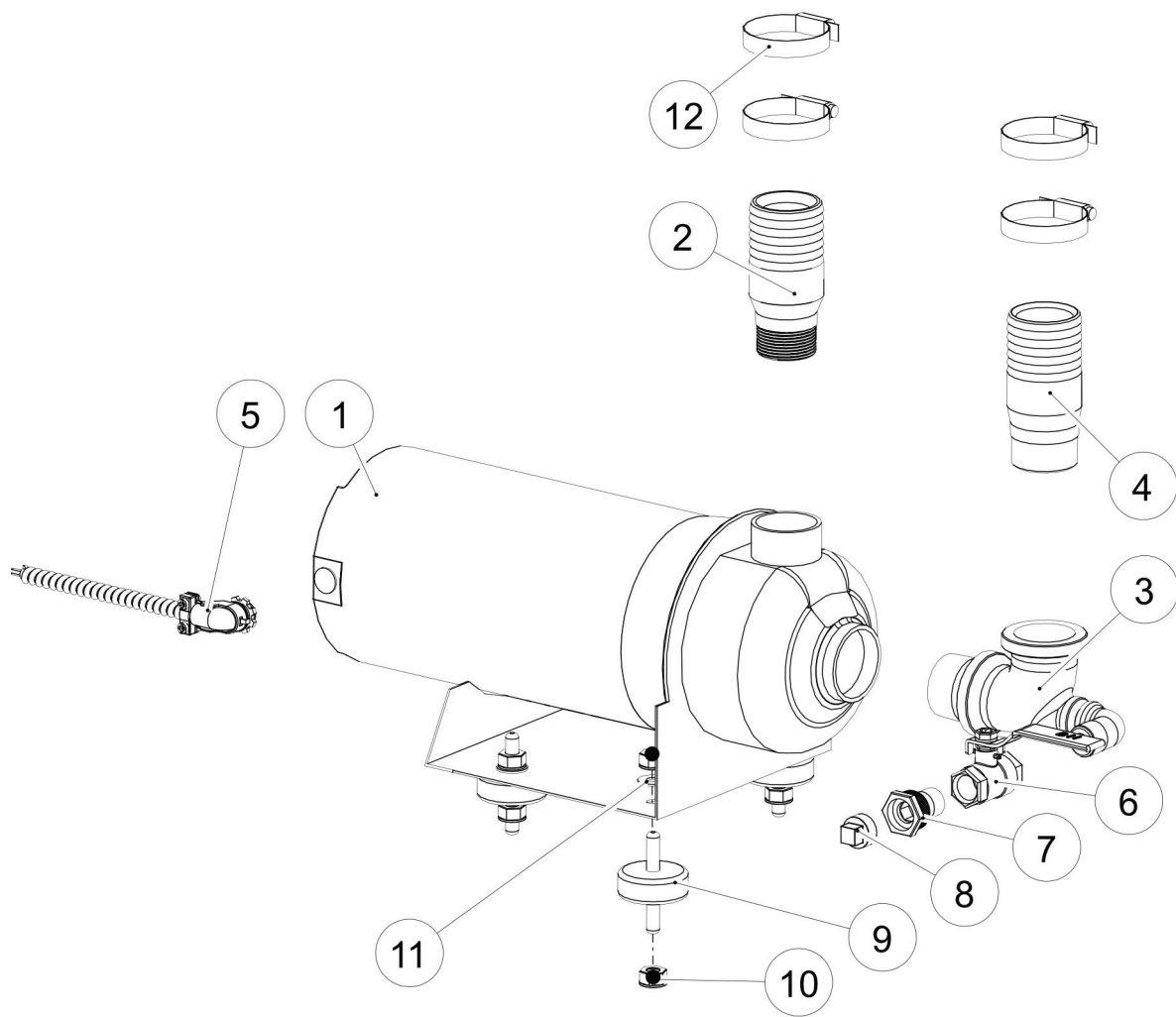




**Central Heating Unit
2100-DG-0900 Series
Air Preheater**

S/N: 20526 -
S/N: Current
PAGE: 2.1.12

Item No.	Part No.	Description	Qty.
	018-702619	PKG AIR PRE-HTR MOD 2100 (Includes 1-13)	1
1	004-702480	BRKT MNT PHTR AIR 2100 CAB R01	2
	004-903626	BRKT MOUNT AIR PRE-HTR 2100 CAB PNTD BLUE	2
2	004-702901	PNL BODY UPR DUCT AIR PRE-HTR MOD 2100	1
3	004-702902	PNL END UPR DUCT AIR PRE-HTR MOD 2100	1
4	004-702903	PNL TOP UPR DUCT AIR PRE-HTR MOD 2100	1
5	004-702520	DUCT TOP TAKE OFF 6 IN	1
6	012-702504	COIL AIR PREHEAT 12X18X2 ROW-8 FPI 1/2IN MPT	1
7	004-702905	PNL END LWR DUCT AIR PRE-HTR MOD 2100	2
8	004-702904	PNL SIDE LWR DUCT AIR PRE-HTR MOD 2100	2
9	001-702651	CLP HOSE HAS96 SLTD HEX HD SS	1
10	005-700204	WELL F/AVTA/B 3/4 BRS BULB	1
11	002-701133	LOCKNUT 3/4 STL CONDUIT	2
12	011-702608	ELB 1/2X90DEG BRS NPTF	2
13	011-702563	NIPL COMB 1/2NPTX3/8HB BRS	2
14	001-702551	CLP 2-EAR #18SS - 3/8ID HOSE	2
15	001-700629	SCRW D/T 10-16X3/4 5/16HEX HD PLD	16

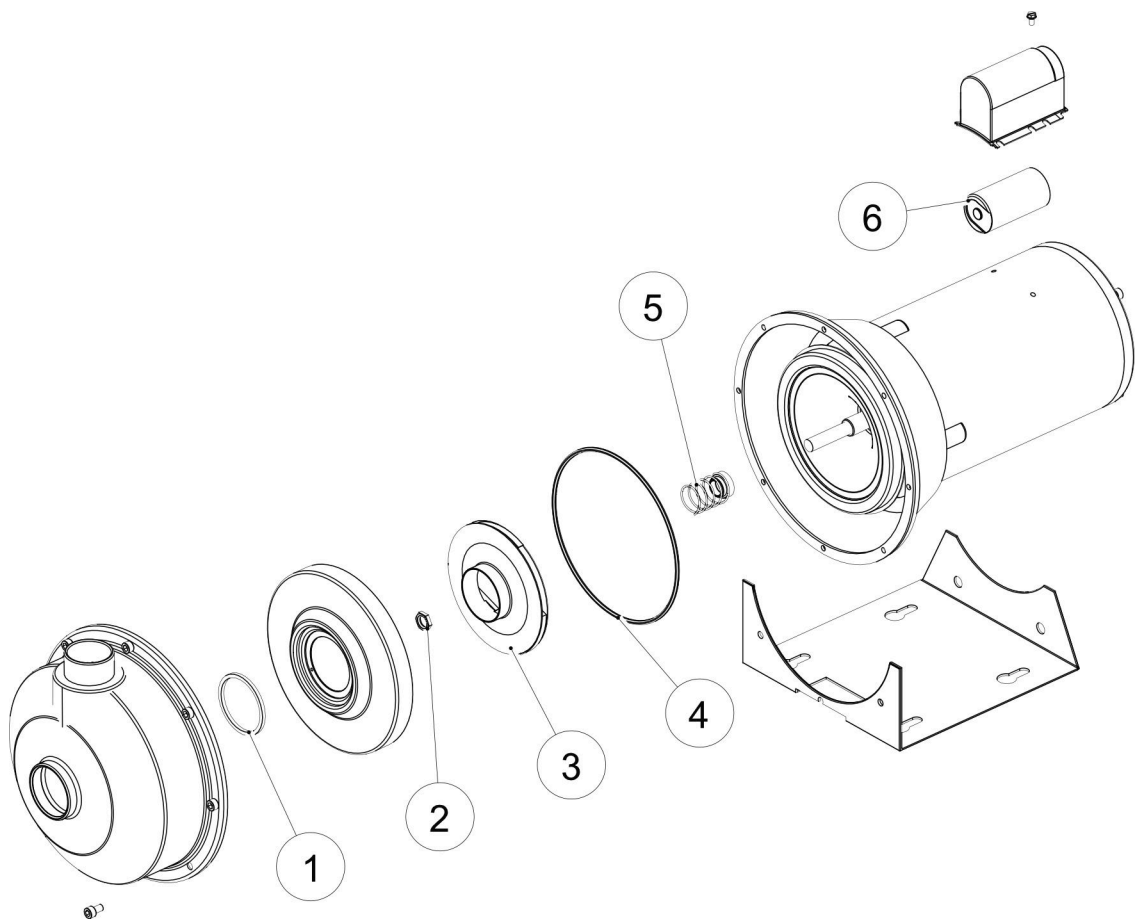




**Central Heating Unit
2100-DG-0900 Series
Pump**

S/N: 20526 -
S/N: Current
PAGE: 2.1.14

Item No.	Part No.	Description	Qty.
1	012-800055	PUMP - see page 2.1.15	
2	011-702056	NIPL COMB 1-1/4NPTX2HB PNTD BLK	1
3	018-702715	PKG PLMB PUMP INLET MOD 2100-0900	1
4	011-700598	NIPL COMB 1-1/2X2 BLK PIPE (PNTD BLK)	1
5	002-800025	CONNECTOR 3/8 90DEG BX/FLEX	1
6	011-700115	VLV BALL 1/2 400WOG STD BRS CGA NPTF	1
7	011-700404	CPLR FEM GARD THD 1/2XSWVL NPTM	1
8	011-704470	PLUG GARDEN HOSE MALE BRS	1
9	001-702461	MNT VIB NEOPRENE 3/8X1 THRD 2IN DIA X 3L	4
10	001-700721	NUT LKG NYL 3/8 UNC PLD	8
11	001-700719	WSHR FLT 3/8 PLD	4
12A	001-700337	CLP HOSE HS32 2-1/2 SLTD HEX HD SS	4
12B	001-901471	CLP HOSE HEAVY-DUTY 59-63MM <small>Recommended</small>	2
		The following components may not be shown	
	002-800041	ANTISHORT BX MM#0	1
	002-800009	CABLE BX COPXLL 2C14 AC-90	13FT





Central Heating Unit 2100-DG-0900 Series Pump

S/N: 20526 -
S/N: Current
PAGE: 2.1.16

Item No.	Description	Part No.				
		012-800052 3/4 HP	012-800053 1 HP	012-905311 2 HP	012-800055 2 HP	012-702751 3 HP
1	SEAL RING GUIDEVANE G & L PUMP	006-703027	006-703008			
2	LOCKNUT IMPELLER G & L PUMP	006-703026				
3	IMPELLER G & L PUMP	006-703028	006-703029	006-703007	006-703030	006-703031
4	O-RING CASING G & L PUMP	006-703006				
5	SEAL MECH G & L PUMP	006-703005				
6A	CAPACITOR PUMP GOULDS	006-701171	006-702799	006-701171		006-703468
6B	CAPACITOR RUN PUMP GOULDS <small>CAPACITOR RATING: 60µF 370V</small>					006-906552
6C	CAPACITOR RUN PUMP GOULDS W/ NIDEC MOTOR <small>CAPACITOR RATING: 40µF 370V</small>					006-906922
6D	CAPACITOR START PUMP GOULDS W/ NIDEC MOTOR <small>CAPACITOR RATING: 233-280µF 165V</small>					006-906923
6E	CAPACITOR PUMP GOULDS W/ NIDEC MOTOR <small>CAPACITOR RATING: 189-227µF 110V</small>	006-906943				

REFER TO PUMP MOTOR NAME PLATE EXAMPLES PRIOR TO ORDERING CAPACITORS

NIDEC MOTOR NAME PLATE EXAMPLE

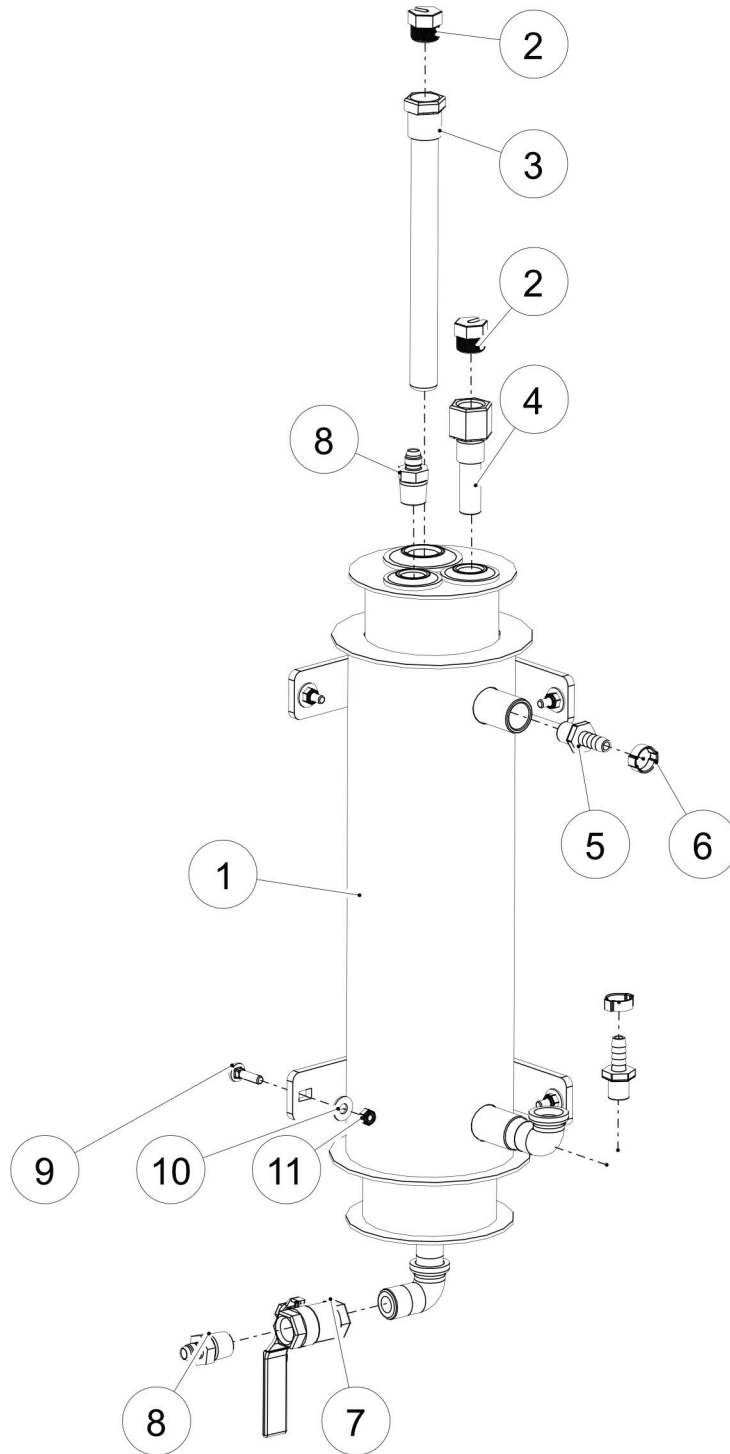
		CUST. NO. E09054BBS	
CAT. NO.	MODEL	INS F	AMB 40 °C PH 1 CODE E
TC635WCWB-1534			
TERMINALLY PROTECTED	AUTO	ENC	ODP
		FRAME	56J
		DUTY	CONT
		DATE CODE	
		PROT. CODE	00240
60 HZ DATA		50 HZ DATA	
3	HP	3	HP
3450	RPM	2850	RPM
208-230	VOLTS	220-230	VOLTS
14.0-13.0	F.L.A.	14.0-15.0	F.L.A.
1.15	S.F.A.	1.0	S.F.A.
16.0-14.0	S.F.A.	N/A	S.F.A.
CE IP22			
SUITABLE FOR FIELD WIRING. USE COPPER CONDUCTORS ONLY			
WARNING: MOTOR MUST BE GROUNDED IN ACCORDANCE WITH LOCAL AND NATIONAL ELECTRIC CODES. COMPONENT COVER MUST BE IN PLACE BEFORE OPERATING TO PREVENT ELECTRICAL SHOCK OR INJURY.			

WEG, BLUFFTON MOTOR NAME PLATE EXAMPLE

		MAT 1530627 SERIAL 107319461	
HZ	V	HZ	V
60	115/208-230	50	115/230
V		V	
HP	0.75	HP	0.75
RPM	3450	RPM	2875
FLA	9.2/4.6-4.6	FLA	12.2/6.1
SF	1.5	SF	1.00
SFA	12.0/6.5-6.0	SFA	
FR	56J	PH	1
INS	B	TYPE	U
ENC	DP	MAX	40°C
INS	B		
CONT	(S1)		
ENC	DP		
CERT ID	4103007456		
DSN	22H0111 8		
WARNING: Always disconnect motor from power supply before servicing. Fatal shock may result if motor frame and adjacent metal are not grounded in compliance with electrical code.			
THERMALLY PROTECTED AUTOMATIC RESET. Motor will restart without warning after protector trips. Do not install this motor on equipment where automatic startup could result in injury.			

HIGH VOLTAGE

LOW VOLTAGE

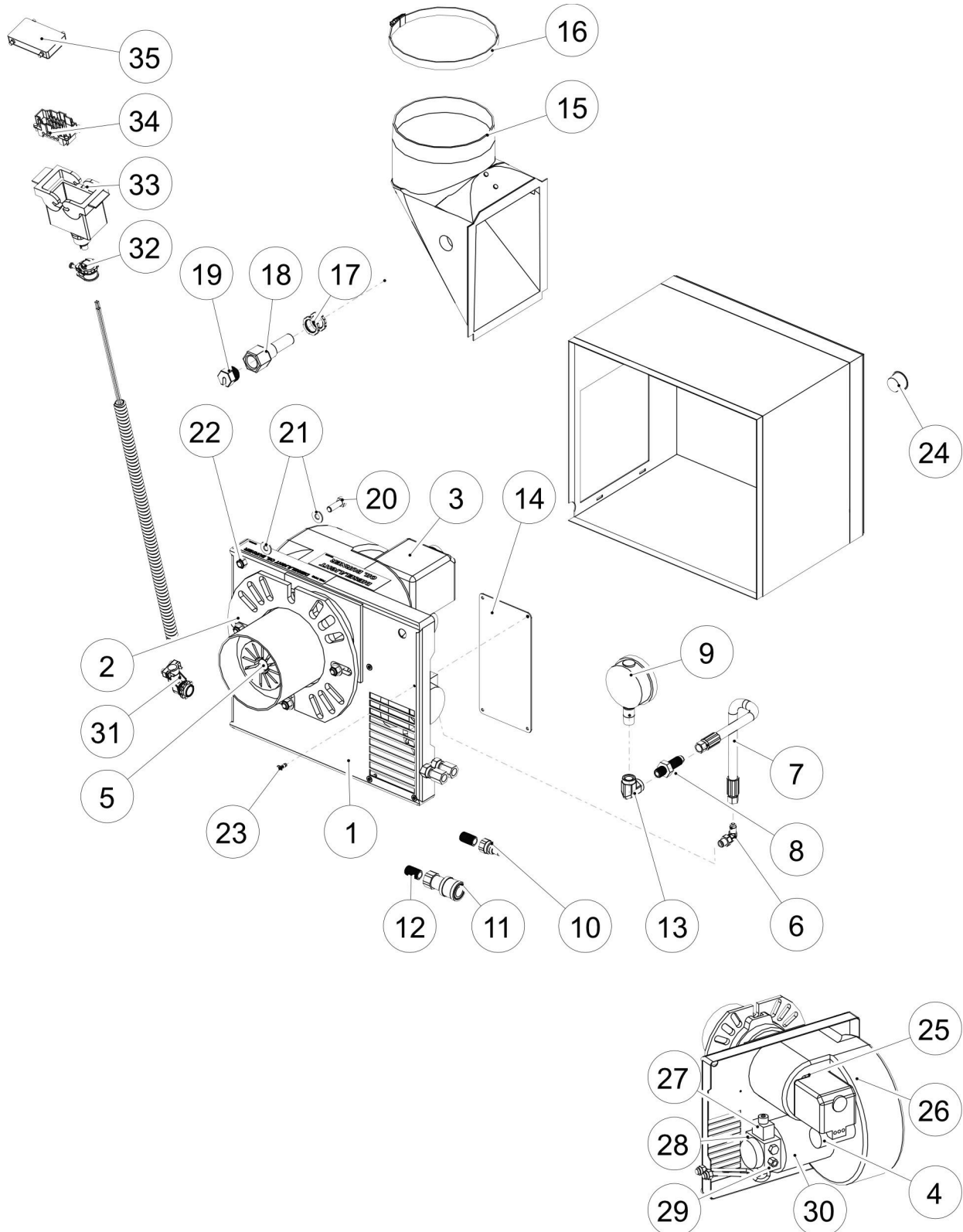




**Central Heating Unit
2100-DG-0900 Series
Fuel Preheater**

S/N: 20526 -
S/N: Current
PAGE: 2.1.18

Item No.	Part No.	Description	Qty.
1	010-702585	PRE-HTR FUEL MOD 2100 R05	1
2	005-702757	NUT SPLIT WELLCAP 3/4 FINE THREAD	2
3	005-700204	WELL F/AVTA/B 3/4 BRS BULB	1
4	005-702592	WELL THERM BRS 4-3/8IN .385 BORE 1/2IN NPT	1
5	011-702563	NIPL COMB 1/2NPTX3/8HB BRS	2
6	001-702551	CLP 2-EAR #18SS - 3/8ID HOSE	2
7	011-700115	VLV BALL 1/2 400WOG STD BRS CGA NPTF	1
8	011-702625	ADPTR 1/2 NPT X #6JIC 37DEG FLARE	2
9	001-701423	BOLT CRG 1/4X1 PLTD	4
10	001-700129	WSHR FLT 1/4 PLD	4
11	001-700042	NUT LKG NYL 1/4 UNC PLD	4

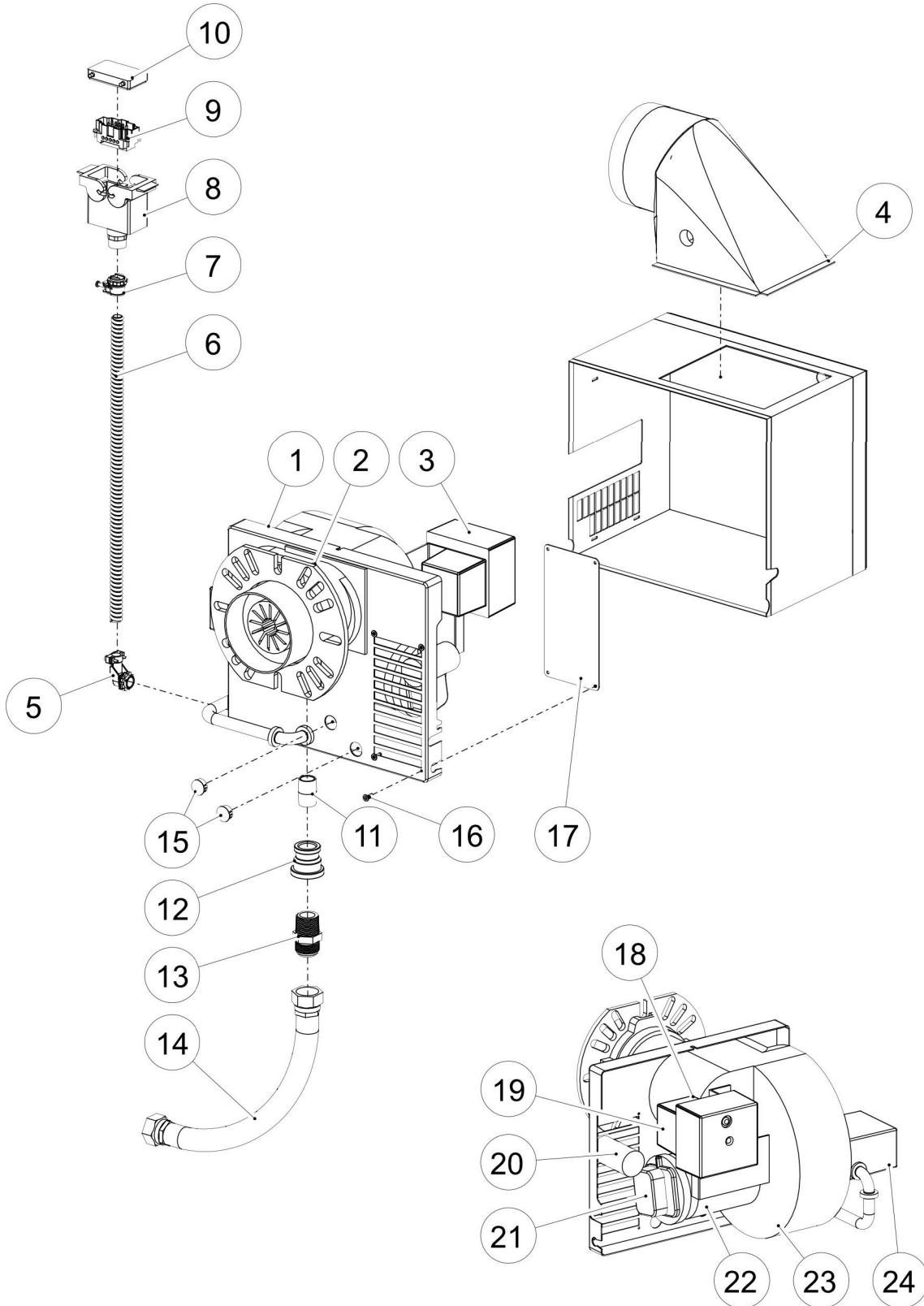




**Central Heating Unit
2100-DG-0900 Series
Burner - Diesel**

S/N: 20526 -
S/N: Current
PAGE: 2.1.20

Item No.	Part No.	Description	Qty.
	018-901329	PKG BURNER MOD 2100-0900 DIESEL QUICK CONNECT (Includes 1-19,23-35)	1
	018-702706	PKG BURNER MOD 2100-0900 DIESEL (Includes 1-19,23-31)	1
1	012-702501	BURNER RIELLO 40-F20 FUEL OIL	1
	006-906338	CVR RIELLO F20 BURNER	1
2	006-702789	GSKT MNT RIELLO 40-F15/F20	1
3	006-702790	CNTRL PRIMARY RIELLO 40 F5/F20	1
4	006-702784	CAPACITOR RIELLO 40-F15/F20	1
5	011-702728	NOZZLE OIL BNR B 5.00X60DEG	1
6	011-702798	ADPTR 90DEG 1/8SPP X 7/16JIC 37DEG FLARE	1
7	004-704661	FUEL LINE 1/4X10IN #6/#4JICF 37DEG STR SWVL	1
8	011-703015	ADPTR BHD 1/4NPTX9/16JIC 37DEG FLARE	1
9	005-702511	GAUGE PRESS 0-300 PSI 1/4NPT LWR CONN	1
10	011-703823	QC NIPL 1/4 STL PLD NPTF	1
11	011-703822	QC CPLR 1/4 STL PLD NPTF	1
12	011-703824	NIPL 1/4X1(CL) BRS NPT	1
13	011-703016	ELB 1/4X90DEG PLD STEEL NPT	1
14	004-702739	PLT 16GAX3-3/4X7-3/4	1
15	004-702520	DUCT TOP TAKE OFF 6 IN	1
16	001-702651	CLP HOSE HAS96 SLTD HEX HD SS	1
17	002-701131	LOCKNUT 1/2 STL CONDUIT	2
18	005-702592	WELL THERM BRS 4-3/8IN .385 BORE 1/2IN NPT	1
19	005-702757	NUT SPLIT WELLCAP 3/4FINE THREAD	1
20	001-700743	BOLT 5/16X1 PLD GR5	4
21	001-700742	WSHR FLT 5/16 PLD	8
22	001-700741	NUT LKG NYL 5/16 UNC PLD	4
23	001-700803	RIVET 5/32 GRP .3125-.375 SS	4
24	016-702726	PLUG PLSTC 3/4NPT CW PULL TAB	1
25	006-703402	ELECTRODE ASSY 5IN RIELLO 40-F15/F20	1
26	006-902844	FAN RIELLO F15/F20/G750/G900	1
27	006-702785	COIL OIL VLV RIELLO 40-F5/F20	1
28	006-702794	PUMP RIELLO 40-F20	1
29	006-702792	KEY PUMP DRIVE RIELLO 40-F5/F20	1
30	006-702783	MOTOR RIELLO 40-F15/F20/G750/G900	1
31	002-800025	CONNECTOR 3/8 90DEG BX/FLEX	1
32	002-800026	CONNECTOR 3/8 BX/MND/FLEX	1
33	002-703766	CONN HOOD 10POLE 16A/600V DBL LVR 1/2NPT TOP	1
34	002-703764	TERM M INSERT 10POLE 16A/600V	1
35	002-703767	CONN CVR 10POLE 16A/600V 4-PEG	1
		The following components may not be shown	
	002-800027	CONDUIT FLEX/AL 7/16X300	3.5FT
	006-702788	PHOTOCELL RIELLO 40-F5/F20	1
	006-702796	PKG SERVICE RIELLO 40-F20 FUEL OIL	1

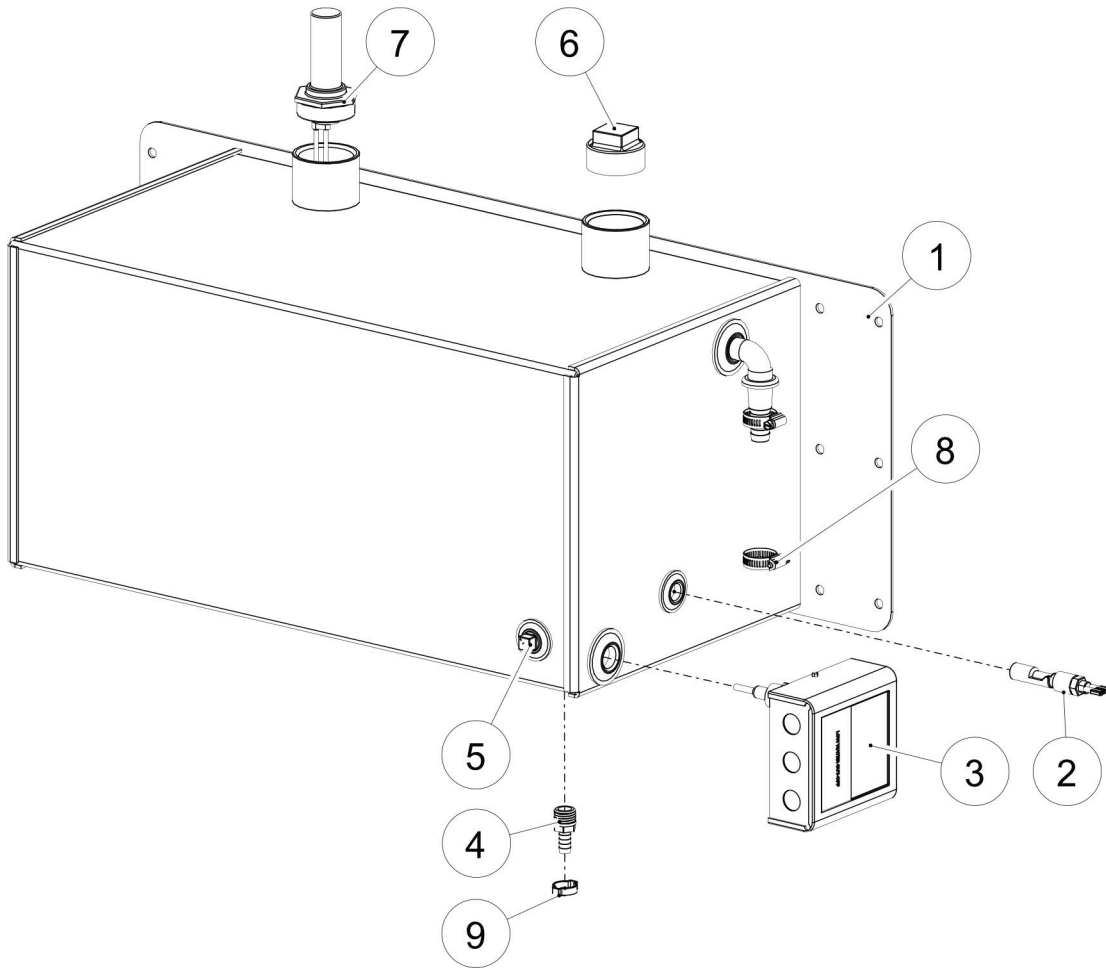




**Central Heating Unit
2100-DG-0900 Series
Burner - LP/NG**

S/N: 20526 -
S/N: Current
PAGE: 2.1.22

Item No.	Part No.	Description	Qty.
	000-901717	PKG BURNER NATURAL GAS RIELLO 40-G900 CW BOX <small>(Includes 1A,2-14)</small>	1
	000-901789	PKG BURNER PROPANE RIELLO 40-G900 CW BOX <small>(Includes 1B,2-14)</small>	1
1A	012-901667	BURNER RIELLO 40-G900 NATURAL GAS	1
1B	012-903687	BURNER RIELLO 40-G900 PROPANE	1
2	006-702789	GSKT MNT RIELLO 40-F15/F20	1
3	005-704160	CONT PRI BOX RMG88 RIELLO 40-G750	1
4	004-702520	DUCT TOP TAKE OFF 6 IN	1
5	002-800025	CONNECTOR 3/8 90DEG BX/FLEX	1
6	002-800027	CONDUIT FLEX/AL 7/16X300	3 FT
7	002-800026	CONNECTOR 3/8 BX/MND/FLEX	1
8	002-703766	CONN HOOD 10POLE 16A/600V DBL LVR 1/2NPT TOP	1
9	002-703764	TERM M INSERT 10POLE 16A/600V	1
10	002-703767	CONN CVR 10POLE 16A/600V 4-PEG	1
11	011-700130	NIPL 3/4X1-1/2 BLK PIPE CL 125 NPT	1
12	011-701172	CPLR RDCG 1X3/4 MI	1
13	011-901736	ADPTR 1MJIC 37X1MPT STL	1
14	004-901755	HOSE 1X16 NG CSAII FJ16FJ16	1
15	016-901720	PLUG 13/16 HOLE BLK NYL	2
16	001-700803	RIVET 5/32 GRP .3125-.375 SS	4
17	004-702739	PLT 16GAX3-3/4X7-3/4	1
18	006-901782	FUSE 6.25A RIELLO 40-G900	2
19A	006-901779	XFMR IGN RIELLO 40-G900	1
19B	006-901780	WIRE HIGH VLTG LEAD RIELLO 40-G900	1
20	006-901771	CAPACITOR 20 UF RIELLO 40-G750/G900	1
21A	006-901777	SW AIR RIELLO 40-G900	1
21B	006-901778	SW AIR TUBE CW CONNECTOR RIELLO G900	1
22	006-702783	MOTOR RIELLO 40-F15/F20/G750/G900	1
23	006-902844	FAN RIELLO F15/F20/G750/G900	1
24	006-901776	SERVOMOTOR RIELLO G900	1
		The following components may not be shown	
	006-905120	PKG NG 3.7 ORF RIELLO 40-G900	1
	006-901770	PKG LP 2 ORF CW WSHR RIELLO G900	1
	002-704162	ELECTRODE ASSY RIELLO 40-G750/G900	1
	006-901783	IONIZATION ASSY RIELLO 40-G900	1
	006-901781	WIRE IONIZATION LEAD RIELL 40-G900	1

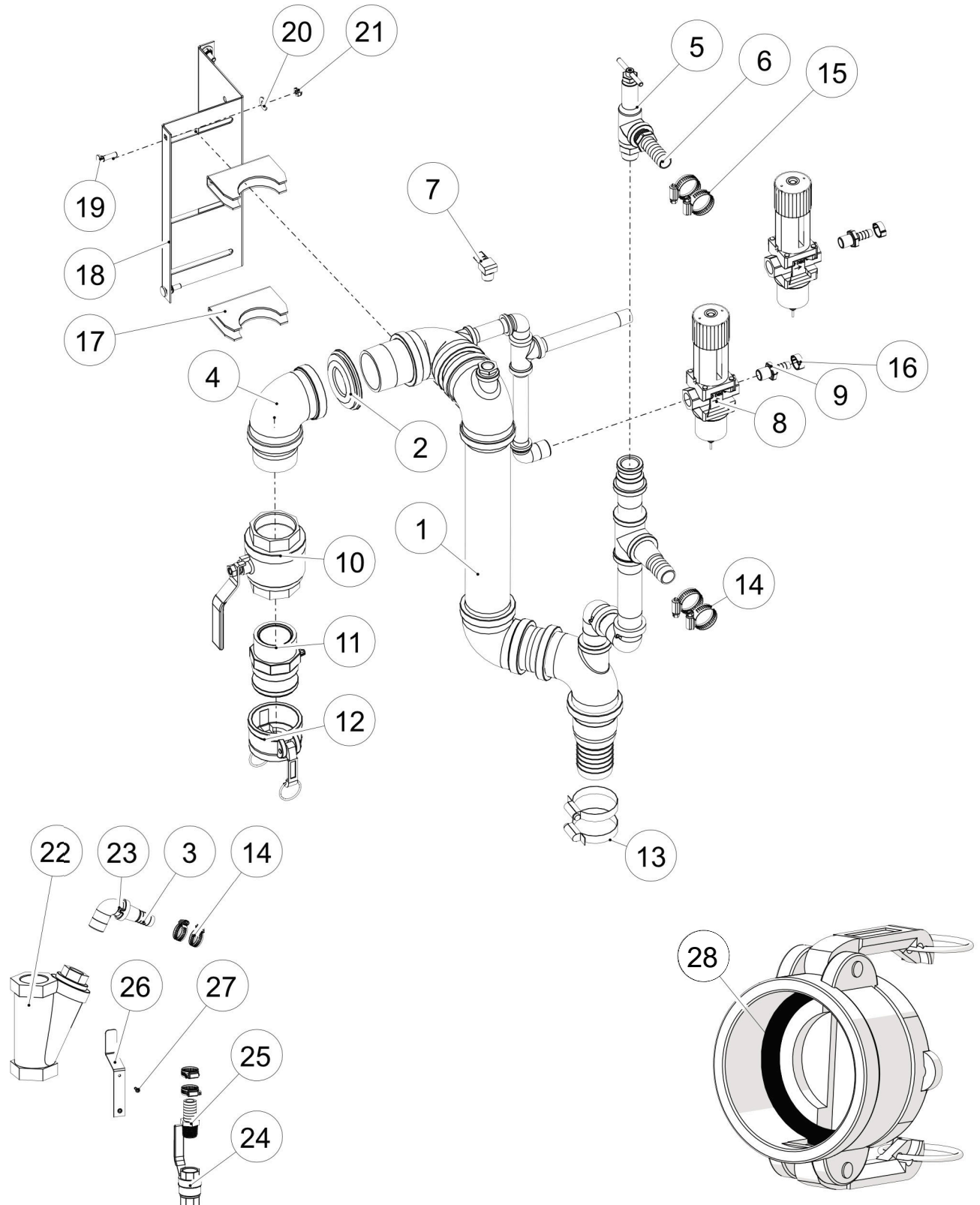




**Central Heating Unit
2100-DG-0900 Series
Glycol Tank**

S/N: 20526 -
S/N: Current
PAGE: 2.1.24

Item No.	Part No.	Description	Qty.
1	010-702460	TANK GLY MOD 2100-0900	1
2	002-702012	SW-FLOAT FSH-31	1
3	006-700191	LOW WATER CUT-OFF CW PROBE	1
4	011-702565	NIPL COMB 1/2NPTX1/2HB BRS	1
5	011-700073	PLUG 1/2 SQ HD MI NPTM	1
6	011-700395	PLUG 2 SQ HD MI NPTM CL150/PN20	1
7	005-703701	GAUGE LVL 13IN SS 2IN NPT	1
8	001-701890	CLP HOSE 1-1/4 SIZE 12	2
9	001-702552	CLP 2-EAR #22SS - 1/2ID HOSE	1
		The following components may not be shown	
	006-901802	PKG GAUGE LVL GLASS(KRUGER SENTRY)	1

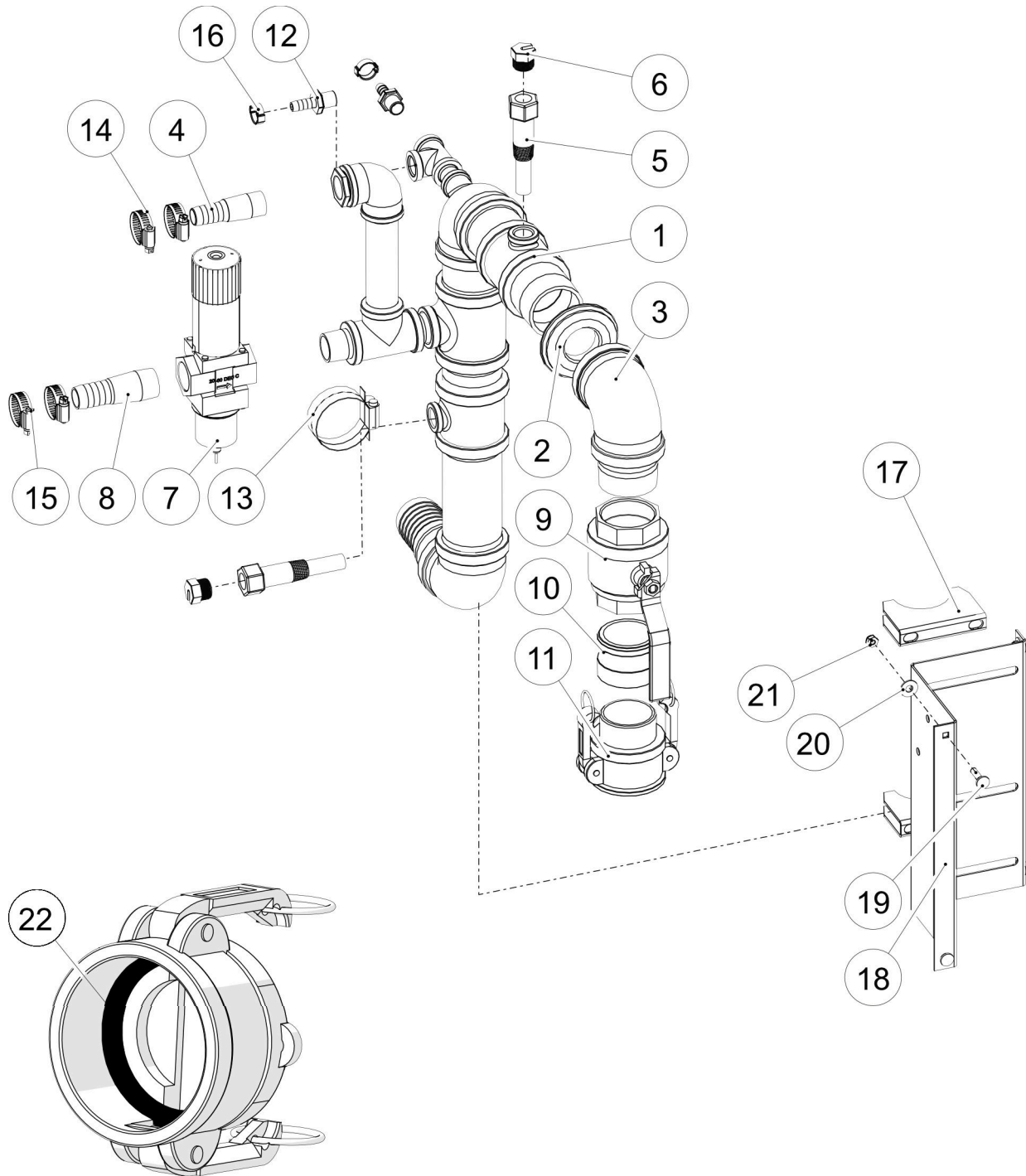




**Central Heating Unit
2100-DG-0900 Series
Supply Plumbing**

S/N: 20526 -
S/N: Current
PAGE: 2.1.26

Item No.	Part No.	Description	Qty.
1	018-905330	ASSY PLMB SPLY MOD 2100-900	1
2	009-700157	GROM 2.1X3.25 RBR PIPE 2	1
3	011-702060	NIPL COMB 1X1 BLK PIPE HB	1
4	018-701619	PKG EXT PLMB RAYPAK CAB	1
5	005-700121	VLV BYPASS PRESS RLF 3/4 BRS	1
6	011-702701	NIPL COMB 3/4NPTX3/4HB BRS	1
7	011-701077	CPRSN FTG ELB 1/4TX3/8 90DEG MPT	1
8	005-702505	VLV DANFOSS 1/2IN AVTB 15 0-30 DEG C TEMP RNG	2
9	011-702563	NIPL COMB 1/2NPTX3/8HB BRS	2
10	011-701442	VLV BALL 2 FL PT CSA/UL	1
11	011-700278	KMLCK 2 PART F ADPTR AL NPTM	1
	011-903555	KMLCK 2 PART F ADPTR NPTM BRS	1
12	011-700390	KMLCK 2 PART DC DUST CAP AL	1
	011-903556	KMLCK 2 PART DC DUST CAP BRS	1
13A	001-700337	CLP HOSE HS32 2-1/2 SLTD HEX HD SS	2
13B	001-901471	CLP HOSE HEAVY-DUTY 59-63MM <small>Recommended</small>	1
14	001-700275	CLP HOSE HAS16 SLTD HEX HD SS	6
15	001-701890	CLP HOSE 1-1/4 SIZE 12	2
16	001-702551	CLP 2-EAR #18SS - 3/8ID HOSE	2
17	004-700595	SADDLE EXT BODY 2-1/4 MUF CLP 2 PIPE SCH40	2
18	004-702479	BRKT PLMB MOUNT MOD 2100-0900 CAB R01	1
	004-903603	BRKT PLMB MNT 2100 CAB PNTD BLUE	1
19	001-701423	BOLT CRG 1/4X1 PLTD	4
20	001-700129	WSHR FLT 1/4 PLD	4
21	001-700042	NUT LKG NYL 1/4 UNC PLD	4
22	011-700083	STRAINER Y 2 CI 20MSCR FNPT	1
23	011-700103	ELB ST 1X90DEG MI CL150 NPT	1
24	011-700366	VLV BALL 1 400WOG FL PT BRS CGA NPTF	1
25	011-702153	NIPL COMB 1*1 BRS ADPTR	1
26	004-701406	BRKT FLUSH HOSE RTNR MOD2000 CAB RAYPAK	1
27	001-700803	RIVET 5/32 GRP .3125-.375 SS	2
28A	006-702959	GSKT 2IN KMLCK CPLR STD	1
28B	006-900823	GSKT 2IN KMLCK CPLR SILICONE RBR	1
28C	006-702962	GSKT 2IN KMLCK CPLR THICK	1
		The following components may not be shown	
	011-701177	GSKT 2 Y PATT STR PTFE	1
	006-702400	SCREEN Y-STR 20MESH 2IN	1

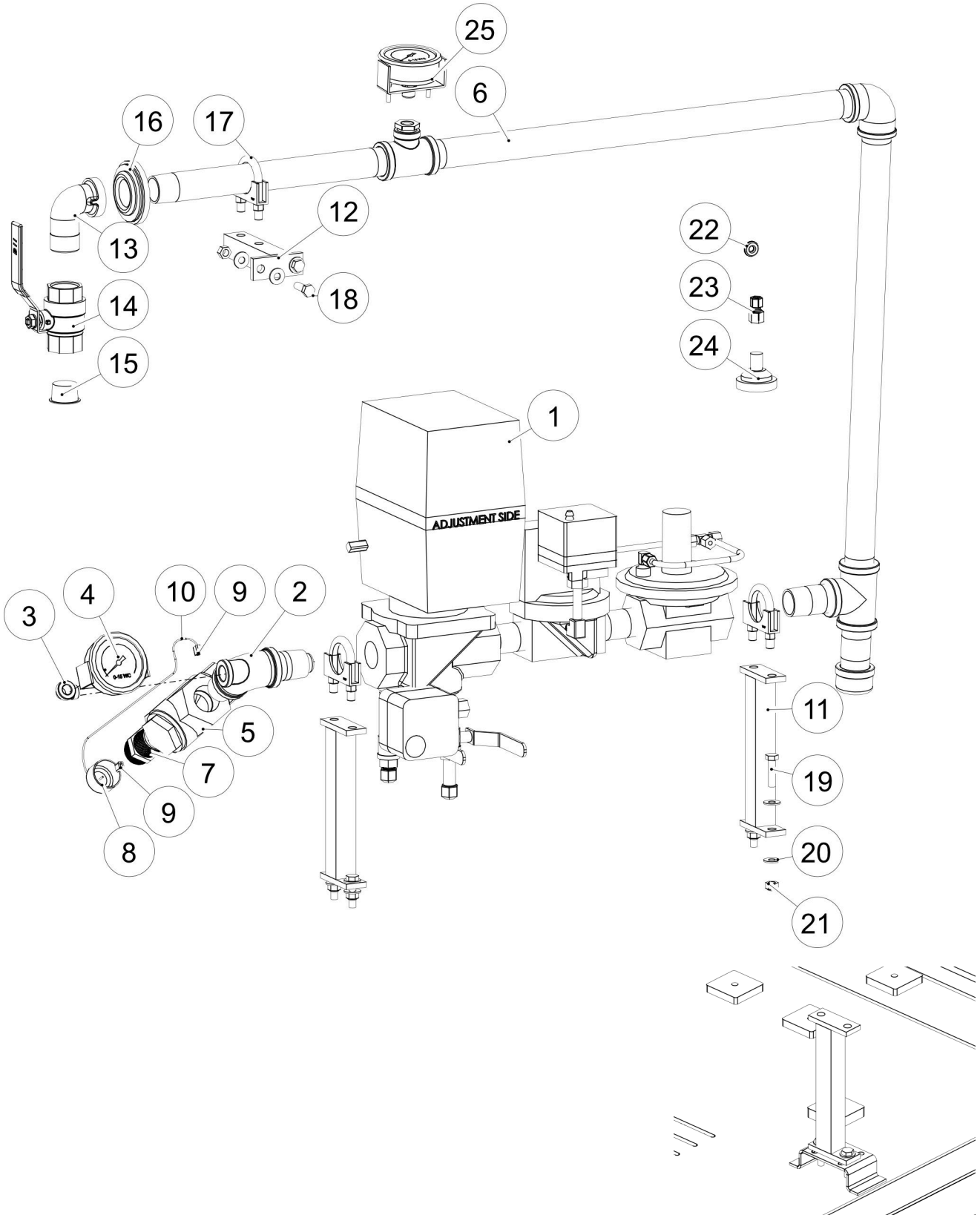




**Central Heating Unit
2100-DG-0900 Series
Return Plumbing**

S/N: 20526 -
S/N: Current
PAGE: 2.1.28

Item No.	Part No.	Description	Qty.
1	018-702718	PKG PLMB RETURN MAIN MOD 2100-0900	1
2	009-700157	GROM 2.1X3.25 RBR PIPE 2	1
3	018-701619	PKG EXT PLMB RAYPAK CAB	1
4	011-702062	NIPL COMB 3/4X3/4 BLK PIPE HB	1
5	005-900590	WELL THERM BRS 4 IN .385BORE 1/2MPT 1-5/8INSER	2
6	005-702757	NUT SPLIT WELLCAP 3/4FINE THREAD	2
7	005-700120	VLV MOD DANFOSS AVTB 25 1 TEMP REG	1
8	011-702060	NIPL COMB 1X1 BLK PIPE HB	1
9	011-701442	VLV BALL 2 FL PT CSA/UL	1
10	011-700279	KMLCK 2 PART B CPLR AL NPTM	1
	011-903554	KMLCK 2 PART B CPLR BRS	1
11	011-700391	KMLCK 2 PART DP DUST PLUG AL	1
	011-903557	KMLCK 2 PART DP DUST PLUG BRS	1
12	011-702563	NIPL COMB 1/2NPTX3/8HB BRS	2
13A	001-700337	CLP HOSE HS32 2-1/2 SLTD HEX HD SS	2
13B	001-901471	CLP HOSE HEAVY-DUTY 59-63MM <small>Recommended</small>	1
14	001-701890	CLP HOSE 1-1/4 SIZE 12	2
15	001-700275	CLP HOSE HAS16 SLTD HEX HD SS	2
16	001-702551	CLP 2-EAR #18SS - 3/8ID HOSE	2
17	004-700595	SADDLE EXT BODY 2-1/4 MUF CLP 2 PIPE SCH40	2
18	004-702479	BRKT PLMB MOUNT MOD 2100-0900 CAB R01	1
	004-903603	BRKT PLMB MNT 2100 CAB PNTD BLUE	1
19	001-701423	BOLT CRG 1/4X1 PLTD	4
20	001-700129	WSHR FLT 1/4 PLD	4
21	001-700042	NUT LKG NYL 1/4 UNC PLD	4
22A	006-702959	GSKT 2IN KMLCK CPLR STD	1
22B	006-900823	GSKT 2IN KMLCK CPLR SILICONE RBR	1
22C	006-702962	GSKT 2IN KMLCK CPLR THICK	1

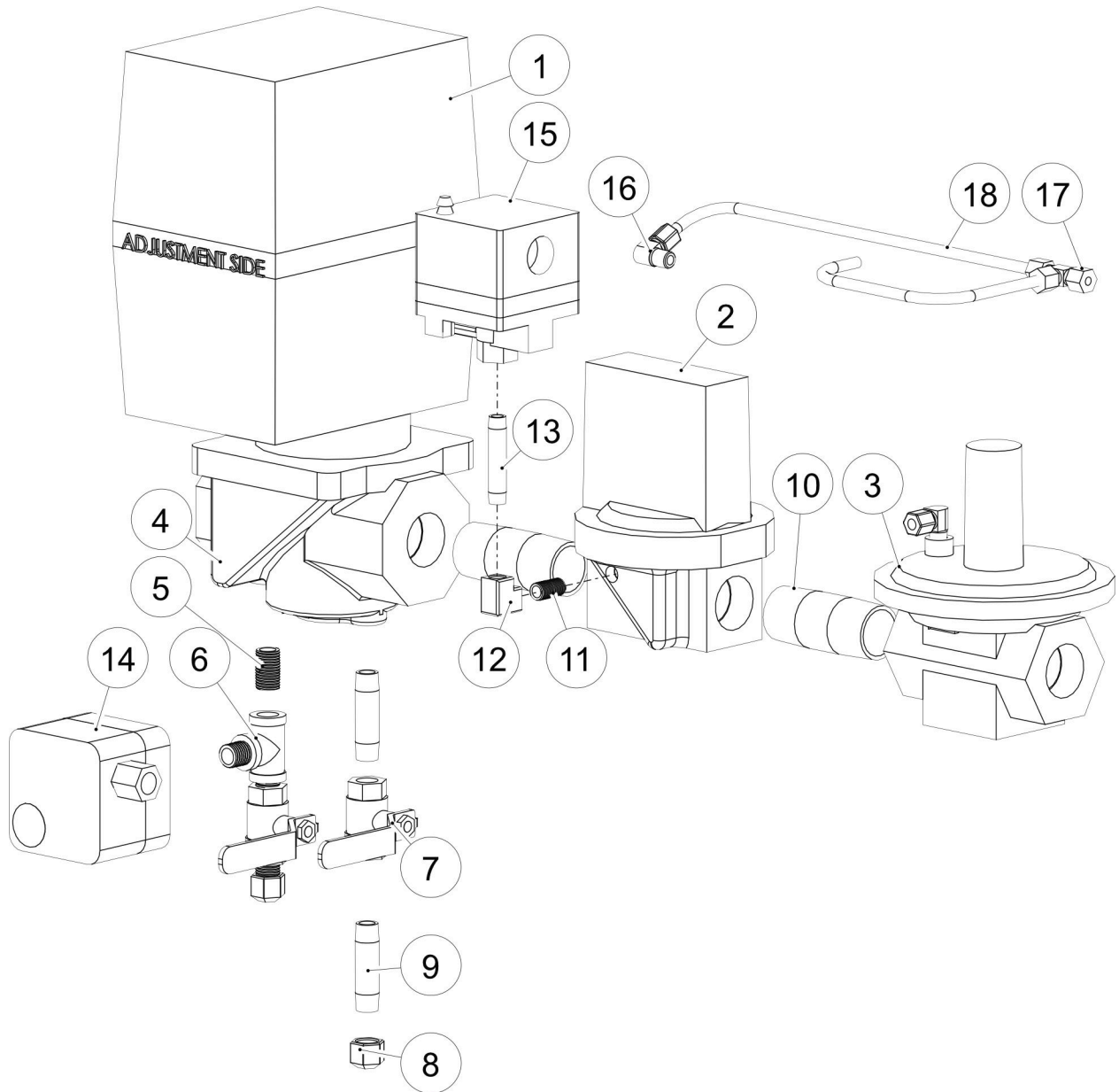




**Central Heating Unit
2100-DG-0900 Series
Gas Train**

S/N: 20526 -
S/N: Current
PAGE: 2.1.30

Item No.	Part No.	Description	Qty.
1		GAS TRAIN - see page 2.1.31	
2	018-901714	PKG GAS LINE 1IN AFTER TRAIN 2100-DG	1
3	011-703790	ELB ST 1/4X90DEG BRS NPT	1
4	005-703490	GAUGE LO-PRESS 0-15IN WC PNL 2-1/2IN WIKA	1
5		G900 GAS SHUT OFF VALVE - CALL DRYAIR	1
6	018-903683	PKG GAS LINE 1IN BEFORE TRAIN 900-V2	1
7	011-901736	ADPTR 1MJIC 37X1MPT STL	1
8	011-901744	CAP ALUM 1-5/16 1JIC THD	1
9	001-700450	SLEEVE OVAL 1/16 AL CABLE	2
10	001-700451	CABLE ACFT 7X7 1/16 GALV	1FT
11	004-703842	STAND GAS TRAIN 7-5/16L 2100-DG	2
12	004-703843	BRKT GAS TRAIN 2100-DG	1
13	011-702415	ELB ST 1X90DEG BRS NPT	1
14	011-700366	VLV BALL 1 400WOG FL PT BRS CGA NPTF	1
15	015-700659	PLUG TPR PLSTC #44 FOR 1IN FPT	1
16	009-700016	GROM 1.235X2.375 RBR PIPE 1	1
17	001-703040	CLP MUF 1-1/4IN 5/16UNC PLD	3
18	001-700743	BOLT 5/16X1 PLD GR5	2
19	001-700959	BOLT 5/16X1-1/4 PLD GR5	4
20	001-700742	WSHR FLT 5/16 PLD	12
21	001-700741	NUT LKG NYL 5/16 UNC PLD	6
22	009-703768	GROM 9/32IDX11/16ODX1/4GRV RBR 1/4TUBE	1
23	011-701175	CPRSN FTG CON 1/4TX1/4 FPT	1
24	011-901721	VENT UMBRELLA TYPE 1/4 MNPT	1
25	005-906944	GAUGE LO-PRESS 0-32IN WC PNL 2-1/2IN	1

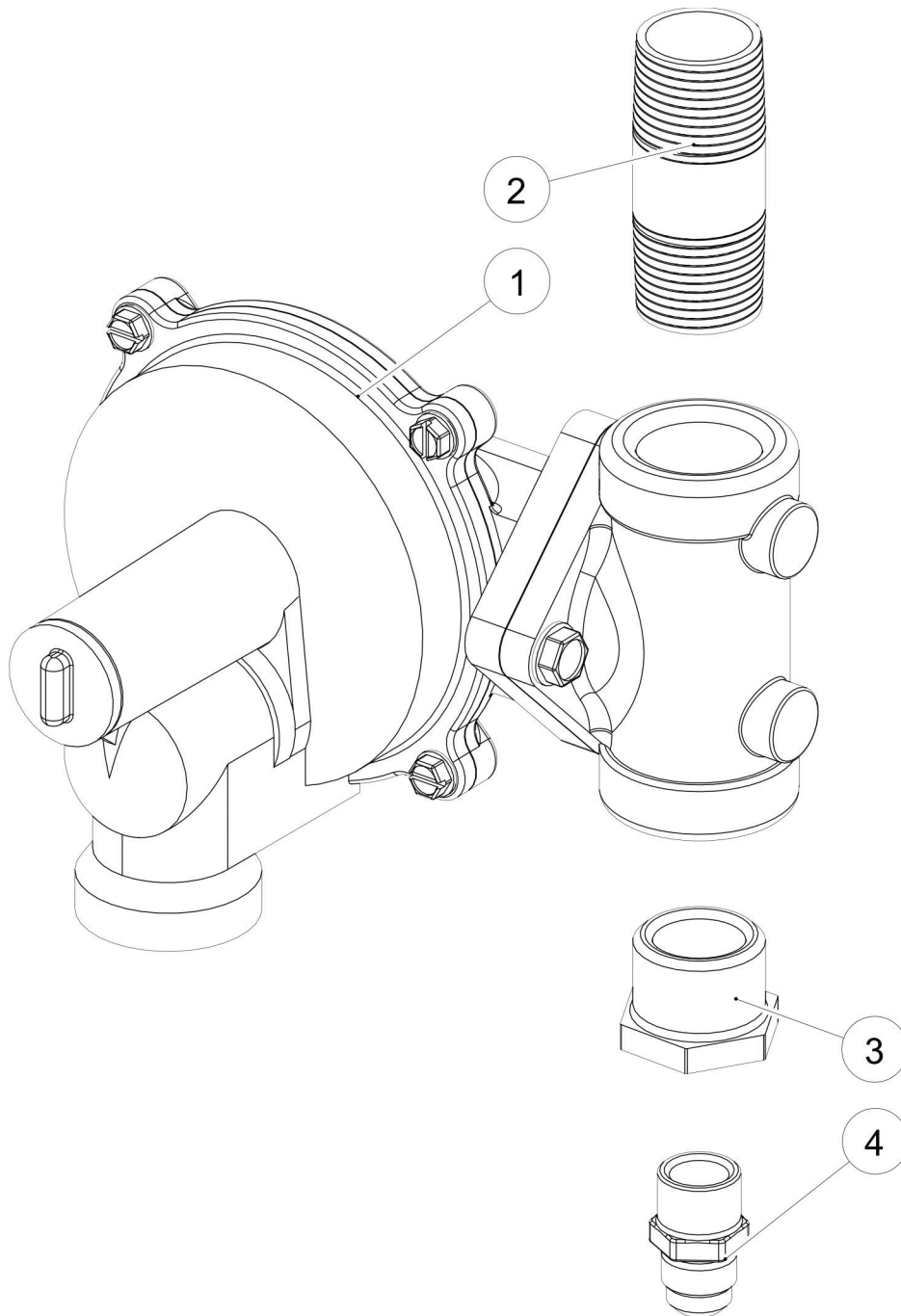




**Central Heating Unit
2100-DG-0900 Series
Gas Train**

S/N: 20526 -
S/N: Current
PAGE: 2.1.32

Item No.	Part No.	Description	Qty.
1	006-901787	ACTUATOR 120 VOLTS V4062A-1131 RIELLO 40-G900	1
2	006-901788	VLV SAFETY GAS V48A2169 RIELLO 40-G900	1
3	005-704155	RGLTR GAS 1 MAX RV61 RIELLO 40-G750	1
4	006-901786	VLV BODY V5055B-1002 RIELLO 40-G900	1
5	011-703824	NIPL 1/4X1(CL) BRS NPT	4
6	011-902577	TEE 1/4 BRS	1
7	011-902576	VLV BALL 1/4 400WOG STD BRS CGA NPTF	2
8	011-703794	CAP PIPE 1/4 BRS NPT	2
9	011-703796	NIPL 1/4X2 BRS NPT	2
10	011-700081	NIPL 1X3 BLK PIPE CL125 NPT	2
11	011-900908	NIPL 1/8XCL BRS NPT	1
12	011-703791	ELB 1/8X90DEG BRS NPT	1
13	011-703795	NIPL 1/8X2 BRS NPT	1
14	006-901785	SW HGP HONEYWELL C6097B 1028 OR DUNGS GMH-A4-4-4	1
15	006-901784	SW LGP HONEYWELL C6097A 1012/DUNG GML-A4-4-4	1
16	011-701078	CPRSN FTG ELB 1/4TX1/8 90DEG MPT	2
17	011-901715	CPRSN TEE 1/4 TUBE	1
18	014-700458	PIPE SOFT COP 1/4ODX.03W ASTM B280	8FT

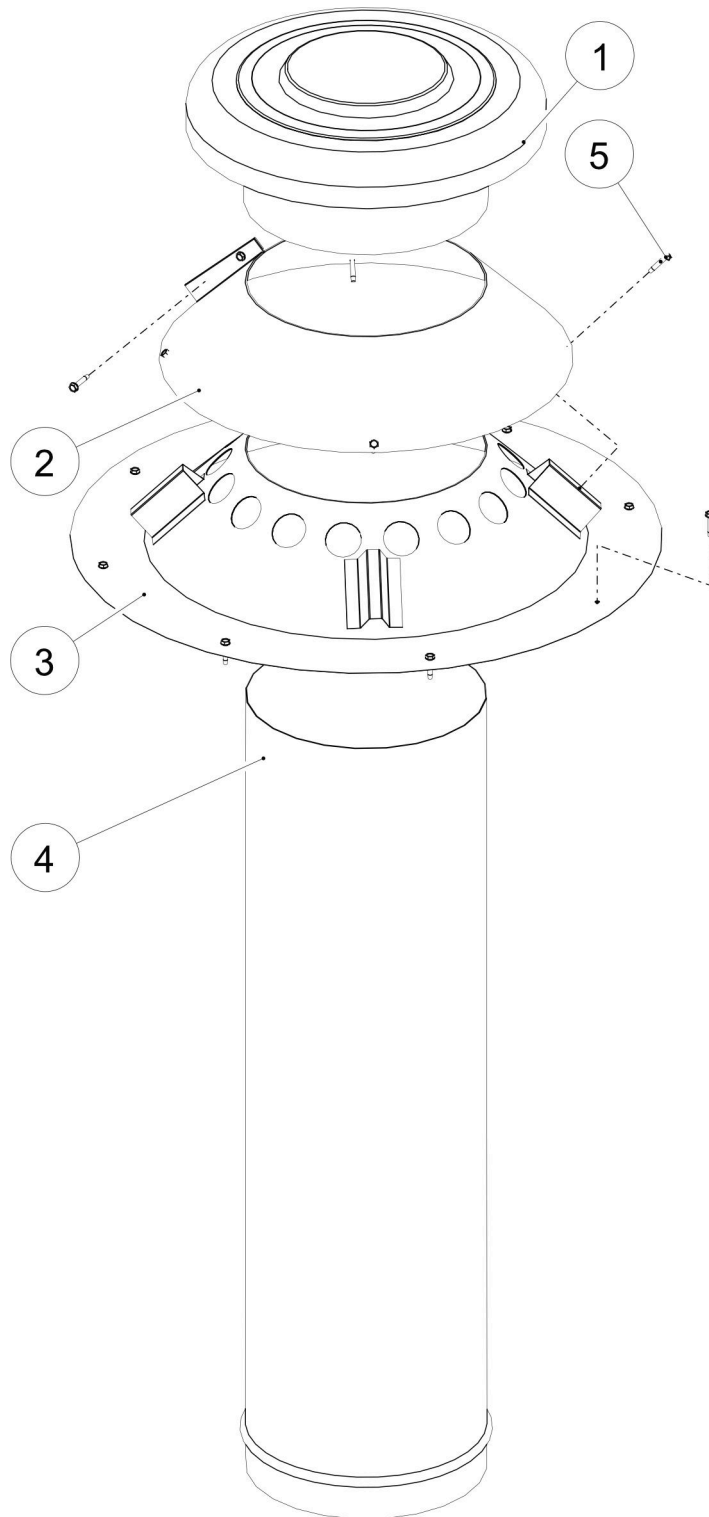




**Central Heating Unit
2100-DG-0900 Series
Propane Regulator**

S/N: 20526 -
S/N: Current
PAGE: 2.1.34

Item No.	Part No.	Description	Qty.
1	005-701409	RGLTR PN NPT 10PSI 4-16WC SPR RNG ADJ	1
2	011-703171	NIPL 1X3 BRS NPT	1
3	011-701770	BSHG RDCG 1X1/2 BRS MXF NPT	1
4	011-701769	ADPTR BRS 1/2NPTX1/2SAE 45DEG FLARE	1

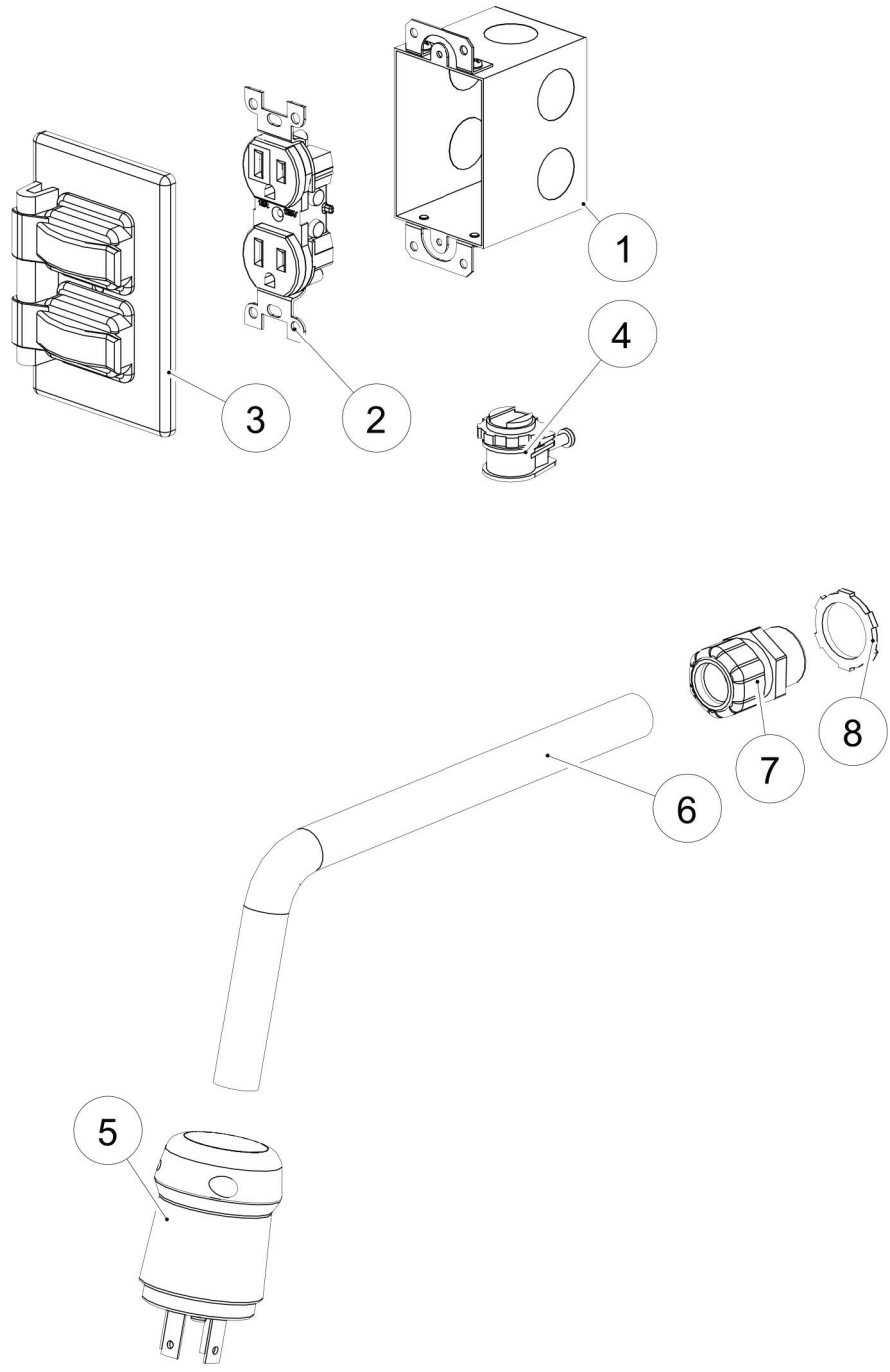




**Central Heating Unit
2100-DG-0900 Series
Chimney**

S/N: 20526 -
S/N: Current
PAGE: 2.1.36

Item No.	Part No.	Description	Qty.
1	004-702518	CHMNY CAP 10IN CHINA GALV	1
	004-903587	CHMNY CAP 10IN SS	1
2	004-702571	STORM COLLAR 10IN MOD 2100	1
	004-903590	STORM COLLAR 10IN SS	1
3	004-702658	FLSHG ROOF VENT 10IN MOD 2100	1
	004-903589	FLSHG ROOF VENT 10IN SS	1
4	004-702516	CHMNY PIPE 10X36 LONG 24 GA SNAP LOCK	1
	004-903588	CHMNY PIPE 10X36L 24GA SNAP LOCK SS	1
5	001-700629	SCRW D/T 10-16X3/4 5/16HEX HD PLD	14

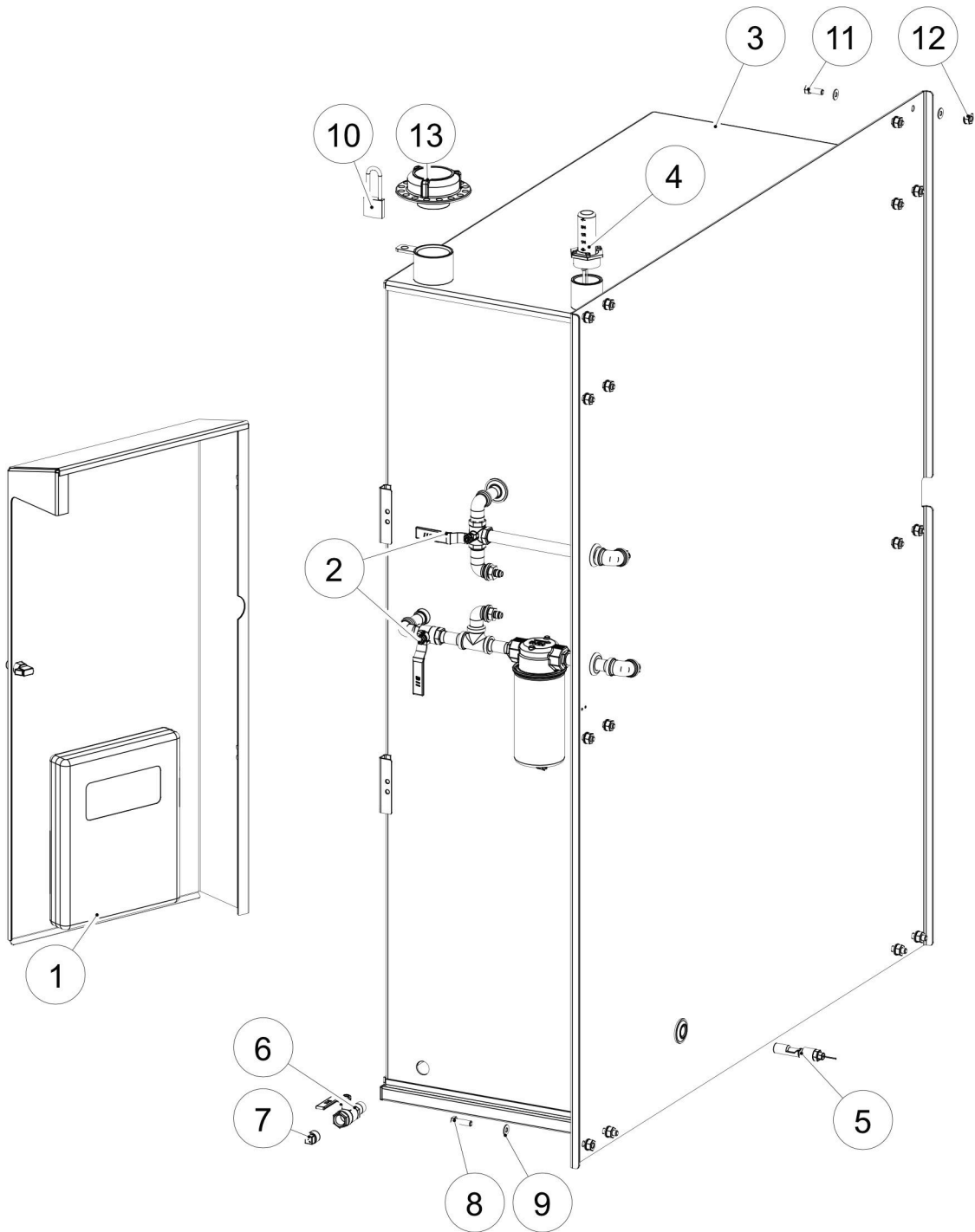




**Central Heating Unit
2100-DG-0900 Series
Electrical**

S/N: 20526 -
S/N: Current
PAGE: 2.1.38

Item No.	Part No.	Description	Qty.
1	002-701414	BOX RCPT #425	1
2	002-800037	RCPT DX 15A 120V	1
3	002-701415	CVR RCPT W/P	1
4	002-800026	CONNECTOR 3/8 BX/MND/FLEX	1
5	002-701266	PLUG 1P4W 30A 125/250V M END TWLCK	1
6	002-700418	CABLE SOW10/4	3.5FT
7	002-700046	CONNECTOR STRN/RLF 3/4 .625-.750 CABLE RNG	1
8	002-701133	LOCKNUT 3/4 STL CONDUIT	1
		The following components may not be shown	
	002-905103	BOOT COVER LKG PLUG 20/30 AMP THERM PLSTC	1

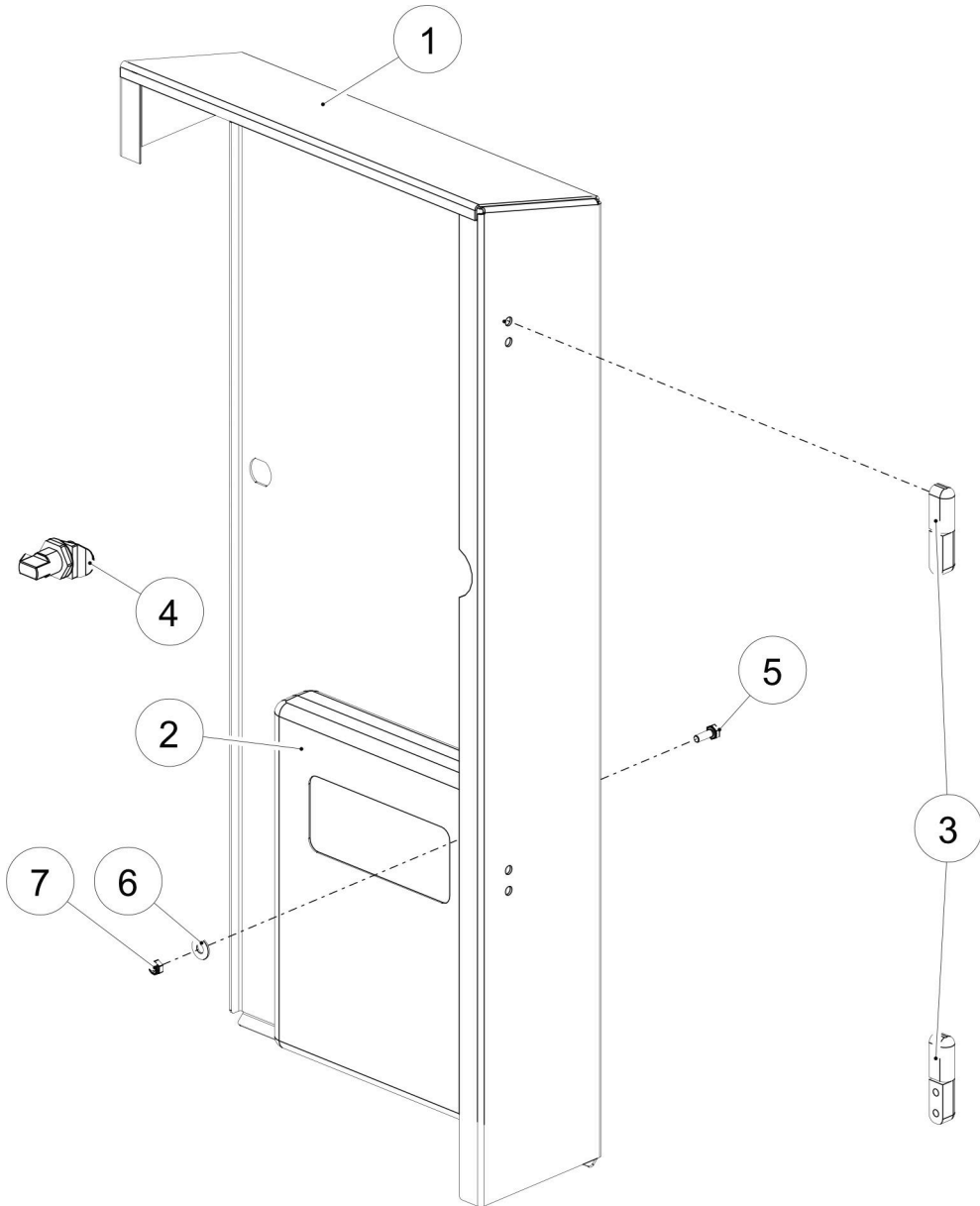




**Central Heating Unit
2100-DG-0900 Series
Fuel Tank**

S/N: 20526 -
S/N: Current
PAGE: 3.1.2

Item No.	Part No.	Description	Qty.
1		FUEL DOOR - see page 3.1.3	
2		FUEL PLUMBING - see page 3.1.5	
3	010-702699	TANK DSL/FUEL OIL MOD 2100-0900 R03	1
	004-903614	TANK DSL/FUEL OIL MOD 2100-0900 PNTD BLUE	1
4	012-702576	GAUGE MECH FLOAT 53IN 1-1/2 NPT	1
5	002-702012	SW-FLOAT FSH-31	1
6	011-700115	VLV BALL 1/2 400WOG STD BRS CGA NPTF	1
7	011-702702	PLUG BRS 1/2 NPT SQ HD	1
8	001-700960	BOLT 3/8X1-1/4 PLD GR5	4
9	001-700742	WSHR FLT 5/16 PLD	32
10	001-900913	LOCK LONG SHANK (SAME KEY AS 001-702054)	1
11	001-700804	BOLT 3/8X1 PLD GR5	12
12	001-700721	NUT LKG NYL 3/8 UNC PLD	16
13	011-703500	CAP 2IN MPT NON-SPILL PRESS/VAC RLF GALV	1
		The following components may not be shown	
	006-901802	PKG GAUGE LVL GLASS(KRUGER SENTRY)	1

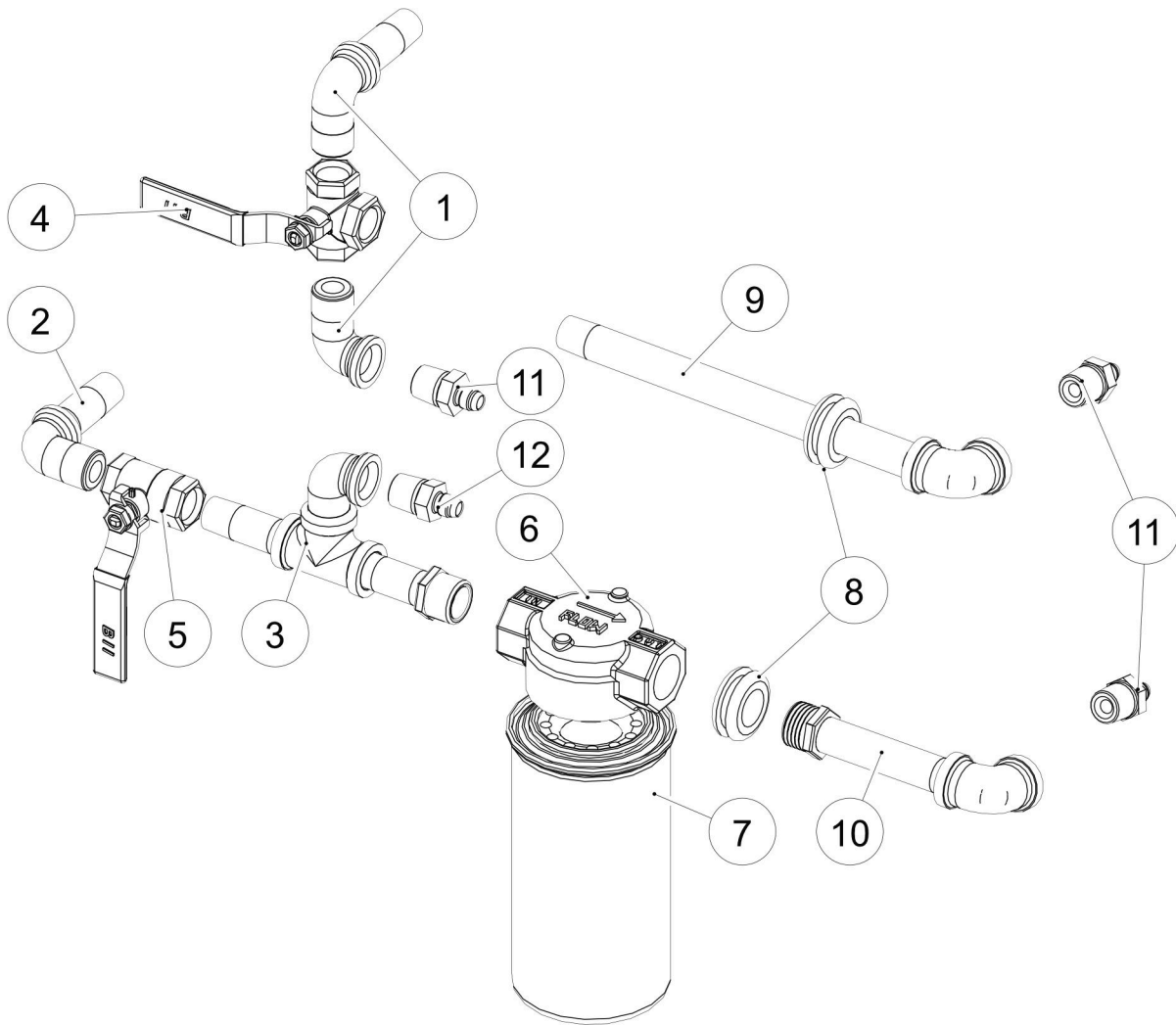




**Central Heating Unit
2100-DG-0900 Series
Fuel Door**

S/N: 20526 -
S/N: Current
PAGE: 3.1.4

Item No.	Part No.	Description	Qty.
1	004-703009	DOOR FUEL TANK COV MOD 2100	1
	004-903613	DOOR FUEL TANK COV MOD 2100 PNTD BLUE	1
2	016-702616	CASE OPR MNL MANUAL-PAK	1
3	001-900212	HINGE BLOCK C/W 6X10mm HX BOLT FEMALE	2
4	001-702586	LOCK PUSH NYLON KEYLOCK IN-LINE PULL TAB	1
5	001-701482	BOLT 1/4X3/4 PLD GR5	4
6	001-700129	WSHR FLT 1/4 PLD	4
7	001-700042	NUT LKG NYL 1/4 UNC PLD	4
		The following components may not be shown	
	006-904755	KEY CH751 T-LKG HNDL CHROME 4IN	1





**Central Heating Unit
2100-DG-0900 Series
Fuel Plumbing**

S/N: 20526 -
S/N: Current
PAGE: 3.1.6

Item No.	Part No.	Description	Qty.
1	018-702623	PKG PLMB FUEL RTN TO TANK MOD 2100 R01	1
2	018-900486	PKG PLMB FUEL SPLY TO VLV MOD 2100	1
3	018-702621	PKG PLMB FUEL SPLY TO FLTR MOD 2100	1
4	011-702594	VLV 1/2 3-WAY BRS	1
5	011-700115	VLV BALL 1/2 400WOG STD BRS CGA NPTF	1
6	012-702587	ADPTR FUEL FILTER MTG AL	1
7	012-702588	FILTER FUEL OIL PART/WTR COMB	1
8	009-702595	GROM 7/8X1-5/8 RBR PIPE 1/2	2
9	018-702624	PKG PLMB FUEL RTN TO VLV MOD 2100	1
10	018-702622	PKG PLMB FUEL SPLY FROM FLTR MOD 2100 R03	1
11	011-702625	ADPTR 1/2 NPT X #6JIC 37DEG FLARE	3
12	011-704796	ADPTR BRS 1/2NPTX#4 37DEG FLARE	1



**Central Heating Unit
2100-DG-0900 Series
Hoses and Fuel Lines**

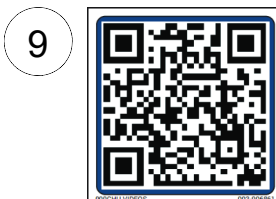
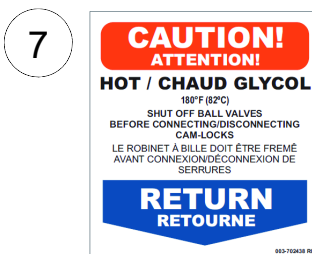
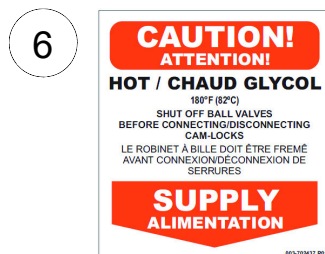
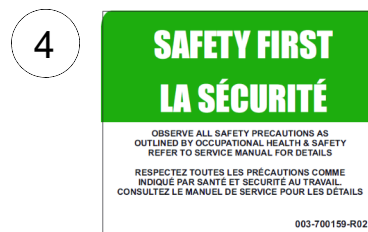
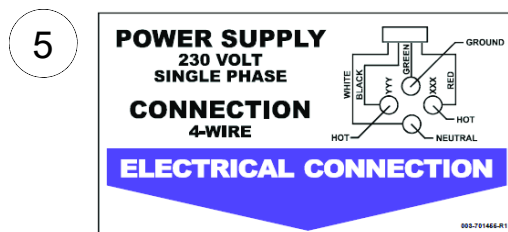
S/N: 20526 -
S/N: Current
PAGE: 4.1.1

Item No.	Part No.	Description	Qty.
		PUMP INLET	
1	013-700267	HOSE 2 VERSIFLO CW WIRE HELIX	25IN
		PUMP OUTLET	
2	013-700267	HOSE 2 VERSIFLO CW WIRE HELIX	8IN
		DANFOSS TO SUPPLY PLUMBING	
3	013-702636	HOSE 1 RED	8IN
		HEAT EXCHANGER TO GLYCOL PREHEATER	
4	013-702636	HOSE 1 RED	40IN
		PRV TO RETURN PLUMBING	
5	013-702635	HOSE 3/4 RED	14IN
		GLYCOL TANK TO OVERFLOW PLUMBING	
6	013-702635	HOSE 3/4 RED	48IN
		DANFOSS TO AIR PREHEATER	
7	013-702633	HOSE 3/8 RED	26IN
		DANFOSS TO FUEL PREHEATER	
8	013-702633	HOSE 3/8 RED	75IN
		AIR PREHEATER TO RETURN PLUMBING	
9	013-702633	HOSE 3/8 RED	75IN
		FUEL PREHEATER TO RETURN PLUMBING	
10	013-702633	HOSE 3/8 RED	40IN
		GLYCOL TANK TO SUPPLY PLUMBING	
11	013-702634	HOSE 1/2 RED	12IN
		FUEL LINES	
12	004-704661	FUEL LINE 1/4X10IN #6/#4JICF 37DEG STR SWVL	1
13	004-704662	FUEL LINE 1/4X43IN #6/#6JICF 37DEG STR SWV	2
14	004-704663	FUEL LINE 1/4X49IN #6/#6JICF 37DEG STR SWV	1



Central Heating Unit
2100-DG-0900 Series
Exterior Decals

S/N: 20526 -
S/N: Current
PAGE: 5.1.1



Item No.	Part No.	Description	Qty.
1	003-700057	DECAL DRYAIR 20X3.35 05 BLUE VINYL R1	2
2	003-701195	DECAL DRYAIR 12X2 05 BLUE VINYL R1	2
3	003-702655	DECAL HEAT THAW CURE DRY 28X1.79	2
4	003-701455	DECAL ELEC 4WIRE HOOKUP	1
5	003-700159	DECAL SAFETY FIRST	1
6	003-702437	DECAL CAUTION SPLY HOT GLY MOD 2100	1
7	003-702438	DECAL CAUTION RETURN HOT GLY MOD 2100	1
8A	003-906738	DECAL QR OP MAN 600-900 CHU DIESEL	1
8B	003-906737	DECAL QR OP MAN 600-900 CHU TRI FUEL	1
9	003-906861	DECAL QR VIDEOS 900CHU	1



Central Heating Unit 2100-DG-0900 Series Exterior Decals

S/N: 20526 -

S/N: Current

PAGE: 5.1.2

1

CAUTION! / ATTENTION!

WHEN THE SYSTEM IS OPERATING

1) ALL CABINET AND WATER HEATER DOOR PANELS MUST BE PLACED

2) THE CABINET PANEL AIR INTAKES MUST NOT BE BLOCKED

FAILURE TO FOLLOW THE ABOVE INSTRUCTIONS MAY RESULT IN IMPROPER COMBUSTION AND MAY EVENTUALLY CAUSE WATER HEATER DAMAGE.

DOOR PANELS MUST BE LOCKED WHEN TRANSPORTING

LORSQUE LE SYSTÈME FONCTIONNE

1) TOUTS LES PANNEAUX DE PORTE ET DE CHAUFFE-EAU DOIVENT ÊTRE EN PLACE

2) LES PRISES D'AIR SUR LE PANNEAU DE L'ARMOIRE NE DOIVENT PAS ÊTRE BLOQUÉES

LE NON-RESPECT DES INSTRUCTIONS CI-DESSUS PEUT ENTRAVER LA COMBUSTION ADÉQUATE ET ÉVENTUELLEMENT CAUSER DES DOMMAGES AU CHAUFFE-EAU

LES PANNEAUX DE PORTE DOIVENT ÊTRE VERROILLÉS LORS DU TRANSPORT

003-701447

2

ATTENTION!

COUPLE FUEL LINES TOGETHER WHEN DISCONNECTED FROM DIESEL/LIGHT OIL BURNER

003-703771

3

HEAT TRANSFER FLUID LEVEL

SAFE OPERATING RANGE BETWEEN 1/4 and 3/4 ON THE LEVEL GAUGE

CHECK FLUID LEVELS DAILY

USE ONLY APPROVED ANTIFREEZE (HTF) / WATER MIXTURE

NIVEAU DE FLUIDE CALOPORTEUR

GAMME DE FONCTIONNEMENT SÛRE ENTRE 1/4 ET 3/4 SUR LA JAUGE DE NIVEAU

VÉRIFIEZ LES NIVEAUX DE FLUIDE QUOTIDIENNEMENT

UTILISEZ MÉLANGE D'ANTIGEL FLUIDE CALOPORTEUR/D'EAU

003-701454-003

4

CAUTION! / ATTENTION!

DO NOT BLOCK THIS OUTLET

THIS OUTLET SERVES AS THE CIRCULATION SYSTEM FLUID RESERVOIR VENT AND OVERFLOW

BLOCKING THE OUTLET WOULD CAUSE UNDESIRABLE CIRCULATION SYSTEM PRESSURE BUILDUP RESULTING IN WATER HEATER SHUT-DOWN

NE BLOQUEZ PAS CETTE SORTIE

CETTE SORTIE SERT D'ÉVÉNEMENT DU DÉBORDEMENT DU RÉSERVOIR À FLUIDE DE SYSTÈME DE CIRCULATION

LE BLOQUAGE DE LA SORTIE PEUT CAUSER UNE ACCUMULATION DE PRESSION DU SYSTÈME DE CIRCULATION INDÉSIRABLE RESULTANT EN ARRÊT DE CHAUFFE-EAU

003-701456-003

5

ATTENTION!

DO NOT BLOCK REGULATOR VENT OUTLET

REGULATORS VENTS MUST BE TERMINATED IN ACCORDANCE WITH THE REQUIREMENTS OF THE LOCAL AUTHORITY HAVING JURISDICTION PRIOR TO THE OPERATION OF THIS APPLIANCE

NE PAS BLOQUER RÉGULATEUR SORTIE DE VENTILATION

BOUCHES RÉGULATEUR DOIT ÊTRE TERMINÉ, CONFORMÉMENT AUX EXIGENCES DE LA JURISDICTION AVANT DES COLLECTIVITÉS LOCALES AVANT LE FONCTIONNEMENT DE CET APPAREIL

003-703148-001

6

ATTENTION!

This unit is designed for use as a NON-PRESSURE VESSEL.

The unit includes an open atmosphere vented expansion tank.

The expansion tank is integrally connected to the heat exchange section of the water heater by means of a permanently open line (no valves).

The heat exchange section connects to the inlet side of the circulating pump and therefore only neutral atmospheric pressure is present within the heat exchange section.

The pressure relief valve that is installed on the heat exchange section functions only as a secondary level of safety in the event that the tank vent becomes blocked.

Cet appareil est conçu pour une utilisation comme un navire sans pression

L'appareil inclut un ouvert réservoir d'expansion atmosphérique ventilé.

Le réservoir d'expansion est relié au réservoir à fluide au moyen d'une ligne ouverte et permanente (pas de valves).

La section d'échange de chaleur se connecte à la case d'entrée de la pompe à circulation et donc, seulement la pression atmosphérique neutre est présente à l'intérieur de la section d'échange de chaleur.

La soupape de décompression installée sur la section d'échange de chaleur fonctionne seulement comme un niveau de sécurité secondaire dans le cas où l'événement du réservoir devient bloqué.

003-902610

7

ATTENTION!

This unit is Certified to CSA & UL Standards for use as a NON-PRESSURE VESSEL.

The unit includes an open atmosphere vented expansion tank.

The expansion tank is integrally connected to the heat exchange section of the water heater by means of a permanently open line (no valves).

The heat exchange section connects to the inlet side of the circulating pump and therefore only neutral atmospheric pressure is present within the heat exchange section.

The pressure relief valve that is installed on the heat exchange section functions only as a secondary level of safety in the event that the tank vent becomes blocked.

Cet appareil est certifié aux normes de CSA et UL pour l'utilisation comme un NAVIRE SANS PRESSION

L'appareil inclut un ouvert réservoir d'expansion atmosphérique ventilé.

Le réservoir d'expansion est relié au réservoir à fluide au moyen d'une ligne ouverte et permanente (pas de valves).

La section d'échange de chaleur se connecte à la case d'entrée de la pompe à circulation et donc, seulement la pression atmosphérique neutre est présente à l'intérieur de la section d'échange de chaleur.

La soupape de décompression installée sur la section d'échange de chaleur fonctionne seulement comme un niveau de sécurité secondaire dans le cas où l'événement du réservoir devient bloqué.

003-703736R2

8

PROPYLENE GLYCOL HEAT TRANSFER FLUID

DO NOT MIX WITH WATER

- DO NOT DILUTE
- DO NOT DRAIN
- DO NOT REUSE
- DO NOT RECYCLE
- DO NOT DISPOSE
- DO NOT SPILL
- DO NOT CONTAMINATE
- DO NOT MIX
- DO NOT TOUCH
- DO NOT INHALE
- DO NOT SWALLOW
- DO NOT GET IN EYES
- DO NOT GET ON SKIN
- DO NOT GET ON CLOTHING
- DO NOT GET ON FUR
- DO NOT GET ON HAIR
- DO NOT GET ON NECK
- DO NOT GET ON HANDS
- DO NOT GET ON FEET
- DO NOT GET ON SHOES
- DO NOT GET ON CARPET
- DO NOT GET ON FLOOR
- DO NOT GET ON WALLS
- DO NOT GET ON CEILING
- DO NOT GET ON LIGHTS
- DO NOT GET ON ELECTRICS
- DO NOT GET ON PLANTS
- DO NOT GET ON ANIMALS
- DO NOT GET ON CHILDREN
- DO NOT GET ON PETS
- DO NOT GET ON PEOPLE

UNIVERSAL SOLUTIONS (DOW/PURITY)
1-800-345-4444 | 1-800-945-8488
www.universalsolutions.com

8085 LITER/220 GALLONS
1-800-345-4444 | 1-800-945-8488
www.universalsolutions.com

9

ATTENTION!

REMOVE SHIPPING PLUG FROM GLYCOL RESERVOIR OVERFLOW/VENT OUTLET BEFORE FIRING WATER HEATER.

CALL 1-888-750-1700 IF ASSISTANCE IS REQUIRED

RETIRER EXPÉDITION FICHE DE GLYCOL RÉSERVOIR L'ORIFICE DE DÉBORDEMENT/SORTIE COUDE AVANT CUISON CHAUFFE-EAU.

APPEL 1-888-750-1700 SI ASSISTANCE EST EXIGÉE.

10

GLYCOL/WATER GLYCOL/EAU GLYCOL/WATER GLYCOL/EAU

003-701118-002

11

DIESEL FUEL ONLY

DIESEL SEULEMENT

This appliance is rated for #1 or #2 light oil/diesel

Cet appareil est classé pour #1 et #2 pétrole léger/diesel

003-702435

12

TANK MUST BE EMPTIED BEFORE TRANSPORT WITHIN CANADA

003-904737

Item No.	Part No.	Description	Qty.
1	003-701447	DECAL CAUTION KEEP PANELS	3
2	003-703771	DECAL CONN FUEL LINES MOD2100-DG	1
3	003-701454	DECAL HTF FLUID LEVELS	1
4	003-701456	DECAL VENT/OVERFLOW	1
5	003-703148	DECAL RGLTR VENT INSTR PN	1
6	003-902610	DECAL NON CERTIFIED-PRESS VESSEL 4.50X4.50	1
7	003-703735	DECAL NON-PRESS VESSEL 4X4.5	1
8	003-906384	DECAL GLYCOL SAFETY	1
9	003-703263	DECAL ATTN REMOVE SHPNG PLUG	1
10	003-701118	DECAL GLY/WTR STRIP R01	1
11	003-702435	DECAL DSL ONLY MOD 2100 DSL	1
12	003-904737	DECAL TANK MUST BE EMPTIED	1



Central Heating Unit 2100-DG-0900 Series Interior Decals

S/N: 20526 -
S/N: Current
PAGE: 5.1.3

1

NORMAL OPERATING POSITION
- Valve position for normal system operation
- Will return warm fuel to fuel supply line

PURGING POSITION
- Valve position for returning fuel to tank
- Used to purge air from fuel system

POSITION DE FONCTIONNEMENT NORMALE
- Position de valve pour fonctionnement de système normal
- Réajuster carburant chaud dans la ligne d'alimentation de carburant

POSITION DE PURGE
- Position de valve pour retourner le carburant au réservoir
- Utilisé pour purger l'air de système de carburant

2 LIGHT OIL/DIESEL
PÉTROLE LÉGER/DIESEL

3 PARTICULATE & WATER BLOCK FILTER
REMOVES FOREIGN DEBRIS & WATER FROM FUEL

4 NOTE
FUEL FILTER AND OPERATOR'S MANUALS ARE LOCATED BEHIND THIS SHIELD

5 TROUBLESHOOTING
INDICATOR LIGHTS

* There are 8 green lights on the control panel which indicate the status of a sequence of functions while the unit is running.
* When burner is on, all green lights should be on as well. Any light which is not illuminated is considered a fault.
* Adjust and burner light off and on as the burner cycles.
* The terminal strip located behind the control panel, must be accessed to initiate troubleshooting procedures.

No power at outgoing side of water heater toggle switch
Check for 120 volt power between letter N and R1 on the terminal strip. If there is no power, check the following:
a) Check that the water heater toggle switch has not been switched off.
b) Check that the water heater toggle switch has not been turned off.
c) Check for power in front of breaker and toggle switch.
d) Check that correct power supply has been connected to the unit.
e) Check for correct wiring to the unit. (110-120V, 50/60 Hz, single phase, 4-conductor, 0-100 -10 AWG, max 100' - 8 AWG)

No power at terminal R1 on low water cut off
Check for 120 volt power between letter R1 and R2 on the terminal strip. If there is no power, check the following:
a) Check for power between letter R1 and R2 on the terminal strip. If power, check for correct wiring to the unit.
b) Check for correct wiring to the unit. (110-120V, 50/60 Hz, single phase, 4-conductor, 0-100 -10 AWG, max 100' - 8 AWG)

No power at flow switch
Check for 120 volt power between letter N and R5 on the terminal strip. If there is no power, check the following:
a) Check for power between letter N and R5 on the terminal strip. If power, check for correct wiring to the unit.
b) Check for correct wiring to the unit. (110-120V, 50/60 Hz, single phase, 4-conductor, 0-100 -10 AWG, max 100' - 8 AWG)

No power at outgoing side of high limit switches
Check for 120 volt power between letter N and R6 on the terminal strip. If there is no power, check the following:
a) Check for power between letter N and R6 on the terminal strip. If power, check for correct wiring to the unit.
b) Check for correct wiring to the unit. (110-120V, 50/60 Hz, single phase, 4-conductor, 0-100 -10 AWG, max 100' - 8 AWG)

No power at aquastat
Check for 120 volt power between letter N and R7 on the terminal strip. If there is no power, check the following:
a) Check for power between letter N and R7 on the terminal strip. If power, check for correct wiring to the unit.
b) Check for correct wiring to the unit. (110-120V, 50/60 Hz, single phase, 4-conductor, 0-100 -10 AWG, max 100' - 8 AWG)

Burner light and aquastat lights work in series. If burner does not start, green reset button on burner. Check for correct pressure during purging. If no pressure, switch 120v valve and purge. If no pressure, check for correct wiring to the burner. If no pressure, check for correct wiring to the burner.

FOR ADDITIONAL ASSISTANCE, CALL (1-888) 750-1700

6 DÉPANNAGE
TÉMOIN SALLUME

* Il y a 8 lampes vertes sur le panneau de commandes, qui indiquent état d'une séquence de fonctions tandis que l'appareil fonctionne.
* Lorsque le brûleur est allumé, toutes les lampes vertes doivent être allumées aussi. Toute la lampe qui ne se trouve pas allumée, est un problème.
* Le terminal électrique est situé derrière le panneau de commandes, doit être utilisé pour initier les procédures de dépannage.

Aucune alimentation à côté sortant d'interrupteur à bascule de chauffe-eau
Vérifiez s'il y a 120 volts de puissance entre la lettre N et R1 sur la bande de raccordement. S'il n'y a pas de puissance, vérifiez les points suivants:
a) Vérifiez que l'interrupteur à bascule de chauffe-eau n'a pas été éteint.
b) Vérifiez que le coupe-circuit n'a pas été éteint.
c) Vérifiez que l'alimentation électrique correcte a été connectée à l'appareil. (110-120V, 50/60 Hz, simple phase, 4-conducteur, 0-100 -10 AWG, max 100' - 8 AWG)

Aucune alimentation à terminal R1
Vérifiez s'il y a 120 volts de puissance entre la lettre R1 et R2 sur la bande de raccordement. S'il n'y a pas de puissance, vérifiez les points suivants:
a) Vérifiez que le coupe-circuit n'a pas été éteint.
b) Vérifiez que l'alimentation électrique correcte a été connectée à l'appareil. (110-120V, 50/60 Hz, simple phase, 4-conducteur, 0-100 -10 AWG, max 100' - 8 AWG)

Aucune alimentation au commutateur de flux
Vérifiez s'il y a 110 volts de puissance entre la lettre N et R5 sur la bande de raccordement. S'il n'y a pas de puissance, vérifiez les points suivants:
a) Vérifiez que le commutateur de flux n'a pas été éteint.
b) Vérifiez que l'alimentation électrique correcte a été connectée à l'appareil. (110-120V, 50/60 Hz, simple phase, 4-conducteur, 0-100 -10 AWG, max 100' - 8 AWG)

Aucune alimentation à côté sortant de commutateurs de limite haute
Vérifiez s'il y a 110 volts de puissance entre la lettre N et R6 sur la bande de raccordement. S'il n'y a pas de puissance, vérifiez les points suivants:
a) Vérifiez que le commutateur de limite haute n'a pas été éteint.
b) Vérifiez que l'alimentation électrique correcte a été connectée à l'appareil. (110-120V, 50/60 Hz, simple phase, 4-conducteur, 0-100 -10 AWG, max 100' - 8 AWG)

Aucune alimentation à l'aquastat
Vérifiez s'il y a 110 volts de puissance entre la lettre N et R7 sur la bande de raccordement. S'il n'y a pas de puissance, vérifiez les points suivants:
a) Vérifiez que le commutateur de limite haute n'a pas été éteint.
b) Vérifiez que l'alimentation électrique correcte a été connectée à l'appareil. (110-120V, 50/60 Hz, simple phase, 4-conducteur, 0-100 -10 AWG, max 100' - 8 AWG)

FOR ADDITIONAL ASSISTANCE, APPELÉZ (888) 750-1700

7 TROUBLESHOOTING
INDICATOR LIGHTS

* There are 8 green lights on the control panel which indicate the status of a sequence of functions while the unit is running.
* When burner is on, all green lights should be on as well. Any light which is not illuminated is considered a fault.
* Adjust and burner light off and on as the burner cycles.
* The terminal strip located behind the control panel, must be accessed to initiate troubleshooting procedures.

No power at outgoing side of water heater toggle switch
Check for 120 volt power between letter N and R1 on the terminal strip. If there is no power, check the following:
a) Check that the water heater toggle switch has not been switched off.
b) Check that the water heater toggle switch has not been turned off.
c) Check for power in front of breaker and toggle switch.
d) Check that correct power supply has been connected to the unit.
e) Check for correct wiring to the unit. (110-120V, 50/60 Hz, single phase, 4-conductor, 0-100 -10 AWG, max 100' - 8 AWG)

No power at terminal R2
Check for 120 volt power between letter N and R2 on the terminal strip. If there is no power, check the following:
a) Check for power between letter N and R2 on the terminal strip. If power, check for correct wiring to the unit.
b) Check for correct wiring to the unit. (110-120V, 50/60 Hz, single phase, 4-conductor, 0-100 -10 AWG, max 100' - 8 AWG)

No power at flow switch
Check for 120 volt power between letter N and R5 on the terminal strip. If there is no power, check the following:
a) Check for power between letter N and R5 on the terminal strip. If power, check for correct wiring to the unit.
b) Check for correct wiring to the unit. (110-120V, 50/60 Hz, single phase, 4-conductor, 0-100 -10 AWG, max 100' - 8 AWG)

No power at outgoing side of high limit switches
Check for 120 volt power between letter N and R6 on the terminal strip. If there is no power, check the following:
a) Check for power between letter N and R6 on the terminal strip. If power, check for correct wiring to the unit.
b) Check for correct wiring to the unit. (110-120V, 50/60 Hz, single phase, 4-conductor, 0-100 -10 AWG, max 100' - 8 AWG)

No power at aquastat
Check for 120 volt power between letter N and R7 on the terminal strip. If there is no power, check the following:
a) Check for power between letter N and R7 on the terminal strip. If power, check for correct wiring to the unit.
b) Check for correct wiring to the unit. (110-120V, 50/60 Hz, single phase, 4-conductor, 0-100 -10 AWG, max 100' - 8 AWG)

FOR ADDITIONAL ASSISTANCE, CALL (1-888) 750-1700

8 DÉPANNAGE
TÉMOIN SALLUME

* Il y a 8 lampes vertes sur le panneau de commandes, qui indiquent état d'une séquence de fonctions tandis que l'appareil fonctionne.
* Lorsque le brûleur est allumé, toutes les lampes vertes doivent être allumées aussi. Toute la lampe qui ne se trouve pas allumée, est un problème.
* Le terminal électrique est situé derrière le panneau de commandes, doit être utilisé pour initier les procédures de dépannage.

Aucune alimentation à côté sortant d'interrupteur à bascule de chauffe-eau
Vérifiez s'il y a 120 volts de puissance entre la lettre N et R1 sur la bande de raccordement. S'il n'y a pas de puissance, vérifiez les points suivants:
a) Vérifiez que l'interrupteur à bascule de chauffe-eau n'a pas été éteint.
b) Vérifiez que le coupe-circuit n'a pas été éteint.
c) Vérifiez que l'alimentation électrique correcte a été connectée à l'appareil. (110-120V, 50/60 Hz, simple phase, 4-conducteur, 0-100 -10 AWG, max 100' - 8 AWG)

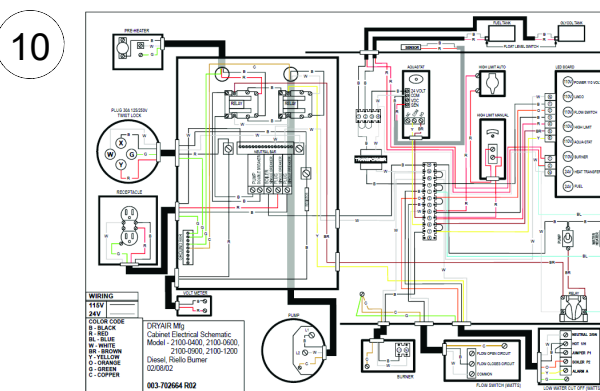
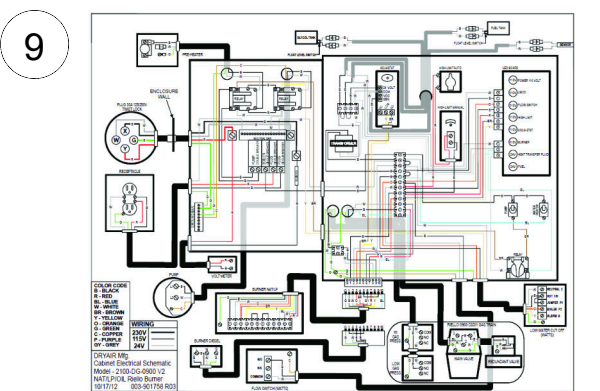
Aucune alimentation à terminal R2
Vérifiez s'il y a 120 volts de puissance entre la lettre R2 et R3 sur la bande de raccordement. S'il n'y a pas de puissance, vérifiez les points suivants:
a) Vérifiez que le coupe-circuit n'a pas été éteint.
b) Vérifiez que l'alimentation électrique correcte a été connectée à l'appareil. (110-120V, 50/60 Hz, simple phase, 4-conducteur, 0-100 -10 AWG, max 100' - 8 AWG)

Aucune alimentation au commutateur de flux
Vérifiez s'il y a 110 volts de puissance entre la lettre N et R5 sur la bande de raccordement. S'il n'y a pas de puissance, vérifiez les points suivants:
a) Vérifiez que le commutateur de flux n'a pas été éteint.
b) Vérifiez que l'alimentation électrique correcte a été connectée à l'appareil. (110-120V, 50/60 Hz, simple phase, 4-conducteur, 0-100 -10 AWG, max 100' - 8 AWG)

Aucune alimentation à côté sortant de commutateurs de limite haute
Vérifiez s'il y a 110 volts de puissance entre la lettre N et R6 sur la bande de raccordement. S'il n'y a pas de puissance, vérifiez les points suivants:
a) Vérifiez que le commutateur de limite haute n'a pas été éteint.
b) Vérifiez que l'alimentation électrique correcte a été connectée à l'appareil. (110-120V, 50/60 Hz, simple phase, 4-conducteur, 0-100 -10 AWG, max 100' - 8 AWG)

Aucune alimentation à l'aquastat
Vérifiez s'il y a 110 volts de puissance entre la lettre N et R7 sur la bande de raccordement. S'il n'y a pas de puissance, vérifiez les points suivants:
a) Vérifiez que le commutateur de limite haute n'a pas été éteint.
b) Vérifiez que l'alimentation électrique correcte a été connectée à l'appareil. (110-120V, 50/60 Hz, simple phase, 4-conducteur, 0-100 -10 AWG, max 100' - 8 AWG)

FOR ADDITIONAL ASSISTANCE, APPELÉZ (888) 750-1700

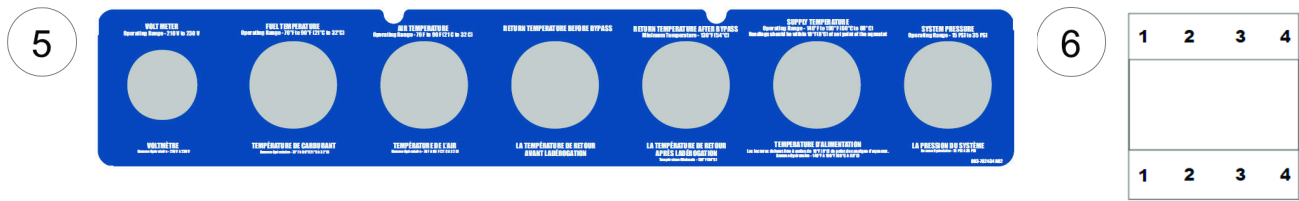
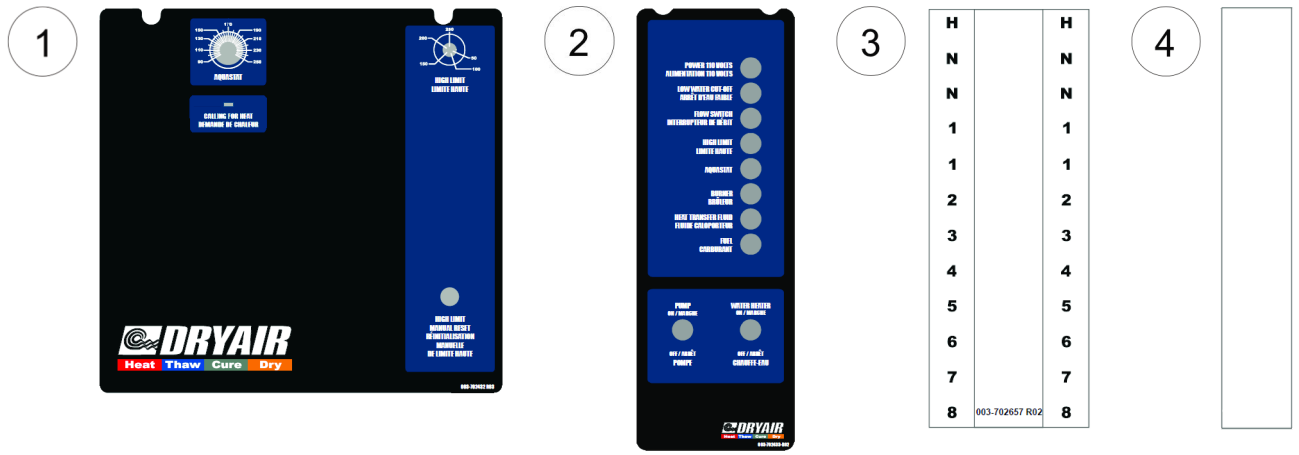


Item No.	Part No.	Description	Qty.
1	003-702888	DECAL 3-WAY FUEL VLV MOD 2100	1
2	003-702436	DECAL STRIP DSL/LIGHT OIL MOD 2100	1
3	003-702430	DECAL FUEL/WATER FLTR MOD 2100	1
4	003-702445	DECAL FUEL FLTR/OM LOCATION MOD 2100	1
5	003-903336	DECAL TROUBLESHOOTING MOD 2100 DG	1
6	003-903338	DECAL TROUBLESHOOTING MOD 2100 DG FR	1
7	003-702439	DECAL TROUBLESHOOTING DSL MOD 2100	1
8	003-902925	DECAL TROUBLESHOOTING DSL MOD 2100 FRENCH	1
9	003-901758	DECAL ELEC SCHEM MOD2100-DG-0900 V2	1
10	003-702664	DECAL ELEC SCHEM DSL MOD 2100	1



Central Heating Unit 2100-DG-0900 Series Interior Decals

S/N: 20526 -
S/N: Current
PAGE: 5.1.4



Item No.	Part No.	Description	Qty.
1	003-702432	DECAL INFO START-UP DAILY CHK LIST MOD 2100 DSL	1
2	003-702433	DECAL IND LIGHTS SW MOD 2100	1
3	003-702657	DECAL VINYL XTERM HNN11-8 R02	1
4	003-702656	DECAL VINYL XTERM 1-4 R01	1
5	003-702434	DECAL GAUGE PNL C/W INFO MOD 2100	1
6	003-702656	DECAL VINYL XTERM 1-4 R01	1
7	003-702431	DECAL BRKR IDENT MOD 2100 DSL	1
8	003-905289	DECAL BURNER LOCKOUT	1
9	003-700162	DECAL DNGR 220V	1
10	003-700172	DECAL DO NOT ADJ	4
11	003-702729	DECAL FUEL PRESS ARROW MOD 2100	1



Central Heating Unit 2100-DG-0900 Series Interior Decals

S/N: 20526 -
S/N: Current
PAGE: 5.1.5

1

FUEL TYPE: DIESEL/LIGHT OIL BURNER
See Operators Manual for Burner Installation and Removal Procedures
Burner may be used , 2100-D-0400, 2100-D-0600, 2100-DG-0600, on following models * 2100-D-0900, 2100-DG-0900

2

DIESEL/LIGHT OIL BURNER

3

FUEL TYPE: NATURAL GAS BURNER
See Operators Manual for Burner Installation and Removal Procedures
Burner may be used , 2100-G-0600, 2100-DG-0600, on following models * 2100-G-0900, 2100-DG-0900

4

NATURAL GAS BURNER

5

FUEL TYPE: PROPANE GAS BURNER
See Operators Manual for Burner Installation and Removal Procedures
Burner may be used , 2100-G-0600, 2100-DG-0600, on following models * 2100-G-0900, 2100-DG-0900

6

PROPANE GAS BURNER

7

FUEL SUPPLY

- CHECK MANUFACTURER'S DATA DECAL ON BURNER CHASSIS PLATE TO VERIFY FUEL FORMAT
- TO BE CONNECTED AND PERMITTED BY A LICENSED SUPPLIER OR GAS FITTER ONLY
- OBSERVE ALL PERMIT AND INSPECTION PROCESSES AS REQUIRED BY THE LOCAL AUTHORITY HAVING JURISDICTION

PROPANE GAS

- USE OF PROPANE GAS REQUIRES THE INSTALLATION OF A SECONDARY REGULATOR AT THIS GAS CONNECTION POINT
- SUPPLY 12 P.S.I. TO THE SECONDARY REGULATOR
- SUPPLY 11 INCHES W.C. TO THE GAS TRAIN REGULATOR
- PROPANE SYSTEMS REQUIRE THE USE OF A LIQUID LINE VAPORIZER

WARNING! OPERATING THE SYSTEM WITHOUT A LIQUID LINE VAPORIZER MAY RESULT IN IMPROPER FUEL COMBUSTION AND MAY EVENTUALLY CAUSE WATER HEATER DAMAGE

DANGER PROPANE VAPEUR ONLY!!

NATURAL GAS

- SUPPLY 14 INCHES W.C. TO THE GAS TRAIN REGULATOR
- IF PRESENT, THE SECONDARY GAS REGULATOR AT THIS GAS CONNECTION POINT MUST BE REMOVED FOR USE OF NATURAL GAS

RÉSERVE DE CARBURANT

- VÉRIFIER DONNÉES DECAL DU FABRICANT SUR LA PLAQUE BRÛLEUR CHASSIS POUR VÉRIFIER FORMAT DE CARBURANT
- À RACCORDER ET PERMET PAR UN FOURNISSEUR OU DE GAZ FITTER AUTORISÉ SEULEMENT
- RESPECTER TOUS ET INSPECTION DES PROCESSUS DE PERMIS EN CONFORMITÉ AVEC LA COMPÉTENCE LOCALE AUTORITÉ AVANT

GAZ PROPANE

- UTILISATION DU GAZ PROPANE EXIGE L'INSTALLATION D'UN RÉGULATEUR SECONDAIRE À CE POINT RACCORDEMENT DU GAZ
- ALIMENTATION 12 PSI AU RÉGULATEUR SECONDAIRE
- ALIMENTATION 11 POUCES C.E AU RÉGULATEUR DU GAZ DE TRAIN
- SYSTÈMES DE PROPANE EXIGENT L'UTILISATION D'UN VAPORISATEUR DE LIÈNE LIQUIDE

ATTENTION! UTILISATION DU SYSTÈME SANS LIÈNE LIQUIDE VAPORISER PEUT PROVOQUER UNE MAUVAISE COMBUSTION DE CARBURANT ET PEUT PROVOQUER FINALLEMENT CHAUFFE-EAU DOMMAGE

DANGER PROPANE VAPEUR SEULEMENT!!

GAZ NATUREL

- ALIMENTATION 14 POUCES C.E AU RÉGULATEUR DE GAZ DE TRAIN
- SI EST PRÉSENT, LE RÉGULATEUR DE GAZ SECONDAIRE À CE POINT DE RACCORDEMENT DE GAZ DOIT ÊTRE ENLÈVÉ POUR UNE UTILISATION DU GAZ NATUREL.

8

ATTENTION

USE ONLY BURNERS THAT ARE DRYAIR APPROVED FOR THIS UNIT.
UTILISER BRÛLEUR SEULEMENT QUE SONT DRYAIR APPROUVÉ POUR CET APPAREIL

CONNECTING TO NATURAL GAS OR PROPANE GAS
CONNECTION TO GAS SUPPLY MUST BE PERFORMED BY QUALIFIED PERSONNEL ONLY. ALL CODES AND PERMIT PROCESSES MUST BE ADHERED TO, AS ADMINISTERED BY THE LOCAL AUTHORITY HAVING JURISDICTION.

RACCORDEMENT AU GAZ NATUREL OU AU GAZ PROPANE
RACCORDEMENT AU GAZ DOIT ÊTRE EFFECTUÉ ALIMENTATION PAR DU PERSONNEL QUALIFIÉ. TOUS LES CODES ET TRAITEMENTS DE PERMIS DOIVENT ÊTRE RESPECTÉS. ES. AS GÈRE PAR LA COMPÉTENCE LOCALE AUTORITÉ AVANT.

9

10

ATTENTION

CE COUVERCLE DOIT ÊTRE EN PLACE AVANT DE METTRE LE BRÛLEUR EN MARCHÉ

11

DIESEL

12

PROPANE

13

NATURAL GAS

Item No.	Part No.	Description	Qty.
1	003-703775	DECAL BURNER DSL/LT OIL MOD USED ON	1
2	003-703772	DECAL DSL/LT OIL BURNER ID	1
3	003-703776	DECAL BURNER NAT GAS MOD USED ON	1
4	003-703773	DECAL NAT GAS BURNER ID	1
5	003-703777	DECAL BURNER PN GAS MOD USED ON	1
6	003-703774	DECAL PN GAS BURNER ID	1
7	003-703770	DECAL FUEL SPLY MOD2100-DG	1
8	003-703778	DECAL WNG BURNER USED & GAS SPLY	1
9	003-906823	DECAL GND SYMBOL	1
10	003-906839	DECAL ATTN BNR COVER INSTALLED FRENCH ONLY	1
11	003-906842	DECAL DIESEL 2-1/2X1	2
12	003-905267	DECAL PROPANE 3X1-1/4	2
13	003-905268	DECAL NATURAL GAS 3X1-1/4	2



Central Heating Unit 2100-DG-0900 Series
S/N:20526 - Current

Part No. 023-905849
Rev. 01 05-01-2023