



Heat

Dry

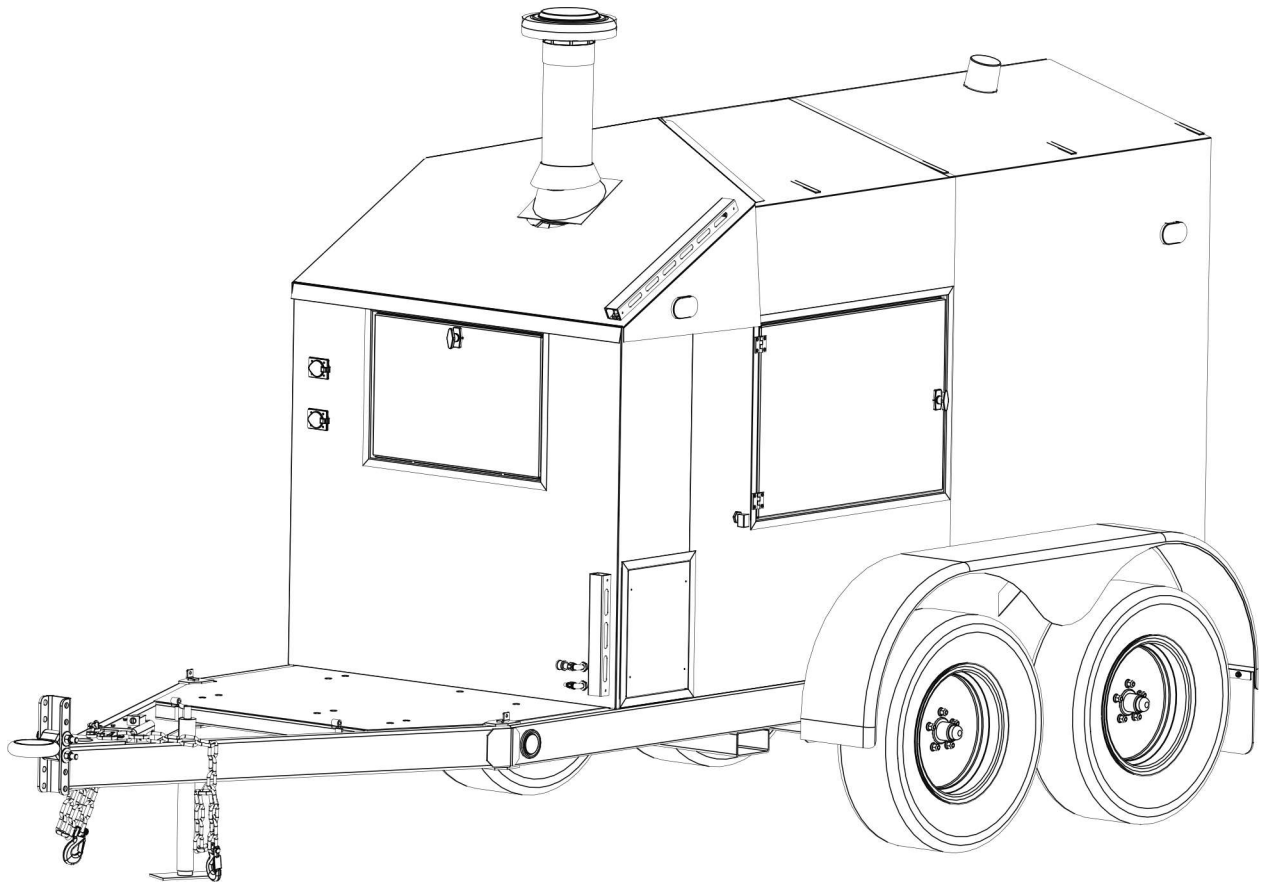
Thaw

Cure

PARTS CATALOGUE

Central Mobile Enclosure

300 GTS



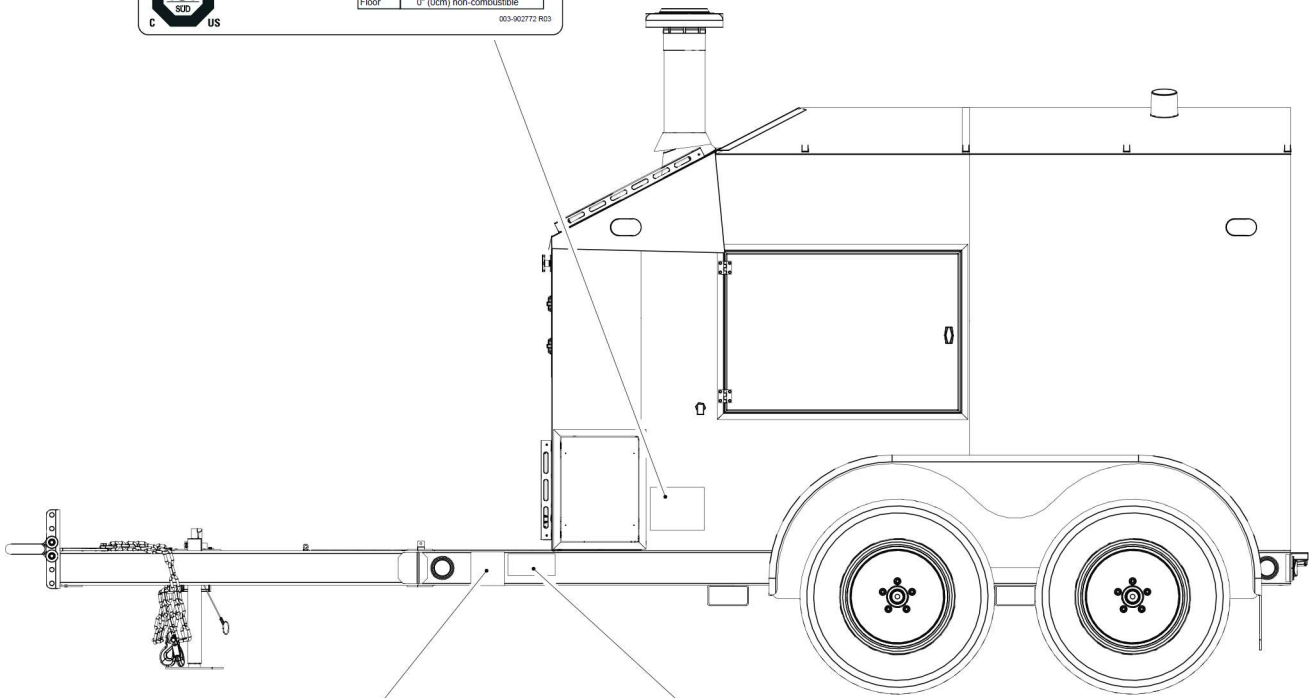
DRYAIR MANUFACTURING CORP.
PO BOX 126, 400 SERVICE ROAD
ST. BRIEUX, SK S0K 3V0
CANADA
www.dryair.ca

Tel: 1 (306) 275-4848
Toll-Free: 1 (888) 750-1700
Fax: 1 (306) 275-4664
Email: parts@dryair.ca



Central Mobile Enclosure 300 GTS Series Serial Number Location

DRYAIR		P.O. Box 126 400 Service Road St. Brieux, SK Canada S0K 3V0		MADE IN CANADA	
DRYAIR Model:	300 GTS	Reference:			
Serial No.:		Prod. Sched.:			
Main Power		Oil Burner			
Volts:	120V (L.N.G)	Model:	Riefflo 40-F10		
Phase:	1	Fuel:	#2 Heating Oil #1 Heating Oil		
Hz:	60 HZ	Calorific Value:	140,000 BTU / US Gal.	136,000 BTU / US Gal.	
Max Ampacity	20A	Output:	245,182 BTU/H	238,177 BTU/H	
Control Voltage	120/24 VAC	Fuel Input:	2.11	US GPH	
Min. Circuit Ampacity	15A	Pump Pressure:	145	PSI	
Max. Overcurrent Protection	20A				
Clearances:					
Sides 24" (61cm) minimum					
Flue Pipe 36" (91cm) minimum					
Floor 0" (0cm) non-combustible					
		003-902772 R03			



MANUFACTURED BY: DRYAIR MANUFACTURING CORP.
 IMPORTED BY: UPS SUPPLY CHAIN SOLUTIONS
 DATE OF MANUFACTURE:
 GVWR 3182 KG (7,000 LB)
 GAWR FRONT 1,591KG (3,500 LB)
 TIRES ST225/75 R15 (E)
 RIMS T-15x5K
 COLD TIRE INFL. SINGLE 414 kPa (60 PSI)
 GAWR REAR 1,591KG (3,500 LB)
 TIRES ST225/75 R15 (E)
 RIMS T-15x5K
 COLD TIRE INFL. SINGLE 414 kPa (60 PSI)
 THIS VEHICLE CONFORMS TO ALL APPLICABLE FEDERAL MOTOR VEHICLE SAFETY STANDARDS IN EFFECT ON THE DATE OF MANUFACTURE SHOWN ABOVE.
 VIN: 2DRUS627 S
 TYPE: TRAILER

003-902205-R01

MANUFACTURED BY/FABRIQUÉ PAR: DRYAIR MANUFACTURING CORP.
 ST. BRIEUX, SK CANADA S0K 3V0
 (306) 275-4848

DATE: _____
 GVWR/PNBV 3182 KG

GAWR/PNBE KG	TIRE/PNEU - DIMENSION - RIM/JANTE		COLD INFL. PRESS./ PRESS. DE GONFL. À FROID PSI/LPC KPA	
1st 1591	ST225/75 R15 E	T-15 X 5K	60	414
2nd 1591	ST225/75 R15 E	T-15 X 5K	60	414
3rd				

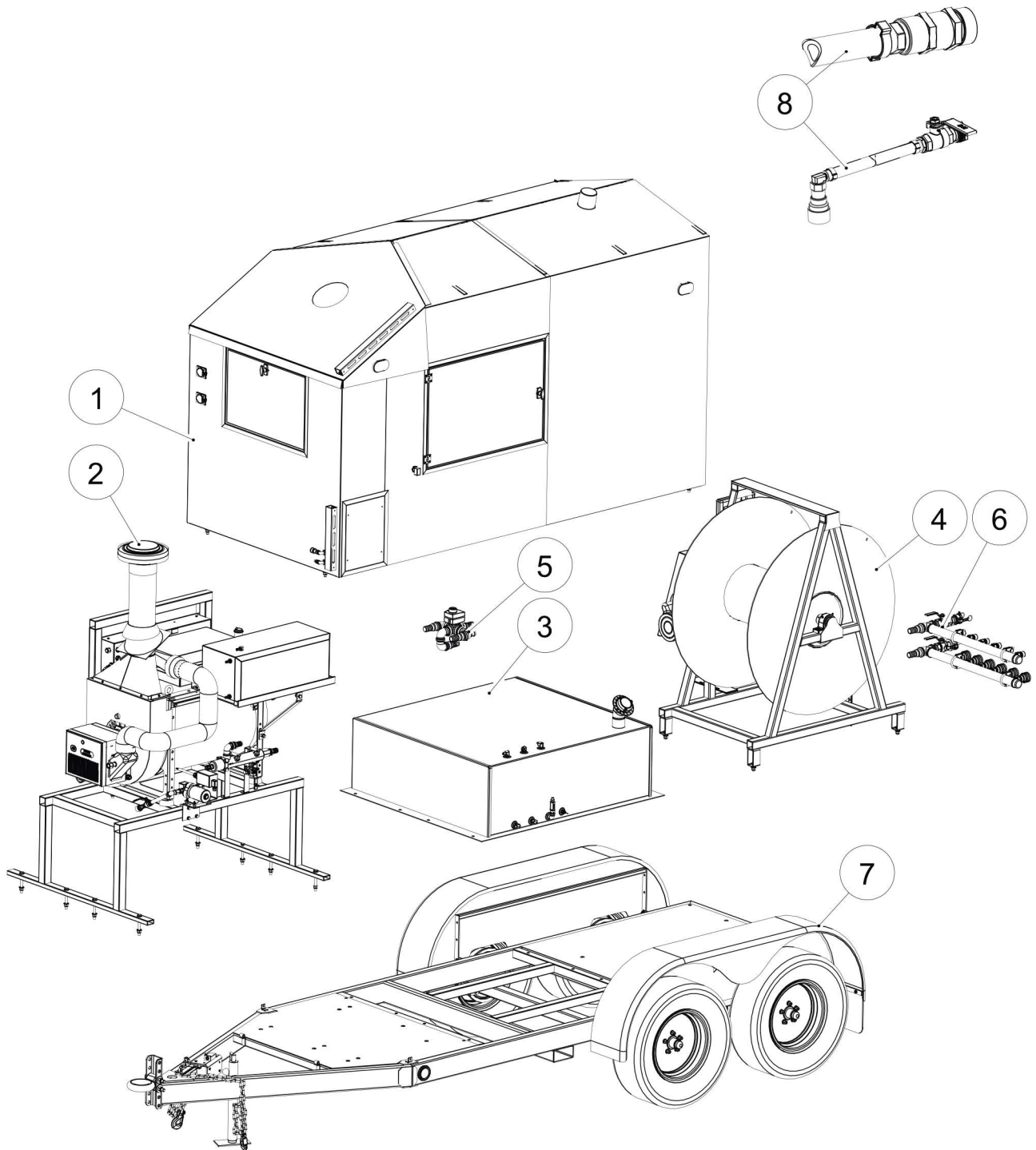
V.I.N./N.I.V.: 2DRUS627 S
 TYPE OF VEHICLE/TYPE DE VÉHICULE: TRA/REM

003-902019-R03



**Central Mobile Enclosure
300 GTS Series
Table of Contents**

Enclosure.....	1.1.1
Enclosure Panels.....	1.1.3
Burner Door.....	1.1.5
Side Door	1.1.7
Main Door.....	1.1.9
Motor Access Door.....	1.1.11
Dover Door.....	1.1.13
 Heat Exchanger.....	 2.1.1
Heat Exchanger.....	2.1.3
Heat Exchanger	2.1.5
Rear Heat Exchanger Plumbing.....	2.1.7
Fuel Preheater	2.1.9
Chimney.....	2.1.11
Utility Pump	2.1.13
Glycol Supply Valve.....	2.1.15
Pump	2.1.17
Burner	2.1.21
Air Preheater.....	2.1.23
Control Panel	2.1.25
Glycol Preheater.....	2.1.29
Glycol Tank.....	2.1.31
 Fuel Tank.....	 3.1.1
 HR300 GTS	 4.1.1
HR300 GTS Shield	4.1.3
Hose Reel Drive	4.1.5
 Flow Reverser	 5.1.1
 Manifold.....	 6.1.1
 Trailer	 7.1.1
 Suction Hose.....	 8.1.1
Flush Draw Hose	8.1.3
 Conversion Package	 9.1.1
 Hoses and Fuel Lines.....	 10.1.1
 Decals.....	 11.1.1

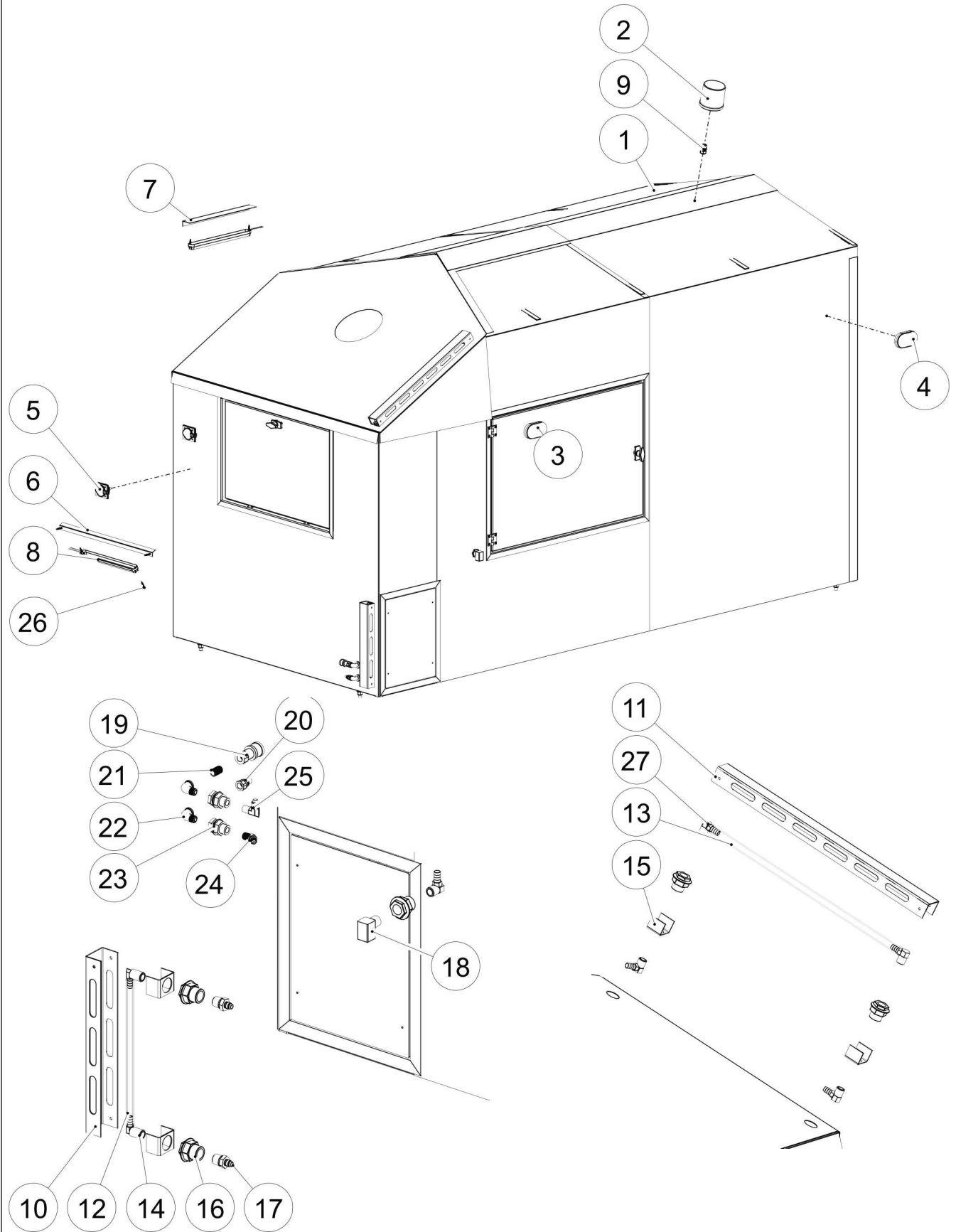




**Central Mobile Enclosure
300 GTS Series
Master Assembly**

S/N: 163201 -
S/N: Current
PAGE:

Item No.	Part No.	Description	Qty.
1		ENCLOSURE - see page 1.1.1	
2		HEAT EXCHANGER - see page 2.1.1	
3		FUEL TANK - see page 3.1.1	
4		HOSE REEL - see page 4.1.1	
5		FLOW REVERSER - see page 5.1.1	
6		MANIFOLD - see page 6.1.1	
7		TRAILER - see page 7.1.1	
8		HOSES - see page 8.1.1	

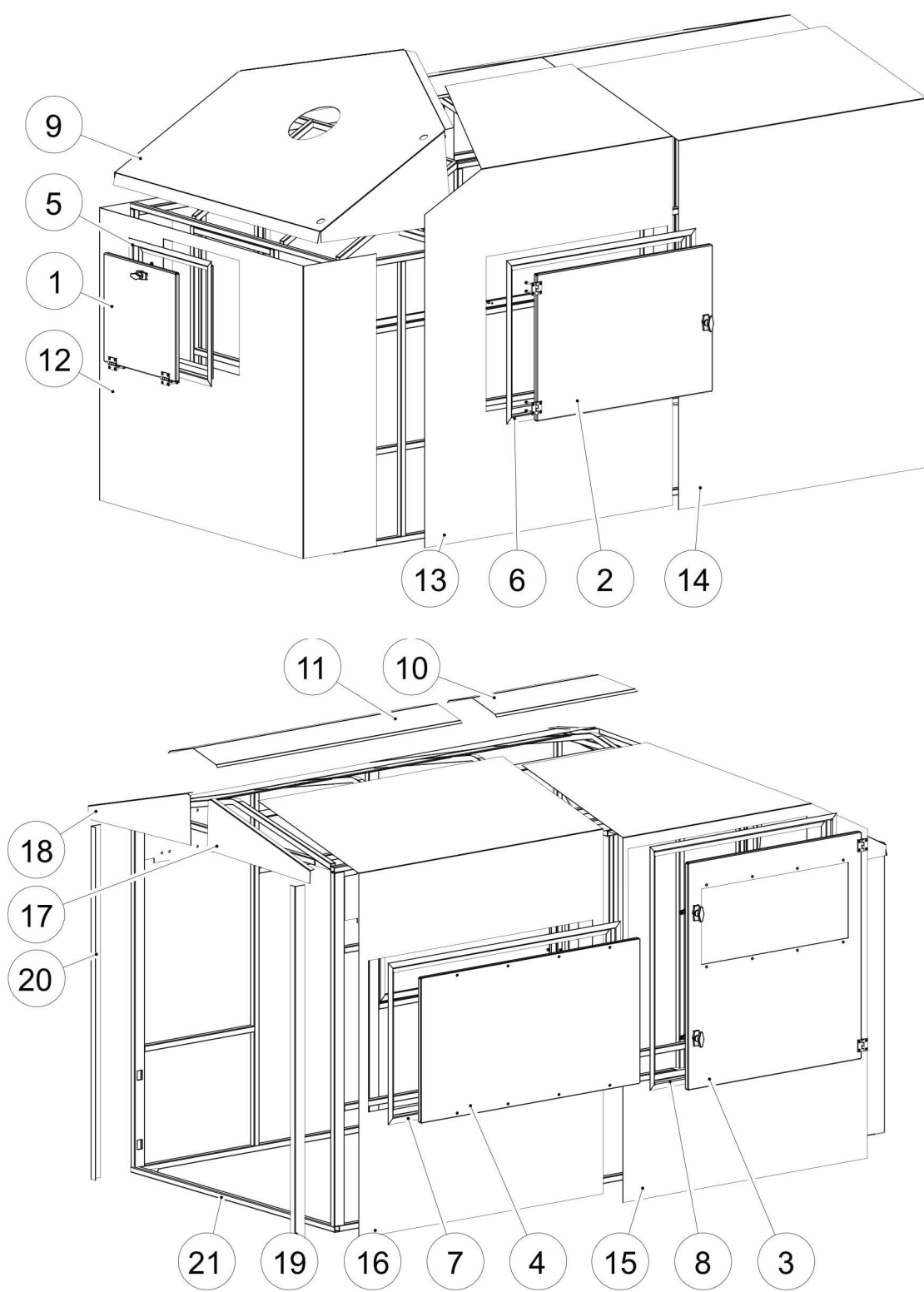




**Central Mobile Enclosure
300 GTS Series
Enclosure Components**

S/N: 163201 -
S/N: Current
PAGE: 1.1.2

Item No.	Part No.	Description	Qty.
1		PANELS - see page 1.1.3	
2A	002-900727	LIGHT STROBE GREEN 120V (OBS: USE 002-906924)	1
2B	006-900930	BULB STROBE 129Z Replacement bulb for 002-900727	1
2C	002-906924	LIGHT STROBE LP3T-120G	1
2D	006-906925	LIGHT STROBE BULB LP3T-120G Replacement bulb for 002-906924	1
2E	006-906926	LIGHT STROBE GREEN CVR LP3T-120G Replacement cover for 002-906924	1
2F	006-906927	LIGHT STROBE MNT AND GSKT KIT LP3T-120G Replacement gasket and mount for 006-906925	1
3	002-900726	LIGHT CLEARANCE AMBER SURF MT	2
4	002-902426	LIGHT CLEARANCE RED SURF MT	2
5	002-703611	PLUG PNL MNT WTHPRF 15A 125V	2
6	004-903062	PNL LIGHT DEFLECTOR FRT 23L 300-400GTS	1
7	004-903063	PNL LIGHT DEFLECTOR SIDE 15L 300-400GTS	2
8	002-900724	LIGHT BAR LED SLIMLITE COURTESY	3
9	002-704262	CONN STRN/RLF 1/2 .24-.47 CE/CSA	1
10	004-902007	SIGHT GLASS SHLD FUEL TANK GTS300	1
	004-902552	SIGHT GLASS SHLD FUEL TANK 300GTS GRN	1
11	004-902006	SIGHT GLASS SHLD GLY TANK GTS300	1
	004-902551	SIGHT GLASS SHLD GLY TANK 300GTS GRN	1
12	016-900747	TUBING CLEAR 3/8ID CHEMICAL RESISTANT TYGON	1
13	016-900748	TUBING CLEAR 1/2ID VINYL	1
14	011-900594	NIPL COMB 90ELB 1/2MPT X 3/8HB BRS	2
15	004-900742	MNT BRKT SIGHT GLASS SHIELD 600GTS	4
	004-901169	MNT BRKT SIGHT GLASS SHIELD 600GTS GRN	4
16	011-703047	FTG BHD CPLG BRS 1/2 FPT	6
17	011-702625	ADPTR 1/2 NPT X #6JIC 37DEG FLARE	2
18	011-703575	ELB ST 1/2X90DEG EXT D BRS NPT	1
19	011-703822	QC CPLR 1/4 STL PLD NPTF	1
20	011-703823	QC NIPL 1/4 STL PLD NPTF	1
21	011-703824	NIPL 1/4X1(CL) BRS NPT	2
22	011-703790	ELB ST 1/4X90DEG BRS NPT	2
23	011-704229	BLKHD 1/2NPTMX1/4NPTF BRS	2
24	011-902863	NIPL COMB 45DEG ELB #6MJIC X 1/4 MNPT STL	1
25	011-900604	ADPTR 90ELB 3/8MJIC 37 DEG X 1/4 MPT STL	1
26	001-704113	SCRW D/T #10X1-1/4 PAN HD/SQ SKT DR	12
27	011-704699	NIPL COMB 1/2NPTX1/2HB 90DEG BRS	3
		The following components may not be shown	
	002-900725	LIGHT BAR RED 3 LIGHT	1
	017-900423	FUEL-FILL LOCKABLE POPOUT SS 30DEG DSL-2IN (SN 153001-160915)	1

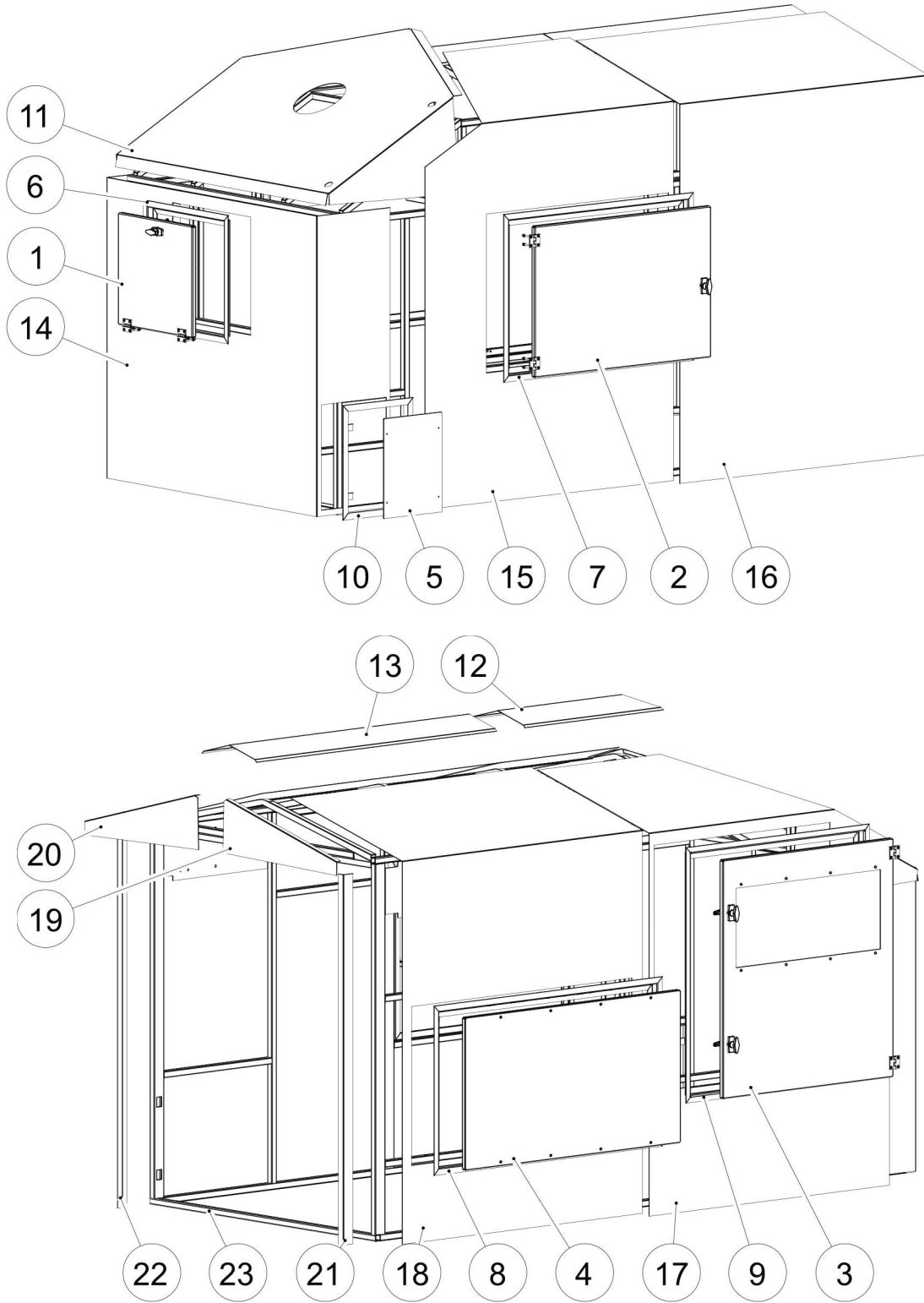




**Central Mobile Enclosure
300 GTS Series
Enclosure Panels**

S/N: 153000 -
S/N: 160915
PAGE: 1.1.4

Item No.	Part No.	Description	Qty.
1		BURNER DOOR - see page 1.1.5	
2		SIDE DOOR - see page 1.1.7	
3		MAIN DOOR - see page 1.1.9	
4		MOTOR ACCESS DOOR - see page 1.1.11	
5	004-901934	FRAME DOOR BURNER GTS300	1
	004-902544	FRAME DOOR BURNER 300GTS GRN	1
6	004-901935	FRAME DOOR SIDE GTS300	1
	004-902546	FRAME DOOR SIDE GRN 400GTS	1
7	004-901933	FRAME DOOR MOTOR ACCESS GTS300	1
	004-902542	FRAME DOOR MOTOR ACCESS 300GTS GRN	1
8	004-901936	FRAME DOOR MAIN GTS300	1
	004-902548	FRAME DOOR MAIN 300GTS GRN	1
9	004-902897	PNL ENC FRT TOP CNTR GTS300	1
	004-903286	PNL ENC FRT TOP CNTR 300GTS GRN	1
10	004-902903	PNL ENC ROOF CAP FRT GTS300	1
	004-903292	PNL ENC ROOF CAP FRT 300GTS GRN	1
11	004-902902	PNL ENC ROOF CAP REAR GTS300	1
	004-903291	PNL ENC ROOF CAP REAR 300GTS GRN	1
12	004-906488	PNL ENC FRT GTS300 (PS 1530-1609)	1
	004-906489	PNL ENC FRT GTS300 (PS 1530-1609) GRN	1
13	004-902898	PNL ENC SIDE R FRT GTS300	1
	004-903287	PNL ENC SIDE R FRT 300GTS GRN	1
14	004-902900	PNL ENC SIDE R REAR GTS300	1
	004-903289	PNL ENC SIDE R REAR 300GTS GRN	1
15	004-902899	PNL ENC SIDE L FRT GTS300	1
	004-903288	PNL ENC SIDE L FRT 300GTS GRN	1
16	004-906490	PNL ENC SIDE L REAR GTS300 (PS 1530-1609)	1
	004-906491	PNL ENC SIDE L REAR GTS300 (PS 1530-1609) GRN	1
17	004-902905	PNL ENC BACK TOP R GTS300	1
	004-903294	PNL ENC BACK TOP R 300GTS GRN	1
18	004-902904	PNL ENC BACK TOP L GTS300	1
	004-903293	PNL ENC BACK TOP L 300GTS GRN	1
19	004-902907	PNL ENC BACK SIDE R GTS300	1
	004-903296	PNL ENC BACK SIDE R 300GTS GRN	1
20	004-902906	PNL ENC BACK SIDE L GTS300	1
	004-903295	PNL ENC BACK SIDE L 300GTS GRN	1
21	004-901860	ENC FRAME GTS300	1

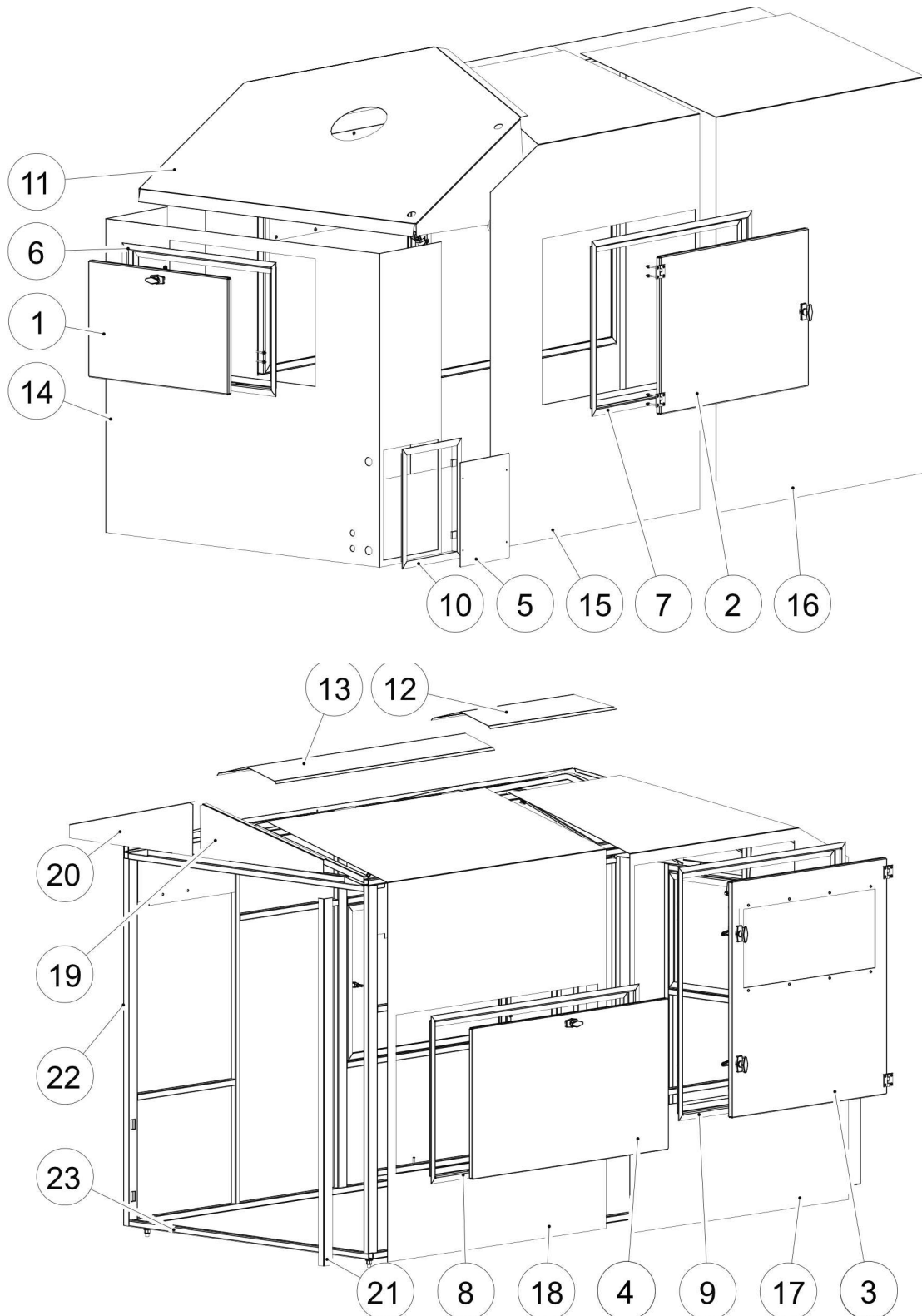




**Central Mobile Enclosure
300 GTS Series
Enclosure Panels**

S/N: 161201 -
S/N: 162420
PAGE: 1.2.4

Item No.	Part No.	Description	Qty.
1		BURNER DOOR - see page 1.1.5	
2		SIDE DOOR - see page 1.1.7	
3		MAIN DOOR - see page 1.1.9	
4		MOTOR ACCESS DOOR - see page 1.1.11	
5	004-902770	DOOR 15-1/4X11-1/4 ALUM GTS300	1
	004-902797	DOOR 15-1/4X11-1/4 ALUM 300GTS GRN	1
6	004-901934	FRAME DOOR BURNER GTS300	1
	004-902544	FRAME DOOR BURNER 300GTS GRN	1
7	004-901935	FRAME DOOR SIDE GTS300	1
	004-902546	FRAME DOOR SIDE GRN 400GTS	1
8	004-901933	FRAME DOOR MOTOR ACCESS GTS300	1
	004-902542	FRAME DOOR MOTOR ACCESS 300GTS GRN	1
9	004-901936	FRAME DOOR MAIN GTS300	1
	004-902548	FRAME DOOR MAIN 300GTS GRN	1
10	004-902792	FRAME DOOR FUEL ACCESS GTS300	1
	004-902798	FRAME DOOR FUEL ACCESS 300GTS GRN	1
11	004-902897	PNL ENC FRT TOP CNTR GTS300	1
	004-903286	PNL ENC FRT TOP CNTR 300GTS GRN	1
12	004-902903	PNL ENC ROOF CAP FRT GTS300	1
	004-903292	PNL ENC ROOF CAP FRT 300GTS GRN	1
13	004-902902	PNL ENC ROOF CAP REAR GTS300	1
	004-903291	PNL ENC ROOF CAP REAR 300GTS GRN	1
14	004-906492	PNL ENC FRT GTS300 (PS 1612-1624)	1
	004-906493	PNL ENC FRT GTS300 (PS 1612-1624) GRN	1
15	004-902898	PNL ENC SIDE R FRT GTS300	1
	004-903287	PNL ENC SIDE R FRT 300GTS GRN	1
16	004-902900	PNL ENC SIDE R REAR GTS300	1
	004-903289	PNL ENC SIDE R REAR 300GTS GRN	1
17	004-902899	PNL ENC SIDE L FRT GTS300	1
	004-903288	PNL ENC SIDE L FRT 300GTS GRN	1
18	004-906494	PNL ENC SIDE L REAR GTS300 (PS 1612-1624)	1
	004-906495	PNL ENC SIDE L REAR GTS300 (PS 1612-1624) GRN	1
19	004-902905	PNL ENC BACK TOP R GTS300	1
	004-903294	PNL ENC BACK TOP R 300GTS GRN	1
20	004-902904	PNL ENC BACK TOP L GTS300	1
	004-903293	PNL ENC BACK TOP L 300GTS GRN	1
21	004-902907	PNL ENC BACK SIDE R GTS300	1
	004-903296	PNL ENC BACK SIDE R 300GTS GRN	1
22	004-902906	PNL ENC BACK SIDE L GTS300	1
	004-903295	PNL ENC BACK SIDE L 300GTS GRN	1
23	004-902228	ENC FRAME GTS300 STD	1

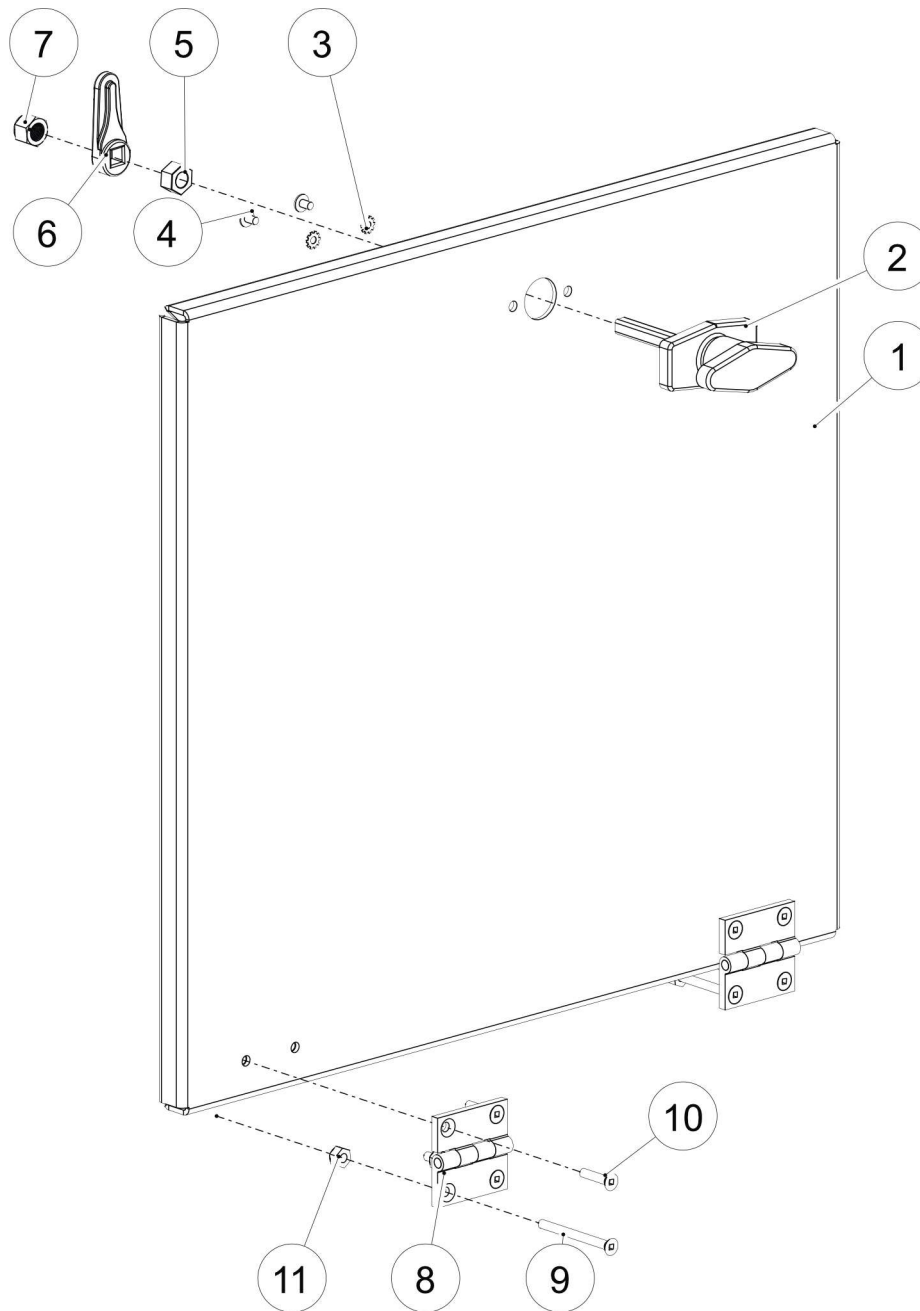




**Central Mobile Enclosure
300 GTS Series
Enclosure Panels**

S/N: 162801 -
S/N: Current
PAGE: 1.3.4

Item No.	Part No.	Description	Qty.
1		BURNER DOOR - see page 1.2.5	
2		SIDE DOOR - see page 1.1.7	
3		MAIN DOOR - see page 1.1.9	
4		MOTOR ACCESS DOOR - see page 1.2.11	
5	004-902770	DOOR 15-1/4X11-1/4 ALUM GTS300	1
	004-902797	DOOR 15-1/4X11-1/4 ALUM 300GTS GRN	1
6	004-902813	DOOR FRAME BURNER GTS300 PIN	1
	004-902819	FRAME DOOR BURNER 300GTS PIN GRN	1
7	004-901935	FRAME DOOR SIDE GTS300	1
	004-902546	FRAME DOOR SIDE GRN 400GTS	1
8	004-902820	FRAME DOOR MOTOR ACCESS GTS300 PIN	1
	004-902822	FRAME DOOR MOTOR ACCESS 300GTS PIN GRN	1
9	004-901936	FRAME DOOR MAIN GTS300	1
	004-902548	FRAME DOOR MAIN 300GTS GRN	1
10	004-902792	FRAME DOOR FUEL ACCESS GTS300	1
	004-902798	FRAME DOOR FUEL ACCESS 300GTS GRN	1
11	004-902897	PNL ENC FRT TOP CNTR GTS300	1
	004-903286	PNL ENC FRT TOP CNTR 300GTS GRN	1
12	004-902903	PNL ENC ROOF CAP FRT GTS300	1
	004-903292	PNL ENC ROOF CAP FRT 300GTS GRN	1
13	004-902902	PNL ENC ROOF CAP REAR GTS300	1
	004-903291	PNL ENC ROOF CAP REAR 300GTS GRN	1
14	004-902896	PNL ENC FRT GTS300	1
	004-903285	PNL ENC FRT 300GTS GRN	1
15	004-902898	PNL ENC SIDE R FRT GTS300	1
	004-903287	PNL ENC SIDE R FRT 300GTS GRN	1
16	004-902900	PNL ENC SIDE R REAR GTS300	1
	004-903289	PNL ENC SIDE R REAR 300GTS GRN	1
17	004-902899	PNL ENC SIDE L FRT GTS300	1
	004-903288	PNL ENC SIDE L FRT 300GTS GRN	1
18	004-902901	PNL ENC SIDE L REAR GTS300	1
	004-903290	PNL ENC SIDE L REAR 300GTS GRN	1
19	004-902905	PNL ENC BACK TOP R GTS300	1
	004-903294	PNL ENC BACK TOP R 300GTS GRN	1
20	004-902904	PNL ENC BACK TOP L GTS300	1
	004-903293	PNL ENC BACK TOP L 300GTS GRN	1
21	004-902907	PNL ENC BACK SIDE R GTS300	1
	004-903296	PNL ENC BACK SIDE R 300GTS GRN	1
22	004-902906	PNL ENC BACK SIDE L GTS300	1
	004-903295	PNL ENC BACK SIDE L 300GTS GRN	1
23	004-902927	ENC FRAME GTS300 WELDMNT POST TANK	1

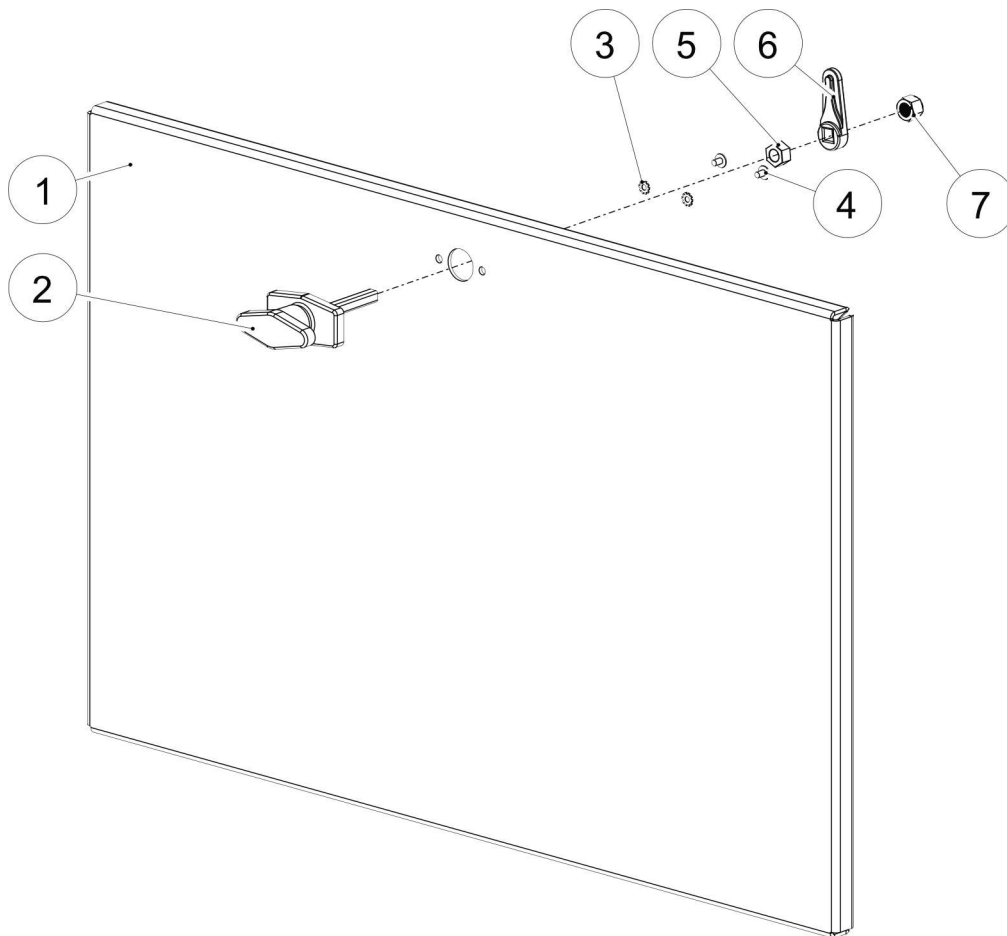




**Central Mobile Enclosure
300 GTS Series
Burner Door**

S/N: 153000 -
S/N: 162420
PAGE: 1.1.6

Item No.	Part No.	Description	Qty.
	018-905857	PKG HNDL T-LKG SS T305-90 <u>KEY 112</u> CW CAM & NUT <small>(Includes 2A, 3-7 & Key)</small>	
	018-905858	PKG HNDL T-LKG CHROME 2.5IN CH751 CW CAM & NUT <small>(Includes 2B, 3-7 & Key)</small>	
1	004-901929	DOOR BURNER GTS300	1
	004-902545	DOOR BURNER 300GTS GRN	1
2A	017-704486	HNDL T-LKG SS T305-90 KEY 112	1
2B	017-904514	HNDL T-LKG CHROME 2.5IN THRD SHAFT CH751 KEY	1
3	001-900778	WSHR STAR #8 STUD EXT TOOTH	2
4	001-900779	SCRW MACH 8-32X1/4 PANHEAD	2
5	001-704695	NUT 3/8-24 UNF	1
6	017-704694	LOCK CAM C15 ZINC	1
7	001-903811	NUT LKG NYL 3/8 UNF 24THRD GR5 PLD	1
8	017-900607	HINGE SURFACE-MT 316 SS POLISHED 2H X 2W	2
9	001-906024	SCRW MACH 10-24X2L FLAT HD SS SQ DR	4
10	001-906025	SCRW MACH 10-24X3/4L FLAT HD SS SQ DR	4
11	001-703910	NUT LKG #10-24 SS UNC	8
		The following components may not be shown	
	006-903096	KEY AH112 T LKG HNDL SS T305-90	
	006-904755	KEY CH751 T-LKG HNDL CHROME 4IN	

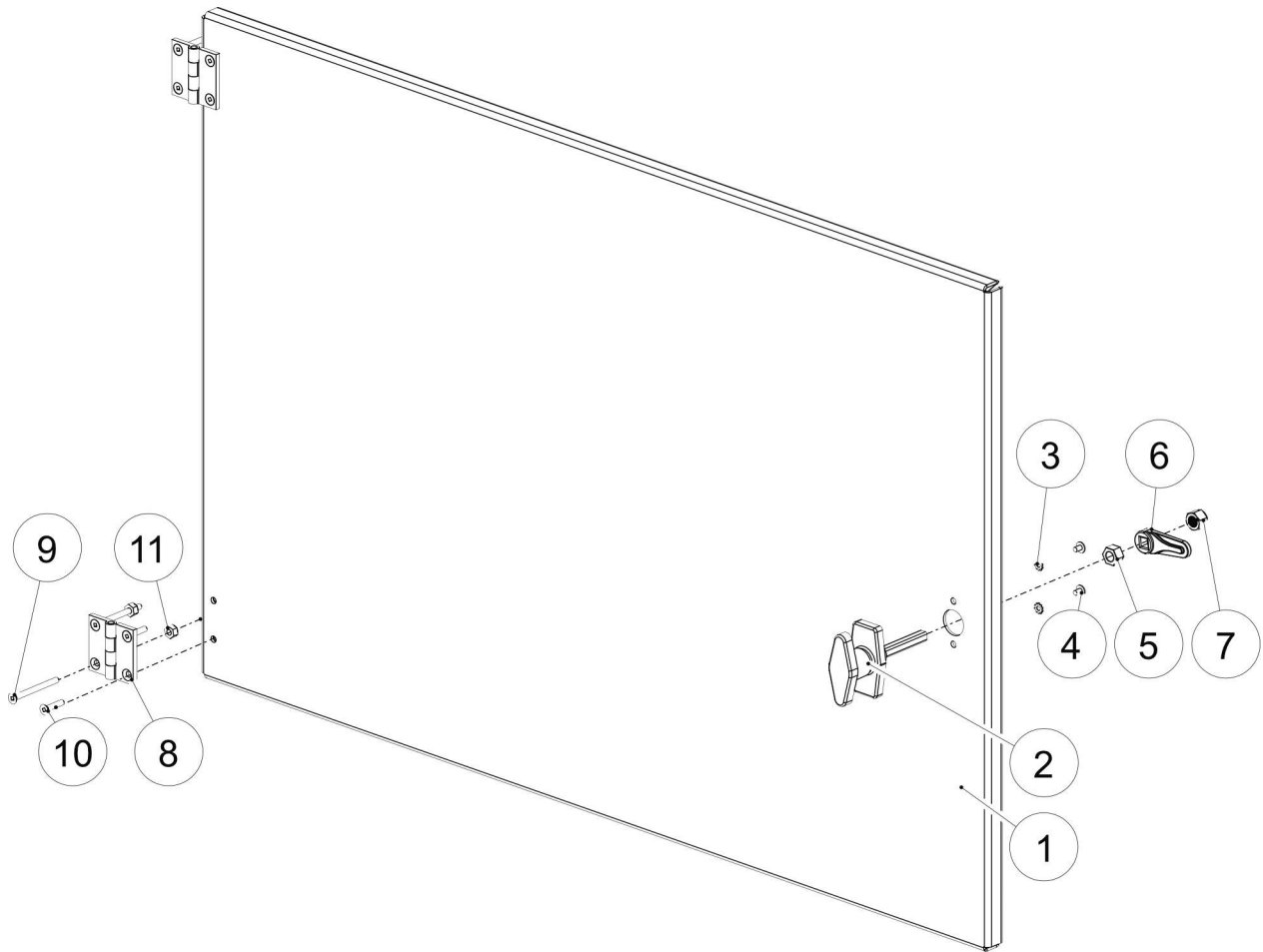




**Central Mobile Enclosure
300 GTS Series
Burner Door**

S/N: 162801 -
S/N: Current
PAGE: 1.2.6

Item No.	Part No.	Description	Qty.
	018-905999	PKG DOOR BURNER 300GTS (Includes 1-7)	
	018-906001	PKG DOOR BURNER 300GTS GRN (Includes 1-7)	
	018-905857	PKG HNDL T-LKG SS T305-90 KEY 112 CW CAM & NUT (Includes 2A, 3-7 & Key)	
	018-905858	PKG HNDL T-LKG CHROME 2.5IN CH751 CW CAM & NUT (Includes 2B, 3-7 & Key)	
1	004-902806	DOOR BURNER GTS300 PIN	1
	004-902815	DOOR BURNER 300GTS PIN GRN	1
2A	017-704486	HNDL T-LKG SS T305-90 KEY 112	1
2B	017-904514	HNDL T-LKG CHROME 2.5IN THRD SHAFT CH751 KEY	1
3	001-900778	WSHR STAR #8 STUD EXT TOOTH	2
4	001-900779	SCRW MACH 8-32X1/4 PANHEAD	2
5	001-704695	NUT 3/8-24 UNF	1
6	017-704694	LOCK CAM C15 ZINC	1
7	001-903811	NUT LKG NYL 3/8 UNF 24THRD GR5 PLD	1
		The following components may not be shown	
	006-903096	KEY AH112 T LKG HNDL SS T305-90	
	006-904755	KEY CH751 T-LKG HNDL CHROME 4IN	

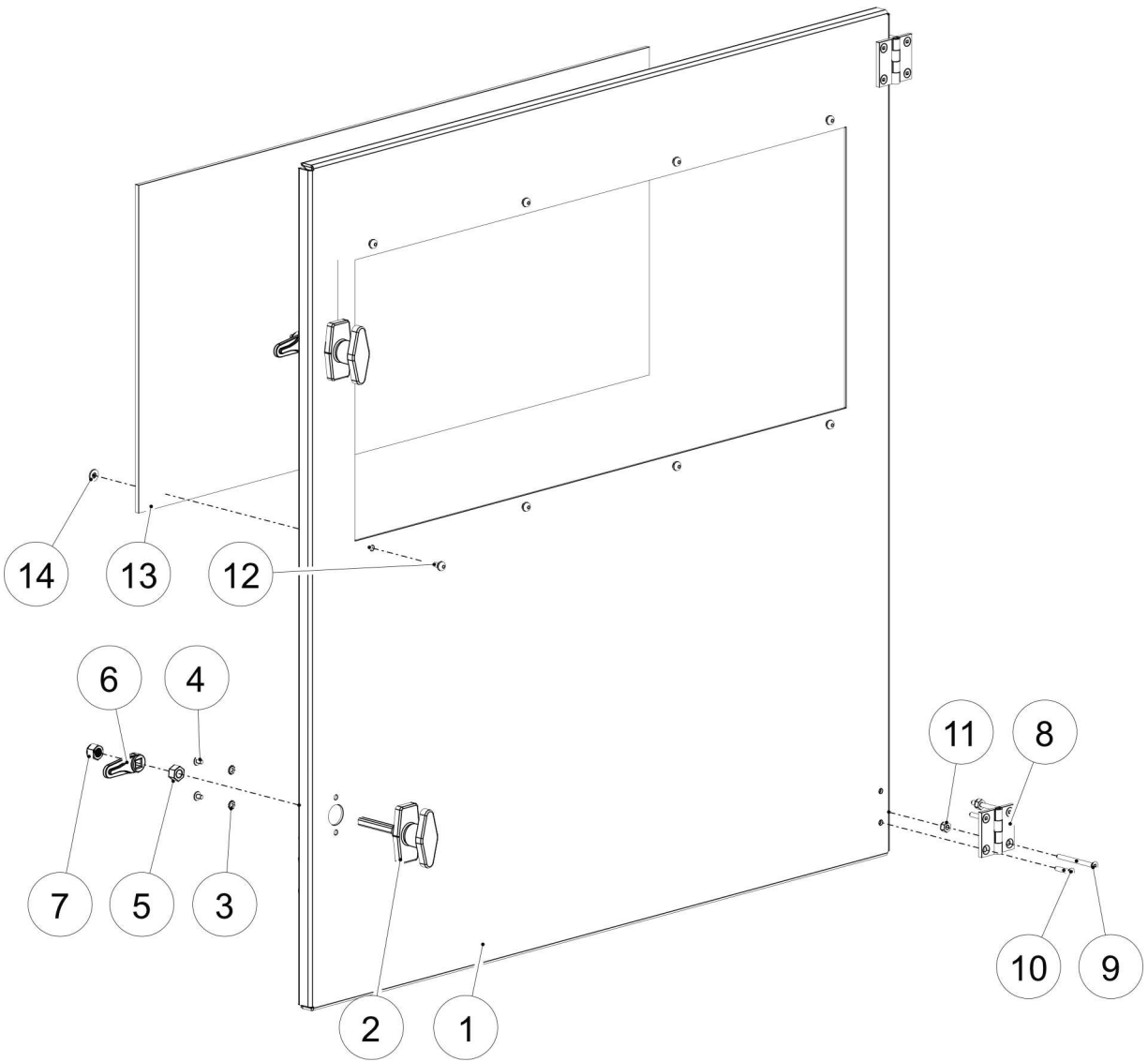




**Central Mobile Enclosure
300 GTS Series
Side Door**

S/N: 156000 -
S/N: Current
PAGE: 1.1.8

Item No.	Part No.	Description	Qty.
	018-905998	PKG DOOR SIDE 300GTS (Includes 2-6 & not shown)	
	018-906000	PKG DOOR SIDE 300GTS GRN (Includes 2-6 & not shown)	
	018-905857	PKG HNDL T-LKG SS T305-90 KEY 112 CW CAM & NUT (Includes 4-6 & Key)	
	018-905858	PKG HNDL T-LKG CHROME 2.5IN CH751 CW CAM & NUT (Includes 2B, 3-7 & Key)	
1	004-901928	DOOR SIDE GTS300	1
	004-902547	DOOR SIDE 300GTS GRN	1
2A	017-704486	HNDL T-LKG SS T305-90 KEY 112	1
2B	017-904514	HNDL T-LKG CHROME 2.5IN THRD SHAFT CH751 KEY	1
3	001-900778	WSHR STAR #8 STUD EXT TOOTH	2
4	001-900779	SCRW MACH 8-32X1/4 PANHEAD	2
5	001-704695	NUT 3/8-24 UNF	1
6	017-704694	LOCK CAM C15 ZINC	1
7	001-903811	NUT LKG NYL 3/8 UNF 24THRD GR5 PLD	1
8	017-900607	HINGE SURFACE-MT 316 SS POLISHED 2H X 2W	2
9	001-906024	SCRW MACH 10-24X2L FLAT HD SS SQ DR	4
10	001-906025	SCRW MACH 10-24X3/4L FLAT HD SS SQ DR	4
11	001-703910	NUT LKG #10-24 SS UNC	8
		The following components may not be shown	
	006-903096	KEY AH112 T LKG HNDL SS T305-90	
	006-904755	KEY CH751 T-LKG HNDL CHROME 4IN	





**Central Mobile Enclosure
300 GTS Series
Main Door**

S/N: 153000 -
S/N: Current
PAGE: 1.1.10

Item No.	Part No.	Description	Qty.
	018-902812	PKG DOOR MAIN GTS300 RAISED WINDOW (Includes 1-14)	
	018-902818	PKG DOOR MAIN GTS300 RAISED WINDOW GRN (Includes 1-14)	
	018-905857	PKG HNDL T-LKG SS T305-90 KEY 112 CW CAM & NUT (Includes 2A, 3-7 & Key)	
	018-905858	PKG HNDL T-LKG CHROME 2.5IN CH751 CW CAM & NUT (Includes 2B, 3-7 & Key)	
1	004-902811	DOOR MAIN GTS300 RAISED WINDOW	1
	004-902817	DOOR MAIN 300GTS RAISED WINDOW GRN	1
2A	017-704486	HNDL T-LKG SS T305-90 KEY 112	2
2B	017-904514	HNDL T-LKG CHROME 2.5IN THRD SHAFT CH751 KEY	2
3	001-900778	WSHR STAR #8 STUD EXT TOOTH	4
4	001-900779	SCRW MACH 8-32X1/4 PANHEAD	4
5	001-704695	NUT 3/8-24 UNF	2
6	017-704694	LOCK CAM C15 ZINC	2
7	001-903811	NUT LKG NYL 3/8 UNF 24THRD GR5 PLD	2
8	017-900607	HINGE SURFACE-MT 316 SS POLISHED 2H X 2W	2
9	001-906024	SCRW MACH 10-24X2L FLAT HD SS SQ DR	4
10	001-906025	SCRW MACH 10-24X3/4L FLAT HD SS SQ DR	4
11	001-703910	NUT LKG #10-24 SS UNC	8
12	001-901250	RIVET 3/16D X 1/2GRP ALUM	8
13	004-901926	WINDOW POLY CARB 30X14	1
14	001-701185	WSHR FLT #10 SAE PLD	8
		The following components may not be shown	
	006-903096	KEY AH112 T LKG HNDL SS T305-90	
	006-904755	KEY CH751 T-LKG HNDL CHROME 4IN	
	009-703960	TAPE 3M VHB-5925 2-SIDED 1/2W	8 FT

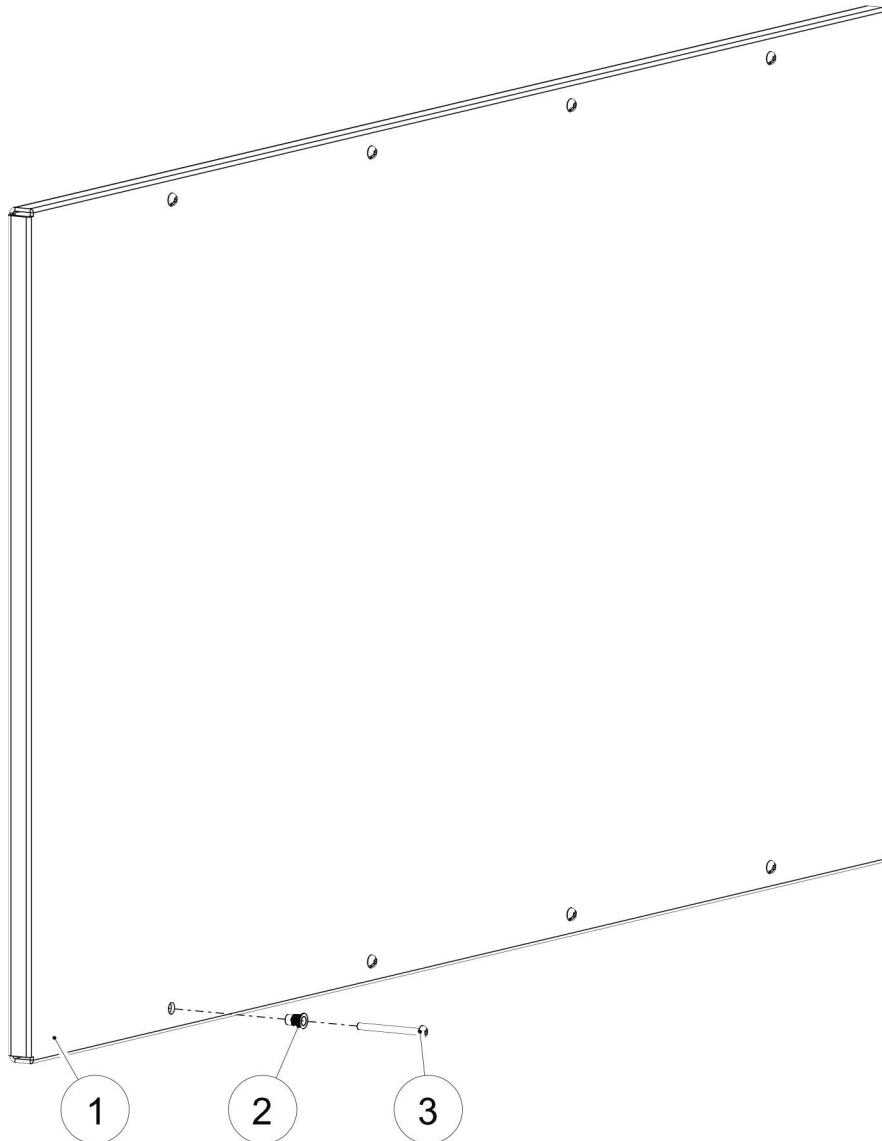


**Central Mobile Enclosure
300 GTS Series
Motor Access Door**

S/N: 153000 -

S/N: 161200

PAGE: 1.1.11

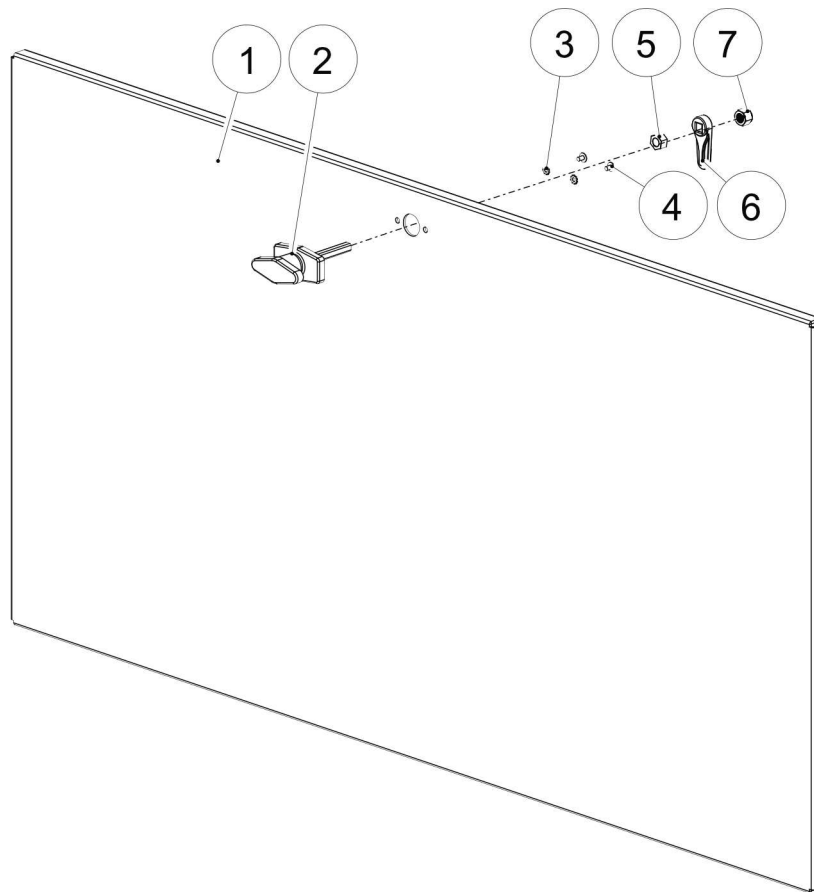




**Central Mobile Enclosure
300 GTS Series
Motor Access Door**

S/N: 153000 -
S/N: 161200
PAGE: 1.1.12

Item No.	Part No.	Description	Qty.
1	004-901930	DOOR MOTOR ACCESS GTS300	1
	004-902543	DOOR MOTOR ACCESS 300GTS GRN	1
2	001-704560	INSERT THD 10-24 RND BODY	8
3	001-900789	SCRW MACH 10-24X2 PANHEAD	8

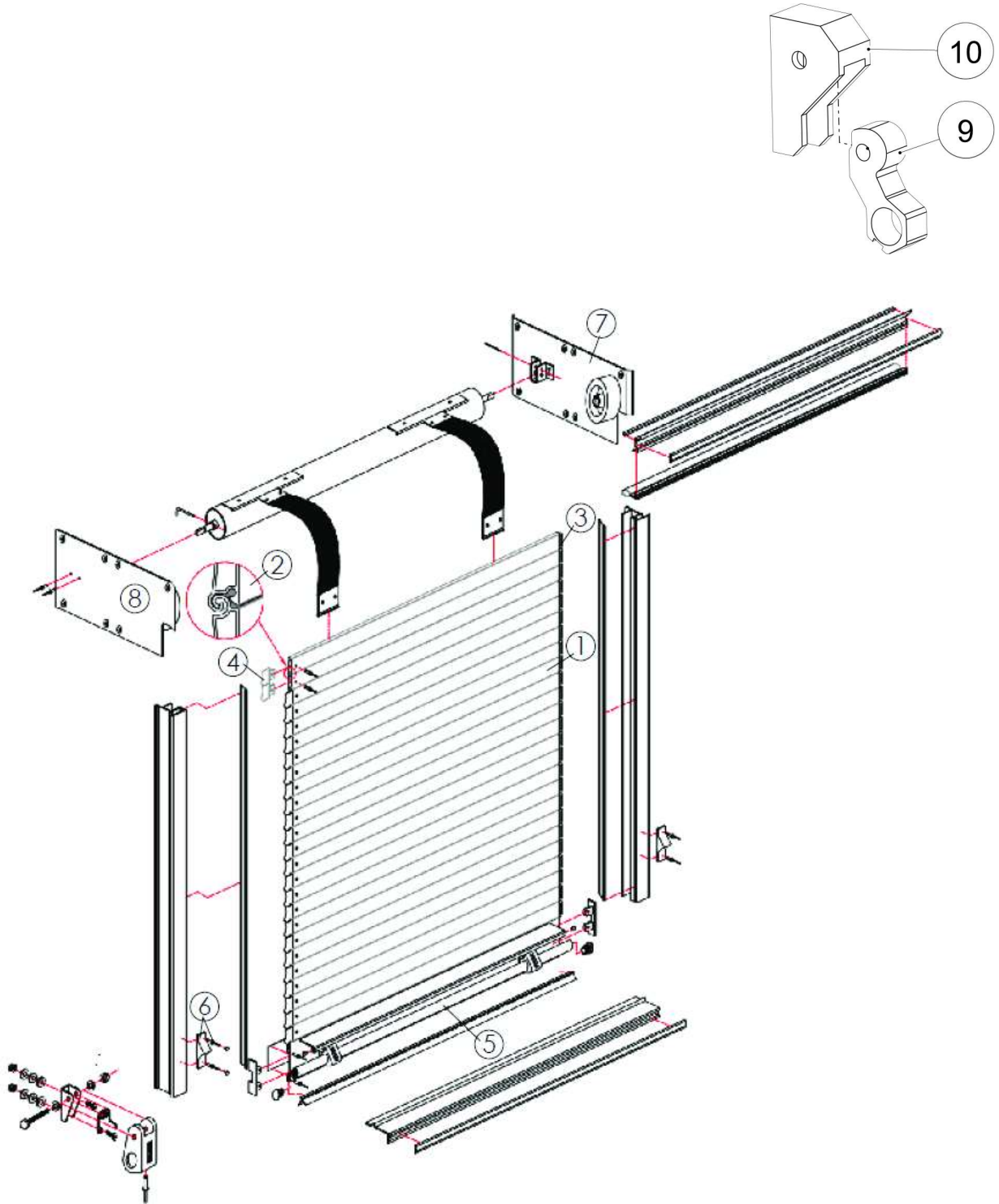




**Central Mobile Enclosure
300 GTS Series
Motor Access Door**

S/N: 161201 -
S/N: Current
PAGE: 1.2.12

Item No.	Part No.	Description	Qty.
	018-905176	ASSY DOOR MOTOR ACCESS PIN GTS400 CW HDWR <small>(Includes 2-5 & Not Shown)</small>	
	018-905182	ASSY DOOR MOTOR ACCESS PIN 400GTS CW HDWR GRN <small>(Includes 2-5 & Not Shown)</small>	
	018-905857	PKG HNDL T-LKG SS T305-90 <u>KEY 112</u> CW CAM & NUT <small>(Includes 2A, 3-7 & Key)</small>	
	018-905858	PKG HNDL T-LKG CHROME 2.5IN CH751 CW CAM & NUT <small>(Includes 2B, 3-7 & Key)</small>	
1	004-902807	DOOR MOTOR ACCESS GTS300 PIN	1
	004-902816	DOOR MOTOR ACCESS 300GTS PIN GRN	1
2A	017-704486	HNDL T-LKG SS T305-90 KEY 112	1
2B	017-904514	HNDL T-LKG CHROME 2.5IN THRD SHAFT CH751 KEY	1
3	001-900778	WSHR STAR #8 STUD EXT TOOTH	2
4	001-900779	SCRW MACH 8-32X1/4 PANHEAD	2
5	001-704695	NUT 3/8-24 UNF	1
6	017-704694	LOCK CAM C15 ZINC	1
7	001-903811	NUT LKG NYL 3/8 UNF 24THRD GR5 PLD	1
		The following components may not be shown	
	006-903096	KEY AH112 T LKG HNDL SS T305-90	
	006-904755	KEY CH751 T-LKG HNDL CHROME 4IN	

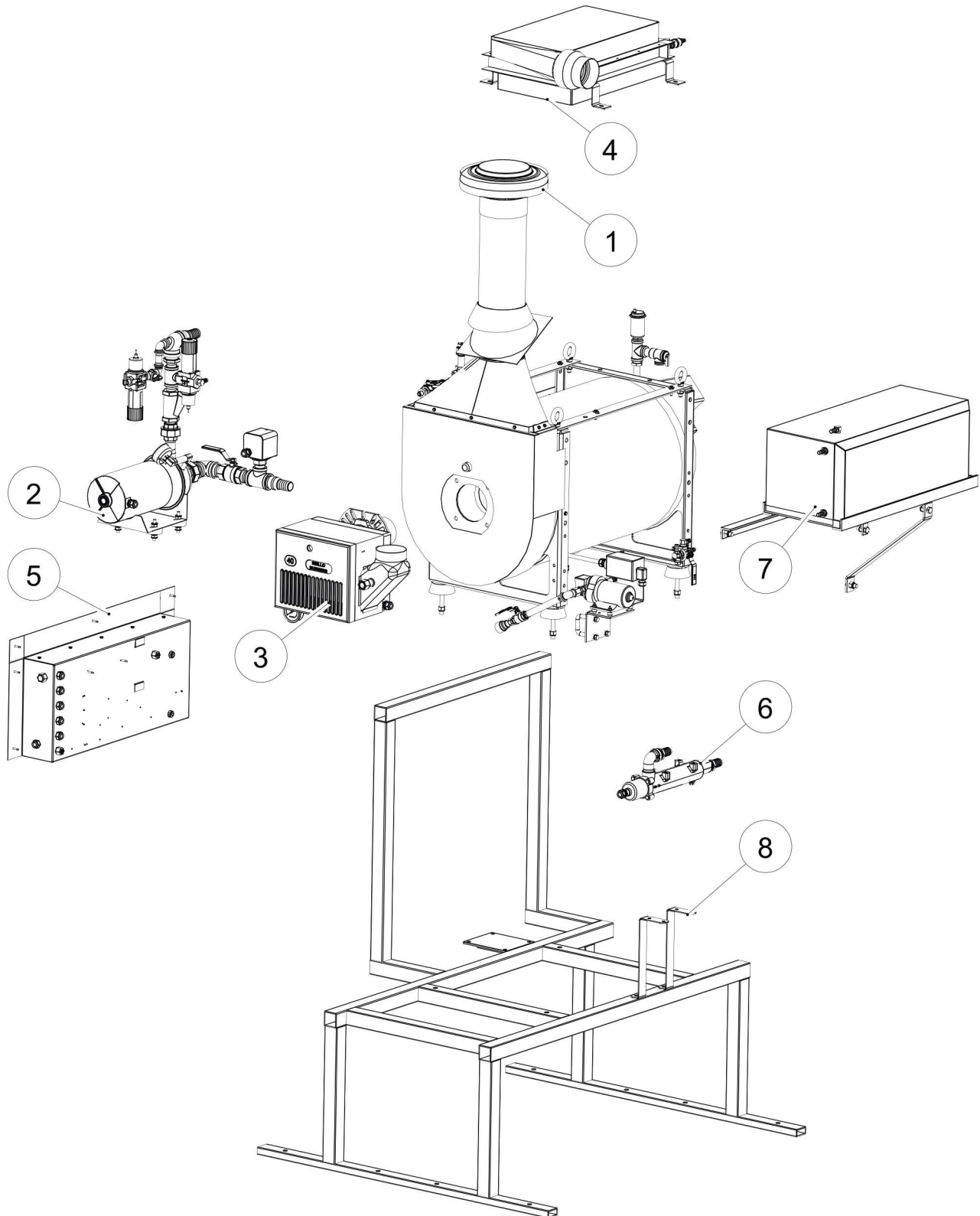




**Central Mobile Enclosure
300 GTS Series
Dover Door**

S/N: 153000 -
S/N: Current
PAGE: 1.1.14

Item No.	Part No.	Description	Qty.
	012-900721	DOOR ROLLUP DOVER 64WX60H (Includes all below)	1
1	006-902585	SLAT ANODIZED DOVER DOOR 62-3/8L	
2	006-902586	SEAL JOINT SLAT DOVER DOOR 62-3/8L	
3	006-902587	END CAP LEFT HAND SLAT DOVER DOOR	
4	006-902588	END CAP RIGHT HAND SLAT DOVER DOOR	
5	006-903208	HDL LOCK-BAR SS 7/8X63L DOVER DOOR GTS600	1
6	006-902590	STRIKER NYL BLK DOVER DOOR	2
7	006-902591	MNT RLR HEAD PLT DOVER DOOR LH	1
8	006-902592	MNT RLR HEAD PLT DOVER DOOR RH	1
9	006-905928	BAR LOCK HOLDER-PIVOT DOVER DOOR	2
10	006-905929	BAR LOCK COVER HOLDER DOVER DOOR	2
		The following components may not be shown	
	006-902593	GUIDE TRACK SIDE FIX LEFT DOVER DOOR	1
	006-902594	GUIDE TRACK SIDE FIX RIGHT DOVER DOOR	1
	006-902589	LOCK CAM 501 DOVER DOOR	
	006-903095	KEY CH501 DOVER ROLLUP DOOR	



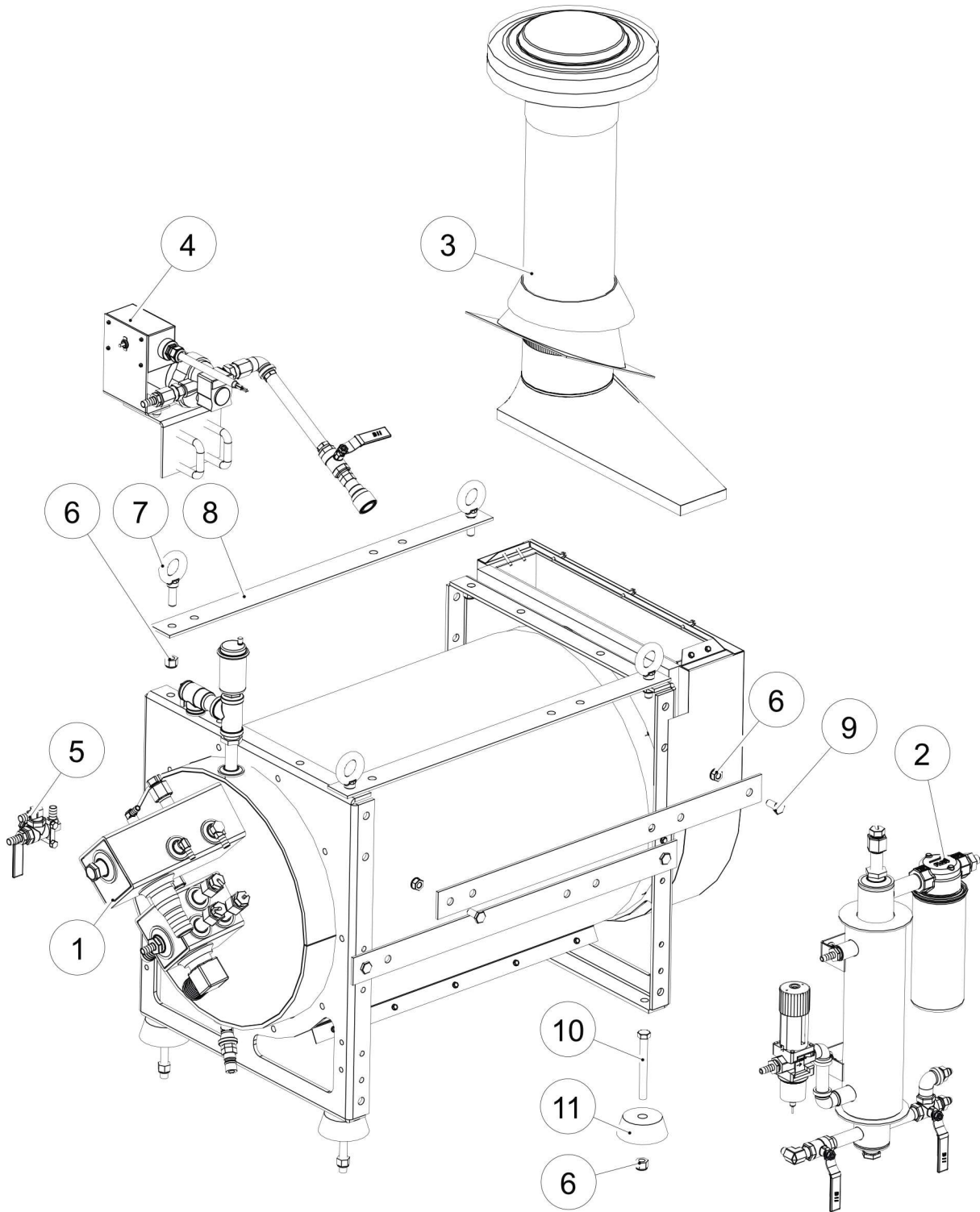


**Central Mobile Enclosure
300 GTS Series
Heat Exchanger**

S/N: S/N:

PAGE: 2.1.2

Item No.	Part No.	Description	Qty.
1		HEAT EXCHANGER - see page 2.1.3	
2		PUMP - see page 2.1.17	
3		BURNER - see page 2.1.21	
4		AIR PREHEATER - see page 2.1.23	
5		CONTROL PANEL - see page 2.1.25	
6		GLYCOL PREHEATER - see page 2.1.27	
7		GLYCOL TANK - see page 2.1.31	
8	004-901832	STAND SUPPORT GTS300	1
		The following components may not be shown	
	001-700739	BOLT 1/4X1 PLD GR5	2
	001-700042	NUT LKG NYL 1/4 UNC PLD	2
	001-902362	CLP 1/2ID RBR CUSH SPRT	2
	001-700093	SCRW D/T 1/4-14X3/4 3/8HEX HD PLD	11

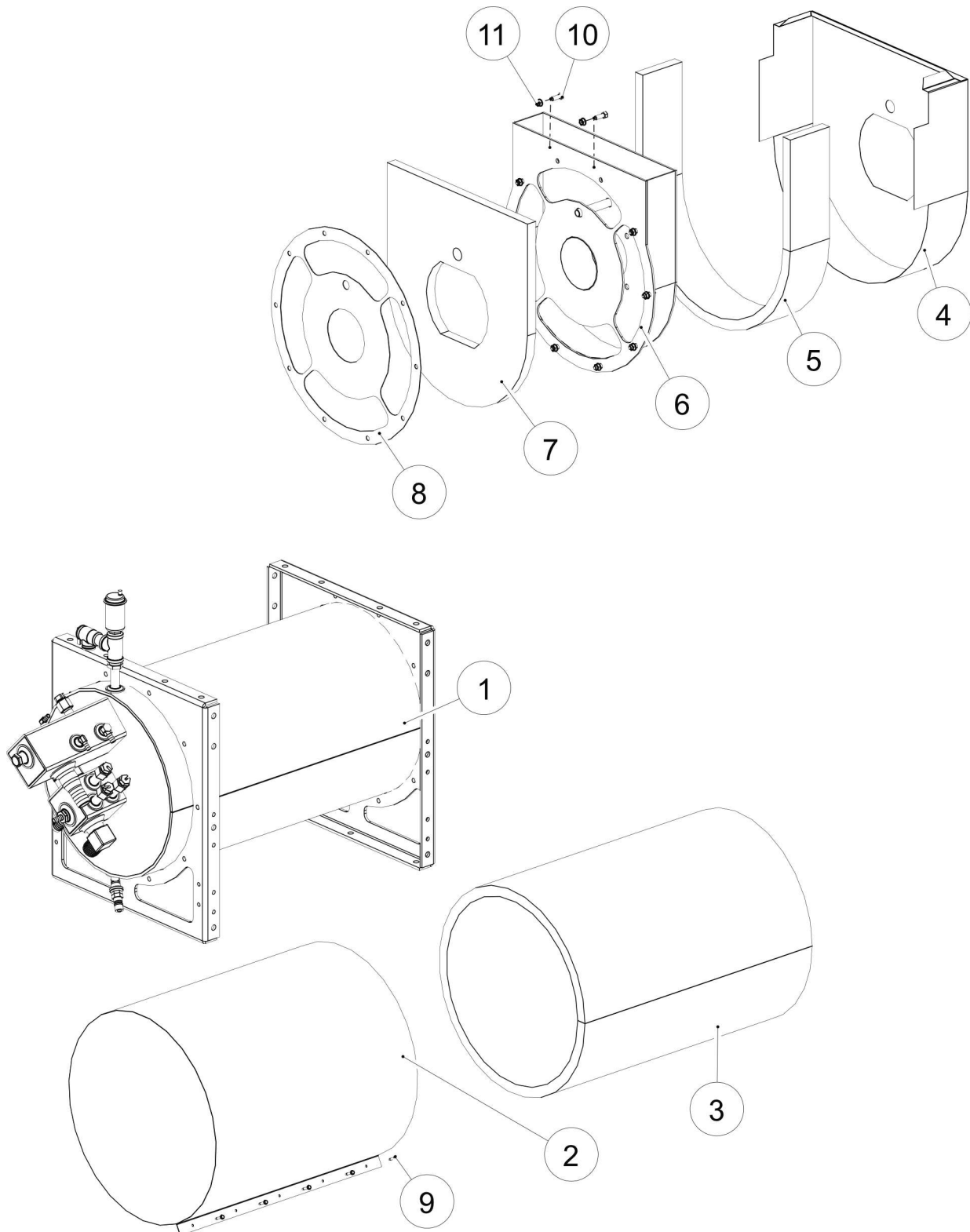




**Central Mobile Enclosure
300 GTS Series
Heat Exchanger**

S/N: 153000 -
S/N: 164520
PAGE: 2.1.4

Item No.	Part No.	Description	Qty.
1		HEAT EXCHANGER - see page 2.1.5	
2		FUEL PREHEATER - see page 2.1.9	
3		CHIMNEY - see page 2.1.11	
4		UTILITY PUMP - see page 2.1.13	
5		GLYCOL SUPPLY VALVE - see page 2.1.15	
6	001-701606	NUT LKG NYL 1/2 UNC PLD	12
7	001-901986	BOLT EYE 1-2X1-3/16X1-1/2	4
8	004-901840	BAR FLAT 3/16X2 28L CW HOLES	4
9	001-700471	BOLT 1/2X1 PLD GR5	4
10	001-703657	BOLT 1/2X4-1/2 PLD GR5	4
11	001-901985	MNT VIB NPRN 2-3/4X7/8	4

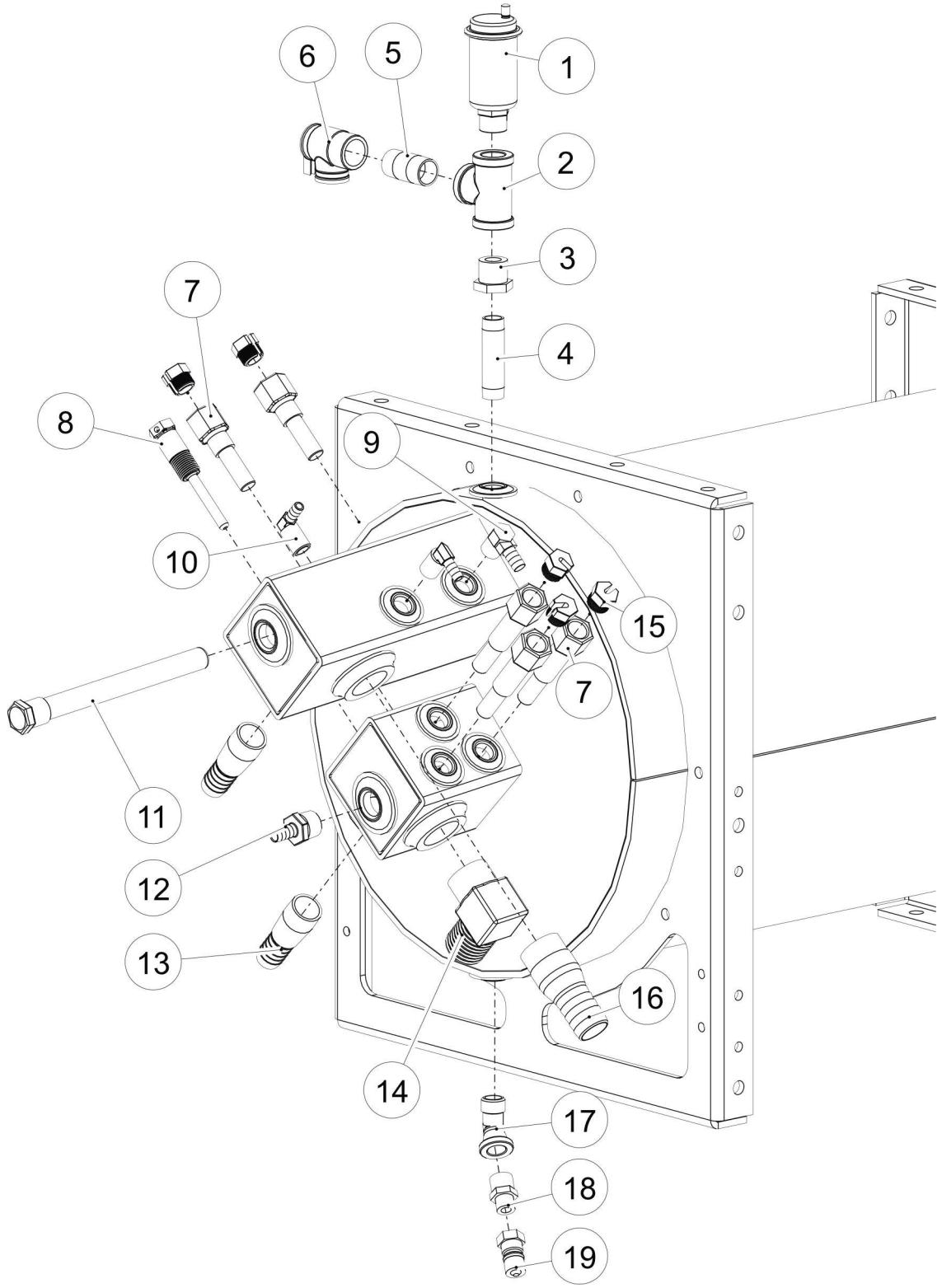




**Central Mobile Enclosure
300 GTS Series
Heat Exchanger**

S/N: 153000 -
S/N: 164520
PAGE: 2.1.6

Item No.	Part No.	Description	Qty.
1		CONVERSION PACKAGE - see page 9.1.1 CALL DRYAIR PARTS DEPARTMENT FOR ASSISTANCE	
2	004-901123	INSULATION SHLD GTS300	1
3	004-901983	INSUL MOD 2200 MAIN TUBE	1
4	004-901124	INSULATION SHLD EXHAUST COLLECTOR	1
5	004-901981	INSUL MOD 2200 EXHAUST SIDE	1
6	004-900543	EXH-COLL CHM2200-0250/0300	1
7	004-901982	INSUL MOD 2200 EXHAUST END	1
8	004-903135	GSKT EXH-COLL HEAT EXCHANGER 300GTS	1
9	001-700629	SCRW D/T 10-16X3/4 5/16HEX HD PLD	5
10	001-700804	BOLT 3/8X1 PLD GR5	10
11	001-700890	NUT 3/8 PLD	10

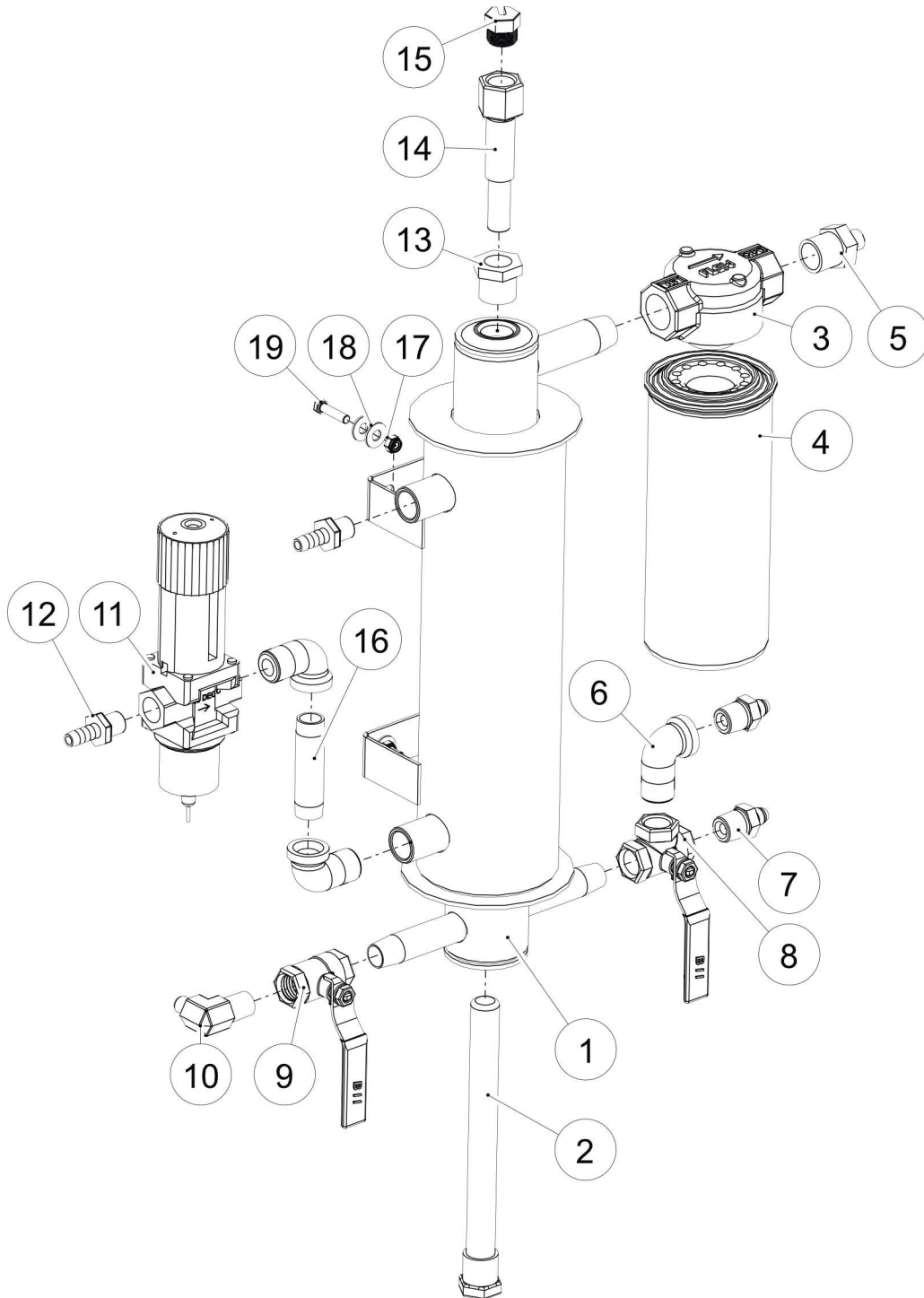




**Central Mobile Enclosure
300 GTS Series
Rear Heat Exchanger Plumbing**

S/N: 153000 -
S/N: 164520
PAGE: 2.1.8

Item No.	Part No.	Description	Qty.
1	011-702995	AIR VENT AUTO 3/4NPT 150PSI 240DEG F	1
2	011-703902	TEE 3/4 BRS	1
3	011-900531	BSHG RDCG 3/4 MPT X 1/2 FPT BRS	1
4	011-900592	NIPL 1/2X3 BRS MPT	1
5	011-703172	NIPL 3/4X2 BRS NPT	1
6	011-702627	VLV SAFETY PRESS RLF 30PSI 3/4FPT	1
7	005-702592	WELL THERM BRS 4-3/8IN .385 BORE 1/2IN NPT	5
8	005-704272	WELL THERM BULB ASSY 1/2IN NPT	1
9	011-704699	NIPL COMB 1/2NPTX1/2HB 90DEG BRS	1
10	011-900594	NIPL COMB 90ELB 1/2MPT X 3/8HB BRS	2
11	005-700204	WELL F/AVTA/B 3/4 BRS BULB	1
12	011-702564	NIPL COMB 3/4NPTX1/2HB BRS	1
13	011-901979	NIPL COMB 1X1 BLK PIPE HB PNTD BLK	2
14	011-901949	NIPL COMB 1-1/4NPTX1-1/4HB 90DEG BRS	1
15	005-702757	NUT SPLIT WELLCAP 3/4FINE THREAD	5
16	011-702063	NIPL COMB 1-1/4HB PNTD BLK	1
17	011-901980	ELB ST 1/2X45DEG MI NPT PNTD BLK	1
18	011-901963	NIPL HEX RDCG 1/2MNPTX3/8MNPT BRS	1
19	011-900428	QC NIPL 3/8 BRS NPTF	1

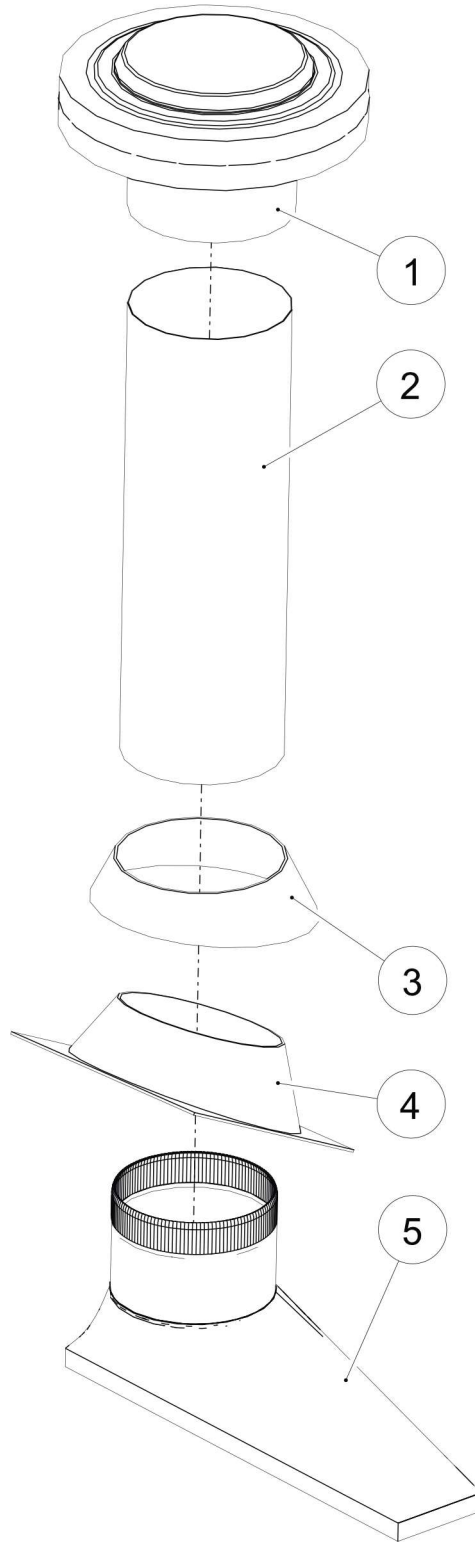




**Central Mobile Enclosure
300 GTS Series
Fuel Preheater**

S/N: 153000 -
S/N: Current
PAGE: 2.1.10

Item No.	Part No.	Description	Qty.
1	004-901953	PRE-HTR DSL MOD 2200 WELDMENT	1
2	005-700204	WELL F/AVTA/B 3/4 BRS BULB	1
3	012-702587	ADPTR FUEL FILTER MTG AL	1
4	012-702588	FILTER FUEL OIL PART/WTR COMB	1
5	011-901436	ADPTR 3/4NPT X #6JIC 37DEG FLARE	1
6	011-703048	ELB ST 1/2X90DEG BRS NPT	3
7	011-702625	ADPTR 1/2 NPT X #6JIC 37DEG FLARE	2
8	011-702594	VLV 1/2 3-WAY BRS	1
9	011-700115	VLV BALL 1/2 400WOG STD BRS CGA NPTF	1
10	011-900602	ADPTR 90ELB 3/8MJIC 37X1/2 MPT STL	1
11	005-702505	VLV DANFOSS 1/2IN AVTB 15 0-30 DEG C TEMP RNG	1
12	011-702563	NIPL COMB 1/2NPTX3/8HB BRS	2
13	011-900531	BSHG RDCG 3/4 MPT X 1/2 FPT BRS	1
14	005-702592	WELL THERM BRS 4-3/8IN .385 BORE 1/2IN NPT	1
15	005-702757	NUT SPLIT WELLCAP 3/4FINE THREAD	1
16	011-900592	NIPL 1/2X3 BRS MPT	1
17	001-700042	NUT LKG NYL 1/4 UNC PLD	4
18	001-700129	WSHR FLT 1/4 PLD	8
19	001-700739	BOLT 1/4X1 PLD GR5	4



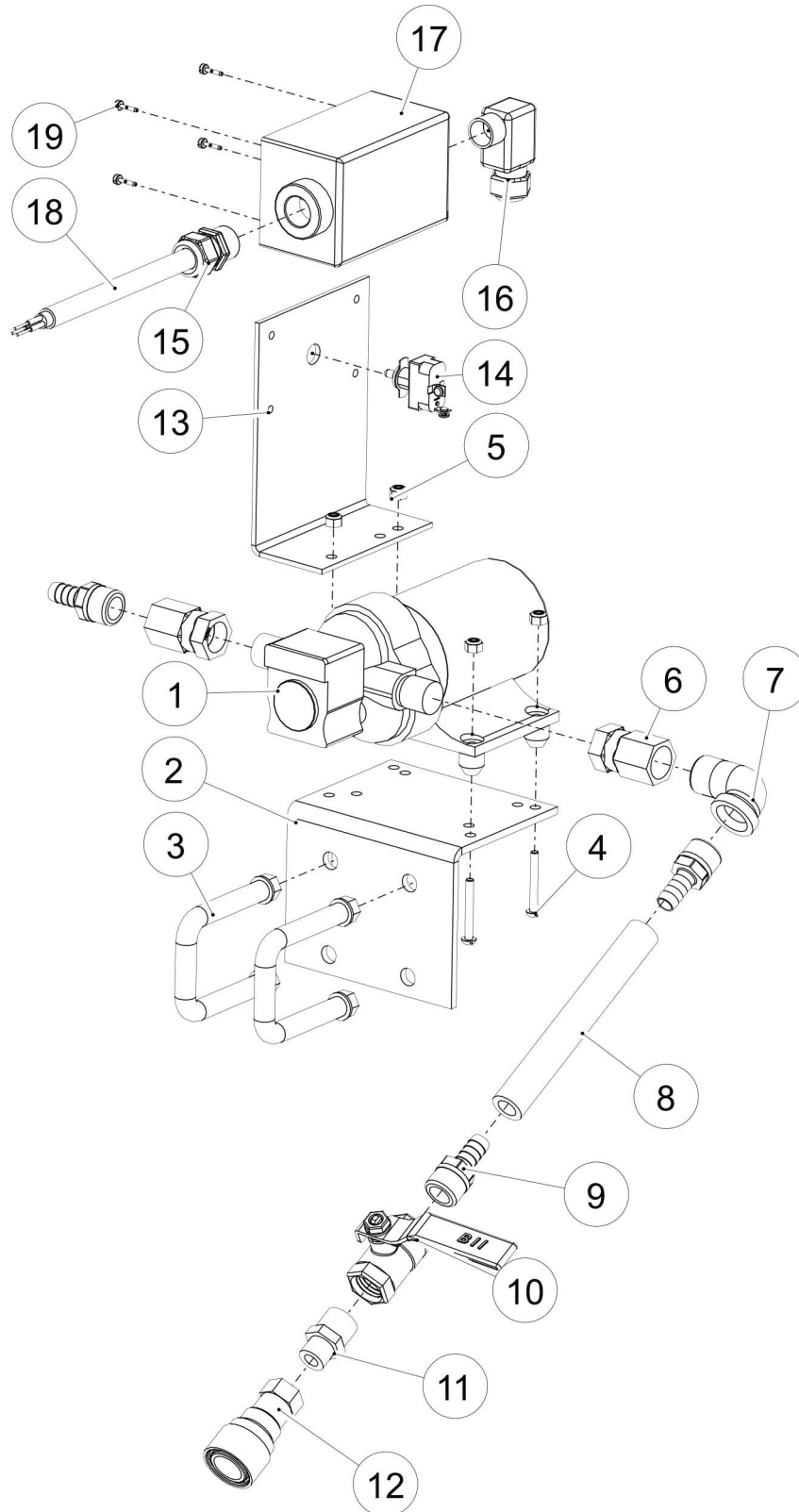
Chimney



**Central Mobile Enclosure
300 GTS Series
Chimney**

S/N: 153000 -
S/N: Current
PAGE: 2.1.12

Item No.	Part No.	Description	Qty.
1	004-900424	CHMNY CAP 6IN CHINA GALV	1
2	004-901118	CHMNY PIPE 6X18 24GA GALV SNAP-LOCK	1
3	004-902012	CHMNY STORM COLLAR 6IN	1
4	004-902011	CHMNY FLSHG ROOF 6IN ANG	1
5	004-901119	CHMNY SQR TO RND ASSY MOD UK250	1
		The following components may not be shown	
	001-700629	SCRW D/T 10-16X3/4 5/16HEX HD PLD	16



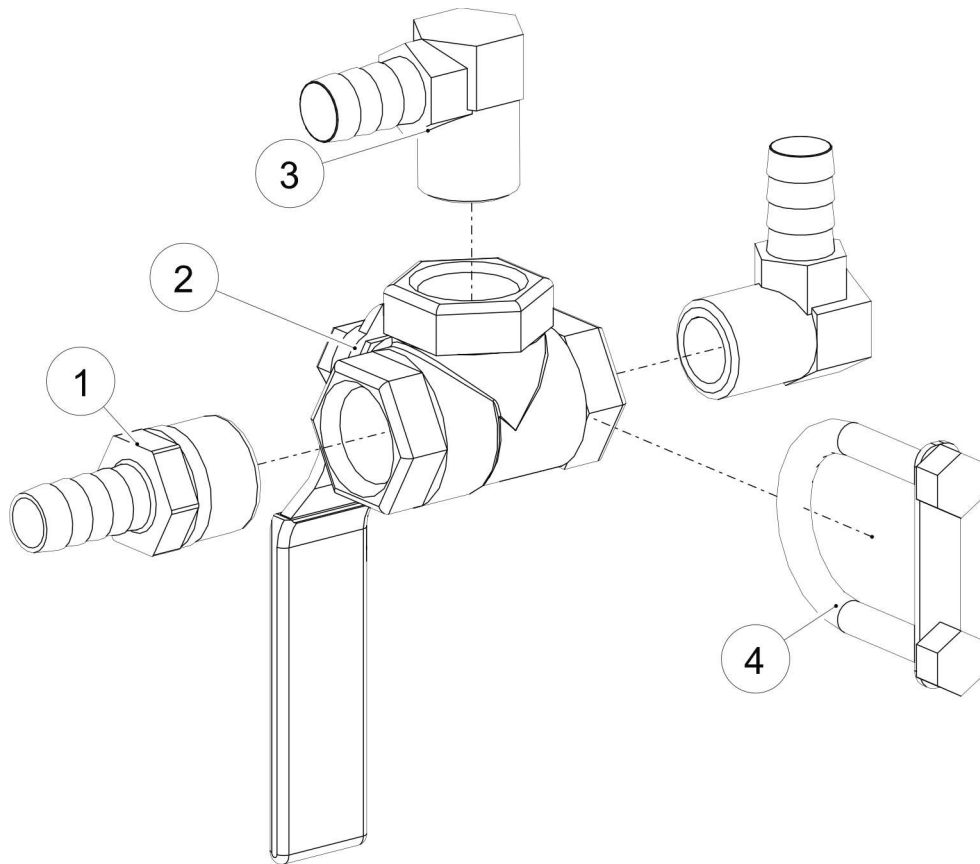
Utility Pump



**Central Mobile Enclosure
300 GTS Series
Utility Pump**

S/N: 153000 -
S/N: Current
PAGE: 2.1.14

Item No.	Part No.	Description	Qty.
1	012-901619	PUMP SHURFLO 2088-594-154	1
2	004-903244	BRKT MNT FILL PUMP PKG 300GTS	1
3	001-903234	U-BOLT SQ 3/8X2X3 UNC PLD CW NUTS/WSHRS	2
4	001-903259	SCRW MACH 10-24X1-1/2 PANHEAD	4
5	001-700805	NUT LKG 10-24 PLD	4
6	011-903230	ADPTR 1/2FNPSMX1/2FNPT SWVL	2
7	011-703048	ELB ST 1/2X90DEG BRS NPT	1
8	013-702634	HOSE 1/2 RED	12FT
9	011-702565	NIPL COMB 1/2NPTX1/2HB BRS	3
10	011-700115	VLV BALL 1/2 400WOG STD BRS CGA NPTF	1
11	011-901963	NIPL HEX RDCG 1/2MNPTX3/8MNPT BRS	1
12	011-900429	QC CPLR 3/8 BRS NPTF	1
13	004-903247	BRKT SPRT SW FILL PUMP PKG 300GTS	1
14	002-701359	SW TGL SPST 20A 125V SCRW TERM	1
15	002-704262	CONN STRN/RLF 1/2 .24-.47 CE/CSA	1
16	002-704247	CONNECTOR 1/2 90DEG FLEX NYL	1
17	002-703255	BOX ELEC 2IN WTHPRF DIE CAST AL 1/2IN HUB	1
18	002-702644	CABLE SJTOW 14/3 300V CSA	8FT
19	001-701609	SCRW MACH 6-32X1/2 RND HEAD	4

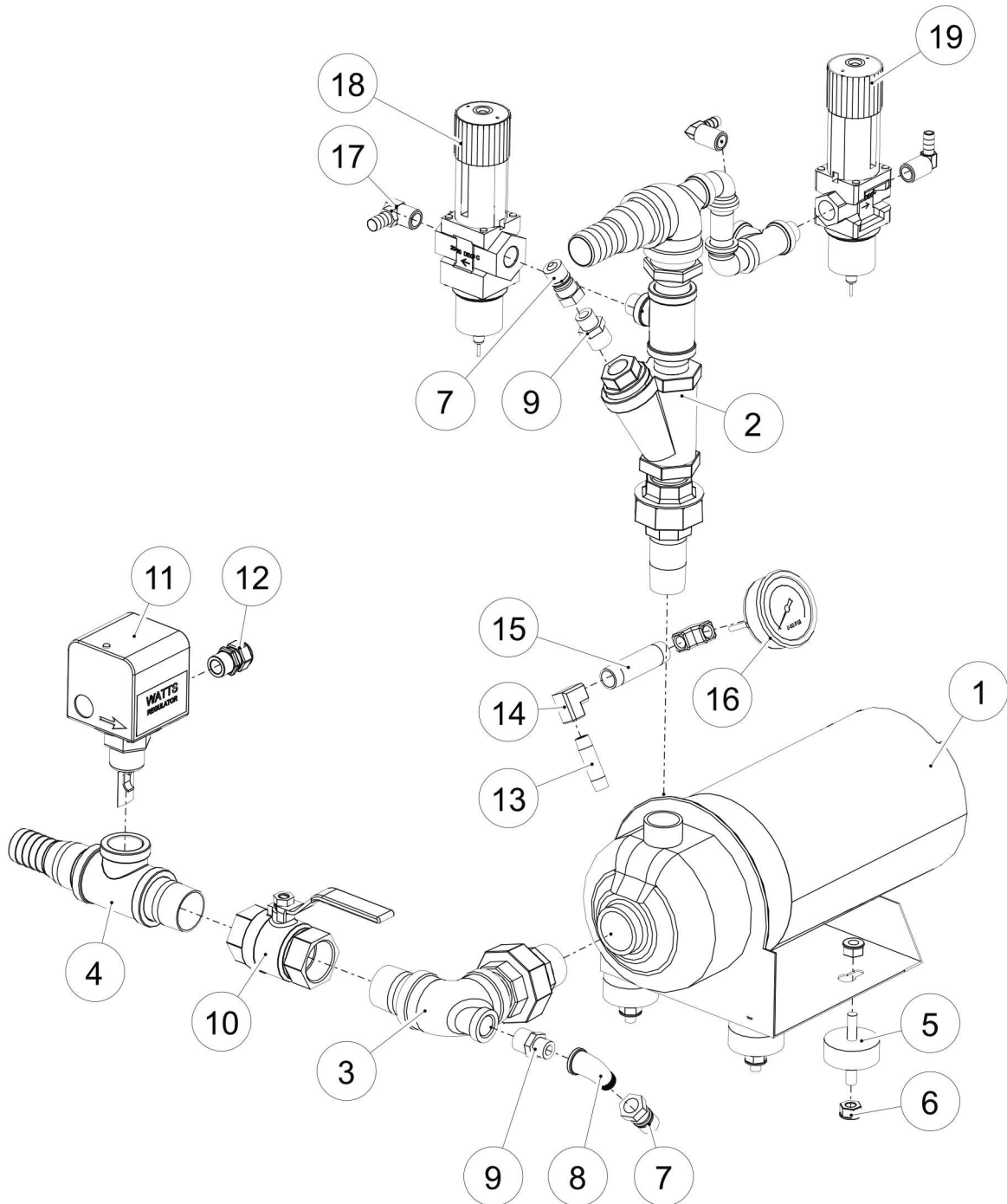




**Central Mobile Enclosure
300 GTS Series
Glycol Supply Valve**

S/N: 153000 -
S/N: Current
PAGE: 2.1.16

Item No.	Part No.	Description	Qty.
1	011-702565	NIPL COMB 1/2NPTX1/2HB BRS	1
2	011-702594	VLV 1/2 3-WAY BRS	1
3	011-704699	NIPL COMB 1/2NPTX1/2HB 90DEG BRS	2
4	001-902458	CLP MUF 1-1/8X2-1/4 UNC	1
		The following components may not be shown	
	001-700451	CABLE ACFT 7X7 1/16 GALV	2
	001-700450	SLEEVE OVAL 1/16 AL CABLE	2

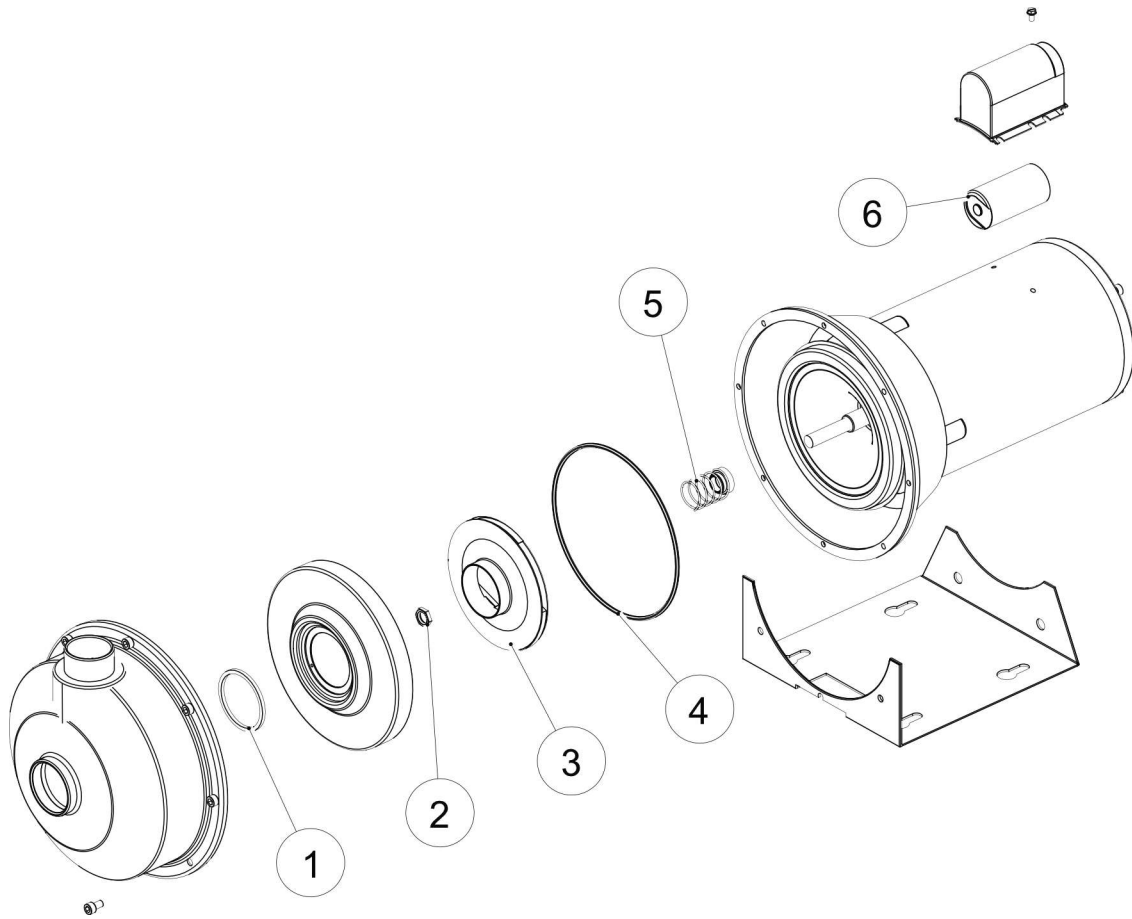




**Central Mobile Enclosure
300 GTS Series
Pump**

S/N: 153000 -
S/N: Current
PAGE: 2.1.18

Item No.	Part No.	Description	Qty.
1	012-800052	PUMP - see page 2.1.19	
2	018-901966	PKG PLMB PUMP OUTPUT MOD 2200	1
3	018-901965	PKG PLUM VLV TO PUMP INPUT SIDE MOD 2200	1
4	018-901964	PKG PLMB HT EXCHGR TO VLV INPUT SIDE MOD 2200	1
5	001-702461	MNT VIB NEOPRENE 3/8X1 THRD 2IN DIA X 3L	4
6	001-700721	NUT LKG NYL 3/8 UNC PLD	8
7	011-900428	QC NIPL 3/8 BRS NPTF	2
8	011-903224	ELB ST 3/8X90DEG BRS NPT	1
9	011-901963	NIPL HEX RDCG 1/2MNPTX3/8MNPT BRS	2
10	011-700178	VLV BALL 1-1/4 400WOG FL PT BRS CGA NPTF	1
11	006-700778	CNTRL FLOW MULT PADDLE	1
12	002-704262	CONN STRN/RLF 1/2 .24-.47 CE/CSA	1
13	011-703796	NIPL 1/4X2 BRS NPT	1
14	011-703792	ELB 1/4X90DEG EXTD BRS NPT	2
15	011-703797	NIPL 1/4X3 BRS NPT	1
16	005-703489	GAUGE PRESS 0-60PSI PNL 2-1/2IN WIKA	1
17	011-704699	NIPL COMB 1/2NPTX1/2HB 90DEG BRS	3
18	005-702506	VLV DANFOSS 1/2IN AVTB 15 20-60 DEG C TEMP RNG	1
19	005-702505	VLV DANFOSS 1/2IN AVTB 15 0-30 DEG C TEMP RNG	1





Central Mobile Enclosure 300 GTS Series Pump

S/N: 153000 -
S/N: Current
PAGE: 2.1.20

Item No.	Description	Part No.				
		012-800052 3/4 HP	012-800053 1 HP	012-905311 2 HP	012-800055 2 HP	012-702751 3 HP
1	SEAL RING GUIDEVANE G & L PUMP	006-703027	006-703008			
2	LOCKNUT IMPELLER G & L PUMP	006-703026				
3	IMPELLER G & L PUMP	006-703028	006-703029	006-703007	006-703030	006-703031
4	O-RING CASING G & L PUMP	006-703006				
5	SEAL MECH G & L PUMP	006-703005				
6A	CAPACITOR PUMP GOULDS	006-701171	006-702799	006-701171		006-703468
6B	CAPACITOR RUN PUMP GOULDS <small>CAPACITOR RATING: 60µF 370V</small>					006-906552
6C	CAPACITOR RUN PUMP GOULDS W/ NIDEC MOTOR <small>CAPACITOR RATING: 40µF 370V</small>					006-906922
6D	CAPACITOR START PUMP GOULDS W/ NIDEC MOTOR <small>CAPACITOR RATING: 233-280µF 165V</small>					006-906923
6E	CAPACITOR PUMP GOULDS W/ NIDEC MOTOR <small>CAPACITOR RATING: 189-227µF 110V</small>	006-906943				

REFER TO PUMP MOTOR NAME PLATE EXAMPLES PRIOR TO ORDERING CAPACITORS

NIDEC MOTOR NAME PLATE EXAMPLE

		CUST. NO. E09954BBS	
CAT. NO.	MODEL	INS F	AMB 40 °C PH 1 CODE E
TC63WCWB-1534			
TERMINALLY PROTECTED	AUTO	ENC	ODP
		FRAME	56J
		DUTY	CONT
		DATE CODE	
		PROT. CODE	00240

60 HZ DATA		50 HZ DATA	
3	HP	3	HP
3450	RPM	2850	RPM
208-230	VOLTS	220-230	VOLTS
14.0-13.0	F.L.A.	14.0-15.0	F.L.A.
1.15	S.F.	1.0	S.F.
16.0-14.0	S.F.A.	N/A	S.F.A.

MOTOR IS NON-REVERSIBLE
COW ROTATOR START END

SUPPLY CONNECTIONS USE WIRES SIZED
ON THE BASIS OF EFFICIENCY AND
RATED MINIMUM 50°C

CE IP22

SUITABLE FOR FIELD WIRING. USE COPPER CONDUCTORS ONLY

WARNING: MOTOR MUST BE GROUNDED IN ACCORDANCE WITH LOCAL AND NATIONAL ELECTRIC CODES. COMPONENT COVER MUST BE IN PLACE BEFORE OPERATING TO PREVENT ELECTRICAL SHOCK OR INJURY

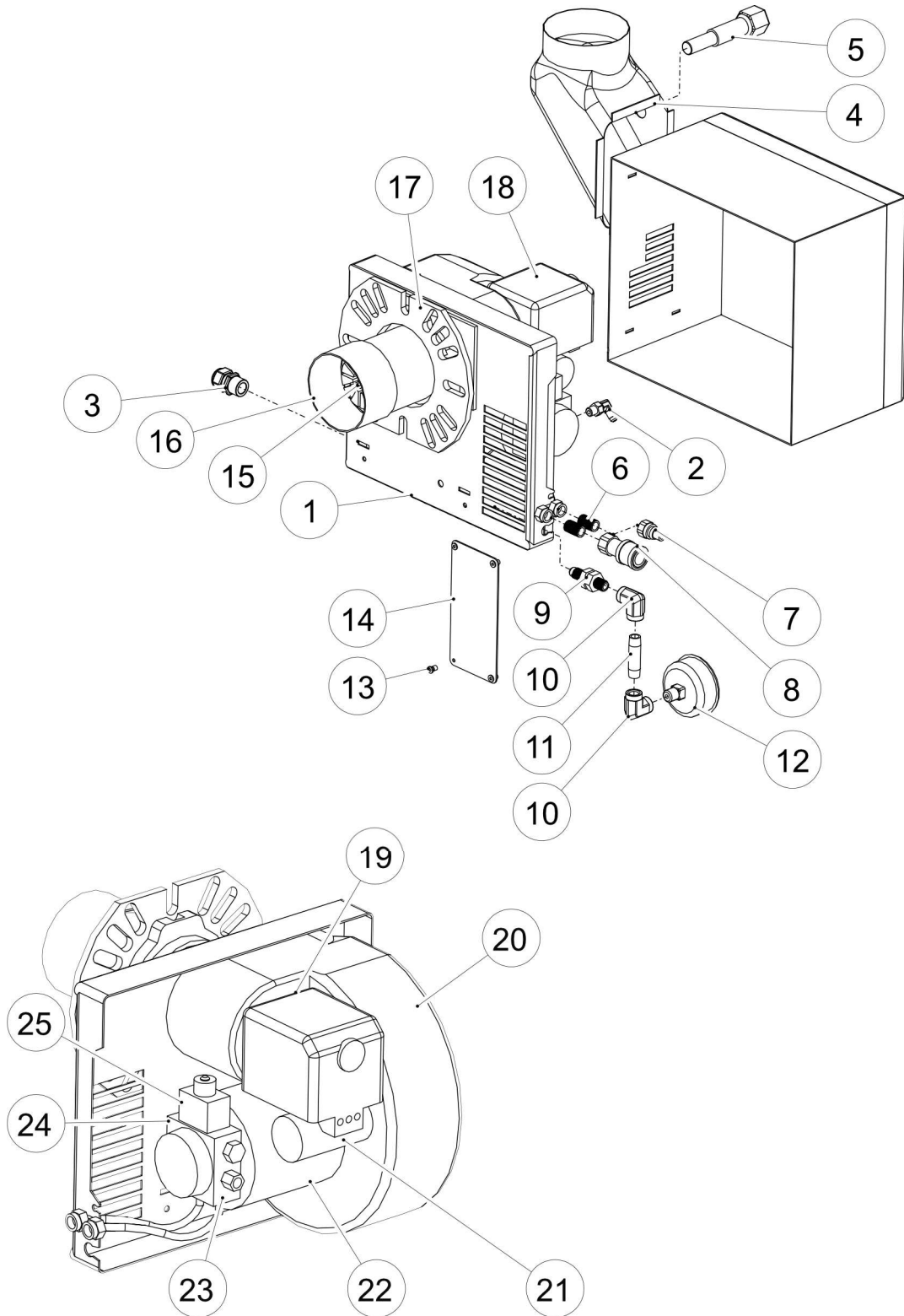
WEG, BLUFFTON MOTOR NAME PLATE EXAMPLE

		MAT 1530027 SERIAL 107319461	
HZ	60	HZ	50
V	115/208-230 V	V	115/230 V
HP	0.75	HP	0.75
RPM	3450	RPM	2875
FLA	9.2/4.6-4.6	FLA	12.2/6.1
SF	1.5	SF	1.00
SFA	12.0/6.5-6.0	SFA	
FR	56J	PH	1
INS	B	TEMP	40°C
ENC	DP	TYPE	U
CONT	CONT (S1)	REF	E05C12A1EB6G
INS	B	CAT	
ENC	DP		
CERT ID	4103007456		
DSN	22H0111 8		

WARNING: Always disconnect motor from power supply before servicing. Fatal shock may result if motor frame and adjacent metal are not grounded in compliance with electrical code.

THERMALLY PROTECTED AUTOMATIC RESET
Motor will restart without warning after protector trips. Do not install this motor on equipment where automatic startup could result in injury.

© 1979 241536

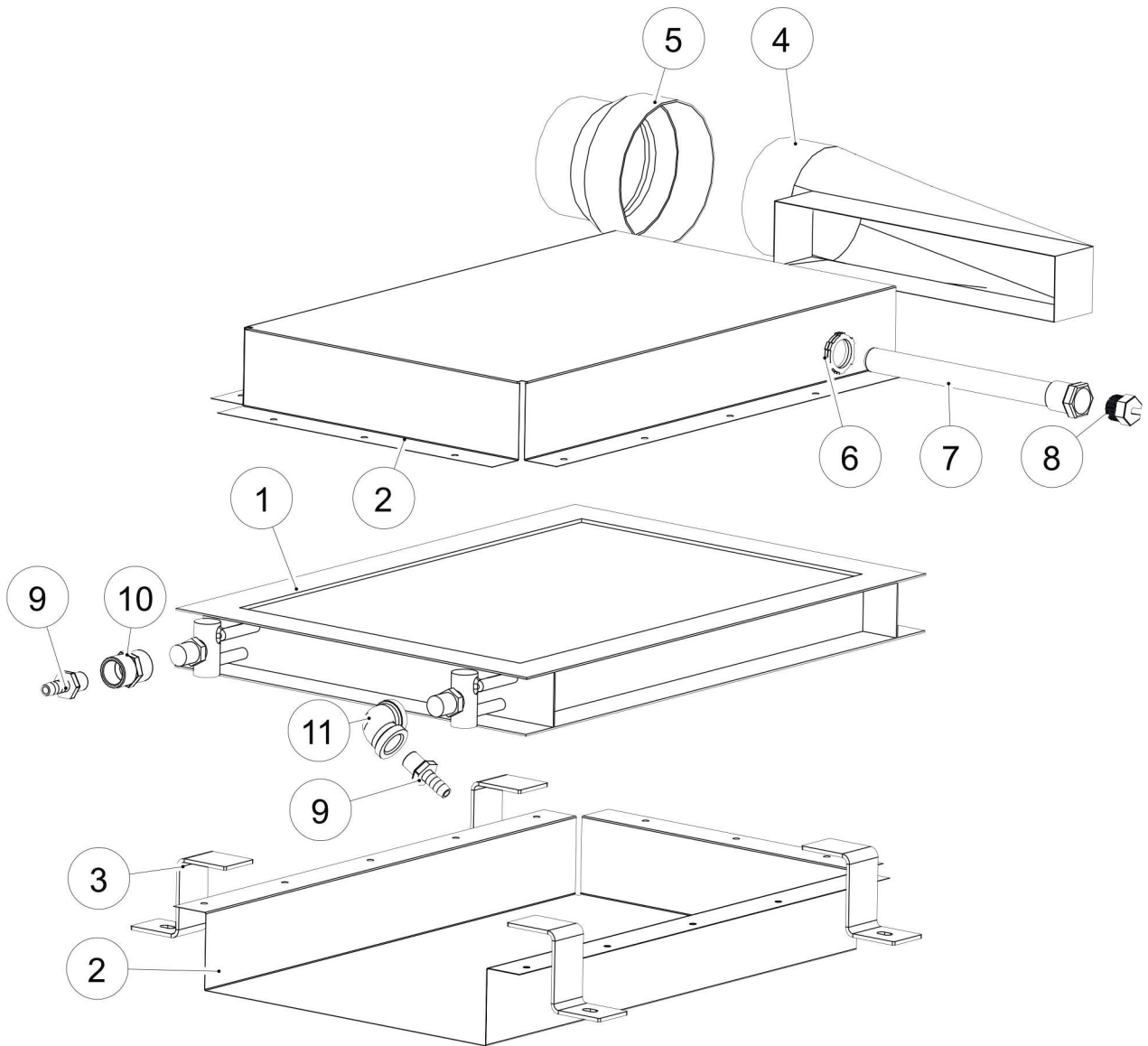




**Central Mobile Enclosure
300 GTS Series
Burner**

S/N: 153000 -
S/N: Current
PAGE: 2.1.22

Item No.	Part No.	Description	Qty.
	018-901973	PKG BURNER RIELLO F10 MOD 2200 <small>Includes 1-12, 14, 16, & Fuel Line)</small>	
1	012-900390	BURNER RIELLO 40-F10 FUEL OIL	1
	006-906339	CVR RIELLO F10 BURNER	1
2	011-702798	ADPTR 90DEG 1/8BSPP X 7/16JIC 37DEG FLARE	1
3	002-704262	CONN STRN/RLF 1/2 .24-.47 CE/CSA	1
4	004-901974	DUCT TOP TAKE OFF 4IN	1
5	005-702592	WELL THERM BRS 4-3/8IN .385 BORE 1/2IN NPT	1
6	011-703824	NIPL 1/4X1(CL) BRS NPT	2
7	011-703823	QC NIPL 1/4 STL PLD NPTF	1
8	011-703822	QC CPLR 1/4 STL PLD NPTF	1
9	011-703015	ADPTR BHD 1/4NPTX9/16JIC 37DEG FLARE	1
10	011-703016	ELB 1/4X90DEG PLD STEEL NPT	2
11	011-703796	NIPL 1/4X2 BRS NPT	1
12	005-702752	GAUGE PRESS 0-200PSI 1/4NPT 2-1/2FACE PNL MNT	1
13	001-901203	RIVET 5/32 GRP .126 -.250 SS	4
14	004-902912	PLT 16GA 3X6-1/4	1
15	011-900507	NOZZLE OIL-BNR W 1.75X60DEG	1
16	012-900391	BURNER-TUBE SHORT F10	1
17	006-902848	GSKT MNT RIELLO F10	1
18	006-702790	CNTRL PRIMARY RIELLO 40 F5/F20	1
19	006-902850	ELECTRODE ASSY 5IN RIELLO 40-F10	1
20	006-902845	FAN RIELLO F10	1
21	006-902849	CAPACITOR 12.5 UF RIELLO F10	1
22	006-902847	MOTOR RIELLO F10	1
23	006-702792	KEY PUMP DRIVE RIELLO 40-F5/F20	1
24	006-702793	PUMP RIELLO 40-F5/F15	1
25	006-702785	COIL OIL VLV RIELLO 40-F5/F20	1
		The following components may not be shown	
	006-702788	PHOTOCELL RIELLO 40-F5/F20	
	006-903842	PKG SERVICE RIELLO 40-F5/F10 FUEL OIL	
	001-700721	NUT LKG NYL 3/8 UNC PLD	4
	001-700742	WSHR FLT 5/16 PLD	8
	001-700803	RIVET 5/32 GRP .3125-.375 SS	4
	001-700804	BOLT 3/8X1 PLD GR5	4
	002-701131	LOCKNUT 1/2 STL CONDUIT	2
	004-704661	FUEL LINE 1/4X10IN #6/#4JICF 37DEG STR SWVL	1
	001-901990	CLP HOSE 4IN SLTD HEX HD	1

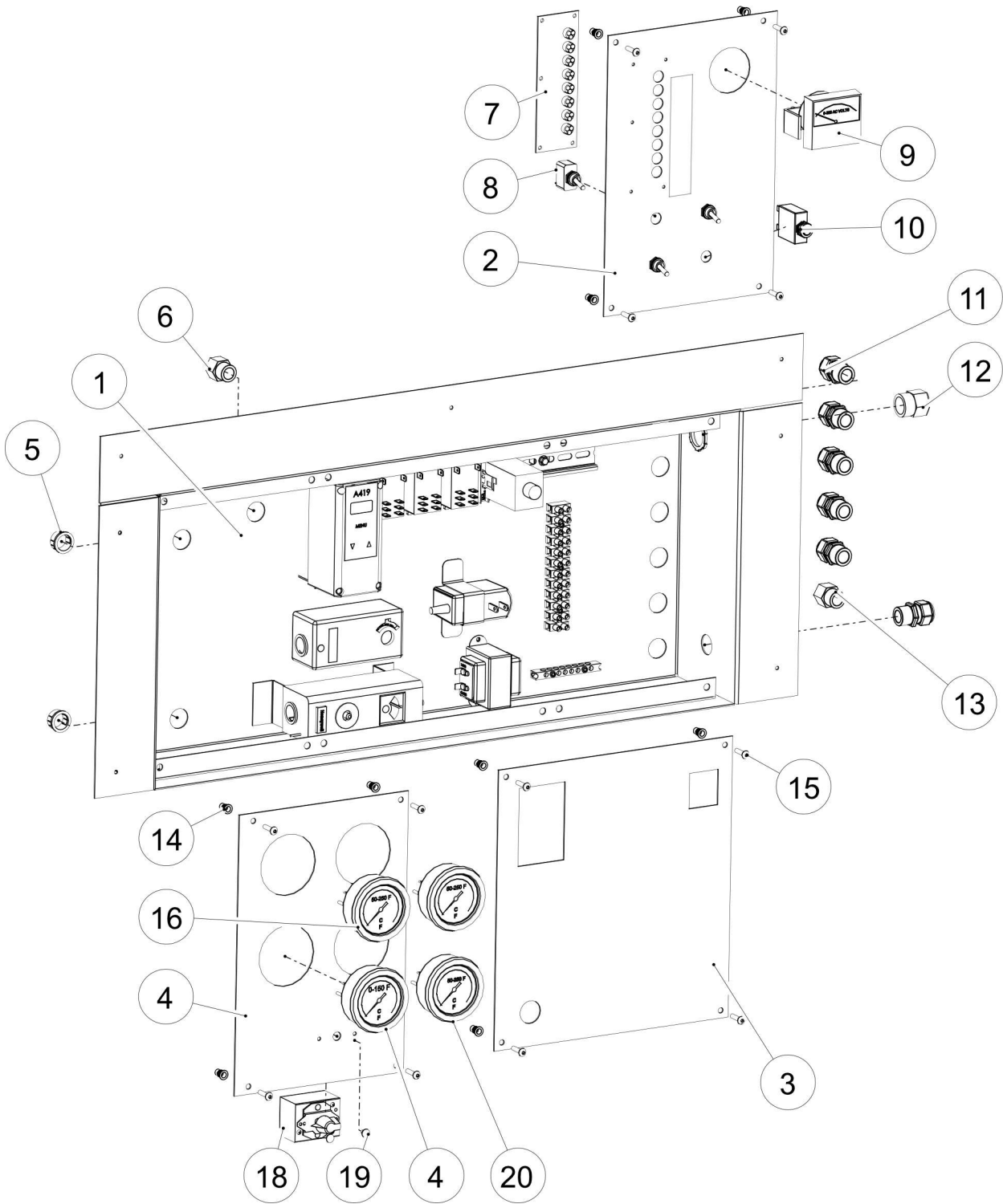




**Central Mobile Enclosure
300 GTS Series
Air Preheater**

S/N: 153000 -
S/N: Current
PAGE: 2.1.24

Item No.	Part No.	Description	Qty.
1	012-702504	COIL AIR PREHEAT 12X18X2 ROW-8 FPI 1/2IN MPT	1
2	004-901948	PLENUM AIR PRE-HTR MOD 2200	2
3	004-901952	MNT SUPPORT AIR PRE-HTR	4
4	004-901950	END BOOT AIR PRE-HTR MOD 2200	1
5	004-901951	RDCR AIR DUCT 5X4	1
6	002-701133	LOCKNUT 3/4 STL CONDUIT	2
7	005-700204	WELL F/AVTA/B 3/4 BRS BULB	1
8	005-702757	NUT SPLIT WELLCAP 3/4FINE THREAD	1
9	011-702563	NIPL COMB 1/2NPTX3/8HB BRS	2
10	011-704106	CPLG 1/2NPT BRS	1
11	011-702608	ELB 1/2X90DEG BRS NPTF	1
		The following components may not be shown	
	001-700236	SCRW D/T 10-24X3/4 5/16 HEX HD	30
	001-700237	SCRW D/T 10-24X1 5/16HEX HD PLD	4
	001-700630	SCRW D/T 10-16X1/2 5/16HEX HD PLD	6
	001-901990	CLP HOSE 4IN SLTD HEX HD	1

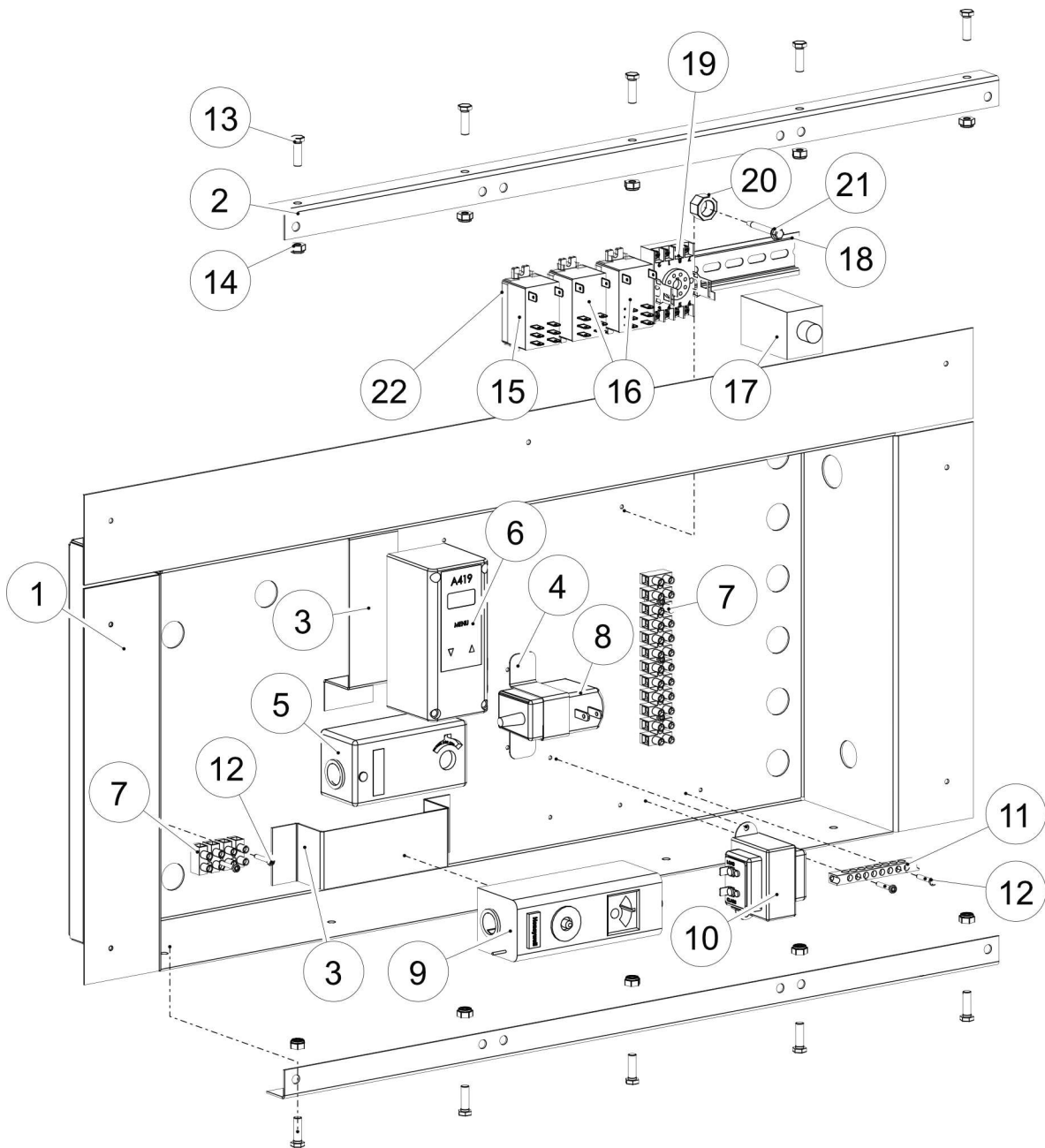




**Central Mobile Enclosure
300 GTS Series
Control Panel**

S/N: 153000 -
S/N: Current
PAGE: 2.1.26

Item No.	Part No.	Description	Qty.
1		CONTROL PANEL INTERNALS - see page 2.1.27	
2	004-902222	R-FPLT CTRL PNL GTS300 STD	1
3	004-902221	C-FPLT CTRL PNL GTS300 STD	1
4	004-902220	L-FPLT CTRL PNL GTS300 STD	1
5	002-701115	BSHG KO 1/2	2
6	002-704386	CONN STR/RLF 1/2NPT .2-.24 2 CABLES	1
7	005-702514	BOARD LED 6GRN-110V 2RED-24V	1
8	002-703616	SWITCH TGL SPST 20A 125V 1/4 SPADE TERM	3
9	005-702512 006-703482	GAUGE VOLT PNL 0-300V RESISTOR RCD K3-261 10W 27 KJ	1
10	002-704294	BRKR CKT 20A PUSH TO RESET	1
11	002-704262	CONN STRN/RLF 1/2 .24-.47 CE/CSA	6
12	002-703184	CONNECTOR STRN/RLF 3/4 .438-.562 CABLE RNG	1
13	002-704794	CONN STRN/RLF 1/2 WITH 3-.22 HOLES CE/CSA	1
14	001-704560	INSERT THD 10-24 RND BODY	12
15	001-900439	SCRW MACH 10-24X3/4 SS UNC BTN-HD 1/8HEX-DR	12
16	005-701073	GAUGE TEMP 60IN CPLRY 40-240DEG F WIKA	2
17	005-702509	GAUGE TEMP 60IN CPLRY 0-150 DEG F	1
18A	006-701532	HI-LIMIT G1-11452 (1223)	1
18B	006-904930	KNOB HI LIMIT PLASTIC 1-1/4 HEAD 8-32 SET SCREW	1
19	001-900779	SCRW MACH 8-32X1/4 PANHEAD	2
20	005-702510	GAUGE TEMP 96IN CPLRY 40-240 DEG F WIKA	1

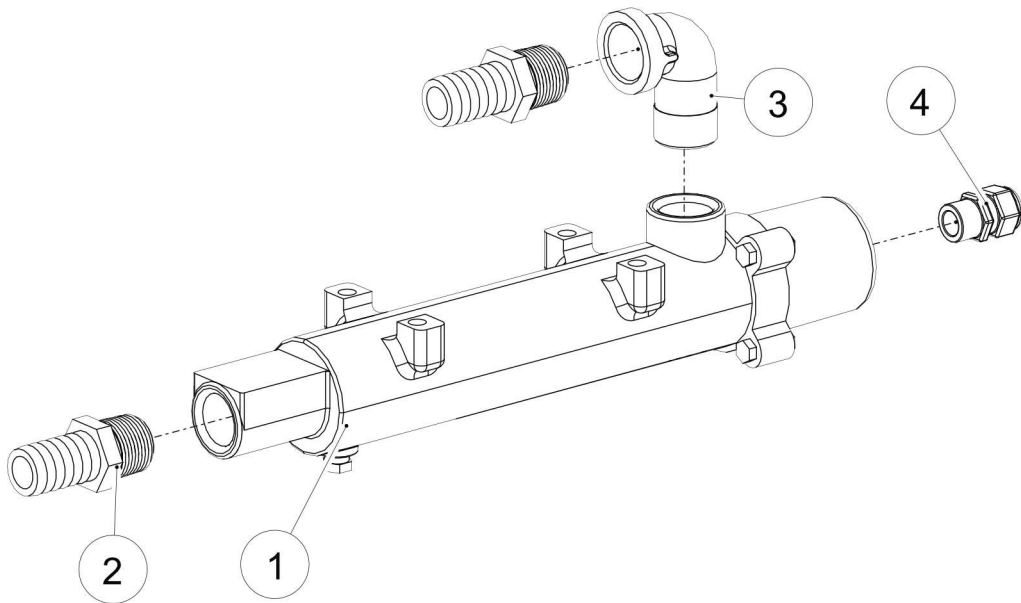




**Central Mobile Enclosure
300 GTS Series
Control Panel**

S/N: 153000 -
S/N: Current
PAGE: 2.1.28

Item No.	Part No.	Description	Qty.
1	004-902216	CTRL PNL ENC GTS300 STD	1
2	004-900579	FLG INTL CNTR-PNL-MT	2
3	004-902218	BRKT RISER CTRL PNL GTS300 STD	2
4	004-902219	BRKT MNT 12VDC XFMR FLUSH-MOUNT	1
	004-906027	BRKT MNT 12VDC XFMR FLUSH-MNT 1-15/16 L <small>Used with 002-903025)</small>	1
5	005-703464	CONT TEMP JOHNSON (25-225F) SPDT	1
6	005-903333 <small>018-903385</small>	CONT TEMP A421ABC-02C -40 TO 212F <small>If replacing CONT TEMP A419 use Part No. 018-903385</small>	1
7	002-704558	TERM STRP LGE 12 POLE 5-1/2L .472 SPACING	1
8	002-903025	XFMR 120VAC/12VDC 2000MA	1
9	006-702140	CNTRL HI LIMIT MAN RESET	1
10	006-701213	XFMR 40VA 120V 60HZ 24V CLASS 2	1
11	002-900417	BAR GND 9-TERM W-NUTS	1
12	001-702953	SCRW SH MET #6X3/4 PAN HD	6
13	001-701482	BOLT 1/4X3/4 PLD GR5	10
14	001-700042	NUT LKG NYL 1/4 UNC PLD	10
15	002-901417	RELAY 120V DPDT FINDER 66.82	1
16	002-900394	RELAY 24V DPDT 7500VAC NO 2500VAC NC	2
17	005-900673	TIMER ELEC 8 PIN ADJ RCYCL IDEC RTE-P1AF20	1
18	017-704383	RAIL DIN MOUNTING	1
19	005-900674	SOCKET 8 PIN DIN/SURFACE MNT SCREW TERM	1
20	001-700953	NUT 1/2 PLD	2
21	001-700948	SCRW D/T 10-24X1-1/2 5/16HEX HD	2
22	002-901418	MNT DIN ADPT 62 RELAY (FINDER 066.07)	3
		The following components may not be shown	
	005-900675	CLP HOLD DOWN ELEC TIMER	2
	005-906611	SNSR TEMP JOHNSON A99BB-200C <small>Replacement sensor only</small>	1

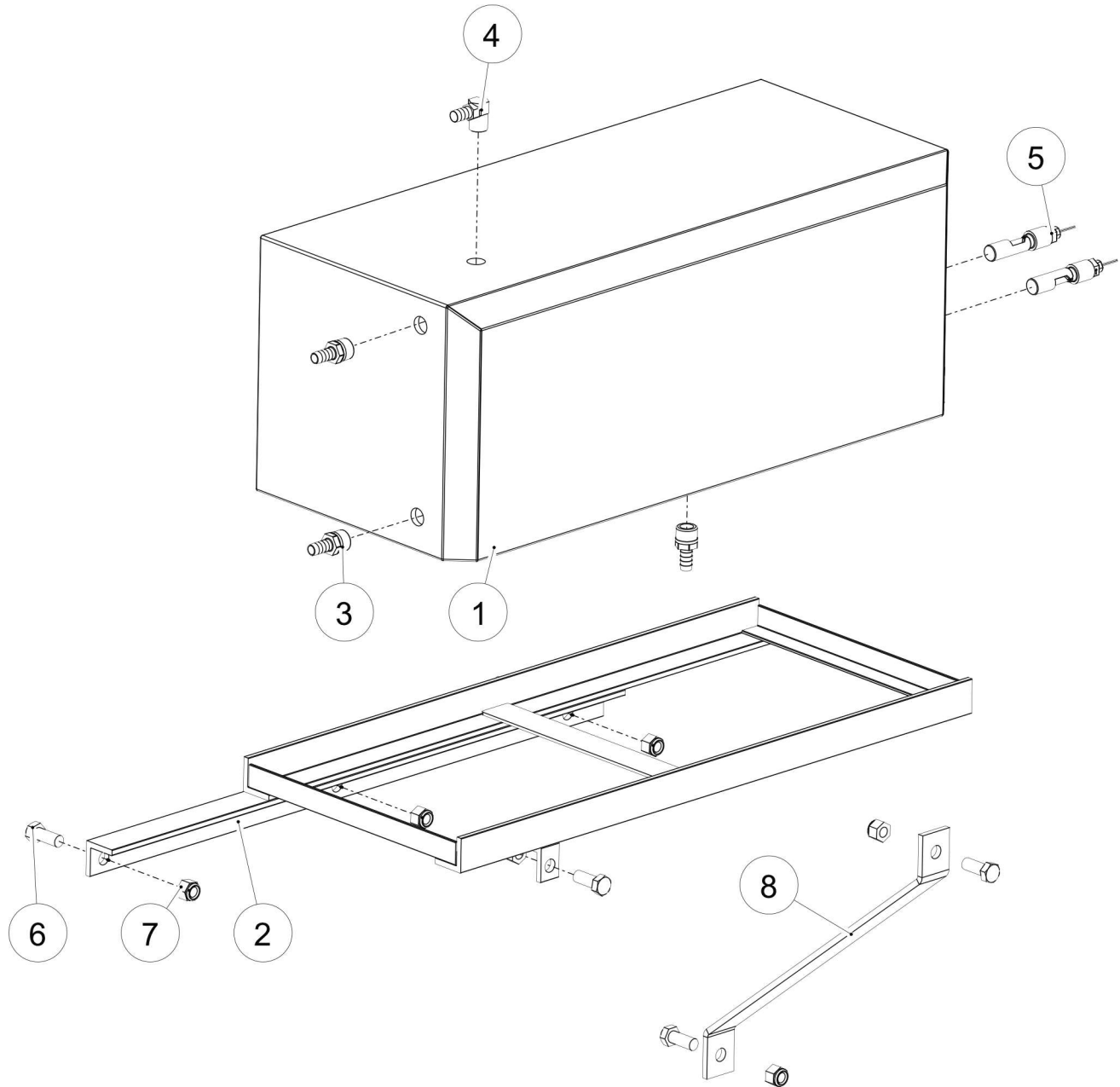




**Central Mobile Enclosure
300 GTS Series
Glycol Preheater**

S/N: 153000 -
S/N: Current
PAGE: 2.1.30

Item No.	Part No.	Description	Qty.
1	012-900791	HEATER CRCLT 1500W 120V	1
2	011-702153	NIPL COMB 1*1 BRS ADPTR	2
3	011-702415	ELB ST 1X90DEG BRS NPT	1
4	002-704262	CONN STRN/RLF 1/2 .24-.47 CE/CSA	1
		The following components may not be shown	
	006-902213	ELEMENT HEATER CRCLT 1500W 120V	1

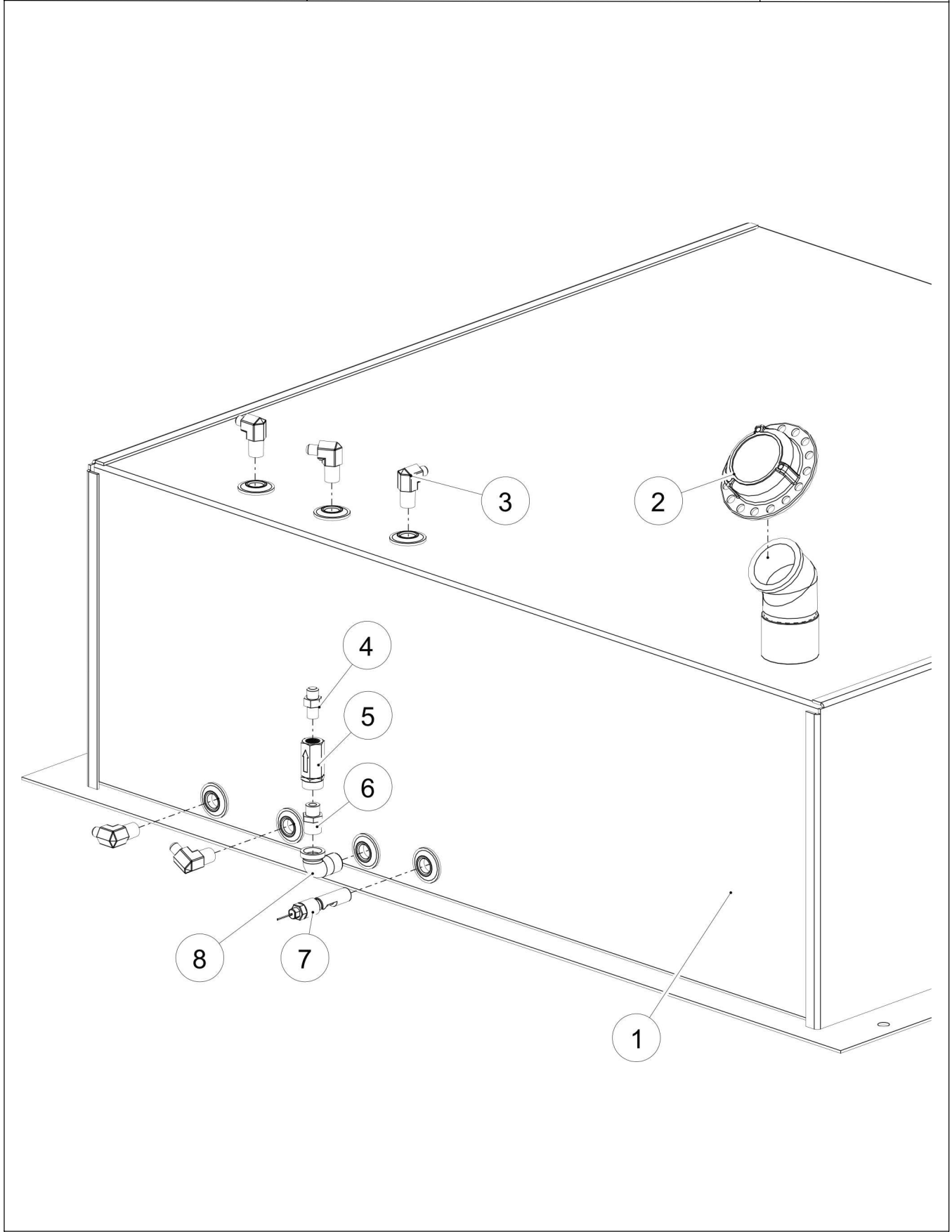




**Central Mobile Enclosure
300 GTS Series
Glycol Tank**

S/N: 163201 -
S/N: Current
PAGE: 2.1.32

Item No.	Part No.	Description	Qty.
1	012-901943	TANK GLY PEX GTS300	1
2	004-902926	FRAME GLY TANK WELD GTS300	1
3	011-702565	NIPL COMB 1/2NPTX1/2HB BRS	3
4	011-704699	NIPL COMB 1/2NPTX1/2HB 90DEG BRS	1
5	002-702012	SW-FLOAT FSH-31	2
6	001-700472	BOLT 1/2X1-1/4 PLD GR5	6
7	001-701606	NUT LKG NYL 1/2 UNC PLD	6
8	004-902917	SUPPORT BAR 1/4X1-1/2 CW HOLES	1
		The following components may not be shown	
	001-902955	TIE STRAP 1IN CW MNT PLT 48L	2

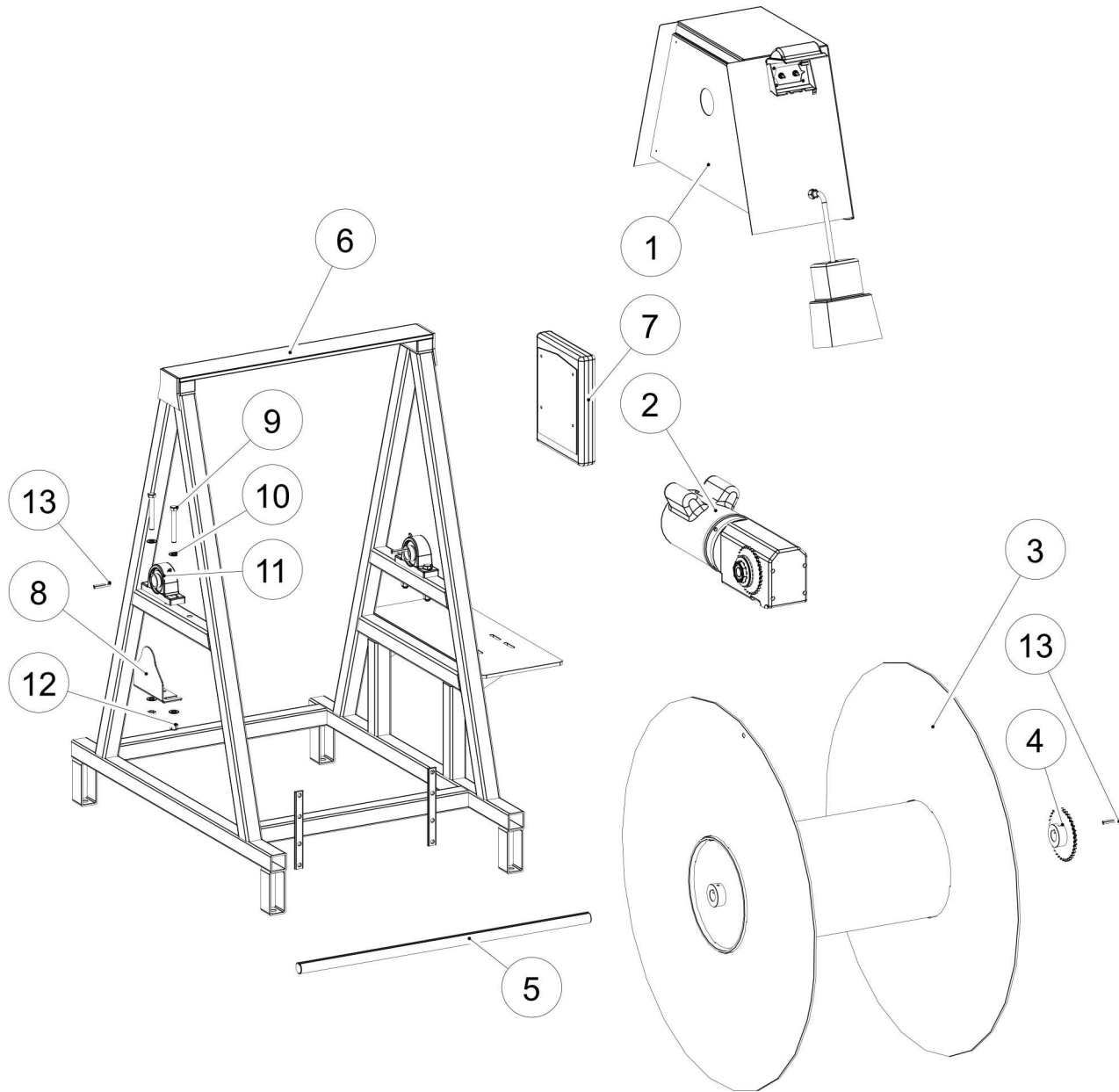




**Central Mobile Enclosure
300 GTS Series
Fuel Tank**

S/N: 153000 -
S/N: Current
PAGE: 3.1.2

Item No.	Part No.	Description	Qty.
1	004-905165	TANK FUEL WELDMENT 400GTS	1
2	011-703500	CAP 2IN MPT NON-SPILL PRESS/VAC RLF GALV ^(SN 161201-Current)	1
3	011-900602	ADPTR 90ELB 3/8MJIC 37X1/2 MPT STL	5
4	011-900819	ADPTR 3/8NPT X #6JIC MALE	1
5	011-904006	VLV CHECK 3/8 NPT FEM BRS FUEL .5PSI OPEN PRESS	1
6	011-901963	NIPL HEX RDCG 1/2MNPTX3/8MNPT BRS	1
7	002-702012	SW-FLOAT FSH-31	1
8	011-703048	ELB ST 1/2X90DEG BRS NPT	1

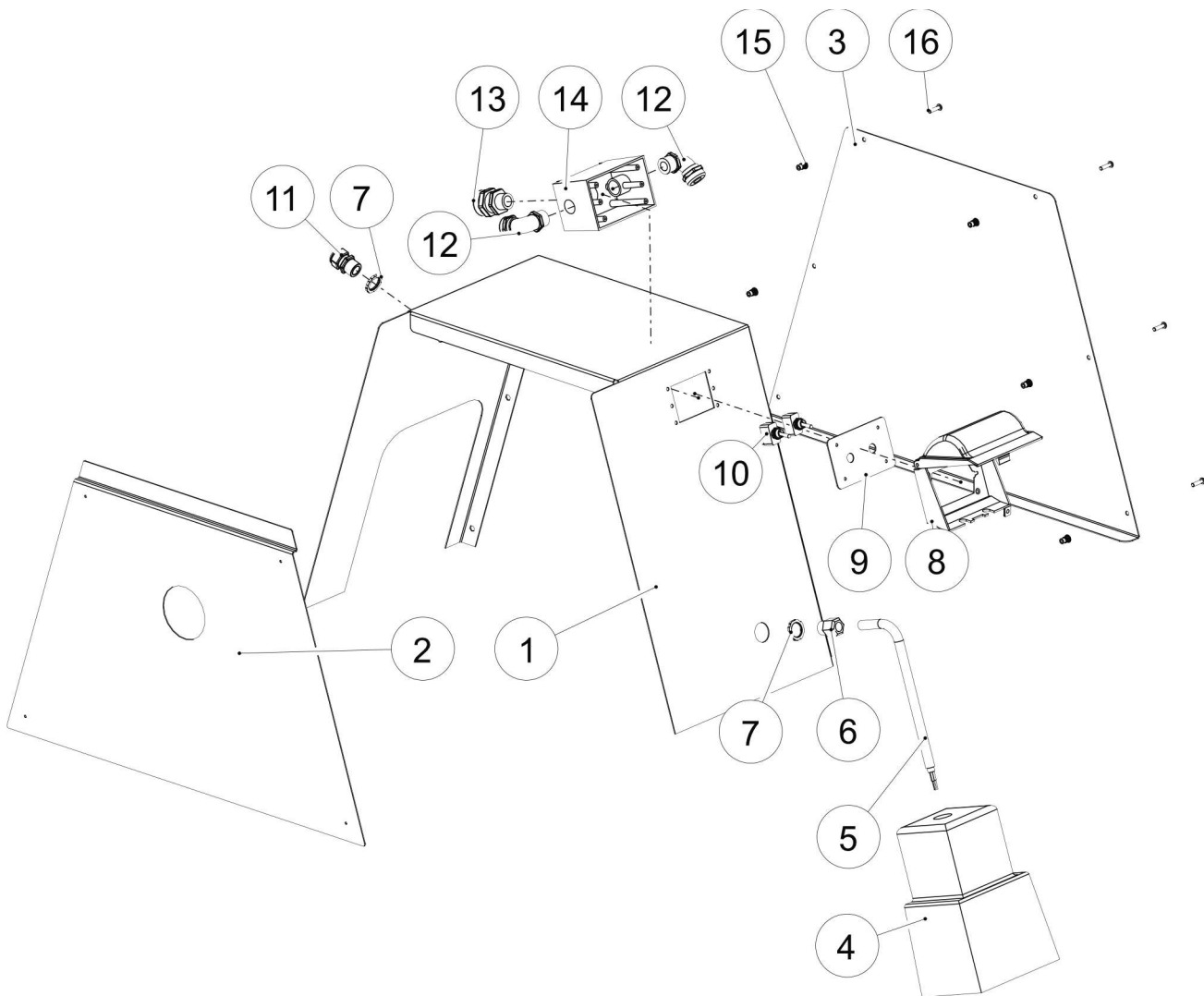




**Central Mobile Enclosure
300 GTS Series
HR300 GTS**

S/N: 1530-00 -
S/N: Current
PAGE: 4.1.2

Item No.	Part No.	Description	Qty.
1		SHIELD - see page 4.1.3	
2		HOSE REEL DRIVE - see page 4.1.5	
3	004-901898	SPOOL HOSE REEL GTS300	1
4	004-703572	SPRKT 36T #40 CHAIN 1-1/4 WELD-ON HUB	1
5	004-901902	SHAFT CR 1-1/4X36L W-KEYWAY GTS300	1
6	004-901893	HOSE REEL FRAME GTS300	1
7	016-702616	CASE OPR MNL MANUAL-PAK	1
8	004-703607	SHLD SHAFT/BRG MOD 2250-HR	1
9	001-702159	BOLT 1/2X3-3/4 UNC PLD	4
10	001-700110	WSHR FLT 1/2 SAE PLD	16
11	017-703610	BRG PLBLK 1-1/4 DUCTILE HSG	2
12	001-701606	NUT LKG NYL 1/2 UNC PLD	4
13	004-703614	KEY 1/4X1/4 2L	3
		The following components may not be shown	
	004-900491	TBG 4X4X.188W 3-1/8L C/W HOLE	4
	017-701326	CHAIN ROLLER #40	2-1/2FT
	017-701329	LINK OFFSET DF #40	1
	017-701592	CONNECTOR CHAIN LINK #40	1
	001-700476	BOLT 1/2X3 PLD GR5	4
	001-700953	NUT 1/2 PLD	4
	001-900743	BOLT 1/2X9 PLD GR5	4

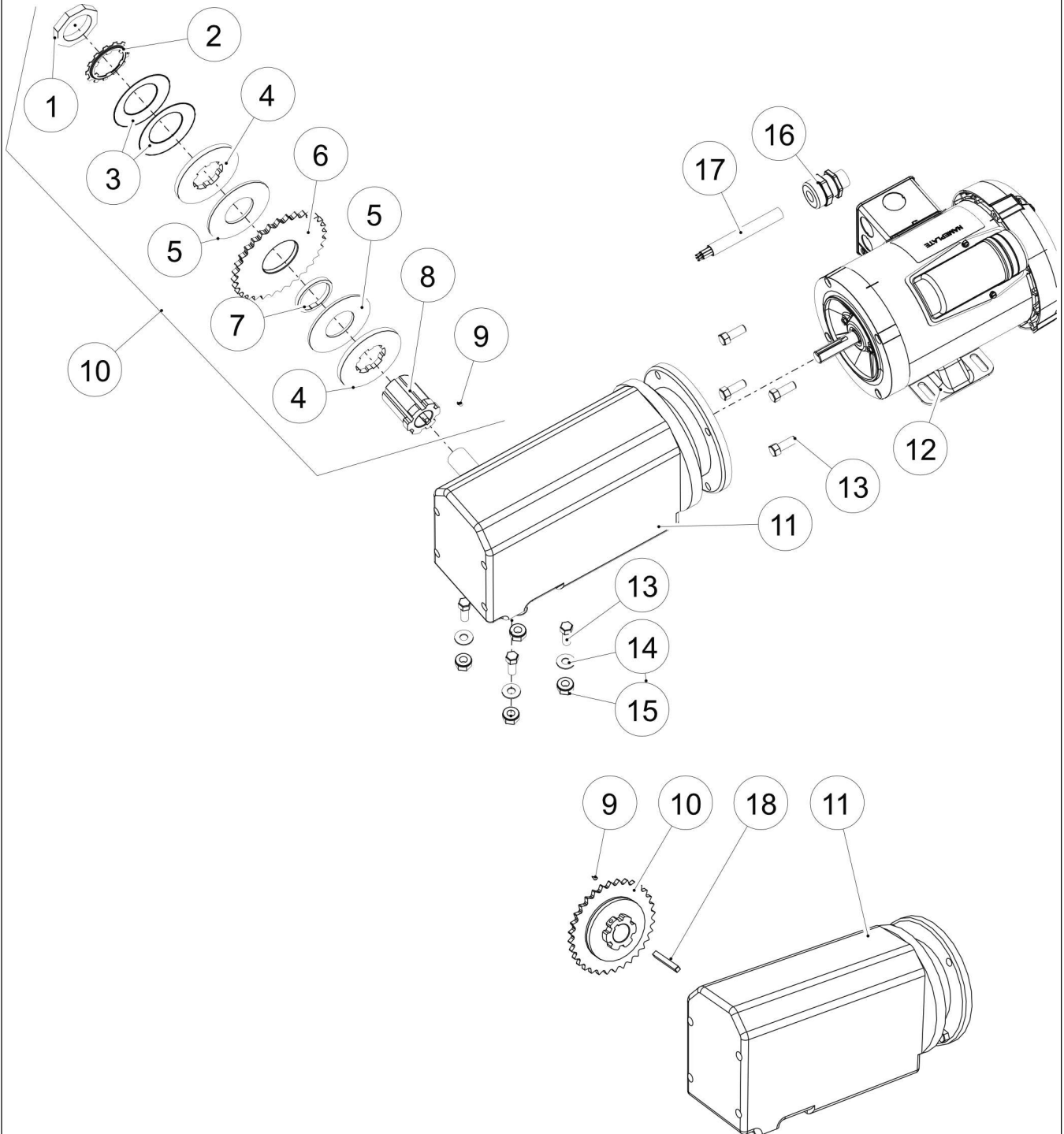




**Central Mobile Enclosure
300 GTS Series
HR300 GTS Shield**

S/N: 1530-00 -
S/N: Current
PAGE: 4.1.4

Item No.	Part No.	Description	Qty.
	018-703244	PKG FOOT CONT HOSE REEL-II (Includes 4-7)	1
1	004-901903	SHLD MAIN HOSE REEL GTS300	1
2	004-703606	SHLD REAR MOD 2250-HR R03	1
3	004-703605	SHLD FRT ACS MOD 2250-HR	1
4	012-701568	SW FOOT MOD HR6000	1
5	002-702644	CABLE SJTOW 14/3 300V CSA	6 FT
6	002-700810	CONNECTOR STRN/RLF 1/2 .500-.562 CABLE RNG	1
7	002-701131	LOCKNUT 1/2 STL CONDUIT	2
8	002-703185 018-906946	COV ELEC WTHPRF HORIZ SGL GANG (OBSOLETE) PKG RETRO SW CVR HR 2250 (REPLACEMENT PACKAGE)	1
9	004-703562	PLT TGL SW MNT MOD 2250-HR	1
10	002-703616	SWITCH TGL SPST 20A 125V 1/4 SPADE TERM	2
11	002-704262	CONN STRN/RLF 1/2 .24-.47 CE/CSA	1
12	002-703566	CONNECTOR STRN/RLF 1/2X90DEG .500-.562 CABLE RNG	2
13	002-703567	CONNECTOR STRN/RLF 1/2 .625-.750 CABLE RNG	1
14	002-703596	BOX ELEC 2-5/8IN WTHPRF DIE-CAST AL 1/2IN HUB	1
15	001-704560	INSERT THD 10-24 RND BODY	6
16	001-701484	SCRW MACH 10-24X3/4 PANHEAD	6

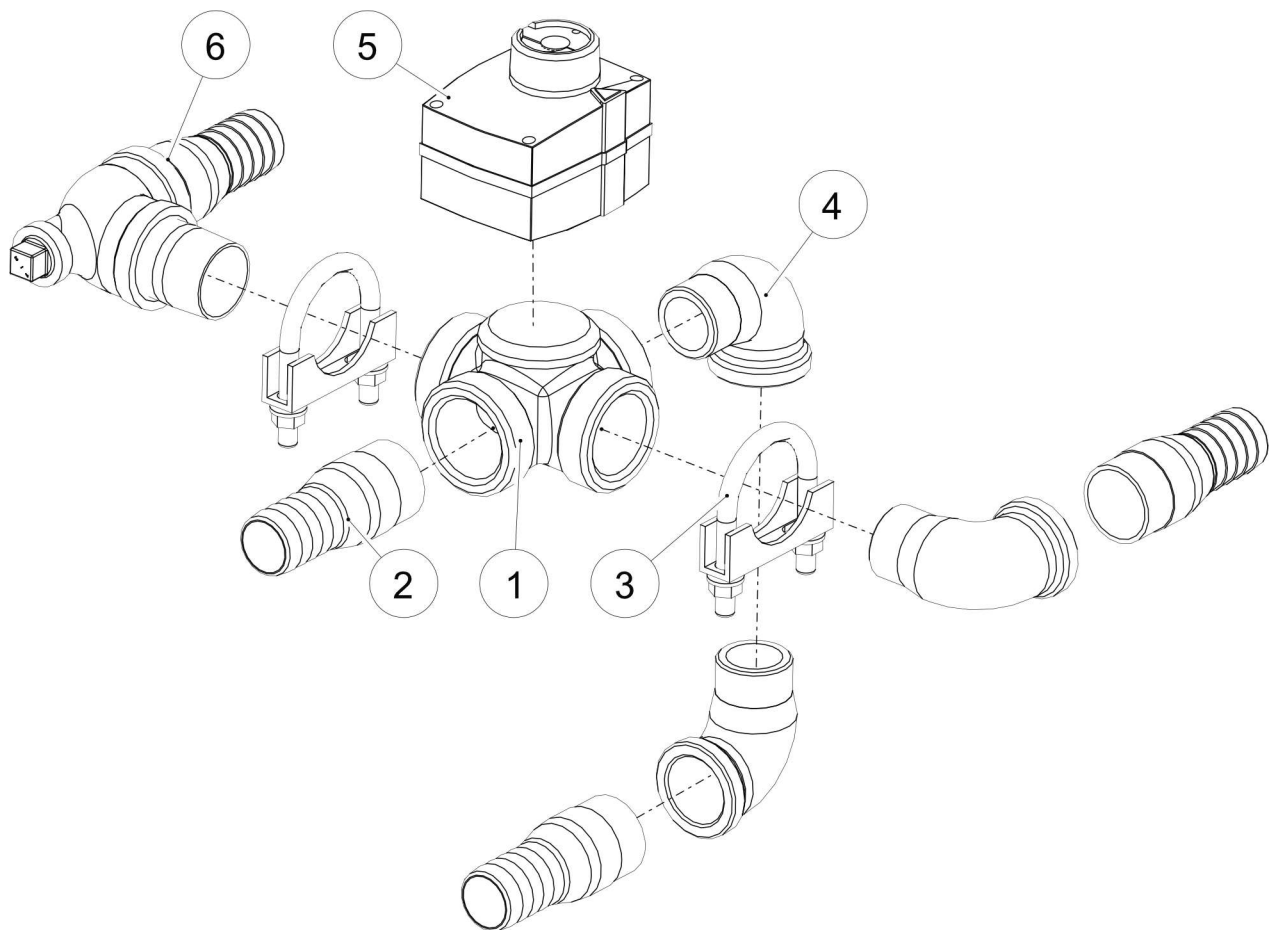




**Central Mobile Enclosure
300 GTS Series
Hose Reel Drive**

S/N: 1530-00 -
S/N: Current
PAGE: 4.1.6

Item No.	Part No.	Description	Qty.
1	006-702374	NUT ADJ TRQ LMTR	1
2	006-702373	WSHR LOCK TRQ LMTR	1
3	017-702168	SPR DBL TRQ LMTR 60-190	2
4	006-702375	PRESSURE PLT TRQ LMTR	2
5	006-702377	DISC SET TRQ LMTR	2
6	017-702170	SPRKT 32T #40 CHAIN - MEETS TRQ LMTR SPEC	1
7	017-702169	BSHG TRQ LMTR	1
8	006-703978	HUB 1IN TRQ LMTR	1
9	006-702378	SCRW SET 1/4-20X1/4 TRQ LMTR	1
10	012-703570	TRQ LMTR ASSY 1 SHAFT DBL SPR 60-190 FTLB	1
11	012-704788	GEARBOX HLCL WORM 102:1 RT ANG 2.5IN L SHAFT	1
12	012-703488	MOTOR ELEC 3/4HP 115/208-230V 1725RPM TEFC	1
13	001-700804	BOLT 3/8X1 PLD GR5	8
14	001-700719	WSHR FLT 3/8 PLD	4
15	001-700721	NUT LKG NYL 3/8 UNC PLD	4
16	002-703567	CONNECTOR STRN/RLF 1/2 .625-.750 CABLE RNG	1
17	002-703561	CABLE SOW14/7 NPRN CABTIRE	1
18	004-703614	KEY 1/4X1/4 2L	1
		The following components may not be shown	
	006-903226	CAPACITOR 540-648UF 110/125VAC HR2250 3/4HP MOTOR	

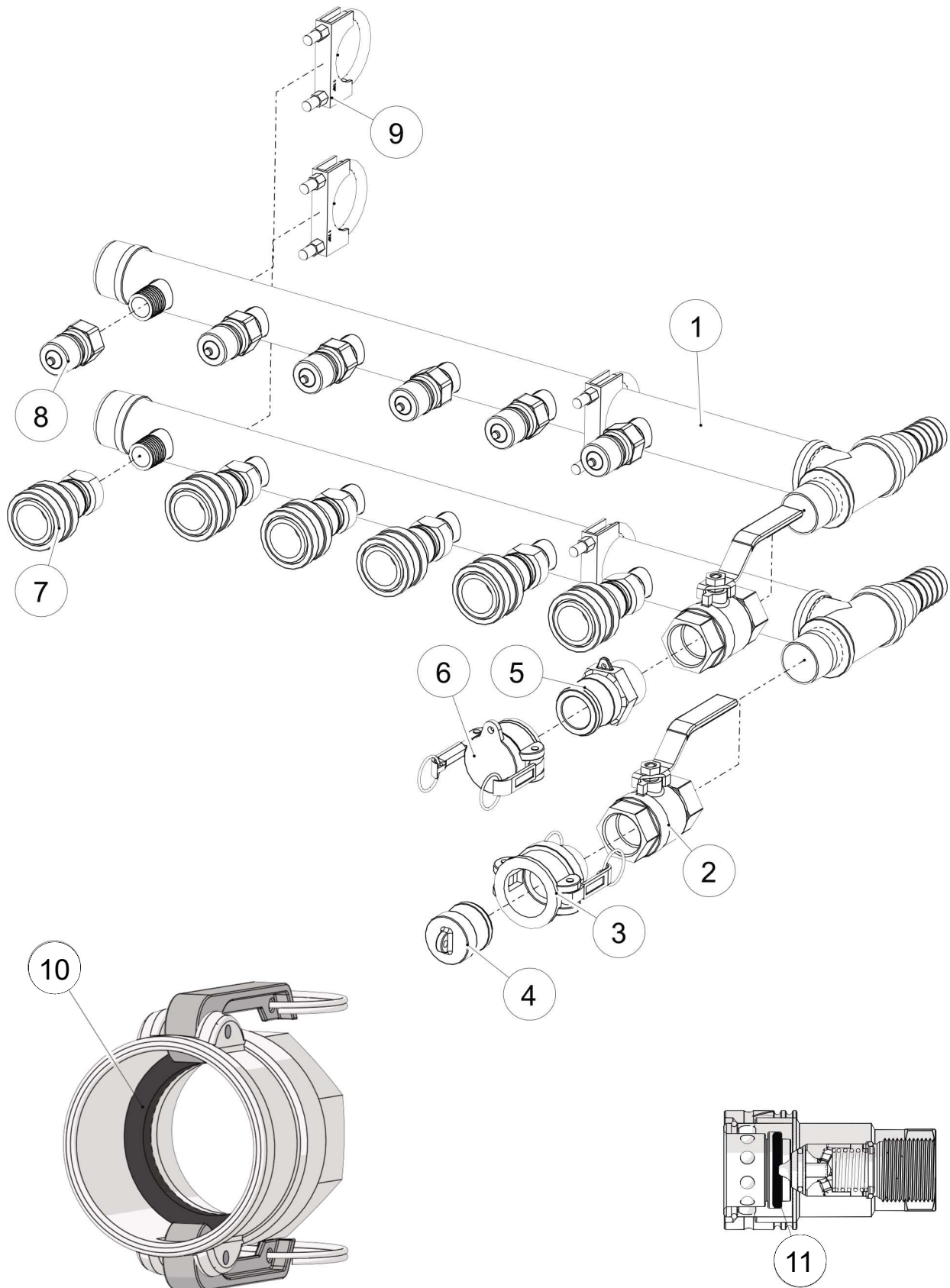




**Central Mobile Enclosure
300 GTS Series
Flow Reverser**

S/N: 153000 -
S/N: Current
PAGE: 5.1.2

Item No.	Part No.	Description	Qty.
1	011-901968	VLV 1-1/4 4WAY ESBE	1
2	011-901971	NIPL COMB 1-1/4NPTX1-1/4HB BRS	3
	018-906496	PKG PLMB 1-1/4IN ELB HB	3
3	001-700622	CLP MUF 1-7/8X3/8 BOLT ZINC PLD	2
4	011-901970	ELB ST 1-1/4NPT 90DEG BRS	3
5	005-704062	ACTUATOR MOTOR ESBE MODEL ARA 600	1
6	018-901969	PKG FLOW REV RETURN GTS300	1
		Call Dryair for compatible painted fittings if brass fittings are not available.	



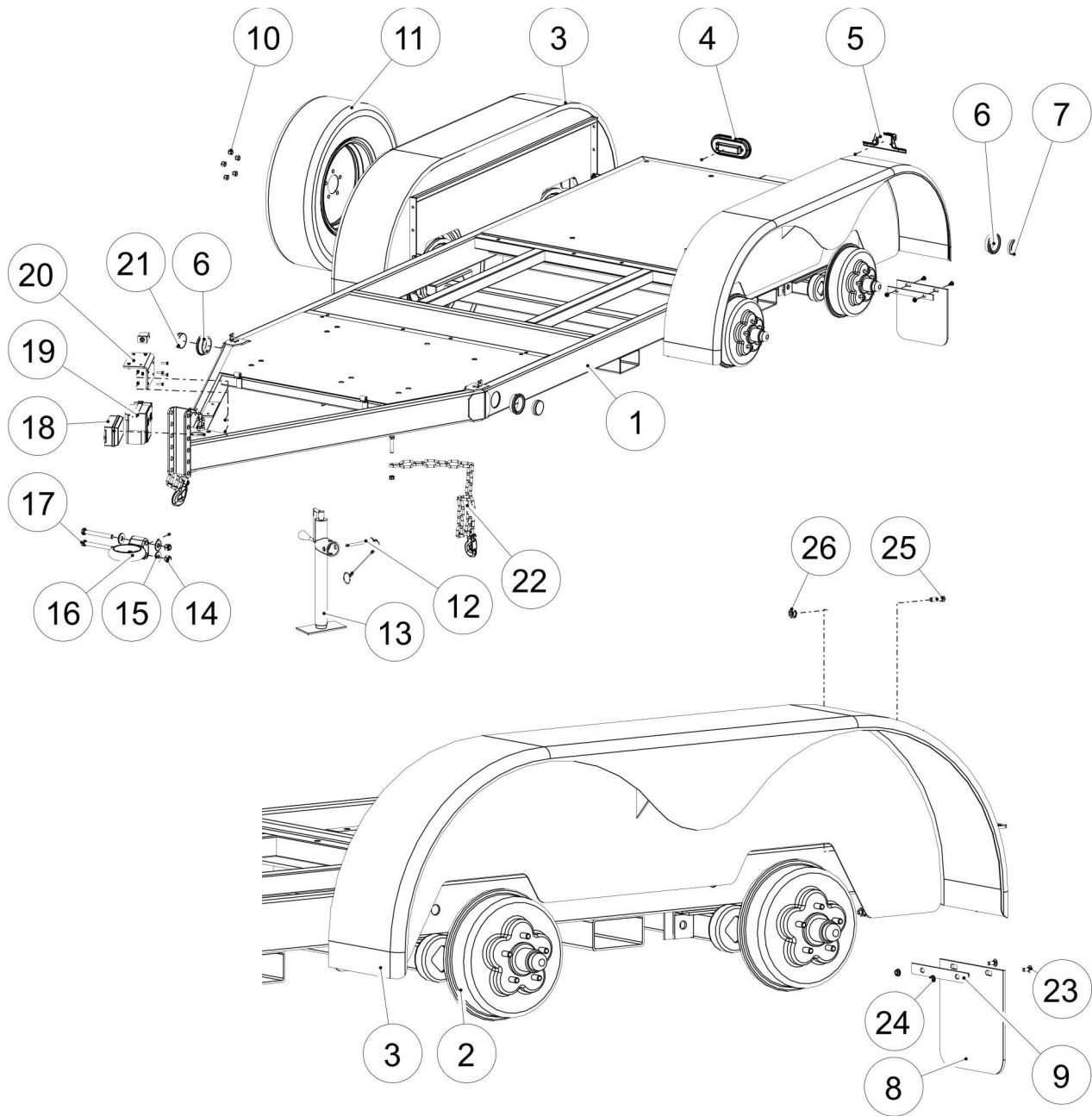
Manifold



**Central Mobile Enclosure
300 GTS Series
Manifold**

S/N: 153000 -
S/N: Current
PAGE: 6.1.2

Item No.	Part No.	Description	Qty.
1	004-901845	MANF MAIN SECTION GTS300	2
2	011-700178	VLV BALL 1-1/4 400WOG FL PT BRS CGA NPTF	2
3	011-702497	KMLCK 1-1/4 CPLR FEM AL MALE NPT PART B	1
4	011-702499	KMLCK 1-1/4 DUST PLUG AL PART DP	1
5	011-702496	KMLCK 1-1/4 ADPTR MALE AL NPT PART F	1
6	011-702498	KMLCK 1-1/4 DUST CAP AL PART DC	1
7	011-701518	QC CPLR 3/4 BRS NPTF	6
8	011-701517	QC NIPL 3/4 BRS NPTF	6
9	001-700622	CLP MUF 1-7/8X3/8 BOLT ZINC PLD	4
10A	006-702961	GSKT 1-1/4IN KMLCK CPLR STD	1
10B	006-900824	GSKT 1-1/4IN KMLCK CPLR SILICONE RBR	1
11A	006-702958	O-RING 3/4IN QC CPLR (.101)	1
11B	006-704311	O-RING 3/4IN QC CPLR (.141)	1
		The following components may not be shown	
	001-700450	SLEEVE OVAL 1/16 AL CABLE	4
	001-700451	CABLE ACFT 7X7 1/16 GALV	2





**Central Mobile Enclosure
300 GTS Series
Trailer**

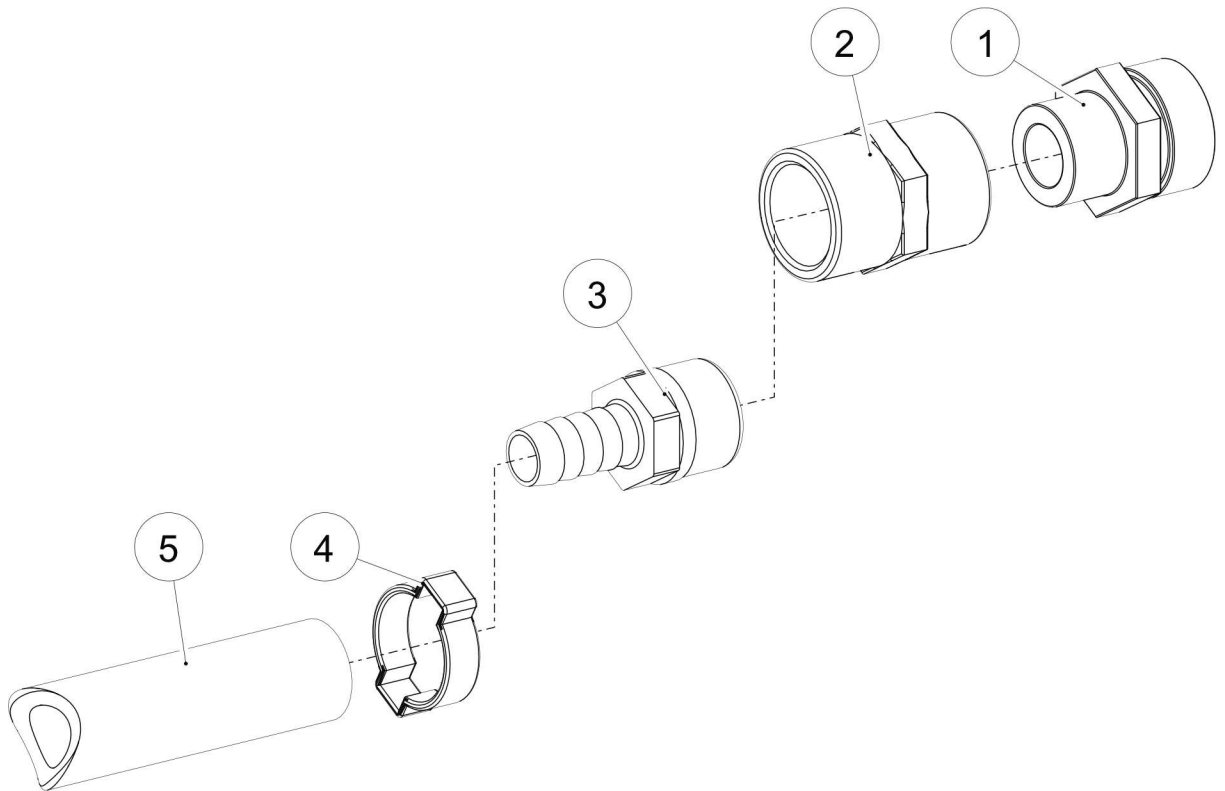
S/N: 153000 -
S/N: Current
PAGE: 7.1.2

Item No.	Part No.	Description	Qty.
1	018-901822	FRAME TRLR GTS300	1
2	004-902277	AXLE #10 TORFLEX ODEG 3500LB	2
3	018-703352	FEN ASSY TR6000-2 TRLR	2
4	002-701957	LIGHT TAIL OVAL	2
5	002-701961	LIGHT LICENSE PLT	1
6	002-703321	GROM LAMP 2-1/2 INCH	4
7	002-701959	LIGHT RED CLEARANCE	2
8	004-703335	MUD GD 10X10	2
9	004-703336	PLT MUD GD MNT TR6000-2	2
10	001-703962	NUT WHEEL 1/2 UNF	20
11	004-901823	WHEEL ASSY ST225-75R15 5BLT LR-E	4
12	006-702301	JACK LOCK WIRE ASSY	1
13	012-703003	JACK TOPWIND 5000LB 10IN LIFT	1
14	001-700950	NUT LKG NYL 5/8 UNC PLD	2
15	001-703306	WSHR FLAT 5/8 PLT PLD	4
16	004-701955	LUNETTE EYE 3 INCH	1
17	001-703348	BOLT 5/8X5-1/2 PLD GR5	2
18	002-901215	BOX JUNCTION TRLR ELEC 7 POLE	1
19	004-701984	BREAKAWAY PKG	1
20	010-702025	BRKT BRKAWY SYS	1
21	002-701958	LIGHT AMBER CLEARANCE	2
22	012-901107	CHAIN SAF 3/8X35 CW LATCH-HOOK 1/2IN LINK	2
23	001-703307	BOLT CRG 5/16X3/4 UNC PLD GR5	4
24	001-703308	NUT FLG 5/16 UNC PLD	4
25	001-700960	BOLT 3/8X1-1/4 PLD GR5	8
26	001-700721	NUT LKG NYL 3/8 UNC PLD	8
		The following components may not be shown	
	001-700475	BOLT 1/2X2-1/2 PLD GR5	2
	001-701606	NUT LKG NYL 1/2 UNC PLD	2
	001-703316	BOLT 1/4X7/8 PLD GR5	7
	001-700042	NUT LKG NYL 1/4 UNC PLD	7
	001-700629	SCRW D/T 10-16X3/4 5/16HEX HD PLD	11
	001-700435	SCRW D/T 1/4-14X1 3/8HEX HD PLD	2



**Central Mobile Enclosure
300 GTS Series
Suction Hose**

S/N: 153000 -
S/N: Current
PAGE: 8.1.1

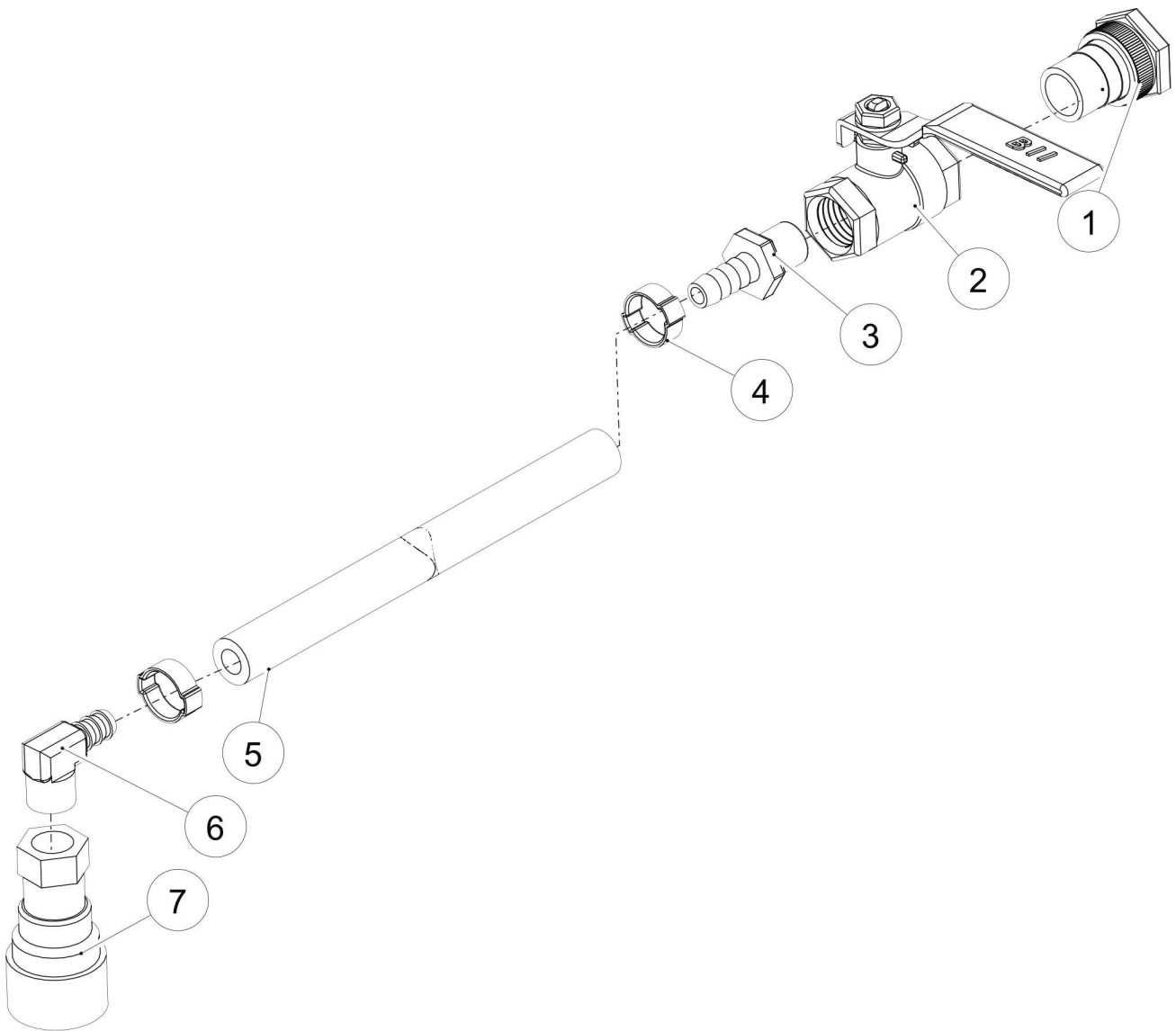




**Central Mobile Enclosure
300 GTS Series
Suction Hose**

S/N: 153000 -
S/N: Current
PAGE: 8.1.2

Item No.	Part No.	Description	Qty.
	018-901993	ASSY HOSE SUCTION (Includes 1-5)	
1	011-704705	CPLR MALE GARDEN HOSE 1/2MPT	1
2	011-704106	CPLG 1/2NPT BRS	1
3	011-702565	NIPL COMB 1/2NPTX1/2HB BRS	1
4	001-702552	CLP 2-EAR #22SS - 1/2ID HOSE	1
5	013-702634	HOSE 1/2 RED	2FT

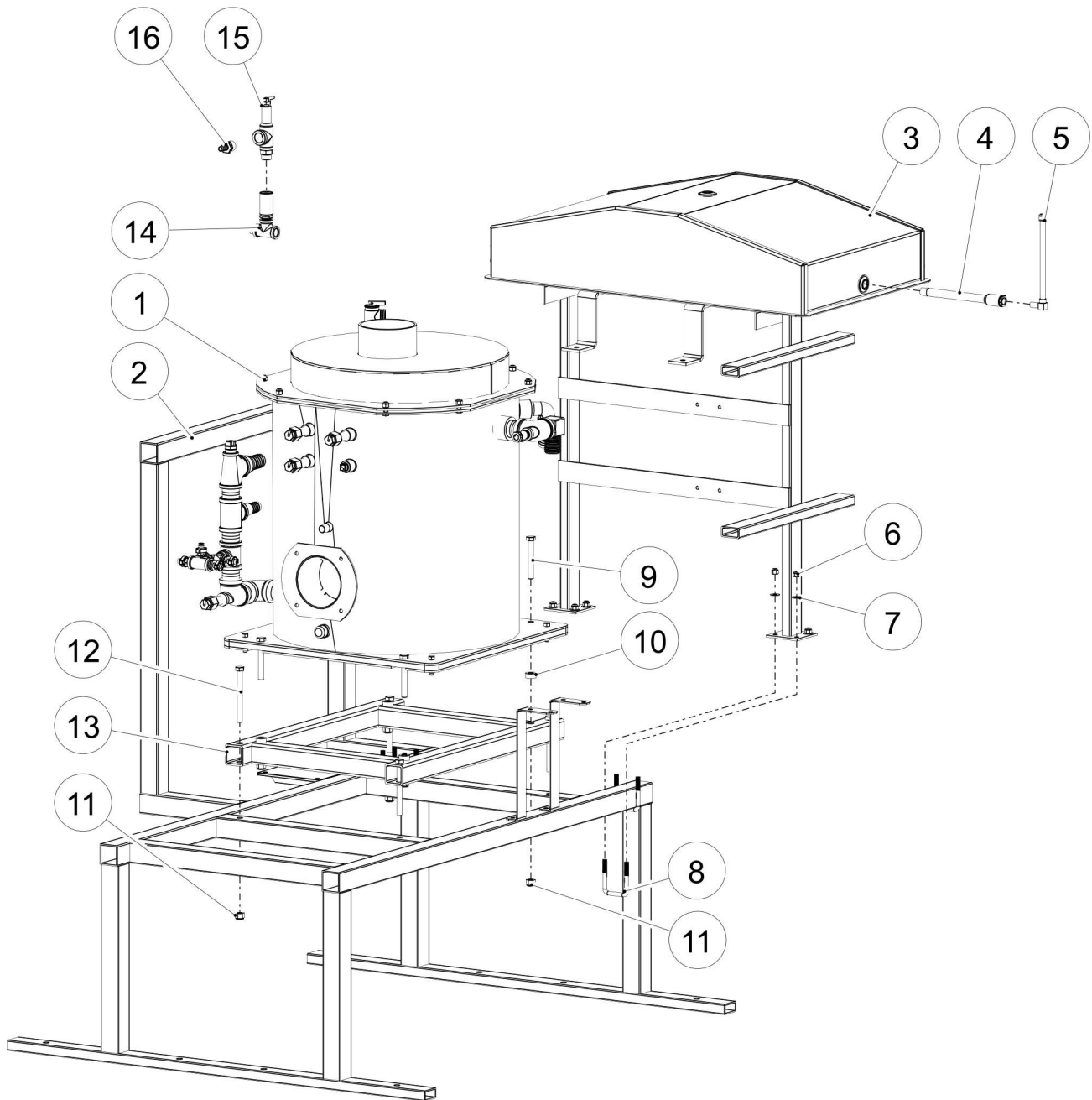




**Central Mobile Enclosure
300 GTS Series
Flush Draw Hose**

S/N: 153000 -
S/N: Current
PAGE: 8.1.4

Item No.	Part No.	Description	Qty.
	018-901991	ASSY HOSE FLUSH DRAIN CHARGE (Includes all below)	
1	011-700404	CPLR FEM GARD THD 1/2XSWVL NPTM	1
2	011-700115	VLV BALL 1/2 400WOG STD BRS CGA NPTF	1
3	011-702563	NIPL COMB 1/2NPTX3/8HB BRS	2
4	001-702551	CLP 2-EAR #18SS - 3/8ID HOSE	1
5	013-702633	HOSE 3/8 RED	3FT
6	011-901992	NIPL COMB 3/8NPTX3/8HB 90DEG BRS	1
7	011-900429	QC CPLR 3/8 BRS NPTF	1

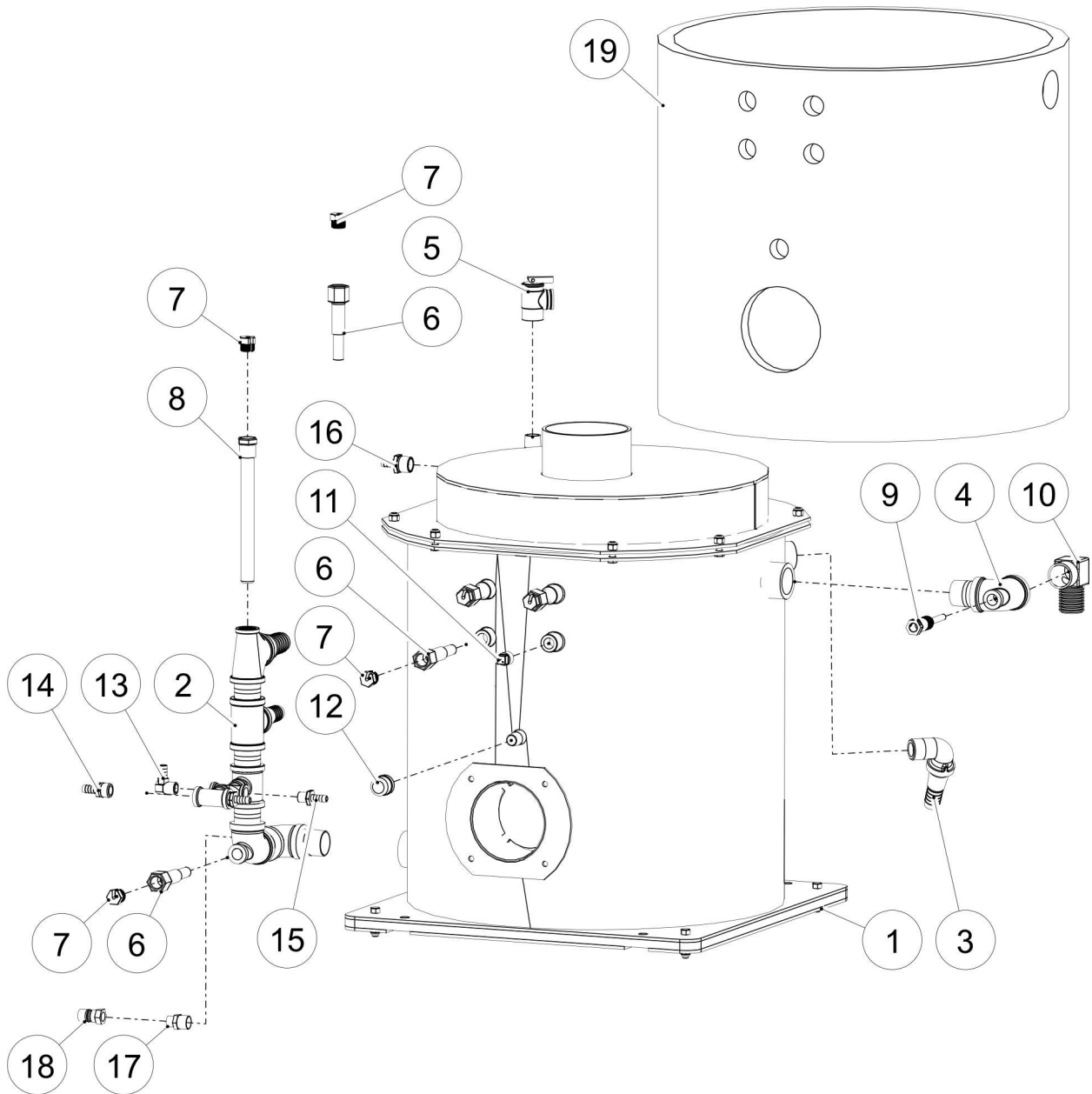




**Central Mobile Enclosure
300 GTS Series
Stand Up Water Heater**

PAGE: 9.1.2

Item No.	Part No.	Description	Qty.
	000-904959	PKG 300 TO 400GTS RETRO (Includes all components listed)	1
1		WATER HEATER - see page 9.1.3	
2	004-901832	STAND SUPPORT GTS300	1
3	004-904933	WELDMENT GLY TANK-STAND GTS300 TO 400 RETRO	1
4	018-904958	PKG SIGHT GAUGE ADPTR 300 TO 400GTS RETRO	1
5	012-904953	SIGHT GAUGE VENTED 3/8MPT 9-1/8L BRS	1
6	001-700721	NUT LKG NYL 3/8 UNC PLD	8
7	001-700719	WSHR FLT 3/8 PLD	8
8	001-903234	U-BOLT SQ 3/8X2-1/16X3 UNC PLD	4
9	001-702159	BOLT 1/2X3-3/4 UNC PLD	4
10	004-904929	CDSM 1 OD X.518ID X 7/16L	4
11	001-701606	NUT LKG NYL 1/2 UNC PLD	8
12	001-901105	BOLT 1/2X5 GR8 UNC PLD	4
13	004-904925	FRAME ADPTR MNT HEAT EXCHANGER GTS300 TO 400 RETRO	1
14	018-904921	PKG PLUMB BYPASS GTS300 TO 400 RETRO	1
15	005-700121	VLV BYPASS PRESS RLF 3/4 BRS	1
16	011-702564	NIPL COMB 3/4NPTX1/2HB BRS	1
		The following components may not be shown	
	006-902848	GSKT MNT RIELLO F10	1
	001-702551	CLP 2-EAR #18SS - 3/8ID HOSE	8
	001-702552	CLP 2-EAR #22SS - 1/2ID HOSE	8
	013-701347	HOSE 1-1/4 EXPLORER AIR 50FT LN	75 IN
	013-701100	HOSE 1 300PSI AIR 50FT LN EPDM T/C	67 IN
	013-702633	HOSE 3/8 RED	240 IN
	013-702634	HOSE 1/2 RED	162 IN
	013-700063	HOSE 1-1/4 VERSIFLO SUCT CW WIRE HLX	48 IN
	004-903076	FUEL LINE 3/8X66IN 1/4NPTM X #6JICF SWVL END	1
	018-904007	ASSY PKG VLV CHECK 3/8 NPT CW FITTINGS	1
	011-903805	NOZZLE OIL BNR B 1.75X60DEG	1
	011-703574	NIPL 1/2X1-1/2 BRS NPT	1
	001-900723	SCRW #10X3/4 SELF DRILL W-NPRN	40
	001-700360	TIE WRAP 11 NYL STD BLK	20
	004-905055	PNL PATCH 14X18 GTS300 RETRO WHT	1
	004-905056	PNL PATCH 14X18 GTS300 RETRO GRN	1
		<i>Call Dryair Parts Dept. for more support</i>	

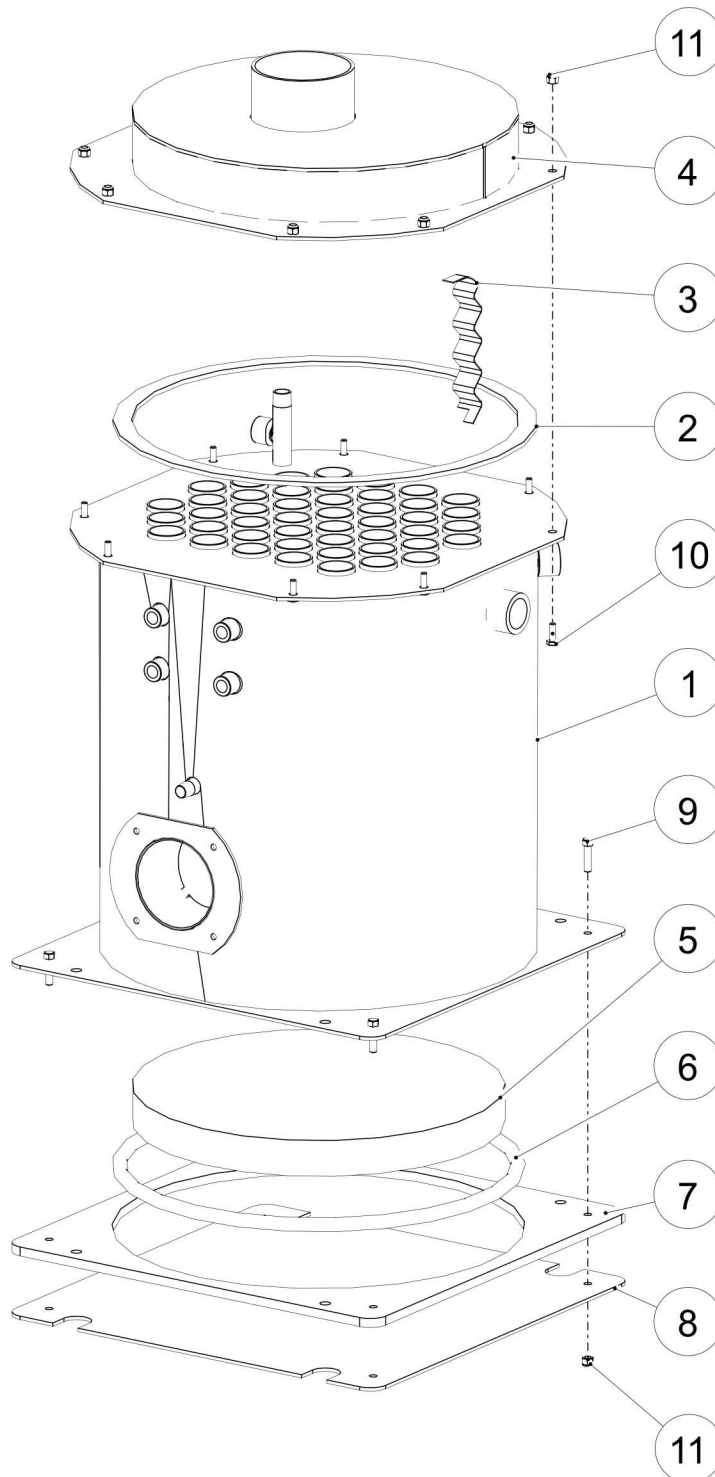




**Central Mobile Enclosure
300 GTS Series
Heat Exchanger**

PAGE: 9.1.4

Item No.	Part No.	Description	Qty.
	018-904930	PKG HEAT EXCHANGER CW PLUMB 300 TO 400GTS RETRO (Includes 1-18)	1
1		HEAT EXCHANGER see page 9.1.5	
2	018-904920	PKG PLUMB RTN GTS300 TO 400 RETRO	1
3	018-702542	PKG PLMB CRCLT HTR OUTLET MOD 2100	1
4	018-904923	PKG PLUMB SPLY 300 TO 400GTS RETRO	1
5	011-702627	VLV SAFETY PRESS RLF 30PSI 3/4FPT	1
6	005-702592	WELL THERM BRS 4-3/8IN .385 BORE 1/2IN NPT	5
7	005-702757	NUT SPLIT WELLCAP 3/4FINE THREAD	6
8	005-700204	WELL F/AVTA/B 3/4 BRS BULB	1
9	005-704272	WELL THERM BULB ASSY 1/2IN NPT	1
10	011-901949	NIPL COMB 1-1/4NPTX1-1/4HB 90DEG BRS	1
11	011-700073	PLUG 1/2 SQ HD MI NPTM	1
12	011-704121	CAP 1/2 NPT MI	1
13	011-704699	NIPL COMB 1/2NPTX1/2HB 90DEG BRS	1
14	011-702565	NIPL COMB 1/2NPTX1/2HB BRS	1
15	011-702563	NIPL COMB 1/2NPTX3/8HB BRS	2
16	011-702564	NIPL COMB 3/4NPTX1/2HB BRS	1
17	011-901963	NIPL HEX RDCG 1/2MNPTX3/8MNPT BRS	1
18	011-900428	QC NIPL 3/8 BRS NPTF	1
19	004-903468	INSUL HEAT EXCHANGER WRAP 2100-0150	1



Heat Exchanger



**Central Mobile Enclosure
300 GTS Series
Heat Exchanger**

PAGE: 9.1.6

Item No.	Part No.	Description	Qty.
	018-904924	PKG HEAT EXCHANGER 300 TO 400GTS RETRO (Includes 1-11)	1
1	004-903411	WELDMENT HEAT EXCHANGER 2100-0300	1
2	021-704342	GSKT HEAT RESIST 1/4x1	1
3	004-903427	BAFFLE SMALL HEAT EXCHANGER	46
4	004-904922	CVR LID GTS300 TO 400 RETRO	1
5	021-704341	INSUL HEAT RESIST 19-7/8IN OD 2IN THK	1
6	021-704343	GSKT HEAT RESIST 3/4IN DIA	1
7	004-704338	PC 1/2 A36 SPCR BOTTOM HEAT EXCHANGER	1
8	004-704339	PC 3/16 A36 COV BOTTOM HEAT EXCHANGER	1
9	001-700720	BOLT 3/8X1-1/2 PLD GR5	4
10	001-700804	BOLT 3/8X1 PLD GR5	8
11	001-700721	NUT LKG NYL 3/8 UNC PLD	12



**Central Mobile Enclosure
300 GTS Series
Hoses and Fuel Lines**

S/N: 153000 -
S/N: Current
PAGE: 10.1.1

Item No.	Part No.	Description	Qty.
		DANFOSS TO AIR PRE HTR	
	013-702633	HOSE 3/8 RED	25IN
		AIR PRE HTR TO RTN MANIFOLD	
	013-702633	HOSE 3/8 RED	15IN
		DANFOSS (TEMP) TO RTN MANIFOLD	
	013-702633	HOSE 3/8 RED	14IN
		SUPPLY PLUMB TO DANFOSS (FUEL PRE HTR)	
	013-702633	HOSE 3/8 RED	10IN
		FUEL PRE HTR TO RTN MANIFOLD	
	013-702633	HOSE 3/8 RED	25IN
		GLY TANK TO GLY SUPPLY VLV	
	013-702634	HOSE 1/2 RED	24IN
		GLY SUPPLE VLV TO SUPPLY MANIFOLD	
	013-702634	HOSE 1/2 RED	36IN
		GLY TANK TO OVERFLOW VENT	
	013-702634	HOSE 1/2 RED	46IN
		GLY TANK TO SIGHT GLASS	
	013-702634	HOSE 1/2 RED	28IN
		GLY TANK TO SIGHT GLASS	
	013-702634	HOSE 1/2 RED	8IN
		GLY FILL HOSE	
	013-702634	HOSE 1/2 RED	66IN
		GLY CIRC PRE HTR TO RTN MANIFOLD	
	013-701100	HOSE 1 EXPLORER AIR 50FT LN	40IN
		GLY PRE HTR TO SUPPLY MANIFOLD	
	013-701100	HOSE 1 EXPLORER AIR 50FT LN	26IN
		SUPPLY MANIFOLD TO PUMP INLET	
	013-700063	HOSE 1-1/4 VERSIFLO SUCT CW WIRE HLX	24IN
		SUPPLY MANIFOLD TO FLOW REVERSER	
	013-701347	HOSE 1-1/4 EXPLORER AIR 50FT LN	50IN
		FLOW REVERSER TO RTN MANIFOLD	
	013-701347	HOSE 1-1/4 EXPLORER AIR 50FT LN	50IN
		FLOW REVERSER (TOP) TO MANF (TOP)	
	013-701347	HOSE 1-1/4 EXPLORER AIR 50FT LN	12IN
		FLOW REVERSER (BOTTOM) TO MANF (BOTTOM)	
	013-701347	HOSE 1-1/4 EXPLORER AIR 50FT LN	12IN
		AIR PRE HTR TO BURNER	
	013-901260	HOSE FLEX DUCTING 4IN (3600102)	42IN



**Central Mobile Enclosure
300 GTS Series
Hoses and Fuel Lines**

S/N: 153000 -
S/N: Current
PAGE: 10.1.2

Item No.	Part No.	Description	Qty.
		FUEL LINES	
		FRONT BOTTOM OF FUEL TANK TO SIGHT GLASS	
	004-902875	FUEL LINE 3/8X10-5/8IN #6JICF SWVL ENDS	1
		MID BOTTOM OF FUEL TANK TO GEN	
	004-902876	FUEL LINE 3/8X16-5/8IN #6JICF SWVL ENDS	1
		FRONT TOP OF FUEL TANK TO SIGHT GLASS	
	004-902877	FUEL LINE 1/4X14IN #6JICF SWVL ENDS	1
		MID TOP OF FUEL TANK TO GEN	
	004-902878	FUEL LINE 1/4X26IN #6JICF SWVL ENDS	1



**Central Mobile Enclosure
300 GTS Series
Decals**

S/N: 153000 -
S/N: Current
PAGE: 11.1.1



Item No.	Part No.	Description	Qty.
1	003-701195	DECAL DRYAIR 12X2 05 BLUE VINYL R1	1
2	003-702649	DECAL DRYAIR 12X2 WHITE	1
3	003-902021	DECAL GREENTHAW BY DRYAIR 14X3.7 GTS300	2
4	003-902446	DECAL GREENTHAW BY DRYAIR 14X3.7 WHT	2
5	003-902022	DECAL GREENTHAW 44X7.5	3
6	003-902447	DECAL GREENTHAW 44X7.5 WHT	3
7	003-902020	DECAL 300GTS 14X2.7	2
8	003-902448	DECAL 300GTS 14X2.7 WHT	2
9	003-900678	DECAL SUB40	2
10	003-901115	DECAL SUB40 WHT	2
11	003-703253	DECAL HEAT THAW CURE DRY 12 X .77	1

1

SAFETY FIRST
LA SÉCURITÉ

OBSERVE ALL SAFETY PRECAUTIONS AS OUTLINED BY OCCUPATIONAL HEALTH & SAFETY REFER TO SERVICE MANUAL FOR DETAILS
RESPECTEZ TOUTES LES PRÉCAUTIONS COMME INDICÉES PAR SANTÉ ET SÉCURITÉ AU TRAVAIL. CONSULTEZ LE MANUEL DE SERVICE POUR LES DÉTAILS

003-700159-R02

2

CAUTION! /ATTENTION!

DO NOT BLOCK THIS OUTLET

THIS OUTLET SERVES AS THE CIRCULATION SYSTEM FLUID RESERVOIR VENT AND OVERFLOW

BLOCKING THE OUTLET WOULD CAUSE UNDESIRABLE CIRCULATION SYSTEM PRESSURE BUILD-UP RESULTING IN WATER HEATER SHUT-DOWN

NE BLOQUEZ PAS CETTE SORTIE

CETTE SORTIE SERT D'ÉVÉNEMENT D'ÉCARTÈMENT DU RÉSERVOIR À FLUIDE DE SYSTÈME DE CIRCULATION

LE BLOQUE DE LA SORTIE PEUT CAUSER UNE ACCUMULATION DE PRESSION DU SYSTÈME DE CIRCULATION INDÉSIRABLE RESULTANT EN ARRÊT DE CHAUFFE-EAU

003-701456-R03

3

MADE IN CANADA

FABRIQUÉ AU CANADA

003-703323R01

4

TANK MUST BE EMPTIED BEFORE TRANSPORT WITHIN CANADA

5

ATTENTION!

THE RESERVOIR EXTENSION KIT CAN BE POSITIONED TO A MAXIMUM HEIGHT OF 70' (64.5 METERS) ABOVE THIS APPLIANCE

RESERVOIR EXTENSION HOOK-UP

FOR USE WITH THE RESERVOIR EXTENSION KIT

003-704609-R01

6

WARNING ATTENTION

NOT FOR LIFTING OR TIE DOWN. HOOKS ARE FOR MANUFACTURING USE ONLY!

PAS POUR LE LEVAGE OU ARRIMAGE. LES CROCHETS SONT POUR USAGE DE FABRICATION SEULEMENT!

003-901162R01

7

EXTERNAL HTF TANK (RESERVOIR EXTENSION TANK)

INTERNAL HTF TANK

003-902023-R02

8

AUXILIARY GENERATOR FUEL CONNECTIONS

CONNEXIONS DE CARBURANT DU GÉNÉRATEUR AUXILIAIRES

RETURN TOP HAUT DE RETOUR

SUPPLY BOTTOM ALIMENTATION EN BAS

003-902460R01

9

CAUTION !

HOT SURFACE & FLUID LINES
82°C (180°F) FLUID TEMPERATURE
PRECAUTIONS MUST BE TAKEN TO PREVENT INJURY FROM PHYSICAL CONTACT WITH THE HEAT TRANSFER FLUID & CIRCULATION LINES
PROTECTIVE EYEWEAR & GLOVES MUST BE WORN AT ALL TIMES WHEN HANDLING
SHUT OFF BALL VALVES BEFORE CONNECTING AND OR DISCONNECTING

ATTENTION !

SURFACE & FLUIDE CHAUDI!
82 °C (180 °F) TEMPERATURE DE LIQUIDE
PRÉCAUTIONS DOIVENT ÊTRE PRISES POUR PRÉVENIR LES BLESSURES
CONTACT PHYSIQUE AVEC LE FLUIDE DE TRANSFERT DE CHALEUR & LIGNES DE CIRCULATION
LUNETTES ET GANTS DE PROTECTION DOIVENT ÊTRE PORTÉS À TOUTS MOMENTS LORS DE LA MANIPULATION, COUPEZ ROBINETS AVANT DE CONNECTER ET/OU DE DÉCONNECTER.

003-903602

10

HEAT TRANSFER FLUID LEVEL

SAFE OPERATING RANGE BETWEEN 1/4 and 3/4 ON THE LEVEL GAUGE
CHECK FLUID LEVELS DAILY
USE ONLY APPROVED ANTIFREEZE (HTF) / WATER MIXTURE

NIVEAU DE FLUIDE CALOPORTEUR

GAMME DE FONCTIONNEMENT SÛRE ENTRE 1/4 ET 3/4 SUR LA JAUGE DE NIVEAU
VÉRIFIEZ LES NIVEAUX DE FLUIDE QUOTIDIENNEMENT
UTILISEZ MÉLANGE D'ANTIGEL FLUIDE CALOPORTEUR/D'EAU

003-701454-R02

11

ATTENTION!

This Unit is Certified to CSA & UL Standards for use as a NON-PRESSURE VESSEL

- The unit includes an open atmospherically vented expansion tank.
- The expansion tank is integrally connected to the heat-exchange section of the water heater by means of a permanently open line (no valves).
- The heat exchange section connects to the inlet side of the circulating pump and therefore, only neutral atmospheric pressure is present within the heat exchange section.

Cet appareil est certifié aux normes de CSA et UL, pour l'utilisation comme un NAVIRE SANS PRESSION

- Le réservoir d'expansion est relié intégralement à la section d'échange de chaleur du chauffe-eau au moyen d'une ligne ouverte en permanence (sans de vannes).
- La section d'échange de chaleur se connecte à la côté d'entrée de la pompe de circulation et donc, seulement la pression atmosphérique neutre est présente à l'intérieur de la section d'échange de chaleur.

003-900454R01

12

ATTENTION!

LE KIT RÉSERVOIR D'EXTENSION PEUT ÊTRE POSITIONNÉ À UNE HAUTEUR MAXIMALE DE 70 PIEDS (16.5 MÈTRES) AU-DESSUS DE CET APPAREIL

BRANCHEMENT D'EXTENSION DE RÉSERVOIR

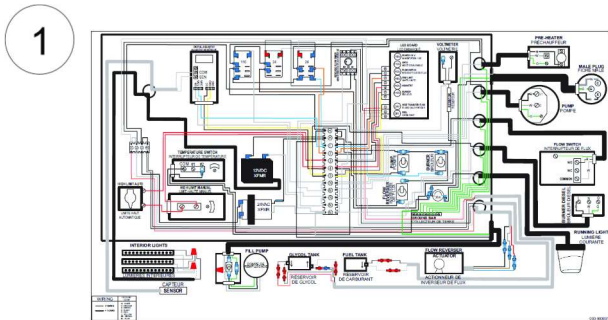
À UTILISER AVEC LE KIT RÉSERVOIR

003-902771

Item No.	Part No.	Description	Qty.
1	003-700159	DECAL SAFETY FIRST	1
2	003-701456	DECAL VENT/OVERFLOW	1
3	003-703323	DECAL MADE IN CANADA 1.5x3	1
4	003-904737	DECAL TANK MUST BE EMPTIED	1
5	003-704609	DECAL EXT RSVR HOOK-UP HESF-1000	1
6	003-901162	DECAL NOT FOR LIFTING OR TIE DOWN	4
7	003-902023	DECAL GLY SELECTOR VLV GTS300	1
8	003-902460	DECAL GEN FUEL CONNECTIONS	1
9	003-701524	DECAL CAUTION GLY SHUT VLV	1
10	003-701454	DECAL HTF FLUID LEVELS	1
11	003-900454	DECAL NON-PRESS-VESSEL 4X4.5	1
12	003-902771	DECAL EXT RSVR HOOK-UP FRENCH	1



Item No.	Part No.	Description	Qty.
1	003-903284	DECAL STARTUP 400GTS	1
2	003-902223	DECAL L-FPLT CTRL PNL GTS300 STD	1
3	003-902224	DECAL C-FPLT CTRL PNL GTS300 STD	1
4	003-902225	DECAL R-FPLT CTRL PNL GTS300 STD	1
5	003-902232	DECAL TROUBLESHOOTING GTS300 STD	1
6	003-902768	DECAL TROUBLESHOOTING GTS300 STD FRENCH	1
7	003-902023	DECAL GLY SELECTOR VLV GTS300	1
8	003-902024	DECAL 3-WAY FUEL VLV GTS300	1
9	003-902461	DECAL WARNING HOT GLY SELECTOR VLV	1
10	003-903278	DECAL FLOW REV DO NOT ADJ	1



2

ATTENTION!

This Unit is Certified to CSA & UL Standards for use as a NON-PRESSURE VESSEL.

Cet appareil est certifié aux normes de CSA et UL pour utilisation comme un NAVIRE SANS PRESSION.

- The unit includes an open atmospheric vented expansion tank.
- Le réservoir d'expansion est relié intégralement à la section d'échange de chaleur du chauffe-eau au moyen d'une ligne ouverte en permanence (pas de vannes).
- The heat exchange section connects to the inlet side of the circulating pump and therefore, only neutral atmospheric pressure is present within the heat exchange section.
- L'appareil inclut un couvercle réservoir d'un pression atmosphérique ventilé.
- Le réservoir d'expansion est relié intégralement à la section d'échange de chaleur du chauffe-eau au moyen d'une ligne ouverte en permanence (pas de vannes).
- La section d'échange de chaleur se connecte à la côté d'entrée de la pompe de circulation et donc, seulement la pression atmosphérique neutre est présent à l'intérieur de la section d'échange de chaleur.

003-900454

3

ON MARCHÉ
OFF ARRÊT

HTF FILL PUMP/POMPE

003-903232

4

DIESEL FUEL ONLY DIESEL SEULEMENT

This appliance is rated for #1 or #2 light oil/diesel
Cet appareil est classé pour n°1 et n°2 pétrole léger/diesel

003-900458

7

HTF FILL PUMP INSTRUCTIONS:

- 1) TURN POWER TO UNIT OFF
- 2) OPEN VALVE ON FILL HOSE
- 3) INSERT THE SUCTION HOSE INTO EXTERIOR HTF CONTAINER
- 4) TURN PUMP ON TO FILL HTF TANK
- 5) WHEN FULL TO DESIRED LEVEL, TURN OFF PUMP & CLOSE VALVE TO PREVENT FLUID LOSS FROM TANK
- 6) REMOVE FILL HOSE FROM EXTERIOR CONTAINER AND RESUME OPERATION OF UNIT

LES INSTRUCTION POUR REMPLIR POMPE HTF:

- 1) COUPEZ L'ALIMENTATION
- 2) OUVRIR LE ROBINET SUR TUYAU DE REMPLISSAGE
- 3) INSÉRER ASPIRATION FLEXIBLE EN EXTERIEUR HTF RÉCIPENT
- 4) TOURNER SUR LA POMPE POUR REMPLIR HTF RÉSERVOIR
- 5) NIVEAU DE PLEIN QUAND DESIRÉ, ARRÊTER LA POMPE ET FERMEZ LE ROBINET À PRÉVENIR LA PERTE LIQUIDE DU RÉSERVOIR
- 6) ENLEVER LE TUYAU DE REMPLISSAGE DE L'EXTERIEUR RÉSERVOIR ET RESUME FONCTIONNEMENT DE L'UNITÉ

003-903248

5

**PARTICULATE & WATER BLOCK FILTER
REMOVES FOREIGN DEBRIS & WATER FROM FUEL**

FILTRE DE BLOCAGE DE L'EAU ET DEPARTICULES
"REMOUVES LES DÉBRIS ÉTRANGERS ET L'EAU"

003-702430

6

**DO NOT WALK ON THIS UNIT
NE PAS MARCHER SUR CETTE UNITÉ**

003-702653



9

PROPYLENE GLYCOL HEAT TRANSFER FLUID

CHIL (BOSS) 100%
 DOWFROST 60/40
 DOWFROST 50/50
 DOWFROST 30/70

CHIL (BOSS) 100%
 CHIL (BOSS) 60/40
 CHIL (BOSS) 50/50
 CHIL (BOSS) 30/70

TOxic MATERIAL PRECAUTIONS:
This product is highly toxic. It is a severe irritant to the skin, eyes, and respiratory tract. It is also a potential carcinogen. It is highly flammable and can cause a fire or explosion. It is also a severe irritant to the environment. It is highly toxic to aquatic life and can cause long-term adverse effects.

PRECAUTIONS RELATIVES AUX SUBSTANCES TOXIQUES:
Ce produit est hautement toxique. Il est un irritant sévère pour la peau, les yeux et les voies respiratoires. Il est également un potentiel cancérigène. Il est hautement inflammable et peut provoquer un incendie ou une explosion. Il est également un irritant sévère pour l'environnement. Il est hautement toxique pour la vie aquatique et peut provoquer des effets néfastes à long terme.

UNIHAR SOLUTIONS (DOWFROST)
Dulles, OH 42016 | Edmonton, AB
1-800-531-7106 | 1-254-888-8848
www.unihar.com

BOSS LUBRICANTS
Calgary, Alberta T2C 1R4
1-800-844-6467
www.boss-lub.com

003-906334

10

ADJUSTMENTS MUST BE DONE BY
A QUALIFIED TECHNICIAN ONLY

ADJUSTMENTS DOIVENT ÊTRE FAITS
PAR UN TECHNICIEN QUALIFIÉ SEULEMENT

003-700172-R02

**DO NOT ADJUST!
N'AJUSTEZ PAS!**

11

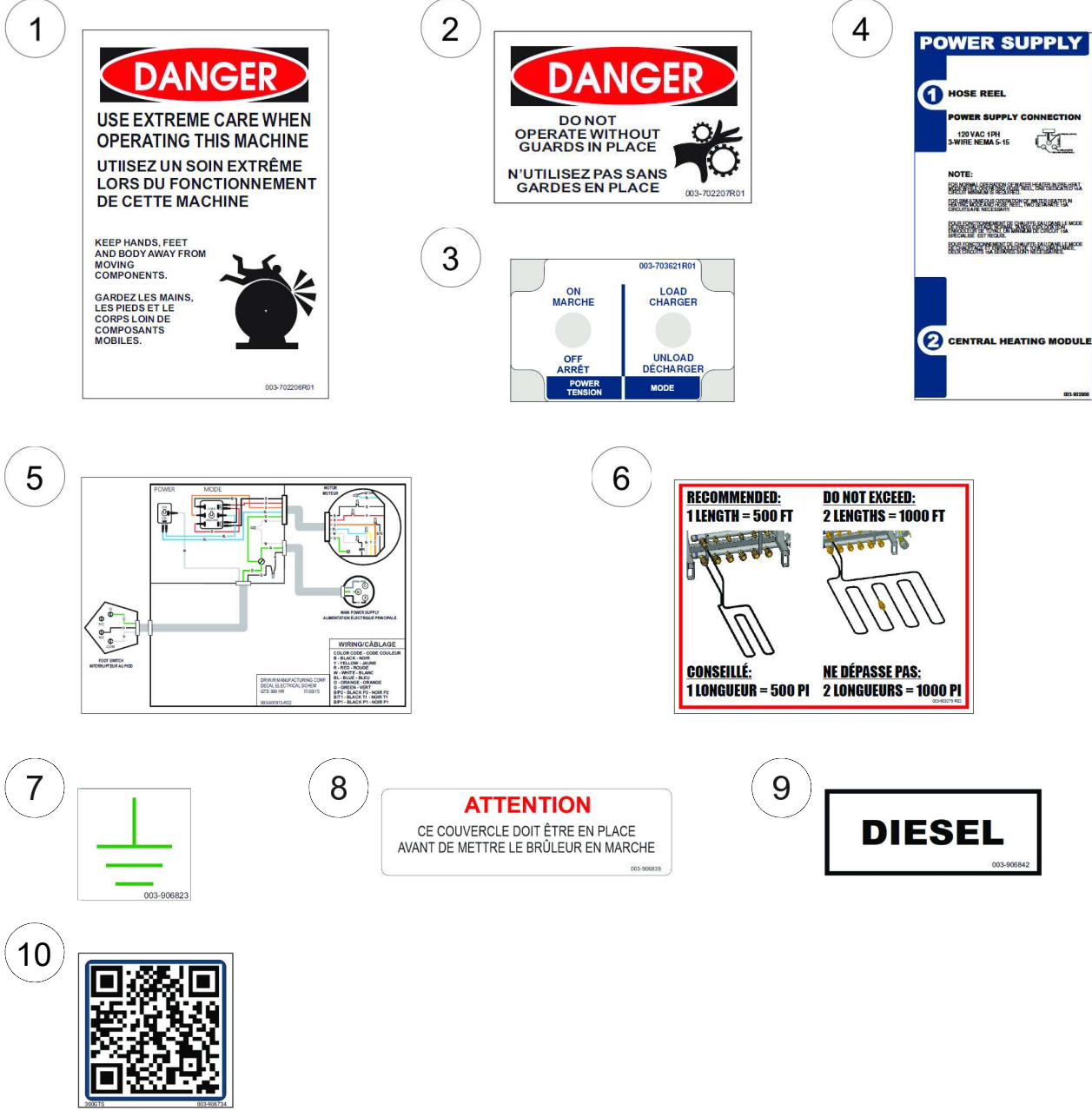
1	2	3	4
1	2	3	4

12

I	I	1	2	3	4	5	Z	Z	Z	Z	Z
I	I	1	2	3	4	5	Z	Z	Z	Z	Z

003-902831

Item No.	Part No.	Description	Qty.
1	003-903691	DECAL ELEC SCHEM GTS300 SHURFLO A421	1
2	003-900454	DECAL NON-PRESS-VESSEL 4X4.5	1
3	003-903232	DECAL HTF FILL PUMP GTS300	1
4	003-900455	DECAL DSL FUEL ONLY 4.5X2.5	1
5	003-702430	DECAL FUEL/WATER FLTR MOD 2100	1
6	003-702729	DECAL FUEL PRESS ARROW MOD 2100	1
7	003-903248	DECAL INSTR SHURFLO PUMP GTS300	1
8	003-702653	DECAL DIFFUSION TAPE 1IN X 6IN	1
9	003-906384	DECAL GLYCOL SAFETY	1
10	003-700172	DECAL DO NOT ADJ	4
11	003-702656	DECAL VINYL XTERM 1-4 R01	1
12	003-902831	DECAL VINYL XTERM HH1-5NNNNN 12-TERM	1



Item No.	Part No.	Description	Qty.
1	003-702206	DECAL DANGER USE EXTREME CARE	1
2	003-702207	DECAL DANGER DO NOT OPERATE	1
3	003-703621	DECAL TOGGLE SW ID MOD 2250-HR	1
4	003-902908	DECAL PWR SPLY-CIRCUIT REQUIREMENT	1
5	003-901913	DECAL ELEC SCHEM GTS300	1
6	003-903279	DECAL HOSE REEL MAX LOOP LENGTH	1
7	003-906823	DECAL GND SYMBOL	1
8	003-906839	DECAL ATTN BNR COVER INSTALLED FRENCH ONLY	1
9	003-906842	DECAL DIESEL 2-1/2X1	2
10	003-906734	DECAL QR OP MAN 300 GTS	1

