



Heat

Dry

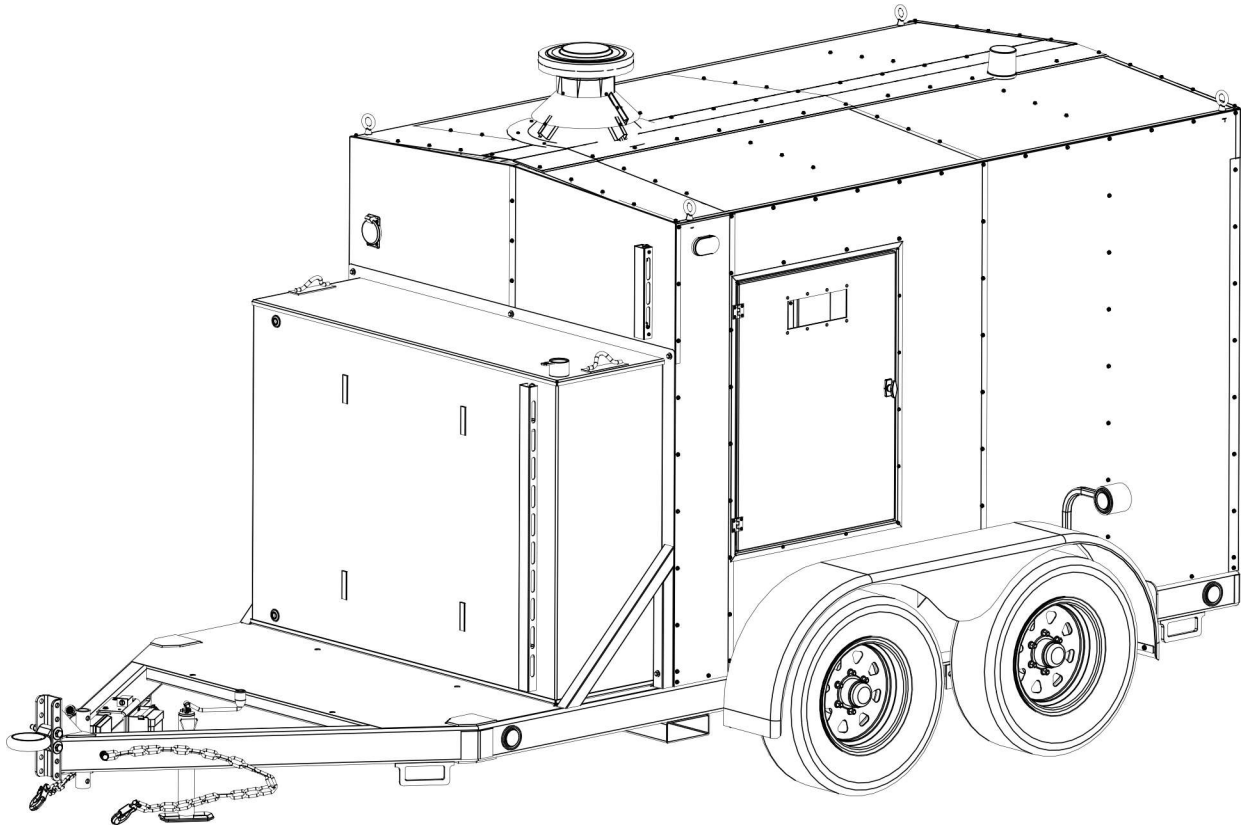
Thaw

Cure

PARTS CATALOGUE

Central Mobile Enclosure

600 GTS Series



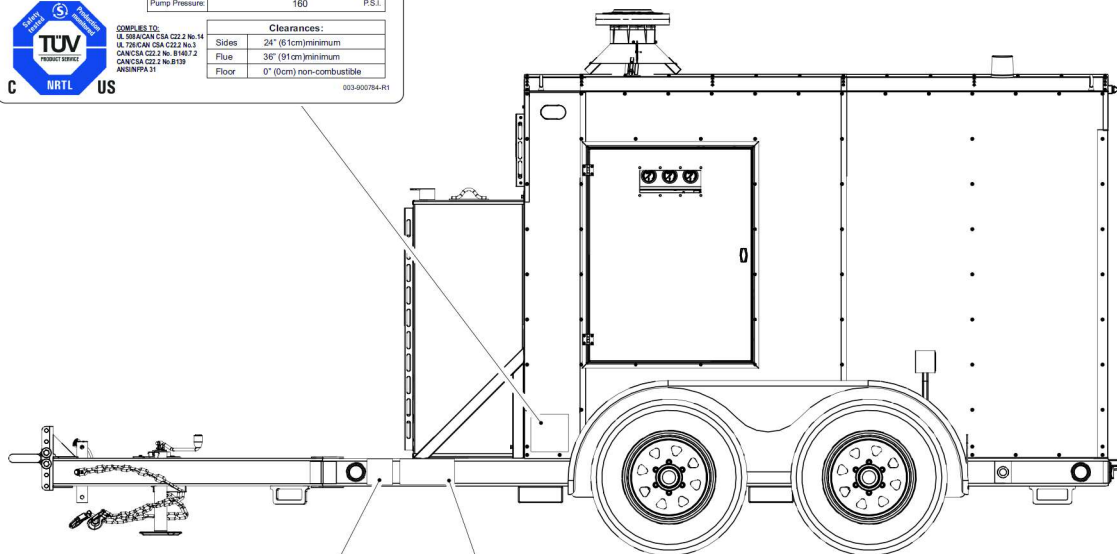
DRYAIR MANUFACTURING CORP.
PO BOX 126, 400 SERVICE ROAD
ST. BRIEUX, SK S0K 3V0
CANADA
www.dryair.ca

Tel: 1 (306) 275-4848
Toll-Free: 1 (888) 750-1700
Fax: 1 (306) 275-4664
Email: parts@dryair.ca



Central Mobile Enclosure 600 GTS Series Serial Number Location

DRYAIR		P.O. Box 126 400 Service Road St. Brioux, SK Canada S0K 3V0		MADE IN CANADA	
DRYAIR Model: 600 GTS		Reference:			
Serial No.:		Prod. Sched.:			
Main Power		Oil Burner			
Volts:	115 V	Model:	Riello 40-F20		
Phase:	1	Fuel:	#2 Heating Oil	#1 Heating Oil	
Fz:	60 HZ	Calorific Value:	140,000 BTU / US Gal.	136,000 BTU / US Gal.	
Max. Ampacity	15 A	Output:	508,564 BTUH	500,058 BTUH	
Control Voltage	115 V	Fuel Input:	4.43	US GPH	
		Pump Pressure:	160	P.S.I.	
		Clearances: Sides 24" (61cm) minimum Flue 36" (91cm) minimum Floor 0" (0cm) non-combustible			
COMPLIES TO: UL 2281 CAN/CSA C22.2 No.14 UL 781 CAN/CSA C22.2 No.1 CAN/CSA C22.2 No. 81407.2 CAN/CSA C22.2 No.8139 ANSI/NFPA 71		003-905764-R1			



MANUFACTURED BY/FABRIQUÉ PAR:	DRYAIR MANUFACTURING CORP.
IMPORTED BY/IMPORTÉ PAR:	UPS SUPPLY CHAIN SOLUTIONS
DATE OF MANUFACTURE/ DATE DE FABRICATION:	
GVWR/PNBV	5450 KG (12000 LB)
GAWR FRONT/PNBE AVANT	2700KG (6,000 LB)
TIRES/PNEUS	ST225/75/R15 (D)
RIMS/JANTES	T-15x6K
COLD TIRE INFL. SINGLE/GONFLAGE PNEU À FROID UNIQUE	448kPa (65 PSI)
GAWR REAR/PNBE ARRIÈRE	2700KG (6,000 LB)
TIRES/PNEUS	ST225/75/R15 (D)
RIMS/JANTES	T-15x6K
COLD TIRE INFL. SINGLE/GONFLAGE PNEU À FROID UNIQUE	448 kPa (65PSI)
THIS VEHICLE CONFORMS TO ALL APPLICABLE FEDERAL MOTOR VEHICLE SAFETY STANDARDS IN EFFECT ON THE DATE OF MANUFACTURE SHOWN ABOVE. CE VÉHICULE CONFORME À TOUTES LES NORMES FÉDÉRALES DE LA SÉCURITÉ AUTOMOBILE EN VIGUEUR À LA DATE DE FABRICATION INDIQUÉE CI-DESSUS.	
VIN: 2DRUS629 S / NIV: 2DRUS629 S	
TYPE: TRAILER / TYPE: REMORQUE	

MANUFACTURED BY/FABRIQUÉ PAR:		DRYAIR MANUFACTURING CORP. ST. BRIEUX, SK CANADA S0K 3V0 (306) 275-4848	
DATE:			
GVWR/PNBV 5450KG			
GAWR/PNBE KG	TIRE/PNEU - DIMENSION - RIM/JANTE		COLD INFL. PRESS./ PRESS. DE GONFL. À FROID PSI/LPC KPA
1st 2700	ST225/75/R15 D	T-15 X 6K	65 448
2nd 2700	ST225/75/R15 D	T-15 X 6K	65 448
3rd			
V.I./N.I.V.: 2DRUS629 S			
TYPE OF VEHICLE/TYPE DE VÉHICULE: TRA/REM			

003-900645-R02

003-900644-R01



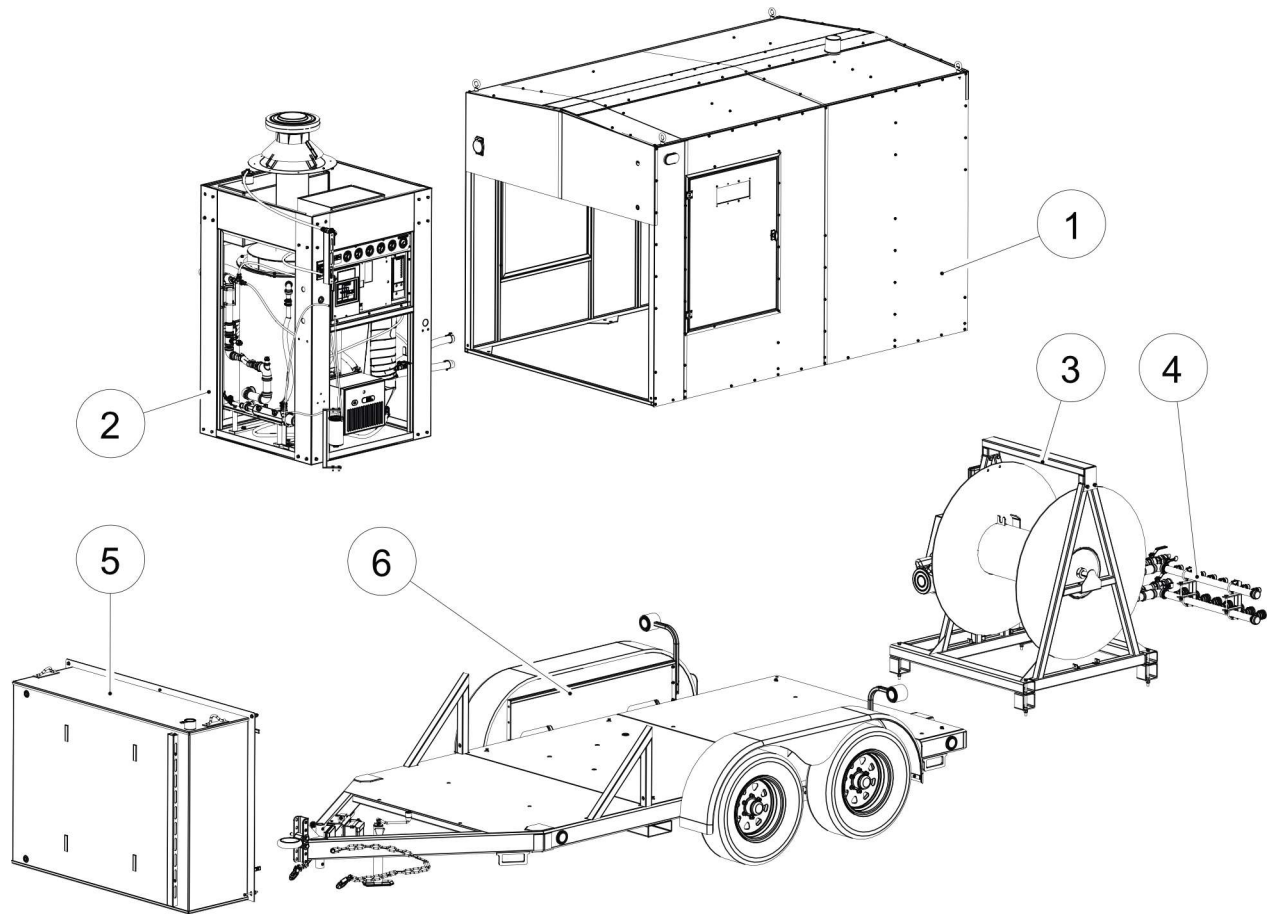
Central Mobile Enclosure 600 GTS Series Table of Contents

Enclosure	1.1.1
Enclosure Panels	1.1.3
Door With Window	1.1.5
Door Without Window	1.1.7
Glycol Sightglass	1.1.9
Dover Door	1.1.11
Heat Exchanger	2.1.1
Heat Exchanger Enclosure	2.1.3
Heat Exchanger	2.1.5
Glycol Preheater	2.1.9
Control Panel	2.1.11
Air Preheater	2.1.13
Pump	2.1.15
Fuel Preheater	2.1.19
Burner	2.1.21
Glycol Tank	2.1.23
Miscellaneous Plumbing	2.1.25
Supply Plumbing	2.1.27
Return Plumbing	2.1.29
Flow Reverser	2.1.31
Chimney	2.1.33
Electrical	2.1.35
Fuel Filter	2.2.37
Hose Reel	3.1.1
HR2250	3.1.1
HR2250 Shield	3.1.3
HR2250 Drive	3.1.5
HRV4000	3.2.1
HRV4000 Belt Drive	3.2.3
HRV4000 Spool	3.2.5
HRV4000 Electrical	3.2.7
HRV4000 Control	3.2.9
Manifold	4.1.1
Fuel Tank	5.1.1
Fuel Filter	5.1.3
Trailer	6.1.1
Caster Wheel	6.1.3
Hoses and Fuel Lines	7.1.1
Decals	8.1.1



Central Mobile Enclosure 600 GTS Series Master Assembly

S/N: 134601 -
S/N: Current
PAGE:

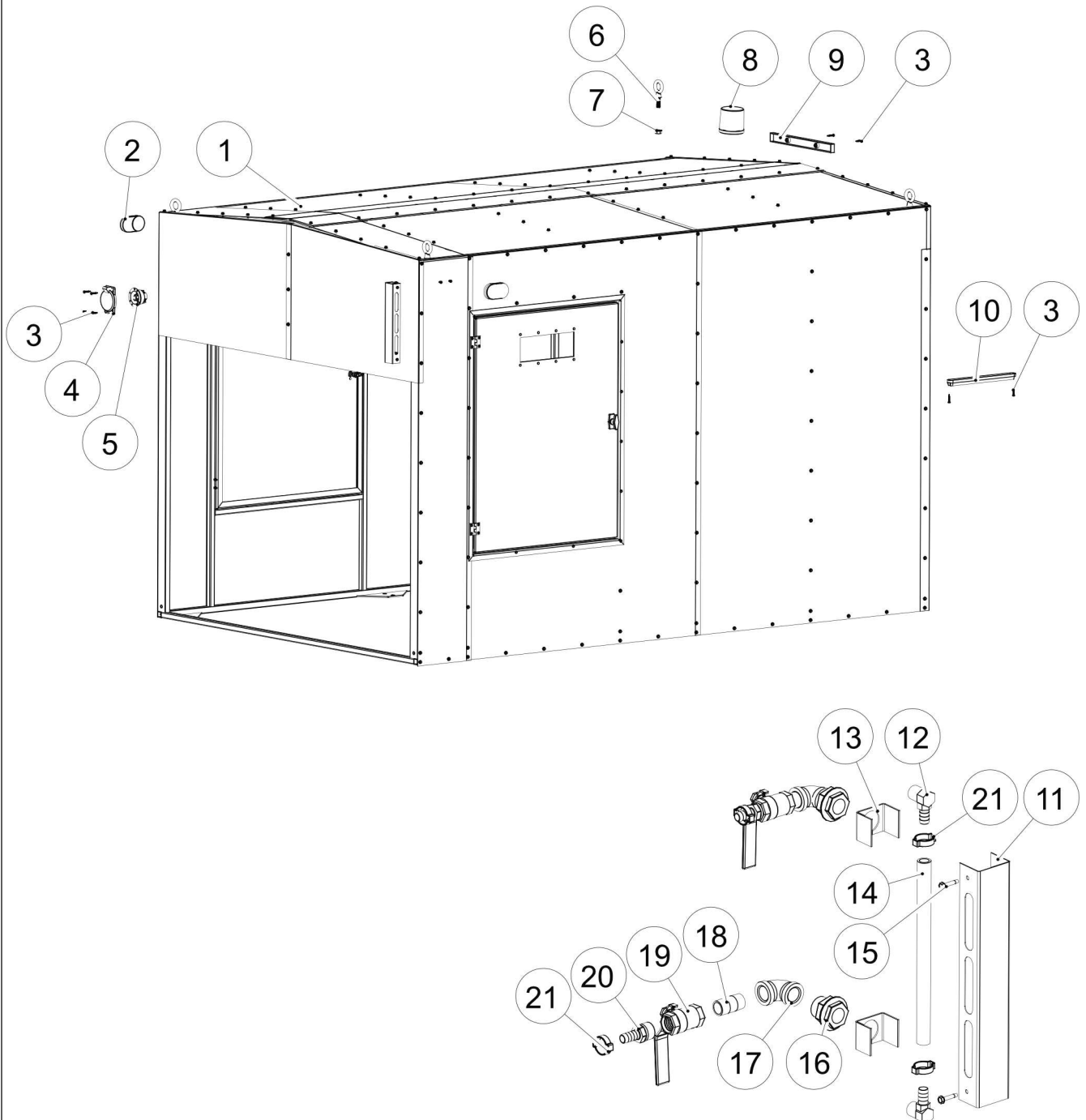




**Central Mobile Enclosure
600 GTS Series
Master Assembly**

S/N: 134601 -
S/N: Current
PAGE:

Item No.	Part No.	Description	Qty.
1		ENCLOSURE - see page 1.1.1	
2		HEAT EXCHANGER - see page 2.1.1	
3		HOSE REEL - see page 3.1.1	
4		MANIFOLD - see page 4.1.1	
5		FUEL TANK - see page 5.1.1	
6		TRAILER - see page 6.1.1	

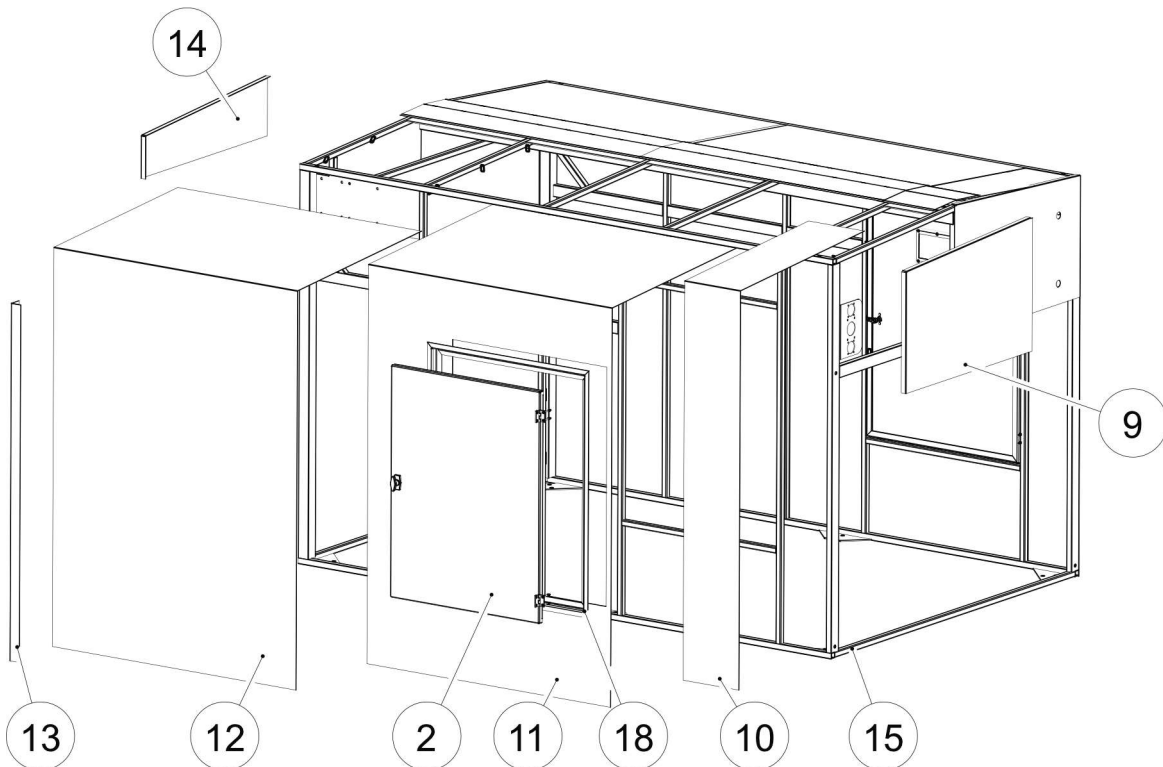
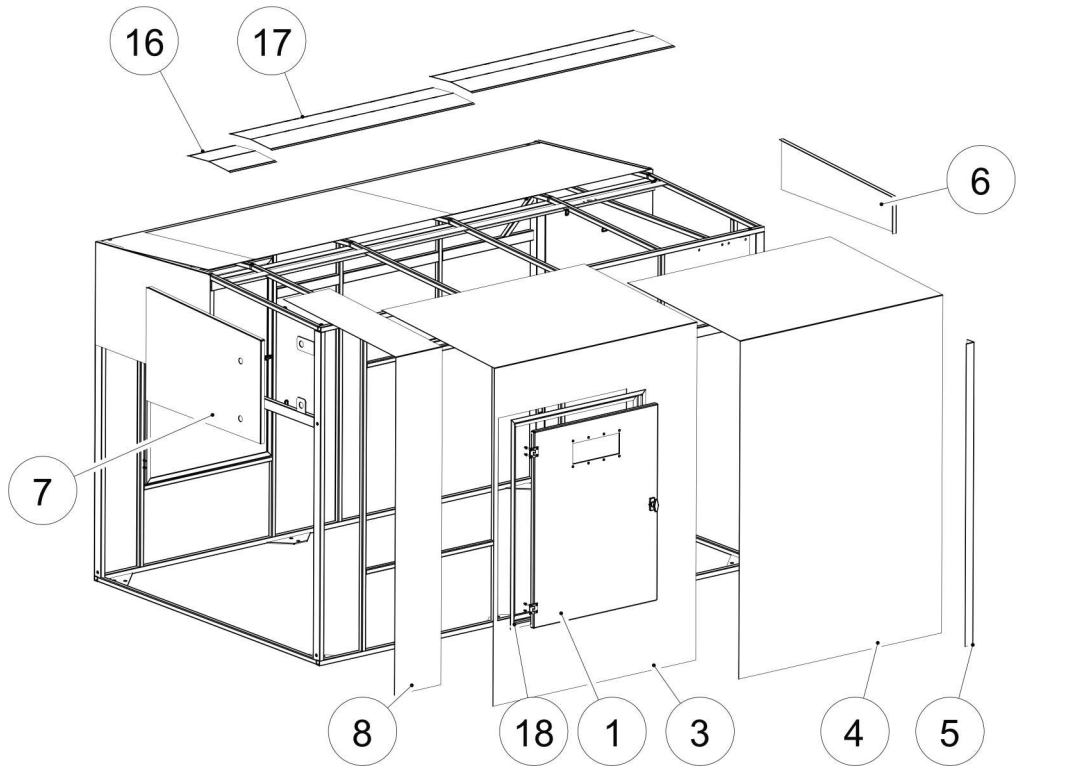




**Central Mobile Enclosure
600 GTS Series
Enclosure**

S/N: 134601 -
S/N: Current
PAGE: 1.1.2

Item No.	Part No.	Description	Qty.
1		PANELLING - see page 1.1.3	
2	002-900726	LIGHT CLEARANCE AMBER SURF MT	2
3	001-704113	SCRW D/T #10X1-1/4 PAN HD/SQ SKT DR	18
4	002-900759	CVR RCPT FLANGED INLET TWIST LOCK W/P	1
5	002-900758	RCTP FLANGED INLET TWIST LOCK 30A 125/250V	1
6	001-900736	EYEBOLT 9/16 UNC X 1-3/4 PNTD BLK	4
7	001-900737	NUT LKG NYL 9/16 UNC PLD	4
8A	002-900727	LIGHT STROBE GREEN 120V (OBS: USE 002-906924)	1
8B	006-900930	BULB STROBE 129Z <small>Replacement bulb for 002-900727</small>	1
8C	002-906924	LIGHT STROBE LP3T-120G	1
8D	006-906925	LIGHT STROBE BULB LP3T-120G <small>Replacement bulb for 002-906924</small>	1
8E	006-906926	LIGHT STROBE GREEN CVR LP3T-120G <small>Replacement cover for 002-906924</small>	1
8F	006-906927	LIGHT STROBE MNT AND GSKT KIT LP3T-120G <small>Replacement gasket and mount for 006-906925</small>	1
9	002-903029	LIGHT BAR RED 3 LIGHT LED	1
10	002-900724	LIGHT BAR LED SLIMLITE COURTESY	2
11	004-900741	SIGHT GLASS SHIELD GLY TANK 600GTS	1
	004-901168	SIGHT GLASS SHIELD GLY TANK 600GTS GRN	1
12	011-704699	NIPL COMB 1/2NPTX1/2HB 90DEG BRS	2
13	004-900742	MNT BRKT SIGHT GLASS SHIELD 600GTS	2
	004-901169	MNT BRKT SIGHT GLASS SHIELD 600GTS GRN	2
14	016-900748	TUBING CLEAR 1/2ID VINYL	10in
15	001-700629	SCRW D/T 10-16X3/4 5/16HEX HD PLD	4
16	011-703047	FTG BHD CPLG BRS 1/2 FPT	2
17	011-702608	ELB 1/2X90DEG BRS NPTF	2
18	011-703574	NIPL 1/2X1-1/2 BRS NPT	2
19	011-700115	VLV BALL 1/2 400WOG STD BRS CGA NPTF	2
20	011-702565	NIPL COMB 1/2NPTX1/2HB BRS	2
21	001-702552	CLP 2-EAR #22SS - 1/2ID HOSE	4

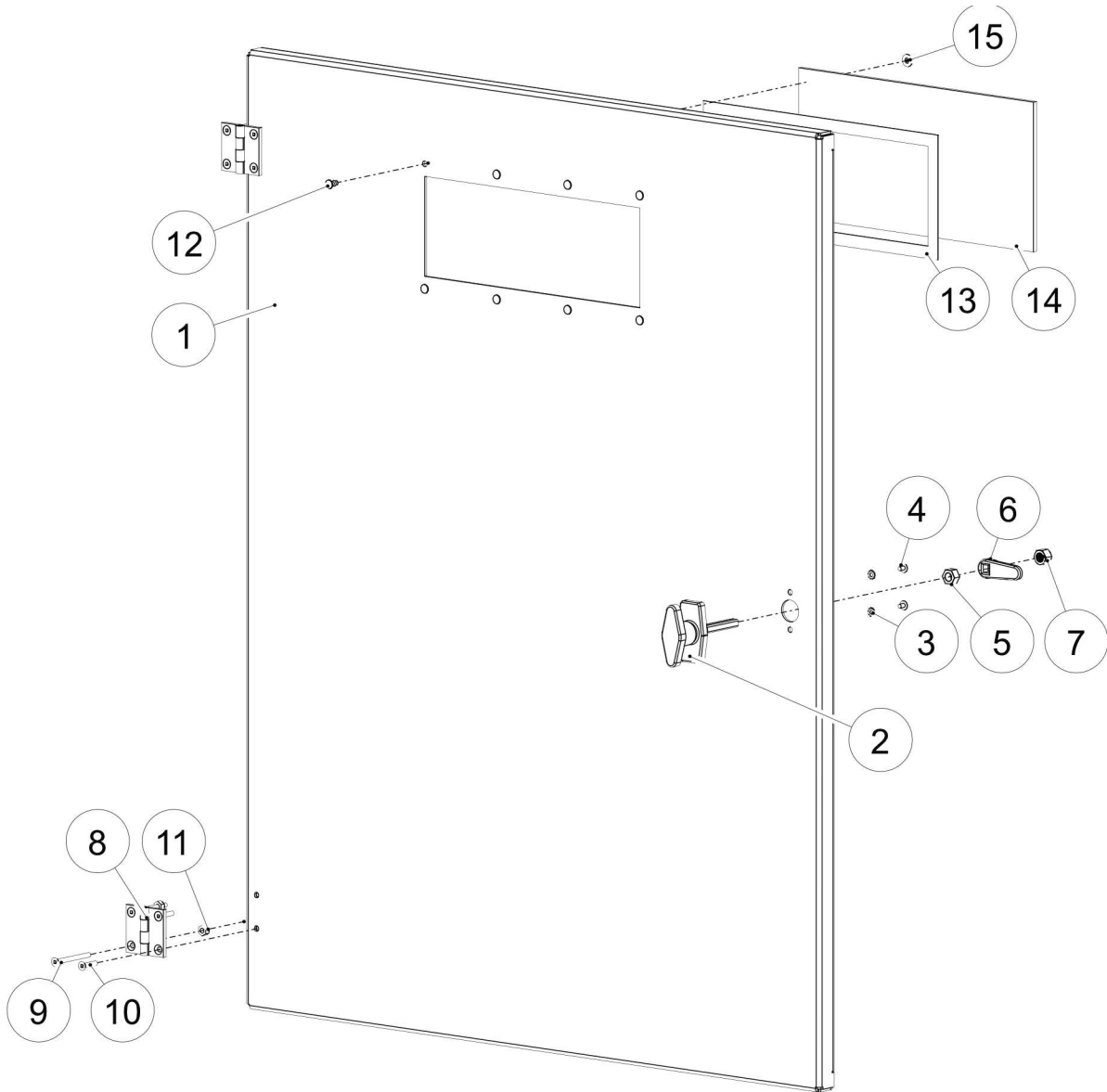




**Central Mobile Enclosure
600 GTS Series
Enclosure Panels**

S/N: 134601 -
S/N: Current
PAGE: 1.1.4

Item No.	Part No.	Description	Qty.
1		DOOR WITH WINDOW - see page 1.1.5	
2		DOOR WITHOUT WINDOW - see page 1.1.7	
3	004-902725	PNL ENC SIDE L CNTR 600GTS	1
	004-903304	PNL ENC SIDE L CNTR 600GTS GRN	1
4	004-902724	PNL ENC SIDE L REAR 600GTS	1
	004-903303	PNL ENC SIDE L REAR 600GTS GRN	1
5	004-902721	PNL ENC REAR CORNER L 600GTS	1
	004-903300	PNL ENC REAR CORNER L 600GTS GRN	1
6	004-902723	PNL ENC REAR L TOP 600GTS	1
	004-903302	PNL ENC REAR L TOP 600GTS GRN	1
7	004-902719	PNL ENC FRT L 600GTS	1
	004-903298	PNL ENC FRT L 600GTS GRN	1
8	004-902726	PNL ENC SIDE L FRT 600GTS	1
	004-903305	PNL ENC SIDE L FRT 600GTS GRN	1
9	004-902718	PNL ENC FRT R 600GTS	1
	004-903297	PNL ENC FRT R 600GTS GRN	1
10	004-902729	PNL ENC SIDE R FRT 600GTS	1
	004-903308	PNL ENC SIDE R FRT 600GTS GRN	1
11	004-902728	PNL ENC SIDE R CNTR 600GTS	1
	004-903307	PNL ENC SIDE R CNTR 600GTS GRN	1
12	004-902727	PNL ENC SIDE R REAR 600GTS	1
	004-903306	PNL ENC SIDE R REAR 600GTS GRN	1
13	004-902720	PNL ENC REAR CORNER R 600GTS	1
	004-903299	PNL ENC REAR CORNER R 600GTS GRN	1
14	004-902722	PNL ENC REAR R TOP 600GTS	1
	004-903301	PNL ENC REAR R TOP 600GTS GRN	1
15	004-902879	FRAME ENCL 600GTS	1
16	004-902731	PNL ENC ROOF CAP SHORT 600GTS	1
	004-903310	PNL ENC ROOF CAP SHORT 600GTS GRN	1
17	004-902730	PNL ENC ROOF CAP LONG 600GTS	2
	004-903309	PNL ENC ROOF CAP LONG 600GTS GRN	2
18	018-900772	ASSY FRAME DOOR SIDE 600-GTS	2
	018-901174	ASSY FRAME DOOR SIDE 600GTS GRN	2

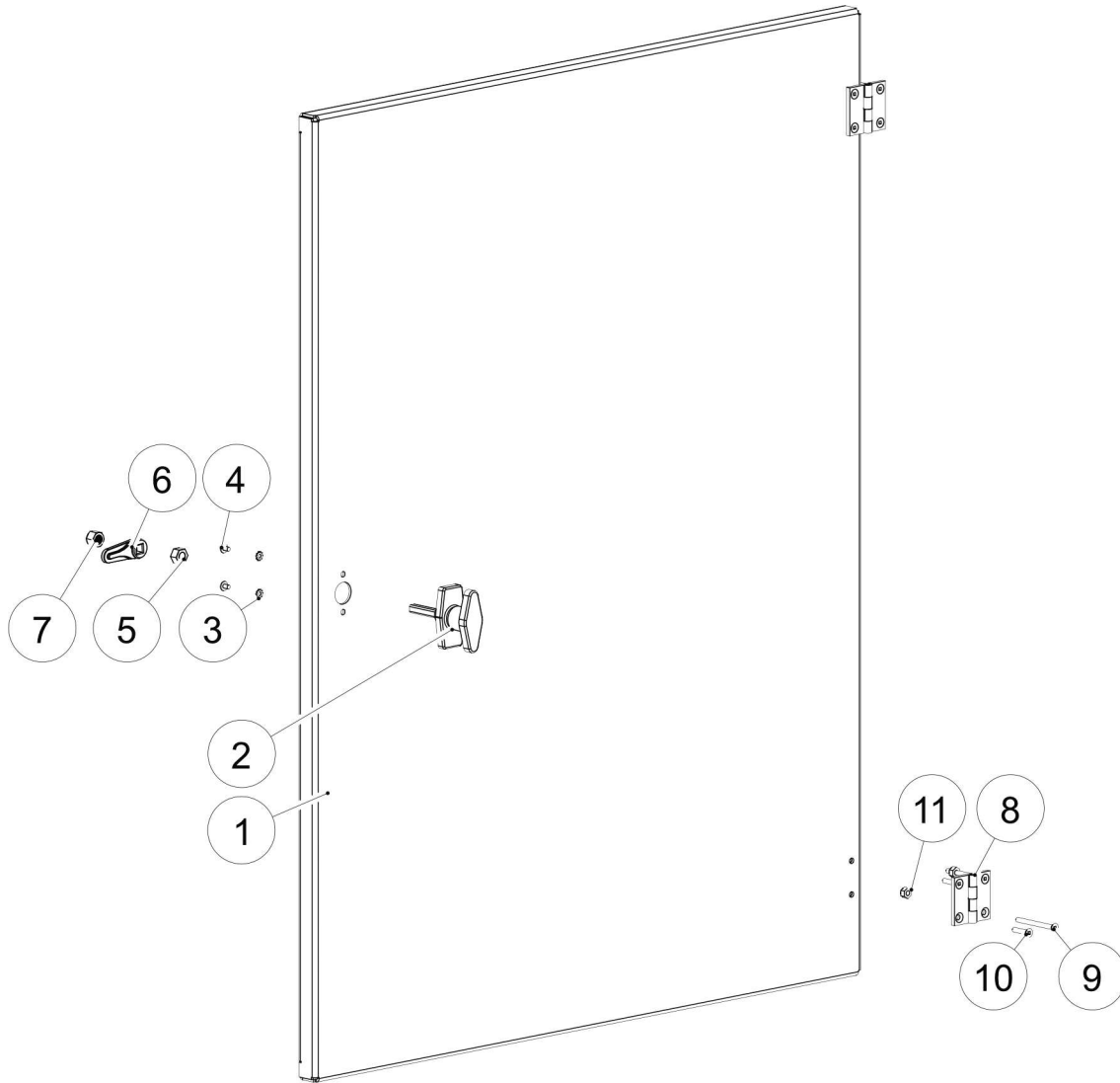




**Central Mobile Enclosure
600 GTS Series
Door With Window**

S/N: 134601 -
S/N: Current
PAGE: 1.1.6

Item No.	Part No.	Description	Qty.
	018-901216	ASSY DOOR SIDE 600-GTS (Includes 1-11)	1
	018-901217	ASSY DOOR SIDE 600GTS GRN (Includes 1-11)	1
	018-905857	PKG HNDL T-LKG SS T305-90 <u>KEY AH112</u> CW CAM & NUT (Includes 2-7 & Key)	1
	018-905858	PKG HNDL T-LKG CHROME 2.5IN <u>KEY CH751</u> CW CAM & NUT (Includes 2-7 & Key)	1
1	004-900901	PNL DOOR 29-1/2X38-1/2 LESS WINDOW	1
	004-901173	PNL DOOR 29-1/2X38-1/2 LESS WINDOW GRN	1
2A	017-704486	HNDL T-LKG SS T305-90 <u>KEY AH112</u>	1
2B	017-904514	HNDL T-LKG CHROME 2.5IN THRD SHAFT <u>KEY CH751</u>	1
3	001-900778	WSHR STAR #8 STUD EXT TOOTH	2
4	001-900779	SCRW MACH 8-32X1/4 PANHEAD	2
5	001-704695	NUT 3/8-24 UNF	1
6	017-704694	LOCK CAM C15 ZINC	1
7	001-903811	NUT LKG NYL 3/8 UNF 24THRD GR5 PLD	1
8	017-900607	HINGE SURFACE-MT 316 SS POLISHED 2H X 2W	2
9	001-906024	SCRW MACH 10-24X2L FLAT HD SS SQ DR	4
10	001-906025	SCRW MACH 10-24X3/4L FLAT HD SS SQ DR	4
11	001-703910	NUT LKG #10-24 SS UNC	8
		The following components may not be shown	
	006-903096	<u>KEY AH112</u> T LKG HNDL SS T305-90	1
	006-904755	<u>KEY CH751</u> T-LKG HNDL CHROME 4IN	1

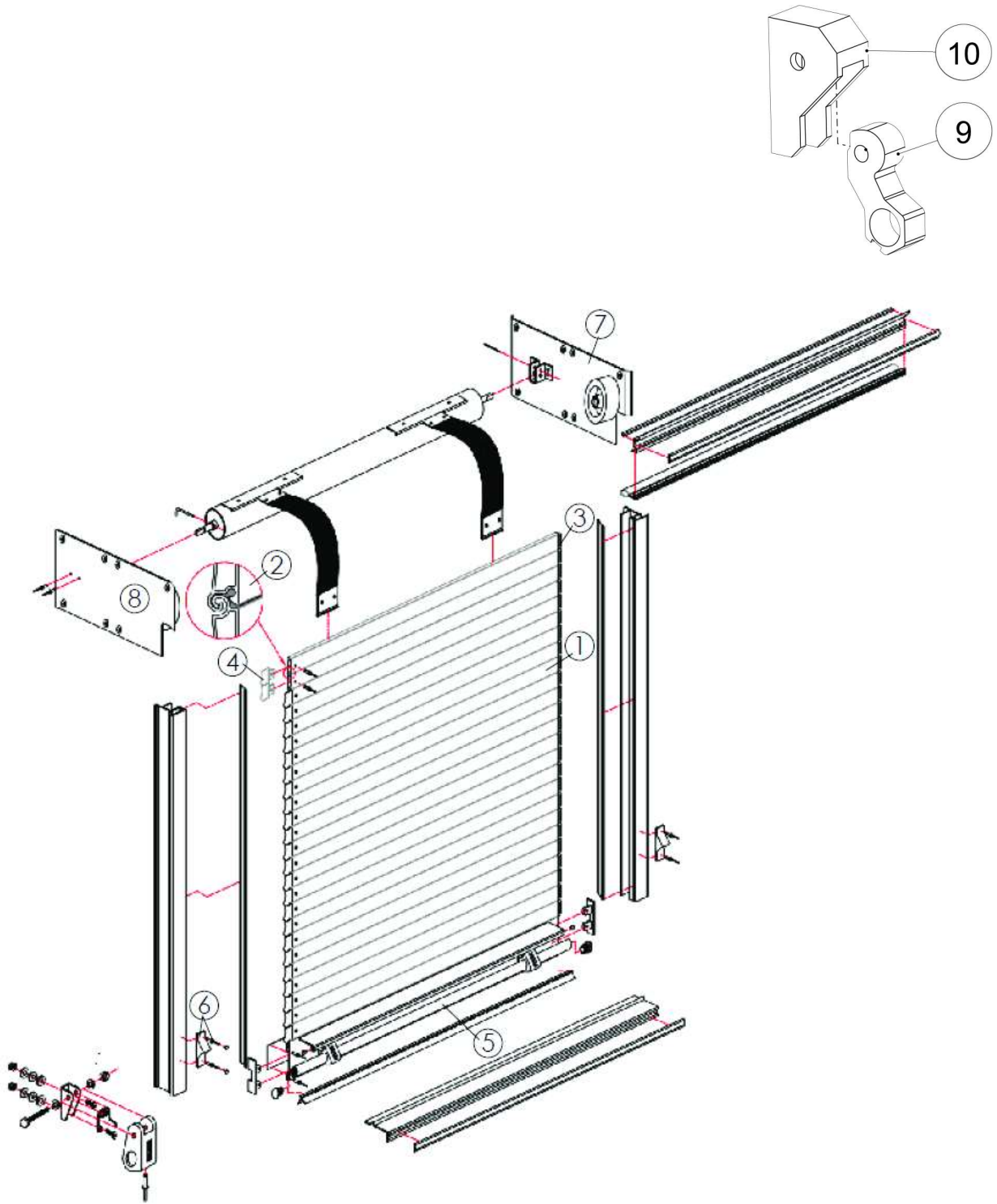




**Central Mobile Enclosure
600 GTS Series
Door Without Window**

S/N: 134601 -
S/N: Current
PAGE: 1.1.8

Item No.	Part No.	Description	Qty.
	018-901216	ASSY DOOR SIDE 600-GTS (Includes 1-11)	1
	018-901217	ASSY DOOR SIDE 600GTS GRN (Includes 1-11)	1
	018-905857	PKG HNDL T-LKG SS T305-90 <u>KEY AH112</u> CW CAM & NUT (Includes 2-7 & Key)	1
	018-905858	PKG HNDL T-LKG CHROME 2.5IN <u>KEY CH751</u> CW CAM & NUT (Includes 2-7 & Key)	1
1	004-900901	PNL DOOR 29-1/2X38-1/2 LESS WINDOW	1
	004-901173	PNL DOOR 29-1/2X38-1/2 LESS WINDOW GRN	1
2A	017-704486	HNDL T-LKG SS T305-90 <u>KEY AH112</u>	1
2B	017-904514	HNDL T-LKG CHROME 2.5IN THRD SHAFT <u>KEY CH751</u>	1
3	001-900778	WSHR STAR #8 STUD EXT TOOTH	2
4	001-900779	SCRW MACH 8-32X1/4 PANHEAD	2
5	001-704695	NUT 3/8-24 UNF	1
6	017-704694	LOCK CAM C15 ZINC	1
7	001-903811	NUT LKG NYL 3/8 UNF 24THRD GR5 PLD	1
8	017-900607	HINGE SURFACE-MT 316 SS POLISHED 2H X 2W	2
9	001-906024	SCRW MACH 10-24X2L FLAT HD SS SQ DR	4
10	001-906025	SCRW MACH 10-24X3/4L FLAT HD SS SQ DR	4
11	001-703910	NUT LKG #10-24 SS UNC	8
		The following components may not be shown	
	006-903096	<u>KEY AH112</u> T LKG HNDL SS T305-90	1
	006-904755	<u>KEY CH751</u> T-LKG HNDL CHROME 4IN	1

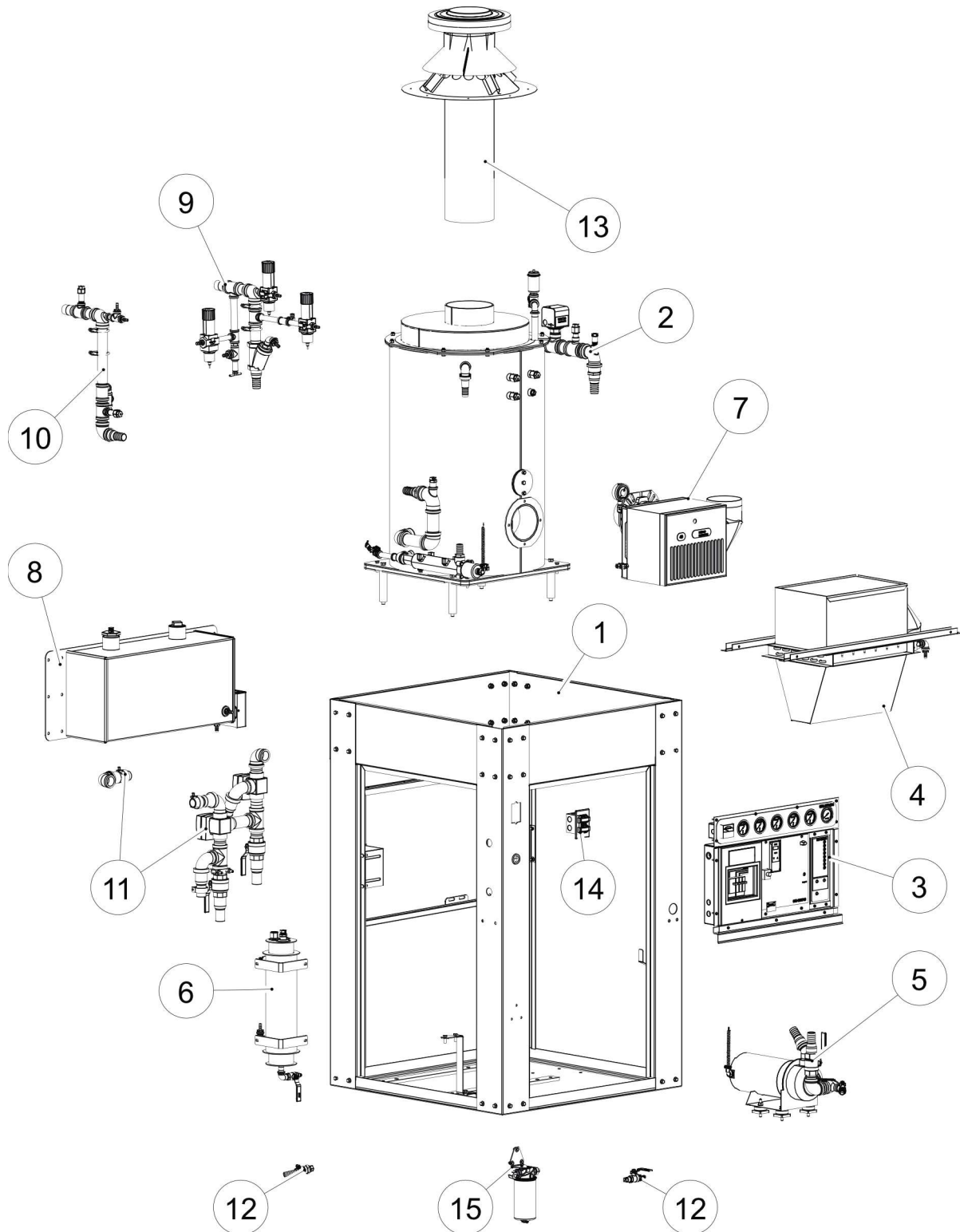




**Central Mobile Enclosure
600 GTS Series
Dover Door**

S/N: 134601 -
S/N: Current
PAGE: 1.1.10

Item No.	Part No.	Description	Qty.
	012-900721	DOOR ROLLUP DOVER 64WX60H (Includes all below)	1
1	006-902585	SLAT ANODIZED DOVER DOOR 62-3/8L	
2	006-902586	SEAL JOINT SLAT DOVER DOOR 62-3/8L	
3	006-902587	END CAP LEFT HAND SLAT DOVER DOOR	
4	006-902588	END CAP RIGHT HAND SLAT DOVER DOOR	
5	006-903208	HDL LOCK-BAR SS 7/8X63L DOVER DOOR GTS600	1
6	006-902590	STRIKER NYL BLK DOVER DOOR	2
7	006-902591	MNT RLR HEAD PLT DOVER DOOR LH	1
8	006-902592	MNT RLR HEAD PLT DOVER DOOR RH	1
9	006-905928	BAR LOCK HOLDER-PIVOT DOVER DOOR	2
10	006-905929	BAR LOCK COVER HOLDER DOVER DOOR	2
		The following components may not be shown	
	006-902593	GUIDE TRACK SIDE FIX LEFT DOVER DOOR	1
	006-902594	GUIDE TRACK SIDE FIX RIGHT DOVER DOOR	1
	006-902589	LOCK CAM 501 DOVER DOOR	
	006-903095	KEY CH501 DOVER ROLLUP DOOR	

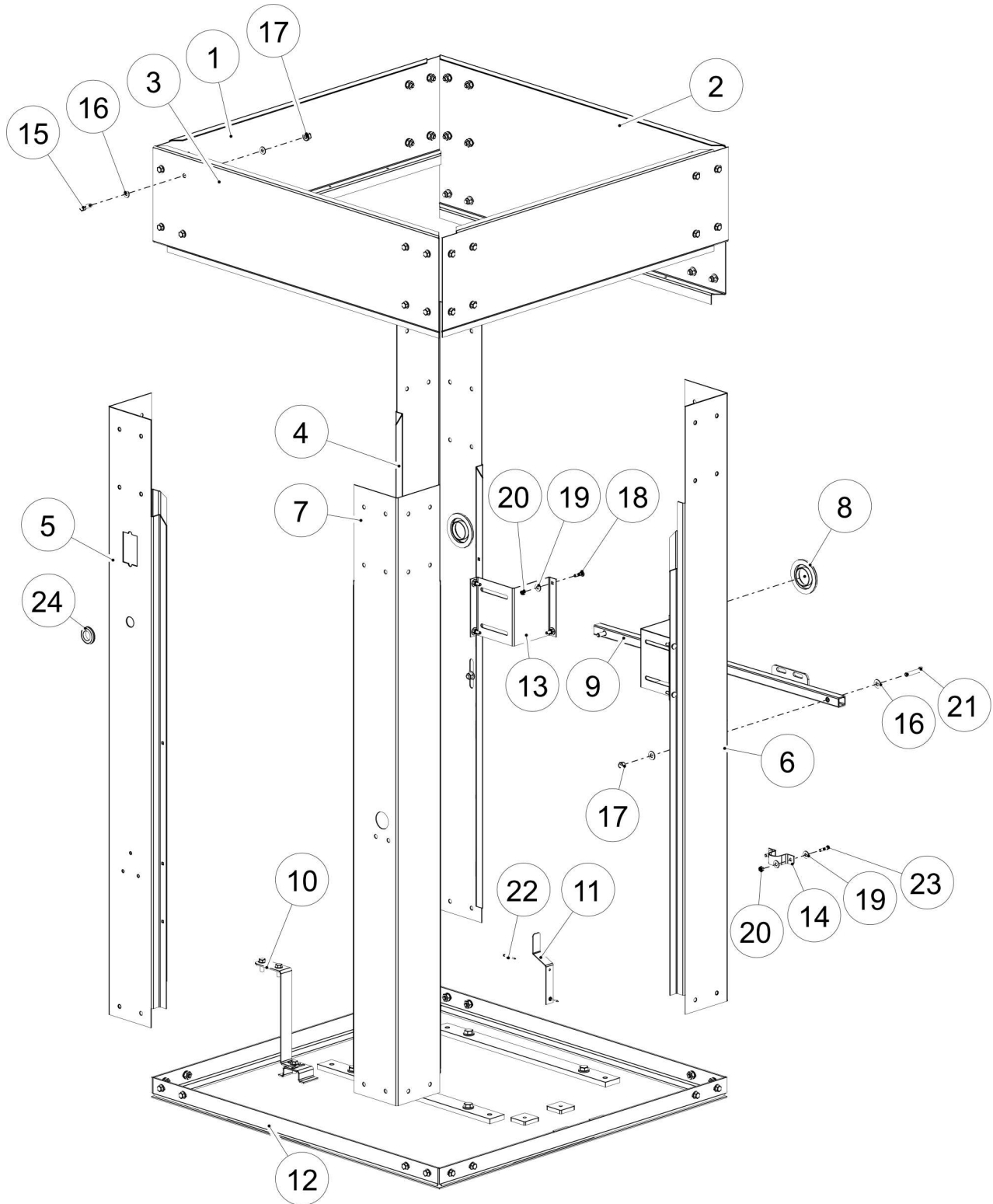




**Central Mobile Enclosure
600 GTS Series
Heat Exchanger**

S/N: 134601 -
S/N: Current
PAGE: 2.1.2

Item No.	Part No.	Description	Qty.
1		HEAT EXCHANGER ENCLOSURE - see page 2.1.3	
2		HEAT EXCHANGER - see page 2.1.5	
3		CONTROL PANEL - see page 2.1.11	
4		AIR PREHEATER - see page 2.1.13	
5		PUMP - see page 2.1.15	
6		FUEL PREHEATER - see page 2.1.19	
7		BURNER - see page 2.1.21	
8		GLYCOL TANK - see page 2.1.23	
9		SUPPLY PLUMBING - see page 2.1.27	
10		RETURN PLUMBING - see page 2.1.29	
11		FLOW REVERSER - see page 2.1.31	
12		MISCELLANEOUS PLUMBING - see page 2.1.25	
13		CHIMNEY - see page 2.1.33	
14		ELECTRICAL - see page 2.1.35	
15		FUEL FILTER - see page 2.1.37	

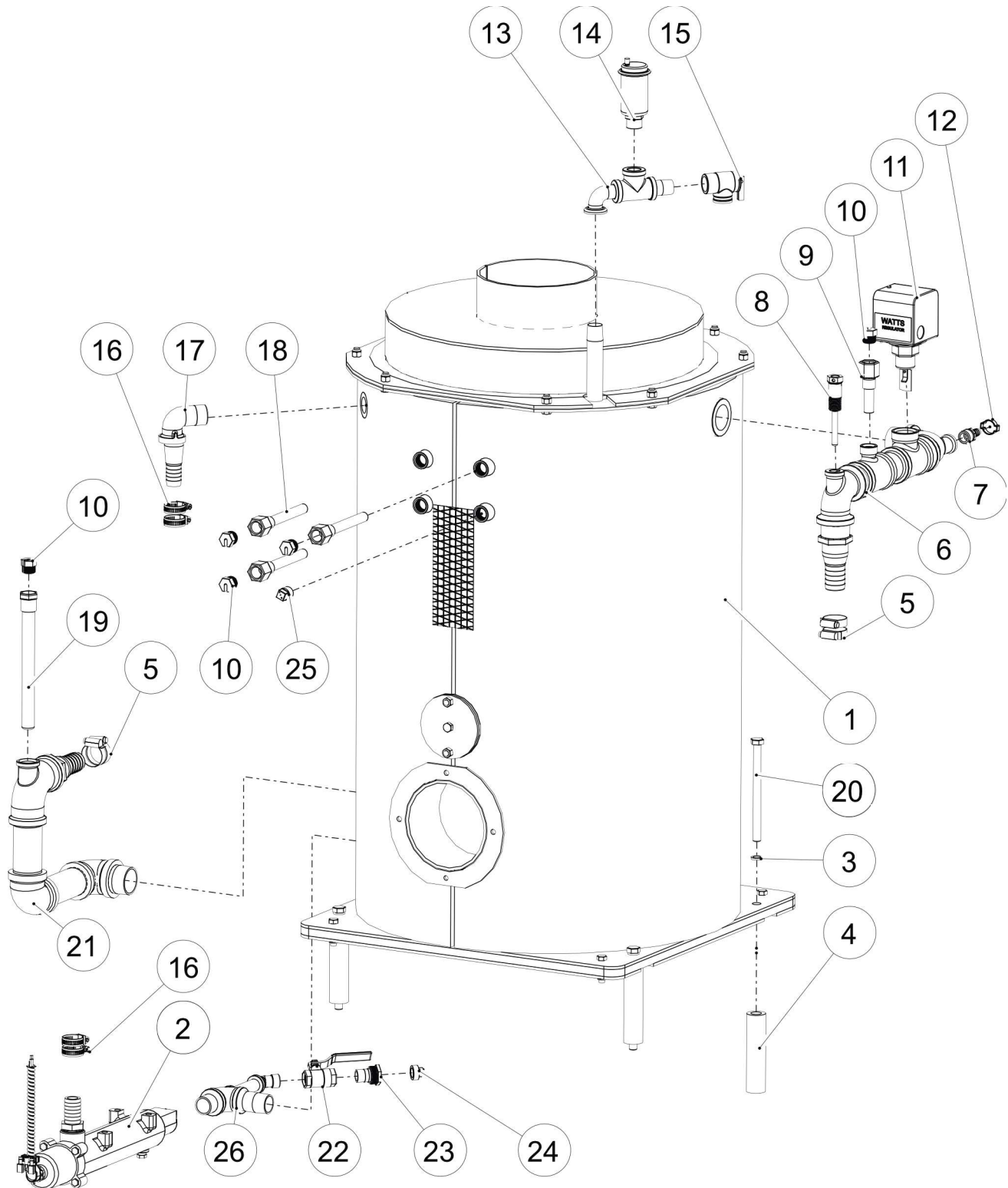




**Central Mobile Enclosure
600 GTS Series
Heat Exchanger Enclosure**

S/N: 134601 -
S/N: Current
PAGE: 2.1.4

Item No.	Part No.	Description	Qty.
1	004-702525	PNL SIDE TOP RAIL MOD 2100-0400 CAB R01	2
2	004-702468	PNL REAR TOP RAIL MOD 2100 CAB R01	1
3	004-900714	PNL FRONT TOP RAIL MOD 2100-600-GTS CAB	1
4	004-900716	CORNER POST LEFT REAR MOD 2100-0600-GTS CAB	1
5	004-702522	CORNER POST LEFT FRT MOD 2100-0400 CAB R02	1
6	004-900713	CORNER POST RIGHT REAR MOD 2100-0600-GTS CAB	1
7	004-903674	CORNER POST RIGHT FRT 600GTS-DG CAB	1
8	009-700034	GROM 1.52X2.625 RBR PIPE 1-1/4	2
9	004-900661	MOUNT ASSY PLMB FLOW REV 600GTS	1
10A	004-902835	BRKT MNT CIRC HTR 9-5/8L C/W SLOT (S/N: 1346-01 to 1633-15)	1
10B	004-702738	BRKT MNT CRC HTR 10-3/4L MOD 2100 (S/N: 1744-01 to Current)	1
11	004-701406	BRKT FLUSH HOSE RTNR MOD2000 CAB RAYPAK	1
12	004-900481	BASE MOD 2100-600-GTS	1
13	004-702526	BRKT PLMB MNT MOD 2100-0400 CAB R01	2
14	001-700453	STRP PIPE HGR 1 LTDTY	1
15	001-700804	BOLT 3/8X1 PLD GR5	55
16	001-700742	WSHR FLT 5/16 PLD	108
17	001-700721	NUT LKG NYL 3/8 UNC PLD	53
18	001-701423	BOLT CRG 1/4X1 PLTD	8
19	001-700129	WSHR FLT 1/4 PLD	12
20	001-700042	NUT LKG NYL 1/4 UNC PLD	10
21	001-701498	BOLT 3/8X2 PLD	2
22	001-700803	RIVET 5/32 GRP .3125-.375 SS	2
23	001-700739	BOLT 1/4X1 PLD GR5	2
24	009-700192	GROM 1X1-3/8 RBR MOD 80 COIL	1
		The following components may not be shown	
	001-700474	BOLT 1/2X2 PLD GR5	4
	001-700100	WSHR FLT 1/2 PLT PLD	8
	001-701606	NUT LKG NYL 1/2 UNC PLD	4

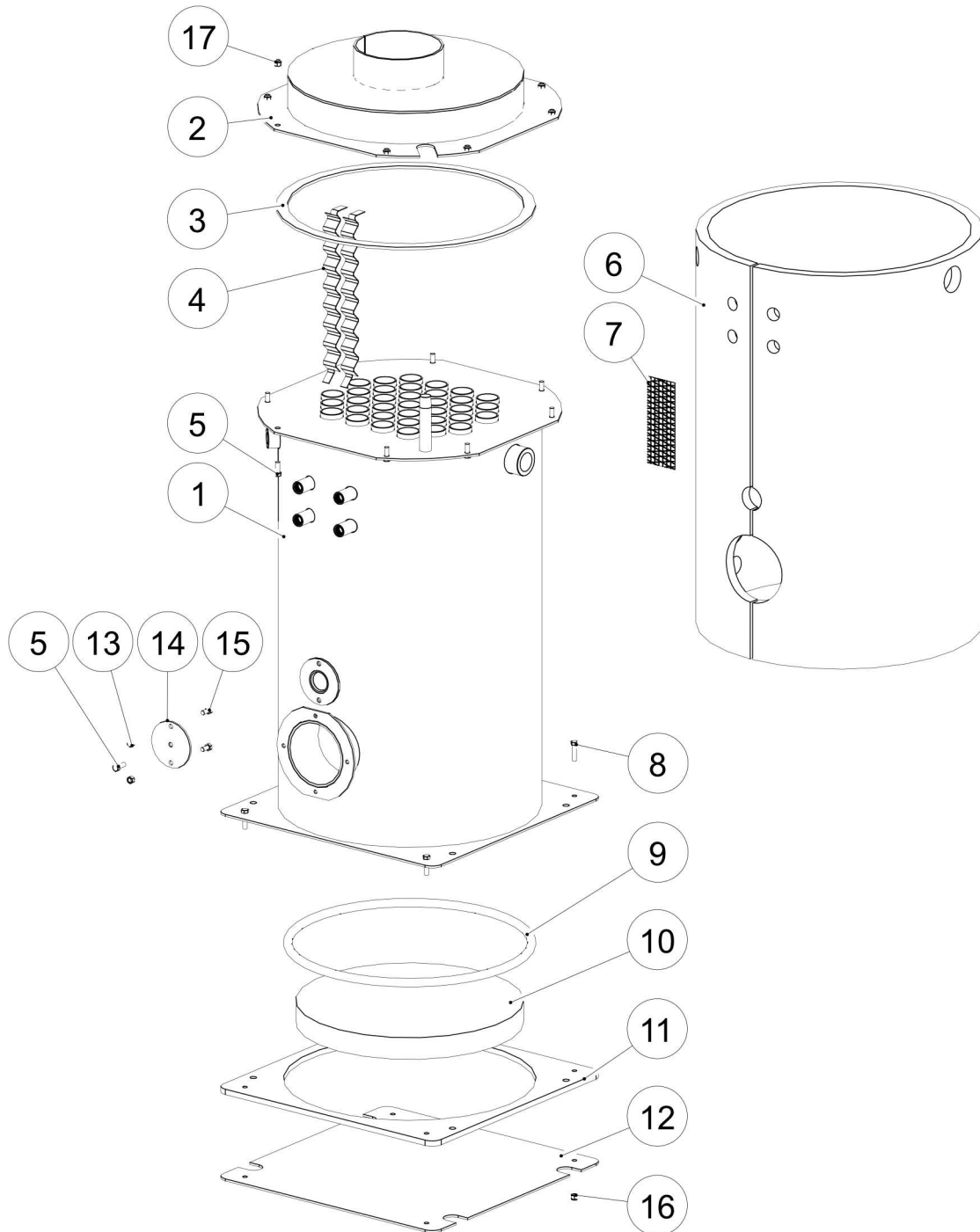




**Central Mobile Enclosure
600 GTS Series
Heat Exchanger**

S/N: 134601 -
S/N: Current
PAGE: 2.1.6

Item No.	Part No.	Description	Qty.
	018-900783	PKG HEAT EXCH MOD 2100-0600-GTS (Includes 1-26)	1
1		HEAT EXCHANGER - see page 2.1.7	
2		GLYCOL PREHEATER - see page 2.1.9	
3	001-700938	WSHR LOCK 1/2 PLD	4
4	004-704340	LEG HEAT EXCHANGER BK	4
5	001-700062	CLP HOSE HAS20 1-1/2 SLTD HEX HD	4
6	018-702539	PKG PLMB SPLY FROM HEAT EXCH MOD 2100-0400/0600	1
7	011-702565	NIPL COMB 1/2NPTX1/2HB BRS	1
8	005-704272	WELL THERM BULB ASSY 1/2IN NPT	1
9	005-702592	WELL THERM BRS 4-3/8IN .385 BORE 1/2IN NPT	1
10	005-702757	NUT SPLIT WELLCAP 3/4FINE THREAD	5
11	006-700778	CNTRL FLOW MULT PADDLE	1
12	001-702552	CLP 2-EAR #22SS - 1/2ID HOSE	1
13	018-702803	PKG PLMB PRESS RLF/AIR PURGE MOD 2100	1
14	011-702995	AIR VENT AUTO 3/4NPT 150PSI 240DEG F	1
15	011-702627	VLV SAFETY PRESS RLF 30PSI 3/4FPT	1
16	001-700275	CLP HOSE HAS16 SLTD HEX HD SS	4
17	018-702542	PKG PLMB CRCLT HTR OUTLET MOD 2100	1
18	005-702593	WELL THERM BRS 6-1/4IN .385 BORE 1/2IN NPT	3
19	005-700204	WELL F/AVTA/B 3/4 BRS BULB	1
20	001-900903	BOLT 1/2X6-1/2 GR8 UNC PLD	4
21	018-702546	PKG PLMB RETURN INTO HEAT EXCH MOD 2100-0400 R01	1
22	011-700115	VLV BALL 1/2 400WOG STD BRS CGA NPTF	1
23	011-700404	CPLR FEM GARD THD 1/2XSWVL NPTM	1
24	011-704470	PLUG GARDEN HOSE MALE BRS	1
25	011-702702	PLUG BRS 1/2 NPT SQ HD	1
26	018-702543	PKG PLMB CRCLT HTR INLET MOD 2100 R01	1

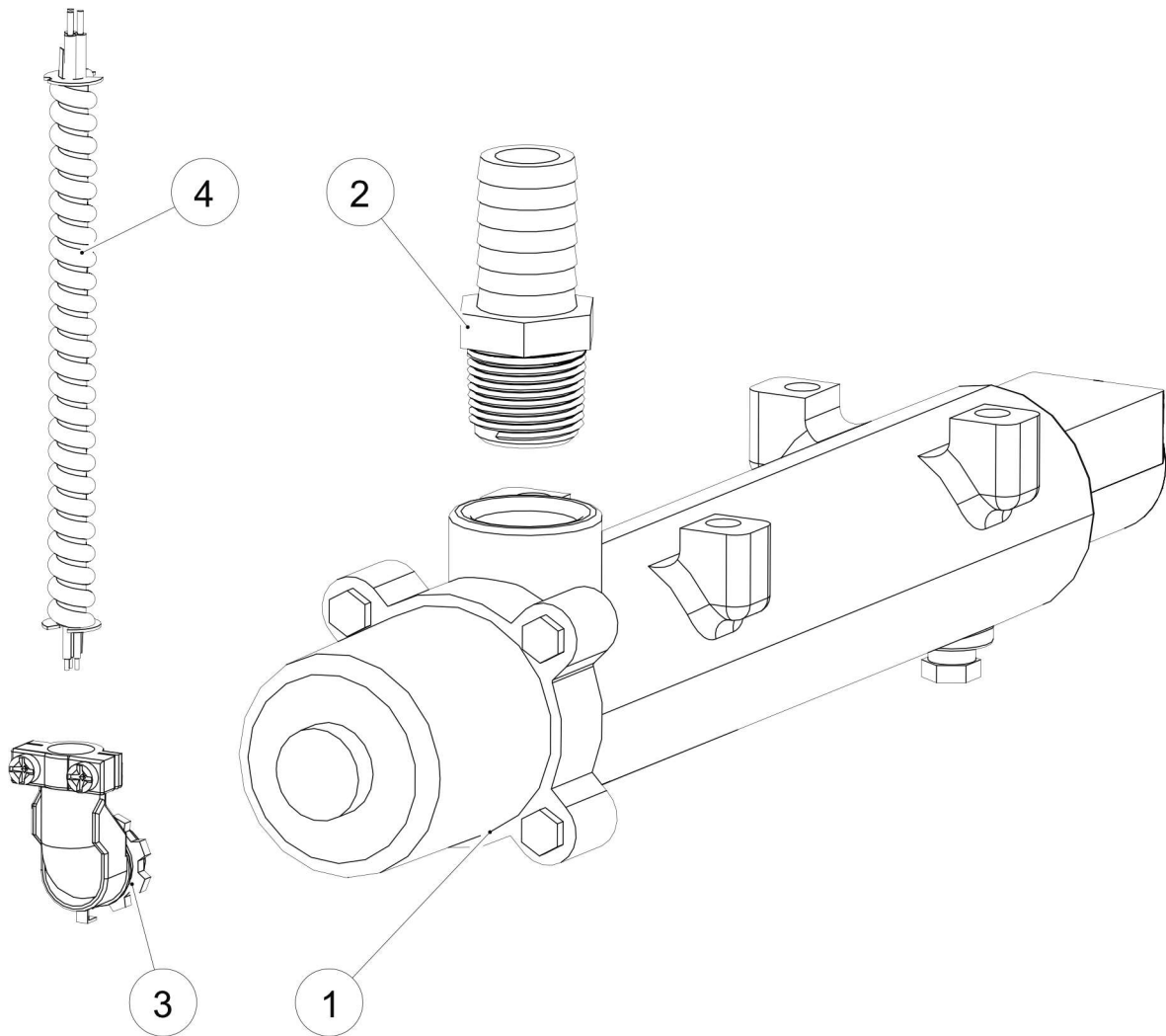




**Central Mobile Enclosure
600 GTS Series
Heat Exchanger**

S/N: 134601 -
S/N: Current
PAGE: 2.1.8

Item No.	Part No.	Description	Qty.
	004-702441	HEAT EXCHANGER FUEL-TO-GLY MOD 2100-0400 <small>(Includes 1-5, 8-16)</small>	1
1	004-900923	HEAT EXCHANGER 400-600	1
2	004-702933	COV TOP 2100-0400 HEAT EXCHANGER	1
3	021-704342 <small>015-903693</small>	GSKT HEAT RESIST 1/4x1 <small>CLKG STV/GSKT CEMENT (2000 DEG F) (Recommended with above)</small>	6FT
4	004-905094	PC 16GA A569 BAF 2100 LONG HE	35
5	001-700804	BOLT 3/8X1 PLD GR5	9
6	004-905273	INSUL HEAT EXCHANGER WRAP 2100-0400	1
7	001-702508	TAPE FSK 3IN X 150FT	8in
8	001-700720	BOLT 3/8X1-1/2 PLD GR5	4
9	021-704343 <small>015-903693</small>	GSKT HEAT RESIST 3/4IN DIA <small>CLKG STV/GSKT CEMENT (2000 DEG F) (Recommended with above)</small>	6FT
10	021-704341	INSUL HEAT RESIST HE	1
11	004-704338	PC 1/2 A36 SPCR BOT HE	1
12	004-704339	PC 3/16 A36 COV BOT HE	1
13	001-700890	NUT 3/8 PLD	3
14	004-704337 <small>010-702802</small>	ASSY INSP COV HEAT EXCHANGER <small>GSKT DURLON 4-1/4INB DIA (Recommended with above)</small>	6FT
15	001-700434	BOLT 3/8X3/4 PLD GR5	2
16	001-700721	NUT LKG NYL 3/8 UNC PLD	12

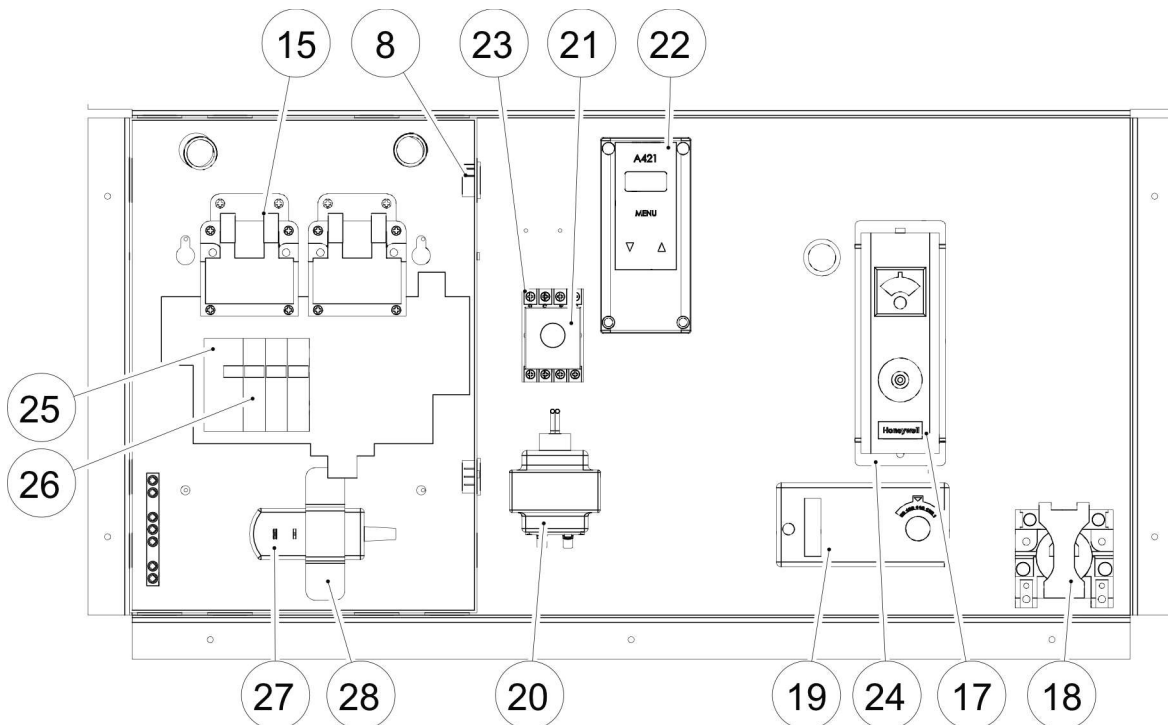
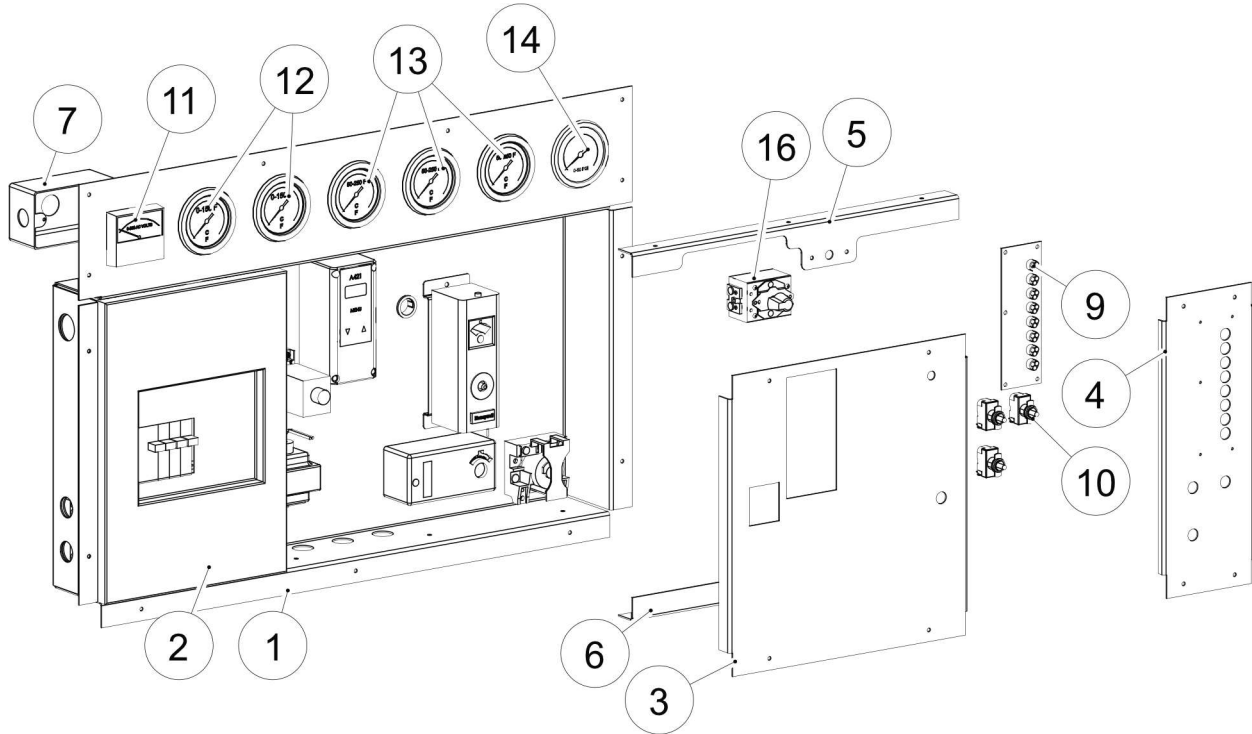




**Central Mobile Enclosure
600 GTS Series
Glycol Preheater**

S/N: 134601 -
S/N: Current
PAGE: 2.1.10

Item No.	Part No.	Description	Qty.
1	012-702513	HEATER CRCLT 4000W 240V	1
2	011-702153	NIPL COMB 1*1 BRS ADPTR	1
3	002-800025	CONNECTOR 3/8 90DEG BX/FLEX	1
4	002-702843	CONDUIT FLEX/AL 3/8	1
		The following components may not be shown	
	006-702894	ELEMENT CRCLT HTR 4000W 240V	1

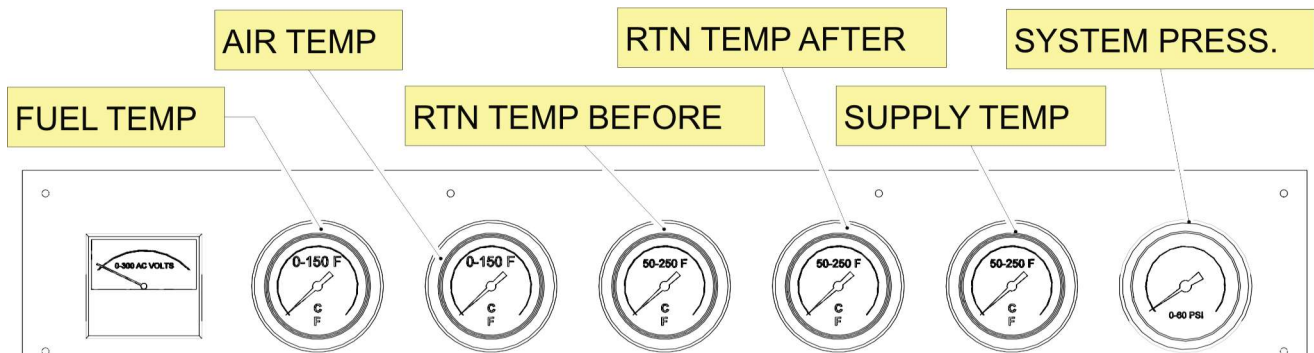




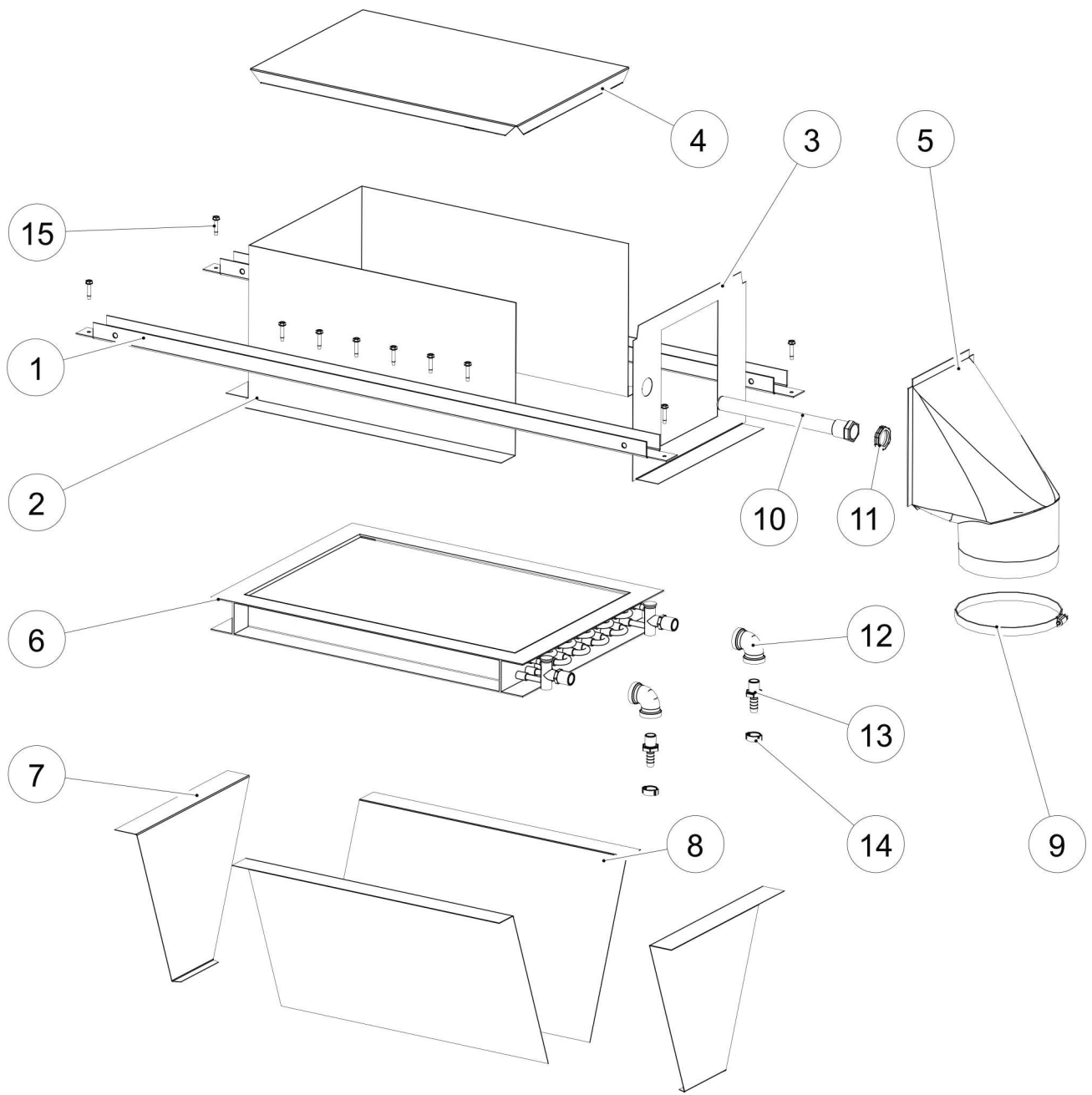
Central Mobile Enclosure 600 GTS Series Control Panel

S/N: 134601 -
S/N: Current
PAGE: 2.1.12

Item No.	Part No.	Description	Qty.
1	004-900670	BOX CTRL PNL MOD 2100-600-GTS	1
2	002-800029	BOX PNL Q06121L100TS SQ-D	1
3	004-900671	PNL CVR CTRL PNL MOD 2100-600-GTS	1
4	004-900672	PNL CVR LED/SW MOD 2100-600-GTS	1
5	004-702482	BRKT TOP CTRL PNL MOD 2100 R01	1
6	004-702483	BRKT BOT CTRL PNL MOD 2100 CAB R01	1
7	002-800031	BOX HANDY 4X2 1/2KO	1
8	002-701115	BSHG KO 1/2	6
9	005-702514	BOARD LED 6GRN-110V 2RED-24V	1
10	002-701359	SW TGL SPST 20A 125V SCRW TERM	3
11	005-702512 <small>006-703482</small>	GAUGE VOLT PNL 0-300V (Includes Resistor) <small>RESISTOR RCD K3-261 10W 27 KJ</small>	1
12	005-702509	GAUGE TEMP 60IN CPLRY 0-150 DEG F	2
13	005-701073	GAUGE TEMP 60IN CPLRY 40-240DEG F WIKA	3
14	005-703489	GAUGE PRESS 0-60PSI PNL 2-1/2IN WIKA	1
15	002-800038	RELAY 120V DPDT 30A/240V	2
16A	006-701532	HI-LIMIT G1-11452 (1223)	1
16B	006-904930	KNOB HI LIMIT PLASTIC 1-1/4 HEAD 8-32 SET SCREW	1
17	006-702140	CNTRL HI LIMIT MAN RESET	1
18	002-702466	RELAY 24V SPST-NC 30A/300V	1
19	005-703464	CONT TEMP JOHNSON (25-225F) SPDT	1
20	006-701213	XFMR 40VA 120V 60HZ 24V CLASS 2	1
21	005-900673	TIMER ELEC 8 PIN ADJ RCYCL IDEC RTE-P1AF20	1
22	005-903333 <small>018-903385</small>	CONT TEMP A421 ABC-02C -40 TO 212F <small>If replacing CONT TEMP A419 use Part No. 018-903385 (A419 OBSOLETE)</small>	1
23	005-900674	SOCKET 8 PIN DIN/SURFACE MNT SCREW TERM	1
24	004-900665	BRKT H LIM MOD2100-600-GTS	1
26	002-800040	BRKR PLUG-ON 15A SP	3
25	002-800066	BRKR PLUG-ON 15A 2P	1
27	002-903025	XFMR 120VAC/12VDC 2000MA	1
28	004-906027	BRKT MNT 12VDC XFMR FLUSH-MNT 1-15/16 L	1
		The following components may not be shown	
	011-701175	CPRSN FTG CON 1/4TX1/4 FPT	1
	001-700629	SCRW D/T 10-16X3/4 5/16HEX HD PLD	8
	005-900675	CLP HOLD DOWN ELEC TIMER	2
	005-906611	SNSR TEMP JOHNSON A99BB-200C <small>Replacement sensor only</small>	1



Control Panel

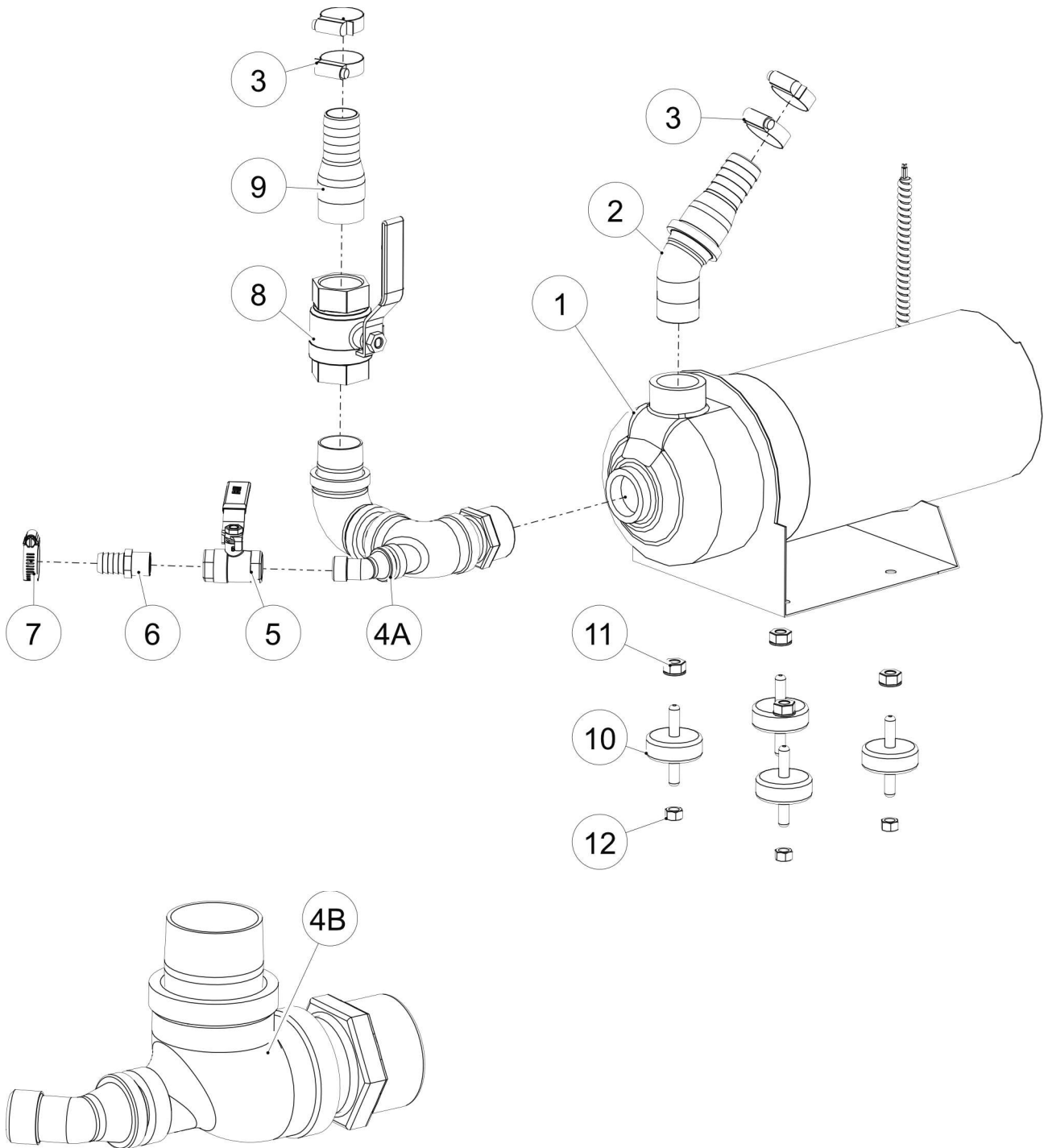




**Central Mobile Enclosure
600 GTS Series
Air Preheater**

S/N: 134601 -
S/N: Current
PAGE: 2.1.13

Item No.	Part No.	Description	Qty.
1	004-702480	BRKT MNT PHTR AIR 2100 CAB R01	2
2	004-702901	PNL BODY UPR DUCT AIR PRE-HTR MOD 2100	1
3	004-702902	PNL END UPR DUCT AIR PRE-HTR MOD 2100	1
4	004-702903	PNL TOP UPR DUCT AIR PRE-HTR MOD 2100	1
5	004-702520	DUCT TOP TAKE OFF 6 IN	1
6	012-702504	COIL AIR PREHEAT 12X18X2 ROW-8 FPI 1/2IN MPT	1
7	004-702905	PNL END LWR DUCT AIR PRE-HTR MOD 2100	2
8	004-702904	PNL SIDE LWR DUCT AIR PRE-HTR MOD 2100	2
9	001-702651	CLP HOSE HAS96 SLTD HEX HD SS	1
10	005-700204	WELL F/AVTA/B 3/4 BRS BULB	1
11	002-701133	LOCKNUT 3/4 STL CONDUIT	2
12	011-702608	ELB 1/2X90DEG BRS NPTF	2
13	011-702563	NIPL COMB 1/2NPTX3/8HB BRS	2
14	001-702551	CLP 2-EAR #18SS - 3/8ID HOSE	2
15	001-700629	SCRW D/T 10-16X3/4 5/16HEX HD PLD	16
		The following components may not be shown	
	013-702615	DUCT FLEX 6INX25FT THERMAFLEX	42in

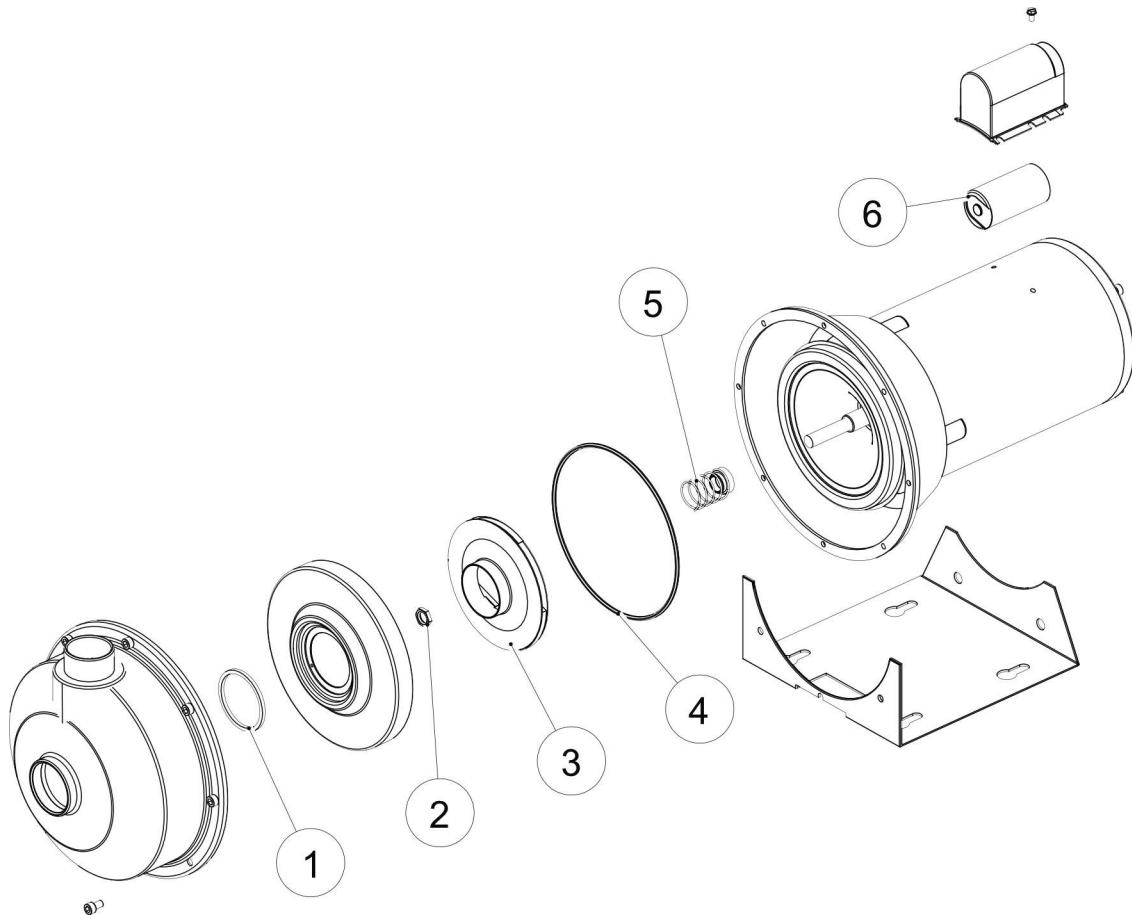




**Central Mobile Enclosure
600 GTS Series
Pump**

S/N: 134601 -
S/N: Current
PAGE: 2.1.16

Item No.	Part No.	Description	Qty.
1	012-905311	PUMP - see page 2.1.17	
2	018-702541	PKG PLMB PUMP OUTLET MOD 2100-0400 R02	1
3	001-700062	CLP HOSE HAS20 1-1/2 SLTD HEX HD	4
4A	018-903677	PKG PLMB PUMP INLET 600GTS-DG	1
4B	018-900719	PKG PLMB PUMP INLET MOD 2100-0600-GTS	1
5	011-700115	VLV BALL 1/2 400WOG STD BRS CGA NPTF	1
6	011-704508	NIPL COMB 1/2NPTx3/4HB BRS	1
7	001-701890	CLP HOSE 1-1/4 SIZE 12	1
8	011-700178	VLV BALL 1-1/4 400WOG FL PT BRS CGA NPTF	1
9	011-702063	NIPL COMB 1-1/4HB PNTD BLK	1
10	001-702461	MNT VIB NEOPRENE 3/8X1 THRD 2IN DIA X 3L	4
11	001-700721	NUT LKG NYL 3/8 UNC PLD	4
12	001-700890	NUT 3/8 PLD	4
		The following components may not be shown	
	013-700063	HOSE 1-1/4 VERSIFLO SUCT CW WIRE HLX	24in
	013-700063	HOSE 1-1/4 VERSIFLO SUCT CW WIRE HLX	26in





Central Mobile Enclosure 600 GTS Series Pump

S/N: 134601 -
S/N: Current
PAGE: 2.1.18

Item No.	Description	Part No.				
		012-800052 3/4 HP	012-800053 1 HP	012-905311 2 HP	012-800055 2 HP	012-702751 3 HP
1	SEAL RING GUIDEVANE G & L PUMP	006-703027	006-703008			
2	LOCKNUT IMPELLER G & L PUMP	006-703026				
3	IMPELLER G & L PUMP	006-703028	006-703029	006-703007	006-703030	006-703031
4	O-RING CASING G & L PUMP	006-703006				
5	SEAL MECH G & L PUMP	006-703005				
6A	CAPACITOR PUMP GOULDS	006-701171	006-702799	006-701171		006-703468
6B	CAPACITOR RUN PUMP GOULDS CAPACITOR RATING: 60µF 370V					006-906552
6C	CAPACITOR RUN PUMP GOULDS W/ NIDEC MOTOR CAPACITOR RATING: 40µF 370V					006-906922
6D	CAPACITOR START PUMP GOULDS W/ NIDEC MOTOR CAPACITOR RATING: 233-280µF 165V					006-906923
6E	CAPACITOR PUMP GOULDS W/ NIDEC MOTOR CAPACITOR RATING: 189-227µF 110V	006-906943				

REFER TO PUMP MOTOR NAME PLATE EXAMPLES PRIOR TO ORDERING CAPACITORS

NIDEC MOTOR NAME PLATE EXAMPLE

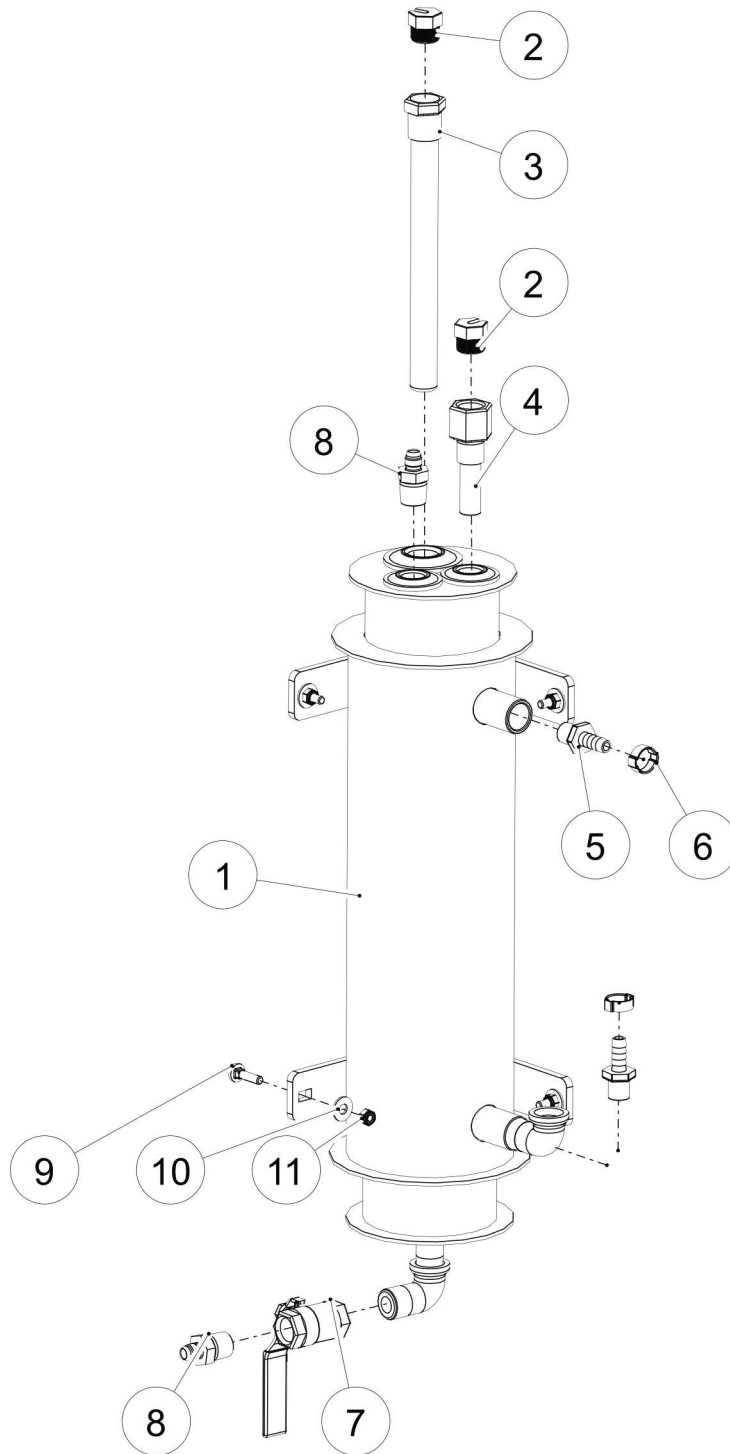
		CUST. NO. E09954BBS	
CAT. NO.	MODEL	INS F	AMB 40 °C PH 1 CODE E
TC635WCWB-1534			
TERMINALLY PROTECTED	AUTO	ENC	ODP
		FRAME	56J
		DUTY	CONT
		DATE CODE	
		PROT. CODE	00240
60 HZ DATA		50 HZ DATA	
3	HP	3	HP
3450	RPM	2850	RPM
208-230	VOLTS	220-230	VOLTS
14.0-13.0	F.L.A.	14.0-15.0	F.L.A.
1.15	S.F.A.	1.0	S.F.A.
16.0-14.0	S.F.A.	N/A	S.F.A.
CE IP22		N/A	
SUITABLE FOR FIELD WIRING. USE COPPER CONDUCTORS ONLY			
WARNING: MOTOR MUST BE GROUNDED IN ACCORDANCE WITH LOCAL AND NATIONAL ELECTRIC CODES. COMPONENT COVER MUST BE IN PLACE BEFORE OPERATING TO PREVENT ELECTRICAL SHOCK OR INJURY			

WEG, BLUFFTON MOTOR NAME PLATE EXAMPLE

		MAT 16350627 SERIAL 107319461	
HZ	60	HZ	50
V	115/208-230 V	V	115/230 V
HP	0.75	HP	0.75
RPM	3450	RPM	2875
FLA	9.2/4.6-4.6	FLA	12.2/6.1
SF	1.5	SF	1.00
SFA	12.0/6.5-6.0	SFA	
FR	56J	PH	1
INS	B	TYPE	U
ENC	DP	TEMP	40°C
CONT	CONT (S1)	REF	E05C12A1EB6G
INS	B	CAT	
ENC	DP		
CERT ID	4103007456		
DSN	22H0111 8		
WARNING: Always disconnect motor from power supply before servicing. Fatal shock may result if motor frame and adjacent metal are not grounded in compliance with electrical code.			
THERMALLY PROTECTED AUTOMATIC RESET Motor will restart without warning after protector trips. Do not install this motor on equipment where automatic startup could result in injury.			

HIGH VOLTAGE

LOW VOLTAGE

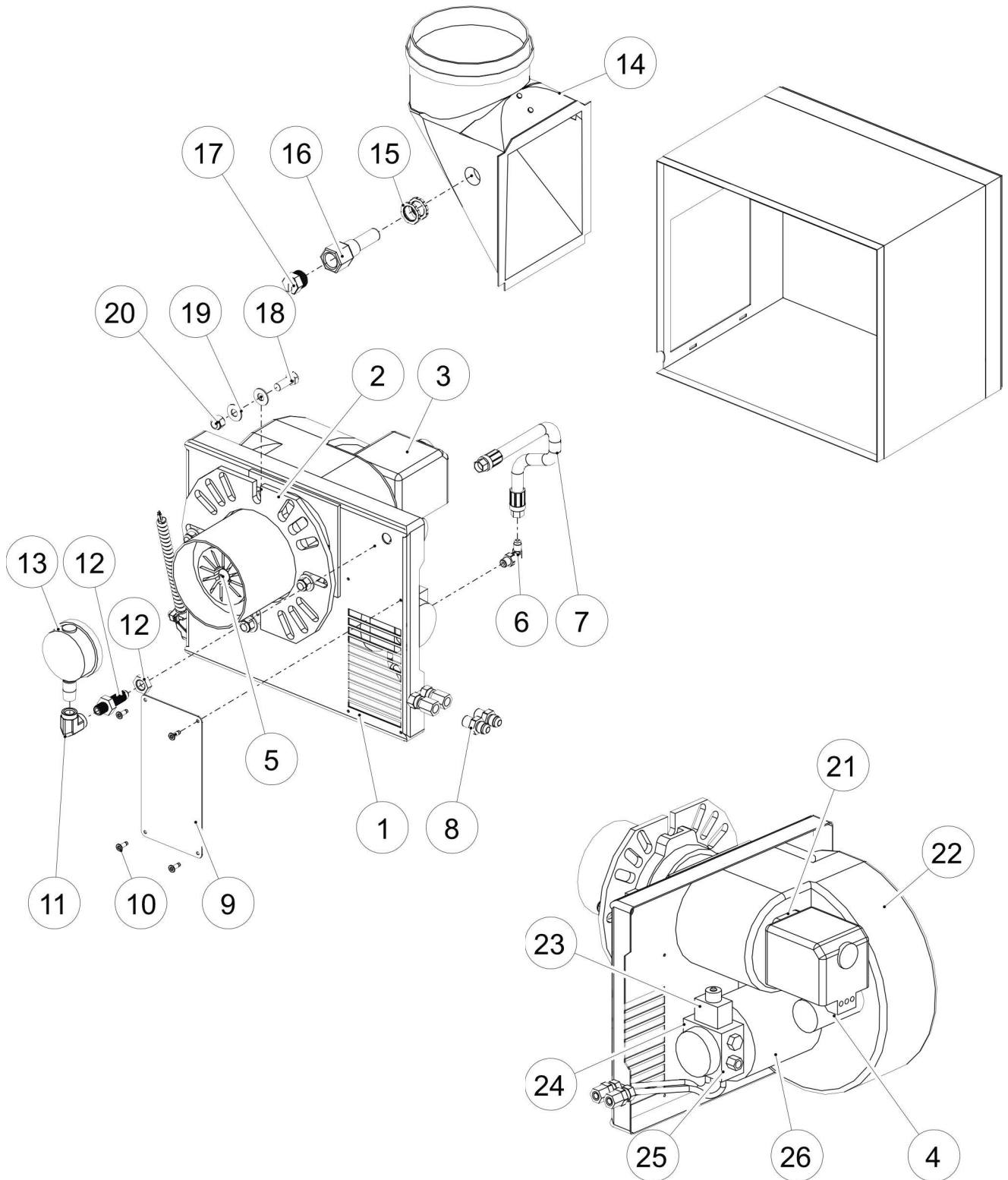




**Central Mobile Enclosure
600 GTS Series
Fuel Preheater**

S/N: 134601 -
S/N: Current
PAGE: 2.1.20

Item No.	Part No.	Description	Qty.
1	010-702585	PRE-HTR FUEL MOD 2100 R05	1
2	005-702757	NUT SPLIT WELLCAP 3/4 FINE THREAD	2
3	005-700204	WELL F/AVTA/B 3/4 BRS BULB	1
4	005-702592	WELL THERM BRS 4-3/8IN .385 BORE 1/2IN NPT	1
5	011-702563	NIPL COMB 1/2NPTX3/8HB BRS	2
6	001-702551	CLP 2-EAR #18SS - 3/8ID HOSE	2
7	011-700115	VLV BALL 1/2 400WOG STD BRS CGA NPTF	1
8	011-702625	ADPTR 1/2 NPT X #6JIC 37DEG FLARE	2
9	001-701423	BOLT CRG 1/4X1 PLTD	4
10	001-700129	WSHR FLT 1/4 PLD	4
11	001-700042	NUT LKG NYL 1/4 UNC PLD	4

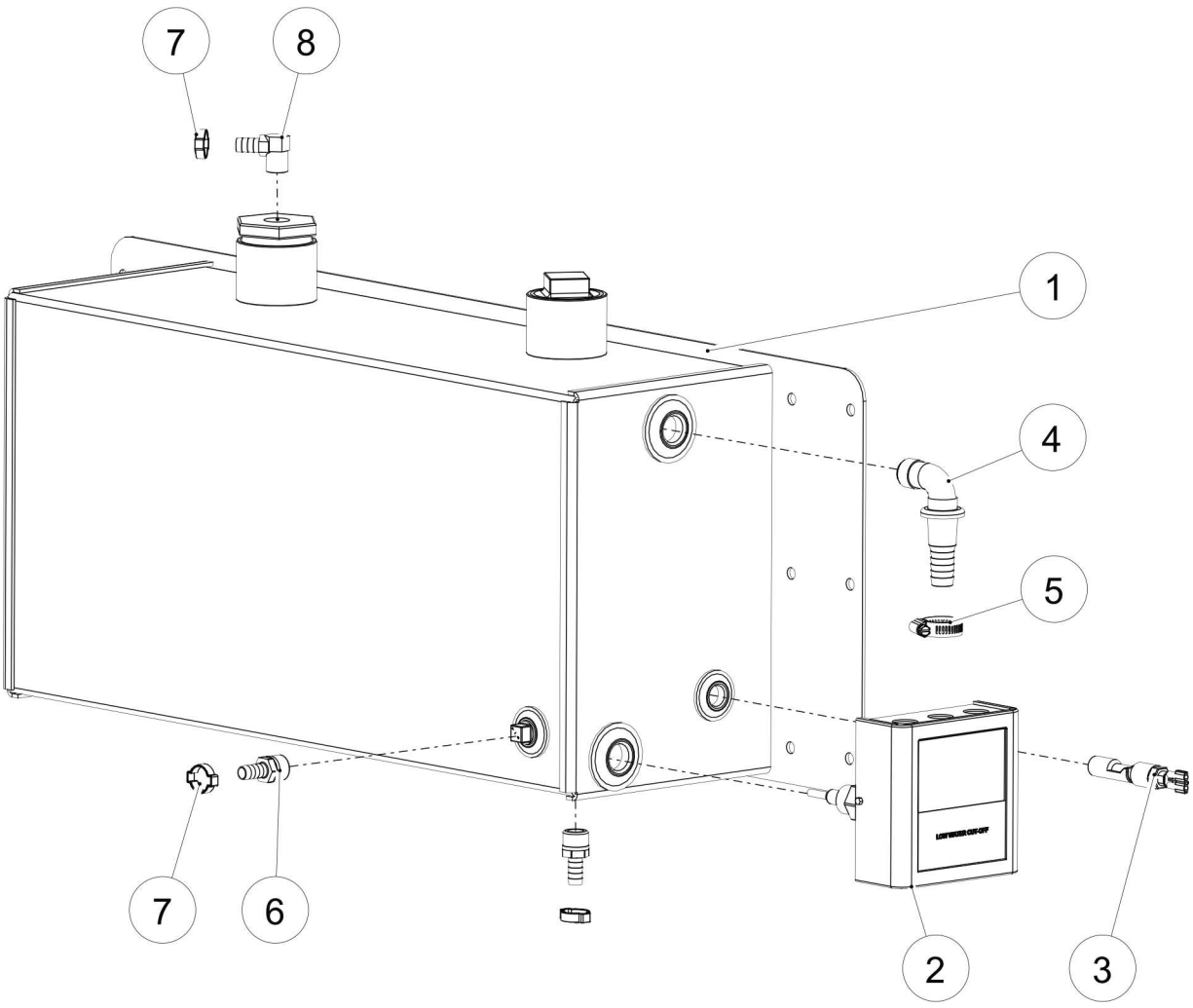




**Central Mobile Enclosure
600 GTS Series
Burner**

S/N: 134601 -
S/N: Current
PAGE: 2.1.22

Item No.	Part No.	Description	Qty.
	018-702970	PKG BURNER MOD 2100-0600 (Includes 1-17, 21-26)	1
1	012-702501	BURNER RIELLO 40-F20 FUEL OIL	1
	006-906338	CVR RIELLO F20 BURNER	1
2	006-702789	GSKT MNT RIELLO 40-F15/F20	1
3	006-702790	CNTRL PRIMARY RIELLO 40 F5/F20	1
4	006-702784	CAPACITOR RIELLO 40-F15/F20	1
5	011-702966	NOZZLE OIL BNR B 3.50X60DEG	1
6	011-702798	ADPTR 90DEG 1/8BSPP X 7/16JIC 37DEG FLARE	1
7	004-704661	FUEL LINE 1/4X10IN #6/#4JICF 37DEG STR SWVL	1
8	011-702660	ADPTR 1/4NPT X 9/16JIC 37DEG FLARE	2
9	004-702739	PLT 16GAX3-3/4X7-3/4	1
10	001-700803	RIVET 5/32 GRP .3125-.375 SS	4
11	011-703016	ELB 1/4X90DEG PLD STEEL NPT	1
12	011-703015	MAIN ADPTR BHD 1/4NPTX9/16JIC 37DEG FLARE	1
13	005-702511	GAUGE PRESS 0-300 PSI 1/4NPT LWR CONN	1
14	004-702520	DUCT TOP TAKE OFF 6 IN	1
15	002-701131	LOCKNUT 1/2 STL CONDUIT	2
16	005-702592	WELL THERM BRS 4-3/8IN .385 BORE 1/2IN NPT	1
17	005-702757	NUT SPLIT WELLCAP 3/4FINE THREAD	1
18	001-700804	BOLT 3/8X1 PLD GR5	4
19	001-700742	WSHR FLT 5/16 PLD	8
20	001-700721	NUT LKG NYL 3/8 UNC PLD	4
21	006-703402	ELECTRODE ASSY 5IN RIELLO 40-F15/F20	1
22	006-902844	FAN RIELLO F15/F20/G750/G900	1
23	006-702785	COIL OIL VLV RIELLO 40-F5/F20	1
24	006-702794	PUMP RIELLO 40-F20	1
25	006-702792	KEY PUMP DRIVE RIELLO 40-F5/F20	1
26	006-702783	MOTOR RIELLO 40-F15/F20/G750/G900	1
		The following components may not be shown	
	006-702796	PKG SERVICE RIELLO 40-F20 FUEL OIL	1
	006-702788	PHOTOCELL RIELLO 40-F5/F20	1

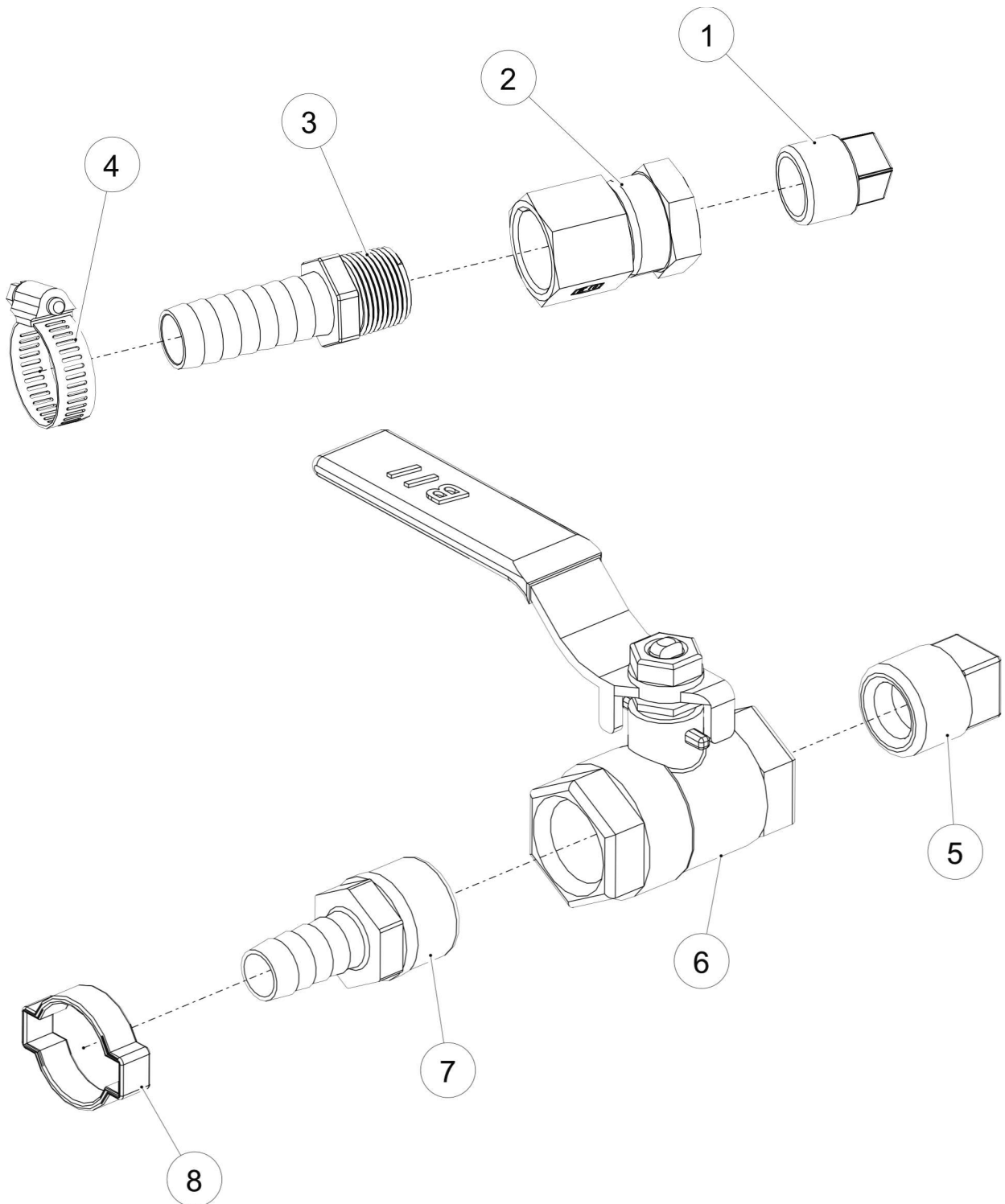




**Central Mobile Enclosure
600 GTS Series
Glycol Tank**

S/N: 134601 -
S/N: Current
PAGE: 2.1.24

Item No.	Part No.	Description	Qty.
1	010-702495	TANK GLY MOD 2100-0400	1
2	006-700191	LOW WATER CUT-OFF CW PROBE	1
3	002-702012	SW-FLOAT FSH-31	1
4	011-701060	ELB ST 3/4X90DEG MI	1
5	001-701890	CLP HOSE 1-1/4 SIZE 12	1
6	011-702565	NIPL COMB 1/2NPTX1/2HB BRS	2
7	001-702552	CLP 2-EAR #22SS - 1/2ID HOSE	3
8	011-704699	NIPL COMB 1/2NPTX1/2HB 90DEG BRS	1

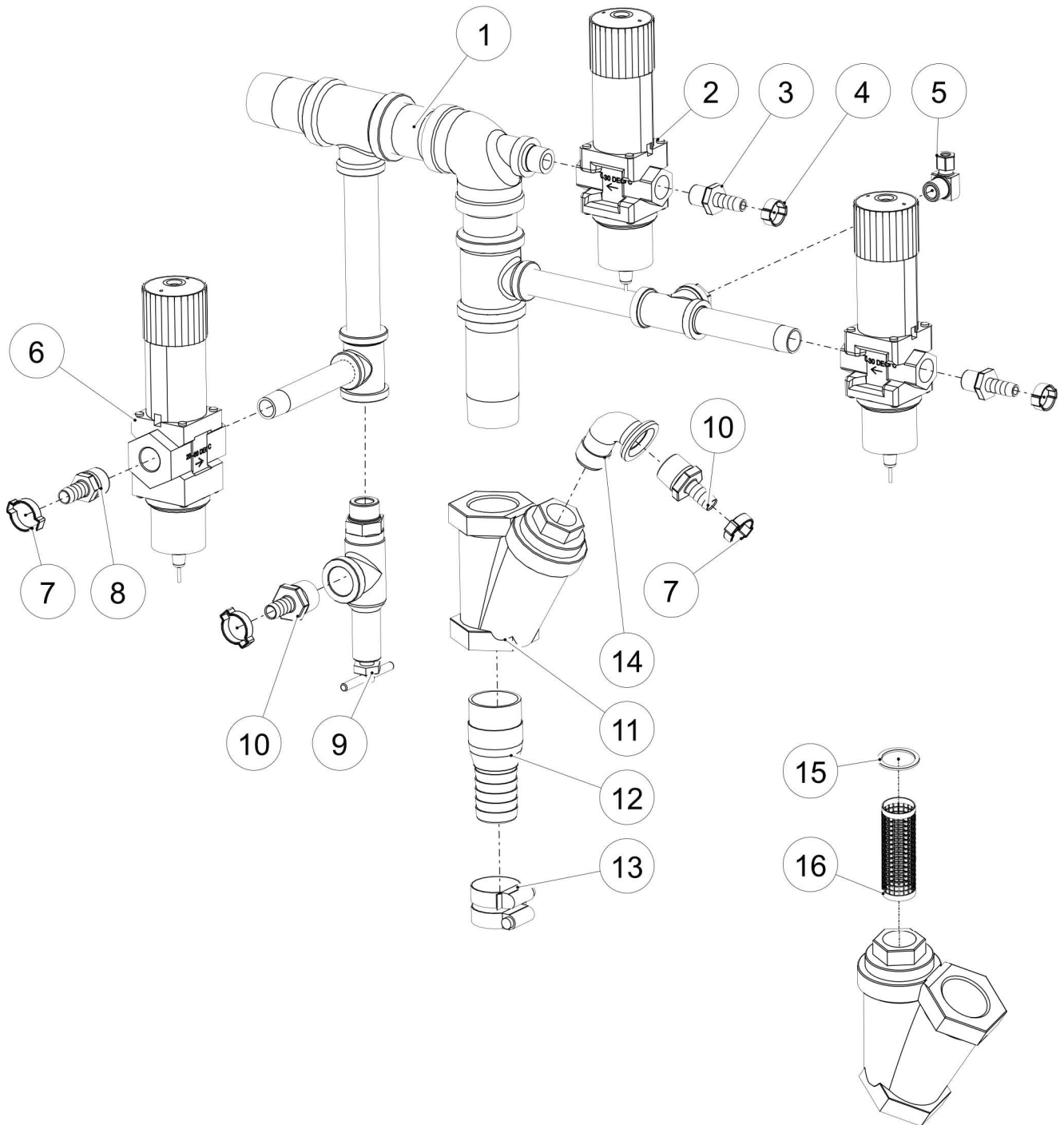




**Central Mobile Enclosure
600 GTS Series
Miscellaneous Plumbing**

S/N: 134601 -
S/N: Current
PAGE: 2.1.26

Item No.	Part No.	Description	Qty.
1	011-702703	PLUG BRS 3/4 NPT SQ HD	1
2	011-900793	ADPTR 3/4FPT X FEM GHT BRS	1
3	011-702701	NIPL COMB 3/4NPTX3/4HB BRS	1
4	001-701890	CLP HOSE 1-1/4 SIZE 12	1
5	011-702702	PLUG BRS 1/2 NPT SQ HD	1
6	011-700115	VLV BALL 1/2 400WOG STD BRS CGA NPTF	1
7	011-702565	NIPL COMB 1/2NPTX1/2HB BRS	1
8	001-702552	CLP 2-EAR #22SS - 1/2ID HOSE	1

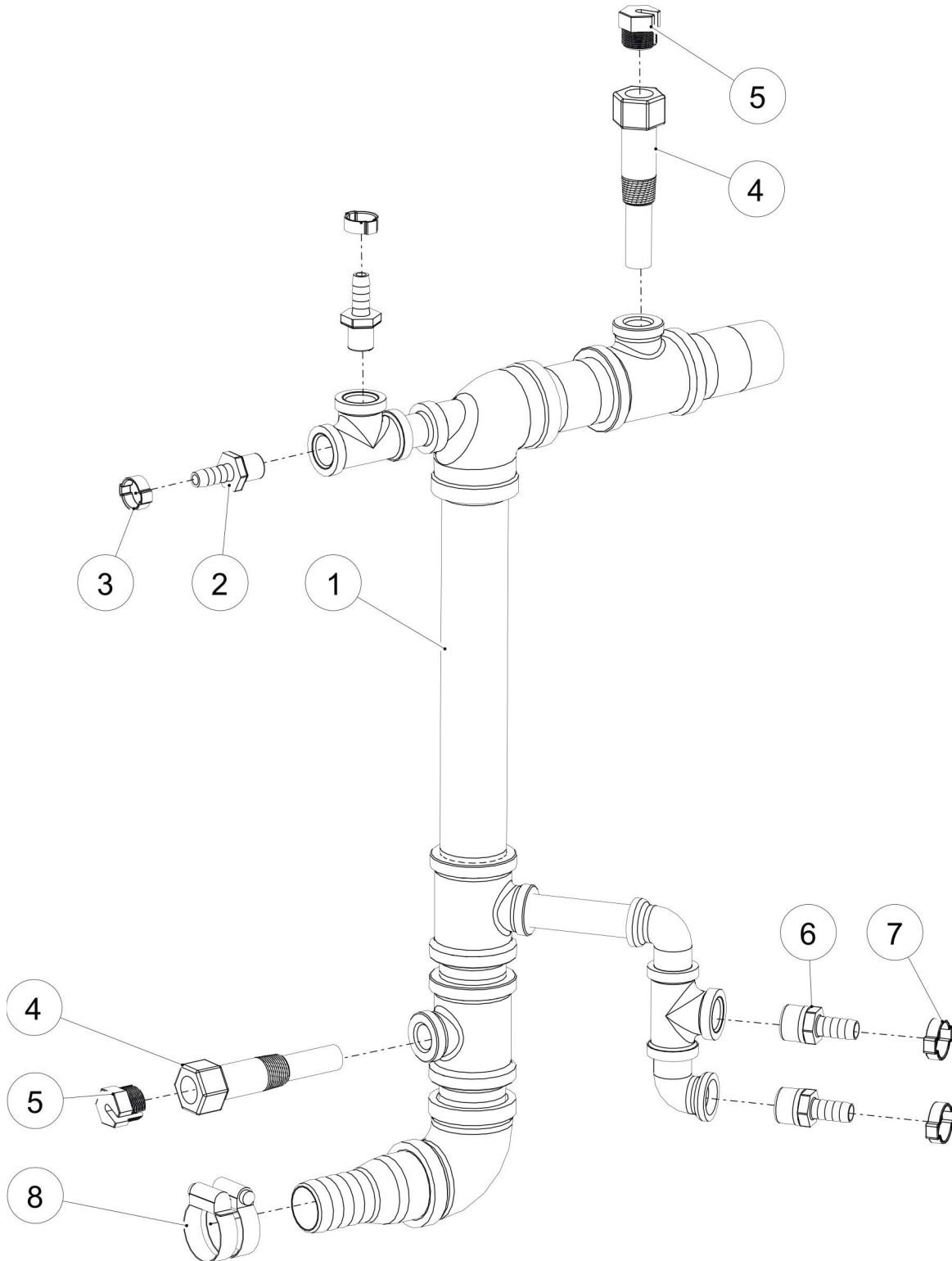




**Central Mobile Enclosure
600 GTS Series
Supply Plumbing**

S/N: 134601 -
S/N: Current
PAGE: 2.1.28

Item No.	Part No.	Description	Qty.
1	018-702544	PKG PLMB SPLY Y-STR MOD 2100-0400 R02	1
2	005-702505	VLV DANFOSS 1/2IN AVTB 15 0-30 DEG C TEMP RNG	2
3	011-702563	NIPL COMB 1/2NPTX3/8HB BRS	2
4	001-702551	CLP 2-EAR #18SS - 3/8ID HOSE	2
5	011-701077	CPRSN FTG ELB 1/4TX3/8 90DEG MPT	1
6	005-702506	VLV DANFOSS 1/2IN AVTB 15 20-60 DEG C TEMP RNG	1
7	001-702552	CLP 2-EAR #22SS - 1/2ID HOSE	3
8	011-702565	NIPL COMB 1/2NPTX1/2HB BRS	1
9	005-700121	VLV BYPASS PRESS RLF 3/4 BRS	1
10	011-702564	NIPL COMB 3/4NPTX1/2HB BRS	2
11	011-702556	STRAINER Y 1-1/4 CI 20 MESH SCR N FEM NPT	1
12	011-702063	NIPL COMB 1-1/4HB PNTD BLK	1
13	001-700062	CLP HOSE HAS20 1-1/2 SLTD HEX HD	2
14	011-701060	ELB ST 3/4X90DEG MI	1
15	006-702979	GSKT 1-1/4 Y-STR EPDM	1
16	006-702931	SCREEN Y-STR 20MESH 1-1/4IN	1

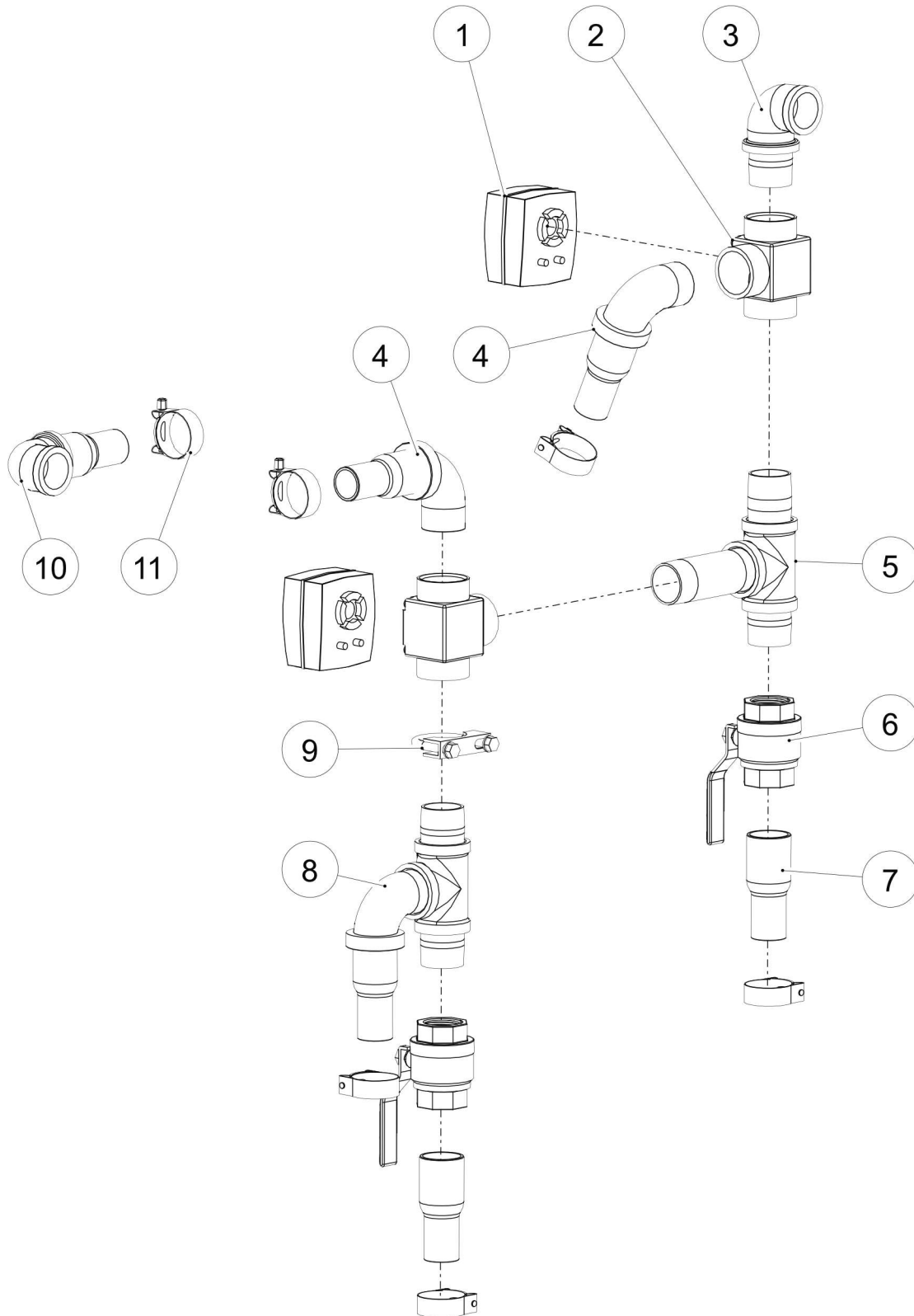




**Central Mobile Enclosure
600 GTS Series
Return Plumbing**

S/N: 134601 -
S/N: Current
PAGE: 2.1.30

Item No.	Part No.	Description	Qty.
1	018-702545	PKG PLMB RETURN MAIN MOD 2100-0400 R01	1
2	011-702563	NIPL COMB 1/2NPTX3/8HB BRS	2
3	001-702551	CLP 2-EAR #18SS - 3/8ID HOSE	2
4	005-900590	WELL THERM BRS 4 IN .385BORE 1/2MPT 1-5/8INSER	2
5	005-702757	NUT SPLIT WELLCAP 3/4FINE THREAD	2
6	011-702565	NIPL COMB 1/2NPTX1/2HB BRS	2
7	001-702552	CLP 2-EAR #22SS - 1/2ID HOSE	2
8	001-700062	CLP HOSE HAS20 1-1/2 SLTD HEX HD	2

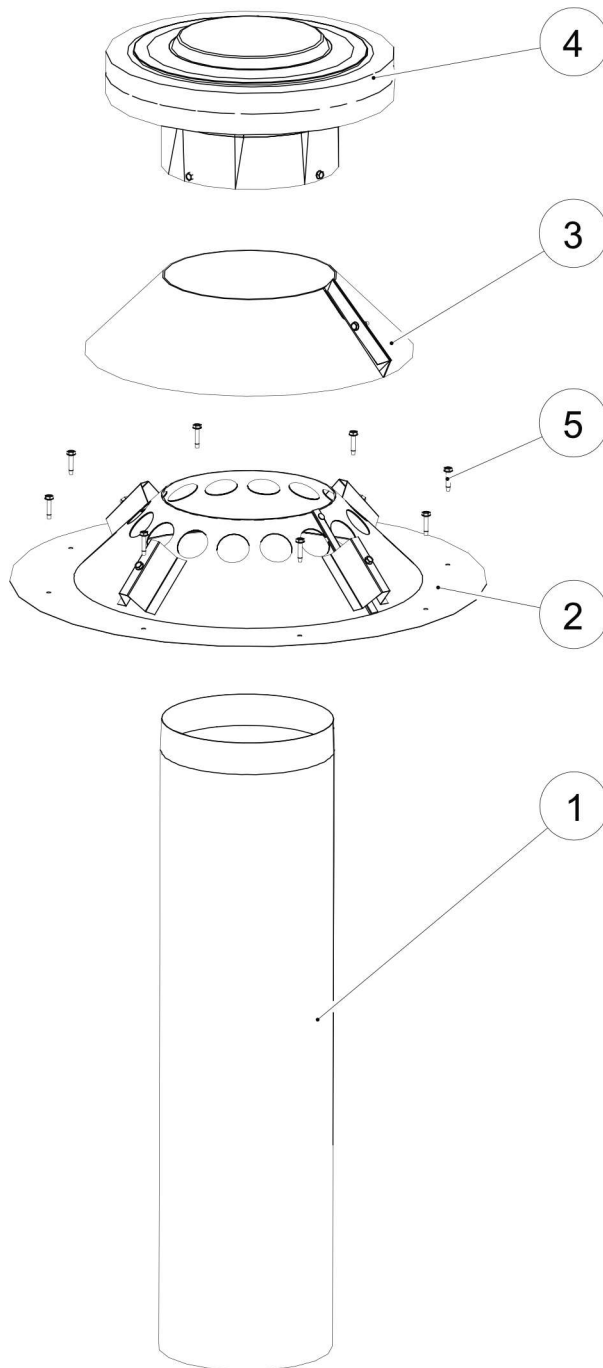




**Central Mobile Enclosure
600 GTS Series
Flow Reverser**

S/N: 134601 -
S/N: Current
PAGE: 2.1.32

Item No.	Part No.	Description	Qty.
1	005-704062	ACTUATOR MOTOR ESBE MODEL ARA 600	2
2	011-704061	VLV 1-1/2 3-WAY MIXING	2
3	018-900654	PKG PLMB SPLY TO FLOW REV 600-GTS	1
4	018-900657	PKG PLMB RET FROM FLOW REV 600-GTS	4
5	018-900653	PKG PLMB SPLY FROM FLOW REV 600-GTS	1
6	011-700580	VLV BALL 1-1/2 400WOG FL PT BRS CGA NPTF	2
7	011-700488	NIPL COMB 1-1/2 (HB) NPTM PNTD BLK	2
8	018-900658	PKG PLMB RET TO FLOW REV 600-GTS	1
9	001-700622	CLP MUF 1-7/8X3/8 BOLT ZINC PLD	1
10	018-900656	PKG PLMB EXT RTN MOD 2100-600-GTS	1
11	001-704412	CLP HOSE HEAVY DUTY 1.85-2.01 RNG (47-51mm)	6





**Central Mobile Enclosure
600 GTS Series
Chimney**

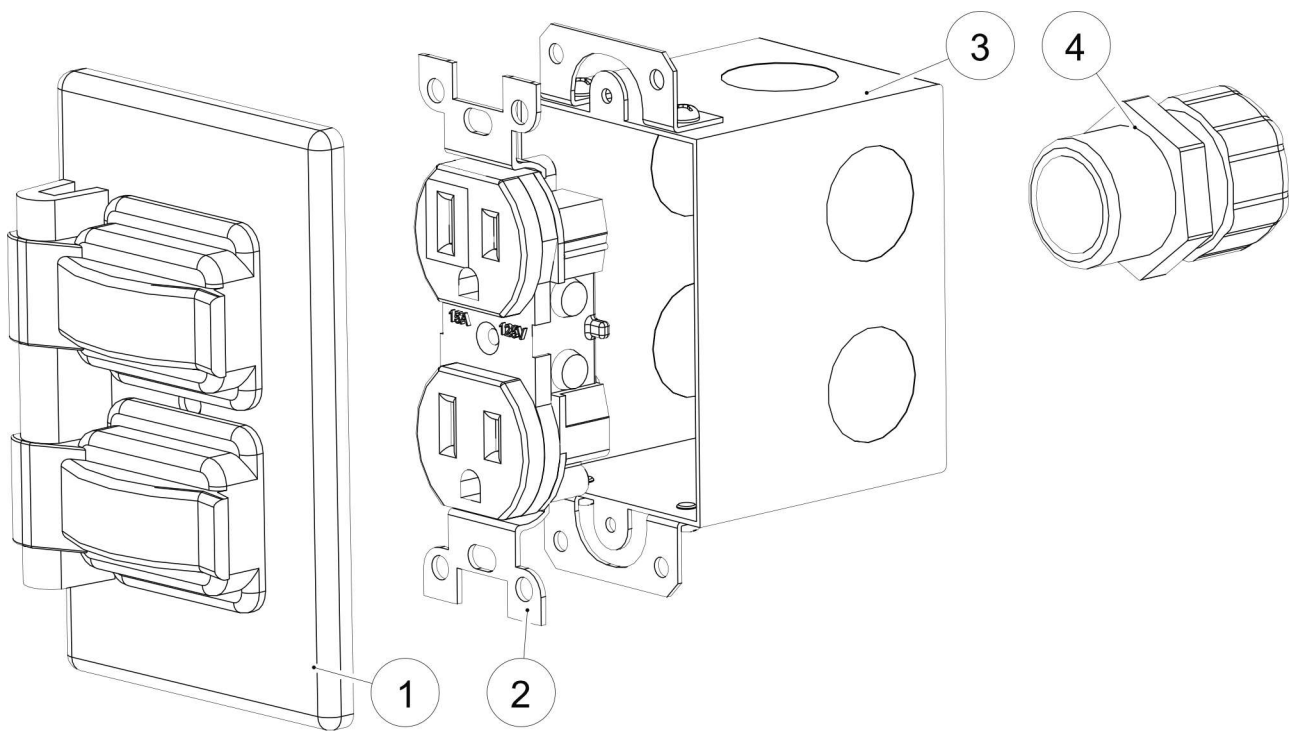
S/N: 134601 -
S/N: Current
PAGE: 2.1.34

Item No.	Part No.	Description	Qty.
1	004-900754	CHMNY PIPE 8X30L	1
2	004-702645	FLSHG ROOF VENT 8IN MOD 2100	1
3	004-702570	STORM COLLAR 8IN MOD 2100	1
4	004-702517	CHMNY CAP 8IN CHINA GALV	1
5	001-700629	SCRW D/T 10-16X3/4 5/16HEX HD PLD	17



**Central Mobile Enclosure
600 GTS Series
Electrical**

S/N: 134601 -
S/N: Current
PAGE: 2.1.35

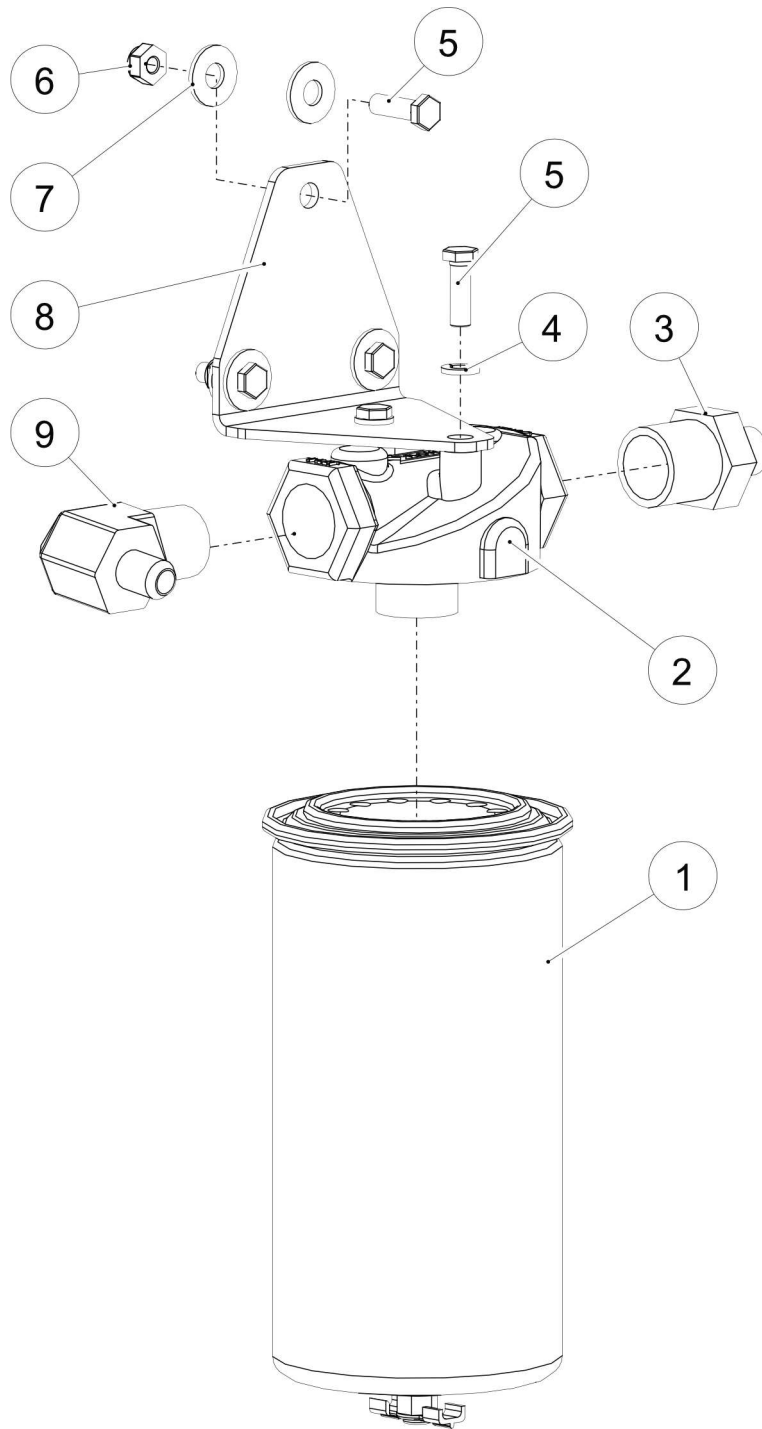




**Central Mobile Enclosure
600 GTS Series
Electrical**

S/N: 134601 -
S/N: Current
PAGE: 2.1.36

Item No.	Part No.	Description	Qty.
1	002-701414	BOX RCPT #425	1
2	002-800037	RCPT DX 15A 120V	1
3	002-701415	CVR RCPT W/P	1
4	002-700046	CONNECTOR STRN/RLF 3/4 .625-.750 CABLE RNG	1

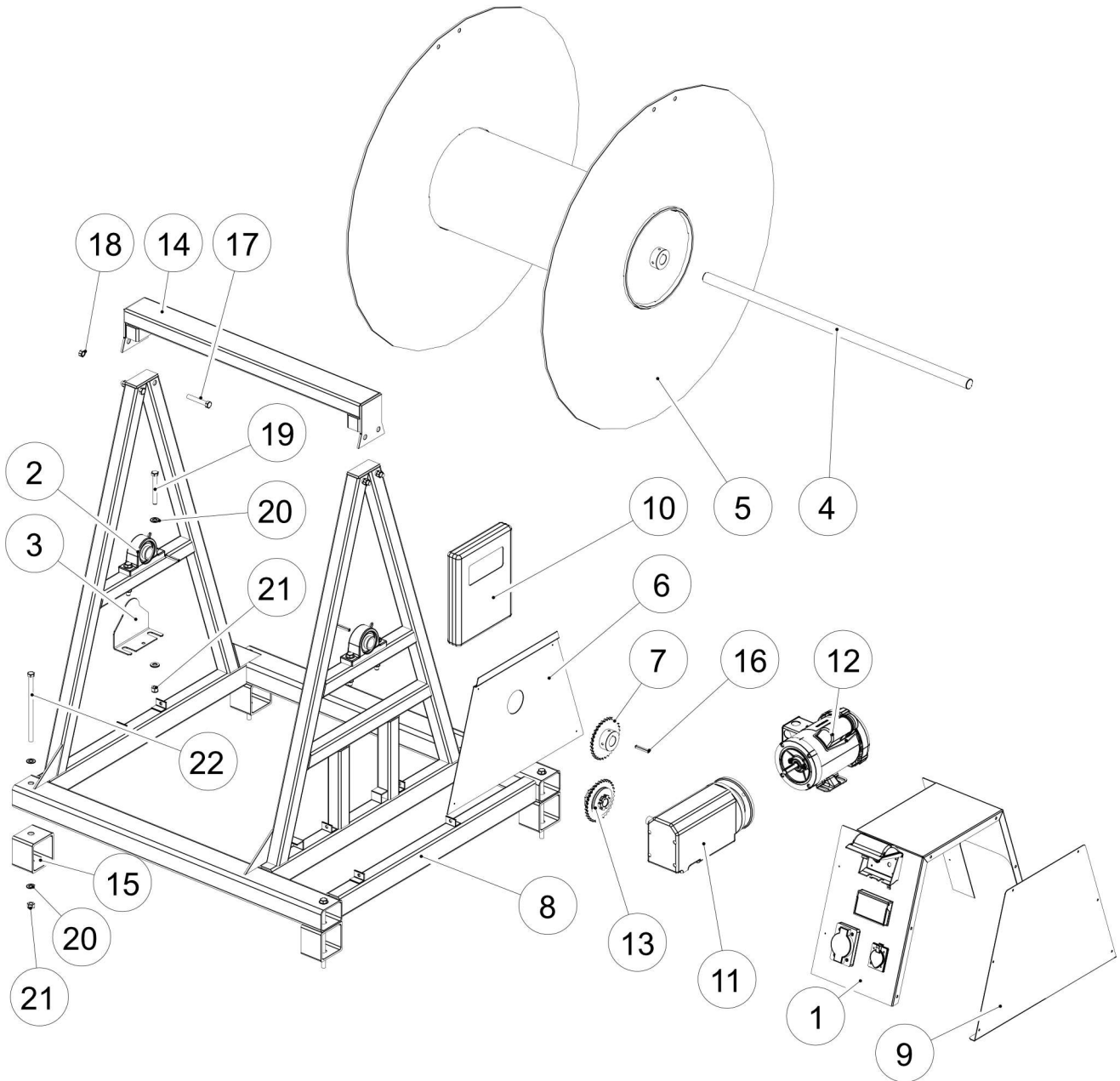




**Central Mobile Enclosure
600 GTS Series
Fuel Filter**

S/N: 162501 -
S/N: Current
PAGE: 2.1.38

Item No.	Part No.	Description	Qty.
1	012-702588	FILTER FUEL OIL PART/WTR COMB	1
2	012-702587	ADPTR FUEL FILTER MTG AL	1
3	011-901436	ADPTR 3/4NPT X #6JIC 37DEG FLARE	1
4	001-700934	WSHR LOCK 1/4 PLD	2
5	001-701482	BOLT 1/4X3/4 PLD GR5	5
6	001-700042	NUT LKG NYL 1/4 UNC PLD	3
7	001-700129	WSHR FLT 1/4 PLD	6
8	004-902777	BRKT MNT FUEL FLTR	1
9	011-901436	ADPTR 3/4NPT X #6JIC 37DEG FLARE	1
		ALTERNATE FUEL FILTER ASSEMBLY	5.1.3

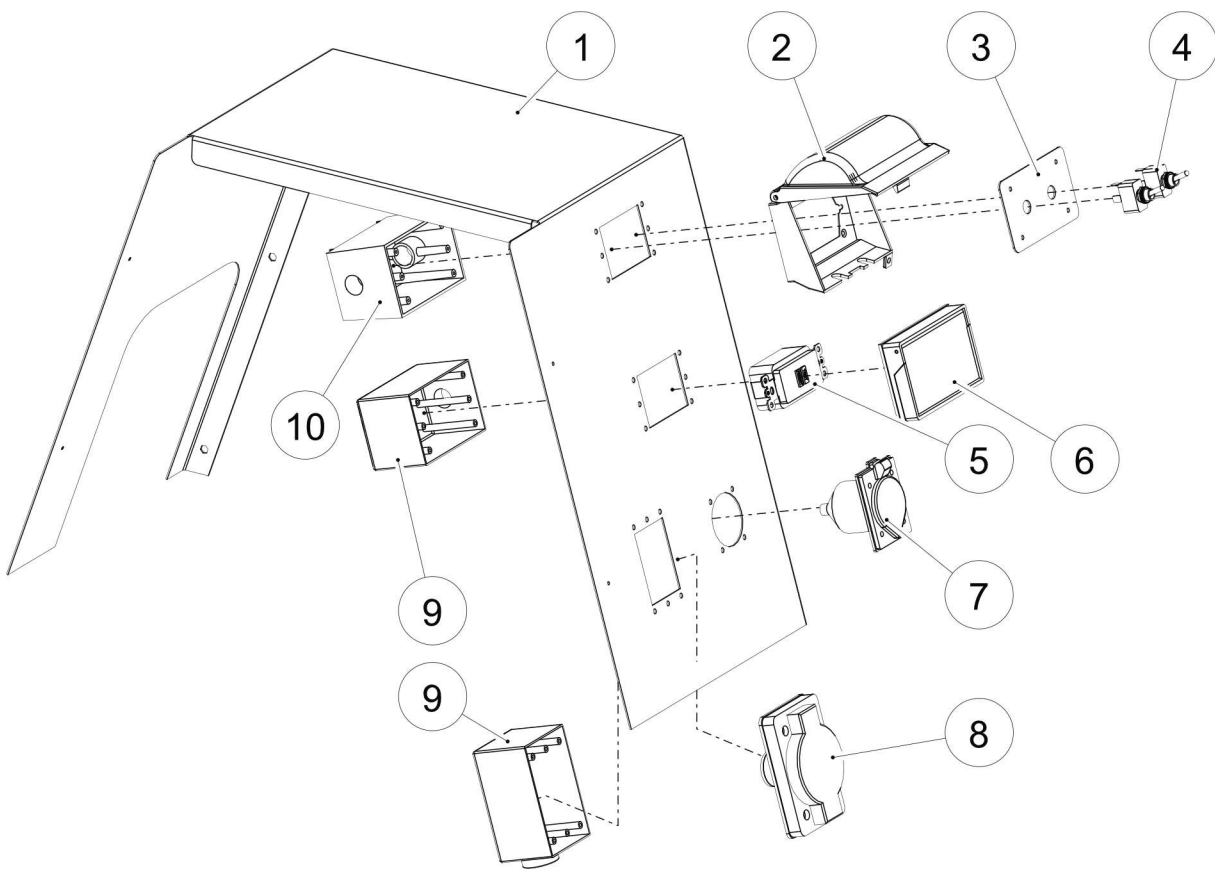




**Central Mobile Enclosure
600 GTS Series
HR2250**

S/N: 1346-01 -
S/N: 1770-01
PAGE: 3.1.2

Item No.	Part No.	Description	Qty.
1		MAIN SHIELD - see page 3.1.3	
2	017-703610	BRG PLBLK 1-1/4 DUCTILE HSG	2
3	004-703607	SHLD SHAFT/BRG MOD 2250-HR	1
4	004-703609	SHAFT CR 1-1/4X41L MOD 2250-HR	1
5	004-703603	SPOOL HOSE REEL MOD 2250-HR	1
6	004-703606	SHLD REAR MOD 2250-HR R03	1
7	004-703572	SPRKT 36T #40 CHAIN 1-1/4 WELD-ON HUB	1
8	004-900622	FRAME HOSE REEL 2250-HR GTS	1
9	004-703605	SHLD FRT ACS MOD 2250-HR	1
10	016-702616	CASE OPR MNL MANUAL-PAK	1
11	012-704788	GEARBOX HLCL WORM 102:1 RT ANG 2.5IN L SHAFT	1
12	012-703488	MOTOR ELEC 3/4HP 115/208-230V 1725RPM TEFC	1
13	012-703570	TRQ LMTR ASSY 1 SHAFT DBL SPR 60-190 FTLB	1
14	004-900625	FRAME TOP MOD 2250-HR GTS	1
15	004-900491	TBG 4X4X.188W 3-1/8L C/W HOLE	4
16	004-703614	KEY 1/4X1/4 2L	3
17	001-700476	BOLT 1/2X3 PLD GR5	4
18	001-700953	NUT 1/2 PLD	4
19	001-702159	BOLT 1/2X3-3/4 UNC PLD	4
20	001-700110	WSHR FLT 1/2 SAE PLD	16
21	001-701606	NUT LKG NYL 1/2 UNC PLD	8
22	001-900743	BOLT 1/2X9 PLD GR5	4
		The following components may not be shown	
	004-703573	TBG CDSM 1-3/4ODX.243W 1/2L	2
	017-701326	CHAIN ROLLER #40	2.5FT
	017-701329	LINK OFFSET DF #40	1
	017-701592	CONNECTOR CHAIN LINK #40	1

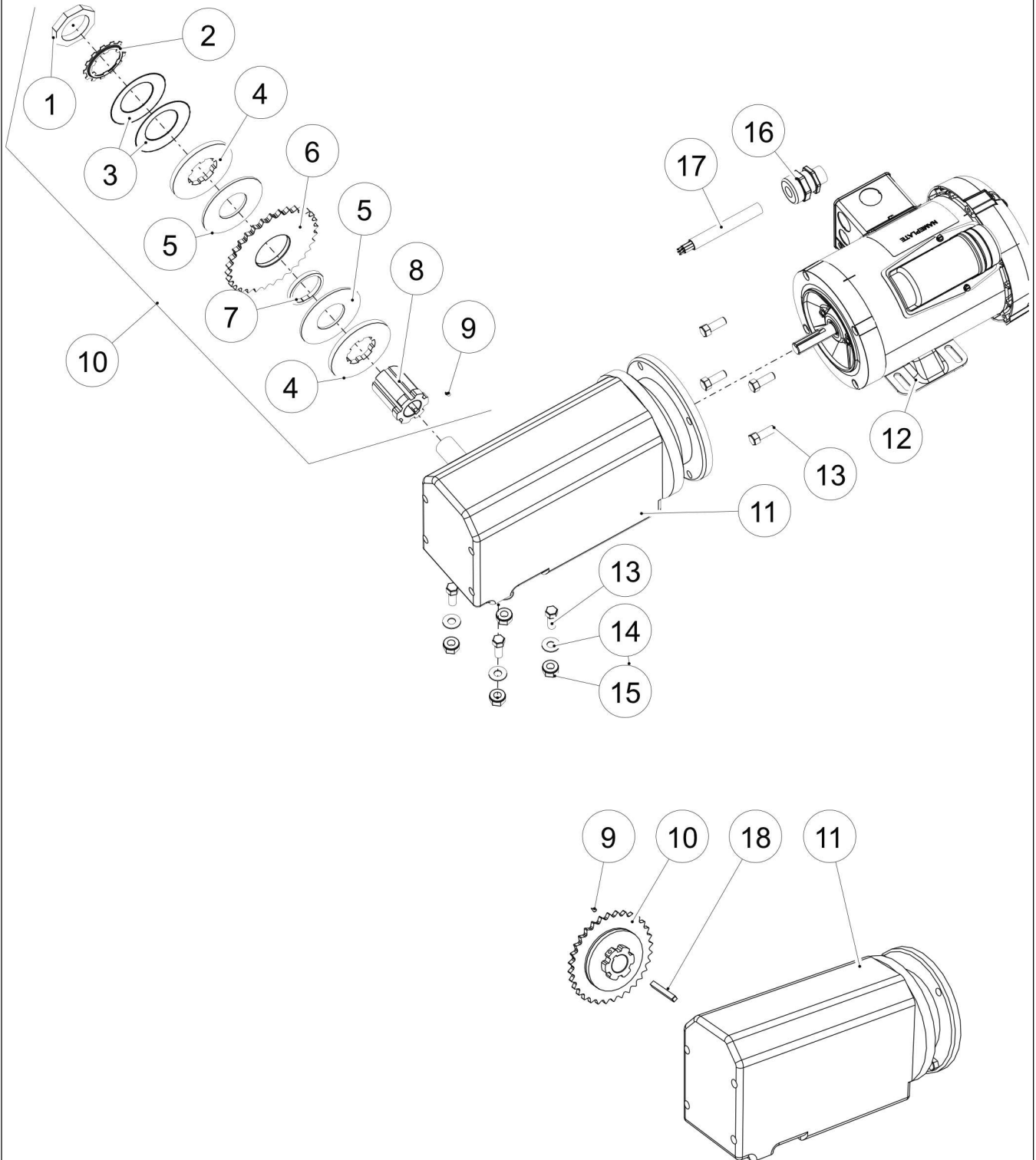




**Central Mobile Enclosure
600 GTS Series
HR2250 Shield**

S/N: 1346-01 -
S/N: 1770-01
PAGE: 3.1.4

Item No.	Part No.	Description	Qty.
1	004-703604	SHLD MAIN CONT MOD 2250-HR R02	1
2	002-703185 018-906946	COV ELEC WTHPRF HORIZ SGL GANG (OBSOLETE) PKG RETRO SW CVR HR2250 (REPLACEMENT PACKAGE)	1
3	004-703562	PLT TGL SW MNT MOD 2250-HR	1
4	002-703616	SWITCH TGL SPST 20A 125V 1/4 SPADE TERM	2
5	002-703612	GFCI BLANK FACE 20A 125V 2-POLE 3-WIRE	1
6	002-703613	COV WTHPRF GFCI HORIZ SGL GANG	1
7	002-703611	PLUG PNL MNT WTHPRF 15A 125V	1
8	002-703183	RCPT SGL LKG WTRPRF 15A 125V FL MNT W/ COV	1
9	002-703255	BOX ELEC 2IN WTHPRF DIE CAST AL 1/2IN HUB	2
10	002-703596	BOX ELEC 2-5/8IN WTHPRF DIE-CAST AL 1/2IN HUB	1
		The following components may not be shown	
	001-700093	SCRW D/T 1/4-14X3/4 3/8HEX HD PLD	4
	001-701484	SCRW MACH 10-24X3/4 PANHEAD	12
	002-703569	WSHR SEAL 1/2 ELEC CND	4
	002-700810	CONNECTOR STRN/RLF 1/2 .500-.562 CABLE RNG	3
	002-703566	CONNECTOR STRN/RLF 1/2X90DEG .500-.562 CABLE RNG	4
	002-703567	CONNECTOR STRN/RLF 1/2 .625-.750 CABLE RNG	1





**Central Mobile Enclosure
600 GTS Series
HR2250 Drive**

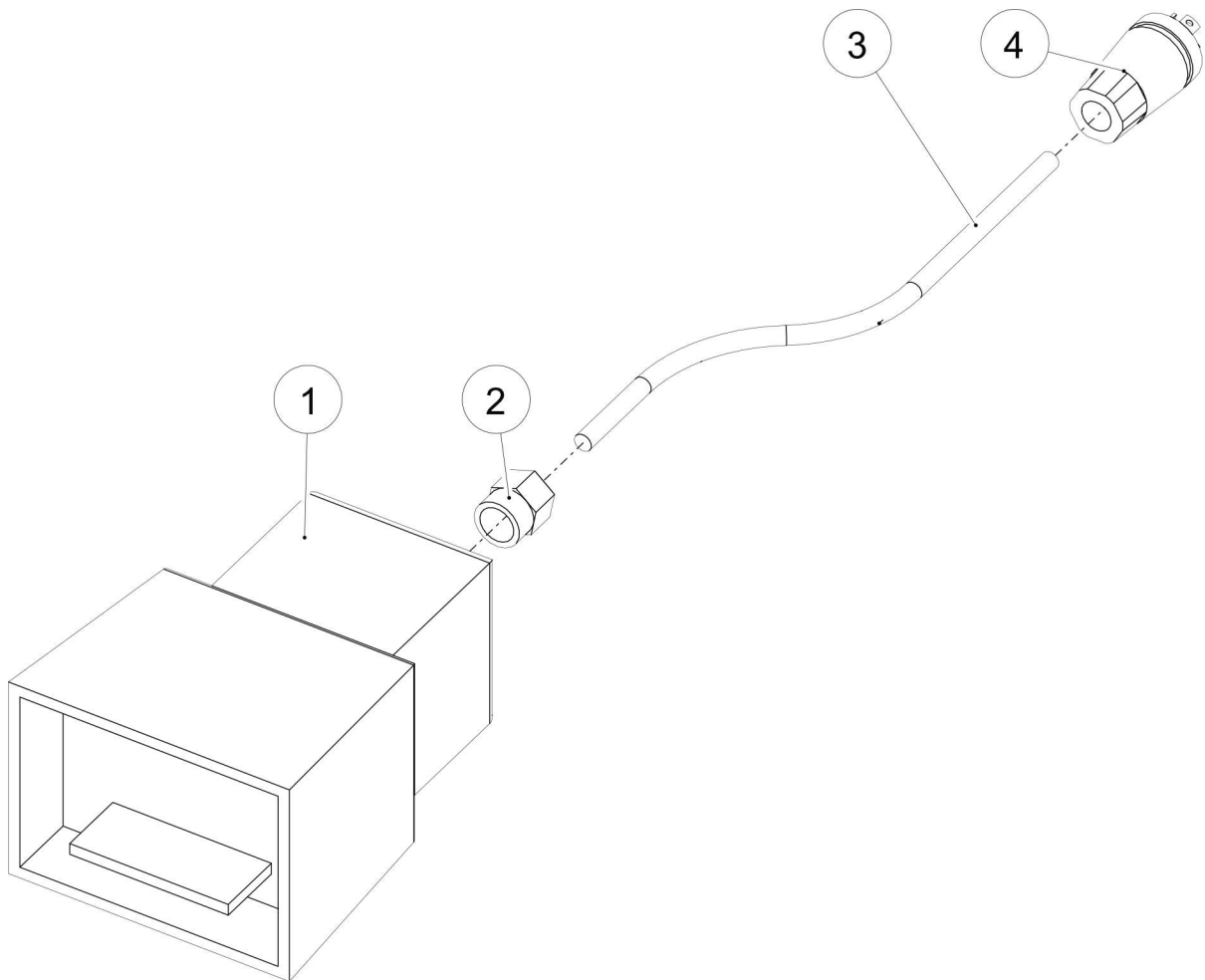
S/N: 1346-01 -
S/N: 1770-01
PAGE: 3.1.6

Item No.	Part No.	Description	Qty.
1	006-702374	NUT ADJ TRQ LMTR	1
2	006-702373	WSHR LOCK TRQ LMTR	1
3	017-702168	SPR DBL TRQ LMTR 60-190	2
4	006-702375	PRESSURE PLT TRQ LMTR	2
5	006-702377	DISC SET TRQ LMTR	2
6	017-702170	SPRKT 32T #40 CHAIN - MEETS TRQ LMTR SPEC	1
7	017-702169	BSHG TRQ LMTR	1
8	006-703978	HUB 1IN TRQ LMTR	1
9	006-702378	SCRW SET 1/4-20X1/4 TRQ LMTR	1
10	012-703570	TRQ LMTR ASSY 1 SHAFT DBL SPR 60-190 FTLB	1
11	012-704788	GEARBOX HLCL WORM 102:1 RT ANG 2.5IN L SHAFT	1
12	012-703488	MOTOR ELEC 3/4HP 115/208-230V 1725RPM TEFC	1
13	001-700804	BOLT 3/8X1 PLD GR5	8
14	001-700719	WSHR FLT 3/8 PLD	4
15	001-700721	NUT LKG NYL 3/8 UNC PLD	4
16	002-703567	CONNECTOR STRN/RLF 1/2 .625-.750 CABLE RNG	1
17	002-703561	CABLE SOW14/7 NPRN CABTIRE	1
18	004-703614	KEY 1/4X1/4 2L	1
		The following components may not be shown	
	006-903226	CAPACITOR 540-648UF 110/125VAC HR2250 3/4HP MOTOR	



**Central Mobile Enclosure
600 GTS Series
HR2250 Foot Pedal**

S/N: 1346-01 -
S/N: 1770-01
PAGE: 3.1.7

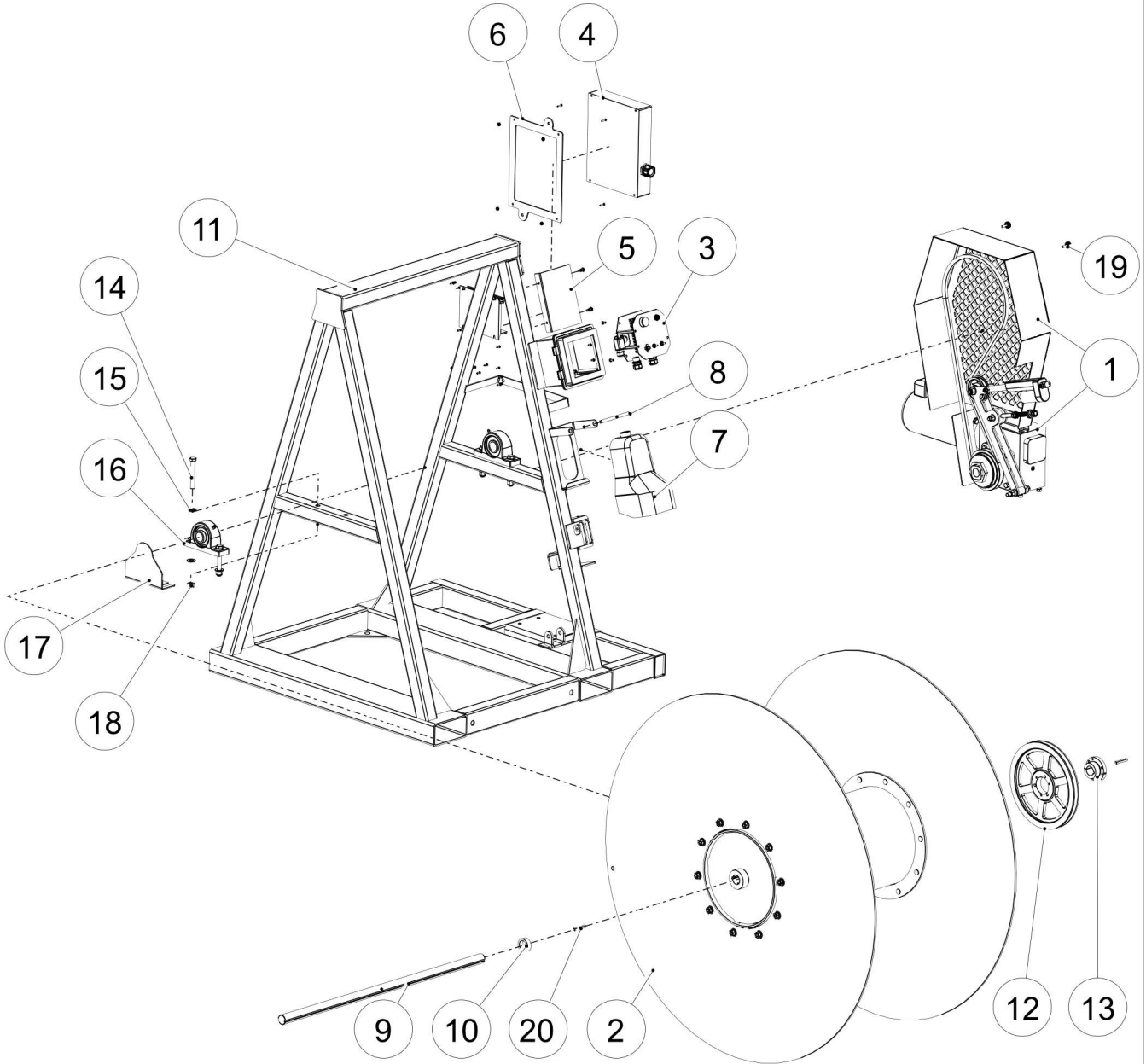




**Central Mobile Enclosure
600 GTS Series
HR2250 Foot Pedal**

S/N: 1346-01 -
S/N: 1770-01
PAGE: 3.1.8

Item No.	Part No.	Description	Qty.
	018-703244	PKG FOOT CONT HOSE REEL-II (Includes 1-4)	1
1	012-701568	SW FOOT MOD HR6000	1
2	002-703184	CONNECTOR STRN/RLF 3/4 .438-.562 CABLE RNG	1
3	002-700802	CABLE SOW14/3 NPRN CABTIRE	1
4	002-703182	PLUG LKG WTRPRF 15A 125V	1

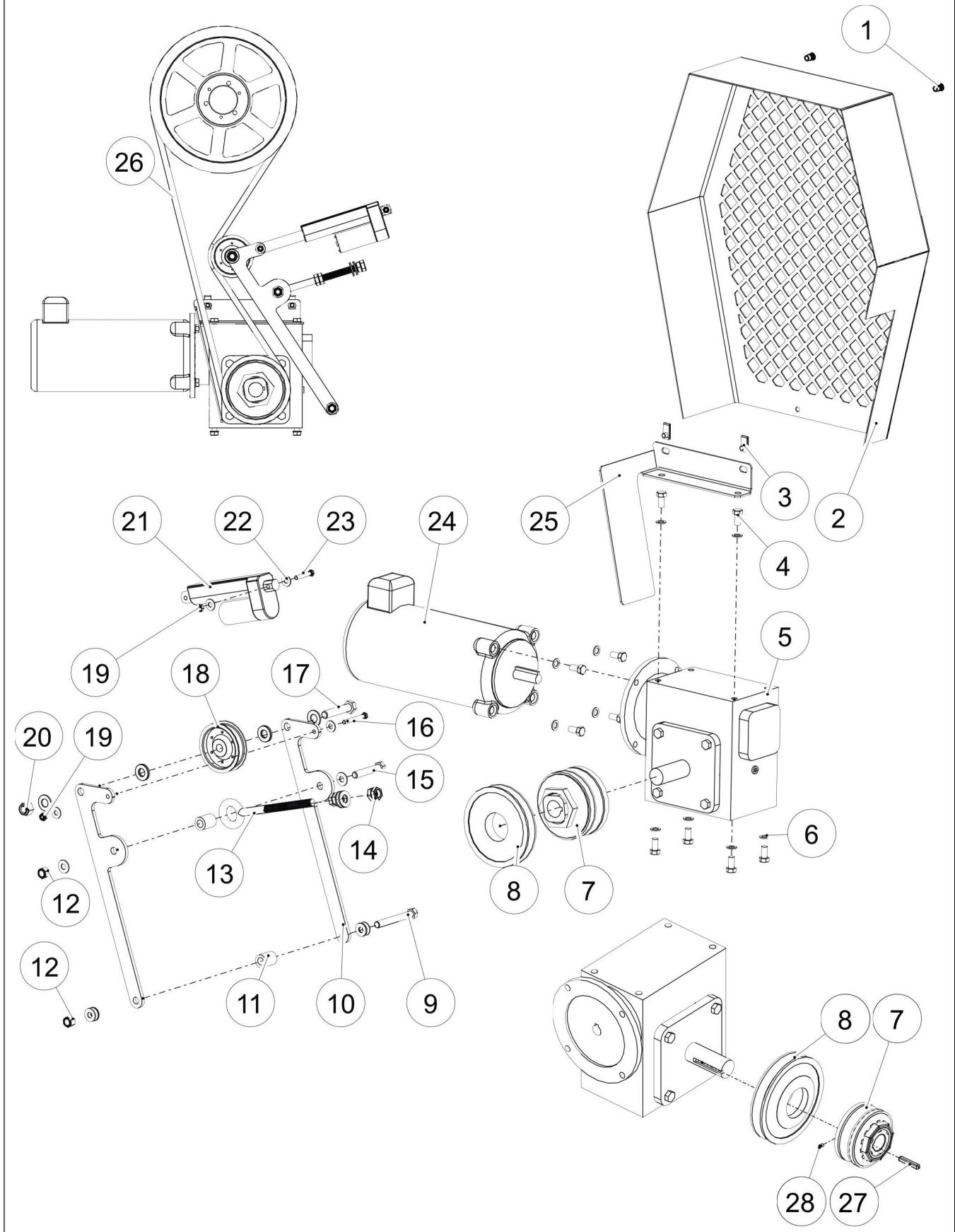




**Central Mobile Enclosure
600 GTS Series
HRV4000**

S/N: 1770-01 -
S/N: Current
PAGE: 3.2.2

Item No.	Part No.	Description	Qty.
1		BELT DRIVE see page 2.1.1	
2		SPOOL see page 3.1.1	
3		ELEC SWITCH HRA see page 4.1.1	
4		ELEC CONTROL HRA see page 5.1.1	
5	004-903337	PLT OP-INSTR DECAL BELT HR	1
6	004-902739	MNT MOTOR CNTRL HRA	1
7	002-902559	SWITCH FOOT 2NO-2NC PG16F THREAD	1
8	001-902741	PIN QR 3/8X5-1/2L CW RING	1
9	004-901902	SHAFT CR 1-1/4X36L W-KEYWAY GTS300	1
10	004-902769	CDSM 1-3/4ODX.243W 5/8L	2
11	004-902734	FRAME HOSE REEL 900GTS	1
12	017-902621	PULLEY SDS 11.35 OD HUB	1
13	017-902583	BSHG QD 1-1/4 SDS	1
14	001-702159	BOLT 1/2X3-3/4 UNC PLD	4
15	001-700110	WSHR FLT 1/2 SAE PLD	16
16	017-703610	BRG PLBLK 1-1/4 DUCTILE HSG	2
17	004-703607	SHLD SHAFT/BRG MOD 2250-HR	1
18	001-701606	NUT LKG NYL 1/2 UNC PLD	4
19	001-902717	BOLT 1/4X7/8 UNC KNURL PLSTC HD	4
20	004-703614	KEY 1/4X1/4 2L	3
		The following components may not be shown	
	001-701183	SCRW MACH 8-32X3/4 RHTHD	4
	001-704503	NUT LKG NYL 8-32 SS UNC	4
	001-700093	SCRW D/T 1/4-14X3/4 3/8HEX HD PLD	2
	001-902773	SCRW THD FMG PLSTC SS 10-14X1/2L	4

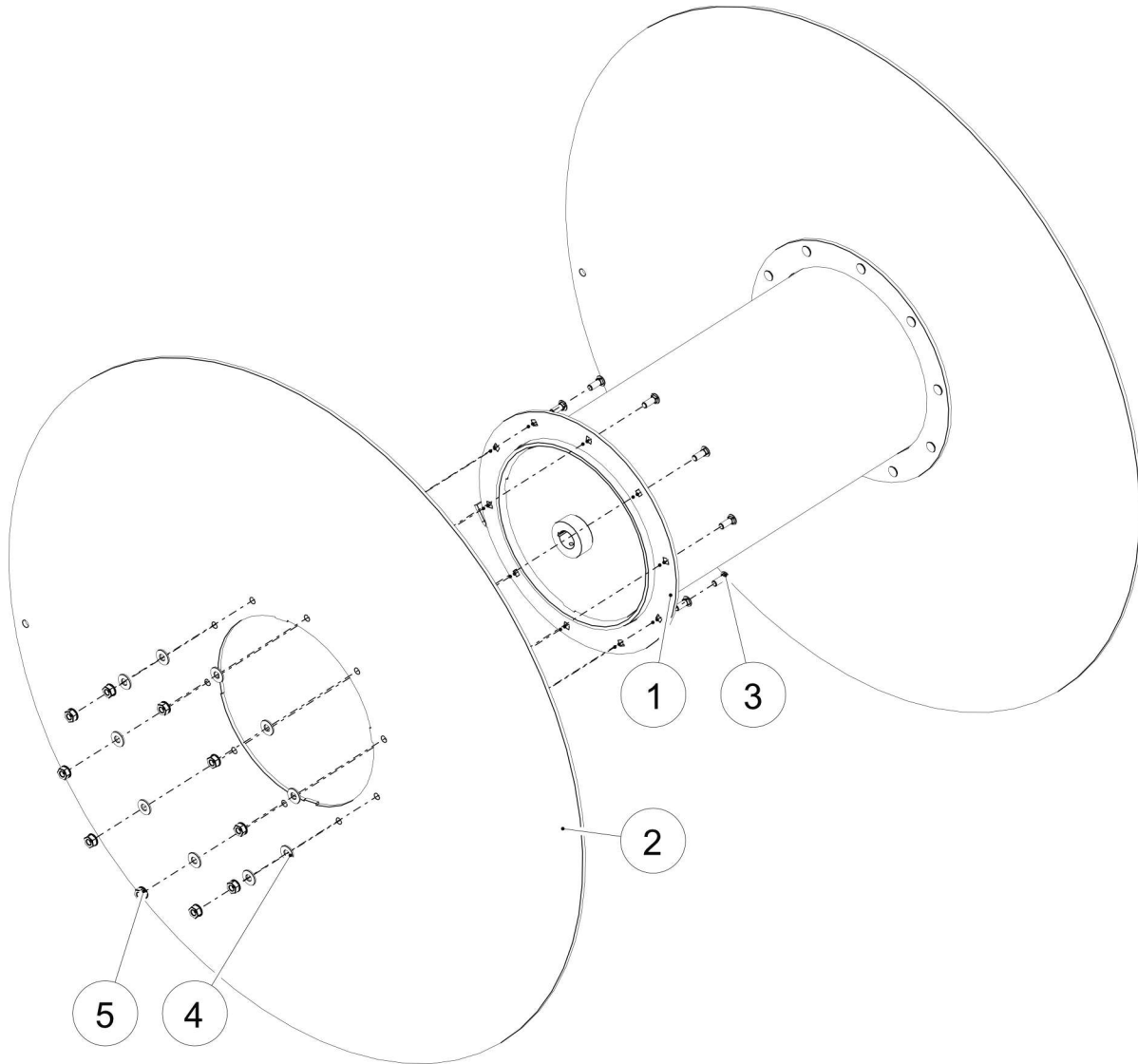




**Central Mobile Enclosure
600 GTS Series
HRV4000 Belt Drive**

S/N: 1770-01 -
S/N: Current
PAGE: 3.2.4

Item No.	Part No.	Description	Qty.
1	001-703408	INSERT THD 1/4 UNC RND BODY .027-.165 GRP	2
2	004-902759	PNL BELT GUARD UPPER HRA	1
3	001-902760	NUT CLP 1/4X20	4
4	001-700434	BOLT 3/8X3/4 PLD GR5	10
5	012-902555	GEARBOX HLCL WORM RTANG 60:1 56C.75HP IRONHORSE	1
6	001-700936	WSHR LOCK 3/8 PLD	10
7	017-902565	TRQ LMTR 1-1/8 SHAFT SGL SPR 50-10 FT LB	1
8	017-902864	PULLEY B BELT 5.35 ODX1.90625ID	1
9	001-700470	BOLT 7/16X3-1/2 PLD GR5	1
10	004-902743	ARM PIVOT HRA	2
11	004-902740	DOM .875OD X.500ID 1-1/8L PNTD BLK	2
12	001-701716	NUT LKG NYL 7/16	2
13	001-902566	BOLT EYE 1/2X4X1IN OPEN 8L UNC	1
14	001-703313	NUT JAM 1/2 UNC PLD	4
15	001-700469	BOLT 7/16X2-1/2 PLD GR5	1
16	001-700955	BOLT 1/4X2 PLD GR5	1
17	001-700475	BOLT 1/2X2-1/2 PLD GR5	1
18	017-902603	PULLEY B BELT 3.25 OD INT BRG FLT-IDLER	1
19	001-700042	NUT LKG NYL 1/4 UNC PLD	2
20	001-701606	NUT LKG NYL 1/2 UNC PLD	1
21	005-902560	LINAC 3IN STROKE 150LBS 12VDC	1
22	001-700129	WSHR FLT 1/4 PLD	4
23	001-700956	BOLT 1/4X1-1/2 PLD GR5	1
24	012-902602	MOTOR DC 90V 1HP 56C	1
25	004-902738	GUARD BELT LOWER HRA	1
26	012-902742	BELT B71 HRA 6000	1
27	004-906426	KEY 1/4X1/4 1-1/2L	1
28	006-702378	SCRW SET 1/4-20X1/4 TRQ LMTR	1
		The following components may not be shown	
	006-906553	DISC SET 1-1/8IN TRQ LMTR	

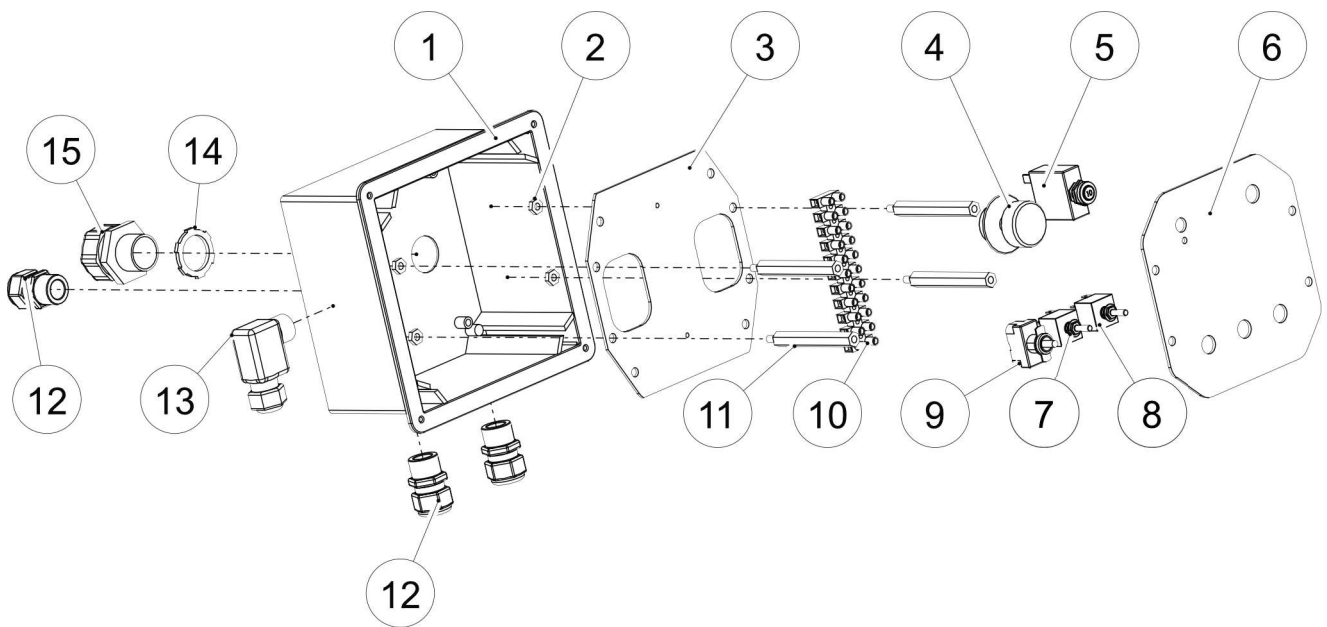




**Central Mobile Enclosure
600 GTS Series
HRV4000 Spool**

S/N: 1770-01 -
S/N: Current
PAGE: 3.2.6

Item No.	Part No.	Description	Qty.
1	004-902735	SPOOL HOSE REEL 900GTS	1
2	004-902737	RING OUTER CW 10HOLES 48 OD	2
3	001-704090	BOLT CRG 3/8-16X1 UNC PLD	20
4	001-700719	WSHR FLT 3/8 PLD	20
5	001-700721	NUT LKG NYL 3/8 UNC PLD	20

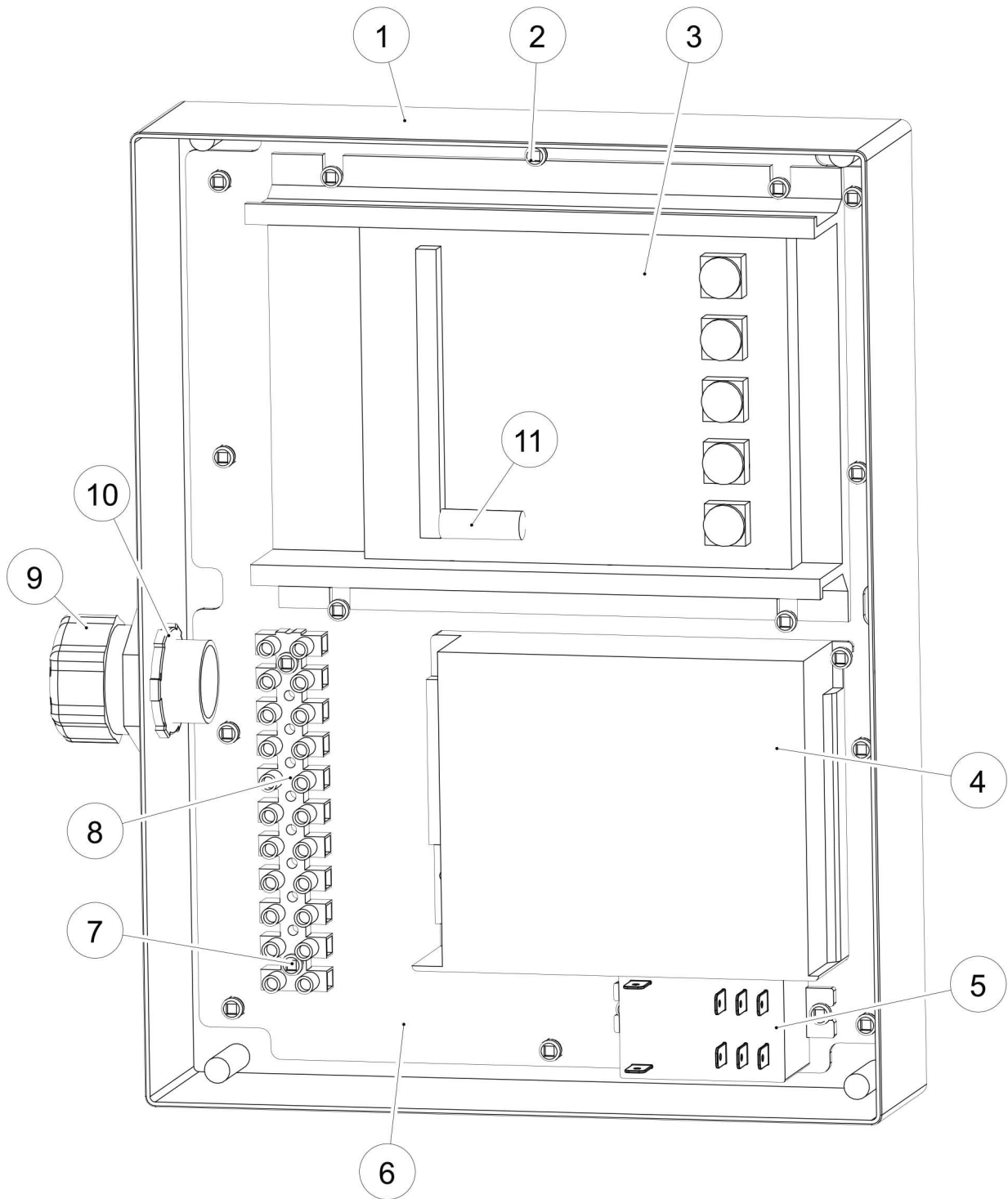




**Central Mobile Enclosure
600 GTS Series
HRV4000 Electrical**

S/N: 1770-01 -
S/N: Current
PAGE: 3.2.8

Item No.	Part No.	Description	Qty.
1	002-901427	ENC 6X6 POLY CW WINDOW	1
2	001-703107	NUT MSCR #10-32 HEX PLD	4
3	004-902581	PLT BKG ELEC BOX 5-1/4IN SQ	1
4	006-702384	PKG POTENTIOMETER S9111	1
5	002-902617	BRKR CKT 10A PUSH TO RESET	1
6	004-902614	FPLT HRA ELEC	1
7	002-904746	SW 20A DPDT ON-ON	1
8	002-902615	SW DPDT MOM ON-OFF-MOM ON SCRW TERM	1
9	002-701359	SW TGL SPST 20A 125V SCRW TERM	1
10	002-702013	TERM STRIP-12POLE	1
11	001-902648	STANDOFF #10-32 MXF 3IN L BODY	4
12	002-704262	CONN STRN/RLF 1/2 .24-.47 CE/CSA	3
13	002-704247	CONNECTOR 1/2 90DEG FLEX NYL	1
14	002-701133	LOCKNUT 3/4 STL CONDUIT	1
15	002-902609	CONN STR-RLF 3/4 FOR 1/2 TEK CABLE	1
		The following components are included but may not be shown	
	001-702161	WSHR LOCK #10 PLD	4
	001-702953	SCRW SH MET #6X3/4 PAN HD	2
	001-704572	SCRW MACH 10-32x3/8 SS UNF BTN HD 1/8HEX DR	4
	006-905885	LATCH POLY CW STEEL BAIL SET(ENC BOX 002-901427)	1

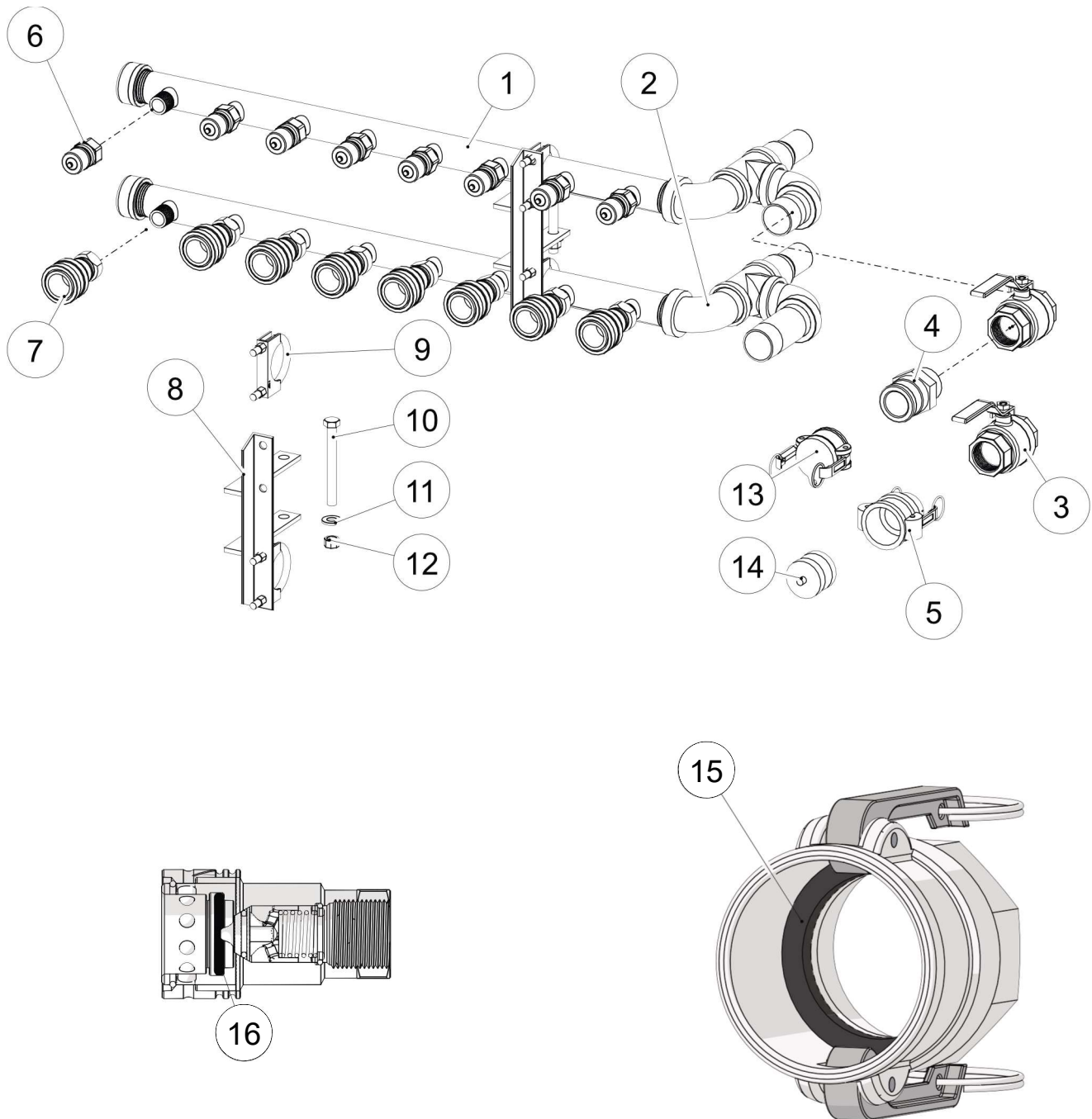




**Central Mobile Enclosure
600 GTS Series
HRV4000 Control**

S/N: 1770-01 -
S/N: Current
PAGE: 3.2.10

Item No.	Part No.	Description	Qty.
1	002-902562	ENC ELEC 11.75X9X3.5 POLYCARB	1
2	001-900608	SCRW SH MET #6X3/8 PAN HD SQ DR ZINC	18
3	005-902557	MOTOR CONTROLLER 90VDC IRONHORSE	1
4	002-902561	XFMR 120VAC-12VDC 72VA OUTPUT	1
5	002-902606	RELAY 12VDC DPDT FINDER SOLID-STATE	1
6	004-902624	PLT BKG ELEC BOX 11.75X9	1
7	001-702953	SCRW SH MET #6X3/4 PAN HD	2
8	002-702013	TERM STRIP-12POLE	1
9	002-902609	CONN STR-RLF 3/4 FOR 1/2 TEK CABLE	1
10	002-701133	LOCKNUT 3/4 STL CONDUIT	1
11	006-904745	FUSE ABC-15 SLO-BURN	1

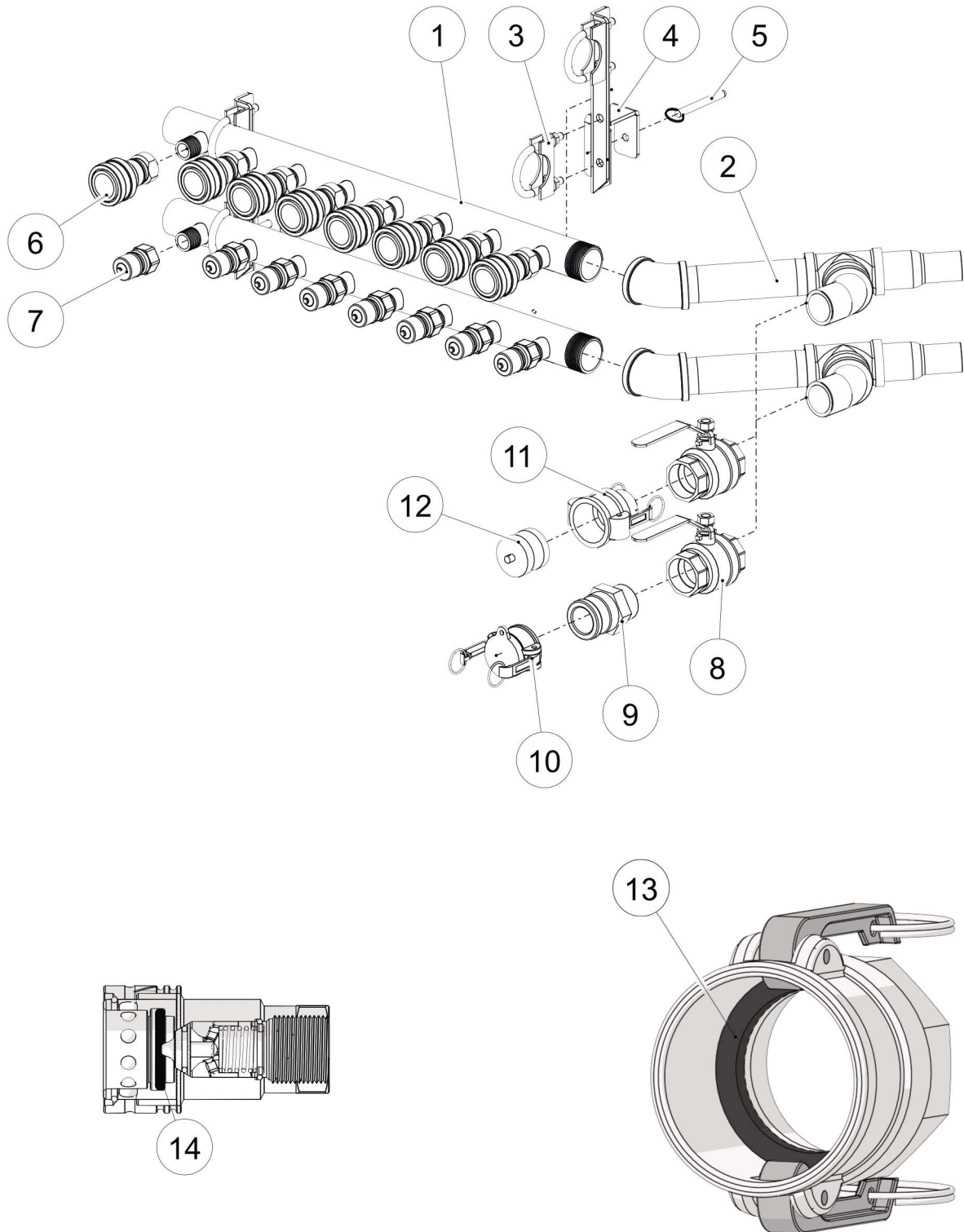




**Central Mobile Enclosure
600 GTS Series
Manifold**

S/N: 134601 -
S/N: 177010
PAGE: 4.1.2

Item No.	Part No.	Description	Qty.
1	018-900642	PKG PLMB MANF TOP 600GTS	1
2	018-900643	PKG PLMB MANF BTM 600GTS	1
3	011-700580	VLV BALL 1-1/2 400WOG FL PT BRS CGA NPTF	2
4	011-702847	KMLCK 1-1/2 ADPTR AL MALE NPT PART F	1
5	011-702848	KMLCK 1-1/2 FEMALE CPLR AL MALE NPT PART B	1
6	011-701517	QC NIPL 3/4 BRS NPTF	8
7	011-701518	QC CPLR 3/4 BRS NPTF	8
8	004-900636	BRKT MNT ASSY MANF 3/4QC 8-PORT 600GTS	2
9	001-700622	CLP MUF 1-7/8X3/8 BOLT ZINC PLD	4
10	001-703657	BOLT 1/2X4-1/2 PLD GR5	2
11	001-700100	WSHR FLT 1/2 PLT PLD	2
12	001-701606	NUT LKG NYL 1/2 UNC PLD	2
13	011-702849	KMLCK 1-1/2 DUST CAP AL PART DC	1
14	011-702850	KMLCK 1-1/2 DUST PLUG AL PART DP	1
15A	006-702960	GSKT 1-1/2IN KMLCK CPLR STD	1
15B	006-900825	GSKT 1-1/2IN KMLCK CPLR SILICONE RBR	1
16A	006-702958	O-RING 3/4IN QC CPLR (.101) (HANSEN)	1
16B	006-704311	O-RING 3/4IN QC CPLR (.141) (PARKER & DIXON)	1

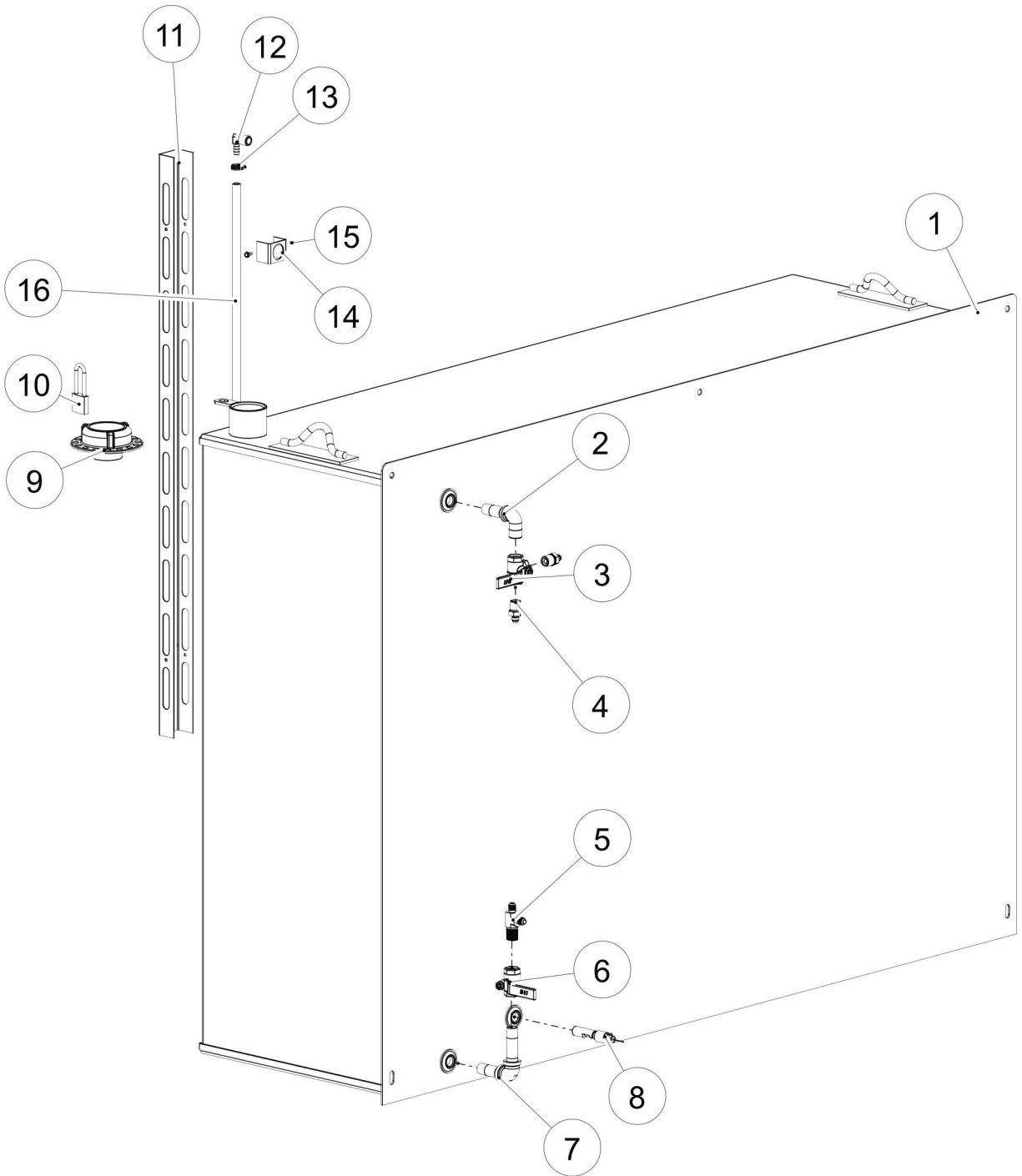




**Central Mobile Enclosure
600 GTS Series
Manifold**

S/N: 177001 -
S/N: Current
PAGE: 4.2.2

Item No.	Part No.	Description	Qty.
1	004-902937	MANF PIPE 1-1/2X27-3/4 8PORTX3/4	2
2	018-904995	PKG PLMB MFLD 600GTS HRA	2
3	001-700622	CLP MUF 1-7/8X3/8 BOLT ZINC PLD	4
4	004-904961	BRKT MFLD STAND 600GTS HRA	2
5	001-902939	PIN QR 3/8X3-1/2L CW RING	2
6	011-701518	QC CPLR 3/4 BRS NPTF	8
7	011-701517	QC NIPL 3/4 BRS NPTF	8
8	011-700580	VLV BALL 1-1/2 400WOG FL PT BRS CGA NPTF	2
9	011-702847	KMLCK 1-1/2 ADPTR AL MALE NPT PART F	1
10	011-702849	KMLCK 1-1/2 DUST CAP AL PART DC	1
11	011-702848	KMLCK 1-1/2 FEMALE CPLR AL MALE NPT PART B	1
12	011-702850	KMLCK 1-1/2 DUST PLUG AL PART DP	1
13A	006-702960	GSKT 1-1/2IN KMLCK CPLR STD	1
13B	006-900825	GSKT 1-1/2IN KMLCK CPLR SILICONE RBR	1
14A	006-702958	O-RING 3/4IN QC CPLR (.101) (HANSEN)	1
14B	006-704311	O-RING 3/4IN QC CPLR (.141) (PARKER & DIXON)	1

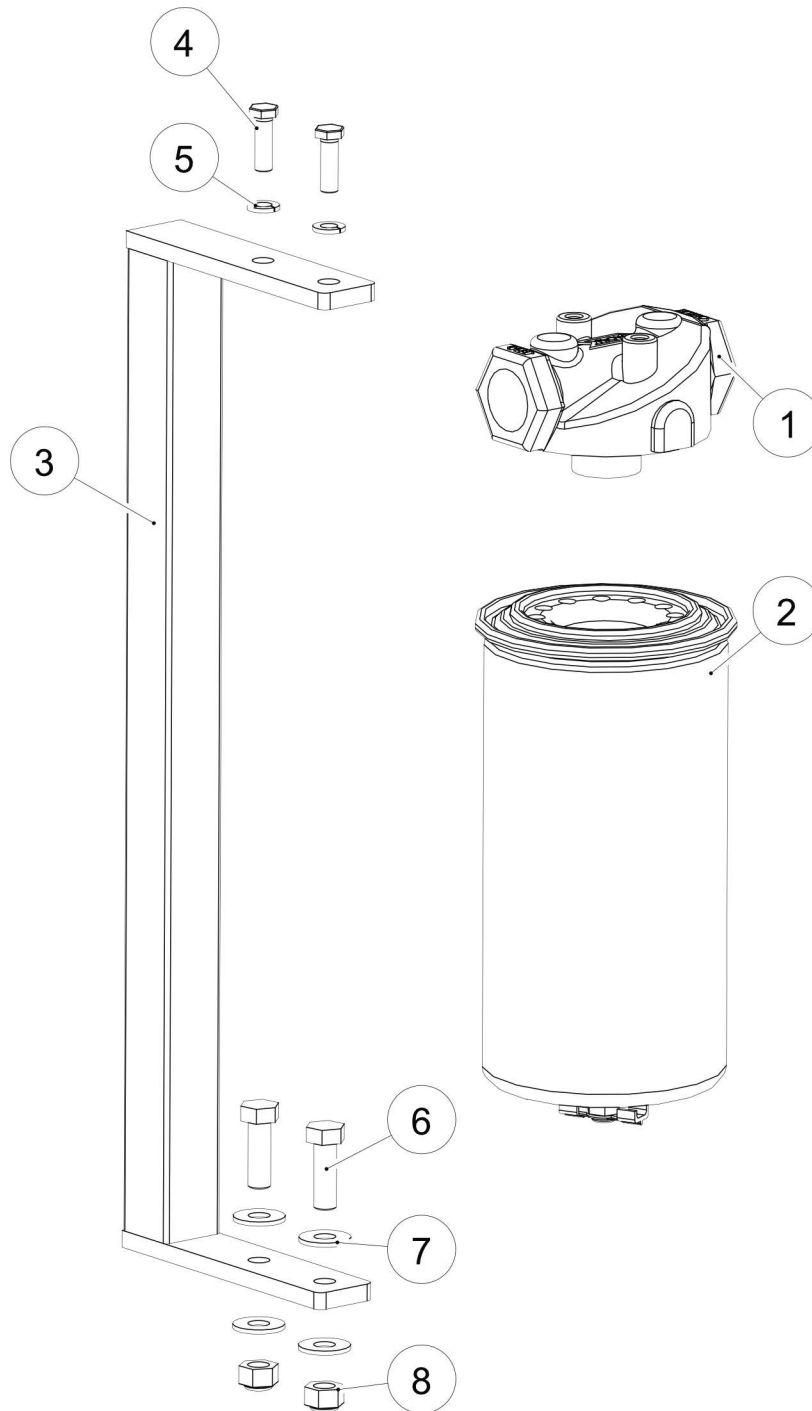




**Central Mobile Enclosure
600 GTS Series
Fuel Tank**

S/N: 162501 -
S/N: Current
PAGE: 5.1.2

Item No.	Part No.	Description	Qty.
1	004-900712	TANK DSL/FUEL OIL MOD 600GTS	1
2	018-900755	PKG PLMB FUEL RTN 600-GTS	1
3	011-702594	VLV 1/2 3-WAY BRS	1
4	011-702625	ADPTR 1/2 NPT X #6JIC 37DEG FLARE	2
5	011-901439	TEE #6JICX1/2NPTX#6JIC	1
6	011-700115	VLV BALL 1/2 400WOG STD BRS CGA NPTF	1
7	018-903675	PKG PLMB FUEL SPLY 600GTS-DG	1
8	002-702012	SW-FLOAT FSH-31	1
9	011-703500	CAP 2IN MPT NON-SPILL PRESS/VAC RLF GALV	1
10	001-900913	LOCK LONG SHANK (SAME KEY AS 001-702054)	1
11	004-900750	SIGHT GLASS SHIELD FUEL TANK 600GTS	1
	004-901170	SIGHT GLASS SHIELD FUEL TANK 600GTS GRN	1
12	011-900594	NIPL COMB 90ELB 1/2MPT X 3/8HB BRS	2
13	001-900792	CLP HOSE MINI HAS4 SLTD HEX HD SS	2
14	004-900742	MNT BRKT SIGHT GLASS SHIELD 600GTS	2
	004-901169	MNT BRKT SIGHT GLASS SHIELD 600GTS GRN	1
15	001-700630	SCRW D/T 10-16X1/2 5/16HEX HD PLD	4
16	016-900747	TUBING CLEAR 3/8ID CHEMICAL RESISTANT TYGON	42in

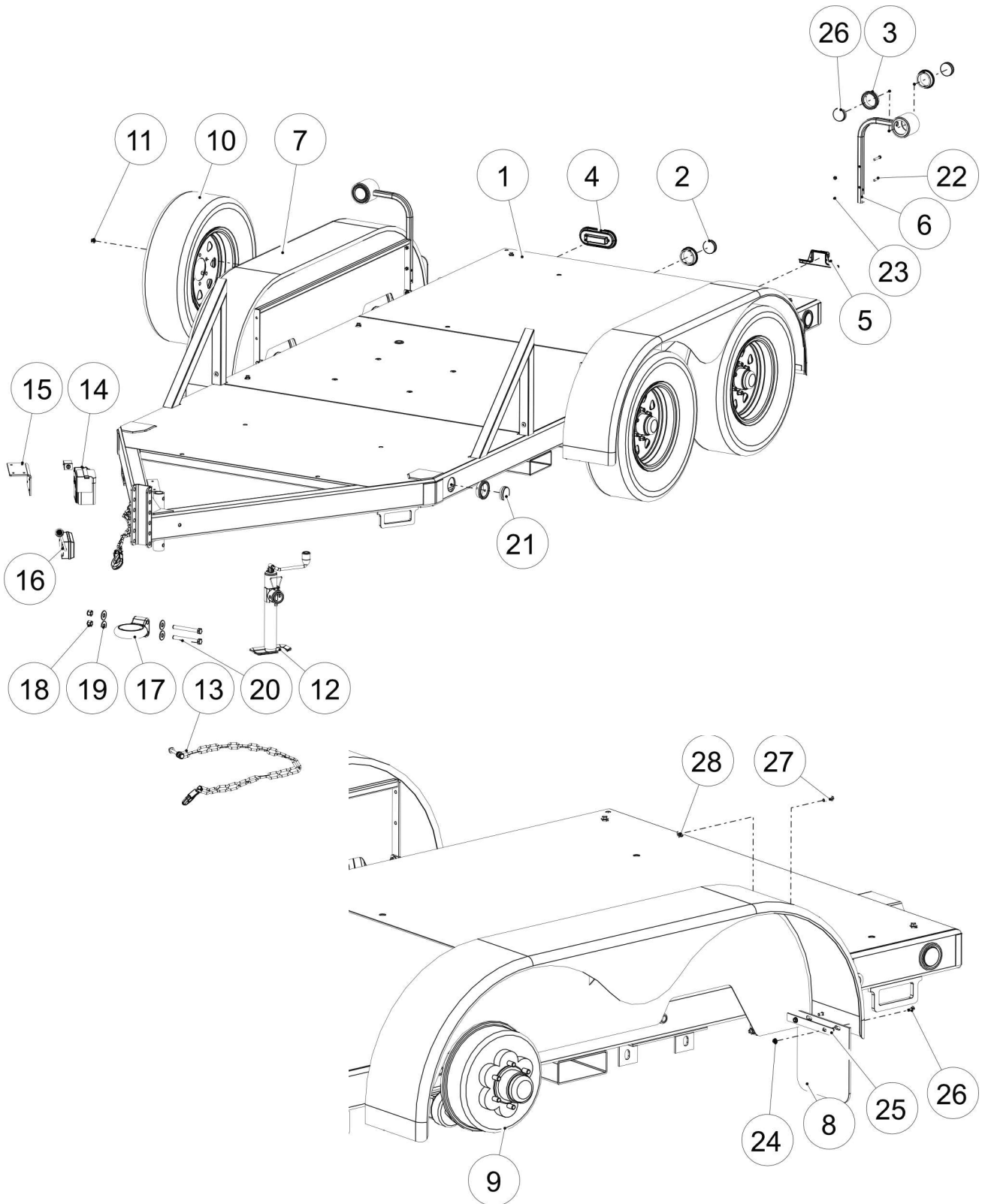




**Central Mobile Enclosure
600 GTS Series
Fuel Filter**

S/N: 134601 -
S/N: Current
PAGE: 5.1.4

Item No.	Part No.	Description	Qty.
1	012-702587	ADPTR FUEL FILTER MTG AL	1
2	012-702588	FILTER FUEL OIL PART/WTR COMB	1
3	004-900809	BRKT MNT FUEL FILTER GTS600	1
4	001-701482	BOLT 1/4X3/4 PLD GR5	2
5	001-700934	WSHR LOCK 1/4 PLD	2
6	001-700743	BOLT 5/16X1 PLD GR5	2
7	001-700742	WSHR FLT 5/16 PLD	4
8	001-700741	NUT LKG NYL 5/16 UNC PLD	2

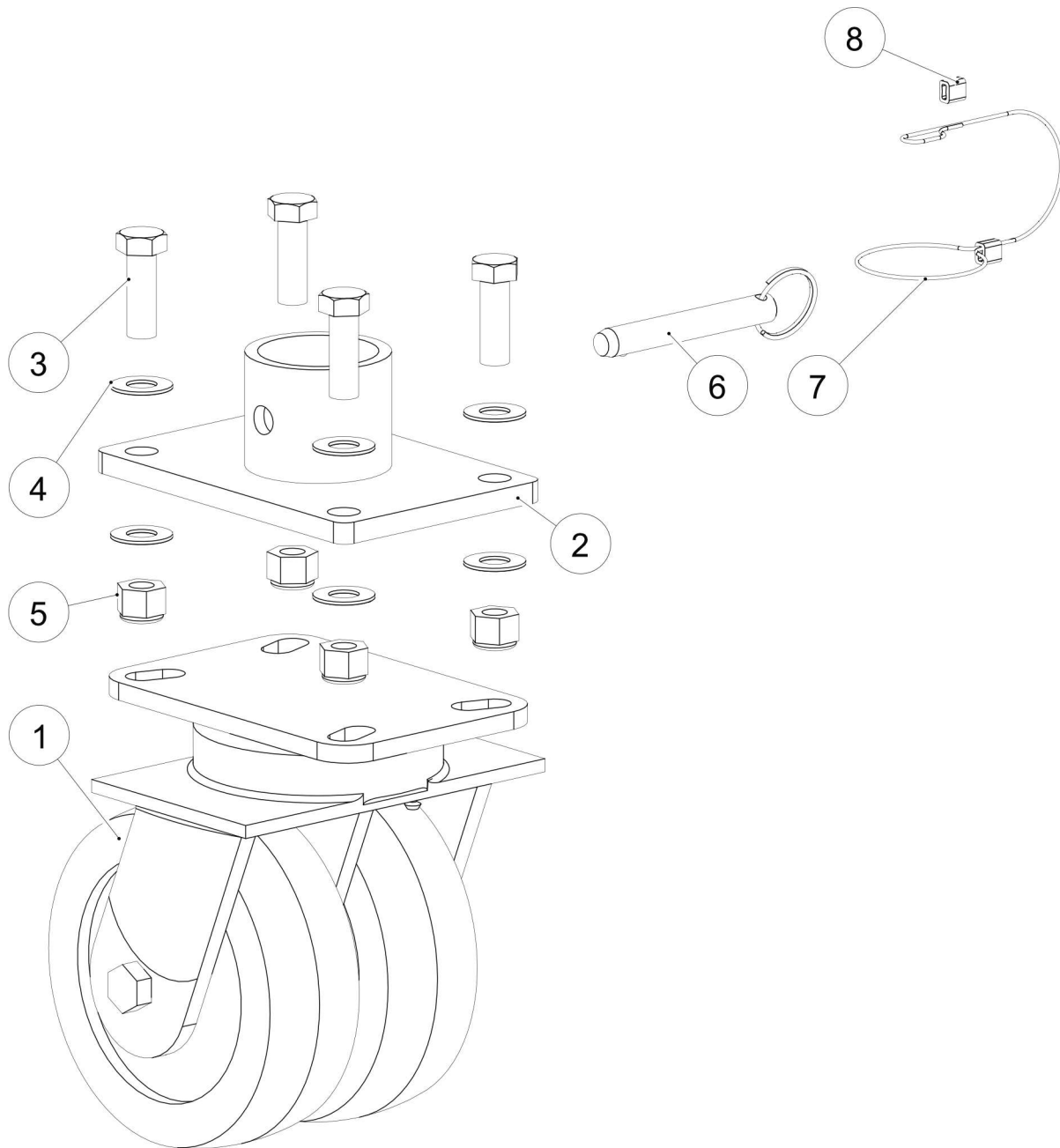




**Central Mobile Enclosure
600 GTS Series
Trailer**

S/N: 134601 -
S/N: Current
PAGE: 6.1.2

Item No.	Part No.	Description	Qty.
1	004-901155	FRAME MAIN GTS6000-2 WITH CASTER TUBE	1
	004-904963	FRAME MAIN 600GTS HRV4000 WITH CASTER TUBE	1
2A	002-701959	LIGHT RED CLEARANCE	7
2B	002-903031	LIGHT RED CLEARANCE 2.5IN LED	7
3	002-703321	GROM LAMP 2-1/2 INCH	11
4A	002-701957	GROM LAMP 6IN OVAL	2
4B	002-903032 - 002-903033 - 002-903034	LIGHT TAIL OVAL 6IN LED - GROM LAMP 6IN OVAL - PLUG LAMP 3 WIRE 90 DEG PIG TAIL	2-2-2
5	002-701961	LIGHT LICENSE PLT	1
6	010-703334	MNT CLEARANCE LIGHT TRLR	2
7	018-703352	FEN ASSY TR6000-2 TRLR	2
8	004-703335	MUD GD 10X10	2
9	012-903466	AXLE #11 TORFLEX 22.5DEG UP 6000LB TRK WD=83	2
10	012-704396	WHEEL ASSY ST225/75R15 6BLT ON 5.5IN LR-E	4
11	001-703962	NUT WHEEL 1/2 UNF	24
12	012-703003	JACK TOPWIND 5000LB 10IN LIFT	1
13	012-901107	CHAIN SAF 3/8X35 CW LATCH-HOOK 1/2IN LINK	2
14	004-701984	BREAKAWAY PKG	1
15	010-702025	BRKT BRKAWY SYS	1
16	002-901215	BOX JUNCTION TRLR ELEC 7 POLE	1
17	004-701955	LUNETTE EYE 3 INCH	1
18	001-700950	NUT LKG NYL 5/8 UNC PLD	2
19	001-703306	WSHR FLAT 5/8 PLT PLD	4
20	001-703348	BOLT 5/8X5-1/2 PLD GR5	2
21A	002-701958	LIGHT AMBER CLEARANCE	4
21B	002-903030	LIGHT AMBER CLEARANCE 2.5IN LED	4
22	001-700822	BOLT 5/16X2 PLD GR5	12
23	001-700741	NUT LKG NYL 5/16 UNC PLD	12
24	001-703308	NUT FLG 5/16 UNC PLD	4
25	004-703336	PLT MUD GD MNT TR6000-2	2
26	001-703307	BOLT CRG 5/16X3/4 UNC PLD GR5	4
27	001-700960	BOLT 3/8X1-1/4 PLD GR5	8
28	001-700721	NUT LKG NYL 3/8 UNC PLD	8
		The following components may not be shown	
	001-703316	BOLT 1/4X7/8 PLD GR5	5
	001-700042	NUT LKG NYL 1/4 UNC PLD	5
	001-703320	PIN LYNCH 3/16X1-1/4 1IN RING	1
	001-901105	BOLT 1/2X5 GR8 UNC PLD	2
	001-703279	NUT LKG UNITORQUE 1/2 UNC PLD	2
	001-901106	WSHR FLT 1/2 GR8 PLD	14
	001-700435	SCRW D/T 1/4-14X1 3/8HEX HD PLD	2
		<i>*Contact DRYAIR Parts Department for Assistance</i>	





**Central Mobile Enclosure
600 GTS Series
Caster Wheel**

S/N: 134601 -
S/N: Current
PAGE: 6.1.4

Item No.	Part No.	Description	Qty.
1	009-901148	WHEEL CASTER 6X2 DOUBLE	1
2	004-901154	MNT DOUBLE CASTER	1
3	001-700473	BOLT 1/2X1-1/2 PLD GR5	4
4	001-700110	WSHR FLT 1/2 SAE PLD	8
5	001-701606	NUT LKG NYL 1/2 UNC PLD	4
6	001-900989	PIN QUICK 1/2X3 RND LOOP	1
7	001-700451	CABLE ACFT 7X7 1/16 GALV	7IN
8	001-700450	SLEEVE OVAL 1/16 AL CABLE	2



**Central Mobile Enclosure
600 GTS Series
Hoses & Fuels Lines**

S/N: 134601 -
S/N: Current
PAGE: 7.1.1

Item No.	Part No.	Description	Qty.
		HOSE REEL HOSE	
1	000-904955	ASSY HOSE 5/8X500FT FRONTIER BLK CW 3/4BRS QC	8
		FLOW REVERSER LOOP	
2	013-704064	HOSE 1-1/2ID SUCTION WIRE HELIX	54IN
		FLOW REVERSER TO MANIFOLD	
3	013-704064	HOSE 1-1/2ID SUCTION WIRE HELIX	60IN
4	013-704064	HOSE 1-1/2ID SUCTION WIRE HELIX	64IN
		FLOW REVERSER TO HEAT EXCHANGER RETURN	
5	013-704064	HOSE 1-1/2ID SUCTION WIRE HELIX	21IN
		HEAT EXCHANGER RETURN TO HEAT EXCHANGER	
6	013-704064	HOSE 1-1/2ID SUCTION WIRE HELIX	7IN
		PUMP OUTLET	
7	013-700063	HOSE 1-1/4 VERSIFLO SUCT CW WIRE HLX	24IN
		PUMP INLET	
8	013-700063	HOSE 1-1/4 VERSIFLO SUCT CW WIRE HLX	26IN
		Y-STRAINER TO BLOWOUT LINE	
9	013-702634	HOSE 1/2 RED	34IN
		DANFOSS TO FUEL PREHEATER	
10	013-702633	HOSE 3/8 RED	52IN
		DANFOSS TO AIR PREHEATER	
11	013-702633	HOSE 3/8 RED	19IN
		GLYCOL TANK TO HEAT EXCHANGER OUTLET	
12	013-702634	HOSE 1/2 RED	11IN
		HEAT EXCHANGER RETURN TO FUEL PREHEATER	
13	013-702633	HOSE 3/8 RED	25IN
		HEAT EXCHANGER RETURN TO AIR PREHEATER	
14	013-702633	HOSE 3/8 RED	56IN
		GLYCOL PREHEATER TO HEAT EXCHANGER	
15	013-702636	HOSE 1 RED	27IN
		PUMP DRAINAGE	
16	013-702635	HOSE 3/4 RED	62IN
		GLYCOL TANK OVERFLOW	
17	013-702635	HOSE 3/4 RED	65IN
		GLYCOL TANK TO SIGHTGLASS	
18	013-702634	HOSE 1/2 RED	48IN
19	013-702634	HOSE 1/2 RED	56IN
		FUEL LINES	
20	004-704663	FUEL LINE 1/4X49IN #6/#6JICF 37DEG STR SWV	2
21	004-902279	FUEL LINE 1/4X20-1/2IN #6JICF SWVL ENDS	1
22	004-903489	FUEL LINE 1/4X33IN #6JICF 37DEG STR SWV	1
23	004-903490	FUEL LINE 1/4X37IN #6JICF 37DEG STR SWV	1



Central Mobile Enclosure
600 GTS Series
Exterior Decals

S/N: 134601 -
S/N: Current
PAGE: 8.1.1



Item No.	Part No.	Description	Qty.
1	003-900483	DECAL GREENTHAW BY DRYAIR 15.8X3.8	2
2	003-901113	DECAL GREENTHAW BY DRYAIR 16.5X4 WHT	2
3	003-900678	DECAL SUB40	2
4	003-901115	DECAL SUB40 WHT	2
5	003-900478	DECAL GREENTHAW 58.5X10	3
6	003-901111	DECAL GREENTHAW 58.5X10 WHT	3
7	003-900479	DECAL 600GTS 16.5X3.1	2
8	003-901112	DECAL 600GTS 16.75X3 WHT	2
9	003-901009	DECAL WWW.DRYAIR.CA 21.75X2.18	3
10	003-901114	DECAL WWW.DRYAIR.CA 22.25X2 WHT	3
11	003-906739	DECAL QR OP MAN 600 GTS	1

1

**SAFETY FIRST
LA SÉCURITÉ**

OBSERVE ALL SAFETY PRECAUTIONS AS OUTLINED BY OCCUPATIONAL HEALTH & SAFETY REFER TO SERVICE MANUAL FOR DETAILS
RESPECTEZ TOUTES LES PRÉCAUTIONS COMME INDIQUÉ PAR SANTÉ ET SÉCURITÉ AU TRAVAIL, CONSULTEZ LE MANUEL DE SERVICE POUR LES DÉTAILS

003-700159-R02

2

**POWER SUPPLY
230 VOLT
SINGLE PHASE
CONNECTION
4-WIRE**

ELECTRICAL CONNECTION

003-701466-R1

3

**MADE IN CANADA
FABRIQUÉ AU CANADA**

003-703323R01

4

**HEAT TRANSFER
FLUID LEVEL**

SAFE OPERATING RANGE BETWEEN 1/4 and 3/4 ON THE LEVEL GAUGE
CHECK FLUID LEVELS DAILY
USE ONLY APPROVED ANTIFREEZE (HTF) / WATER MIXTURE

**NIVEAU DE FLUIDE
CALOPORTEUR**

GAMME DE FONCTIONNEMENT SÛRE ENTRE 1/4 ET 3/4 SUR LA JAUGE DE NIVEAU
VÉRIFIEZ LES NIVEAUX DE FLUIDE QUOTIDIENNEMENT
UTILISEZ MÉLANGE D'ANTIGEL FLUIDE CALOPORTEUR/D'EAU

003-701454-R03

5

**TANK MUST BE
EMPTIED BEFORE
TRANSPORT
WITHIN
CANADA**

003-904737

6

**DIESEL FUEL ONLY
DIESEL SEULEMENT**

This appliance is rated for #1 or #2 light oil/diesel
Cet appareil est classé pour #1 et #2 pétrole léger/diesel

**DIESEL FUEL ONLY
DIESEL SEULEMENT**

This appliance is rated for #1 or #2 light oil/diesel
Cet appareil est classé pour #1 et #2 pétrole léger/diesel

003-702436 R2

7

LIGHT OIL/DIESEL
PÉTROLE LÉGER/DIESEL
LIGHT OIL/DIESEL
PÉTROLE LÉGER/DIESEL
LIGHT OIL/DIESEL
PÉTROLE LÉGER/DIESEL

003-702436 R2

8

WARNING! ATTENTION!

LIFTING HOOKS ARE FOR REMOVING ENCLOSURE FROM TRAILER ONLY!

LES CROCHETS DE LEVAGE SONT POUR RETIRE L'ENCEINTE DE REMORQUE SEULEMENT!

003-900786R01

9

WARNING ATTENTION

NOT FOR LIFTING OR TIE DOWN. HOOKS ARE FOR MANUFACTURING USE ONLY!
PAS POUR LE LEVAGE OU ARRIMAGE. LES CROCHETS SONT POUR L'USAGE DE FABRICATION SEULEMENT!

003-901162R01

10

003-906823

11

ATTENTION

CE COUVERCLE DOIT ÊTRE EN PLACE AVANT DE METTRE LE BRÛLEUR EN MARCHÉ

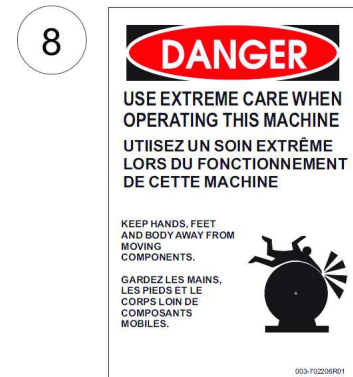
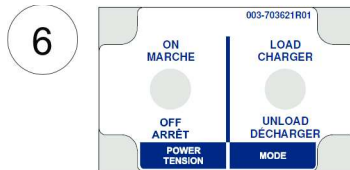
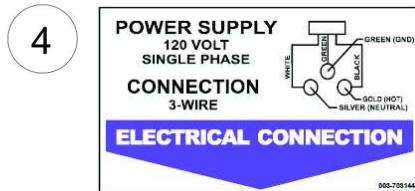
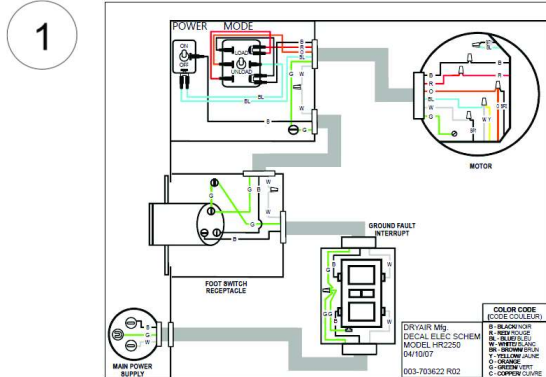
003-906839

12

DIESEL

003-906842

Item No.	Part No.	Description	Qty.
1	003-700159	DECAL SAFETY FIRST	1
2	003-701455	DECAL ELEC 4WIRE HOOKUP	1
3	003-703323	DECAL MADE IN CANADA 1.5x3	1
4	003-701454	DECAL HTF FLUID LEVELS	1
5	003-904737	DECAL TANK MUST BE EMPTIED	1
6	003-702435	DECAL DSL ONLY MOD 2100 DSL	1
7	003-702436	DECAL STRIP DSL/LIGHT OIL MOD 2100	1
8	003-900786	DECAL FOR LIFTING ENCLOSURE OFF ONLY	4
9	003-901162	DECAL NOT FOR LIFTING OR TIE DOWN	6
10	003-906823	DECAL GND SYMBOL	1
11	003-906839	DECAL ATTN BNR COVER INSTALLED FRENCH ONLY	1
12	003-906842	DECAL DIESEL 2-1/2X1	2

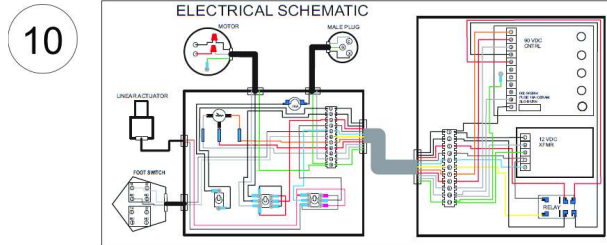
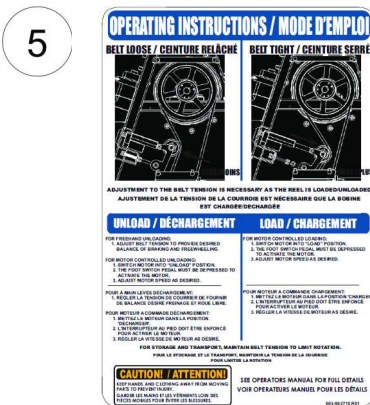
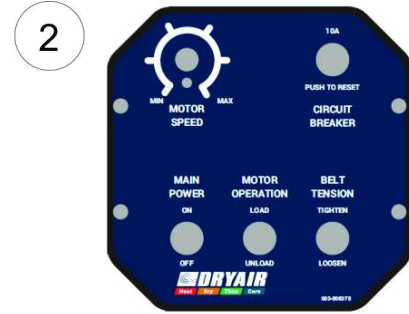


Item No.	Part No.	Description	Qty.
1	003-703622	DECAL ELEC SCHEM MOD 2250-HR	1
2	003-906422	DECAL DRYAIR 12X2 NEW	1
3	003-703253	DECAL HEAT THAW CURE DRY 12 X .77	1
4	003-703144	DECAL ELEC HKP 3-WIRE	1
5	003-900787	DECAL NOT FOR DETACHED USE	1
6	003-703621	DECAL TOGGLE SW ID MOD 2250-HR	1
7	003-702207	DECAL DANGER DO NOT OPERATE	1
8	003-702206	DECAL DANGER USE EXTREME CARE	1
9	003-906754	DECAL QR OP MAN HOSE REEL	1



Central Mobile Enclosure 600 GTS Series HRV4000 Decals

S/N: 134601 -
S/N: Current
PAGE: 8.1.6



Item No.	Part No.	Description	Qty.
1	003-906374	DECAL DRYAIR 9-5/8L 1-1/2W NEW BLUE	1
2	003-906375	DECAL CNTRL FPLATE HRA NEW BLUE	1
3	003-700159	DECAL SAFETY FIRST	1
4	003-702207	DECAL DANGER DO NOT OPERATE	1
5	003-902715	DECAL OPR INSTR HRA	1
6	003-903397	DECAL EXT CORD USE	1
7	003-702648	DECAL DANGER 110V	1
8	003-903355	DECAL WARNING EXT CORD SHOCK	1
9	003-703323	DECAL MADE IN CANADA 1.5x3	1
10	003-902714	DECAL ELEC SCHEM HRA	1
11	003-906754	DECAL QR OP MAN HOSE REEL	1

