



Heat

Dry

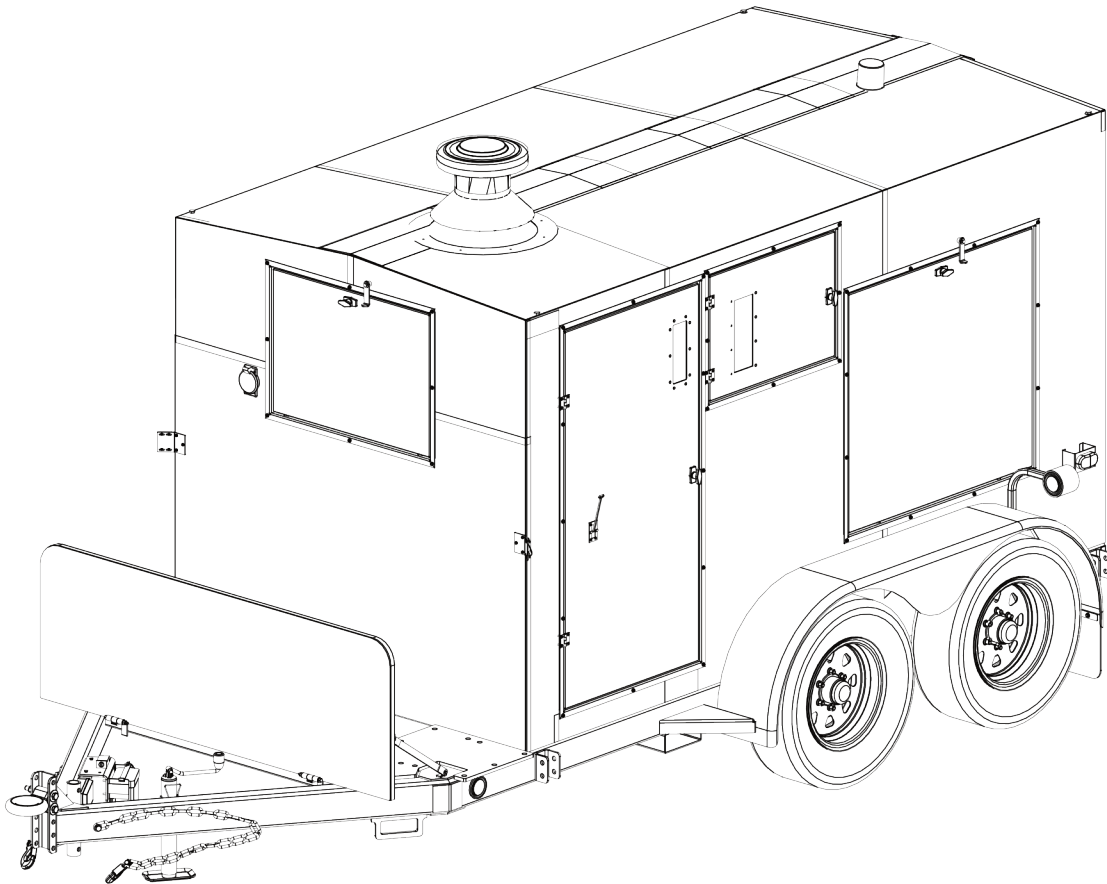
Thaw

Cure

PARTS CATALOGUE

Central Mobile Enclosure

650 GTS Series



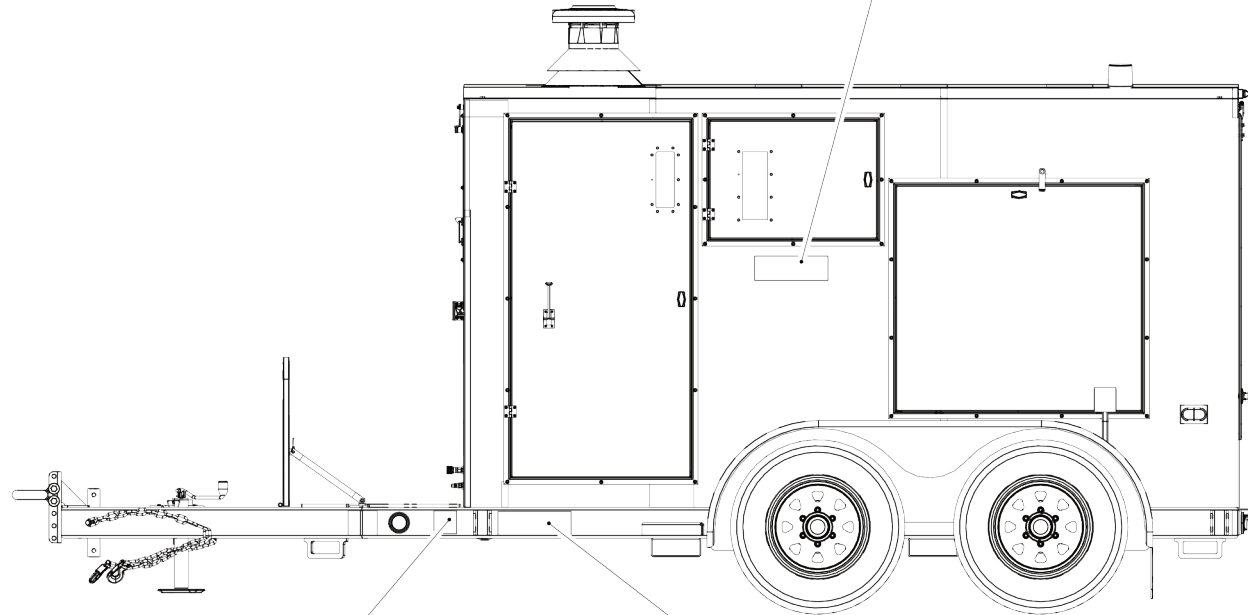
DRYAIR MANUFACTURING CORP.
PO BOX 126, 400 SERVICE ROAD
ST. BRIEUX, SK S0K 3V0
CANADA
www.dryair.ca

Tel: 1 (306) 275-4848
Toll-Free: 1 (888) 750-1700
Fax: 1 (306) 275-4664
Email: parts@dryair.ca



**Central Mobile Enclosure
650 GTS Series
Serial Number Location**

DRYAIR		P.O. Box 126 400 Service Road St. Brieux, SK Canada S0K 3V0		MADE IN CANADA	
Serial No.:	Reference:	Prod. Sched.:			
Main Power		Oil Burner		Natural Gas Burner	
Units:	240 VOLT, 1.0	Model:	Rheo 40-F20	Model:	Rheo 40-G500
Phase:	1	Fuel:	#2 Heating Oil #1 Heating Oil	Fuel:	Natural Gas
Hz:	60 HZ	Capacity:	140,000 BTU / US Gal. 136,000 BTU / US Gal.	Capacity:	1000 BTU/Hr
Max. Assembly:	50 A	Output:	BTU/Hr	Max. Gas Pressure:	14" W.C.
Control Voltage:	120/240VAC	Fuel Input:	US GPM	Min. Gas Pressure:	12" W.C.
Wiring Diagram:	A	Pump Pressure:	PSI	Manifold Gas Pressure:	W.C.
Max. Consumption:	A			Input Capacity:	BTU/Hr
				Output Capacity:	BTU/Hr
Complies to: ANSI Z21.13		Clearances:			
ULV		Side:	36" (914mm minimum)		
C		Flue Pipe:	36" (914mm minimum)		
		Floor:	12" (305mm non-combustible)		



MANUFACTURED BY/FABRIQUÉ PAR:	DRYAIR MANUFACTURING CORP.
IMPORTÉ PAR/IMPORTÉ PAR:	UPS SUPPLY CHAIN SOLUTIONS
DATE OF MANUFACTURE:	
DATE DE FABRICATION:	
GVWR/PNBV	5450 KG (12000 LB)
GAWR FRONT/PNE AVANT	2700KG (6,000 LB)
TIRES/PNEUS	ST225/75R15 (D)
RIMS/JANTES	T-15x6K
COLD TIRE INFL. SINGLE/GONFLAGE PNEU À FROID UNIQUE	448kPa (65 PSI)
GAWR REAR/PNE ARRIERE	2700KG (6,000 LB)
TIRES/PNEUS	ST225/75R15 (D)
RIMS/JANTES	T-15x6K
COLD TIRE INFL. SINGLE/GONFLAGE PNEU À FROID UNIQUE	448 kPa (65PSI)
THIS VEHICLE CONFORMS TO ALL APPLICABLE FEDERAL MOTOR VEHICLE SAFETY STANDARDS IN EFFECT ON THE DATE OF MANUFACTURE SHOWN ABOVE. CE VÉHICULE CONFORME À TOUTES LES NORMES FÉDÉRALES DE LA SÉCURITÉ AUTOMOBILE EN VIGUEUR À LA DATE DE FABRICATION INDIQUÉE CI-DESSUS.	
VIN: ZDRUS629 S / NV: ZDRUS629 S	
TYPE: TRAILER / TYPE: REMORQUE	

MANUFACTURED BY/FABRIQUÉ PAR:		DRYAIR MANUFACTURING CORP. ST. BRIEUX, SK CANADA S0K 3V0 (306) 275-4848	
DATE:			
GVWR/PNBV 5450KG			
GAWR/PNEB KG	TIRE/PNEU - DIMENSION - RIM/JANTE	COLD INFL PRESS / PRESS. DE GONFL. À FROID PSI/LPC KPA	
1st 2700	ST225/75R15 D T-15 X 6K	65	448
2nd 2700	ST225/75R15 D T-15 X 6K	65	448
3rd			
V.I.N./N.I.V.: ZDRUS629 S			
TYPE OF VEHICLE/TYPE DE VÉHICULE: TRA/REM			



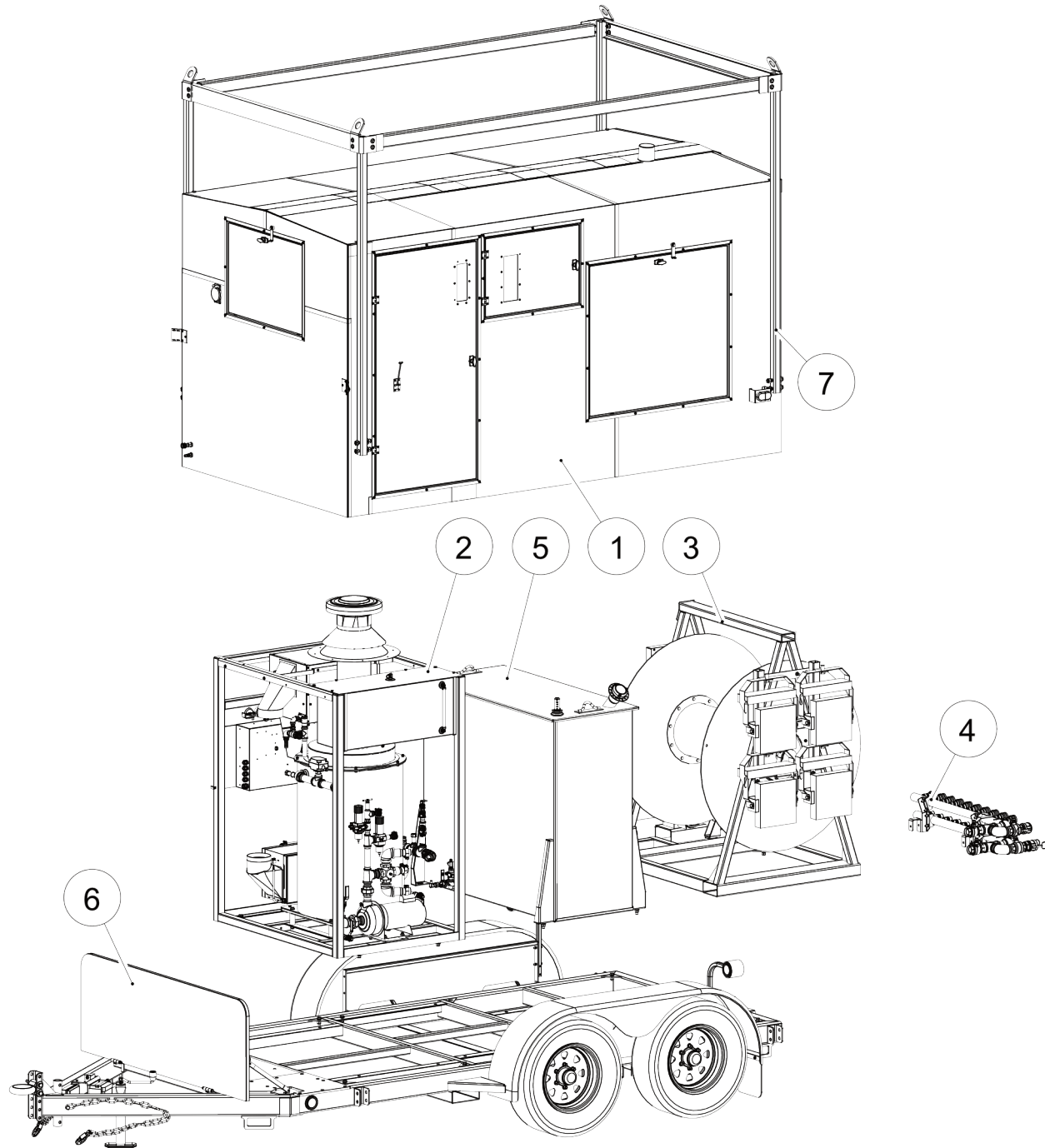
**Central Mobile Enclosure
650 GTS Series
Table of Contents**

Master Assembly	1.1.1
Enclosure	1.1.3
Enclosure Panels	1.1.5
Front Lift Out Door.....	1.1.7
Pump Side Door	1.1.9
Short Door	1.1.11
Lift Out Door	1.1.13
Control Side Door	1.1.15
Hose Door	1.1.17
Water Heater	2.1.1
Heat Exchanger.....	2.1.3
Glycol Preheater.....	2.1.7
Control Panel.....	2.1.9
Air and Fuel Preheater	2.1.11
Pump	2.1.13
Gas Train.....	2.1.17
Diesel Burner.....	2.1.21
NG/PN Burner	2.1.23
Glycol Tank.....	2.1.25
Chimney	2.1.27
Glycol Fill Hose.....	2.1.29
Fuel Filter.....	2.1.31
HRV 5000	3.1.1
Belt Drive	3.1.3
Spool	3.1.5
Control HRA	3.1.7
Switch HRA	3.1.9
Manifold	4.1.1
Fuel Tank	5.1.1
Trailer	6.1.1
Hoses and Fuel Lines.....	7.1.1
Decals	8.1.1



**Central Mobile Enclosure
650 GTS Series
Master Assembly**

S/N: 180001 -
S/N: Current
PAGE: 1.1.1



Master Assembly

Part No. 023-905851
Rev. 01 04-17-2023



**Central Mobile Enclosure
650 GTS Series
Master Assembly**

S/N: 180001 -
S/N: Current
PAGE: 1.1.2

Item No.	Part No.	Description	Qty.
1		ENCLOSURE - see page 1.1.3	
2		WATER HEATER - see page 2.1.1	
3		HOSE REEL - see page 3.1.1	
4		MANIFOLD - see page 4.1.1	
5		FUEL TANK - see page 5.1.1	
6		TRAILER - see page 6.1.1	
7	018-905033	PKG LIFT FRAME 650GTS	

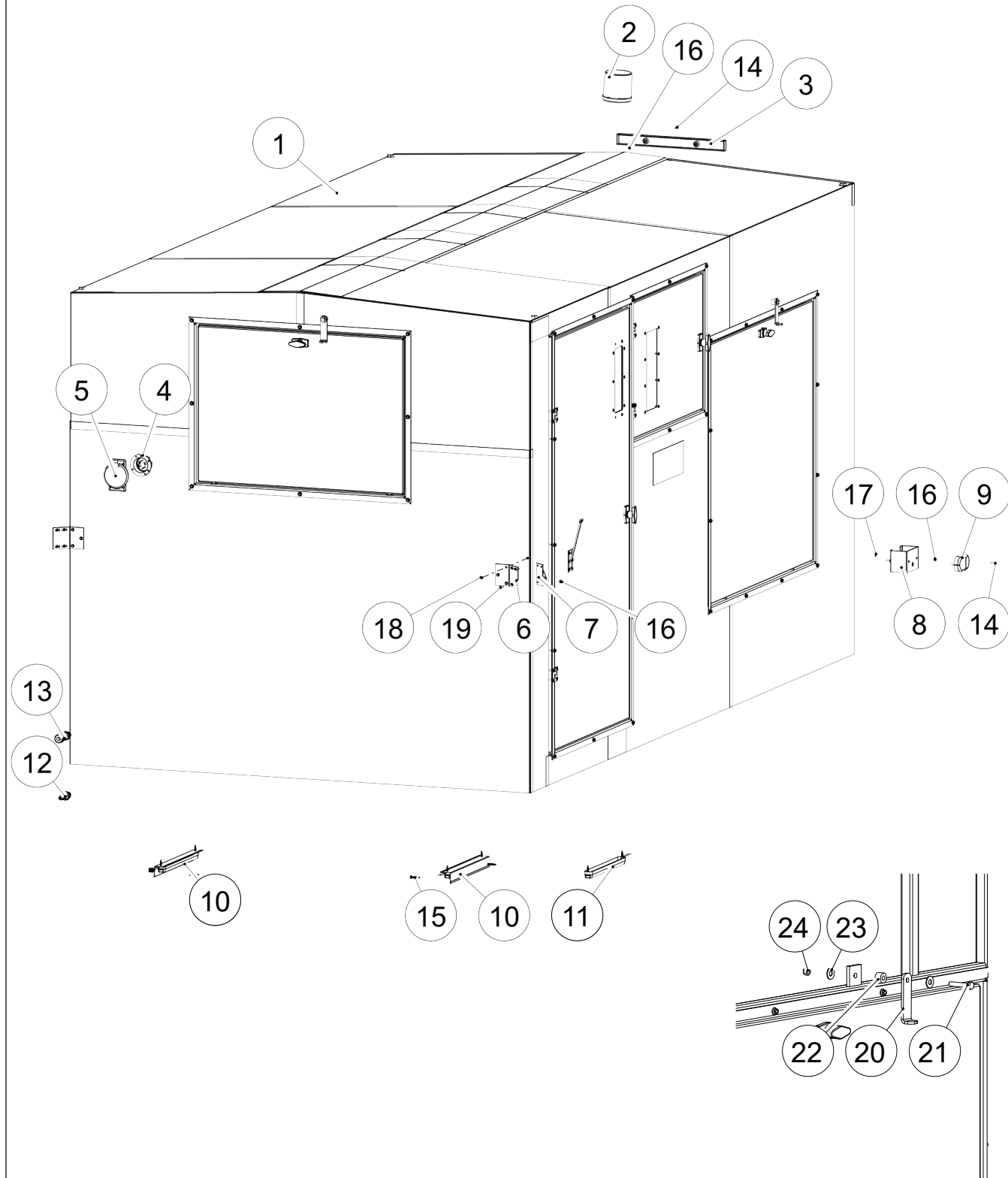
Master Assembly

Part No. 023-905851
Rev. 01 04-17-2023



**Central Mobile Enclosure
650 GTS Series
Enclosure**

S/N: 180001 -
S/N: Current
PAGE: 1.1.3



Enclosure

Part No. 023-905851
Rev. 01 04-17-2023



**Central Mobile Enclosure
650 GTS Series
Enclosure**

S/N: 180001 -
S/N: Current
PAGE: 1.1.4

Item No.	Part No.	Description	Qty.
1		PANELS - see page 1.1.5	
2A	002-900727	LIGHT STROBE GREEN 120V (OBS: USE 002-906924)	1
2B	006-900930	BULB STROBE 129Z Replacement bulb for 006-900727	1
2C	002-906924	LIGHT STROBE LP3T-120G	1
2D	006-906925	LIGHT STROBE BULB LP3T-120G Replacement bulb for 002-906294	1
2E	006-906926	LIGHT STROBE GREEN CVR LP3T-120G Replacement cover for 002-906924	1
2F	006-906927	LIGHT STROBE MNT AND GSKT KIT LP3T-120G Replacement mount and gasket for 002-906924	1
3	002-903029	LIGHT BAR RED 3 LIGHT LED	1
4	002-900758	RCTP FLANGED INLET TWIST LOCK 30A 125/250V	1
5	002-900759	CVR RCPT FLANGED INLET TWIST LOCK W/P	1
6	004-905263	BRKT MNT DOOR HOLD BACK	2
7	001-903522	BASE HOLD-BACK ZINC PLD	2
8	004-904863	MNT CLEARANCE LIGHT ENC 650GTS	2
9	002-904862	LIGHT CLEARANCE RED SURF MT LED	2
10	004-904505	PNL LIGHT DEFLECTOR FRT 16L	2
11	002-900724	LIGHT BAR LED SLIMLITE COURTESY	3
12	018-905939	ASSY PLUMB GEN FUEL SPLY 650GTS	1
13	018-905940	ASSY PLUMB GEN FUEL RTN 650GTS	1
14	001-900439	SCRW MACH 10-24X3/4 SS UNC BTN-HD 1/8HEX-DR	10
15	001-704113	SCRW D/T #10X1-1/4 PAN HD/SQ SKT DR	6
16	001-703910	NUT LKG #10-24 SS UNC	18
17	001-703909	WSHR FLT #10 SS	4
18	001-700236	SCRW D/T 10-24X3/4 5/16 HEX HD	6
19	001-704515	SCRW MACH 10-24X1/2 SS UNC BTN HD 1/8HEX DR	8
20	004-904810	TAB DOOR CATCH 3-11/16L 400GTS	3
21	001-905064	BOLT 5/16X1-3/4 UNC PLD GR5	3
22	001-904809	SPCR .32ID X 1/2L FOR 5/16 BOLT ALUM	3
23	001-700742	WSHR FLT 5/16 PLD	6
24	001-700741	NUT LKG NYL 5/16 UNC PLD	3

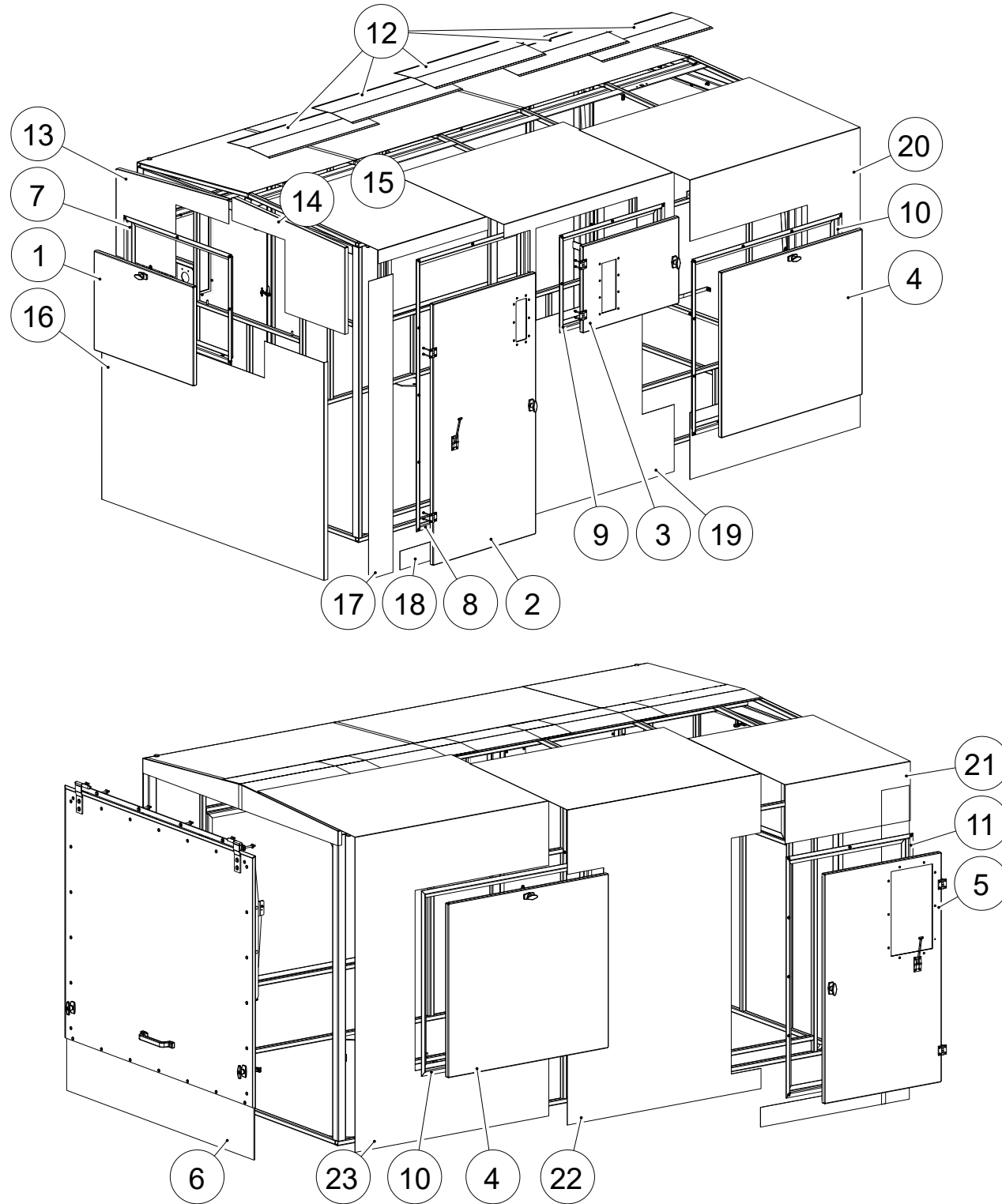
Enclosure

Part No. 023-905851
Rev. 01 04-17-2023



**Central Mobile Enclosure
650 GTS Series
Enclosure Panels**

S/N: 180001 -
S/N: Current
PAGE: 1.1.5



Enclosure Panels

Part No. 023-905851
Rev. 01 04-17-2023



**Central Mobile Enclosure
650 GTS Series
Enclosure Panels**

S/N: 180001 -
S/N: Current
PAGE: 1.1.6

Item No.	Part No.	Description	Qty.
1		LIFT OUT FRONT - see page 1.1.7	
2		PUMP SIDE DOOR - see page 1.1.9	
3		SHORT DOOR - see page 1.1.11	
4		LIFT OUT SIDE DOOR - see page 1.1.13	
5		CTRL SIDE DOOR - see page 1.1.15	
6		HOSE DOOR - see page 1.1.17	
7A	004-904867	ASSY FRAME DOOR 30-1/2X21-7/8 650GTS	1
7B	004-906059	ASSY FRAME DOOR 30-1/2X21-7/8 GRN 650GTS	1
8A	004-904880	ASSY FRAME DOOR 29X57-5/8 650GTS	1
8B	004-906055	ASSY FRAME DOOR 29X57-5/8 GRN 650GTS	1
9A	004-902853	ASSY FRAME DOOR SHORT 29-1/2L X 21-1/2W	1
9B	004-906057	ASSY FRAME DOOR SHORT GRN 29-1/2L X 21-1/2W	1
10A	004-904876	ASSY FRAME DOOR 36-1/2X39-3/4 650GTS	2
10B	004-906056	ASSY FRAME DOOR 36-1/2X39-3/4 GRN 650GTS	2
11A	004-904331	ASSY FRAME DOOR 29X48	1
11B	004-904605	ASSY FRAME DOOR 29X48 200GTS GRN	1
12A	004-905210	PNL ENC ROOF CAP SHORT 650GTS	5
12B	004-906073	PNL ENC ROOF CAP SHORT GRN 650GTS	5
13	004-905207	PNL ENC FRT R 650GTS	1
13B	004-906070	PNL ENC FRT R GRN 650GTS	1
14A	004-905208	PNL ENC FRT L 650GTS	1
14B	004-905224	PNL ENC FRT L GRN 650GTS	1
15A	004-905197	PNL ENC TOP L FRT 650GTS	1
15B	004-905213	PNL ENC TOP L FRT GRN 650GTS	1
16A	004-905209	PNL ENC FRT BTM 650GTS	1
16B	004-905225	PNL ENC FRT BTM GRN 650GTS	1
17A	004-905211	PNL ENC FRT SIDE L-R 650GTS	2
17B	004-905227	PNL ENC FRT SIDE L-R GRN 650GTS	2
18A	004-905212	PNL ENC FRT BTM SIDE L-R 650GTS	2
18B	004-905228	PNL ENC FRT BTM SIDE L-R GRN 650GTS	2
19A	004-905198	PNL ENC SIDE L CNTR 650GTS	1
19B	004-905214	PNL ENC SIDE L CNTR GRN 650GTS	1
20A	004-905199	PNL ENC SIDE L REAR 650GTS	1
20B	004-905215	PNL ENC SIDE L REAR GRN 650GTS	1
21A	004-905206	PNL ENC TOP R FRT 650GTS	1
21B	004-905222	PNL ENC TOP R FRT GRN 650GTS	1
22A	004-905205	PNL ENC SIDE R CNTR 650GTS	1
22B	004-905221	PNL ENC SIDE R CNTR GRN 650GTS	1
23A	004-905204	PNL ENC SIDE R REAR 650GTS	1
23B	004-905220	PNL ENC SIDE R REAR GRN 650GTS	1

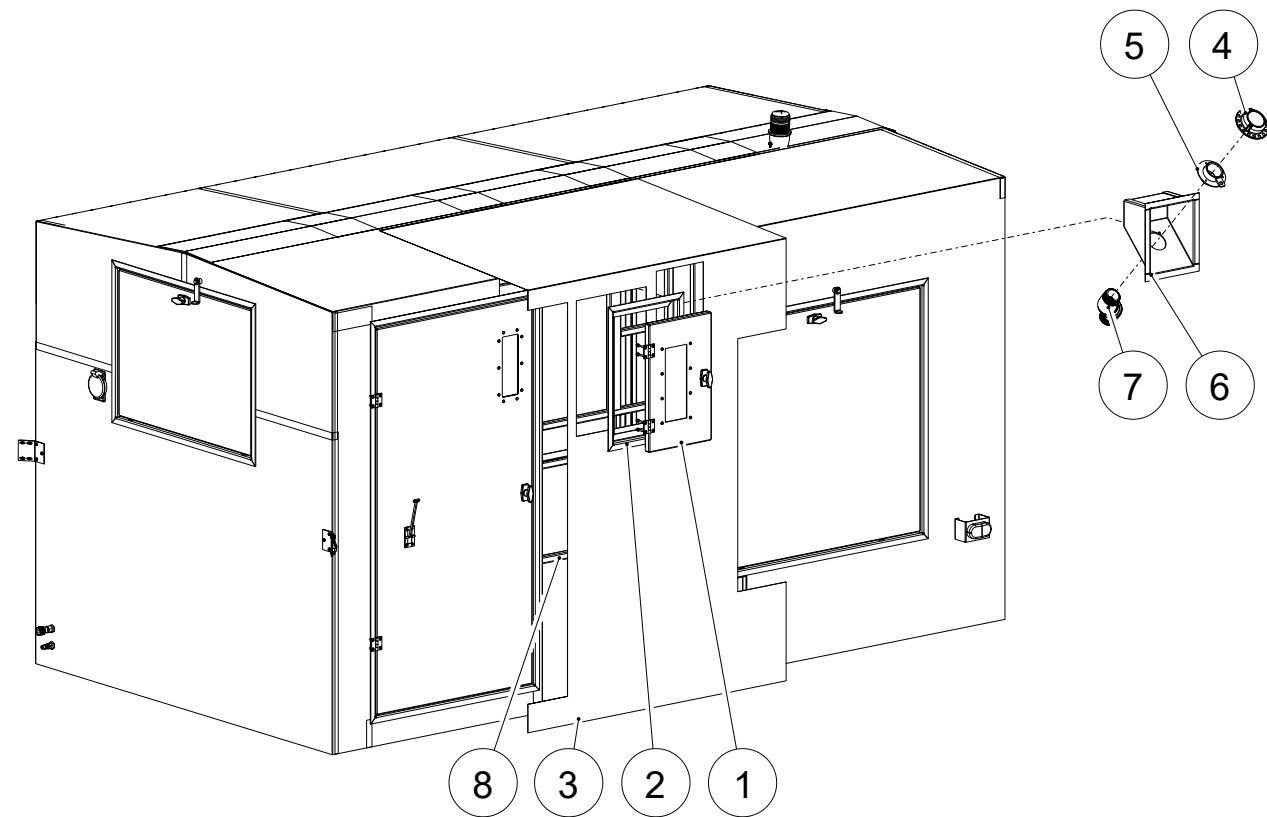
Enclosure Panels

Part No. 023-905851
Rev. 01 04-17-2023



**Central Mobile Enclosure
650 GTS Series
Enclosure Panels**

S/N: 180001 -
S/N: Current
PAGE: 1.2.5



Enclosure Panels

Part No. 023-905851
Rev. 01 04-17-2023



**Central Mobile Enclosure
650 GTS Series
Enclosure Panels**

S/N: 180001 -
S/N: Current
PAGE: 1.2.6

Item No.	Part No.	Description	Qty.
1		SHORT DOOR - see page 1.2.11	
2	004-906563	ASSY FRAME DOOR FUEL LEVEL 650GTS	1
3	004-906560	PNL ENC SIDE L 650GTS RECESSED FUEL FILL	1
4	011-703500	CAP 2IN MPT NON-SPILL PRESS/VAC RLF GALV	1
5	004-905739	COUPLER WELDMENT RECESSED FUEL FILL	1
6	004-905711	FUEL INLET RECESSED WELDMENT	1
7	018-906572	ASSY PLMB 650GTS RECESSED FUEL FILL	1
8	004-906557	FRAME ENCL 650GTS RECESSED FUEL FILL	1
<i>See page 1.1.5 for common Enclosure Panels</i>			

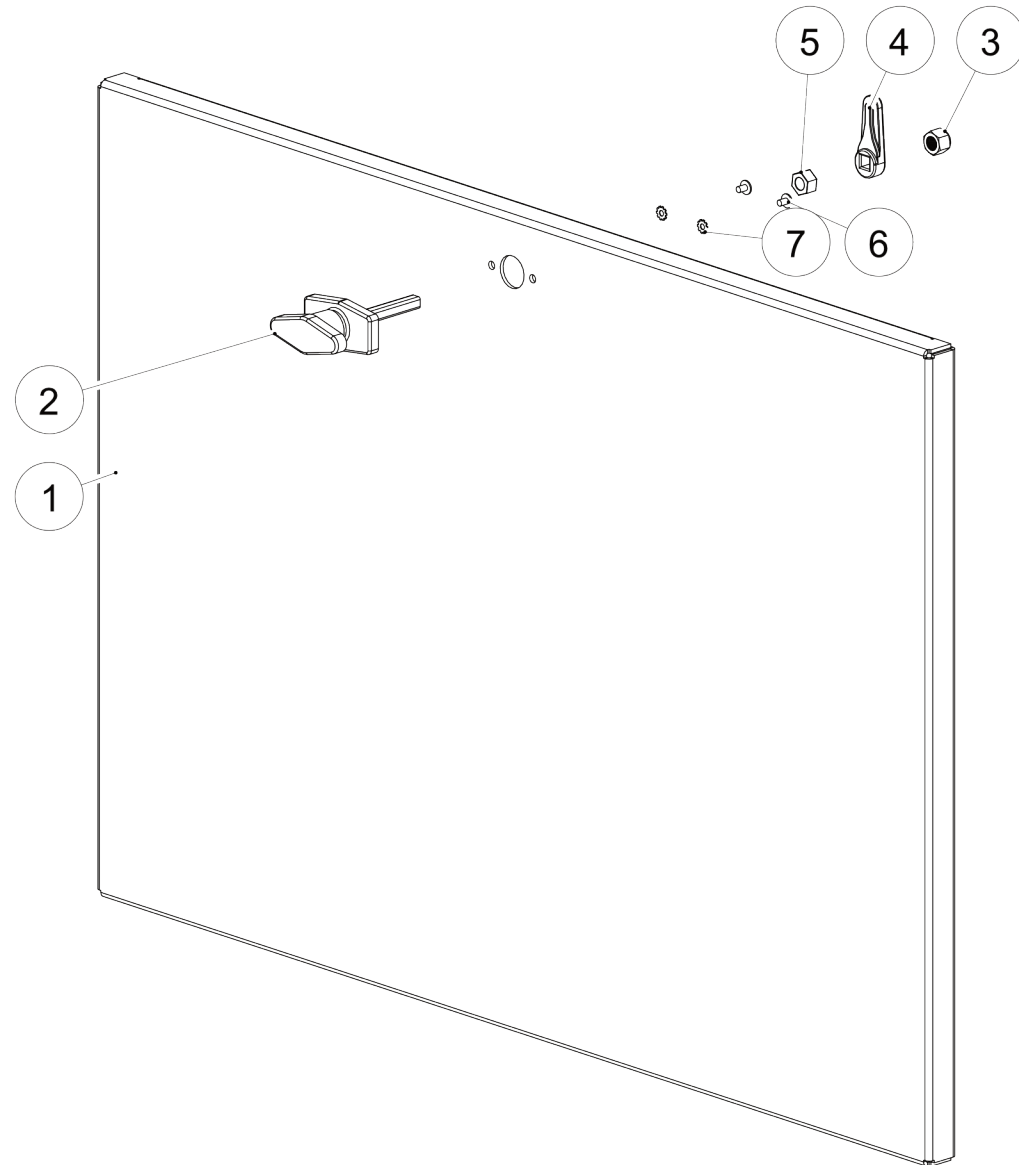
Enclosure Panels

Part No. 023-905851
Rev. 01 04-17-2023



**Central Mobile Enclosure
650 GTS Series
Front Lift Out Door**

S/N: 180001 -
S/N: Current
PAGE: 1.1.7



Front Lift Out Door

Part No. 023-905851
Rev. 01 04-17-2023



**Central Mobile Enclosure
650 GTS Series
Front Lift Out Door**

S/N: 180001 -
S/N: Current
PAGE: 1.1.8

Item No.	Part No.	Description	Qty.
	018-904869	ASSY DOOR LIFT OUT FRONT 650GTS ENC (Includes 1A-7)	1
	018-906041	ASSY DOOR LIFT OUT FRONT GRN 650GTS ENC (Includes 1B-7)	1
	018-905858	PKG HNDL T-LKG CHROME 2.5IN CH751 CW CAM & NUT (Includes 2-7)	1
1A	004-904868	PNL DOOR 30-1/2X21-7/8	1
1B	004-906047	PNL DOOR 30-1/2X21-7/8 GRN	1
2	017-904514	HNDL T-LKG CHROME 2.5IN THRD SHAFT CH751 KEY	1
3	001-903811	NUT LKG NYL 3/8 UNF 24THRD GR5 PLD	1
4	017-704694	LOCK CAM C15 ZINC	1
5	001-704695	NUT 3/8-24 UNF	1
6	001-900779	SCRW MACH 8-32X1/4 PANHEAD	2
7	001-900778	WSHR STAR #8 STUD EXT TOOTH	2
		The following components may not be shown	
	006-904755	KEY CH751 T-LKG HNDL CHROME 4IN	

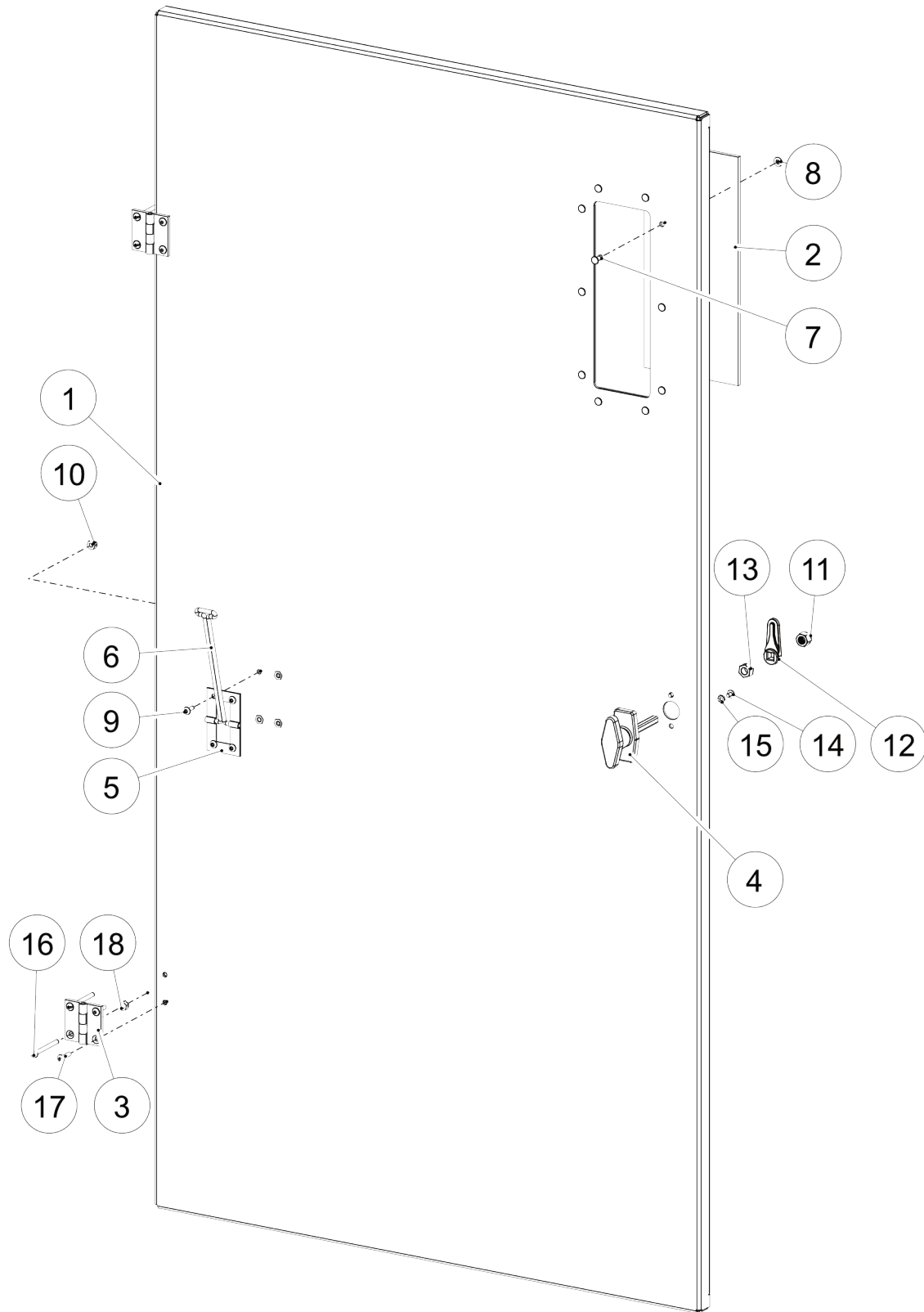
Front Lift Out Door

Part No. 023-905851
Rev. 01 04-17-2023



Central Mobile Enclosure
650 GTS Series
Pump Side Door

S/N: 180001 -
S/N: Current
PAGE: 1.1.9



Pump Side Door

Part No. 023-905851
Rev. 01 04-17-2023



Central Mobile Enclosure
650 GTS Series
Pump Side Door

S/N: 180001 -
S/N: Current
PAGE: 1.1.10

Item No.	Part No.	Description	Qty.
	018-904882	ASSY DOOR PUMP SIDE 650GTS (Includes 1A-18)	1
	018-906038	ASSY DOOR PUMP SIDE GRN 650GTS (Includes 1B-18)	1
	018-905858	PKG HNDL T-LKG CHROME 2.5IN CH751 CW CAM & NUT (Includes 4, 11-15)	1
1A	004-904879	PNL DOOR 57.625X29 CW WINDOW	1
1B	004-906044	PNL DOOR 57-5/8X29 CW WINDOW GRN	1
2	004-904415	WINDOW POLY CARB 5X11	1
3	017-900607	HINGE SURFACE-MT 316 SS POLISHED 2H X 2W	2
4	017-904514	HNDL T-LKG CHROME 2.5IN THRD SHAFT CH751 KEY	1
5	001-905262	HOLD-BACK 6IN T-HANDLE ZINC PLD BASE	1
6	001-905262	HOLD-BACK 6IN T-HANDLE ZINC PLD TEE	1
7	001-901250	RIVET 3/16D X 1/2GRP ALUM	8
8	001-703909	WSHR FLT #10 SS	8
9	001-704515	SCRW MACH 10-24X1/2 SS UNC BTN HD 1/8HEX DR	4
10	001-703910	NUT LKG #10-24 SS UNC	4
11	001-903811	NUT LKG NYL 3/8 UNF 24THRD GR5 PLD	1
12	017-704694	LOCK CAM C15 ZINC	1
13	001-704695	NUT 3/8-24 UNF	1
14	001-900779	SCRW MACH 8-32X1/4 PANHEAD	2
15	001-900778	WSHR STAR #8 STUD EXT TOOTH	2
16	001-906024	SCRW MACH 10-24X2L FLAT HD SS SQ DR	4
17	001-906025	SCRW MACH 10-24X3/4L FLAT HD SS SQ DR	4
18	001-703910	NUT LKG #10-24 SS UNC	8
		The following components may not be shown	
	006-904755	KEY CH751 T-LKG HNDL CHROME 4IN	
	009-703960	TAPE 3M VHB-5925 2-SIDED 1/2W	32 IN

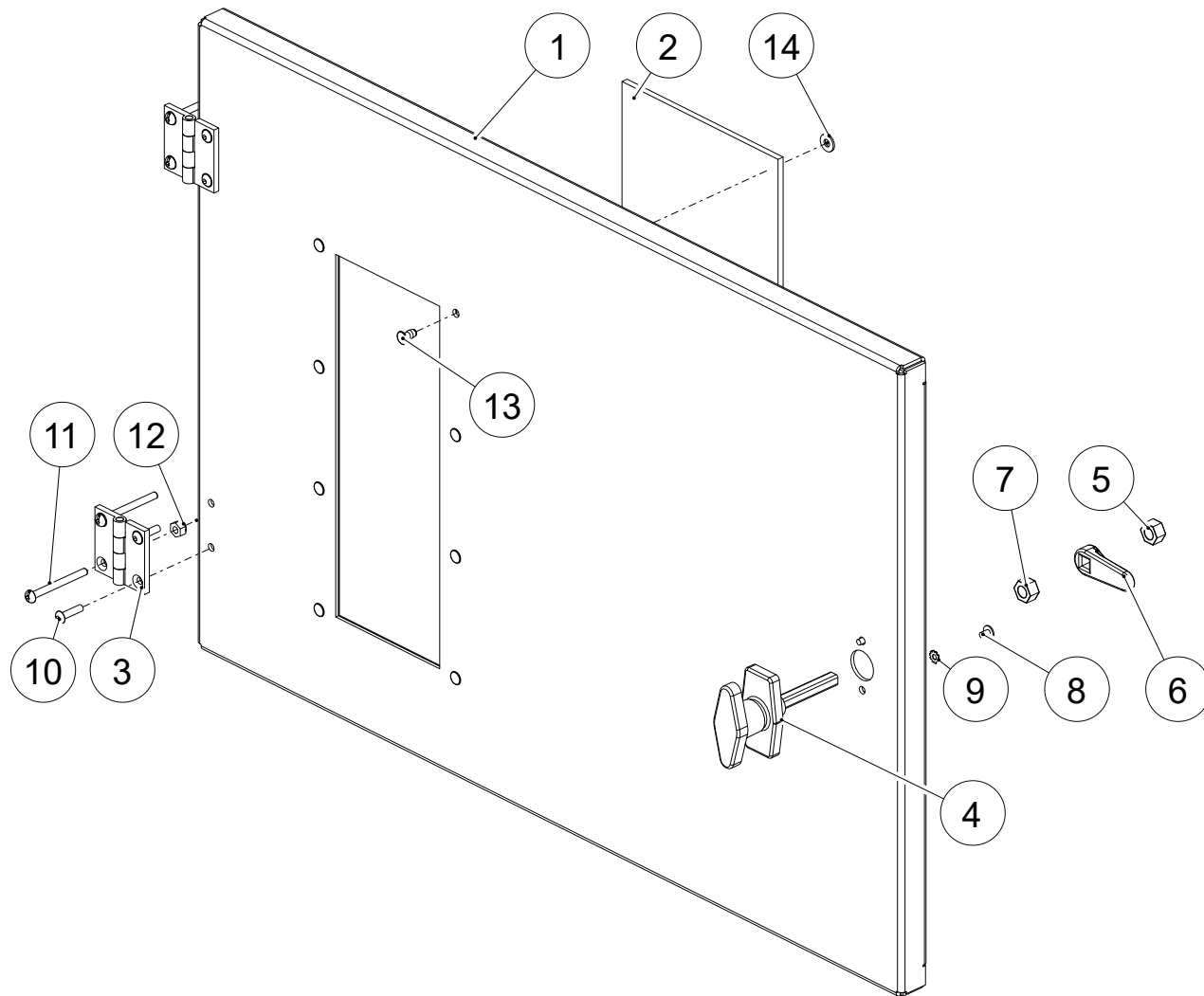
Pump Side Door

Part No. 023-905851
Rev. 01 04-17-2023



Central Mobile Enclosure
650 GTS Series
Short Door

S/N: 180001 -
S/N: Current
PAGE: 1.1.11



Short Door

Part No. 023-905851
Rev. 01 04-17-2023



Central Mobile Enclosure
650 GTS Series
Short Door

S/N: 180001 -
S/N: Current
PAGE: 1.1.12

Item No.	Part No.	Description	Qty.
	018-904874	ASSY DOOR SHORT 650GTS (Includes 1A-13)	1
	018-906039	ASSY DOOR SHORT GRN 650GTS (Includes 1B-13)	1
	018-905858	PKG HNDL T-LKG CHROME 2.5IN CH751 CW CAM & NUT (Includes 4-9)	1
1A	004-904873	PNL DOOR 27-1/8X19-1/8 CW WINDOW 650GTS	1
1B	004-906045	PNL DOOR 27-1/8X19-1/8 CW WINDOW GRN	1
2	004-900768	WINDOW-PNL POLYCARB 6X12X3/16	1
3	017-900607	HINGE SURFACE-MT 316 SS POLISHED 2H X 2W	2
4	017-904514	HNDL T-LKG CHROME 2.5IN THRD SHAFT CH751 KEY	1
5	001-704695	NUT 3/8-24 UNF	1
6	017-704694	LOCK CAM C15 ZINC	1
7	001-903811	NUT LKG NYL 3/8 UNF 24THRD GR5 PLD	1
8	001-900779	SCRW MACH 8-32X1/4 PANHEAD	2
9	001-900778	WSHR STAR #8 STUD EXT TOOTH	2
10	001-906025	SCRW MACH 10-24X3/4L FLAT HD SS SQ DR	4
11	001-906024	SCRW MACH 10-24X2L FLAT HD SS SQ DR	4
12	001-703910	NUT LKG #10-24 SS UNC	8
13	001-702149	RIVET 3/16D X 3/8GRP ALUM	8
14	001-701185	WSHR FLT #10 SAE PLD	8
The following components may not be shown			
	006-904755	KEY CH751 T-LKG HNDL CHROME 4IN	
	009-703960	TAPE 3M VHB-5925 2-SIDED 1/2W	36 IN

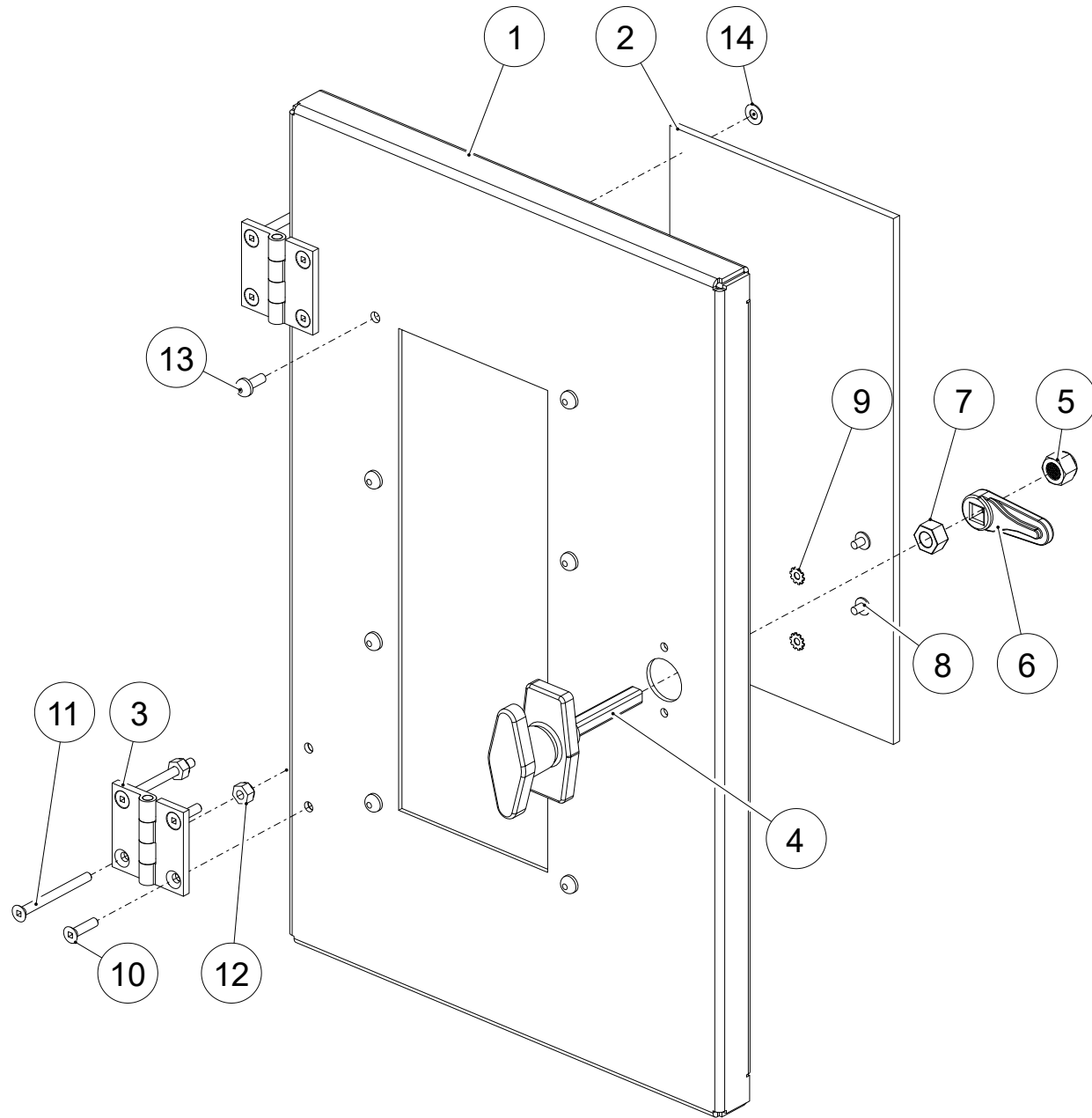
Short Door

Part No. 023-905851
Rev. 01 04-17-2023



**Central Mobile Enclosure
650 GTS Series
B138 Specific Short Door**

S/N: 180001 -
S/N: Current
PAGE: 1.2.11



B138 Specific Short Door

Part No. 023-905851
Rev. 01 04-17-2023



**Central Mobile Enclosure
650 GTS Series
B138 Specific Short Door**

S/N: 180001 -
S/N: Current
PAGE: 1.2.12

Item No.	Part No.	Description	Qty.
	018-906571	ASSY DOOR SHORT 650GTS RECESSED FUEL FILL (Includes 1-14)	1
	018-905858	PKG HNDL T-LKG CHROME 2.5IN CH751 CW CAM & NUT (Includes 4-9)	1
1	004-904873	PNL DOOR 27-1/8X19-1/8 CW WINDOW 650GTS	1
2	004-900768	WINDOW-PNL POLYCARB 6X12X3/16	1
3	017-900607	HINGE SURFACE-MT 316 SS POLISHED 2H X 2W	2
4	017-904514	HNDL T-LKG CHROME 2.5IN THRD SHAFT CH751 KEY	1
5	001-704695	NUT 3/8-24 UNF	1
6	017-704694	LOCK CAM C15 ZINC	1
7	001-903811	NUT LKG NYL 3/8 UNF 24THRD GR5 PLD	1
8	001-900779	SCRW MACH 8-32X1/4 PANHEAD	2
9	001-900778	WSHR STAR #8 STUD EXT TOOTH	2
10	001-906025	SCRW MACH 10-24X3/4L FLAT HD SS SQ DR	4
11	001-906024	SCRW MACH 10-24X2L FLAT HD SS SQ DR	4
12	001-703910	NUT LKG #10-24 SS UNC	8
13	001-702149	RIVET 3/16D X 3/8GRP ALUM	8
14	001-701185	WSHR FLT #10 SAE PLD	8
		The following components may not be shown	
	006-904755	KEY CH751 T-LKG HNDL CHROME 4IN	
	009-703960	TAPE 3M VHB-5925 2-SIDED 1/2W	36 IN

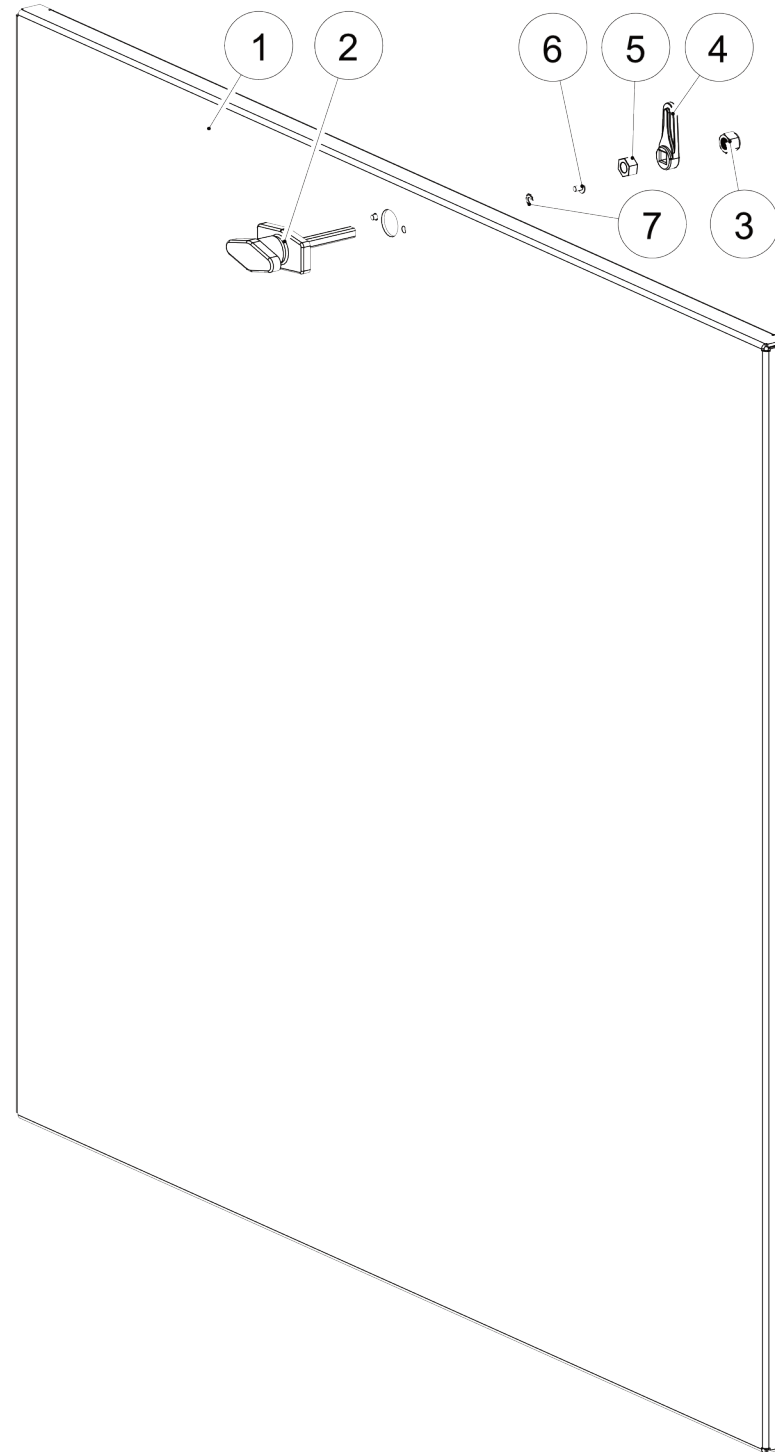
B138 Specific Short Door

Part No. 023-905851
Rev. 01 04-17-2023



**Central Mobile Enclosure
650 GTS Series
Lift Out Door**

S/N: 180001 -
S/N: Current
PAGE: 1.1.13



Lift Out Door

Part No. 023-905851
Rev. 01 04-17-2023



**Central Mobile Enclosure
650 GTS Series
Lift Out Door**

S/N: 180001 -
S/N: Current
PAGE: 1.1.14

Item No.	Part No.	Description	Qty.
	018-904878	ASSY DOOR LIFT OUT SIDE 650GTS (Includes 1-7)	2
	018-906037	ASSY DOOR LIFT OUT SIDE GRN 650GTS (Includes 1-7)	2
	018-905858	PKG HNDL T-LKG CHROME 2.5IN CH751 CW CAM & NUT (Includes 2-7))	1
1A	004-904877	PNL DOOR 36.5X39.75	1
1B	004-906043	PNL DOOR 36-1/2X39-3/4 GRN	1
2	017-904514	HNDL T-LKG CHROME 2.5IN THRD SHAFT CH751 KEY	1
3	001-903811	NUT LKG NYL 3/8 UNF 24THRD GR5 PLD	1
4	017-704694	LOCK CAM C15 ZINC	1
5	001-704695	NUT 3/8-24 UNF	1
6	001-900779	SCRW MACH 8-32X1/4 PANHEAD	2
7	001-900778	WSHR STAR #8 STUD EXT TOOTH	2
		The following components may not be shown	
	006-904755	KEY CH751 T-LKG HNDL CHROME 4IN	

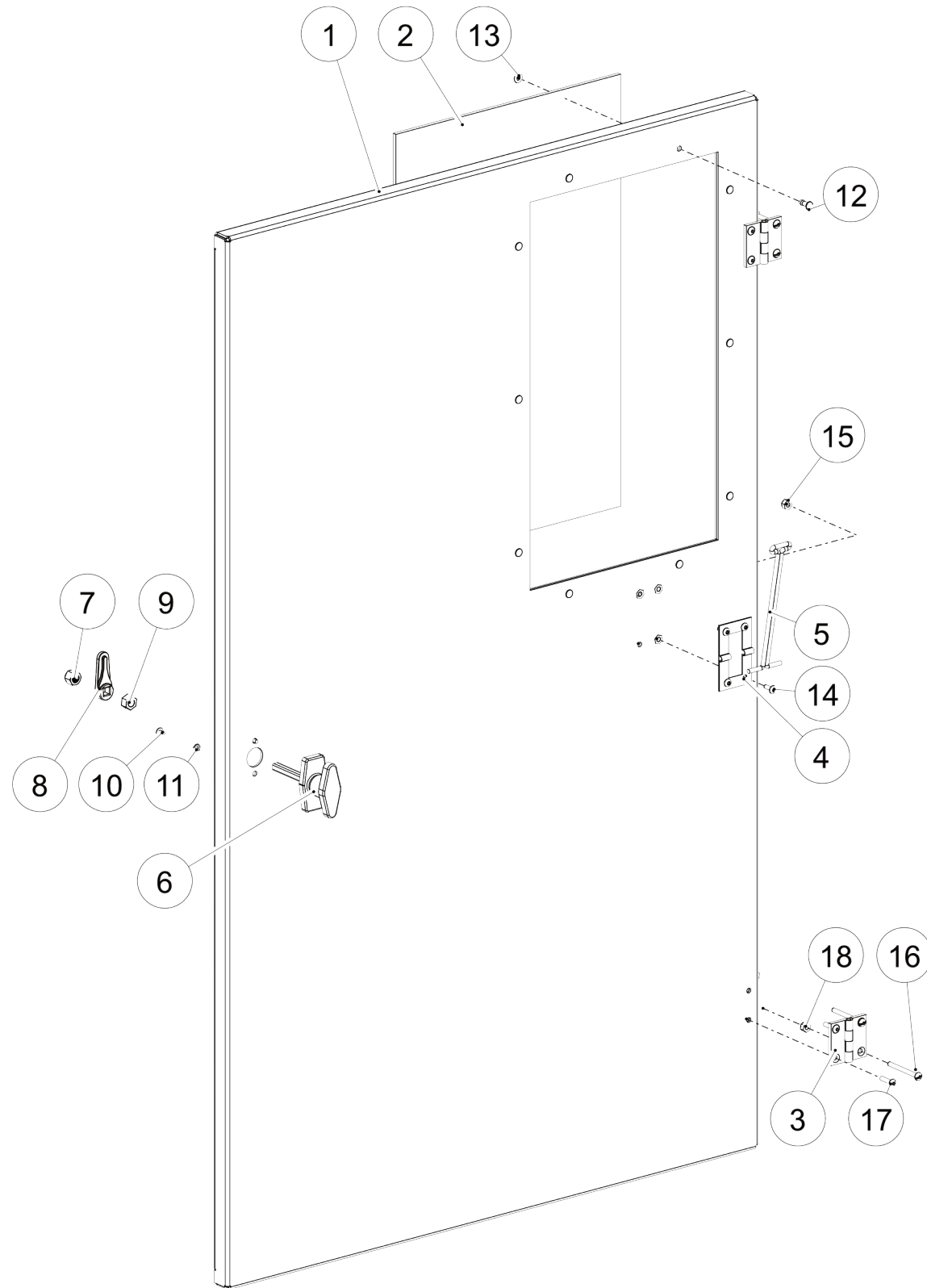
Lift Out Door

Part No. 023-905851
Rev. 01 04-17-2023



**Central Mobile Enclosure
650 GTS Series
Control Side Door**

S/N: 180001 -
S/N: Current
PAGE: 1.1.15



Control Side Door

Part No. 023-905851
Rev. 01 04-17-2023



**Central Mobile Enclosure
650 GTS Series
Control Side Door**

S/N: 180001 -
S/N: Current
PAGE: 1.1.16

Item No.	Part No.	Description	Qty.
	018-904872	ASSY DOOR CTRL SIDE 650GTS ENC (Includes 1A-18)	1
	018-906040	ASSY DOOR CTRL SIDE GRN 650GTS ENC (Includes 1B-18)	1
	018-905858	PKG HNDL T-LKG CHROME 2.5IN CH751 CW CAM & NUT (Includes 6-11)	1
1A	004-904870	PNL DOOR 48.125X29 CW 10.25X17 WINDOW	1
1B	004-906046	PNL DOOR 48-1/8X29 CW 10-1/4X17 WINDOW GRN	1
2	004-904871	WINDOW POLY CARB 19.75X12.25	1
3	017-900607	HINGE SURFACE-MT 316 SS POLISHED 2H X 2W	2
4	001-905262	HOLD-BACK 6IN T-HANDLE ZINC PLD BASE	1
5	001-905262	HOLD-BACK 6IN T-HANDLE ZINC PLD TEE	1
6	017-904514	HNDL T-LKG CHROME 2.5IN THRD SHAFT CH751 KEY	1
7	001-903811	NUT LKG NYL 3/8 UNF 24THRD GR5 PLD	1
8	017-704694	LOCK CAM C15 ZINC	1
9	001-704695	NUT 3/8-24 UNF	1
10	001-900779	SCRW MACH 8-32X1/4 PANHEAD	2
11	001-900778	WSHR STAR #8 STUD EXT TOOTH	2
12	001-901250	RIVET 3/16D X 1/2GRP ALUM	10
13	001-703909	WSHR FLT #10 SS	10
14	001-704515	SCRW MACH 10-24X1/2 SS UNC BTN HD 1/8HEX DR	4
15	001-703910	NUT LKG #10-24 SS UNC	4
16	001-906024	SCRW MACH 10-24X2L FLAT HD SS SQ DR	4
17	001-906025	SCRW MACH 10-24X3/4L FLAT HD SS SQ DR	4
18	001-703910	NUT LKG #10-24 SS UNC	8
		The following components may not be shown	
	006-904755	KEY CH751 T-LKG HNDL CHROME 4IN	
	009-703960	TAPE 3M VHB-5925 2-SIDED 1/2W	55 IN

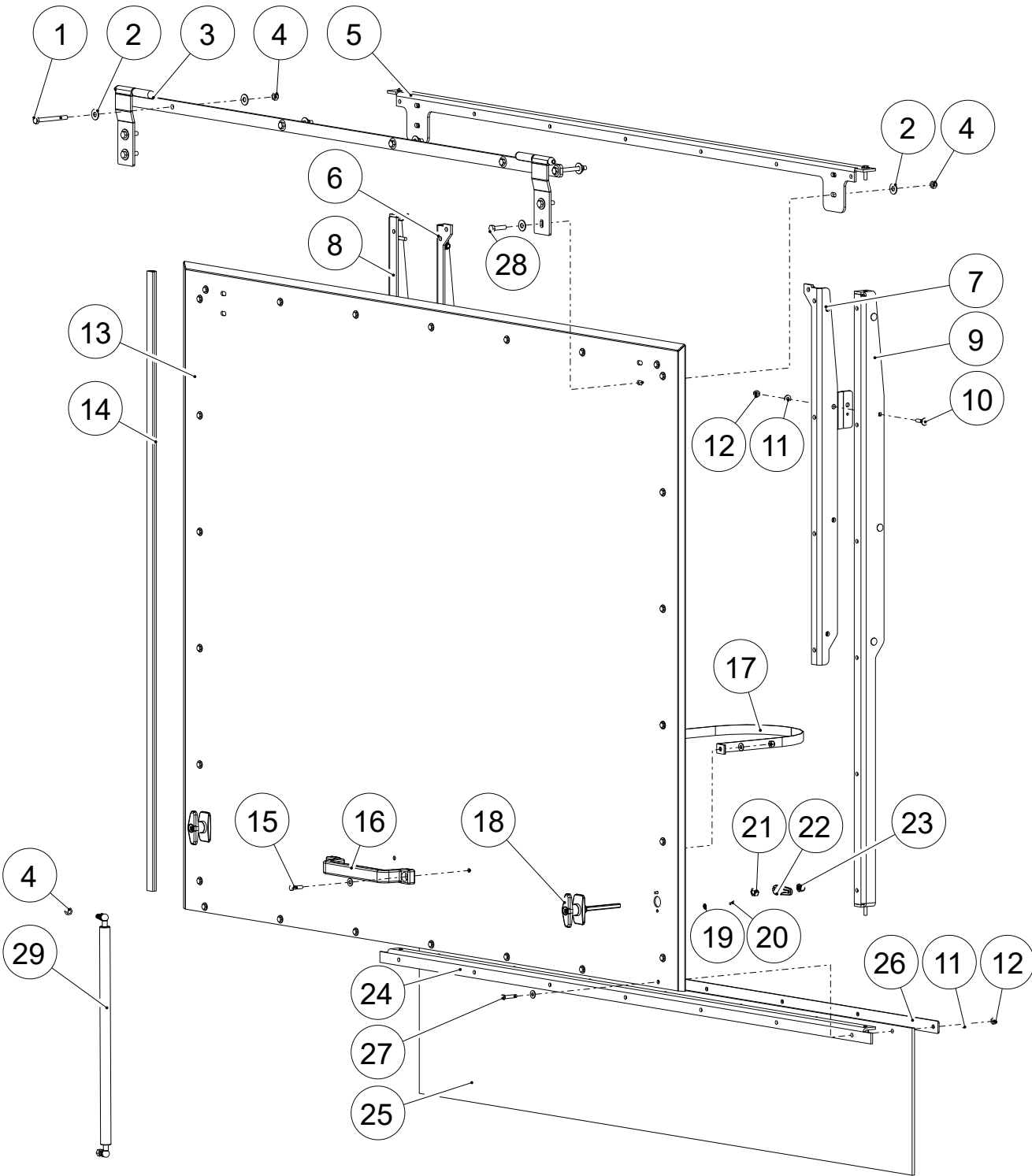
Control Side Door

Part No. 023-905851
Rev. 01 04-17-2023



**Central Mobile Enclosure
650 GTS Series
Hose Door**

S/N: 180001 -
S/N: Current
PAGE: 1.1.17



Hose Door

Part No. 023-905851
Rev. 01 04-17-2023



**Central Mobile Enclosure
650 GTS Series
Hose Door**

S/N: 180001 -
S/N: Current
PAGE: 1.1.18

Item No.	Part No.	Description	Qty.
	018-904884	ASSY HOSE DOOR 650GTS (Includes 5-12, 13A-27)	1
	018-906042	ASSY HOSE DOOR GRN 650GTS (Includes 5-12, 13B-27)	1
	018-905859	PKG HNDL T-LKG CHROME 4IN CH751 CW CAM & NUT (Includes 18-23)	1
1	001-700884	BOLT 5/16X3 PLD GR5	6
2	001-700742	WSHR FLT 5/16 PLD	20
3	004-904895	ASSY HOSE DOOR HINGE 650GTS	1
4	001-700741	NUT LKG NYL 5/16 UNC PLD	12
5A	004-904888	ANG HOSE DOOR TOP 650GTS	1
5B	004-906051	ANG HOSE DOOR TOP GRN 650GTS	1
6A	004-905186	ANG TAB LEFT 650GTS HOSE DOOR	1
6B	004-906054	ANG TAB LEFT 650GTS HOSE DOOR GRN	1
7A	004-905187	ANG TAB RGHT 650GTS HOSE DOOR	1
7B	004-906053	ANG TAB RGHT 650GTS HOSE DOOR GRN	1
8A	004-904887	ANG HOSE DOOR RGHT 650GTS	1
8B	004-906050	ANG HOSE DOOR RGHT GRN 650GTS	1
9A	004-904886	ANG HOSE DOOR LEFT 650GTS	1
9B	004-906049	ANG HOSE DOOR LEFT GRN 650GTS	1
10	001-905190	BOLT CRG 1/4X1 SS	8
11	001-703921	WSHR FLT 1/4 SS	72
12	001-703922	NUT LKG 1/4 UNC SS	40
13A	004-904885	PNL HOSE DOOR 650GTS	1
13B	004-906048	PNL HOSE DOOR GRN 650GTS	1
14	009-904892	WEATHER STRIP D 3/4WX9/16H	3
15	001-902421	BOLT 1/4X1 SS UNC	16
16	017-704065	HNDL 9-7/8 RUBBER COATED	1
17	004-905261	STRAP WEB 3/4IN PPLN BLK 31L CW HOLES	1
18	017-903808	HNDL T-LKG CHROME 4IN THRD SHAFT CH751 KEY	2
19	001-900778	WSHR STAR #8 STUD EXT TOOTH	4
20	001-905244	SCRW MACH 8-32X3/8 PANHEAD PLD SOC-SLT COMB	4
21	001-704695	NUT 3/8-24 UNF	2
22	017-704694	LOCK CAM C15 ZINC	2
23	001-903811	NUT LKG NYL 3/8 UNF 24THRD GR5 PLD	2
24A	004-904889	ANG HOSE DOOR BTM 650GTS	1
24B	004-906052	ANG HOSE DOOR BTM GRN 650GTS	1
25	004-904890	SHT NPRN 12X65-1/4L 1/4 THK	1
26	004-905188	BAR FLAT 1/8X1 61-1/4L CW HOLES	1
27	001-905189	BOLT 1/4X1-1/4 SS UNC	7
28	001-700959	BOLT 5/16X1-1/4 PLD GR5	4
29	017-904883	SPRING GAS SHOCK 35.43 INCH EXT.100LB	2
		The following components may not be shown	
	006-904755	KEY CH751 T-LKG HNDL CHROME 4IN	

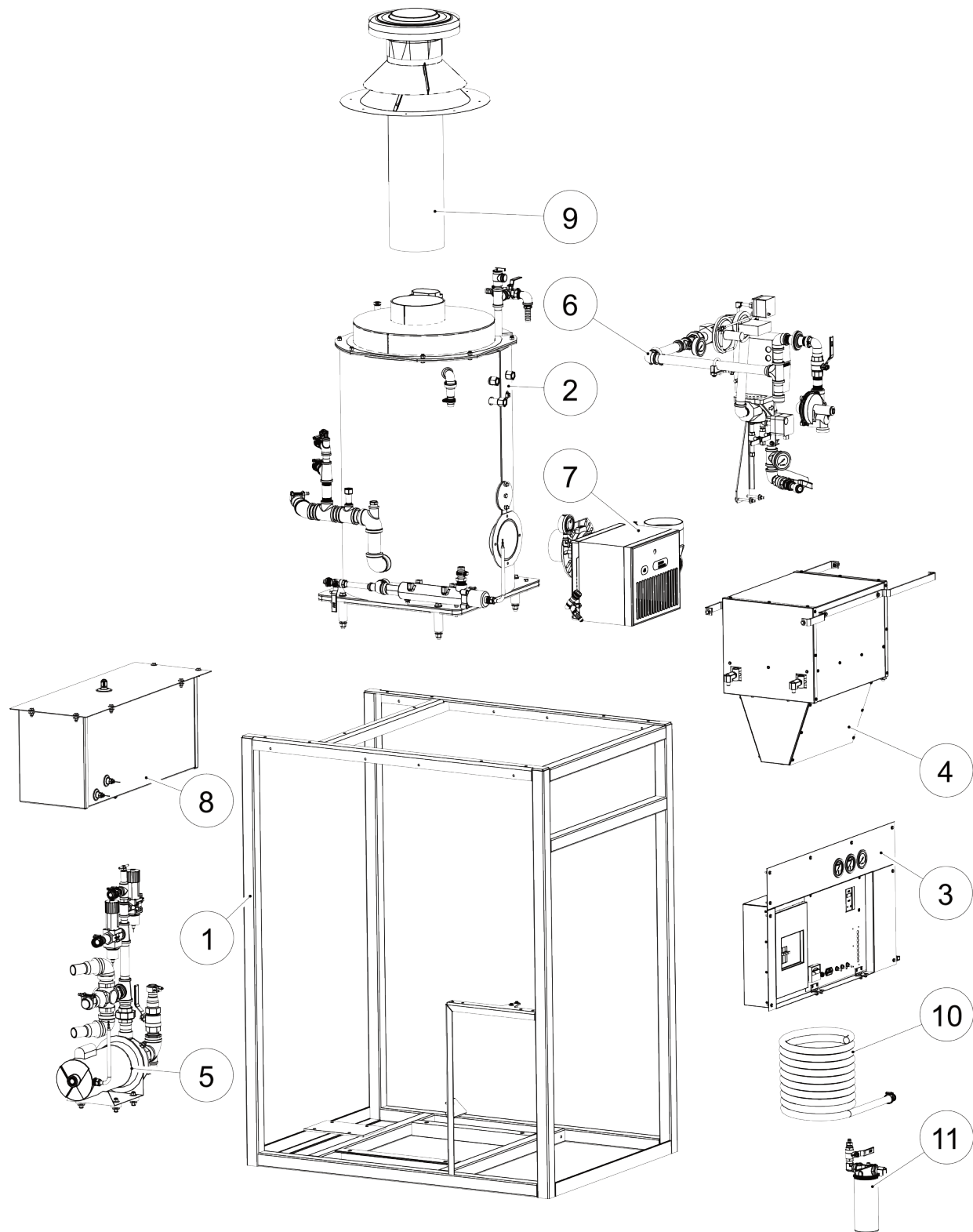
Hose Door

Part No. 023-905851
Rev. 01 04-17-2023



**Central Mobile Enclosure
650 GTS Series
Water Heater**

S/N: 180001 -
S/N: Current
PAGE: 2.1.1



Water Heater

Part No. 023-905851
Rev. 01 04-17-2023



**Central Mobile Enclosure
650 GTS Series
Water Heater**

S/N: 180001 -
S/N: Current
PAGE: 2.1.2

Item No.	Part No.	Description	Qty.
1	004-905021	FRAME WTR HTR 650GTS	1
2		HEAT EXCHANGER - see page 2.1.3	
3		CONTROL PANEL - see page 2.1.9	
4		AIR AND FUEL PREHEATER - see page 2.1.11	
5		PUMP - see page 2.1.13	
6		GAS TRAIN - see page 2.1.17	
7		BURNER - see page 2.1.21	
8		GLYCOL TANK - see page 2.1.25	
9		CHIMNEY - see page 2.1.27	
10		GLYCOL FILL - see page 2.1.29	
11		FUEL FILTER - see page 2.1.31	

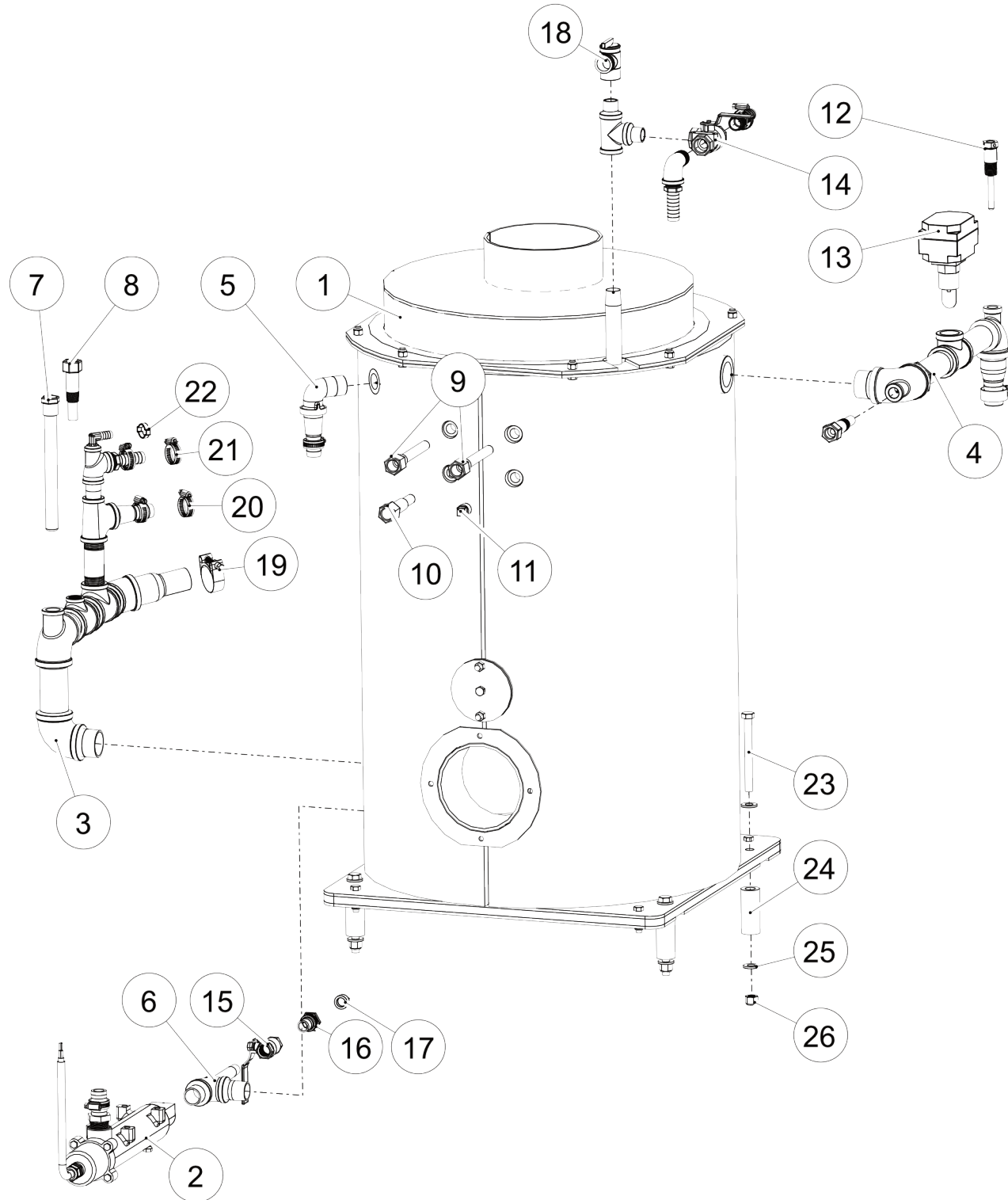
Water Heater

Part No. 023-905851
Rev. 01 04-17-2023



**Central Mobile Enclosure
650 GTS Series
Heat Exchanger**

S/N: 180001 -
S/N: Current
PAGE: 2.1.3



Heat Exchanger

Part No. 023-905851
Rev. 01 04-17-2023



**Central Mobile Enclosure
650 GTS Series
Heat Exchanger**

S/N: 180001 -
S/N: Current
PAGE: 2.1.4

Item No.	Part No.	Description	Qty.
	018-905028	PKG HEAT EXCH 650GTS (Includes 1-18)	1
1		HEAT EXCHANGER - see page 2.1.5	
2		GLYCOL PREHEATER - see page 2.1.7	
3	018-904990	PKG PLMB RET INTO HE 650GTS	1
4	018-904999	PKG PLMB HE OUTLET 650GTS	1
5	018-702542	PKG PLMB CRCLT HTR OUTLET MOD 2100	1
6	018-904991	PKG PLMB CIRC HTR 650GTS	1
7	005-700204	WELL F/AVTA/B 3/4 BRS BULB	1
8	005-900590	WELL THERM BRS 4 IN .385BORE 1/2MPT 1-5/8INSER	2
9	005-702593	WELL THERM BRS 6-1/4IN .385 BORE 1/2IN NPT	2
10	005-702592	WELL THERM BRS 4-3/8IN .385 BORE 1/2IN NPT	1
11	011-702702	PLUG BRS 1/2 NPT SQ HD	1
12	005-704272	WELL THERM BULB ASSY 1/2IN NPT	1
13	005-904258	SWITCH FLOW F261KAH-V01C 1NPT	1
14	011-704483	VLV 3/4NPT 3-WAY BRS	1
15	011-700115	VLV BALL 1/2 400WOG STD BRS CGA NPTF	1
16	011-700404	CPLR FEM GARD THD 1/2XSWVL NPTM	1
17	011-704470	PLUG GARDEN HOSE MALE BRS	1
18	011-702627	VLV SAFETY PRESS RLF 30PSI 3/4FPT	1
19	001-704678	CLP HOSE HEAVY DUTY 1.69-1.85 RNG (43-47mm)	2
20	001-700275	CLP HOSE HAS16 SLTD HEX HD SS	2
21	001-701890	CLP HOSE 1-1/4 SIZE 12	3
22	001-702552	CLP 2-EAR #22SS - 1/2ID HOSE	1
23	001-901105	BOLT 1/2X5 GR8 UNC PLD	4
24	004-904256	DOM 1-1/4ODX11/16ID 3L PNTD BLK	4
25	001-700100	WSHR FLT 1/2 PLT PLD	8
26	001-701606	NUT LKG NYL 1/2 UNC PLD	4
		The following components may not be shown	
	001-700450	SLEEVE OVAL 1/16 AL CABLE	2
	001-700451	CABLE ACFT 7X7 1/16 GALV	2 FT

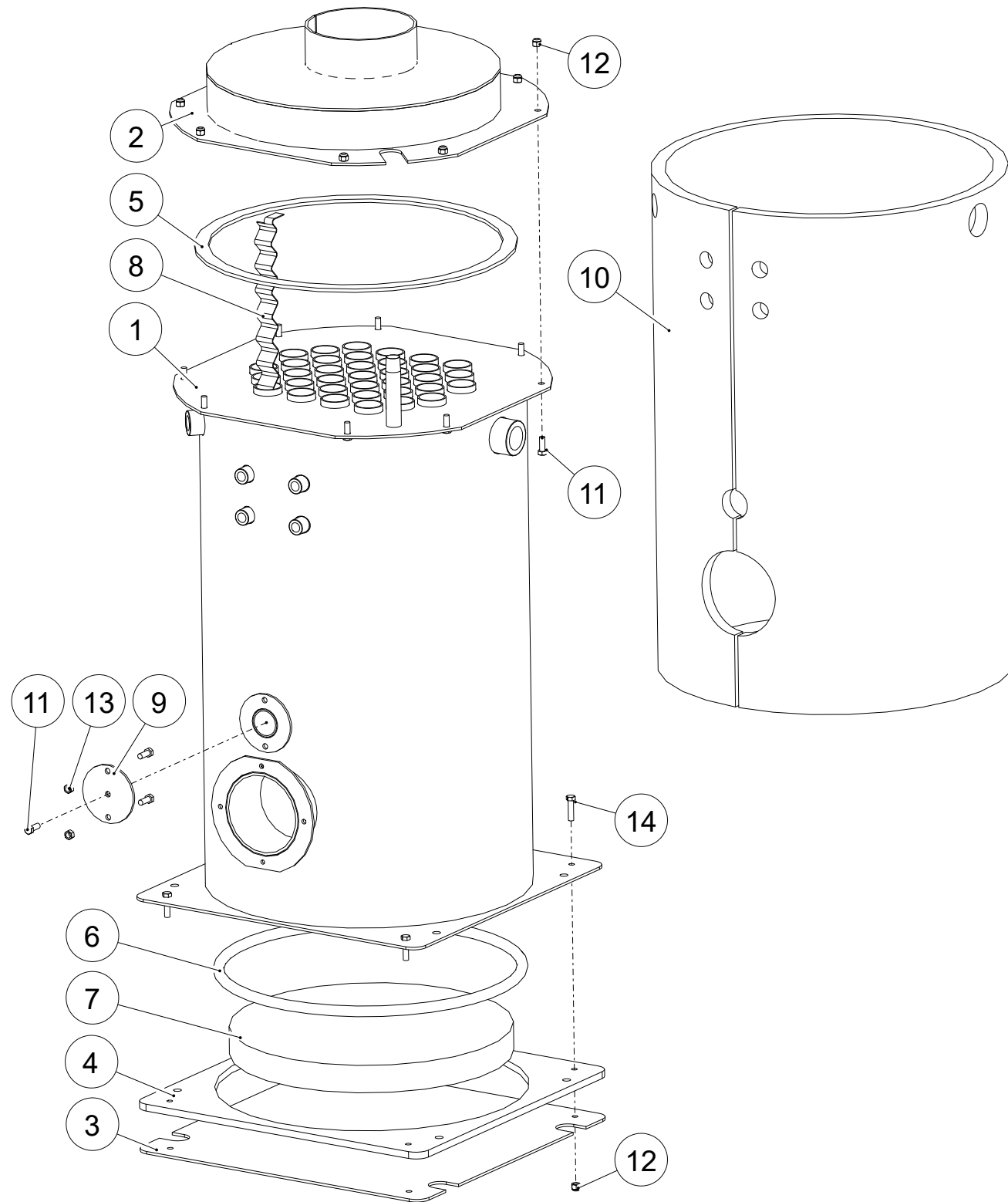
Heat Exchanger

Part No. 023-905851
Rev. 01 04-17-2023



**Central Mobile Enclosure
650 GTS Series
Heat Exchanger**

S/N: 180001 -
S/N: Current
PAGE: 2.1.5



Heat Exchanger

Part No. 023-905851
Rev. 01 04-17-2023



**Central Mobile Enclosure
650 GTS Series
Heat Exchanger**

S/N: 180001 -
S/N: Current
PAGE: 2.1.6

Item No.	Part No.	Description	Qty.
	004-905001	HEAT EXCHANGER FUEL-TO-GLY 650GTS (Includes 1-13)	1
1	004-900923	HEAT EXCHANGER 400-600	1
2	004-905000	COV TOP 650GTS HEAT EXCHANGER	1
3	004-704339	PC 3/16 A36 COV BOTTOM HEAT EXCHANGER	1
4	004-704338	PC 1/2 A36 SPCR BOTTOM HEAT EXCHANGER	1
5	021-704342 015-903693	GSKT HEAT RESIST 1/4x1 CLKG STV/GSKT CEMENT (2000 DEG F) (Recommended with above)	6FT
6	021-704343 015-903693	GSKT HEAT RESIST 3/4IN DIA CLKG STV/GSKT CEMENT (2000 DEG F) (Recommended with above)	6FT
7	021-704341	INSUL HEAT RESIST 19-7/8IN OD 2IN THK	1
8	004-905094	BAFFLE 16GA A569 2100 LONG HEAT EXCHANGER	35
9	004-704337 010-702802	ASSY INSP COV HEAT EXCHANGER GSKT DURLON 4-1/4INB DIA (Recommended with above)	1
10	004-905273	INSUL HEAT EXCHANGER WRAP 2100-0400	1
11	001-700804	BOLT 3/8X1 PLD GR5	7
12	001-700721	NUT LKG NYL 3/8 UNC PLD	12
13	001-700890	NUT 3/8 PLD	2
14	001-700720	BOLT 3/8X1-1/2 PLD GR5	4
		The following components may not be shown	
	001-702508	TAPE FSK 3IN X 150FT	8 IN

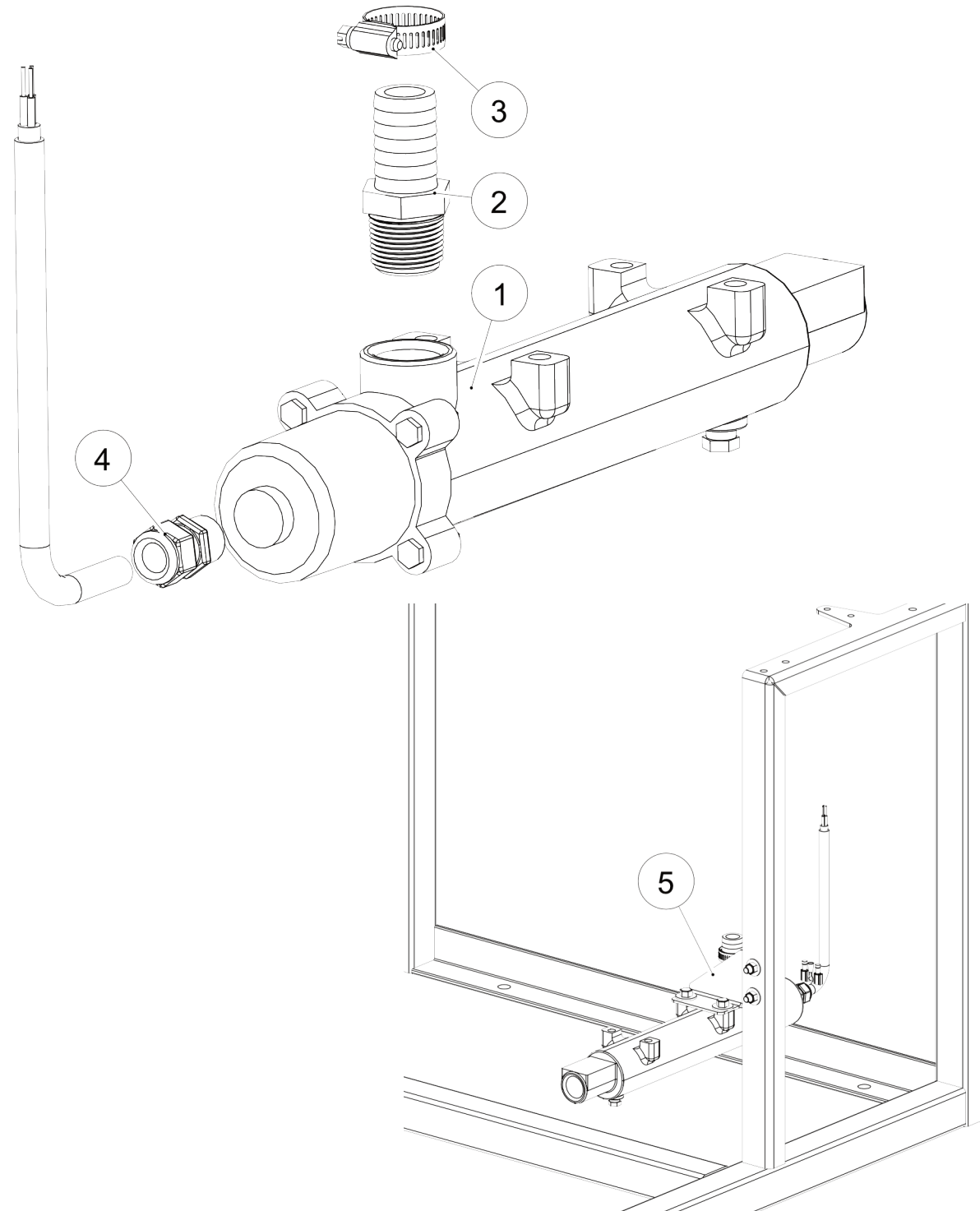
Heat Exchanger

Part No. 023-905851
Rev. 01 04-17-2023



Central Mobile Enclosure
650 GTS Series
Glycol Preheater

S/N: 180001 -
S/N: Current
PAGE: 2.1.7



Glycol Preheater

Part No. 023-905851
Rev. 01 04-17-2023



Central Mobile Enclosure
650 GTS Series
Glycol Preheater

S/N: 180001 -
S/N: Current
PAGE: 2.1.8

Item No.	Part No.	Description	Qty.
1	012-702513	HEATER CRCLT 4000W 240V	1
2	011-702153	NIPL COMB 1*1 BRS ADPTR	1
3	001-700275	CLP HOSE HAS16 SLTD HEX HD SS	1
4	002-704262	CONN STRN/RLF 1/2 .24-.47 CE/CSA	1
5	004-904918	BRKT GLY PRHTR SPRT 650GTS	1
		The following components may not be shown	
	006-702894	ELEMENT CRCLT HTR 4000W 240V	1

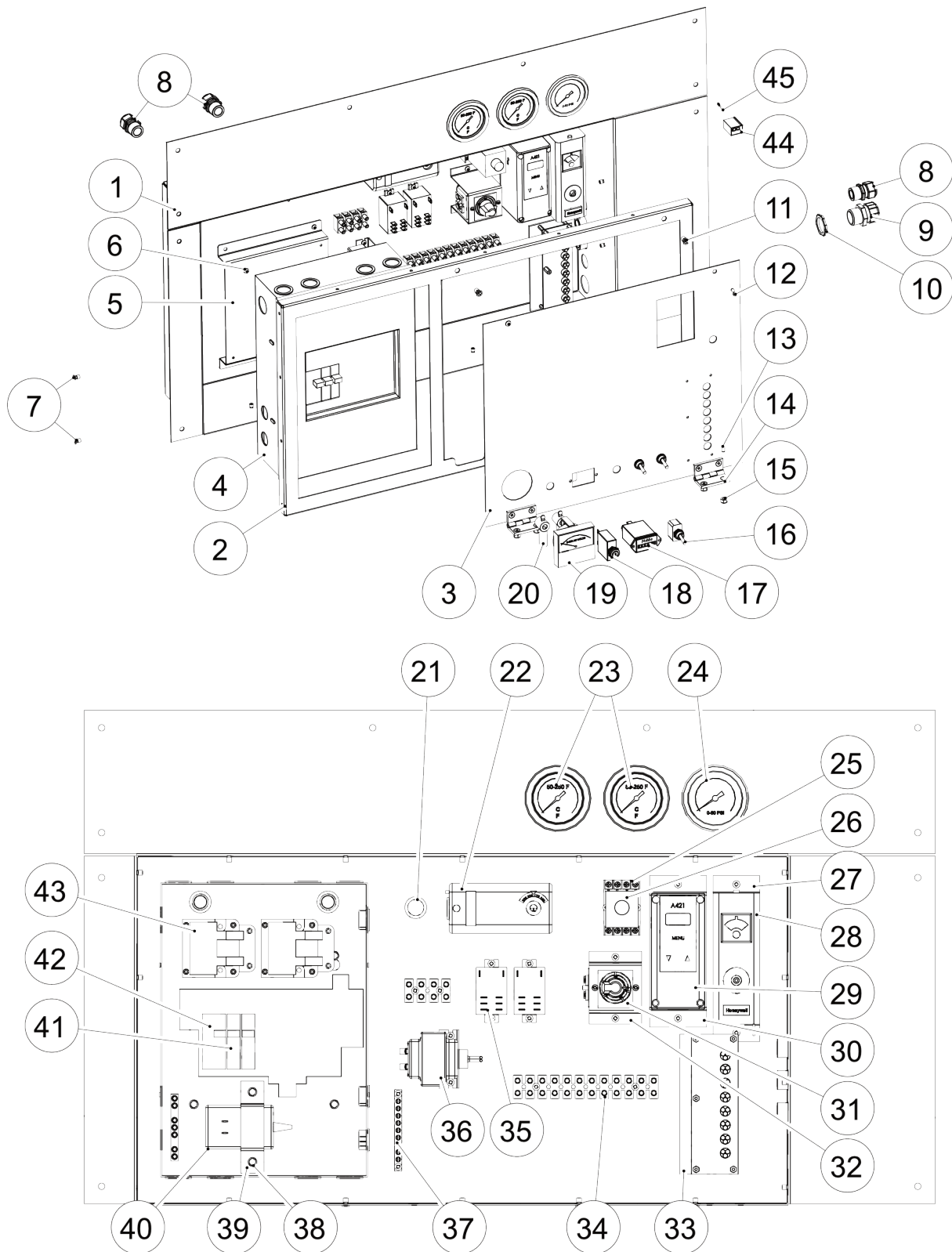
Glycol Preheater

Part No. 023-905851
Rev. 01 04-17-2023



**Central Mobile Enclosure
650 GTS Series
Control Panel**

S/N: 180001 -
S/N: Current
PAGE: 2.1.9



Control Panel

Part No. 023-905851
Rev. 01 04-17-2023



**Central Mobile Enclosure
650 GTS Series
Control Panel**

S/N: 180001 -
S/N: Current
PAGE: 2.1.10

Item No.	Part No.	Description	Qty.
1	004-904977	BOX ELEC ENC 650GTS	1
2	004-904976	PNL WINDOW ELEC ENC 650GTS	1
3	004-904975	PNL CVR CTRL PNL 650GTS	1
4	002-800029	BOX PNL Q06121L100TS SQ-D	1
5	004-904974	BRKT RISER PNL BOX 1IN	1
6	001-702775	SCRW SH MET #8X1/2 PAN HD	26
7	001-901203	RIVET 5/32 GRP .126 -.250 SS	18
8	002-704262	CONN STRN/RLF 1/2 .24-.47 CE/CSA	6
9	002-700046	CONNECTOR STRN/RLF 3/4 .625-.750 CABLE RNG	1
10	002-701133	LOCKNUT 3/4 STL CONDUIT	1
11	001-703564	INSERT THD 10-24 HEX BODY	2
12	001-704515	SCRW MACH 10-24X1/2 SS UNC BTN HD 1/8HEX DR	2
13	001-904283	SCRW MACH 10-24X1/2L FLAT HD ZNC SQ DR	8
14	017-900607	HINGE SURFACE-MT 316 SS POLISHED 2H X 2W	2
15	001-700805	NUT LKG 10-24 PLD	8
16	002-703616	SWITCH TGL SPST 20A 125V 1/4 SPADE TERM	3
17	002-703051	METER HOUR 120VAC RECT 2-SCRW	1
18	002-903711	BRKR CIR 2A SP PUSH TO RESET	1
19	005-702512 006-703482	GAUGE VOLT PNL 0-300V (Includes resistor) RESISTOR RCD K3-261 10W 27 KJ	1
20	002-905284	INSULATOR TERM EYELET	3
21	002-701115	BSHG KO 1/2	9
22	005-703464	CONT TEMP JOHNSON (25-225F) SPDT	1
23	005-701073	GAUGE TEMP 60IN CPLRY 40-240DEG F WIKA	2
24	005-703489	GAUGE PRESS 0-60PSI PNL 2-1/2IN WIKA	1
25	005-900674	SOCKET 8 PIN DIN/SURFACE MNT SCREW TERM	1
26	005-900673	TIMER ELEC 8 PIN ADJ RCYCL IDEC RTE-P1AF20	1
27	004-904973	BRKT RISER HI LIMIT 1-15/16 INCH	1
28	006-702140	CNTRL HI LIMIT MAN RESET	1
29	005-903333	CONT TEMP A421ABC-04C -40 TO 212F	1
30	004-904280	BRKT RISER A421 CNTRL 200GTS	1
31A	006-701532	HI-LIMIT G1-11452 (1223)	1
31B	006-904930	KNOB HI LIMIT PLASTIC 1-1/4 HEAD 8-32 SET SCREW	1
32	004-904281	BRKT HI-LIMIT (RANCO)	1
33	005-702514	BOARD LED 6GRN-110V 2RED-24V	1
34	002-903908	TERM STRIP 12POLE .531IN SEP 50A	2
35	002-900394	RELAY 24V DPDT 7500VAC NO 2500VAC NC	2
36	006-701213	XFMR 40VA 120V 60HZ 24V CLASS 2	1
37	002-900417	BAR GND 9-TERM W-NUTS	1
38	001-700629	SCRW D/T 10-16X3/4 5/16HEX HD PLD	2
39	004-904282	STRAP XFMR 2A 200GTS	1
40	002-903025	XFMR 120VAC/12VDC 2000MA	1
41	002-800040	BRKR PLUG-ON 15A SP	2
42	002-800066	BRKR PLUG-ON 15A 2P	1
43	002-800038	RELAY 120V DPDT 30A/240V	2
44	002-904980	CONN RECEPTACLE 6-PIN 0.084 MOLEX	1
45	002-704008	CONN PIN FEMALE 14-20 AWG TIN	5
		The following components may not be shown	
	005-906611	SNRSR TEMP JOHNSON A99BB-200C 6-1/2FT LENGHT	1

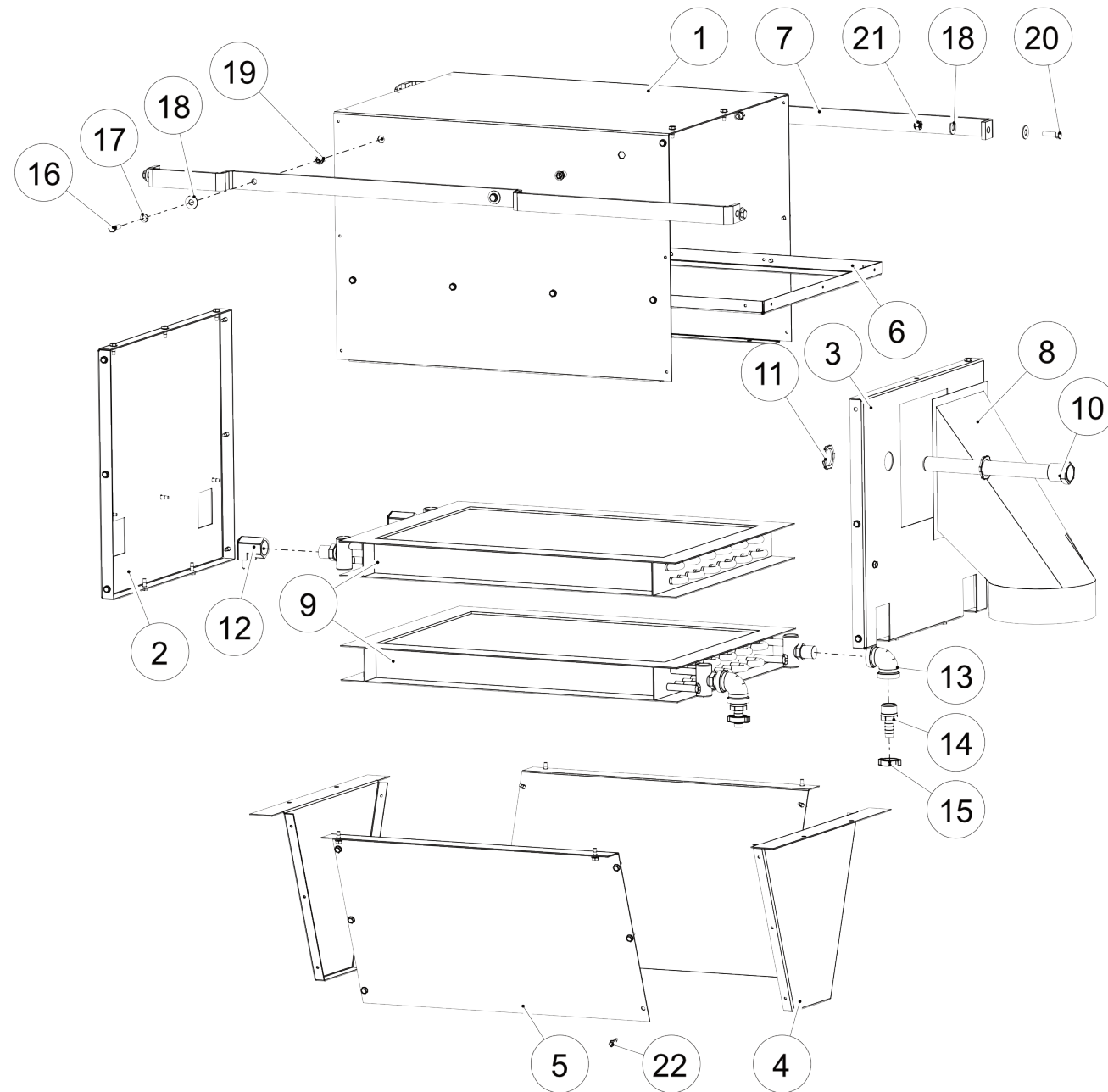
Control Panel

Part No. 023-905851
Rev. 01 04-17-2023



**Central Mobile Enclosure
650 GTS Series
Air and Fuel Preheater**

S/N: 180001 -
S/N: Current
PAGE: 2.1.11



Air and Fuel Preheater

Part No. 023-905851
Rev. 01 04-17-2023



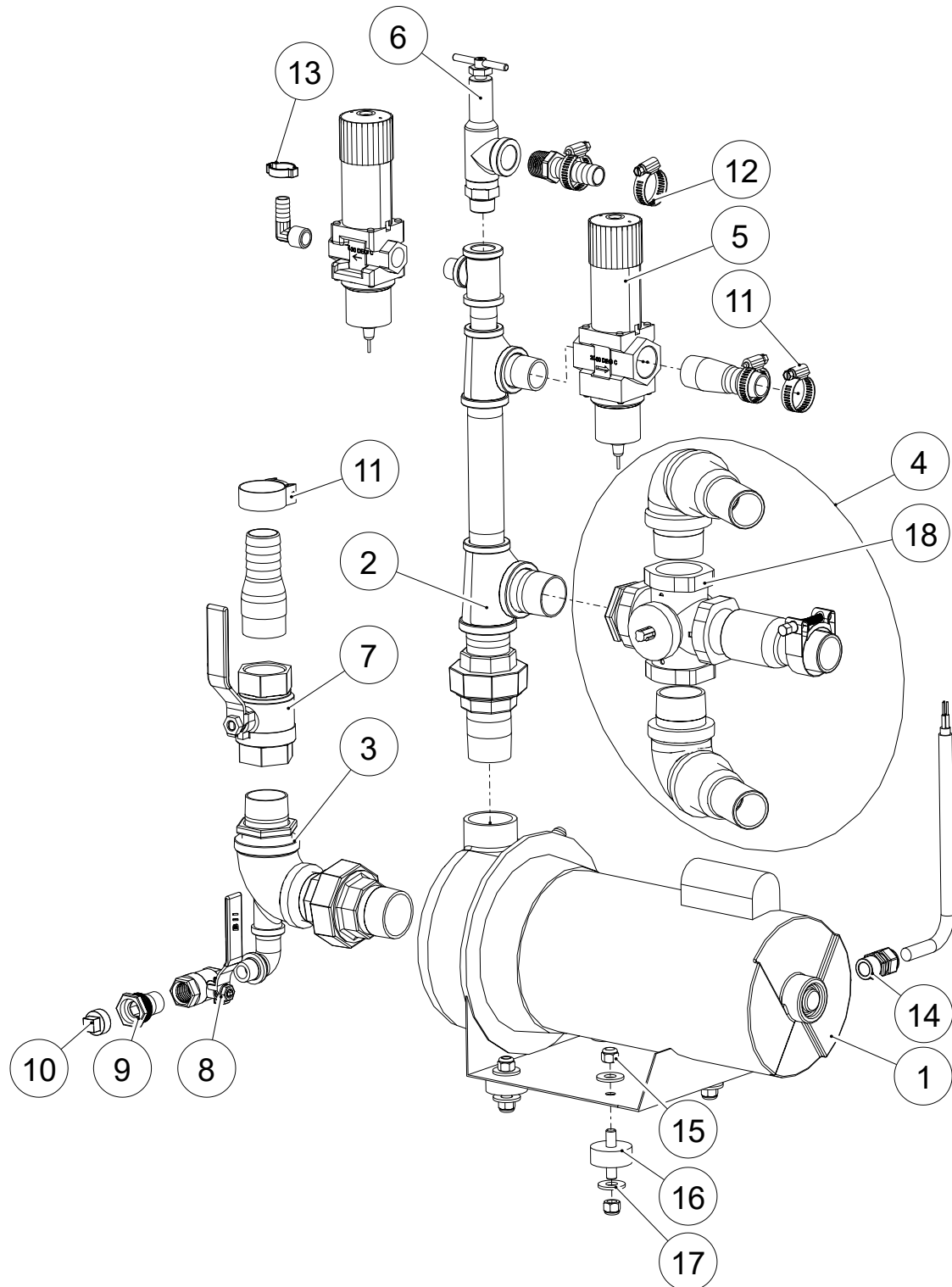
**Central Mobile Enclosure
650 GTS Series
Air and Fuel Preheater**

S/N: 180001 -
S/N: Current
PAGE: 2.1.12

Item No.	Part No.	Description	Qty.
1	004-904968	BODY AIR-FUEL PRE-HTR 650GTS	1
2	004-904970	PNL DUCT END AIR-FUEL PRE-HTR 650GTS	1
3	004-904969	PNL END AIR-FUEL PRE-HTR 650GTS	1
4	004-904971	PNL END LWR AIR-FUEL PRE-HTR 650GTS	2
5	004-904967	PNL DUCT LWR AIR-FUEL PRE-HTR 650GTS	2
6	004-904271	PNL WINDOW AIR-FUEL PRE-HTR 200GTS	1
7	004-904972	SPRT AIR-FUEL PRE-HTR 650GTS	2
8	004-702520	DUCT TOP TAKE OFF 6 IN	1
9	012-702504	COIL AIR PREHEAT 12X18X2 ROW-8 FPI 1/2IN MPT	2
10	005-700204	WELL F/AVTA/B 3/4 BRS BULB	1
11	002-701133	LOCKNUT 3/4 STL CONDUIT	2
12	011-901442	ELB #6JICX1/2NPTF	2
13	011-702608	ELB 1/2X90DEG BRS NPTF	2
14	011-702565	NIPL COMB 1/2NPTX1/2HB BRS	2
15	001-702552	CLP 2-EAR #22SS - 1/2ID HOSE	2
16	001-701482	BOLT 1/4X3/4 PLD GR5	4
17	001-700934	WSHR LOCK 1/4 PLD	4
18	001-700129	WSHR FLT 1/4 PLD	12
19	001-703896	INSERT THD 1/4 UNC HEX BODY	4
20	001-703316	BOLT 1/4X7/8 PLD GR5	4
21	001-700042	NUT LKG NYL 1/4 UNC PLD	4
22	001-700630	SCRW D/T 10-16X1/2 5/16HEX HD PLD	43

Air and Fuel Preheater

Part No. 023-905851
Rev. 01 04-17-2023



Pump

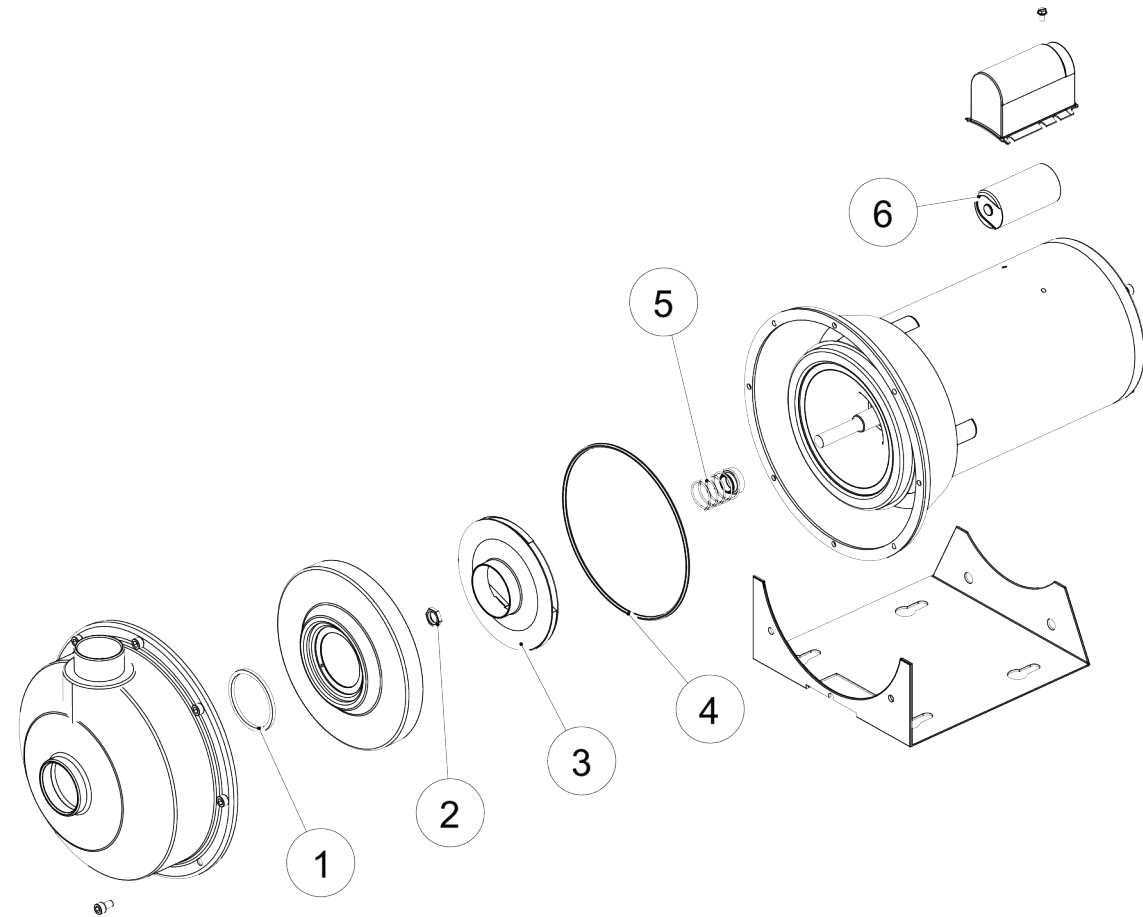
Item No.	Part No.	Description	Qty.
1	012-800055	PUMP - see page 2.1.15	
2	018-904993	PKG PLMB PUMP OUTLET 650GTS	1
3	018-904994	PKG PLMB PUMP INLET 650GTS	1
4	018-904997	PKG PLUMB 4-WAY VLV 650GTS (Includes 18)	1
5	005-700120	VLV MOD DANFOSS AVTB 25 1 TEMP REG	2
6	005-700121	VLV BYPASS PRESS RLF 3/4 BRS	1
7	011-700178	VLV BALL 1-1/4 400WOG FL PT BRS CGA NPTF	1
8	011-700115	VLV BALL 1/2 400WOG STD BRS CGA NPTF	1
9	011-700404	CPLR FEM GARD THD 1/2XSWVL NPTM	1
10	011-704470	PLUG GARDEN HOSE MALE BRS	1
11	001-700275	CLP HOSE HAS16 SLTD HEX HD SS	2
12	001-701890	CLP HOSE 1-1/4 SIZE 12	2
13	001-702552	CLP 2-EAR #22SS - 1/2ID HOSE	1
14	002-704262	CONN STRN/RLF 1/2 .24-.47 CE/CSA	1
15	001-700721	NUT LKG NYL 3/8 UNC PLD	8
16	001-902055	MOUNT VIB NEOPRENE 3-8X5-8 THREAD 1 9-16 IN DIA	4
17	001-700719	WSHR FLT 3/8 PLD	8
18	011-704427	VLV 1-1/2 4-WAY MIXING	1
		The following components may not be shown	
	005-704062	ACTUATOR MOTOR ESBE MODEL ARA 600	1

Pump



**Central Mobile Enclosure
650 GTS Series
Pump**

S/N: 180001 -
S/N: Current
PAGE: 2.1.15



Pump

Part No. 023-905851
Rev. 01 04-17-2023



**Central Mobile Enclosure
650 GTS Series
Pump**

S/N: 180001 -
S/N: Current
PAGE: 2.1.16

Item No.	Description	Part No.					
		012-800052 3/4 HP	012-800053 1 HP	012-905311 2 HP	012-800055 2 HP	012-702751 3 HP	
1	SEAL RING GUIDEVANE G & L PUMP	006-703027	006-703008				
2	LOCKNUT IMPELLER G & L PUMP	006-703026					
3	IMPELLER G & L PUMP	006-703028	006-703029	006-703007	006-703030	006-703031	
4	O-RING CASING G & L PUMP	006-703006					
5	SEAL MECH G & L PUMP	006-703005					
6A	CAPACITOR PUMP GOULDS	006-701171	006-702799	006-701171		006-703468	
6B	CAPACITOR RUN PUMP GOULDS CAPACITOR RATING: 60µF 370V						006-906552
6C	CAPACITOR RUN PUMP GOULDS W/ NIDEC MOTOR CAPACITOR RATING: 40µF 370V						006-906922
6D	CAPACITOR START PUMP GOULDS W/ NIDEC MOTOR CAPACITOR RATING: 233-280µF 165V						006-906923
6E	CAPACITOR PUMP GOULDS W/ NIDEC MOTOR CAPACITOR RATING: 189-227µF 110V	006-906943					

REFER TO PUMP MOTOR NAME PLATE EXAMPLES PRIOR TO ORDERING CAPACITORS

**NIDEC MOTOR NAME
PLATE EXAMPLE**

60 HZ DATA

3	HP	3
3450	RPM	2850
208-230	VOLTS	220-230
14.0-13.0	F.L.A.	14.0-13.0
1.15	S.F.A.	1.0
10.0-14.0	S.F.A.	N/A

50 HZ DATA

3	HP	3
3450	RPM	2850
208-230	VOLTS	220-230
14.0-13.0	F.L.A.	14.0-13.0
1.15	S.F.A.	1.0
10.0-14.0	S.F.A.	N/A

CONNECTIONS

WARNING MOTOR MUST BE GROUNDED IN ACCORDANCE WITH LOCAL AND NATIONAL ELECTRIC CODES. COMPONENT COVER MUST BE IN PLACE BEFORE OPERATING TO PREVENT ELECTRICAL SHOCK OR INJURY.

**WEG, BLUFFTON MOTOR NAME
PLATE EXAMPLE**

60 HZ DATA

3	HP	3
3450	RPM	2850
208-230	VOLTS	220-230
14.0-13.0	F.L.A.	14.0-13.0
1.15	S.F.A.	1.0
10.0-14.0	S.F.A.	N/A

50 HZ DATA

3	HP	3
3450	RPM	2850
208-230	VOLTS	220-230
14.0-13.0	F.L.A.	14.0-13.0
1.15	S.F.A.	1.0
10.0-14.0	S.F.A.	N/A

CONNECTIONS

WARNING Always disconnect motor from power supply before servicing. Fatal shock may result if motor frame and adjacent metal are not grounded in compliance with electrical code.

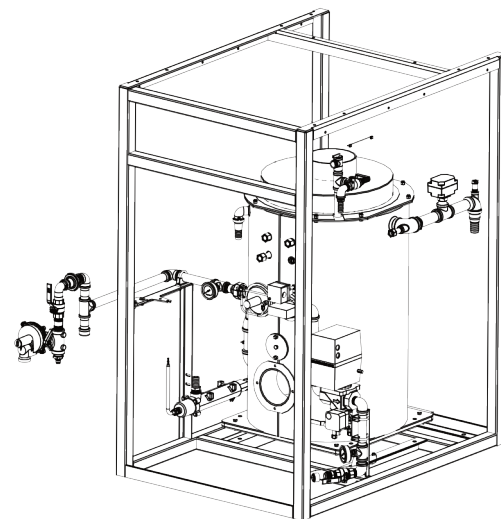
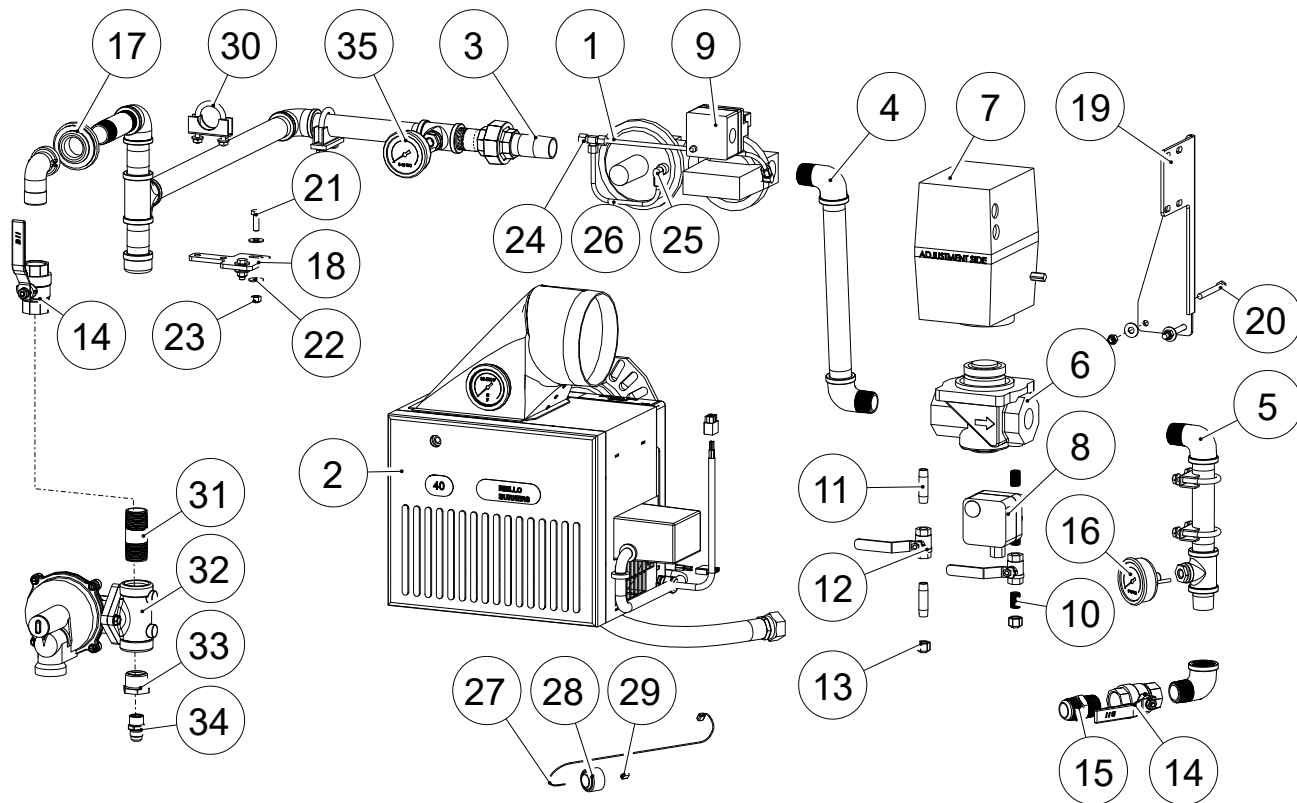
Pump

Part No. 023-905851
Rev. 01 04-17-2023



**Central Mobile Enclosure
650 GTS Series
Gas Train**

S/N: 180001 -
S/N: Current
PAGE: 2.1.17



Gas Train

Part No. 023-905851
Rev. 01 04-17-2023



**Central Mobile Enclosure
650 GTS Series
Gas Train**

S/N: 180001 -
S/N: Current
PAGE: 2.1.18

Item No.	Part No.	Description	Qty.
1		CSD-1 GAS TRAIN - see page 2.1.19	
2		BURNER - see page 2.1.21	
3	018-905003	PKG GAS LINE 1IN BEFORE TRAIN 650GTS	1
4	018-905005	PKG GAS LINE MIDDLE OF TRAIN 650GTS	1
5	018-905004	PKG GAS LINE 1IN AFTER TRAIN 650GTS	1
6	006-901786	VLV BODY V5055B-1002 RIELLO 40-G900	1
7	006-901787	ACTUATOR 120 VOLTS V4062A-1131 RIELLO 40-G900	1
8	006-901785	SW HGP HONEYWELL C6097B 1028 OR DUNGS GMH-A4-4-4	1
9	006-901784	SW LGP HONEYWELL C6097A 1012/DUNG GML-A4-4-4	2
10	011-703824	NIPL 1/4X1(CL) BRS NPT	2
11	011-703796	NIPL 1/4X2 BRS NPT	3
12	011-902576	VLV BALL 1/4 400WOG STD BRS CGA NPTF	2
13	011-703794	CAP PIPE 1/4 BRS NPT	2
14	011-700366	VLV BALL 1 400WOG FL PT BRS CGA NPTF	2
15	011-901736	ADPTR 1MJIC 37X1MPT STL	1
16	005-703490	GAUGE LO-PRESS 0-15IN WC PNL 2-1/2IN WIKA	1
17	009-700016	GROM 1.235X2.375 RBR PIPE 1	1
18	004-904919	BRKT GAS LINE SPRT 650GTS HTR	1
19	004-905002	MNT GAS LINE SPRT 650GTS HTR	1
20	001-700884	BOLT 5/16X3 PLD GR5	2
21	001-700743	BOLT 5/16X1 PLD GR5	2
22	001-700742	WSHR FLT 5/16 PLD	8
23	001-700741	NUT LKG NYL 5/16 UNC PLD	4
24	011-901715	CPRSN TEE 1/4 TUBE	1
25	011-701078	CPRSN FTG ELB 1/4TX1/8 90DEG MPT	2
26	014-700458	PIPE SOFT COP 1/4ODX.03W ASTM B280	2FT
27	001-700451	CABLE ACFT 7X7 1/16 GALV	1FT
28	011-901744	CAP ALUM 1-5/16 1JIC THD	1
29	001-700450	SLEEVE OVAL 1/16 AL CABLE	2
30	001-703040	CLP MUF 1-1/4IN 5/16UNC PLD	4
31	011-703171	NIPL 1X3 BRS NPT	1
32	005-701409	RGLTR PN NPT 10PSI 6-16WC SPR RNG ADJ	1
34	011-701769	ADPTR BRS 1/2NPTX1/2SAE 45DEG FLARE	1
35	005-906944	GAUGE LO-PRESS 0-32IN WC PNL 2-1/2IN	1

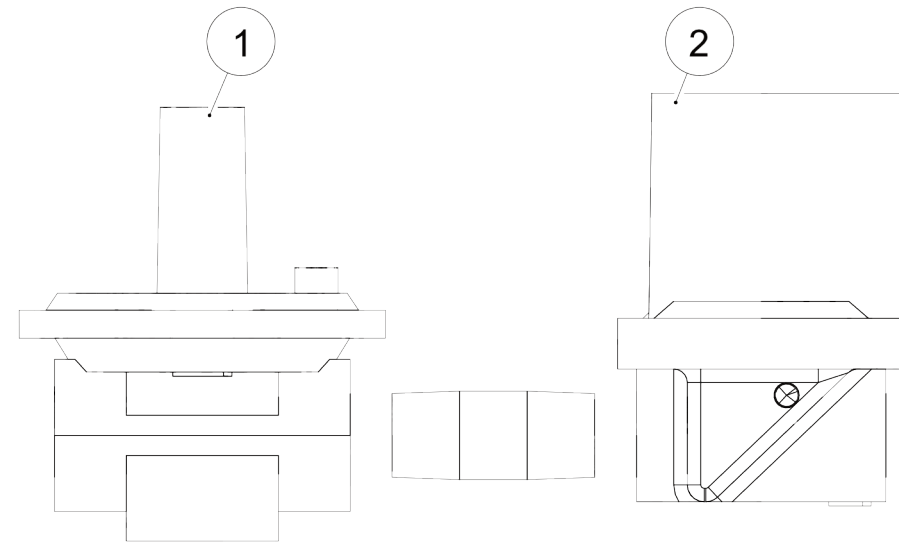
Gas Train

Part No. 023-905851
Rev. 01 04-17-2023



Central Mobile Enclosure
650 GTS Series
Gas Train

S/N: 180001 -
S/N: Current
PAGE: 2.1.19



Gas Train

Part No. 023-905851
Rev. 01 04-17-2023



Central Mobile Enclosure
650 GTS Series
Gas Train

S/N: 180001 -
S/N: Current
PAGE: 2.1.20

Item No.	Part No.	Description	Qty.
	006-902643	GAS TRAIN ASSY RIELLO BURNER 40-G900 CSD-1 (Includes 1,2)	1
1	005-704155	RGLTR GAS 1 MAX RV61 RIELLO 40-G750	1
2	006-901788	VLV SAFETY GAS V48A2169 RIELLO 40-G900	1

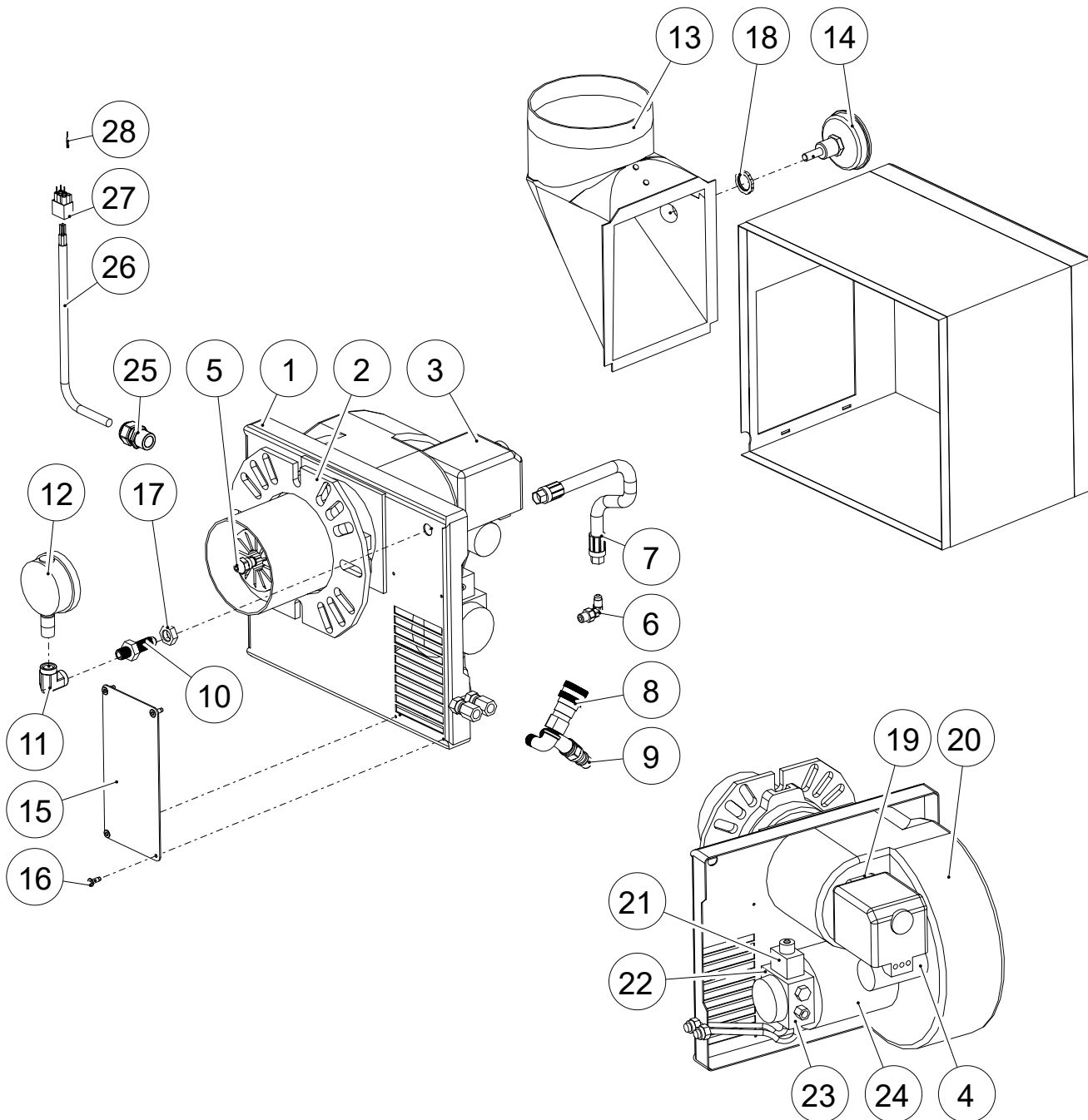
Gas Train

Part No. 023-905851
Rev. 01 04-17-2023



**Central Mobile Enclosure
650 GTS Series
Diesel Burner**

S/N: 180001 -
S/N: Current
PAGE: 2.1.21



Diesel Burner

Part No. 023-905851
Rev. 01 04-17-2023



**Central Mobile Enclosure
650 GTS Series
Diesel Burner**

S/N: 180001 -
S/N: Current
PAGE: 2.1.22

Item No.	Part No.	Description	Qty.
	018-904984	PKG BURNER DSL F20 650GTS (Includes 1-25)	1
1	012-702501	BURNER RIELLO 40-F20 FUEL OIL	1
	006-906338	CVR RIELLO F20 BURNER	1
2	006-702789	GSKT MNT RIELLO 40-F15/F20	1
3	006-702790	CNTRL PRIMARY RIELLO 40 F5/F20	1
4	006-702784	CAPACITOR RIELLO 40-F15/F20	1
5	011-702966	NOZZLE OIL BNR B 3.50X60DEG	1
6	011-702798	ADPTR 90DEG 1/8BSPP X 7/16JIC 37DEG FLARE	1
7	004-704661	FUEL LINE 1/4X10IN #6/#4JICF 37DEG STR SWVL	1
8	011-703822	QC CPLR 1/4 STL PLD NPTF	1
9	011-703823	QC NIPL 1/4 STL PLD NPTF	1
10	011-703015	ADPTR BHD 1/4NPTX9/16JIC 37DEG FLARE	1
11	011-703016	ELB 1/4X90DEG PLD STEEL NPT	1
12	005-702511	GAUGE PRESS 0-300 PSI 1/4NPT LWR CONN	1
13	004-702520	DUCT TOP TAKE OFF 6 IN	1
14	005-700122	GAUGE TEMP 1/2MNPT BIMETAL 0-250F	1
15	004-702739	PLT 16GAX3-3/4X7-3/4	1
16	001-700803	RIVET 5/32 GRP .3125-.375 SS	4
17	011-703015	ADPTR BHD 1/4NPTX9/16JIC 37DEG FLARE	1
18	002-701131	LOCKNUT 1/2 STL CONDUIT	1
19	006-703402	ELECTRODE ASSY 5IN RIELLO 40-F15/F20	1
20	006-902844	FAN RIELLO F15/F20/G750/G900	1
21	006-702785	COIL OIL VLV RIELLO 40-F5/F20	1
22	006-702794	PUMP RIELLO 40-F20	1
23	006-702792	KEY PUMP DRIVE RIELLO 40-F5/F20	1
24	006-702783	MOTOR RIELLO 40-F15/F20/G750/G900	1
25	002-704262	CONN STRN/RLF 1/2 .24-.47 CE/CSA	1
26	002-902118	CABLE SOW 4C16	3 FT
27	002-904981	CONN PLUG 6-PIN 0.084 MOLEX	1
28	002-704007	CONN PIN MALE 14-20AWG TIN	5
		The following components may not be shown	
	006-702796	PKG SERVICE RIELLO 40-F20 FUEL OIL	1
	006-702788	PHOTOCELL RIELLO 40-F5/F20	1
	012-904987	KIT PREHEATED NOZZLE LINE RIELLO F15-20	1

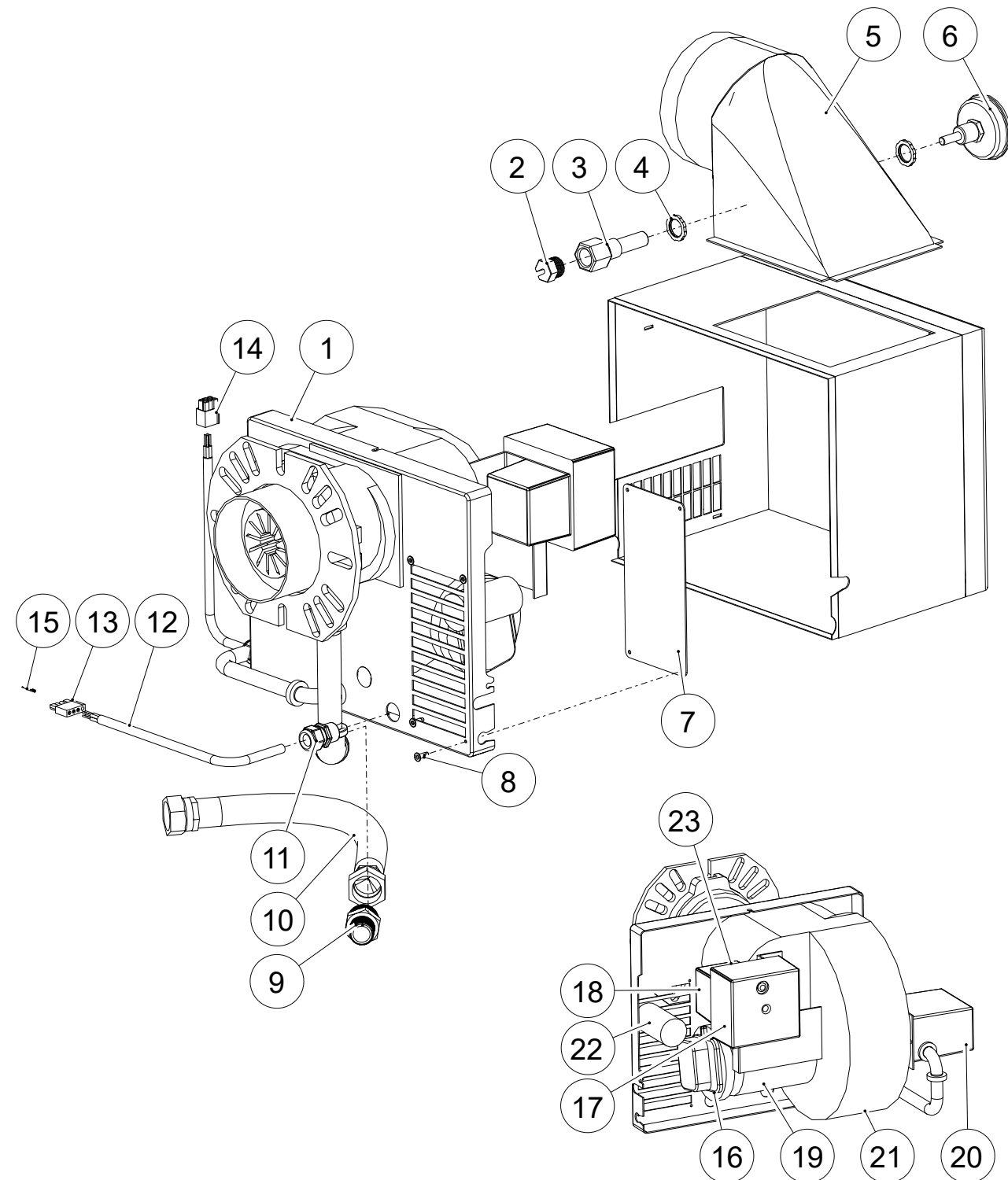
Diesel Burner

Part No. 023-905851
Rev. 01 04-17-2023



**Central Mobile Enclosure
650 GTS Series
NG/PN Burner**

S/N: 180001 -
S/N: Current
PAGE: 2.1.23



NG/PN Burner

Part No. 023-905851
Rev. 01 04-17-2023



**Central Mobile Enclosure
650 GTS Series
NG/PN Burner**

S/N: 180001 -
S/N: Current
PAGE: 2.1.24

Item No.	Part No.	Description	Qty.
	018-904986	PKG BURNER NG G900 650GTS (Includes 1A-15)	1
	018-904985	PKG BURNER LP G900 650GTS (Includes 1B-15)	1
1A	012-901667	BURNER RIELLO 40-G900 NG	1
1B	012-903687	BURNER RIELLO 40-G900 LP	1
2	005-702757	NUT SPLIT WELLCAP 3/4FINE THREAD	1
3	005-702592	WELL THERM BRS 4-3/8IN .385 BORE 1/2IN NPT	1
4	002-701131	LOCKNUT 1/2 STL CONDUIT	3
5	004-702520	DUCT TOP TAKE OFF 6 IN	1
6	005-700122	GAUGE TEMP 1/2MNPT BIMETAL 0-250F	1
7	004-702739	PLT 16GAX3-3/4X7-3/4	1
8	001-700803	RIVET 5/32 GRP .3125-.375 SS	4
9	011-905007	ADPTR 1MJIC 37X3/4MPT STL	1
10	004-901755	HOSE 1X16 NG CSAII FJ16FJ16	1
11	002-704262	CONN STRN/RLF 1/2 .24-.47 CE/CSA	2
12	002-902118	CABLE SOW 4C16	3 FT
13	002-904983	CONN PLUG 4-PIN 0.084 MOLEX	1
14	002-904981	CONN PLUG 6-PIN 0.084 MOLEX	1
15	002-704007	CONN PIN MALE 14-20AWG TIN	7
16A	006-901777	SW AIR RIELLO 40-G900	1
16B	006-901778	SW AIR TUBE CW CONNECTOR RIELLO G900	1
17	005-704160	CONT PRI BOX RMG88 RIELLO 40-G750	1
18A	006-901779	XFMR IGN RIELLO 40-G900	1
18B	006-901780	WIRE HIGH VLTG LEAD RIELLO 40-G900	1
19	006-702783	MOTOR RIELLO 40-F15/F20/G750/G900	1
20	006-901776	SERVOMOTOR RIELLO G900	1
21	006-902844	FAN RIELLO F15/F20/G750/G900	1
22	006-901771	CAPACITOR 20 UF RIELLO 40-G750/G900	1
23	006-901782	FUSE 6.25A RIELLO 40-G900	2
24	006-702789	GSKT MNT RIELLO 40-F15/F20	1
		The following components may not be shown	
	006-702789	GSKT MNT RIELLO 40-F15/F20	1
	002-704162	ELECTRODE ASSY RIELLO 40-G750/G900	1
	002-704163	IONIZATION ASSY RIELLO 40-G750	1

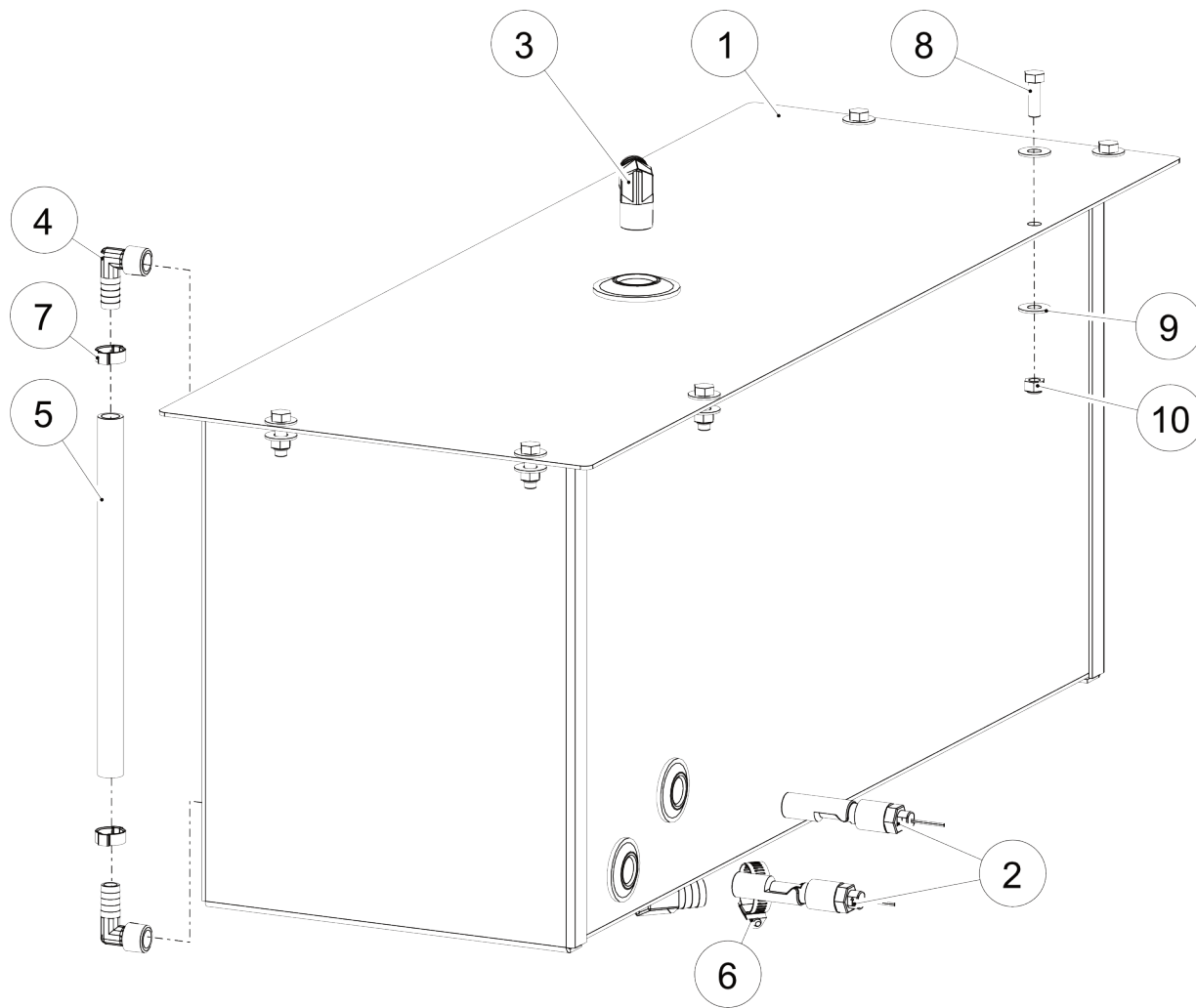
NG/PN Burner

Part No. 023-905851
Rev. 01 04-17-2023



**Central Mobile Enclosure
650 GTS Series
Glycol Tank**

S/N: 180001 -
S/N: Current
PAGE: 2.1.25



Glycol Tank

Part No. 023-905851
Rev. 01 04-17-2023



**Central Mobile Enclosure
650 GTS Series
Glycol Tank**

S/N: 180001 -
S/N: Current
PAGE: 2.1.26

Item No.	Part No.	Description	Qty.
1	004-904816	TANK GLY 650GTS	1
2	002-702012	SW-FLOAT FSH-31	2
3	011-704084	NIPL COMB 3/4NPTX3/4HB 90DEG BRS	2
4	011-704699	NIPL COMB 1/2NPTX1/2HB 90DEG BRS	2
5	016-900748	TUBING CLEAR 1/2ID VINYL	1
6	001-701890	CLP HOSE 1-1/4 SIZE 12	2
7	001-702551	CLP 2-EAR #18SS - 3/8ID HOSE	2
8	001-700743	BOLT 5/16X1 PLD GR5	6
9	001-700742	WSHR FLT 5/16 PLD	12
10	001-700741	NUT LKG NYL 5/16 UNC PLD	6

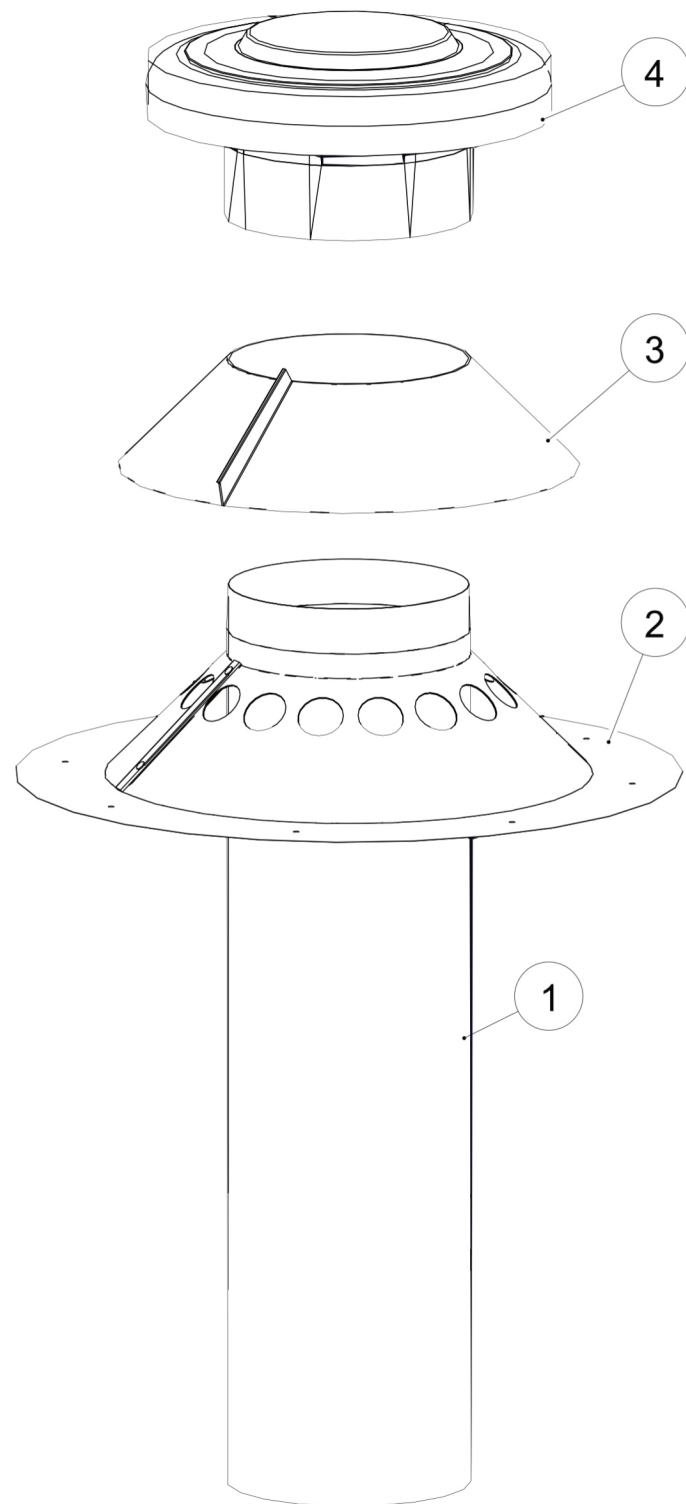
Glycol Tank

Part No. 023-905851
Rev. 01 04-17-2023



Central Mobile Enclosure
650 GTS Series
Chimney

S/N: 180001 -
S/N: Current
PAGE: 2.1.27



Chimney

Part No. 023-905851
Rev. 01 04-17-2023



Central Mobile Enclosure
650 GTS Series
Chimney

S/N: 180001 -
S/N: Current
PAGE: 2.1.28

Item No.	Part No.	Description	Qty.
1	004-900754	CHMNY PIPE 8X30L	1
2	004-702645	FLSHG ROOF VENT 8IN MOD 2100	1
3	004-702570	STORM COLLAR 8IN MOD 2100	1
4	004-702517	CHMNY CAP 8IN CHINA GALV	1
		The following components may not be shown	
	001-700093	SCRW D/T 1/4-14X3/4 3/8HEX HD PLD	

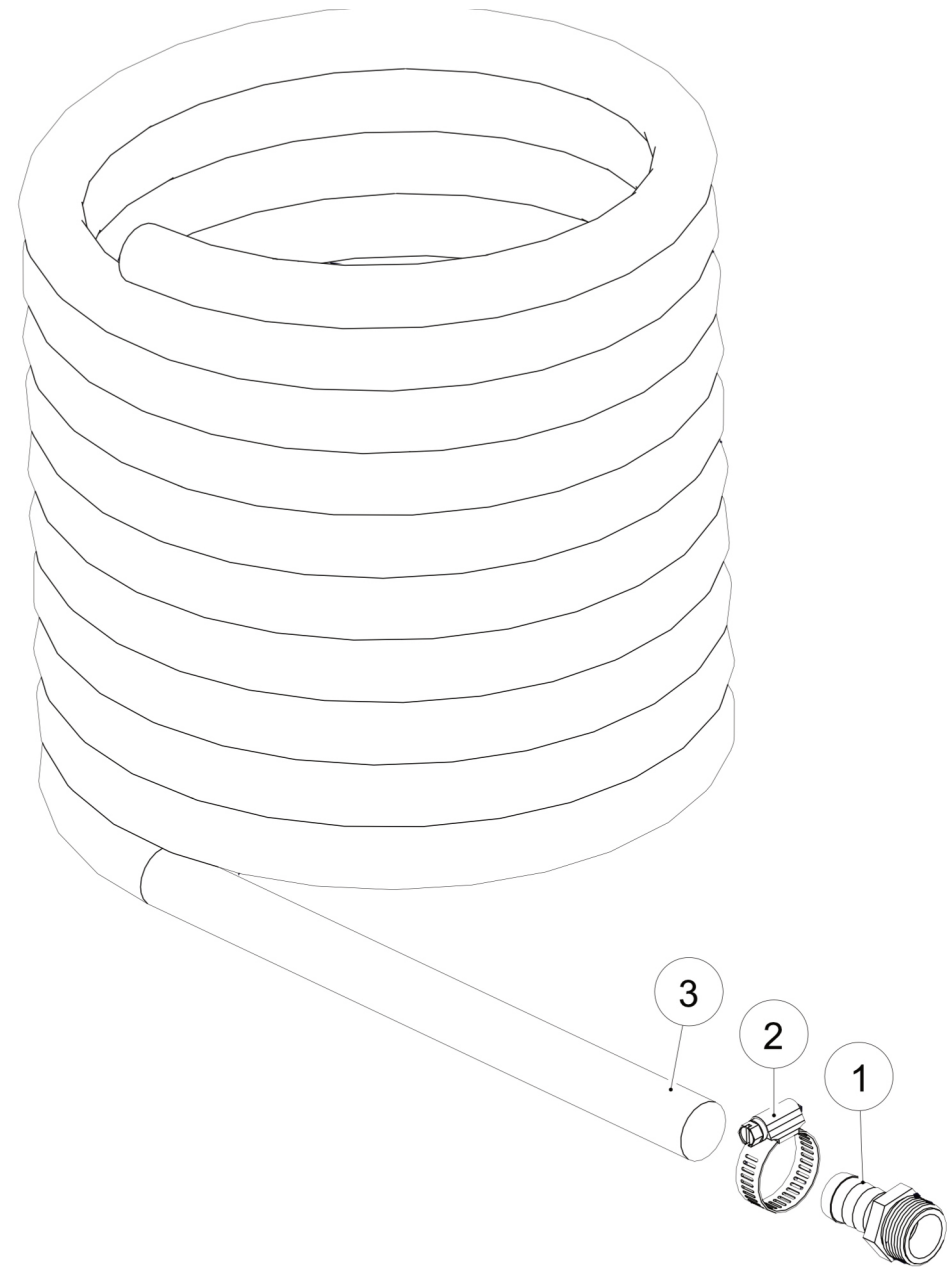
Chimney

Part No. 023-905851
Rev. 01 04-17-2023



Central Mobile Enclosure
650 GTS Series
Glycol Fill Hose

S/N: 180001 -
S/N: Current
PAGE: 2.1.29



Glycol Fill Hose

Part No. 023-905851
Rev. 01 04-17-2023



Central Mobile Enclosure
650 GTS Series
Glycol Fill Hose

S/N: 180001 -
S/N: Current
PAGE: 2.1.30

Item No.	Part No.	Description	Qty.
	018-905951	ASSY FILL HOSE GLY (Includes 1-3)	1
1	011-703212	NIPL COMB MALE GHT X 3/4HB BRS	1
2	001-701890	CLP HOSE 1-1/4 SIZE 12	1
3	013-702635	HOSE 3/4 RED	8 FT

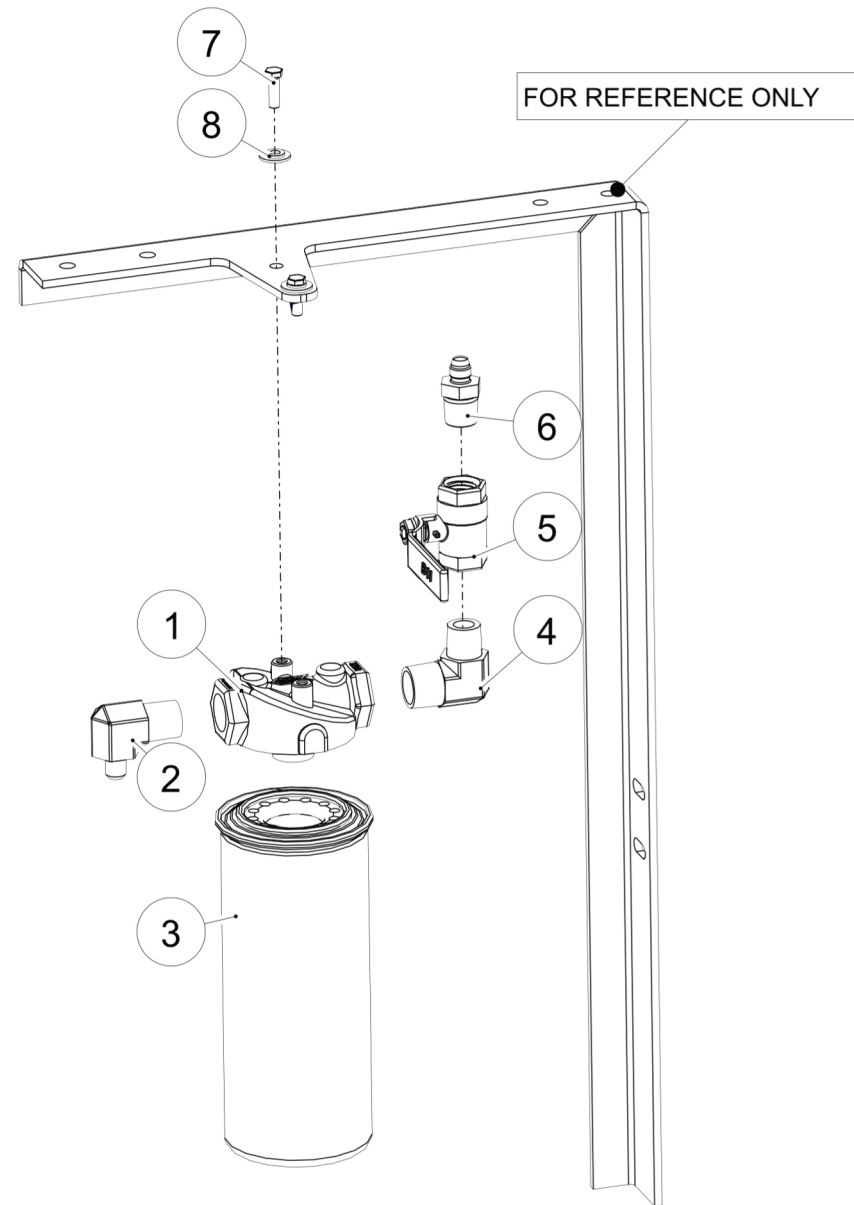
Glycol Fill Hose

Part No. 023-905851
Rev. 01 04-17-2023



Central Mobile Enclosure
650 GTS Series
Fuel Filter

S/N: 180001 -
S/N: Current
PAGE: 2.1.31



Fuel Filter

Part No. 023-905851
Rev. 01 04-17-2023



Central Mobile Enclosure
650 GTS Series
Fuel Filter

S/N: 180001 -
S/N: Current
PAGE: 2.1.32

Item No.	Part No.	Description	Qty.
1	012-702587	ADPTR FUEL FILTER MTG AL	1
2	011-901129	ADPTR 90ELB #6JIC 37X3/4 MPT STL	1
3	012-702588	FILTER FUEL OIL PART/WTR COMB	1
4	011-904676	ADPTR 90 DEG ELB 3/4X1/2 MPT STL	1
5	011-700115	VLV BALL 1/2 400WOG STD BRS CGA NPTF	1
6	011-702625	ADPTR 1/2 NPT X #6JIC 37DEG FLARE	1
7	001-701482	BOLT 1/4X3/4 PLD GR5	2
8	001-700934	WSHR LOCK 1/4 PLD	2

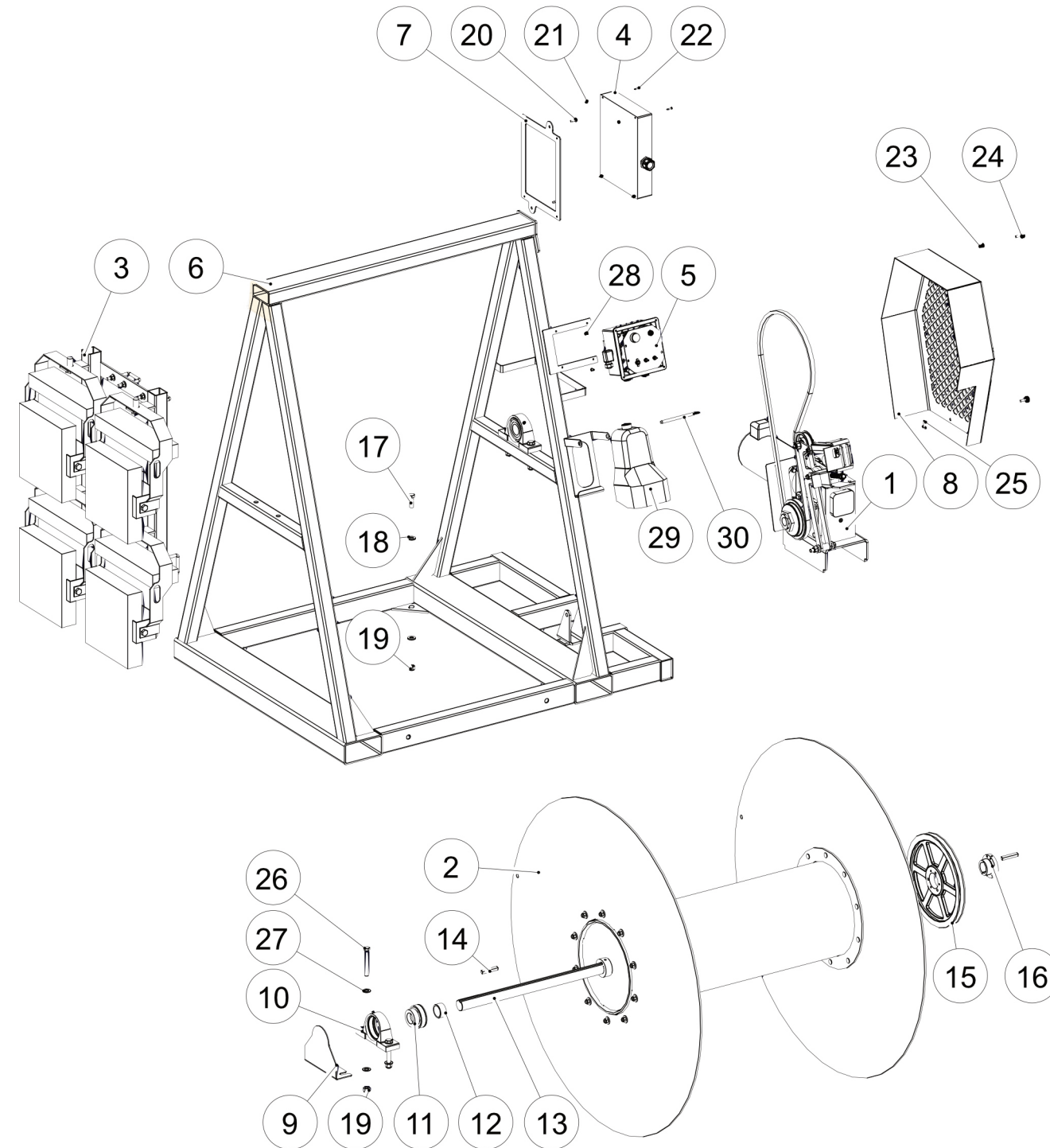
Fuel Filter

Part No. 023-905851
Rev. 01 04-17-2023



**Central Mobile Enclosure
650 GTS Series
HRV 5000**

S/N: 180001 -
S/N: Current
PAGE: 3.1.1



HRV 5000

Part No. 023-905851
Rev. 01 04-17-2023



**Central Mobile Enclosure
650 GTS Series
HRV 5000**

S/N: 180001 -
S/N: Current
PAGE: 3.1.2

Item No.	Part No.	Description	Qty.
1		BELT DRIVE - see page 3.1.3	
2		SPOOL - see page 3.1.5	
3		FLOOD LIGHT - see page 3.1.7	
4		PKG ELEC CONT HRA - see page 3.1.9	
5		PKG SWITCH CONT HRA - see page 3.1.11	
6	004-903103	FRAME HOSE REEL HRV5000	1
7	004-902739	MNT MOTOR CNTRL HRA	1
8	004-902759	PNL BELT GUARD UPPER HRA	1
9	004-903111	SHLD SHFT HRV5000	1
10	017-902600	PLBLK TER P208 1-1/2 BRG	2
11	017-902619	BRG 1-1/2 TER 208	2
12	004-903112	CDSM 1.875OD X1.563ID .875L PNTD BLK	2
13	004-903105	SHAFT CR 1-1/2 CW KEYWAY 46-1/4L	1
14	010-702228	KEY 3/8X2-1/2L	4
15	017-904855	PULLEY SDS 12.75 OD HUB	1
16	017-902618	HUB SDS 1-1/2 3 BOLT PATTERN	1
17	001-700473	BOLT 1/2X1-1/2 PLD GR5	4
18	001-700100	WSHR FLT 1/2 PLT PLD	4
19	001-701606	NUT LKG NYL 1/2 UNC PLD	8
20	001-700093	SCRW D/T 1/4-14X3/4 3/8HEX HD PLD	2
21	001-704503	NUT LKG NYL 8-32 SS UNC	4
22	001-701183	SCRW MACH 8-32X3/4 RHTHD	4
23	001-703408	INSERT THD 1/4 UNC RND BODY .027-.165 GRP	2
24	001-902717	BOLT 1/4X7/8 UNC KNURL PLSTC HD	4
25	001-902760	NUT CLP 1/4X20	2
26	001-702159	BOLT 1/2X3-3/4 UNC PLD	4
27	001-700110	WSHR FLT 1/2 SAE PLD	8
28	001-902773	SCRW THD FMG PLSTC SS 10-14X1/2L	4
29	002-902559	SWITCH FOOT 2NO-2NC PG16F THREAD	1
30	001-902741	PIN QR 3/8X5-1/2L CW RING	1

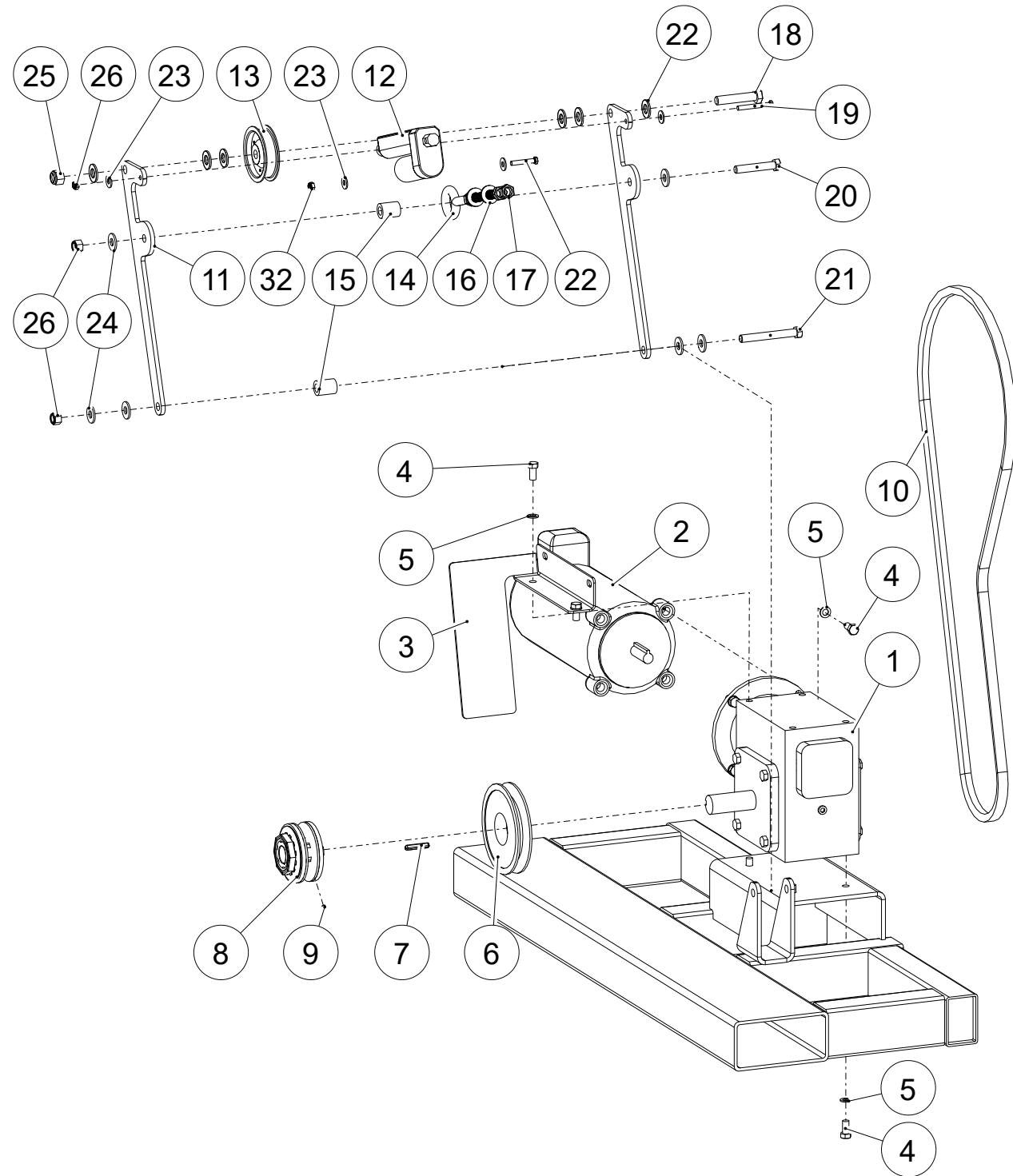
HRV 5000

Part No. 023-905851
Rev. 01 04-17-2023



**Central Mobile Enclosure
650 GTS Series
Belt Drive**

S/N: 180001 -
S/N: Current
PAGE: 3.1.3



Belt Drive

Part No. 023-905851
Rev. 01 04-17-2023



**Central Mobile Enclosure
650 GTS Series
Belt Drive**

S/N: 180001 -
S/N: Current
PAGE: 3.1.4

Item No.	Part No.	Description	Qty.
1	012-902555	GEARBOX HLCL WORM RTANG 60:1 56C.75HP IRONHORSE	1
2	012-902602	MOTOR DC 90V 1HP 56C	1
3	004-902738	GUARD BELT LOWER HRA	1
4	001-700434	BOLT 3/8X3/4 PLD GR5	10
5	001-700936	WSHR LOCK 3/8 PLD	10
6	017-902864	PULLEY B BELT 5.35 ODX1.90625ID	1
7	004-906426	KEY 1/4X1/4 1-1/2L	1
8	017-902565	TRQ LMTR 1-1/8 SHAFT SGL SPR 50-10 FT LB (Includes 9-15)	1
9	006-702378	SCRW SET 1/4-20X1/4 TRQ LMTR	1
10	012-904856	BELT B72 HRV5000	1
11	004-902743	ARM PIVOT HRA	2
12	005-902560	LINAC 3IN STROKE 150LBS 12VDC	1
13	017-902603	PULLEY B BELT 3.25 OD INT BRG FLT-IDLER	1
14	001-902566	BOLT EYE 1/2X4X1IN OPEN 8L UNC	1
15	004-902740	DOM .875OD X.500ID 1-1/8L PNTD BLK	2
16	001-700110	WSHR FLT 1/2 SAE PLD	8
17	001-703313	NUT JAM 1/2 UNC PLD	4
18	001-700475	BOLT 1/2X2-1/2 PLD GR5	1
19	001-700955	BOLT 1/4X2 PLD GR5	1
20	001-700469	BOLT 7/16X2-1/2 PLD GR5	1
21	001-700470	BOLT 7/16X3-1/2 PLD GR5	1
22	001-700956	BOLT 1/4X1-1/2 PLD GR5	1
23	001-700129	WSHR FLT 1/4 PLD	4
24	001-700719	WSHR FLT 3/8 PLD	6
25	001-701606	NUT LKG NYL 1/2 UNC PLD	1
26	001-701716	NUT LKG NYL 7/16	2
		The following components may not be shown	
	006-906553	DISC SET 1-1/8IN TRQ LMTR	

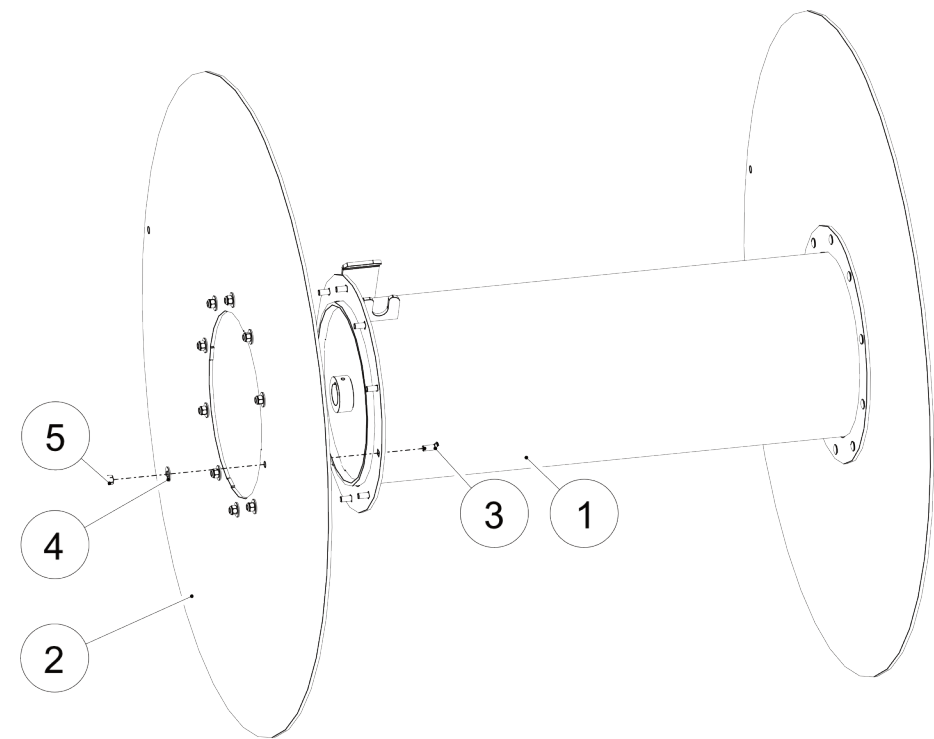
Belt Drive

Part No. 023-905851
Rev. 01 04-17-2023



Central Mobile Enclosure
650 GTS Series
Spool

S/N: 180001 -
S/N: Current
PAGE: 3.1.5



Spool

Part No. 023-905851
Rev. 01 04-17-2023



Central Mobile Enclosure
650 GTS Series
Spool

S/N: 180001 -
S/N: Current
PAGE: 3.1.6

Item No.	Part No.	Description	Qty.
1	004-903104	SPOOL HOSE REEL HRV5000	1
2	004-904849	RING OUTER CW 10HOLES 46 OD	2
3	001-704090	BOLT CRG 3/8-16X1 UNC PLD	18
4	001-700719	WSHR FLT 3/8 PLD	36
5	001-700721	NUT LKG NYL 3/8 UNC PLD	18

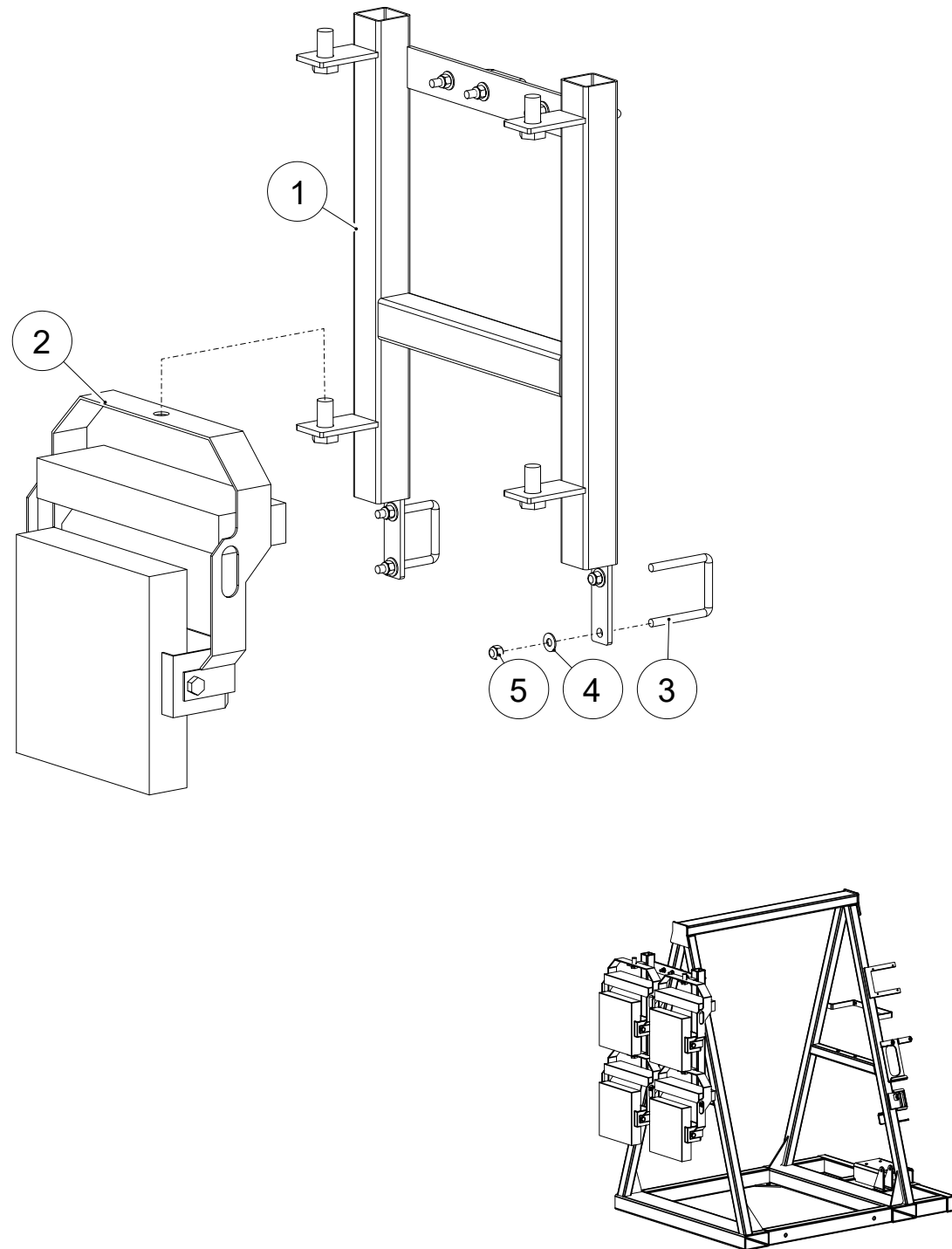
Spool

Part No. 023-905851
Rev. 01 04-17-2023



Central Mobile Enclosure
650 GTS Series
Flood Light

S/N: 180001 -
S/N: Current
PAGE: 3.1.7



Flood Light

Part No. 023-905851
Rev. 01 04-17-2023



Central Mobile Enclosure
650 GTS Series
Flood Light

S/N: 180001 -
S/N: Current
PAGE: 3.1.8

Item No.	Part No.	Description	Qty.
1	004-905313	FRAME FLOOD LIGHT HOLDER 650GTS	1
2		FLOOD LAMP - <i>Call DryAir Parts Dept.</i>	4
3	001-905294	U-BOLT 3/8X2-5/16X3-1/4 UNC PLD	4
4	001-700719	WSHR FLT 3/8 PLD	8
5	001-700721	NUT LKG NYL 3/8 UNC PLD	8

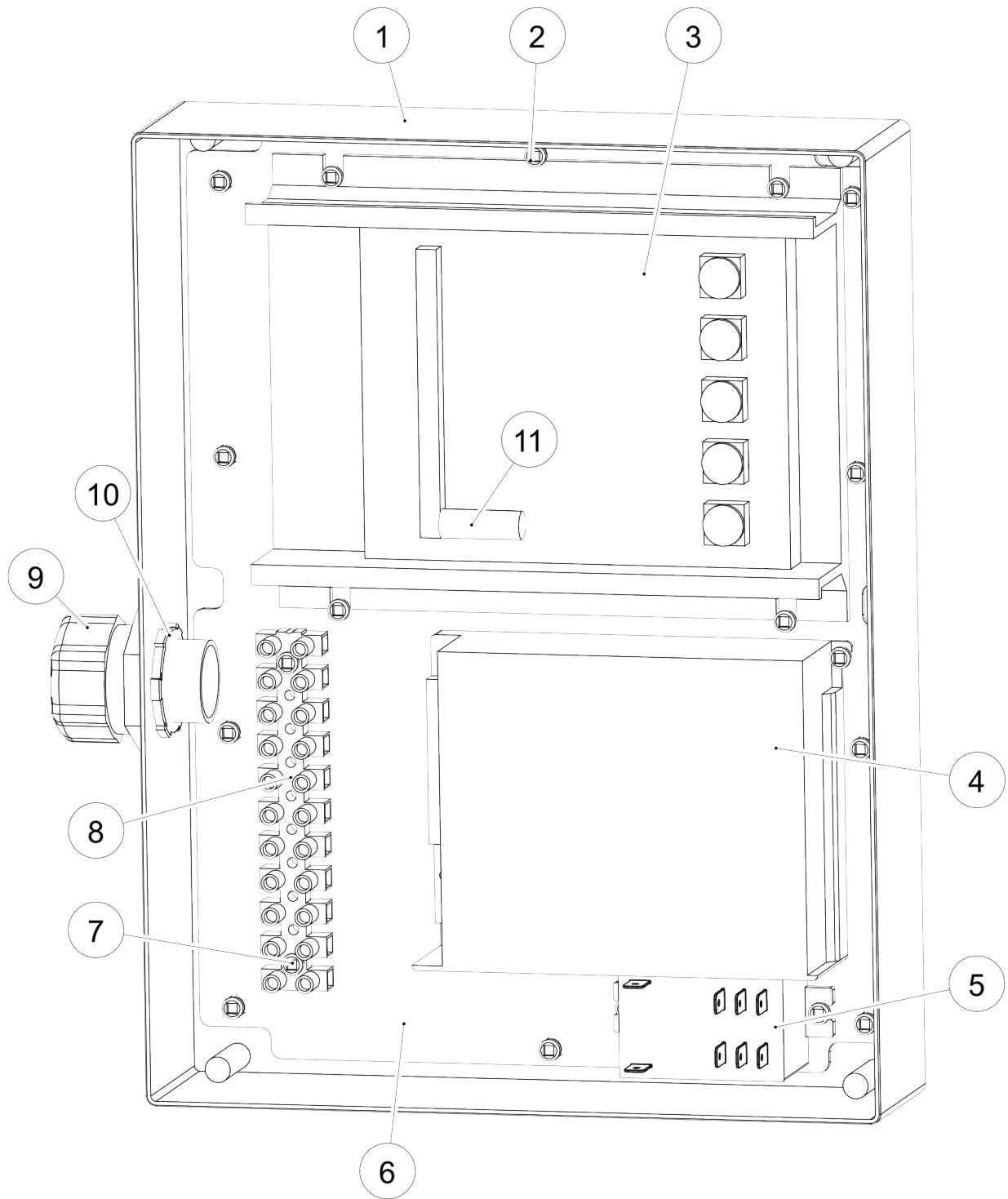
Flood Light

Part No. 023-905851
Rev. 01 04-17-2023



**Central Mobile Enclosure
650 GTS Series
Control HRA**

S/N: 180001 -
S/N: Current
PAGE: 3.1.9



Control HRA

Part No. 023-905851
Rev. 01 04-17-2023



**Central Mobile Enclosure
650 GTS Series
Control HRA**

S/N: 180001 -
S/N: Current
PAGE: 3.1.10

Item No.	Part No.	Description	Qty.
1	002-902562	ENC ELEC 11.75X9X3.5 POLYCARB	1
2	001-900608	SCRW SH MET #6X3/8 PAN HD SQ DR ZINC	18
3	005-902557	MOTOR CONTROLLER 90VDC IRONHORSE	1
4	002-902561	XFMR 120VAC-12VDC 72VA OUTPUT	1
5	002-902606	RELAY 12VDC DPDT FINDER SOLID-STATE	1
6	004-902624	PLT BKG ELEC BOX 11.75X9	1
7	001-702953	SCRW SH MET #6X3/4 PAN HD	2
8	002-702013	TERM STRIP-12POLE	1
9	002-902609	CONN STR-RLF 3/4 FOR 1/2 TEK CABLE	1
10	002-701133	LOCKNUT 3/4 STL CONDUIT	1
11	006-904745	FUSE ABC-15 SLO-BURN	1

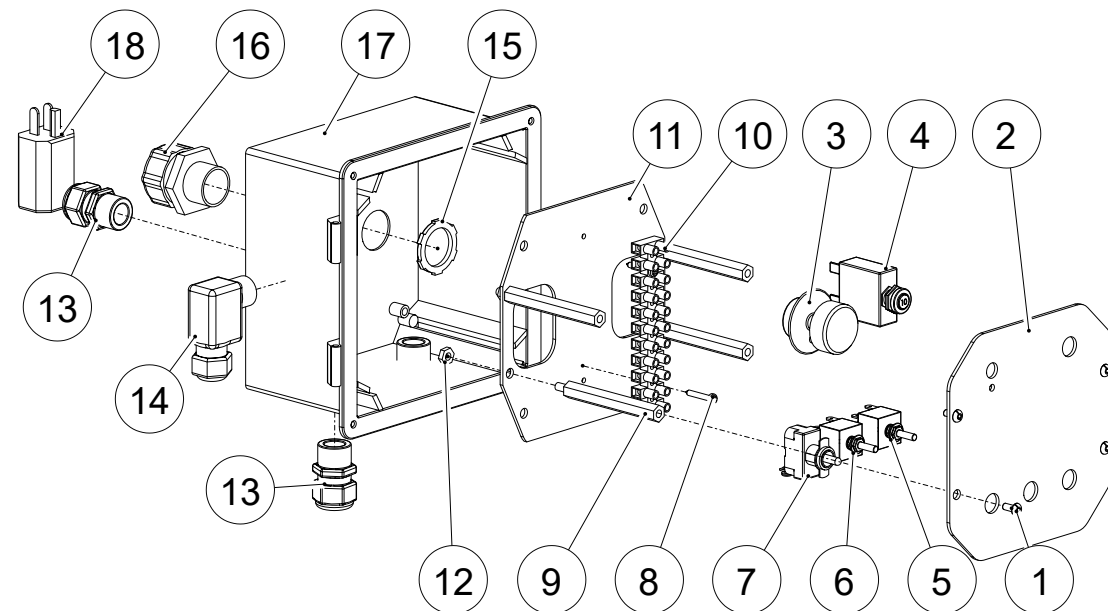
Control HRA

Part No. 023-905851
Rev. 01 04-17-2023



**Central Mobile Enclosure
650 GTS Series
Switch HRA**

S/N: 180001 -
S/N: Current
PAGE: 3.1.11



Switch HRA

Part No. 023-905851
Rev. 01 04-17-2023



**Central Mobile Enclosure
650 GTS Series
Switch HRA**

S/N: 180001 -
S/N: Current
PAGE: 3.1.12

Item No.	Part No.	Description	Qty.
1	001-704572	SCRW MACH 10-32x3/8 SS UNF BTN HD 1/8HEX DR	4
2	004-902614	FPLT HRA ELEC	1
3	006-702384	PKG POTENTIOMETER S9111	1
4	002-902617	BRKR CKT 10A PUSH TO RESET	1
5	002-902615	SW DPDT MOM ON-OFF-MOM ON SCRW TERM	1
6	002-904746	SW 20A DPDT ON-ON	1
7	002-701359	SW TGL SPST 20A 125V SCRW TERM	1
8	001-702953	SCRW SH MET #6X3/4 PAN HD	2
9	001-902648	STANDOFF #10-32 MXF 3IN L BODY	4
10	002-702013	TERM STRIP-12POLE	1
11	004-902581	PLT BKG ELEC BOX 5-1/4IN SQ	1
12	001-703107	NUT MSCR #10-32 HEX PLD	4
13	002-704262	CONN STRN/RLF 1/2 .24-.47 CE/CSA	2
14	002-704247	CONNECTOR 1/2 90DEG FLEX NYL	1
15	002-701133	LOCKNUT 3/4 STL CONDUIT	1
16	002-902609	CONN STR-RLF 3/4 FOR 1/2 TEK CABLE	1
17	002-901427	ENC 6X6 POLY CW WINDOW	1
18	002-700036	PLUG CORD MALE YEL 3PR 120V	1
		The following components may not be shown	
	001-702161	WSHR LOCK #10 PLD	4

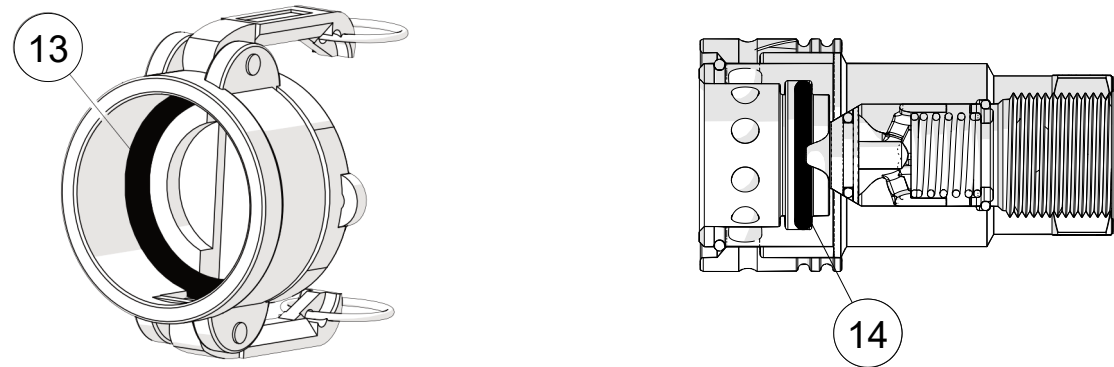
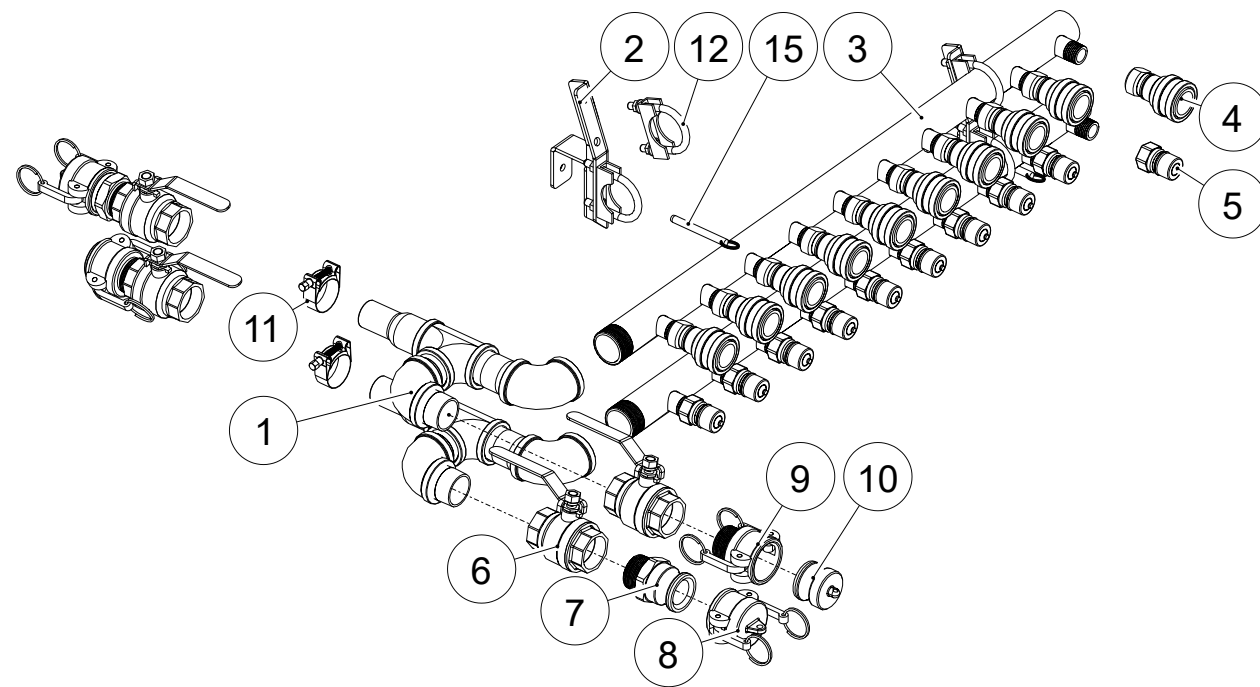
Switch HRA

Part No. 023-905851
Rev. 01 04-17-2023



**Central Mobile Enclosure
650 GTS Series
Manifold**

S/N: 180001 -
S/N: Current
PAGE: 4.1.1



Manifold

Part No. 023-905851
Rev. 01 04-17-2023



**Central Mobile Enclosure
650 GTS Series
Manifold**

S/N: 180001 -
S/N: Current
PAGE: 4.1.2

Item No.	Part No.	Description	Qty.
1	018-904569	PKG PLMB MAN SPLY-RET 650GTS	2
2	004-903102	BRKT MANF MNT 10 PORT	2
3	004-903098	MANF PIPE 1-1/2X37-1/2 10 PORT-3/4	2
4	011-701518	QC CPLR 3/4 BRS NPTF	10
5	011-701517	QC NIPL 3/4 BRS NPTF	10
6	011-700580	VLV BALL 1-1/2 400WOG FL PT BRS CGA NPTF	4
7	011-702847	KMLCK 1-1/2 ADPTR AL MALE NPT PART F	2
8	011-702849	KMLCK 1-1/2 DUST CAP AL PART DC	2
9	011-702848	KMLCK 1-1/2 FEMALE CPLR AL MALE NPT PART B	2
10	011-702850	KMLCK 1-1/2 DUST PLUG AL PART DP	2
11	001-704678	CLP HOSE HEAVY DUTY 1.69-1.85 RNG (43-47mm)	2
12	001-700622	CLP MUF 1-7/8X3/8 BOLT ZINC PLD	4
13	006-702960	GSKT 1-1/2IN KMLCK CPLR STD	1
	006-702963	GSKT 1-1/2IN KMLCK CPLR THICK	1
	006-900825	GSKT 1-1/2IN KMLCK CPLR SILICONE RBR	1
14	006-702958	O-RING 3/4IN QC CPLR (.101) HANSEN	1
	006-704311	O-RING 3/4IN QC CPLR (.141) PARKER & DIXON	1
15	001-902939	PIN QR 3/8X3-1/2L CW RING	2

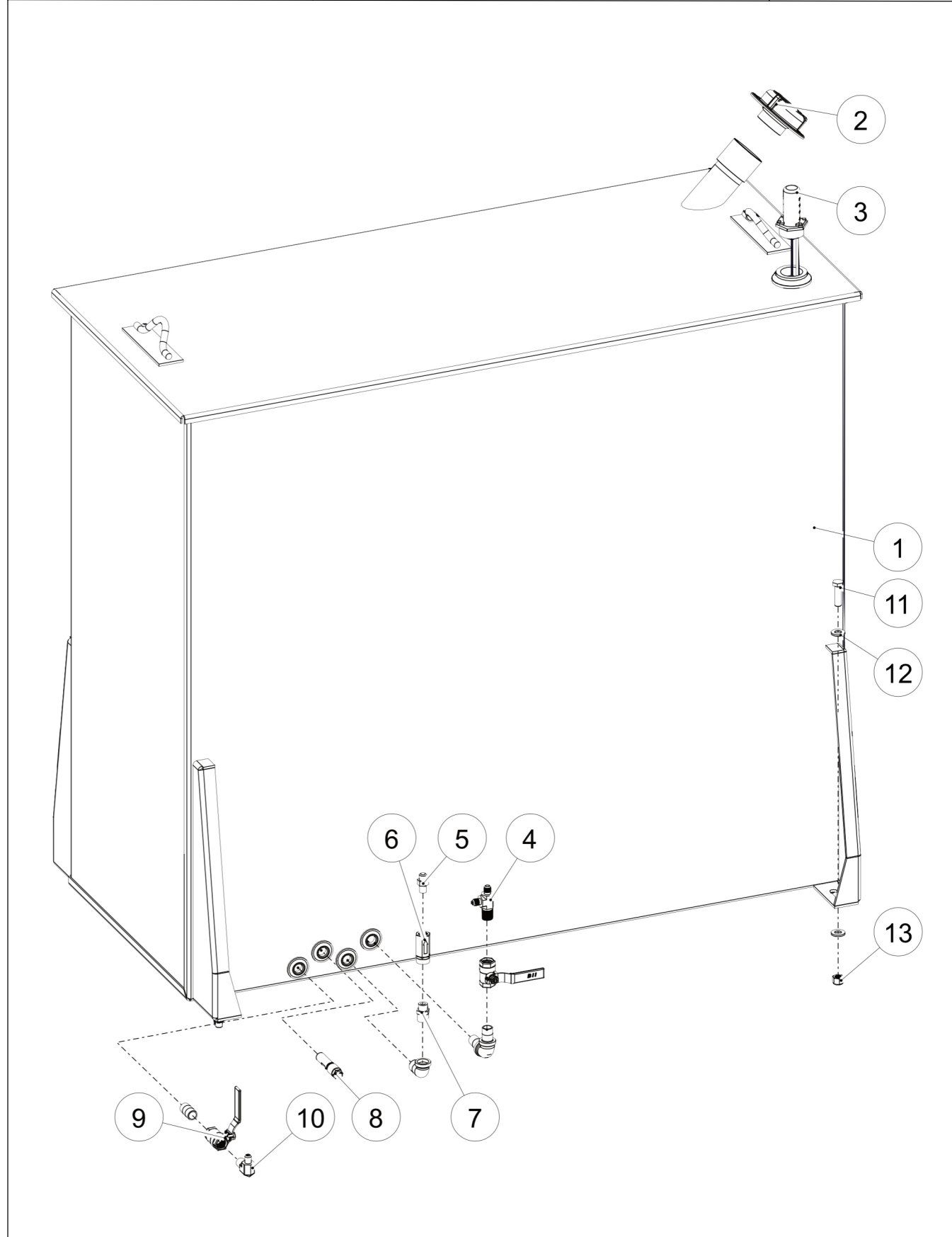
Manifold

Part No. 023-905851
Rev. 01 04-17-2023



**Central Mobile Enclosure
650 GTS Series
Fuel Tank**

S/N: 180001 -
S/N: Current
PAGE: 5.1.1



Fuel Tank

Part No. 023-905851
Rev. 01 04-17-2023



**Central Mobile Enclosure
650 GTS Series
Fuel Tank**

S/N: 180001 -
S/N: Current
PAGE: 5.1.2

Item No.	Part No.	Description	Qty.
1	004-905042	TANK FUEL 650GTS	1
2	011-703500	CAP 2IN MPT NON-SPILL PRESS/VAC RLF GALV	1
3A	006-901802	PKG GAUGE LVL GLASS(KRUGER SENTRY)	1
3B	012-905054	GAUGE MECH FLOAT 49IN 1-1/2 NPT (Includes 3)	1
4	011-901439	TEE #6JICX1/2NPTX#6JIC	1
5	011-900819	ADPTR 3/8NPT X #6JIC MALE	1
6	011-904006	VLV CHECK 3/8 NPT FEM BRS FUEL .5PSI OPEN PRESS	1
7	011-901963	NIPL HEX RDCG 1/2MNPTX3/8MNPT BRS	1
8	002-702012	SW-FLOAT FSH-31	1
9	011-700115	VLV BALL 1/2 400WOG STD BRS CGA NPTF	2
10	011-900602	ADPTR 90ELB 3/8MJIC 37X1/2 MPT STL	1
11	001-901454	BOLT 1/2X1-3/4 PLD GR5	4
12	001-700100	WSHR FLT 1/2 PLT PLD	8
13	001-701606	NUT LKG NYL 1/2 UNC PLD	4

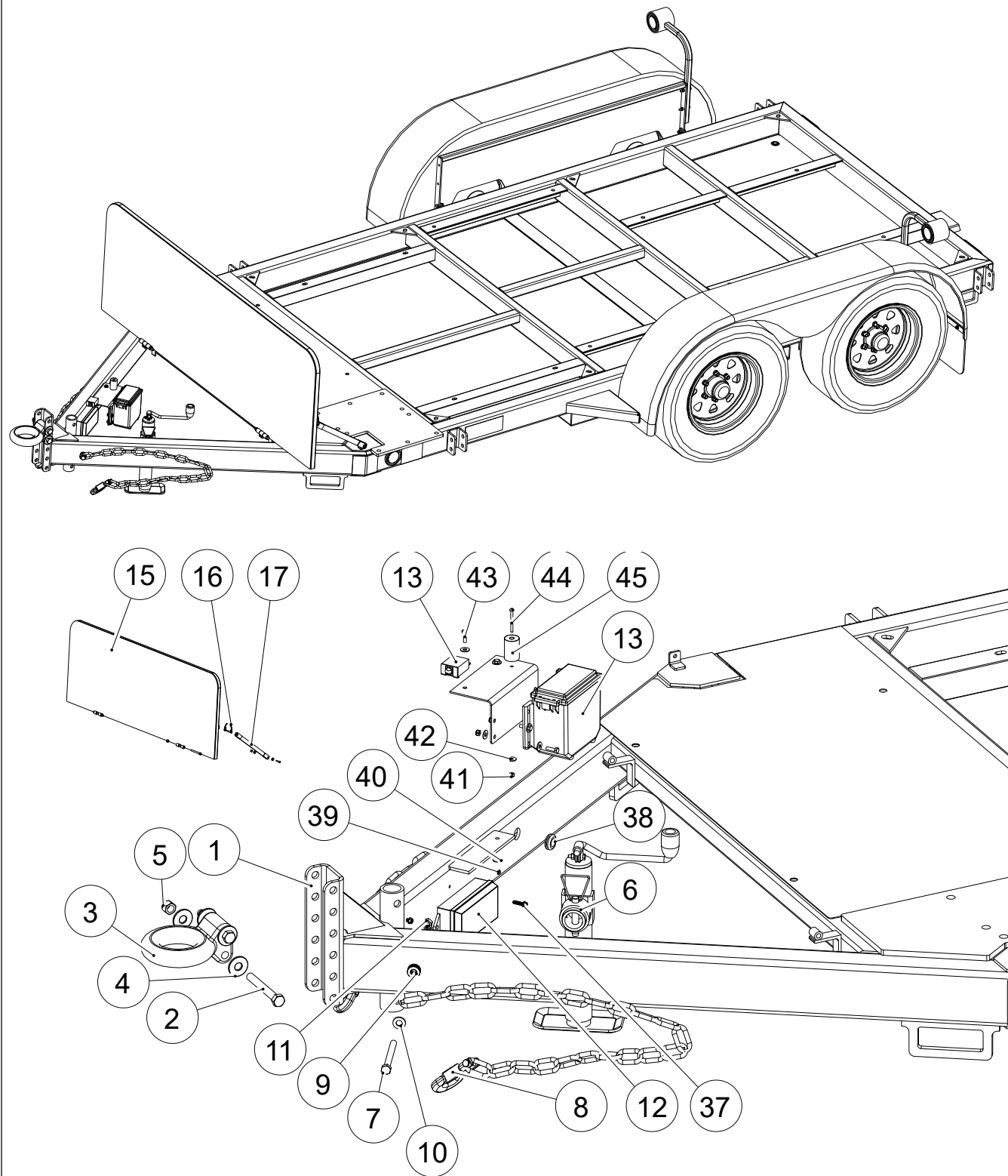
Fuel Tank

Part No. 023-905851
Rev. 01 04-17-2023



**Central Mobile Enclosure
650 GTS Series
Trailer**

S/N: 180001 -
S/N: Current
PAGE: 6.1.1



Trailer

Part No. 023-905851
Rev. 01 04-17-2023



**Central Mobile Enclosure
650 GTS Series
Trailer**

S/N: 180001 -
S/N: Current
PAGE: 6.1.2

Item No.	Part No.	Description	Qty.
1	004-903088	FRAME MAIN 650GTS	1
2	001-703348	BOLT 5/8X5-1/2 PLD GR5	2
3	004-701955	LUNETTE EYE 3 INCH	1
4	001-703306	WSHR FLAT 5/8 PLT PLD	4
5	001-700950	NUT LKG NYL 5/8 UNC PLD	2
6	012-703003	JACK TOPWIND 5000LB 10IN LIFT	1
7	001-901105	BOLT 1/2X5 GR8 UNC PLD	2
8	012-901107	CHAIN SAF 3/8X35 CW LATCH-HOOK 1/2IN LINK	2
9	001-700100	WSHR FLT 1/2 PLT PLD	10
10	001-901106	WSHR FLT 1/2 GR8 PLD	4
11	001-703279	NUT LKG UNITORQUE 1/2 UNC PLD	2
12	002-901215	BOX JUNCTION TRLR ELEC 7 POLE	1
13	004-701984	BREAKAWAY PKG	1
14	010-702025	BRKT BRKAWY SYS	1
15	004-905298	STONE GUARD	1
16	001-703287	PIN QUICK 1/4X2-1/2 RND LOOP	2
17	004-903006	SUPPORT STONE GUARD	2
18	018-703352	FEN ASSY TR6000-2 TRLR	2
19	012-704396	WHEEL ASSY ST225/75R15 6BLT ON 5.5IN LR-E	4
20	001-703962	NUT WHEEL 1/2 UNF	24
21	002-903030	LIGHT AMBER CLEARANCE 2.5IN LED	4
22	002-703321	GROM LAMP 2-1/2 INCH	9
23	010-703334	MNT CLEARANCE LIGHT TRLR	2
24	002-903031	LIGHT RED CLEARANCE 2.5IN LED	5
25	001-700822	BOLT 5/16X2 PLD GR5	2
26	001-700741	NUT LKG NYL 5/16 UNC PLD	2
27	002-903033	GROM LAMP 6IN OVAL	2
28	002-903032	LIGHT TAIL OVAL 6IN LED	2
29	002-701961	LIGHT LICENSE PLT	1
30	012-903466	AXLE #11 TORFLEX 22.5DEG UP 6000LB TRK WD=83	2
31	001-703308	NUT FLG 5/16 UNC PLD	4
32	004-703336	PLT MUD GD MNT TR6000-2	2
33	004-703335	MUD GD 10X10	2
34	001-703307	BOLT CRG 5/16X3/4 UNC PLD GR5	4
35	001-700960	BOLT 3/8X1-1/4 PLD GR5	8
36	001-700721	NUT LKG NYL 3/8 UNC PLD	8
<i>Contact DryAir Parts Dept. for Diamond Plated Fenders</i>			

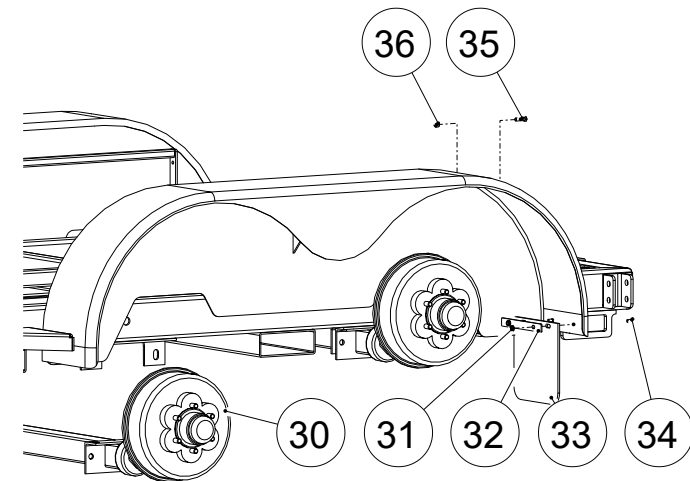
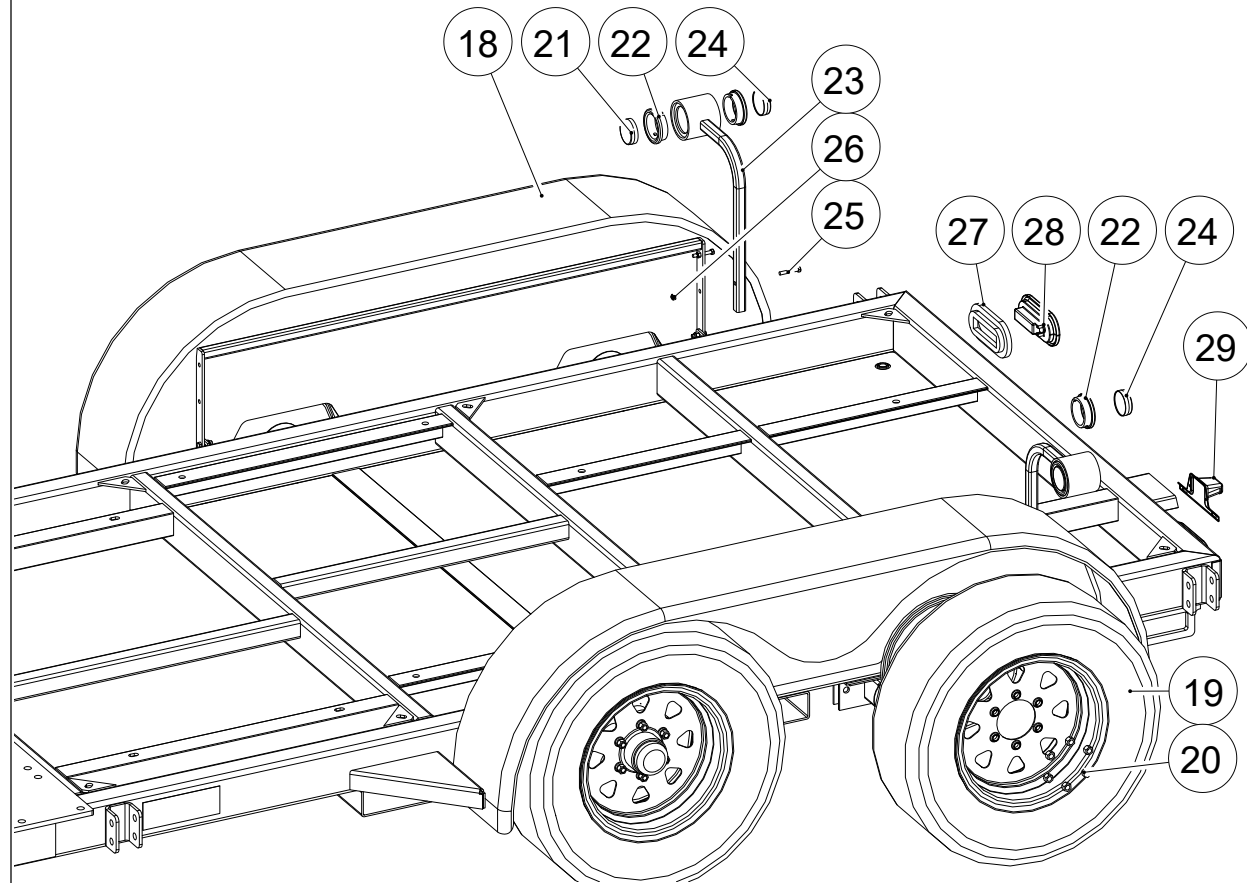
Trailer

Part No. 023-905851
Rev. 01 04-17-2023



**Central Mobile Enclosure
650 GTS Series
Trailer**

S/N: 180001 -
S/N: Current
PAGE: 6.1.3



Trailer

Part No. 023-905851
Rev. 01 04-17-2023




**Central Mobile Enclosure
650 GTS Series
Trailer**


S/N: 180001 -
S/N: Current
PAGE: 6.1.4

Item No.	Part No.	Description	Qty.
37	001-700435	SCRW D/T 1/4-14X1 3/8HEX HD PLD	2
38	009-701995	GROM RBR 1X11/16	7
39	001-700042	NUT LKG NYL 1/4 UNC PLD	6
40	001-700129	WSHR FLT 1/4 PLD	12
41	001-700805	NUT LKG 10-24 PLD	1
42	001-700099	WSHR FNDR 3/4X3/16 PLD	1
43	001-703316	BOLT 1/4X7/8 PLD GR5	6
44	001-900789	SCRW MACH 10-24X2 PANHEAD	1
45	009-907082	BUMPER RBR BLK 1-1/4 OD X 1-7/8L	1
Contact DryAir Parts Dept. for Diamond Plated Fenders			

Trailer

Part No. 023-905851
Rev. 01 04-17-2023

		Central Mobile Enclosure 650 GTS Series Hoses and Fuel Lines	S/N: 180001 - S/N: Current PAGE: 7.1.1
Item No.	Part No.	Description	Qty.
		PREHEATER TO BURNER	
1	013-702615	DUCT FLEX 6INX25FT THERMAFLEX	44IN
		SUPPLY TO MANIFOLD	
2	013-704064	HOSE 1-1/2ID SUCTION WIRE HELIX	96IN
		MANIFOLD TO RETURN	
3	013-704064	HOSE 1-1/2ID SUCTION WIRE HELIX	96IN
		GLYCOL PREHEATER TO HE	
4	013-702636	HOSE 1 RED	27IN
		DANFOSS TO RTN HE PLUMBING	
5	013-702636	HOSE 1 RED	16IN
		PRESSURE RLF VLV TO RTN HE PLUMBING	
6	013-702635	HOSE 3/4 RED	23IN
		GLYCOL TANK TO HE	
7	013-702635	HOSE 3/4 RED	24IN
		GLYCOL TANK OVERFLOW	
8	013-702635	HOSE 3/4 RED	90IN
		DANFOSS TO PREHEATER	
9	013-702634	HOSE 1/2 RED	41IN
		PREHEATER TO RTN HE PLUMBING	
10	013-702634	HOSE 1/2 RED	76IN
		FUEL LINES	
13	004-903168	FUEL LINE 3/8X60IN STR/90DEG #6JIC FEM SWVL ENDS	1
14	004-905229	FUEL LINE 3/8X25IN #6JICF STR SWVL	1
15	004-905230	FUEL LINE 3/8X47IN #6JICF STR SWVL	1
16	004-903053	FUEL LINE 3/8X19IN STR/90DEG #6JICF SWVL ENDS	1
17	004-902257	FUEL LINE 3/8X24IN #6JICF SWVL 1/4NPTM ST	1

		Central Mobile Enclosure 650 GTS Series Decals	S/N: 180001 - S/N: Current PAGE: 8.1.1
1A		3A	
1B		3B	
2		4	
5A		7A	
5B		7B	
6		8	
9A		11	
9B		12	
10			
Item No.	Part No.	Description	Qty.
1A	003-700732	DECAL DRYAIR 16X2.68 05 BLUE VINYL R1	3
1B	003-906401	DECAL DRYAIR 16X2.48	3
2	003-700733	DECAL DRYAIR 16X2.68 WHITE VINYL R1	3
3A	003-901009	DECAL WWW.DRYAIR.CA 21.75X2.18	2
3B	003-906443	DECAL WWW.DRYAIR.CA 22L	2
4	003-901114	DECAL WWW.DRYAIR.CA 22.25X2 WHT	2
5A	003-905156	DECAL 650GTS 16.75X3.25	2
5B	003-906442	DECAL 650GTS 16.75L	2
6	003-905157	DECAL 650GTS 16.75X3.25 WHT	3
7A	003-900478	DECAL GREENTHAW 58.5X10	3
7B	003-906359	DECAL GREENTHAW 44X8.625	3
8	003-901111	DECAL GREENTHAW 58.5X10 WHT	3
9A	003-903528	DECAL GREENTHAW 27X4-5/8	1
9B	003-906399	DECAL GREENTHAW 27X5.25	1
10	003-903721	DECAL GREENTHAW 27X4-5/8 WHT	1
11	003-906740	DECAL QR OP MAN 650 GTS	1
12	003-906860	DECAL QR VIDEOS 650GTS	1



**Central Mobile Enclosure
650 GTS Series
Decals**

S/N: 180001 -
S/N: Current
PAGE: 8.1.2

1

2A

2B

3

4

5A

5B

6

7

8

9

10

Item No.	Part No.	Description	Qty.
1	003-905060	DECAL ELEC SCHEM 650GTS	1
2A	003-905071	DECAL CNTRL PNL 650GTS	1
2B	003-906439	DECAL BLUE CNTRL PNL 650GTS	1
3	003-905070	DECAL TROUBLESHOOTING 650GTS	1
4	003-700162	DECAL DNGR 220V	1
5A	003-905073	DECAL GAUGE PNL 650GTS	1
5B	003-906440	DECAL BLUE GAUGE PNL 650GTS	1
6	003-906441	DECAL BLUE BRKR IDENT 650GTS	1
9	003-700159	DECAL SAFETY FIRST	1
7	003-703323	DECAL MADE IN CANADA 1.5x3	2
8	003-701455	DECAL ELEC 4WIRE HOOKUP	1
9	003-700159	DECAL SAFETY FIRST	1
10	003-906384	DECAL GLYCOL SAFETY	1

Decals

Part No. 023-905851
Rev. 01 04-17-2023



**Central Mobile Enclosure
650 GTS Series
Decals**

S/N: 180001 -
S/N: Current
PAGE: 8.1.3

1

2

3

4

5

6

7

8

9

10

11

12

Item No.	Part No.	Description	Qty.
1	003-701454	DECAL HTF FLUID LEVELS	1
2	003-702435	DECAL DSL ONLY MOD 2100 DSL	1
3	003-701524	DECAL CAUTION GLY SHUT VLV	1
4	003-903279	DECAL HOSE REEL MAX LOOP LENGTH	1
5	003-704791	DECAL HI LIMIT TEMP SETTING	1
6	003-900454	DECAL NON-PRESS-VESEL 4X4.5	1
7	003-901187	DECAL ATTN CLOSE VLVS	1
8	003-702430	DECAL FUEL/WATER FLTR MOD 2100	1
9	003-903278	DECAL FLOW REV DO NOT ADJ	1
10	003-702729	DECAL FUEL PRESS ARROW MOD 2100	1
11	003-700172	DECAL DO NOT ADJ	3
12	003-703332	TAPE RED REFLECTIVE 2IN	2 FT

Decals

Part No. 023-905851
Rev. 01 04-17-2023



**Central Mobile Enclosure
650 GTS Series
Decals**

S/N: 180001 -
S/N: Current
PAGE: 8.1.4

Item No.	Part No.	Description	Qty.
1	003-901162	DECAL NOT FOR LIFTING OR TIE DOWN	4
2	003-902460	DECAL GEN FUEL CONNECTIONS	1
3	003-903035	TAPE WHITE REFLECTIVE 2X12IN	4 FT
4	003-702653	DECAL DIFFUSION TAPE 1IN X 6IN	1
5	003-903036	TAPE RED6-WHITE6 REFLECTIVE 2IN	17 FT
6	003-904737	DECAL TANK MUST BE EMPTIED	1
7	003-905075	DECAL TERM STP HHNNN5-10 .531 SPCG	1
8	003-905289	DECAL BURNER LOCKOUT	1
9	003-906823	DECAL GND SYMBOL	1
10	003-906839	DECAL ATTN BNR COVER INSTALLED FRENCH ONLY	1
11	003-906842	DECAL DIESEL 2-1/2X1	2
12	003-905267	DECAL PROPANE 3X1-1/4	2
13	003-905268	DECAL NATURAL GAS 3X1-1/4	2

Decals

Part No. 023-905851
Rev. 01 04-17-2023



**Central Mobile Enclosure
650 GTS Series
Hose Reel Decals**

S/N: 180001 -
S/N: Current
PAGE: 8.1.5

Item No.	Part No.	Description	Qty.
1	003-702207	DECAL DANGER DO NOT OPERATE	2
2	003-702648	DECAL DANGER 110V	1
3	003-703323	DECAL MADE IN CANADA 1.5x3	1
4	003-902714	DECAL ELEC SCHEM HRA	1
5	003-902715	DECAL OPR INSTR HRA	1
6	003-903355	DECAL WARNING EXT CORD SHOCK	1
7	003-903397	DECAL EXT CORD USE	1
8	003-906374	DECAL DRYAIR 9-5/8L 1-1/2W NEW BLUE	1
9	003-906375	DECAL CNTRL FPLATE HRA NEW BLUE	1
10	003-906754	DECAL QR OP MAN HOSE REEL	1

Hose Reel Decals

Part No. 023-905851
Rev. 01 04-17-2023

