



Heat

Dry

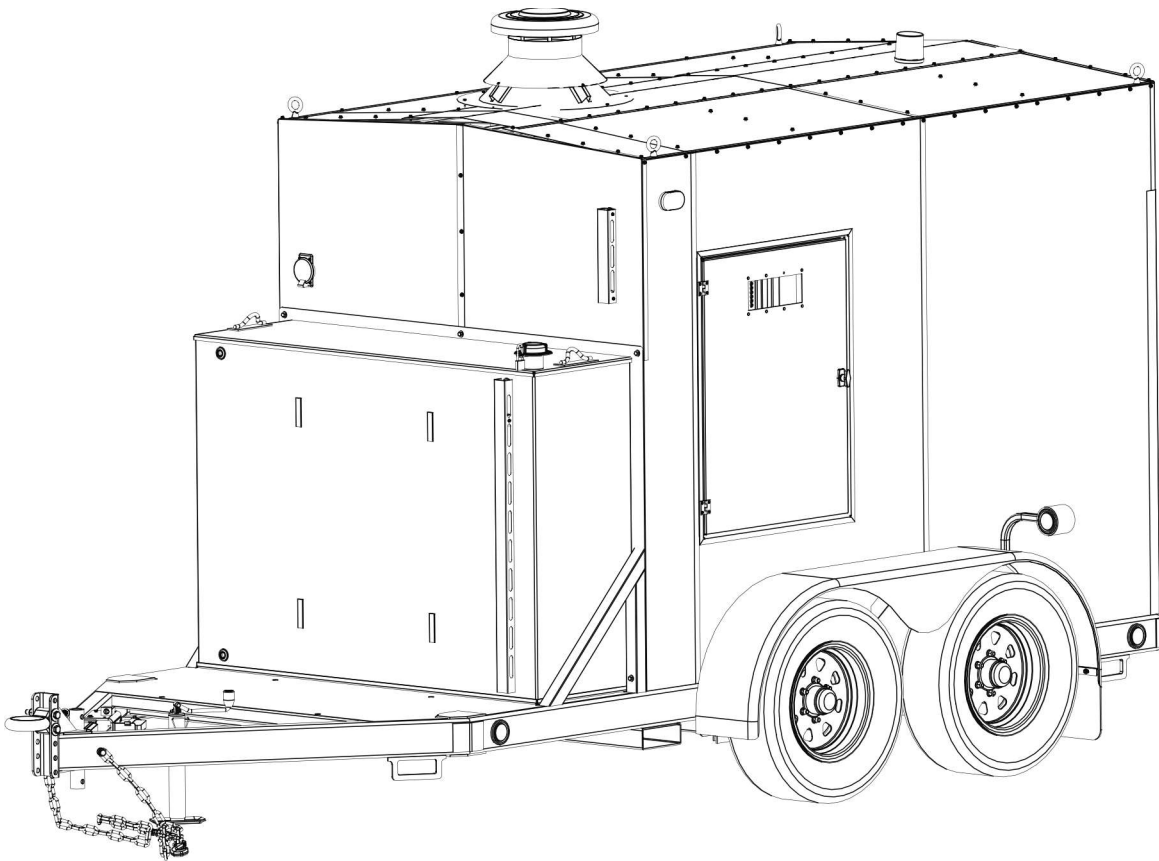
Thaw

Cure

# PARTS CATALOGUE

## Central Mobile Enclosure

### 900 GTS Series



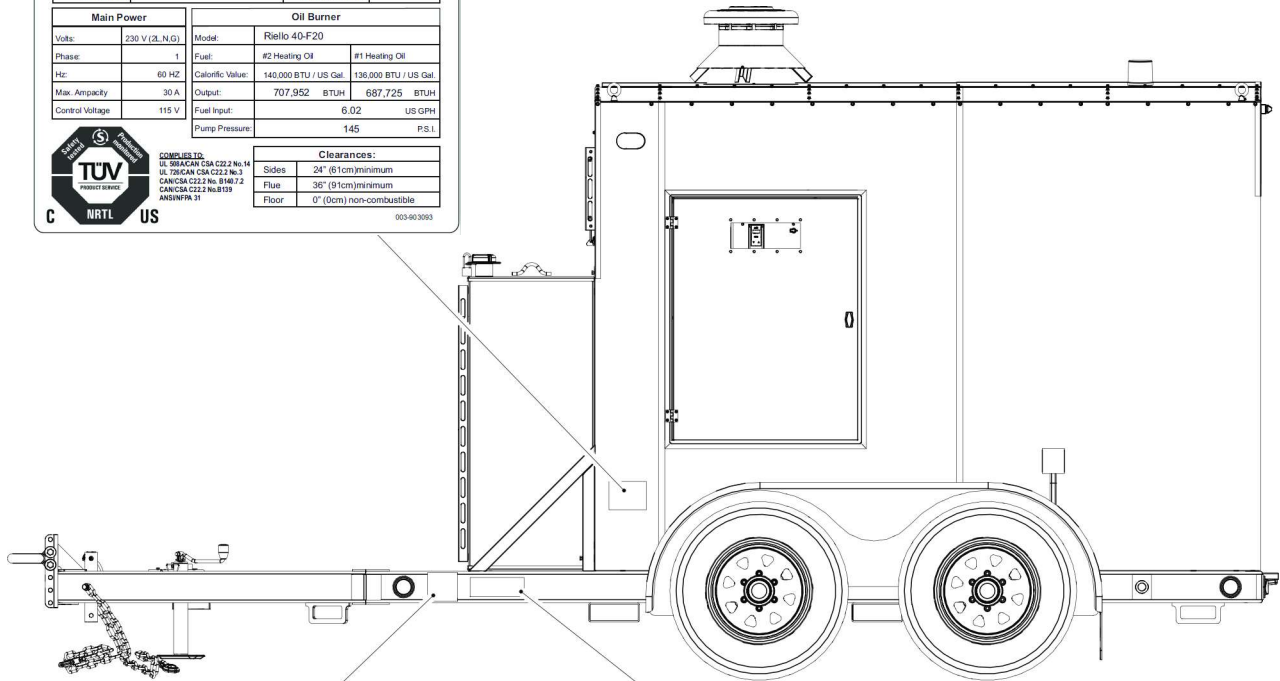
**DRYAIR MANUFACTURING CORP.**  
PO BOX 126, 400 SERVICE ROAD  
ST. BRIEUX, SK S0K 3V0  
CANADA  
[www.dryair.ca](http://www.dryair.ca)

Tel: 1 (306) 275-4848  
Toll-Free: 1 (888) 750-1700  
Fax: 1 (306) 275-4664  
Email: [parts@dryair.ca](mailto:parts@dryair.ca)



# Central Mobile Enclosure 900 GTS Series Serial Number Location

<b>DRYAIR</b>		P.O. Box 126 409 Service Road St. Brieux, SK Canada S0K 3V0		MADE IN CANADA	
DRYAIR Model: 900 GTS		Reference: _____			
Serial No.: _____		Prod. Sched.: _____			
<b>Main Power</b>		<b>Oil Burner</b>			
Volts:	230 V (3LN.G.)	Model:	Riello 4D-F20		
Phase:	1	Fuel:	#2 Heating Oil	#1 Heating Oil	
Hz:	60 HZ	Calorific Value:	140,000 BTU / US Gal.	136,000 BTU / US Gal.	
Max. Ampacity:	30 A	Output:	707,952 BTUH	687,725 BTUH	
Control Voltage:	115 V	Fuel Input:	6.02 US GPH		
		Pump Pressure:	145 P.S.I.		
		<b>Clearances:</b> Sides: 24" (61cm) minimum Flue: 36" (91cm) minimum Floor: 0" (0cm) non-combustible			
COMPLIES TO: UL 508 CAN/CSA C22.2 No. 14 UL 705 CAN/CSA C22.2 No. 3 CAN/CSA C22.2 No. 8140.7.2 CAN/CSA C22.2 No. 8109 ANSIPR 31		003-903093			



MANUFACTURED BY/FABRIQUÉ PAR:	DRYAIR MANUFACTURING CORP.
IMPORTED BY/IMPORTÉ PAR:	UPS SUPPLY CHAIN SOLUTIONS
DATE OF MANUFACTURE/ DATE DE FABRICATION:	
GVWR/PNEV	5450 KG (12000 LB)
GAWR FRONT/PNEB AVANT	2700KG (6,000 LB)
TIRES/PNEUS	ST225/75/R15 (D)
RMS/JAUNTES	T-15x6K
COLD TIRE INFL. SINGLE/GONFLAGE PNEU A FROID UNIQUE	448kPa (65 PSI)
GAWR REAR/PNEB ARRIERE	2700KG (6,000 LB)
TIRES/PNEUS	ST225/75/R15 (D)
RMS/JAUNTES	T-15x6K
COLD TIRE INFL. SINGLE/GONFLAGE PNEU A FROID UNIQUE	448 kPa (65PSI)
THIS VEHICLE CONFORMS TO ALL APPLICABLE FEDERAL MOTOR VEHICLE SAFETY STANDARDS IN EFFECT ON THE DATE OF MANUFACTURE SHOWN ABOVE. CE VÉHICULE CONFORME À TOUTES LES NORMES FÉDÉRALES DE LA SÉCURITÉ AUTOMOBILE EN VIGUEUR À LA DATE DE FABRICATION INDUITE CI-DESSUS.	
VN: 2DRUS629 S / NV: 2DRUS629 S	
TYPE: TRAILER / TYPE: REMORQUE	003-90661-002

MANUFACTURED BY/FABRIQUÉ PAR:	DRYAIR MANUFACTURING CORP. ST. BRIEUX, SK CANADA S0K 3V0 (306) 275-4848			
DATE:	_____			
GVWR/PNEV 5450KG				
GAWR/PNEB KG	TIRE/PNEU - DIMENSION - RIM/JANTE	COLD INFL. PRESS./ PRESS. DE GONFL À FROID PSI/LPC KPA		
1st 2700	ST225/75/R15 D	T-15 X 6K	65	448
2nd 2700	ST225/75/R15 D	T-15 X 6K	65	448
3rd				
V.I./N.I.V.: 2DRUS629 S				
TYPE OF VEHICLE/TYPE DE VÉHICULE: TRA/REM				
003-90664-001				



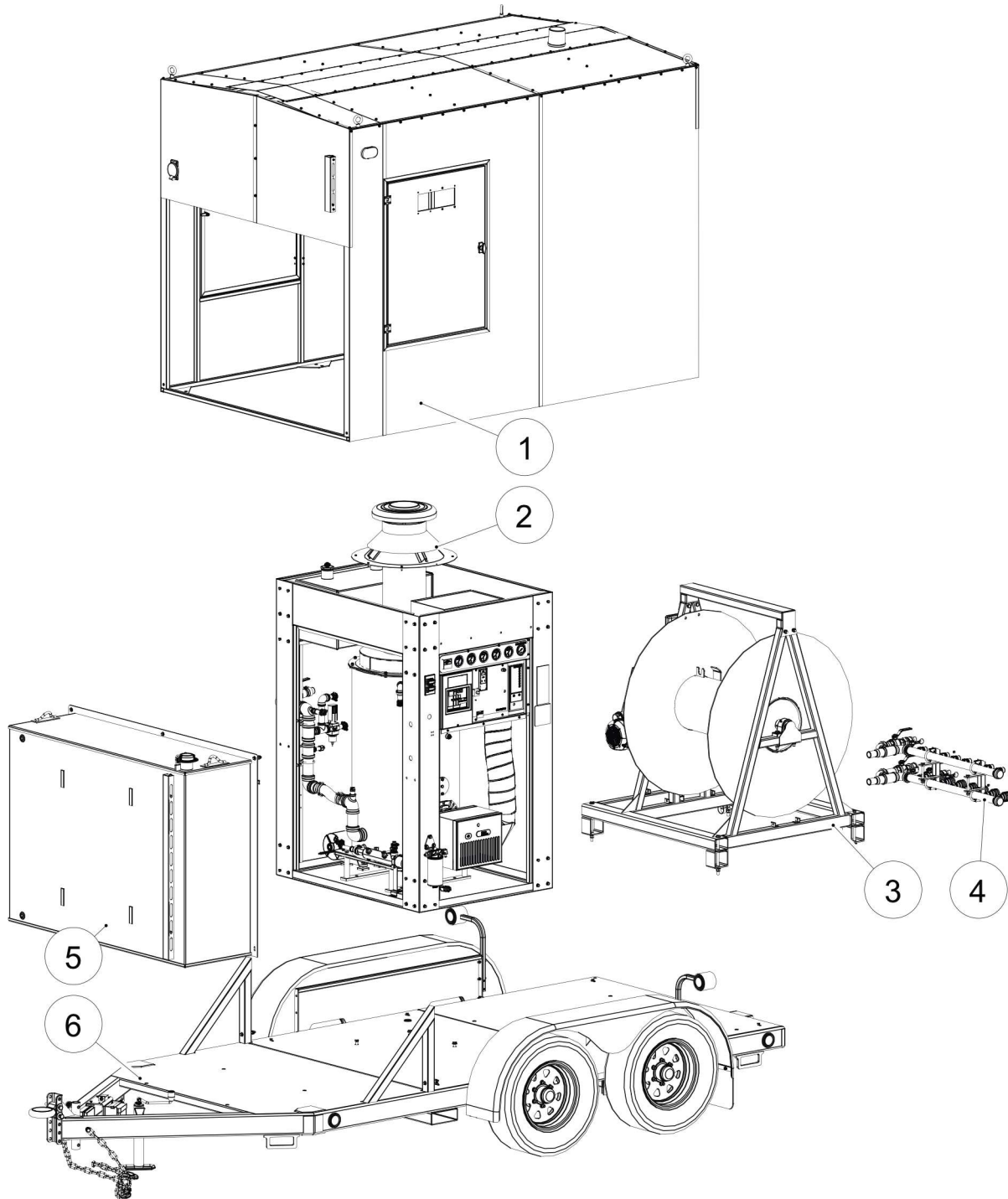
# Central Mobile Enclosure 900 GTS Series Table of Contents

Enclosure .....	1.1.1
Enclosure Panels .....	1.1.3
Door with Window .....	1.1.5
Door .....	1.1.7
Dover Door.....	1.1.9
Heat Exchanger Assembly .....	2.1.1
Enclosure .....	2.1.3
Heat Exchanger .....	2.1.5
Glycol Preheater .....	2.1.9
Control Panel .....	2.1.11
Air Preheater .....	2.1.13
Pump .....	2.1.15
Fuel Preheater .....	2.1.19
Burner .....	2.1.21
Glycol Tank .....	2.1.23
Supply Plumbing .....	2.1.25
Return Plumbing .....	2.1.27
Flow Reverser .....	2.1.29
Fill Hose .....	2.1.31
Chimney.....	2.1.33
Electrical .....	2.1.35
Hose Reel .....	3.1.1
Shield .....	3.1.3
Drive .....	3.1.5
Foot Pedal.....	3.1.7
Manifold .....	4.1.1
Fuel Tank.....	5.1.1
Trailer .....	6.1.1
Hoses and Fuel Lines .....	7.1.1
Decals .....	8.1.1



# Central Mobile Enclosure 900 GTS Series Master Assembly

S/N: 153501 -  
S/N: Current

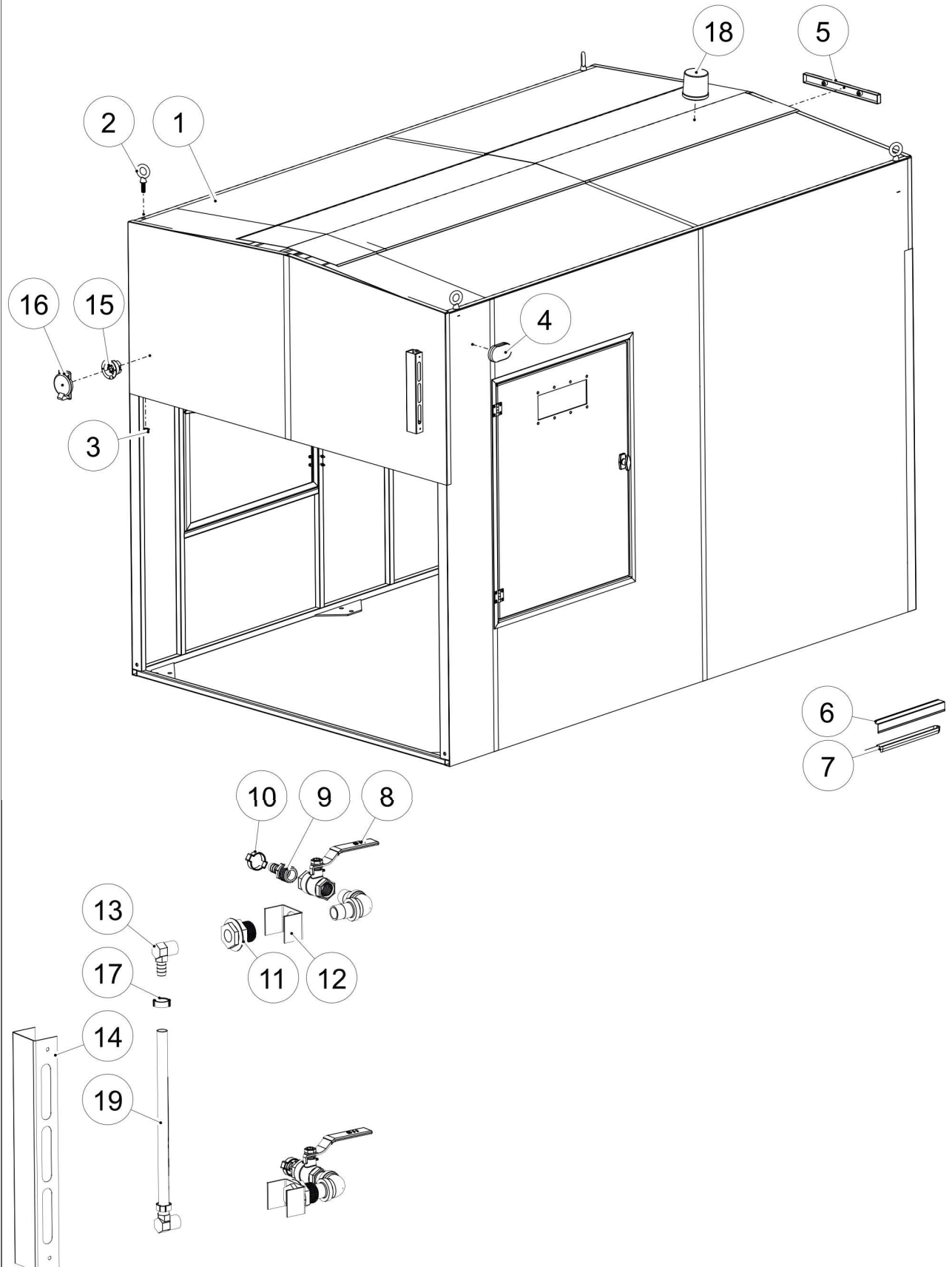




**Central Mobile Enclosure  
900 GTS Series  
Master Assembly**

S/N: 153501 -  
S/N: Current

Item No.	Part No.	Description	Page
1		ENCLOSURE - see page 1.1.1	
2		HEAT EXCHANGER - see page 2.1.1	
3		HOSE REEL - see page 3.1.1	
4		MANIFOLD - see page 4.1.1	
5		FUEL TANK - see page 5.1.1	
6		TRAILER - see page 6.1.1	

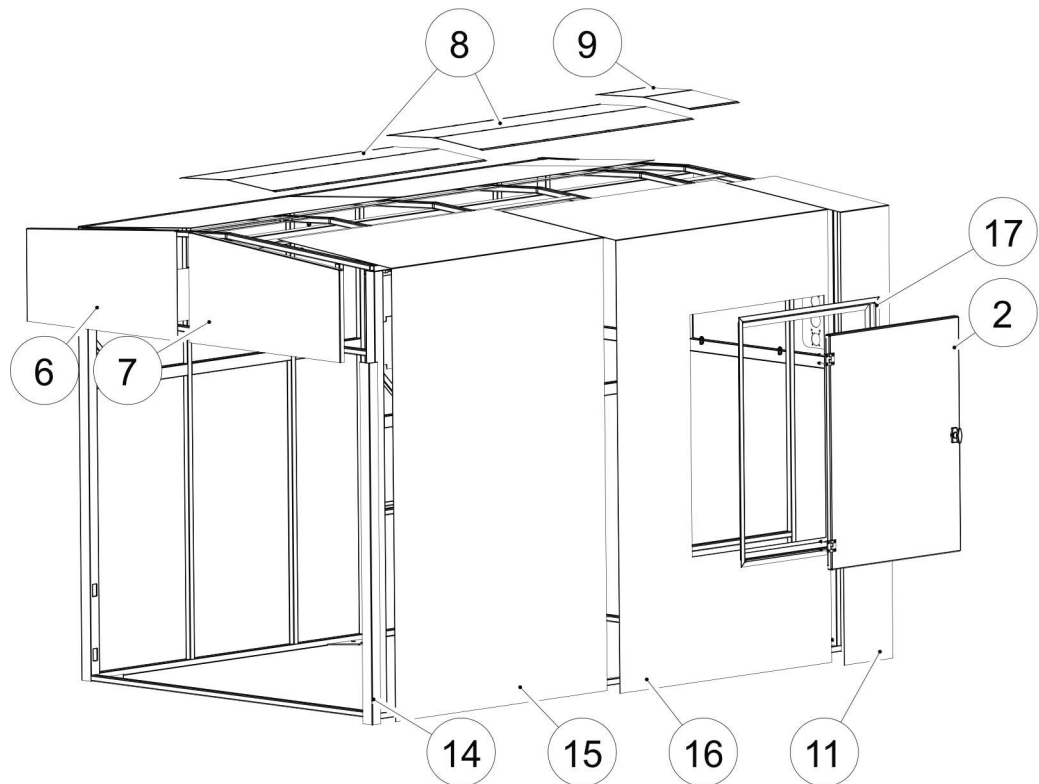
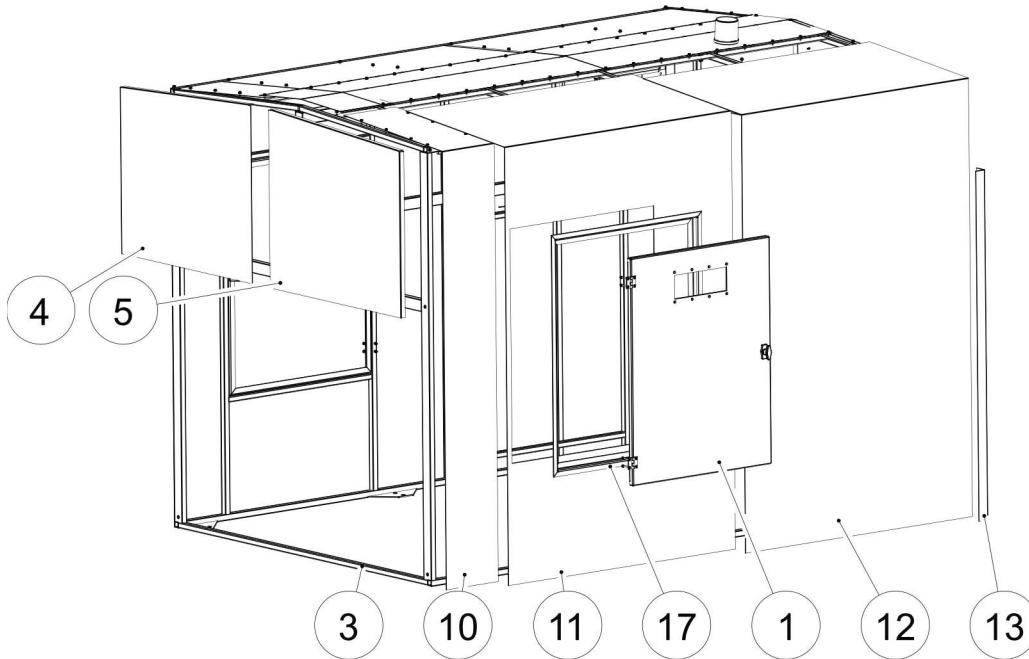




**Central Mobile Enclosure  
900 GTS Series  
Enclosure**

S/N: 153501 -  
S/N: Current  
PAGE: 1.1.2

Item No.	Part No.	Description	Qty.
1		PANELLING - see page 1.1.3	
2	001-900736	EYEBOLT 9/16 UNC X 1-3/4 PNTD BLK	4
3	001-900737	NUT LKG NYL 9/16 UNC PLD	4
4	002-900726	LIGHT CLEARANCE AMBER SURF MT	2
5	002-903029	LIGHT BAR RED 3 LIGHT LED	1
6	004-904505	PNL LIGHT DEFLECTOR FRT 16L	1
7	002-900724	LIGHT BAR LED SLIMLITE COURTESY	2
8	011-700115	VLV BALL 1/2 400WOG STD BRS CGA NPTF	2
9	011-702565	NIPL COMB 1/2NPTX1/2HB BRS	2
10	001-702552	CLP 2-EAR #22SS - 1/2ID HOSE	2
11	011-703047	FTG BHD CPLG BRS 1/2 FPT	2
12A	004-900742	MNT BRKT SIGHT GLASS SHIELD 600GTS	2
12B	004-901169	MNT BRKT SIGHT GLASS SHIELD 600GTS GRN	2
13	011-704699	NIPL COMB 1/2NPTX1/2HB 90DEG BRS	2
14A	004-900741	SIGHT GLASS SHIELD GLY TANK 600GTS	1
14B	004-901168	SIGHT GLASS SHIELD GLY TANK 600GTS GRN	1
15	002-900758	RCTP FLANGED INLET TWIST LOCK 30A 125/250V	1
16	002-900759	CVR RCPT FLANGED INLET TWIST LOCK W/P	1
17	001-702551	CLP 2-EAR #18SS - 3/8ID HOSE	2
18A	002-900727	LIGHT STROBE GREEN 120V (OBS: USE 002-906924)	1
18B	006-900930	BULB STROBE 129Z <small>Replacement bulb for 002-900727</small>	1
18C	002-906924	LIGHT STROBE LP3T-120G	1
18D	006-906925	LIGHT STROBE BULB LP3T-120G <small>Replacement bulb for 002-906924</small>	1
18E	006-906926	LIGHT STROBE GREEN CVR LP3T-120G <small>Replacement cover for 002-906924</small>	1
18F	006-906927	LIGHT STROBE MNT AND GSKT KIT LP3T-120G <small>Replacement mount and gasket for 002-906924</small>	1
19	001-700721	NUT LKG NYL 3/8 UNC PLD	6
		The following components may not be shown	
	001-700629	SCRW D/T 10-16X3/4 5/16HEX HD PLD	4
	001-700720	BOLT 3/8X1-1/2 PLD GR5	6
	001-700719	WSHR FLT 3/8 PLD	12
	016-900748	TUBING CLEAR 1/2ID VINYL	1
	001-704113	SCRW D/T #10X1-1/4 PAN HD/SQ SKT DR	4
	001-702337	SCRW MACH 10-24X1 PANHEAD	8
	001-703908	BOLT #10-24X3/4 UNC SS SHCS	6
	001-703909	WSHR FLT #10 SS	2
	001-703910	NUT LKG #10-24 SS UNC	15
	001-900723	SCRW #10X3/4 SELF DRILL W-NPRN	230



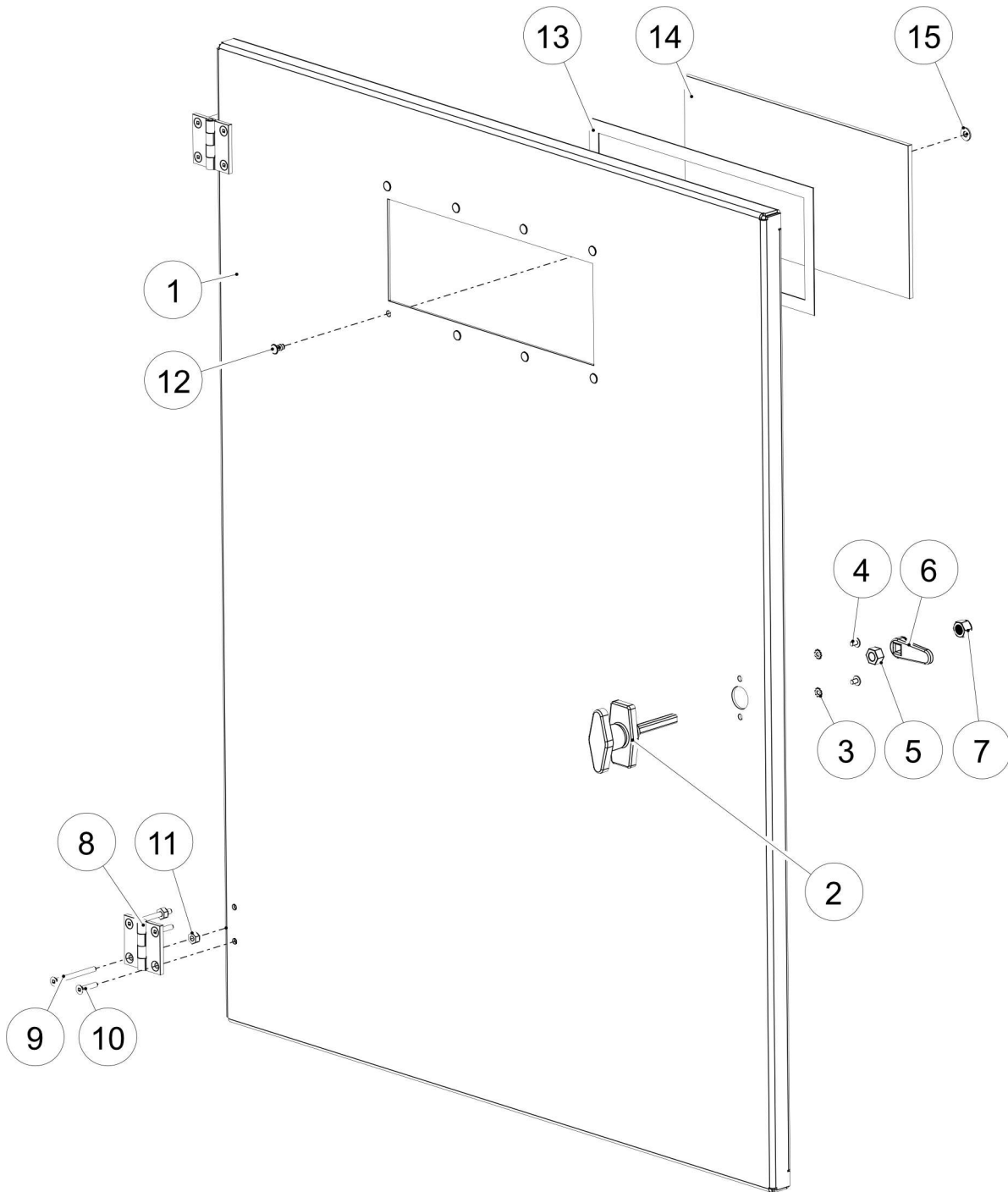




**Central Mobile Enclosure  
900 GTS Series  
Enclosure Panels**

S/N: 153501 -  
S/N: Current  
PAGE: 1.1.4

Item No.	Part No.	Description	Qty.
1		DOOR WITH WINDOW - see page 1.1.5	
2		DOOR - see page 1.1.7	
3	004-903007	FRAME ENCL 900GTS GREENTHAW	1
4	004-903313	PNL ENC FRT R 900GTS	1
	004-903320	PNL ENC FRT R 900GTS GRN	1
5	004-903314	PNL ENC FRT L 900GTS	1
	004-903321	PNL ENC FRT L 900GTS GRN	1
6	004-903318	PNL ENC REAR L TOP 900GTS	1
	004-903326	PNL ENC REAR L TOP 900GTS GRN	1
7	004-903317	PNL ENC REAR R TOP 900GTS	1
	004-903325	PNL ENC REAR R TOP 900GTS GRN	1
8	004-903323	PNL ENC ROOF CAP LONG 900GTS	2
	004-903329	PNL ENC ROOF CAP LONG 900GTS GRN	2
9	004-903324	PNL ENC ROOF CAP SHORT 900GTS	1
	004-903330	PNL ENC ROOF CAP SHORT 900GTS GRN	1
10	004-903322	PNL ENC SIDE FRT 900GTS	2
	004-903328	PNL ENC SIDE FRT 900GTS GRN	2
11	004-903311	PNL ENC SIDE L CNTR 900GTS	1
	004-903315	PNL ENC SIDE L CNTR 900GTS GRN	1
12	004-903319	PNL ENC SIDE L REAR 900GTS	1
	004-903327	PNL ENC SIDE REAR 900GTS GRN	1
13	004-902721	PNL ENC REAR CORNER L 600GTS	1
	004-903300	PNL ENC REAR CORNER L 600GTS GRN	1
14	004-902720	PNL ENC REAR CORNER R 600GTS	1
	004-903299	PNL ENC REAR CORNER R 600GTS GRN	1
15	004-903319	PNL ENC SIDE L REAR 900GTS	1
	004-903327	PNL ENC SIDE REAR 900GTS GRN	1
16	004-903312	PNL ENC SIDE R CNTR 900GTS	1
	004-903316	PNL ENC SIDE R CNTR 900GTS GRN	1
17	018-900772	ASSY FRAME DOOR SIDE 600-GTS	2

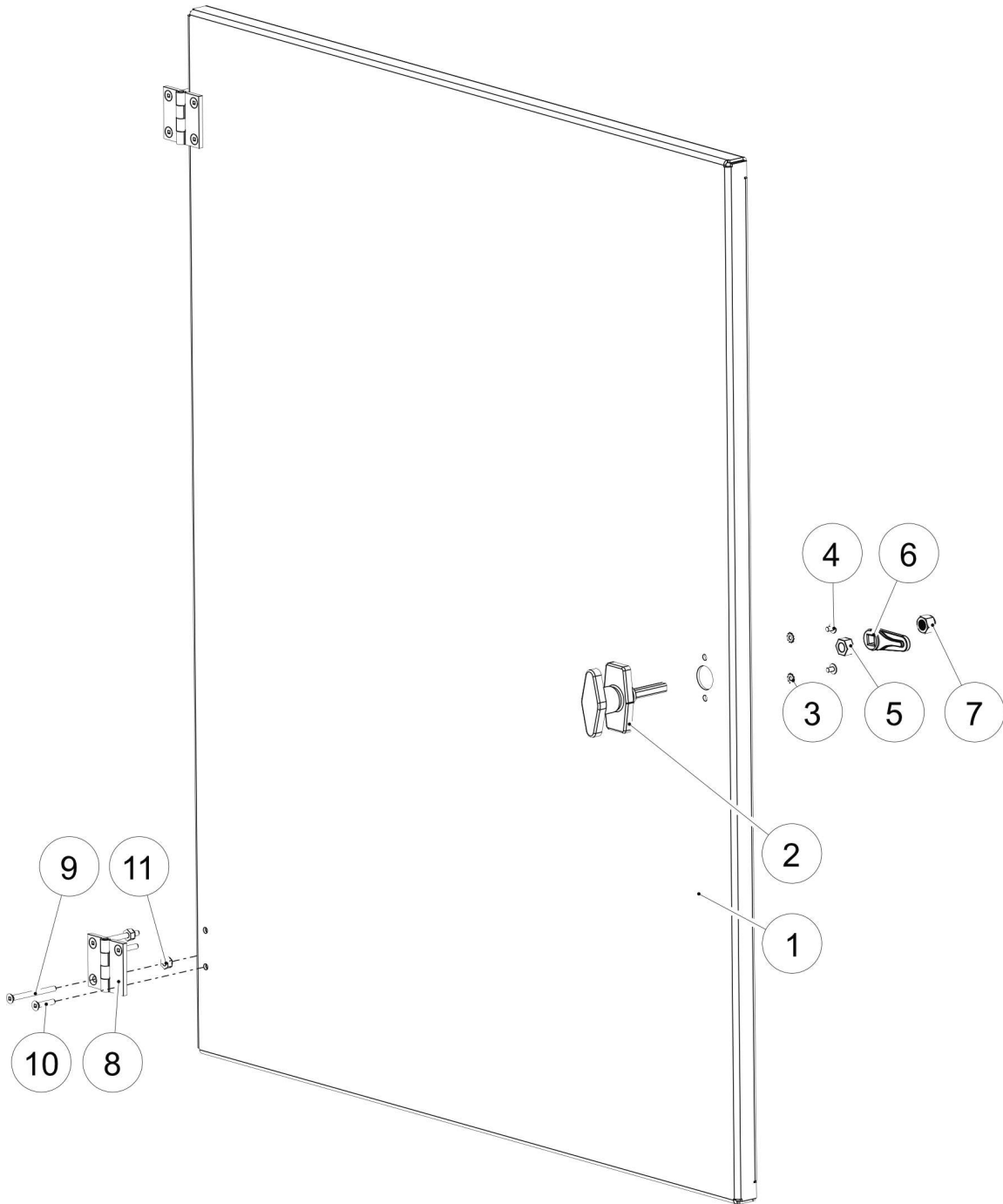




**Central Mobile Enclosure  
900 GTS Series  
Door with Window**

S/N: 153501 -  
S/N: Current  
PAGE: 1.1.6

Item No.	Part No.	Description	Qty.
	<b>018-900771</b>	<b>ASSY DOOR SIDE 600GTS CW WINDOW</b> (Includes 1-15)	<b>1</b>
	<b>018-901218</b>	<b>ASSY DOOR SIDE 600GTS CW WINDOW GRN</b> (Includes 1-15)	<b>1</b>
	<b>018-905857</b>	<b>PKG HNDL T-LKG SS T305-90 <u>KEY AH112</u> CW CAM &amp; NUT</b> (Includes 2-7 & Key)	<b>1</b>
	<b>018-905858</b>	<b>PKG HNDL T-LKG CHROME 2.5IN <u>KEY CH751</u> CW CAM &amp; NUT</b> (Includes 2-7 & Key)	<b>1</b>
1	004-900696	PNL DOOR 29-1/2X38-1/2	1
	004-901172	PNL DOOR 29-1/2X38-1/2 GRN	1
2A	017-704486	HNDL T-LKG SS T305-90 KEY 112	1
2B	017-904514	HNDL T-LKG CHROME 2.5IN THRD SHAFT CH751 KEY	1
3	001-900778	WSHR STAR #8 STUD EXT TOOTH	2
4	001-900779	SCRW MACH 8-32X1/4 PANHEAD	2
5	001-704695	NUT 3/8-24 UNF	1
6	017-704694	LOCK CAM C15 ZINC	1
7	001-903811	NUT LKG NYL 3/8 UNF 24THRD GR5 PLD	1
8	017-900607	HINGE SURFACE-MT 316 SS POLISHED 2H X 2W	2
9	001-906024	SCRW MACH 10-24X2L FLAT HD SS SQ DR	4
10	001-906025	SCRW MACH 10-24X3/4L FLAT HD SS SQ DR	4
11	001-703910	NUT LKG #10-24 SS UNC	8
12	001-901250	RIVET 3/16D X 1/2GRP ALUM	8
13	009-703960	TAPE 3M VHB-5925 2-SIDED 1/2W	1
14	004-900768	WINDOW-PNL POLYCARB 6X12X3/16	1
15	001-701185	WSHR FLT #10 SAE PLD	8
		The following components may not be shown	
	006-903096	KEY AH112 T LKG HNDL SS T305-90	
	006-904755	KEY CH751 T-LKG HNDL CHROME 4IN	

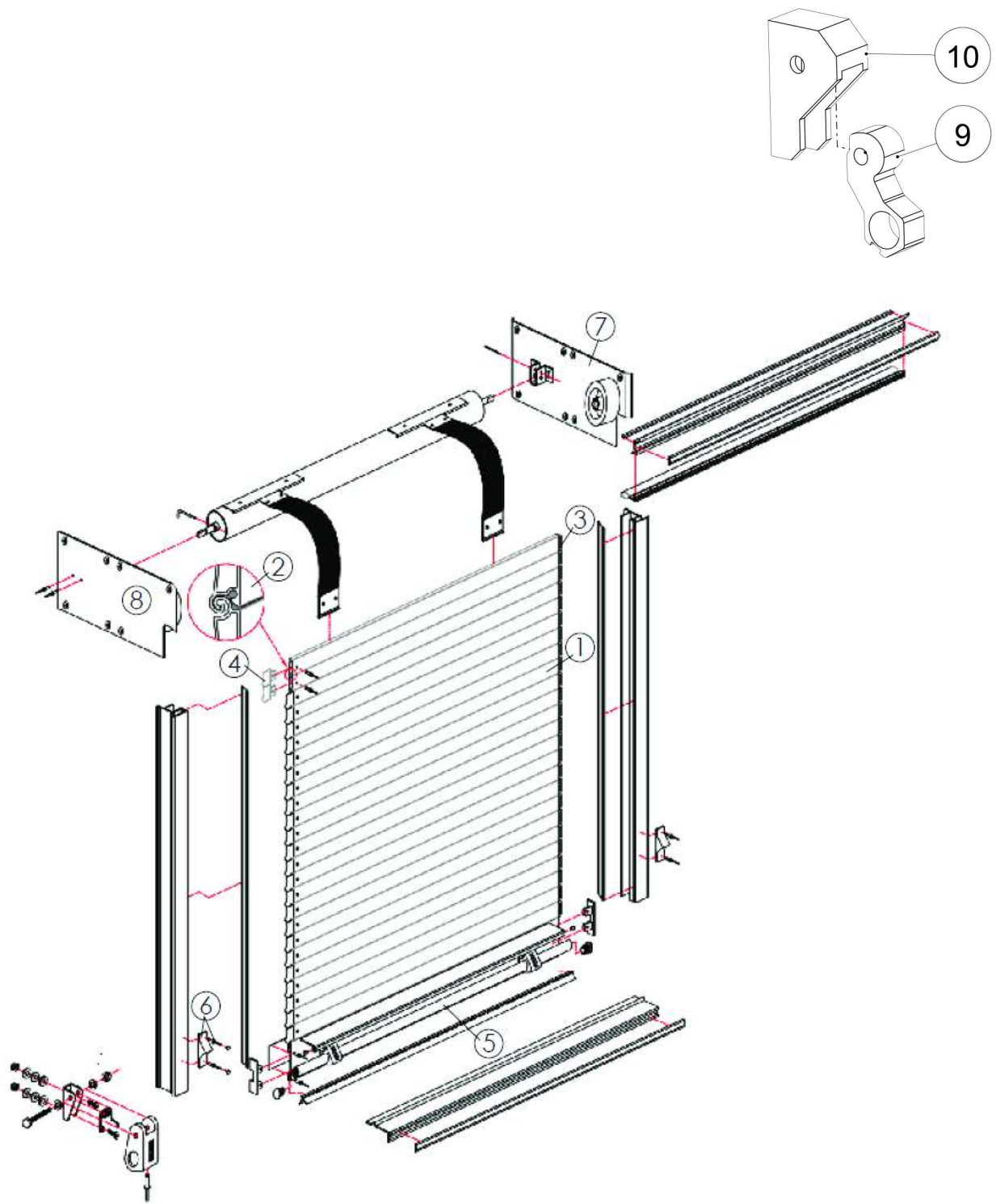




**Central Mobile Enclosure  
900 GTS Series  
Door**

S/N: 153501 -  
S/N: Current  
PAGE: 1.1.8

Item No.	Part No.	Description	Qty.
	<b>018-901216</b>	<b>ASSY DOOR SIDE 600-GTS</b> (Includes 1-11)	<b>1</b>
	<b>018-901217</b>	<b>ASSY DOOR SIDE 600GTS GRN</b> (Includes 1-11)	<b>1</b>
	<b>018-905857</b>	<b>PKG HNDL T-LKG SS T305-90 <u>KEY AH112</u> CW CAM &amp; NUT</b> (Includes 2-7 & Key)	<b>1</b>
	<b>018-905858</b>	<b>PKG HNDL T-LKG CHROME 2.5IN <u>KEY CH751</u> CW CAM &amp; NUT</b> (Includes 2-7 & Key)	<b>1</b>
1	004-900901	PNL DOOR 29-1/2X38-1/2 LESS WINDOW	1
	004-901173	PNL DOOR 29-1/2X38-1/2 LESS WINDOW GRN	1
2A	017-704486	HNDL T-LKG SS T305-90 KEY 112	1
2B	017-904514	HNDL T-LKG CHROME 2.5IN THRD SHAFT CH751 KEY	1
3	001-900778	WSHR STAR #8 STUD EXT TOOTH	2
4	001-900779	SCRW MACH 8-32X1/4 PANHEAD	2
5	001-704695	NUT 3/8-24 UNF	1
6	017-704694	LOCK CAM C15 ZINC	1
7	001-903811	NUT LKG NYL 3/8 UNF 24THRD GR5 PLD	1
8	017-900607	HINGE SURFACE-MT 316 SS POLISHED 2H X 2W	2
9	001-906024	SCRW MACH 10-24X2L FLAT HD SS SQ DR	4
10	001-906025	SCRW MACH 10-24X3/4L FLAT HD SS SQ DR	4
11	001-703910	NUT LKG #10-24 SS UNC	8
		The following components may not be shown	
	006-903096	KEY AH112 T LKG HNDL SS T305-90	
	006-904755	KEY CH751 T-LKG HNDL CHROME 4IN	

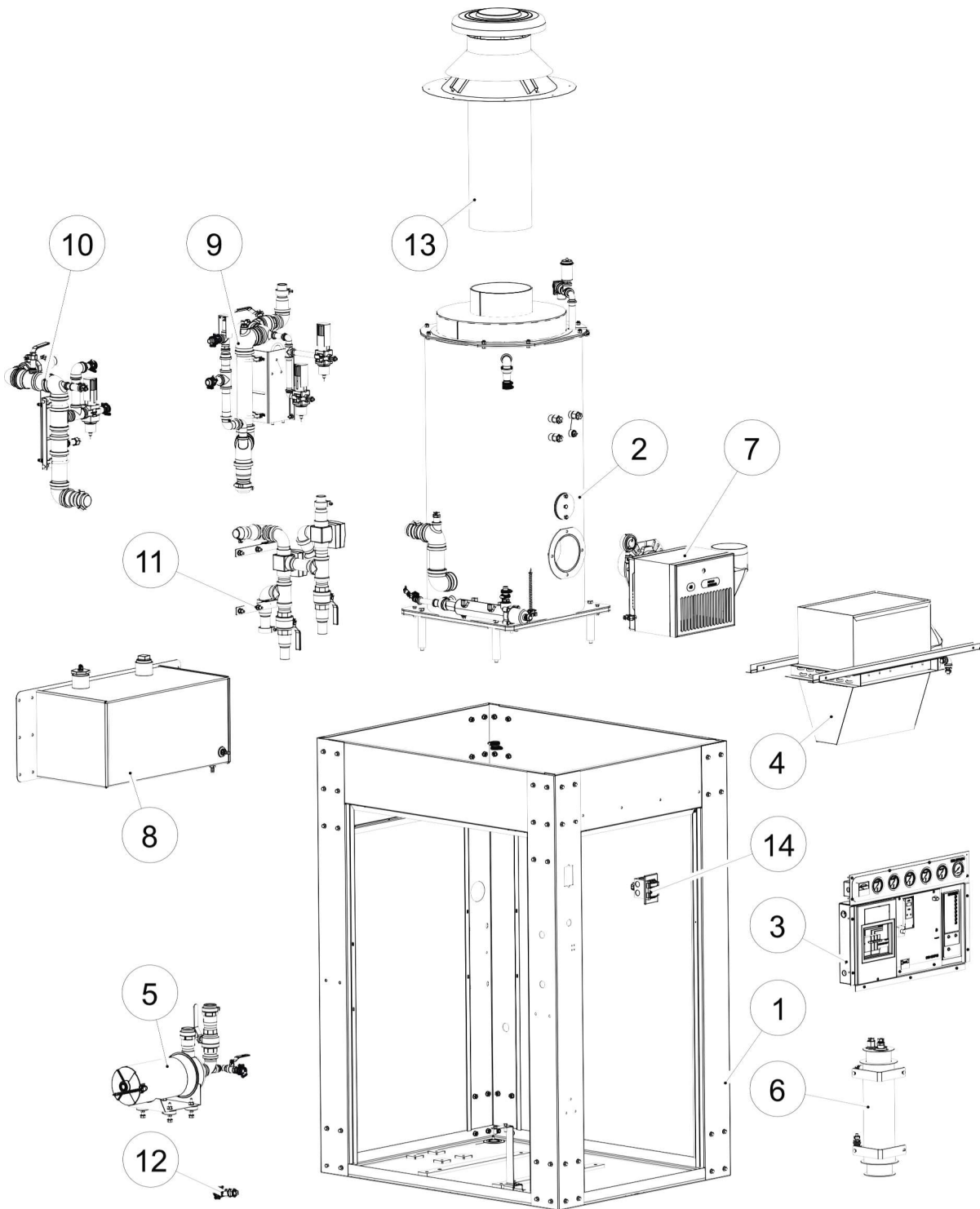




**Central Mobile Enclosure  
900 GTS Series  
Dover Door**

S/N: 153501 -  
S/N: Current  
PAGE: 1.1.10

Item No.	Part No.	Description	Qty.
	<b>012-900721</b>	<b>DOOR ROLLUP DOVER 64WX60H</b> (Includes all below)	<b>1</b>
1	006-902585	SLAT ANODIZED DOVER DOOR 62-3/8L	
2	006-902586	SEAL JOINT SLAT DOVER DOOR 62-3/8L	
3	006-902587	END CAP LEFT HAND SLAT DOVER DOOR	
4	006-902588	END CAP RIGHT HAND SLAT DOVER DOOR	
5	006-903208	HDL LOCK-BAR SS 7/8X63L DOVER DOOR GTS600	1
6	006-902590	STRIKER NYL BLK DOVER DOOR	2
7	006-902591	MNT RLR HEAD PLT DOVER DOOR LH	1
8	006-902592	MNT RLR HEAD PLT DOVER DOOR RH	1
9	006-905928	BAR LOCK HOLDER-PIVOT DOVER DOOR	2
10	006-905929	BAR LOCK COVER HOLDER DOVER DOOR	2
		The following components may not be shown	
	006-902593	GUIDE TRACK SIDE FIX LEFT DOVER DOOR	1
	006-902594	GUIDE TRACK SIDE FIX RIGHT DOVER DOOR	1
	006-902589	LOCK CAM 501 DOVER DOOR	
	006-903095	KEY CH501 DOVER ROLLUP DOOR	



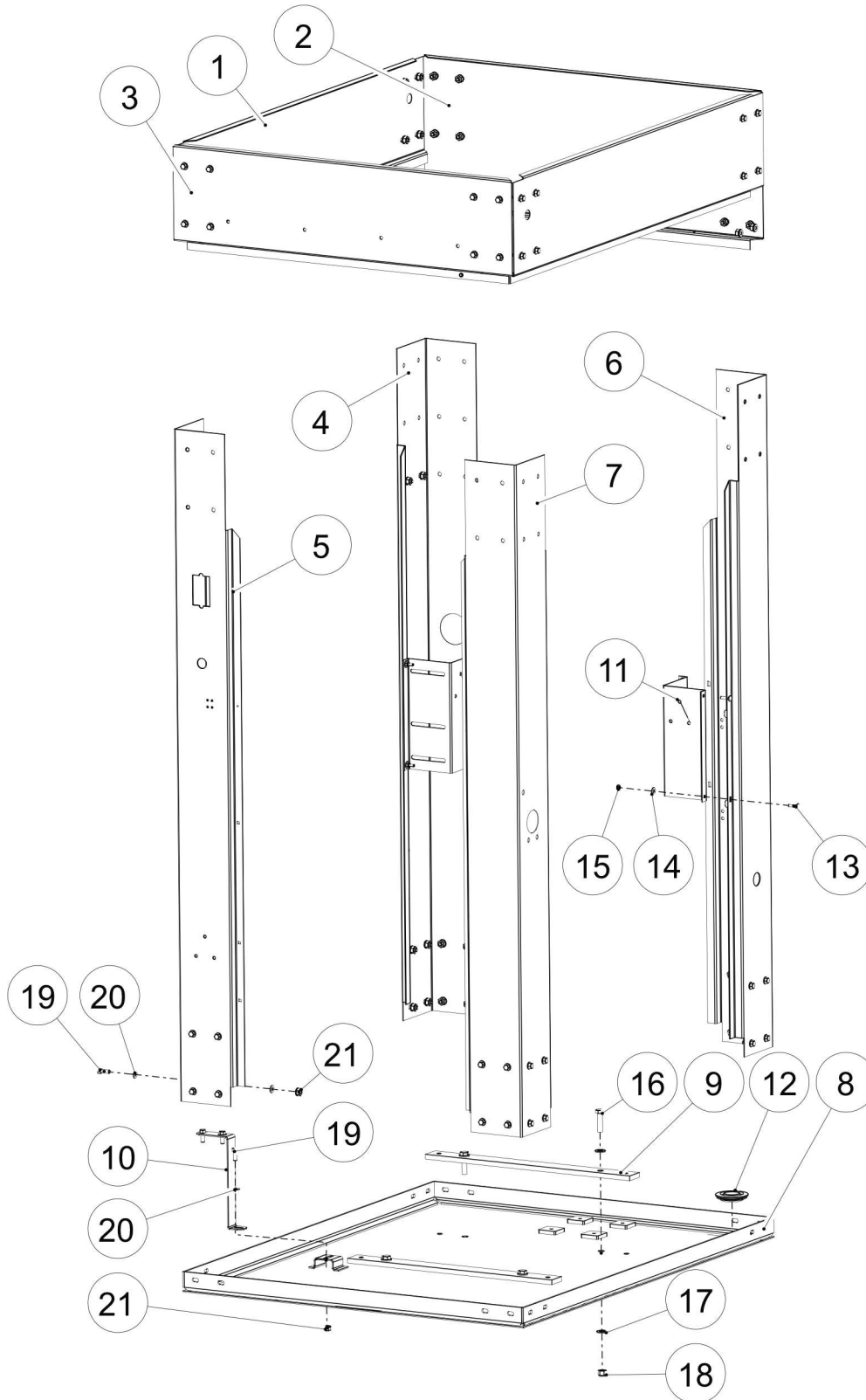




**Central Mobile Enclosure  
900 GTS Series  
Heat Exchanger Assembly**

S/N: 153501 -  
S/N: Current  
PAGE: 2.1.2

Item No.	Part No.	Description	Qty.
1		HEAT EXCHANGER ENCLOSURE - see page 2.1.3	
2		HEAT EXCHANGER - see page 2.1.5	
3		CONTROL PANEL - see page 2.1.11	
4		AIR PREHEATER - see page 2.1.13	
5		PUMP - see page 2.1.15	
6		FUEL PREHEATER - see page 2.1.19	
7		BURNER - see page 2.1.21	
8		GLYCOL TANK - see page 2.1.23	
9		SUPPLY PLUMBING - see page 2.1.25	
10		RETURN PLUMBING - see page 2.1.27	
11		FLOW REVERSER - see page 2.1.29	
12		MISC PLUMBING - see page 2.1.31	
13		CHIMNEY - see page 2.1.33	
14		ELECTRICAL - see page 2.1.35	

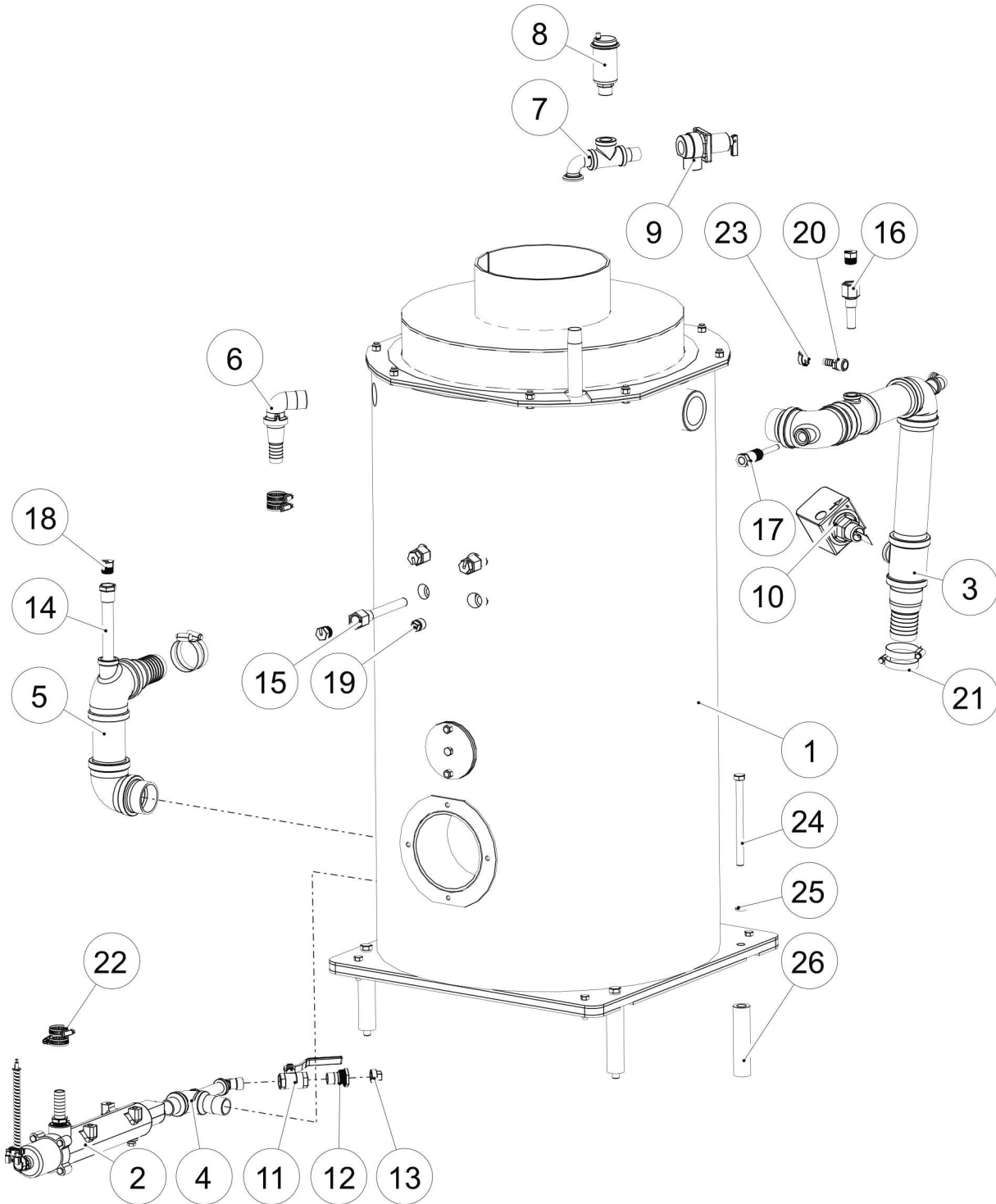




**Central Mobile Enclosure  
900 GTS Series  
Enclosure**

S/N: 153501 -  
S/N: Current  
PAGE: 2.1.4

Item No.	Part No.	Description	Qty.
1	004-702469	PNL SIDE TOP RAIL MOD 2100-0900 CAB R01	2
2	004-702468	PNL REAR TOP RAIL MOD 2100 CAB R01	1
3	004-702467	PNL FRT TOP RAIL MOD 2100 CAB R01	1
4	004-702465	CORNER POST LEFT REAR MOD 2100-0900 CAB R02	1
5	004-702463	CORNER POST LEFT FRT MOD 2100-0900 CAB R01	1
6	004-702464	CORNER POST RIGHT REAR MOD 2100-0900 CAB R01	1
7	004-903020	CORNER POST RIGHT FRONT 2100-0900GTS	1
8	004-902120	BASE MOD 2100-900GTS	1
9	004-900482	TAB MOUNT 1/2X2X24 1/2-UNC HOLE	2
10A	004-902835	BRKT MNT CIRC HTR 9-5/8L C/W SLOT	1
10B	004-702738	BRKT MNT CRC HTR 10-3/4L MOD 2100	1
11	004-702479	BRKT PLMB MOUNT MOD 2100-0900 CAB R01	2
12	009-700157	GROM 2.1X3.25 RBR PIPE 2	1
13	001-701423	BOLT CRG 1/4X1 PLTD	8
14	001-700129	WSHR FLT 1/4 PLD	8
15	001-700042	NUT LKG NYL 1/4 UNC PLD	8
16	001-700474	BOLT 1/2X2 PLD GR5	4
17	001-700100	WSHR FLT 1/2 PLT PLD	4
18	001-701606	NUT LKG NYL 1/2 UNC PLD	4
19	001-700804	BOLT 3/8X1 PLD GR5	75
20	001-700742	WSHR FLT 5/16 PLD	148
21	001-700721	NUT LKG NYL 3/8 UNC PLD	73





**Central Mobile Enclosure  
900 GTS Series  
Heat Exchanger**

S/N: 153501 -  
S/N: Current  
PAGE: 2.1.6

Item No.	Part No.	Description	Qty.
	<b>018-903071</b>	<b>PKG HEAT EXCH MOD 2100-0900GTS</b> (Includes 1-9, 11-17, 19,20)	<b>1</b>
1		HEAT EXCHANGER - see page 2.1.7	
2		GLYCOL PREHEATER - see page 2.1.9	
3	018-702714	PKG PLMB SPLY FROM HEAT EXCH MOD 2100-0900	1
4	018-702543	PKG PLMB CRCLT HTR INLET MOD 2100 R01	1
5	018-702719	PKG PLMB RETURN INTO HEAT EXCH MOD 2100-0900	1
6	018-702542	PKG PLMB CRCLT HTR OUTLET MOD 2100	1
7	018-702803	PKG PLMB PRESS RLF/AIR PURGE MOD 2100	1
8	011-702995	AIR VENT AUTO 3/4NPT 150PSI 240DEG F	1
9	006-700879	VLV SAFETY PRESS RLF 60PSI 3/4X3/4	1
10	006-700778	CNTRL FLOW MULT PADDLE	1
11	011-700115	VLV BALL 1/2 400WOG STD BRS CGA NPTF	1
12	011-700404	CPLR FEM GARD THD 1/2XSWVL NPTM	1
13	011-704470	PLUG GARDEN HOSE MALE BRS	1
14	005-700204	WELL F/AVTA/B 3/4 BRS BULB	1
15	005-702593	WELL THERM BRS 6-1/4IN .385 BORE 1/2IN NPT	3
16	005-702592	WELL THERM BRS 4-3/8IN .385 BORE 1/2IN NPT	1
17	005-704272	WELL THERM BULB ASSY 1/2IN NPT	1
18	005-702757	NUT SPLIT WELLCAP 3/4FINE THREAD	6
19	011-702702	PLUG BRS 1/2 NPT SQ HD	1
20	011-702565	NIPL COMB 1/2NPTX1/2HB BRS	1
21	001-700337	CLP HOSE HS32 2-1/2 SLTD HEX HD SS	4
22	001-700275	CLP HOSE HAS16 SLTD HEX HD SS	4
23	001-702552	CLP 2-EAR #22SS - 1/2ID HOSE	1
24	001-900903	BOLT 1/2X6-1/2 GR8 UNC PLD	4
25	001-700938	WSHR LOCK 1/2 PLD	4
26	004-704340	LEG HEAT EXCHANGER BLK	4

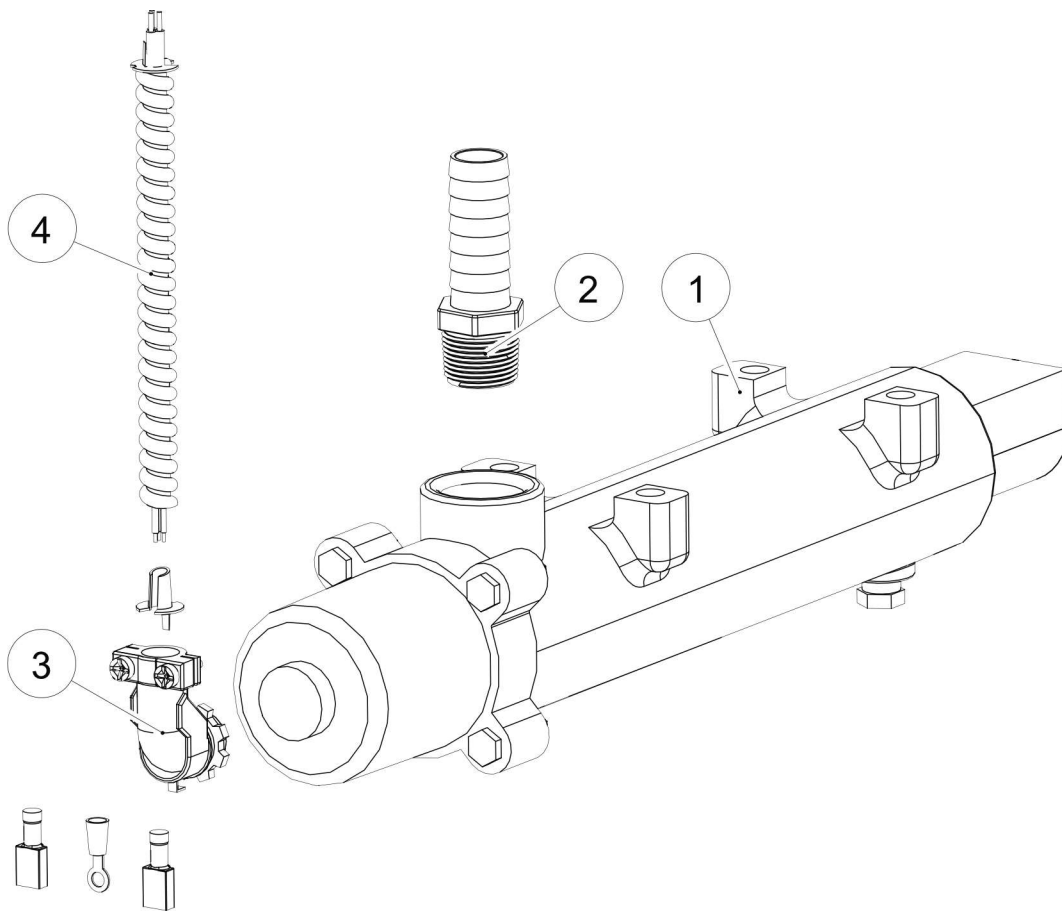




**Central Mobile Enclosure  
900 GTS Series  
Heat Exchanger**

S/N: 153501 -  
S/N: Current  
PAGE: 2.1.8

Item No.	Part No.	Description	Qty.
	<b>004-702440</b>	<b>HEAT EXCHANGER FUEL-TO-GLY MOD 2100-0900</b> (Includes 1-15)	<b>1</b>
1	004-704334	HEAT EXCHANGER 900	1
2	004-904382	INSUL WRAP 2100-0900 HEAT EXCHANGER	1
3	004-704335	COV TOP 900 HEAT EXCHANGER	1
4	004-704338	PC 1/2 A36 SPCR BOTTOM HEAT EXCHANGER	1
5	004-704339	PC 3/16 A36 COV BOTTOM HEAT EXCHANGER	1
6	021-704341	INSUL HEAT RESIST 19-7/8IN OD 2IN THK	1
7	021-704342 015-903693	GSKT HEAT RESIST 1/4x1 CLKG STV/GSKT CEMENT (2000 DEG F) (Recommended with above)	6FT
8	021-704343 015-903693	GSKT HEAT RESIST 3/4IN DIA CLKG STV/GSKT CEMENT (2000 DEG F) (Recommended with above)	6FT
9	004-905094	BAFFLE 16GA A569 2100 LONG HEAT EXCHANGER	46
10	004-704337 010-702802	ASSY INSP COV HEAT EXCHANGER GSKT DURLON 4-1/4INB DIA (Recommended with above)	1
11	001-700434	BOLT 3/8X3/4 PLD GR5	2
12	001-700804	BOLT 3/8X1 PLD GR5	9
13	001-700890	NUT 3/8 PLD	2
14	001-700720	BOLT 3/8X1-1/2 PLD GR5	4
15	001-700721	NUT LKG NYL 3/8 UNC PLD	12
		The following components may not be shown	
	001-702508	TAPE FSK 3IN X 150FT	



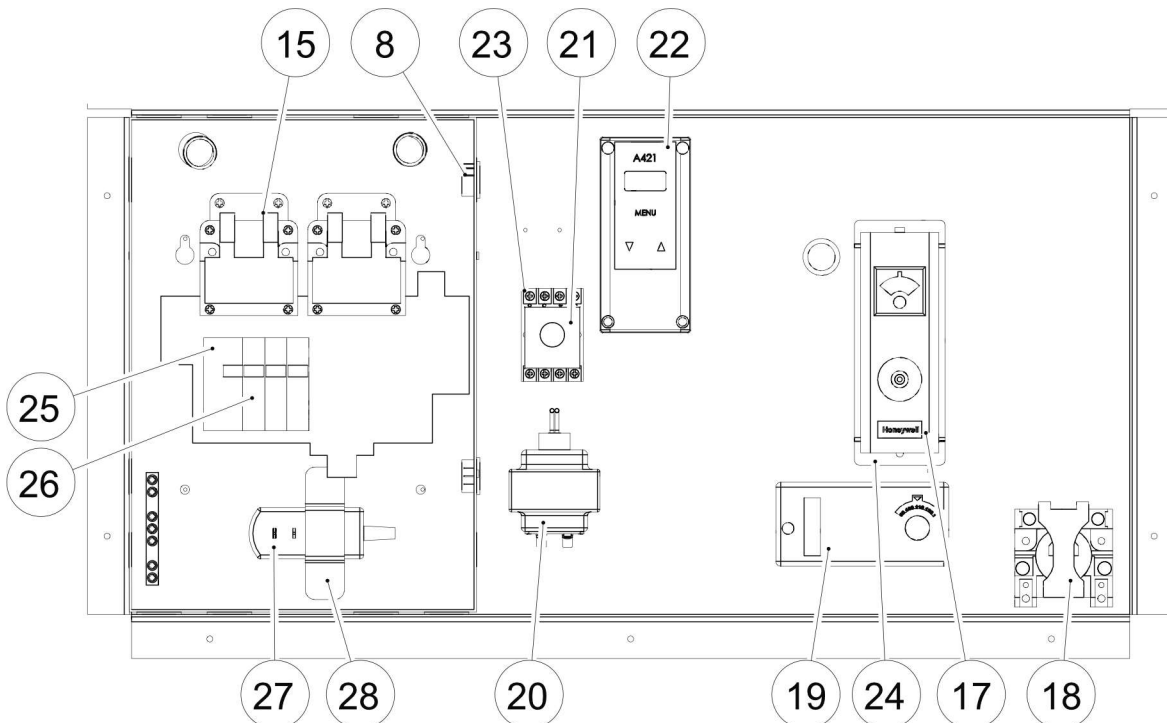
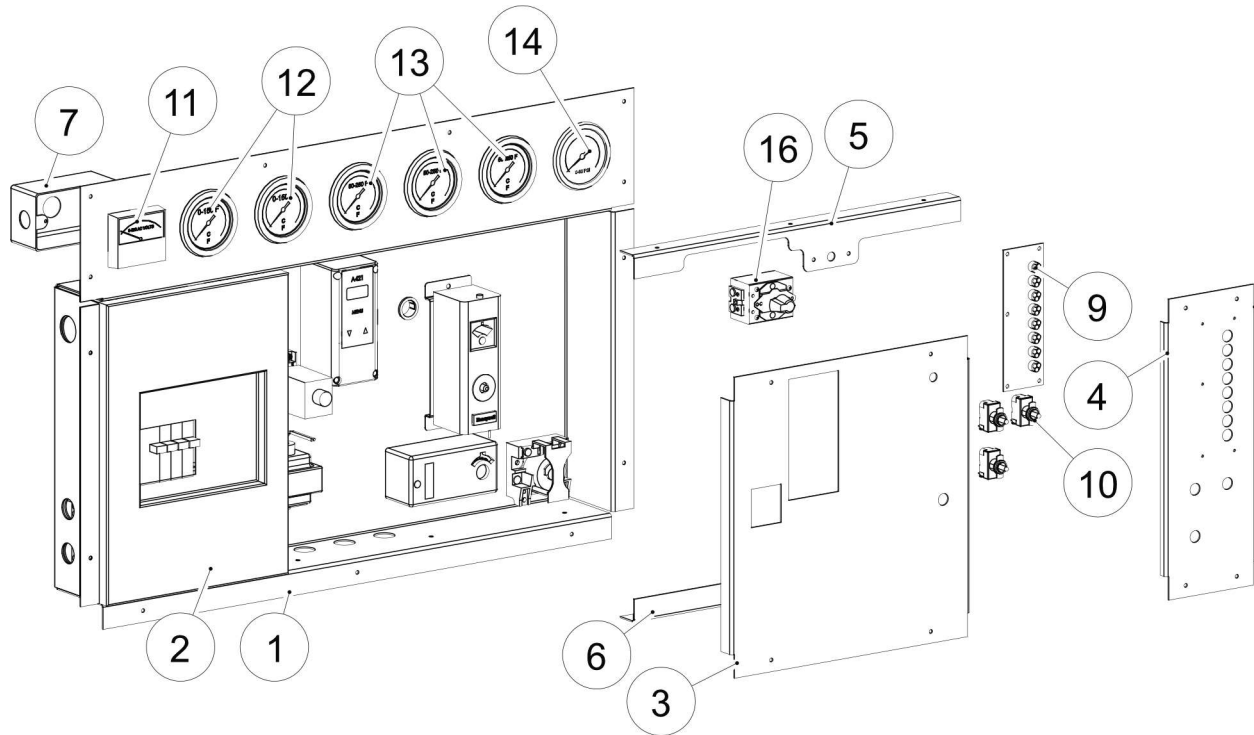




**Central Mobile Enclosure  
900 GTS Series  
Glycol Preheater**

S/N: 153501 -  
S/N: Current  
PAGE: 2.1.10

Item No.	Part No.	Description	Qty.
1	012-702513	HEATER CRCLT 4000W 240V	1
2	011-702701	NIPL COMB 3/4NPTX3/4HB BRS	1
3	002-800025	CONNECTOR 3/8 90DEG BX/FLEX	1
4	002-702843	CONDUIT FLEX/AL 3/8	1
		The following components may not be shown	
	006-702894	ELEMENT CRCLT HTR 4000W 240V	1

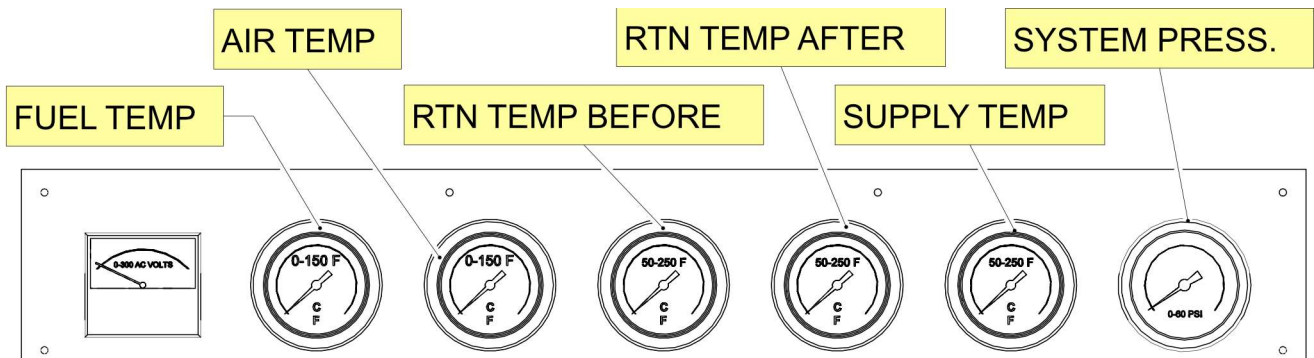




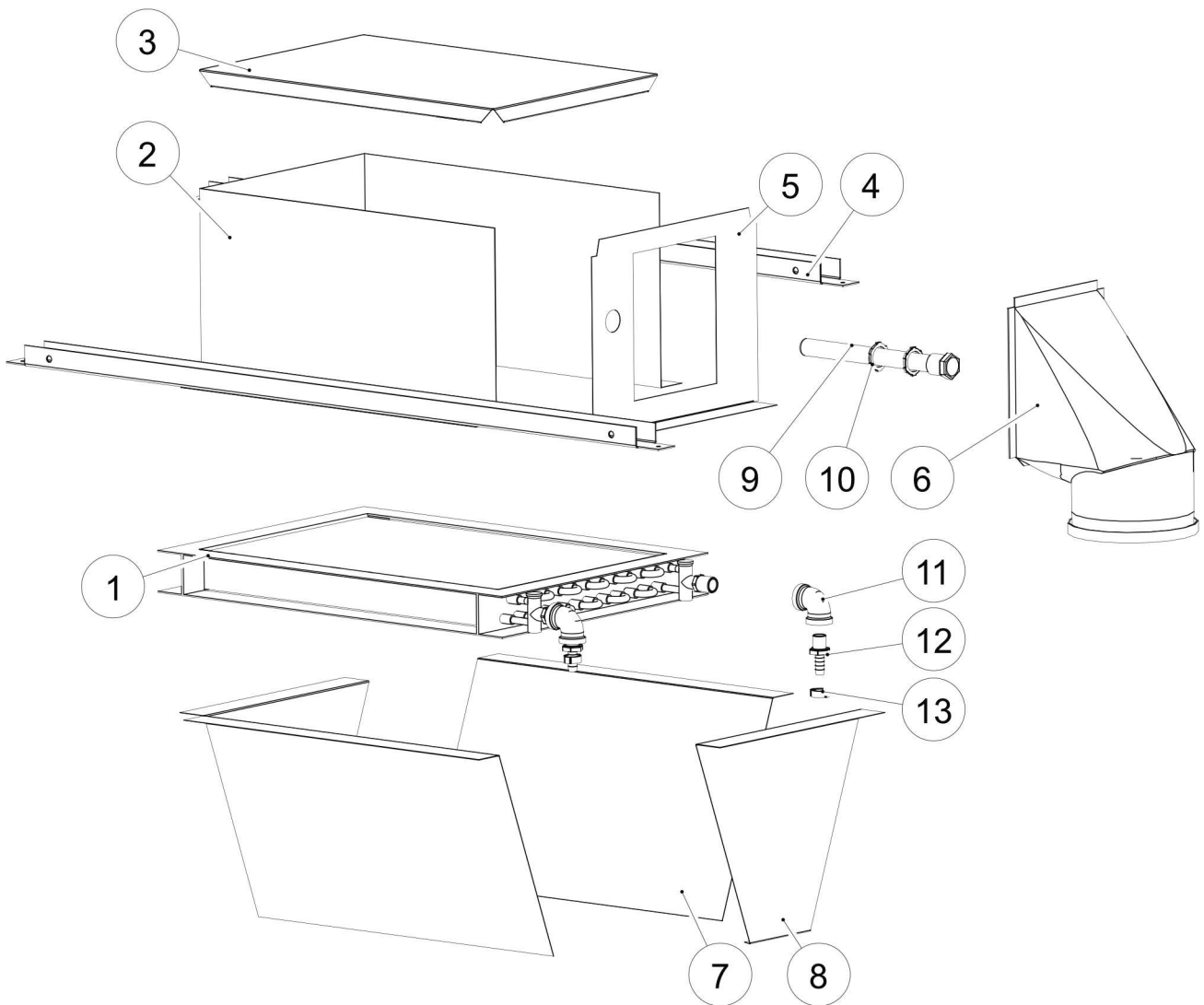
## Central Mobile Enclosure 900 GTS Series Control Panel

S/N: 153501 -  
S/N: Current  
PAGE: 2.1.12

Item No.	Part No.	Description	Qty.
1	004-900670	BOX CTRL PNL MOD 2100-600-GTS	1
2	002-800029	BOX PNL Q06121L100TS SQ-D	1
3	004-900671	PNL CVR CTRL PNL MOD 2100-600-GTS	1
4	004-900672	PNL CVR LED/SW MOD 2100-600-GTS	1
5	004-702482	BRKT TOP CTRL PNL MOD 2100 R01	1
6	004-702483	BRKT BOT CTRL PNL MOD 2100 CAB R01	1
7	002-800031	BOX HANDY 4X2 1/2KO	1
8	002-701115	BSHG KO 1/2	6
9	005-702514	BOARD LED 6GRN-110V 2RED-24V	1
10	002-701359	SW TGL SPST 20A 125V SCR W TERM	3
11	005-702512 006-703482	GAUGE VOLT PNL 0-300V (Includes Resistor) RESISTOR RCD K3-261 10W 27 KJ	1
12	005-702509	GAUGE TEMP 60IN CPLRY 0-150 DEG F	2
13	005-701073	GAUGE TEMP 60IN CPLRY 40-240DEG F WIKA	3
14	005-703489	GAUGE PRESS 0-60PSI PNL 2-1/2IN WIKA	1
15	002-800038	RELAY 120V DPDT 30A/240V	2
16A	006-701532	HI-LIMIT G1-11452 (1223)	1
16B	006-904930	KNOB HI LIMIT PLASTIC 1-1/4 HEAD 8-32 SET SCREW	1
17	006-702140	CNTRL HI LIMIT MAN RESET	1
18	002-702466	RELAY 24V SPST-NC 30A/300V	1
19	005-703464	CONT TEMP JOHNSON (25-225F) SPDT	1
20	006-701213	XFMR 40VA 120V 60HZ 24V CLASS 2	1
21	005-900673	TIMER ELEC 8 PIN ADJ RCYCL IDEC RTE-P1AF20	1
22	005-903333 018-903385	CONT TEMP <b>A421</b> ABC-02C -40 TO 212F If replacing CONT TEMP <b>A419</b> use Part No. 018-903385 (A419 OBSOLETE)	1
23	005-900674	SOCKET 8 PIN DIN/SURFACE MNT SCREW TERM	1
24	004-900665	BRKT H LIM MOD2100-600-GTS	1
26	002-800040	BRKR PLUG-ON 15A SP	3
25	002-800066	BRKR PLUG-ON 15A 2P	1
27	002-903025	XFMR 120VAC/12VDC 2000MA	1
28	004-906027	BRKT MNT 12VDC XFMR FLUSH-MNT 1-15/16 L	1
The following components may not be shown			
	011-701175	CPRSN FTG CON 1/4TX1/4 FPT	1
	001-700629	SCRW D/T 10-16X3/4 5/16HEX HD PLD	8
	005-900675	CLP HOLD DOWN ELEC TIMER	2
	005-906611	SNSR TEMP JOHNSON A99BB-200C 6-1/2FT LENGHT	1



**Control Panel**

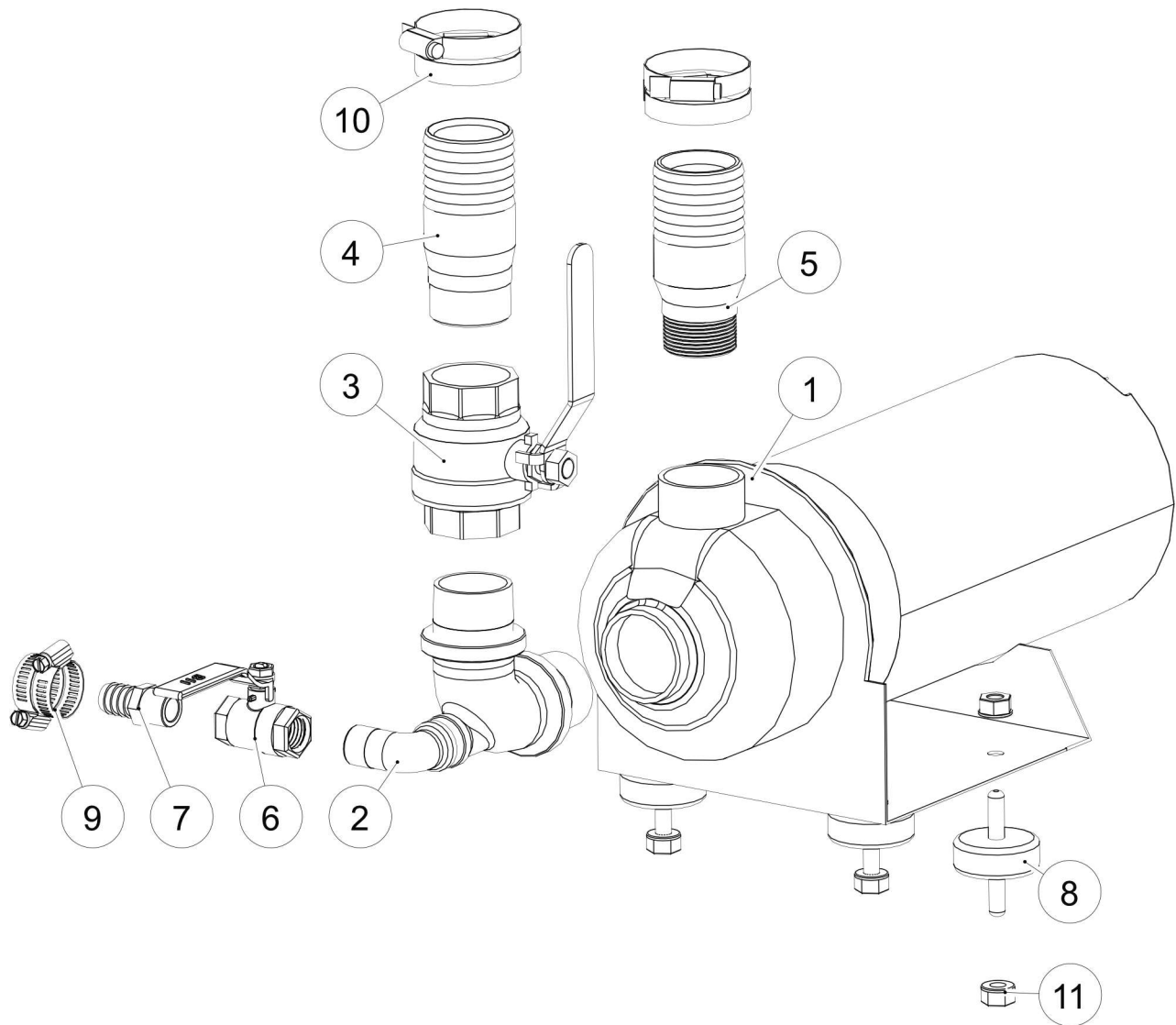




**Central Mobile Enclosure  
900 GTS Series  
Air Preheater**

S/N: 153501 -  
S/N: Current  
PAGE: 2.1.14

Item No.	Part No.	Description	Qty.
1	012-702504	COIL AIR PREHEAT 12X18X2 ROW-8 FPI 1/2IN MPT	1
2	004-702901	PNL BODY UPR DUCT AIR PRE-HTR MOD 2100	1
3	004-702903	PNL TOP UPR DUCT AIR PRE-HTR MOD 2100	1
4	004-702480	BRKT MNT PHTR AIR 2100 CAB R01	2
5	004-702902	PNL END UPR DUCT AIR PRE-HTR MOD 2100	1
6	004-702520	DUCT TOP TAKE OFF 6 IN	1
7	004-702904	PNL SIDE LWR DUCT AIR PRE-HTR MOD 2100	2
8	004-702905	PNL END LWR DUCT AIR PRE-HTR MOD 2100	2
9	005-700204	WELL F/AVTA/B 3/4 BRS BULB	1
10	002-701133	LOCKNUT 3/4 STL CONDUIT	2
11	011-702608	ELB 1/2X90DEG BRS NPTF	2
12	011-702563	NIPL COMB 1/2NPTX3/8HB BRS	2
13	001-702551	CLP 2-EAR #18SS - 3/8ID HOSE	2
		The following components may not be shown	
	001-700629	SCRW D/T 10-16X3/4 5/16HEX HD PLD	12

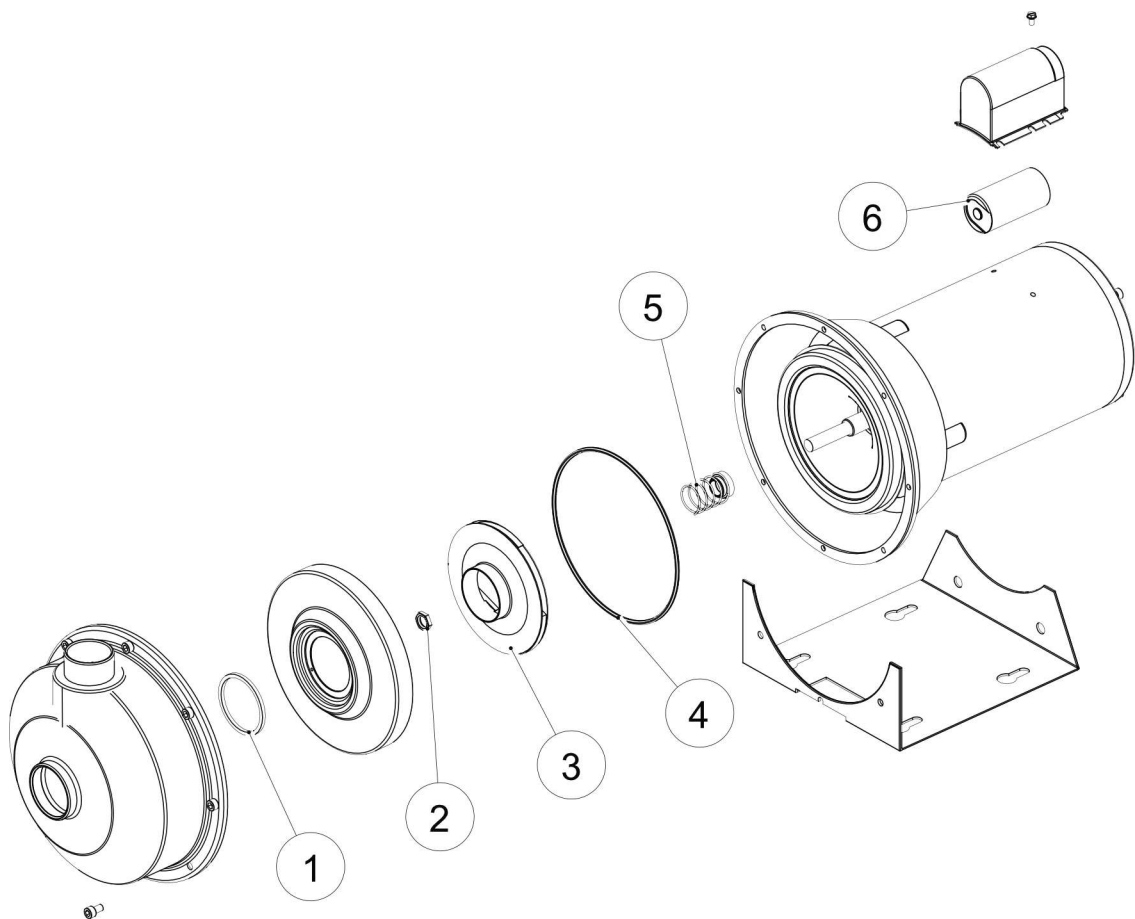




**Central Mobile Enclosure  
900 GTS Series  
Pump**

S/N: 153501 -  
S/N: Current  
PAGE: 2.1.16

Item No.	Part No.	Description	Qty.
1	012-800055	PUMP - see page 2.1.17	1
2	018-902787	PKG PLMB PUMP INLET MOD 2100-0900-GTS	1
3	011-700580	VLV BALL 1-1/2 400WOG FL PT BRS CGA NPTF	1
4	011-700598	NIPL COMB 1-1/2X2 BLK PIPE (PNTD BLK)	1
5	011-702056	NIPL COMB 1-1/4NPTX2HB PNTD BLK	1
6	011-700115	VLV BALL 1/2 400WOG STD BRS CGA NPTF	1
7	011-704508	NIPL COMB 1/2NPTx3/4HB BRS	1
8	001-702461	MNT VIB NEOPRENE 3/8X1 THRD 2IN DIA X 3L	4
9	001-701890	CLP HOSE 1-1/4 SIZE 12	2
10A	001-700337	CLP HOSE HS32 2-1/2 SLTD HEX HD SS	4
10B	001-901471	CLP HOSE HEAVY-DUTY 59-63MM <small>Recommended</small>	2
11	001-700721	NUT LKG NYL 3/8 UNC PLD	8
		The following components may not be shown	
	002-800025	CONNECTOR 3/8 90DEG BX/FLEX	1







# Central Mobile Enclosure 900 GTS Series Pump

S/N: 153501 -  
S/N: Current  
PAGE: 2.1.18

Item No.	Description	Part No.				
		012-800052 3/4 HP	012-800053 1 HP	012-905311 2 HP	012-800055 2 HP	012-702751 3 HP
1	SEAL RING GUIDEVANE G & L PUMP	006-703027	006-703008			
2	LOCKNUT IMPELLER G & L PUMP	006-703026				
3	IMPELLER G & L PUMP	006-703028	006-703029	006-703007	006-703030	006-703031
4	O-RING CASING G & L PUMP	006-703006				
5	SEAL MECH G & L PUMP	006-703005				
6A	CAPACITOR PUMP GOULDS	006-701171	006-702799	006-701171		006-703468
6B	CAPACITOR RUN PUMP GOULDS <small>CAPACITOR RATING: 60µF 370V</small>					006-906552
6C	CAPACITOR RUN PUMP GOULDS W/ NIDEC MOTOR <small>CAPACITOR RATING: 40µF 370V</small>					006-906922
6D	CAPACITOR START PUMP GOULDS W/ NIDEC MOTOR <small>CAPACITOR RATING: 233-280µF 165V</small>					006-906923
6E	CAPACITOR PUMP GOULDS W/ NIDEC MOTOR <small>CAPACITOR RATING: 189-227µF 110V</small>	006-906943				

REFER TO PUMP MOTOR NAME PLATE EXAMPLES PRIOR TO ORDERING CAPACITORS

### NIDEC MOTOR NAME PLATE EXAMPLE

		CUST. NO. E09954BBS	
CAT. NO.	MODEL	INS F	AMB 40 °C PH 1 CODE E
TC635WCWB-1534			
OTHER PROTECTED	AUTO	ENC	ODP
		FRAME	56J
		DUTY	CONT
		DATE CODE	
		PROT. CODE	00240

60 HZ DATA	50 HZ DATA
3 HP	3 HP
3450 RPM	2850 RPM
208-230 VOLTS	220-230 VOLTS
14.0-13.0 F.L.A.	14.0-15.0 F.L.A.
1.15 S.F.	1.0 S.F.
16.0-14.0 S.F.A.	N/A S.F.A.

MOTOR IS NON-REVERSIBLE  
COW ROTATOR (START END)

SUPPLY CONNECTIONS USE WIRES SIZED  
ON THE BASIS OF EFFICIENCY AND  
RATED MINIMUM 50°C

CE IP22

SUITABLE FOR FIELD WIRING. USE COPPER CONDUCTORS ONLY

**WARNING:** MOTOR MUST BE GROUNDED IN ACCORDANCE WITH LOCAL AND NATIONAL ELECTRIC CODES. COMPONENT COVER MUST BE IN PLACE BEFORE OPERATING TO PREVENT ELECTRICAL SHOCK OR INJURY

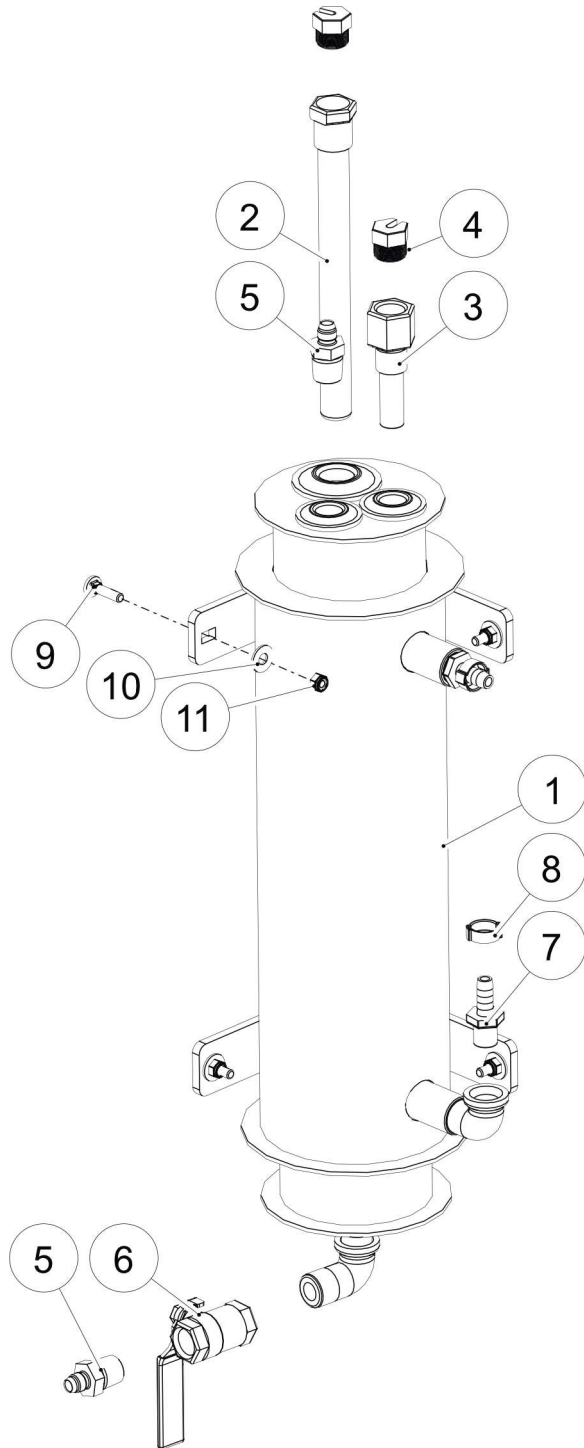
### WEG, BLUFFTON MOTOR NAME PLATE EXAMPLE

		MAT 153502Z SERIAL 107319461	
HZ	60	HZ	50
V	115/208-230 V	V	115/230 V
HP	0.75	HP	0.75
RPM	3450	RPM	2875
FLA	9.2/4.6-4.6	FLA	12.2/6.1
SF	1.5	SF	1.00
SFA	12.0/6.5-6.0	SFA	
FR	56J	PH	1
INS	B	TYPE	U
ENC	DP	TEMP	40°C
CONT	CONT (S1)	REF	E05C12A1EB6G
INS	B	CAT	
ENC	DP		
CERT ID	4103007456		
DSN	22H0111 8		

WARNING: Always disconnect motor from power supply before servicing. Fatal shock may result if motor frame and adjacent metal are not grounded in compliance with electrical code.

THERMALLY PROTECTED AUTOMATIC RESET  
Motor will restart without warning after protector trips. Do not install this motor on equipment where automatic startup could result in injury.

© 15/157 241536

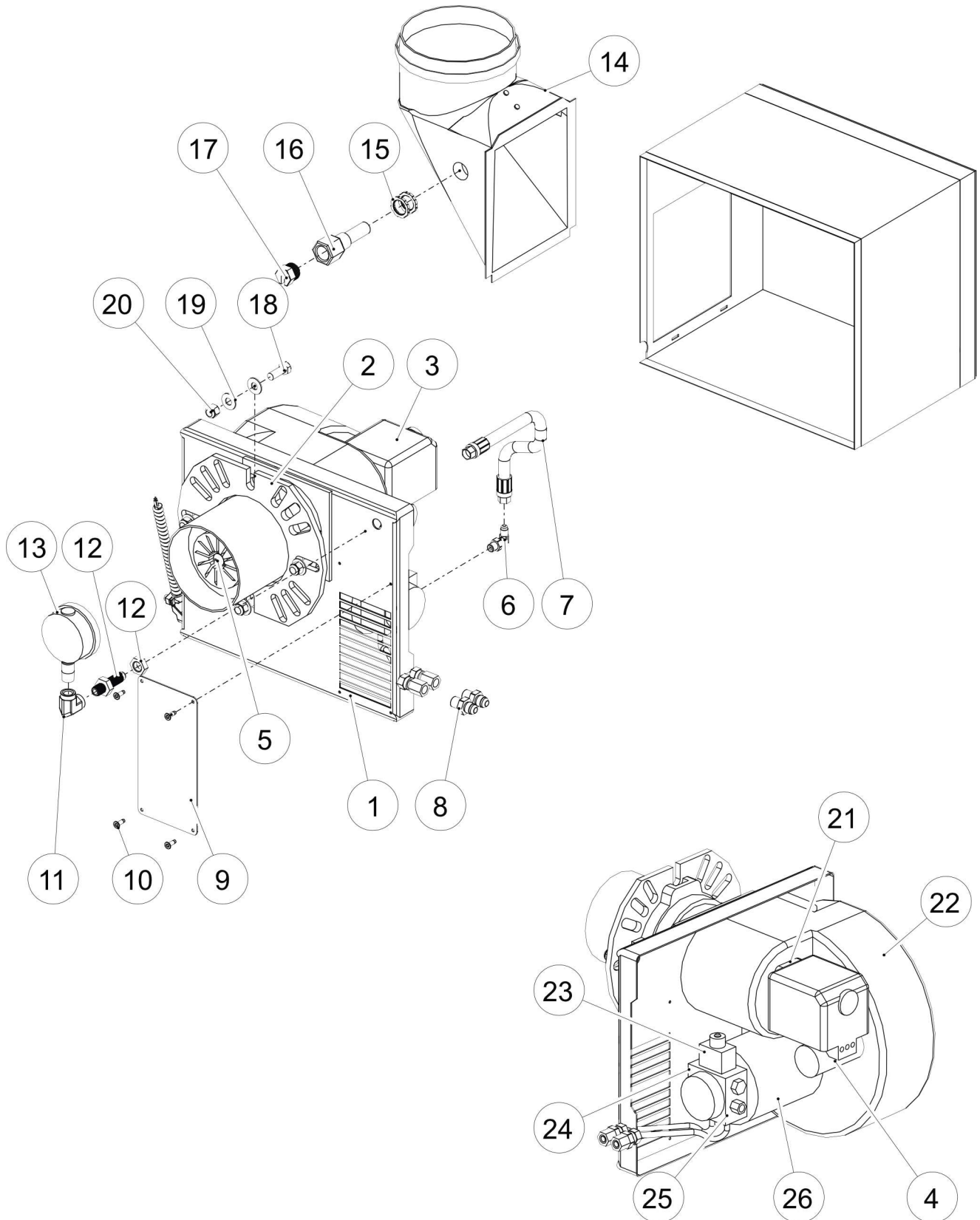




**Central Mobile Enclosure  
900 GTS Series  
Fuel Preheater**

S/N: 153501 -  
S/N: Current  
PAGE: 2.1.20

Item No.	Part No.	Description	Qty.
1	010-702585	PRE-HTR FUEL MOD 2100 R05	1
2	005-700204	WELL F/AVTA/B 3/4 BRS BULB	1
3	005-702592	WELL THERM BRS 4-3/8IN .385 BORE 1/2IN NPT	1
4	005-702757	NUT SPLIT WELLCAP 3/4FINE THREAD	1
5	011-702625	ADPTR 1/2 NPT X #6JIC 37DEG FLARE	2
6	011-700115	VLV BALL 1/2 400WOG STD BRS CGA NPTF	1
7	011-702563	NIPL COMB 1/2NPTX3/8HB BRS	2
8	001-702551	CLP 2-EAR #18SS - 3/8ID HOSE	2
9	001-701423	BOLT CRG 1/4X1 PLTD	4
10	001-700129	WSHR FLT 1/4 PLD	4
11	001-700042	NUT LKG NYL 1/4 UNC PLD	4

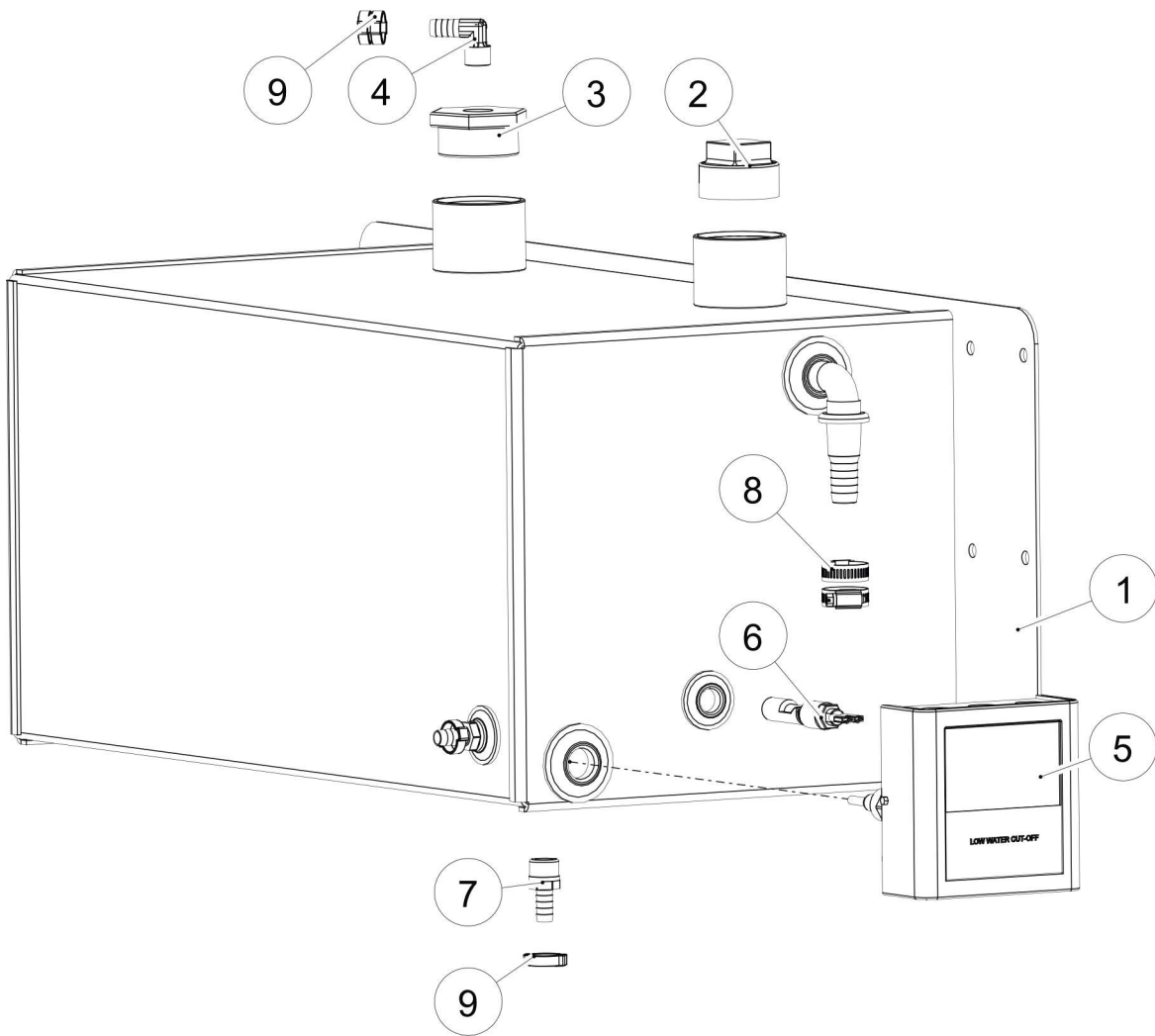




**Central Mobile Enclosure  
900 GTS Series  
Burner**

S/N: 153501 -  
S/N: Current  
PAGE: 2.1.22

Item No.	Part No.	Description	Qty.
	<b>018-702706</b>	<b>PKG BURNER MOD 2100-0900</b> (Includes 1-17, 21-26)	<b>1</b>
1	012-702501	BURNER RIELLO 40-F20 FUEL OIL	1
	006-906338	CVR RIELLO F20 BURNER	1
2	006-702789	GSKT MNT RIELLO 40-F15/F20	1
3	006-702790	CNTRL PRIMARY RIELLO 40 F5/F20	1
4	006-702784	CAPACITOR RIELLO 40-F15/F20	1
5	011-702728	NOZZLE OIL BNR B 5.00X60DEG	1
6	011-702798	ADPTR 90DEG 1/8BSPP X 7/16JIC 37DEG FLARE	1
7	004-704661	FUEL LINE 1/4X10IN #6/#4JICF 37DEG STR SWVL	1
8	011-702660	ADPTR 1/4NPT X 9/16JIC 37DEG FLARE	2
9	004-702739	PLT 16GAX3-3/4X7-3/4	1
10	001-700803	RIVET 5/32 GRP .3125-.375 SS	4
11	011-703016	ELB 1/4X90DEG PLD STEEL NPT	1
12	011-703015	MAIN ADPTR BHD 1/4NPTX9/16JIC 37DEG FLARE	1
13	005-702511	GAUGE PRESS 0-300 PSI 1/4NPT LWR CONN	1
14	004-702520	DUCT TOP TAKE OFF 6 IN	1
15	002-701131	LOCKNUT 1/2 STL CONDUIT	2
16	005-702592	WELL THERM BRS 4-3/8IN .385 BORE 1/2IN NPT	1
17	005-702757	NUT SPLIT WELLCAP 3/4FINE THREAD	1
18	001-700804	BOLT 3/8X1 PLD GR5	4
19	001-700742	WSHR FLT 5/16 PLD	8
20	001-700721	NUT LKG NYL 3/8 UNC PLD	4
21	006-703402	ELECTRODE ASSY 5IN RIELLO 40-F15/F20	1
22	006-902844	FAN RIELLO F15/F20/G750/G900	1
23	006-702785	COIL OIL VLV RIELLO 40-F5/F20	1
24	006-702794	PUMP RIELLO 40-F20	1
25	006-702792	KEY PUMP DRIVE RIELLO 40-F5/F20	1
26	006-702783	MOTOR RIELLO 40-F15/F20/G750/G900	1
		The following components may not be shown	
	006-702796	PKG SERVICE RIELLO 40-F20 FUEL OIL	1
	006-702788	PHOTOCELL RIELLO 40-F5/F20	1
	002-800025	CONNECTOR 3/8 90DEG BX/FLEX	1

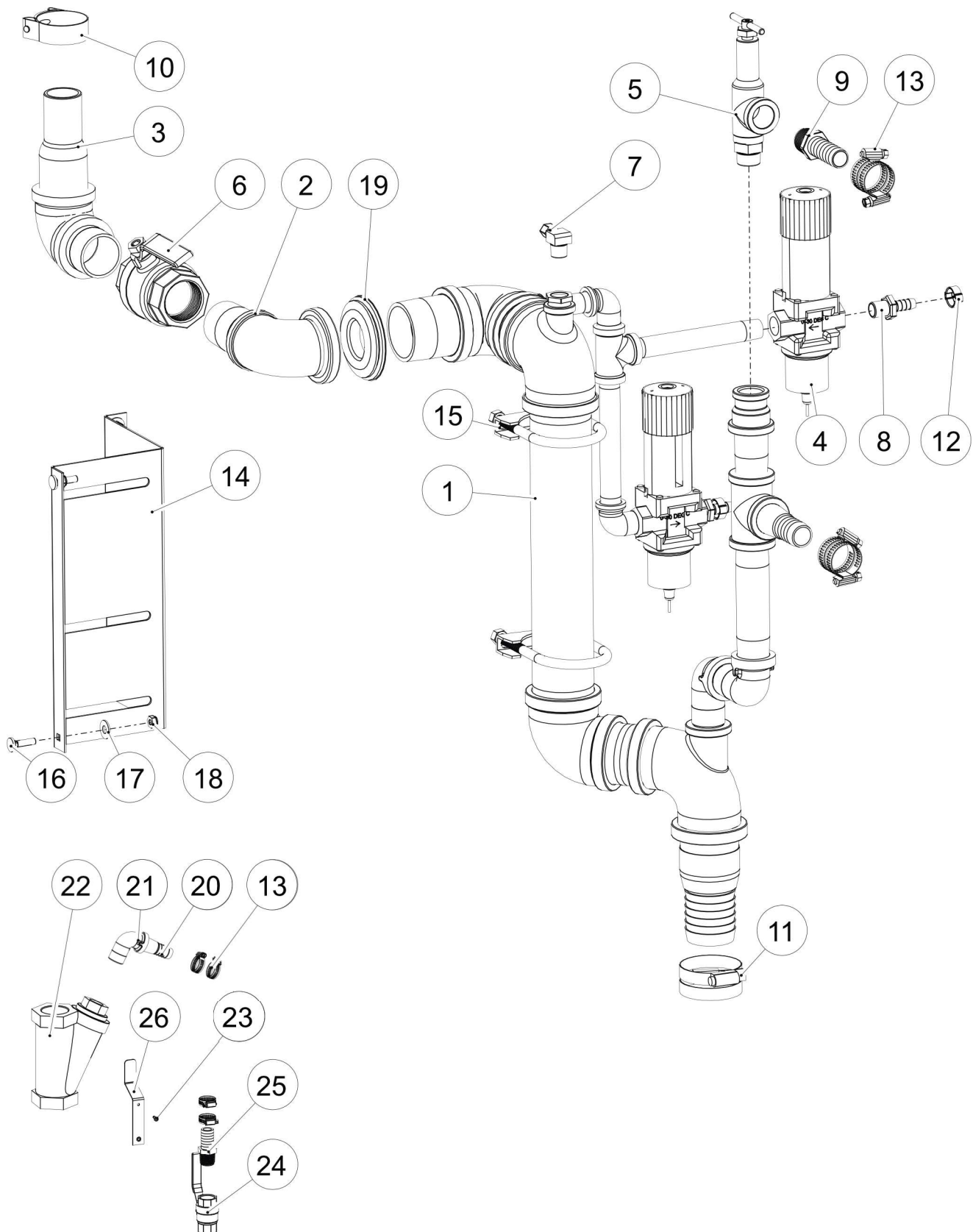




**Central Mobile Enclosure  
900 GTS Series  
Glycol Tank**

S/N: 153501 -  
S/N: Current  
PAGE: 2.1.24

Item No.	Part No.	Description	Qty.
1	010-702460	TANK GLY MOD 2100-0900	1
2	011-700395	PLUG 2 SQ HD MI NPTM CL150/PN20	1
3	011-700913	BSHG RDCG 2X1/2 MI (PAINTED BLACK)	1
4	011-704699	NIPL COMB 1/2NPTX1/2HB 90DEG BRS	1
5	006-700191	LOW WATER CUT-OFF CW PROBE	1
6	002-702012	SW-FLOAT FSH-31	1
7	011-702565	NIPL COMB 1/2NPTX1/2HB BRS	2
8	001-701890	CLP HOSE 1-1/4 SIZE 12	2
9	001-702552	CLP 2-EAR #22SS - 1/2ID HOSE	3



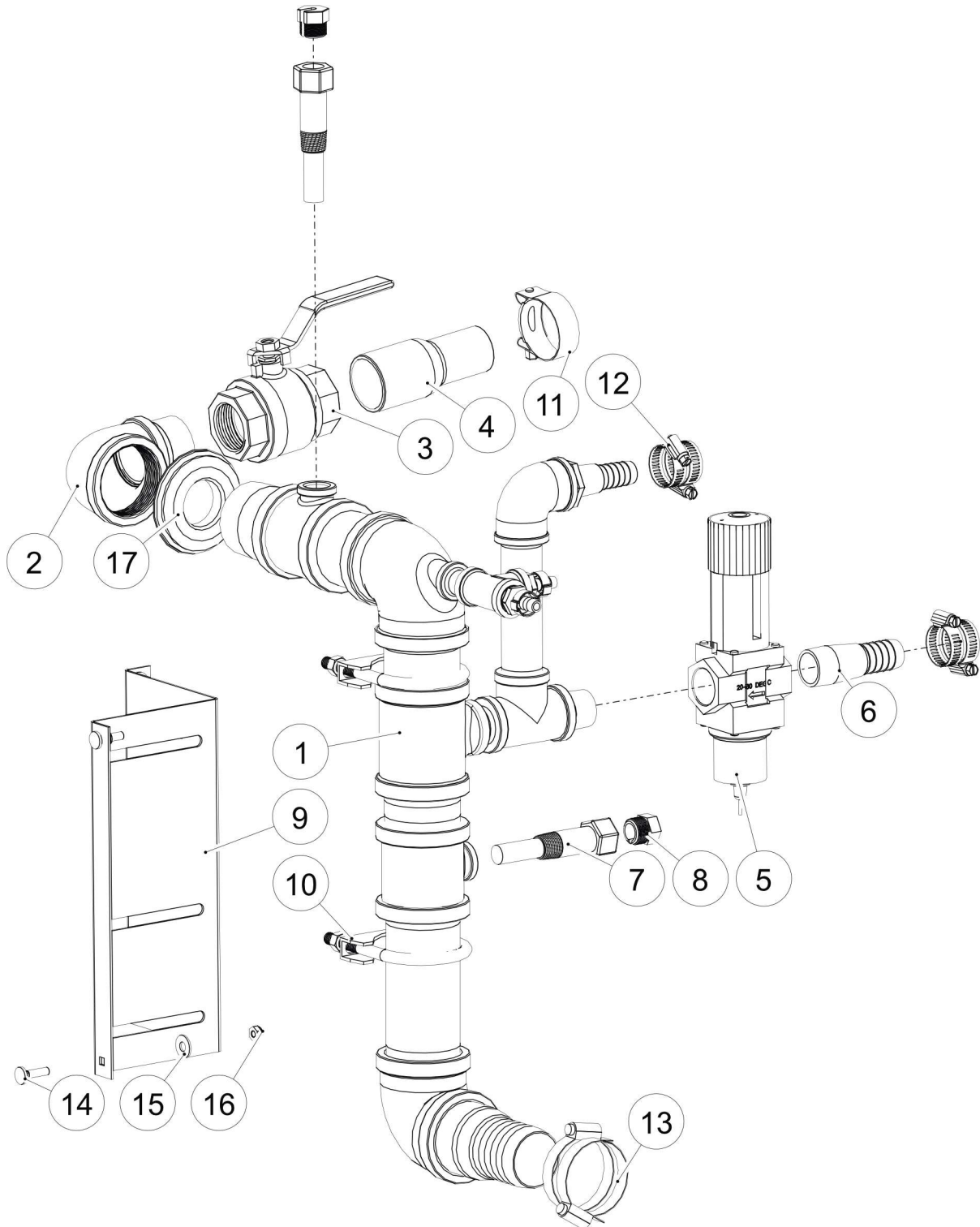




**Central Mobile Enclosure  
900 GTS Series  
Supply Plumbing**

S/N: 153501 -  
S/N: Current  
PAGE: 2.1.26

Item No.	Part No.	Description	Qty.
1	018-905330	ASSY PLMB SPLY MOD 2100-900	1
2	018-902129	PKG PLMB EXT RTN MOD 2100-900 GTS	1
3	018-902127	PKG PLMB SPLY TO FLOW REV 900-GTS	1
4	005-702505	VLV DANFOSS 1/2IN AVTB 15 0-30 DEG C TEMP RNG	2
5	005-700121	VLV BYPASS PRESS RLF 3/4 BRS	1
6	011-700580	VLV BALL 1-1/2 400WOG FL PT BRS CGA NPTF	1
7	011-701077	CPRSN FTG ELB 1/4TX3/8 90DEG MPT	1
8	011-702563	NIPL COMB 1/2NPTX3/8HB BRS	2
9	011-702701	NIPL COMB 3/4NPTX3/4HB BRS	1
10	001-704412	CLP HOSE HEAVY DUTY 1.85-2.01 RNG (47-51mm)	1
11A	001-700337	CLP HOSE HS32 2-1/2 SLTD HEX HD SS	2
11B	001-901471	CLP HOSE HEAVY-DUTY 59-63MM <small>Recommended</small>	1
12	001-702551	CLP 2-EAR #18SS - 3/8ID HOSE	2
13	001-700275	CLP HOSE HAS16 SLTD HEX HD SS	4
14	004-702479	BRKT PLMB MOUNT MOD 2100-0900 CAB R01	1
15	001-700858	CLP MUF 2-1/2X3/8 PLD C/W NUTS/WSHR	2
16	001-701423	BOLT CRG 1/4X1 PLTD	4
17	001-700129	WSHR FLT 1/4 PLD	4
18	001-700042	NUT LKG NYL 1/4 UNC PLD	4
19	009-700157	GROM 2.1X3.25 RBR PIPE 2	1
20	011-702060	NIPL COMB 1X1 BLK PIPE HB	1
21	011-700103	ELB ST 1X90DEG MI CL150 NPT	1
22	011-700083	STRAINER Y 2 CI 20MSCR FNPT	1
23	001-700803	RIVET 5/32 GRP .3125-.375 SS	2
24	011-700366	VLV BALL 1 400WOG FL PT BRS CGA NPTF	1
25	011-702153	NIPL COMB 1*1 BRS ADPTR	1
26	004-701406	BRKT FLUSH HOSE RTNR MOD2000 CAB RAYPAK	1
		The following components may not be shown	
	011-701177	GSKT 2 Y PATT STR PTFE	1
	006-702400	SCREEN Y-STR 20MESH 2IN	1
	013-702636	HOSE 1 RED	2FT

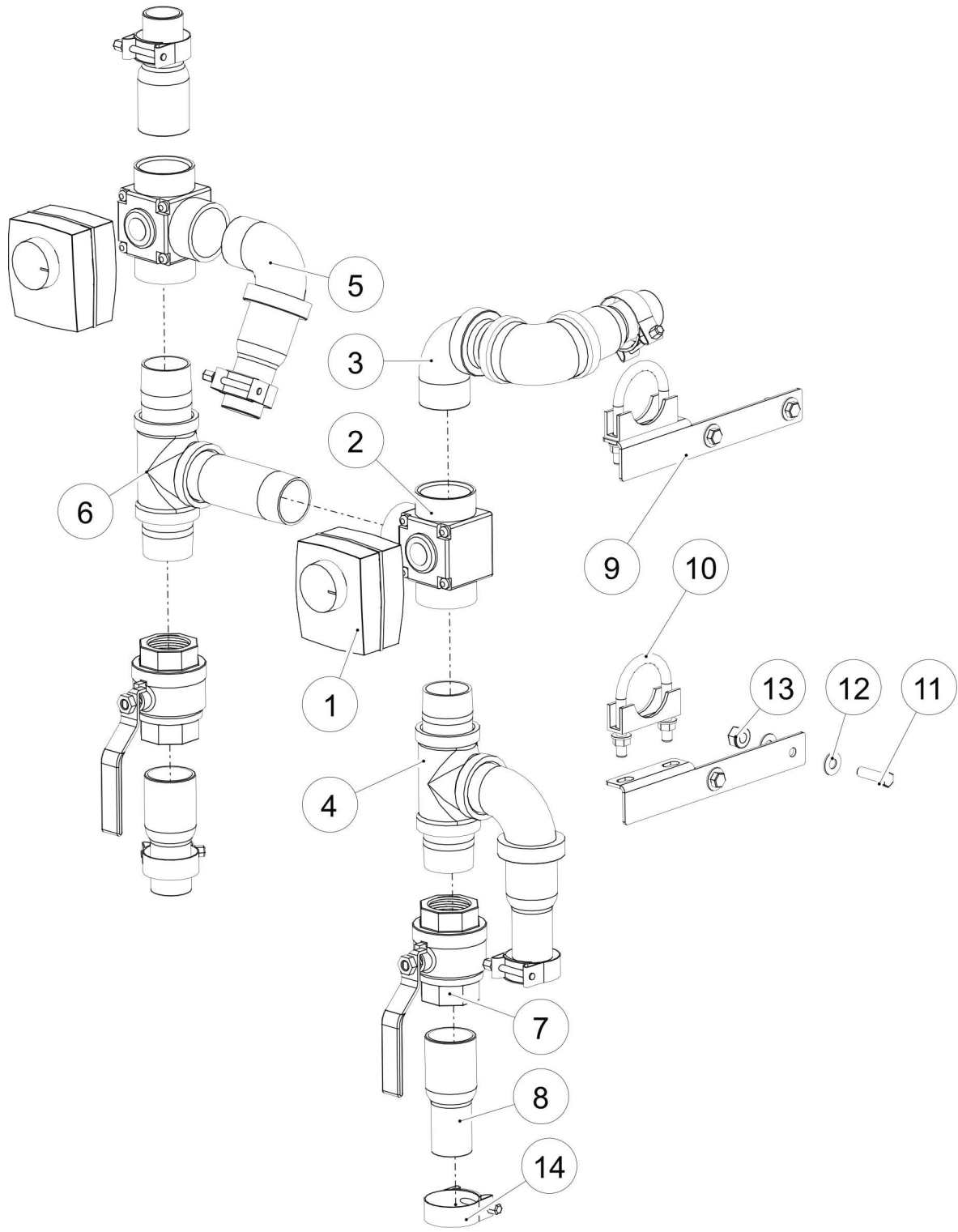




**Central Mobile Enclosure  
900 GTS Series  
Return Plumbing**

S/N: 153501 -  
S/N: Current  
PAGE: 2.1.28

Item No.	Part No.	Description	Qty.
1	018-702718	PKG PLMB RETURN MAIN MOD 2100-0900	1
2	018-902128	PKG PLMB EXT SPLY MOD 2100-900 GTS	1
3	011-700580	VLV BALL 1-1/2 400WOG FL PT BRS CGA NPTF	1
4	011-700488	NIPL COMB 1-1/2 (HB) NPTM PNTD BLK	1
5	005-700120	VLV MOD DANFOSS AVTB 25 1 TEMP REG	1
6	011-702060	NIPL COMB 1X1 BLK PIPE HB	1
7	005-900590	WELL THERM BRS 4 IN .385BORE 1/2MPT 1-5/8INSER	2
8	005-702757	NUT SPLIT WELLCAP 3/4FINE THREAD	2
9	004-702479	BRKT PLMB MOUNT MOD 2100-0900 CAB R01	1
10	001-700858	CLP MUF 2-1/2X3/8 PLD C/W NUTS/WSHR	2
11	001-704412	CLP HOSE HEAVY DUTY 1.85-2.01 RNG (47-51mm)	1
12	001-700275	CLP HOSE HAS16 SLTD HEX HD SS	4
13A	001-700337	CLP HOSE HS32 2-1/2 SLTD HEX HD SS	2
13B	001-901471	CLP HOSE HEAVY-DUTY 59-63MM <small>Recommended</small>	1
14	001-701423	BOLT CRG 1/4X1 PLTD	4
15	001-700129	WSHR FLT 1/4 PLD	4
16	001-700042	NUT LKG NYL 1/4 UNC PLD	4
17	009-700157	GROM 2.1X3.25 RBR PIPE 2	1





**Central Mobile Enclosure  
900 GTS Series  
Flow Reverser**

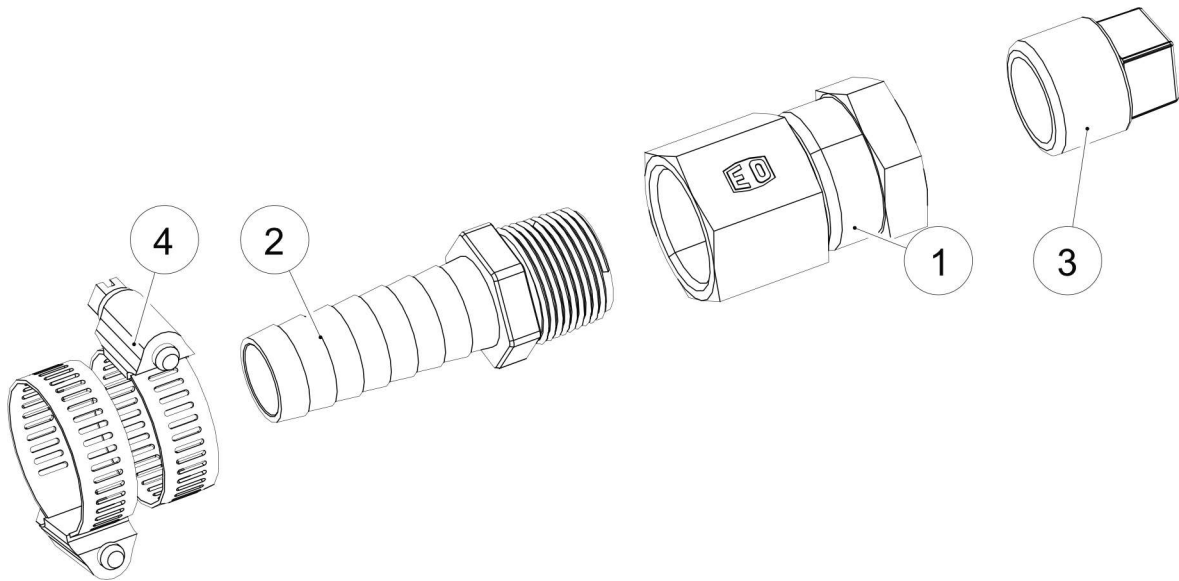
S/N: 153501 -  
S/N: Current  
PAGE: 2.1.30

Item No.	Part No.	Description	Qty.
1	005-704062	ACTUATOR MOTOR ESBE MODEL ARA 600	2
2	011-704061	VLV 1-1/2 3-WAY MIXING	2
3	018-902125	PKG PLMB RET FROM FLOW REV 900-GTS	1
4	018-900658	PKG PLMB RET TO FLOW REV 600-GTS	1
5	018-900657	PKG PLMB RET FROM FLOW REV 600-GTS	1
6	018-900653	PKG PLMB SPLY FROM FLOW REV 600-GTS	1
7	011-700580	VLV BALL 1-1/2 400WOG FL PT BRS CGA NPTF	2
8	011-700488	NIPL COMB 1-1/2 (HB) NPTM PNTD BLK	3
9	004-902126	BRKT MNT FLOW REV 900-GTS	2
10	001-700622	CLP MUF 1-7/8X3/8 BOLT ZINC PLD	2
11	001-700960	BOLT 3/8X1-1/4 PLD GR5	4
12	001-700742	WSHR FLT 5/16 PLD	8
13	001-700721	NUT LKG NYL 3/8 UNC PLD	4
14	001-704412	CLP HOSE HEAVY DUTY 1.85-2.01 RNG (47-51mm)	6



**Central Mobile Enclosure  
900 GTS Series  
Fill Hose**

S/N: 153501 -  
S/N: Current  
PAGE: 2.1.31

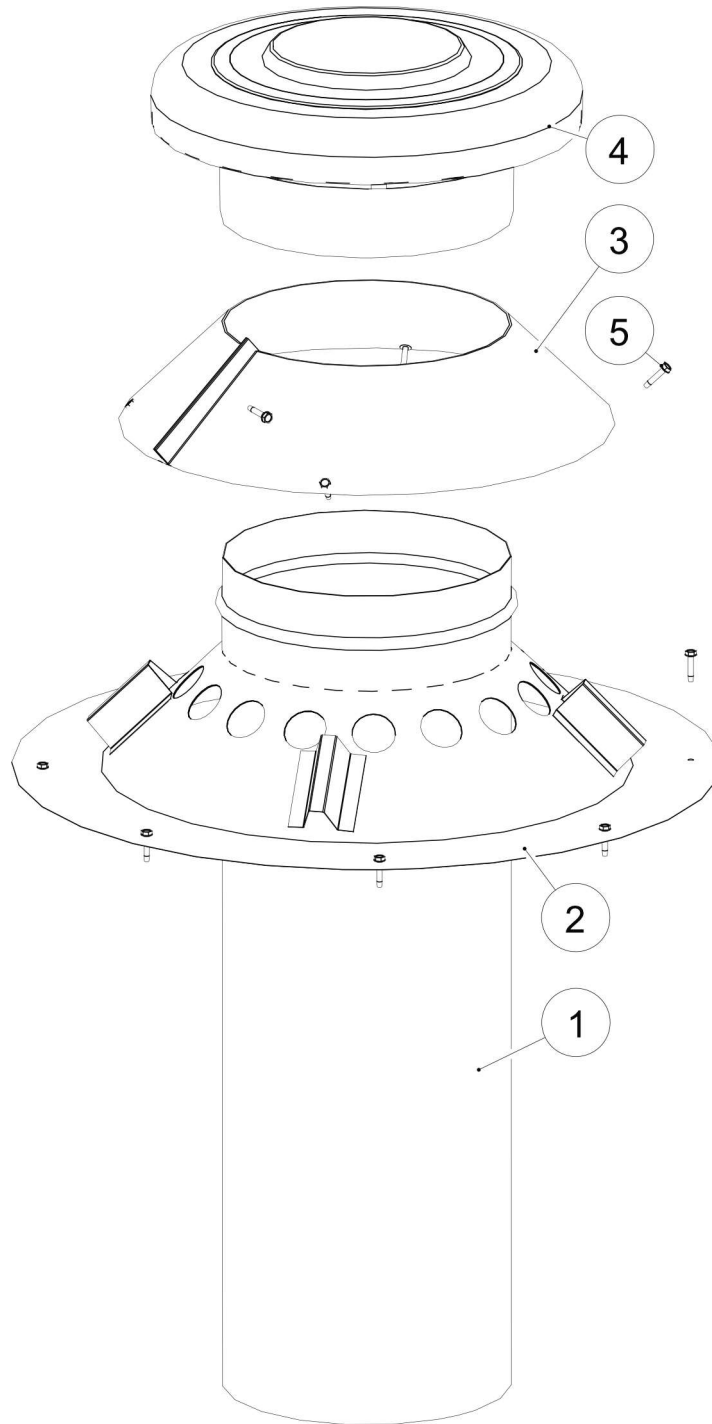




**Central Mobile Enclosure  
900 GTS Series  
Fill Hose**

S/N: 153501 -  
S/N: Current  
PAGE: 2.1.32

Item No.	Part No.	Description	Qty.
1	011-900793	ADPTR 3/4FPT X FEM GHT BRS	1
2	011-702701	NIPL COMB 3/4NPTX3/4HB BRS	1
3	011-702703	PLUG BRS 3/4 NPT SQ HD	1
4	001-701890	CLP HOSE 1-1/4 SIZE 12	2
		The following components may not be shown	
	013-702635	HOSE 3/4 RED	8FT







**Central Mobile Enclosure  
900 GTS Series  
Chimney**

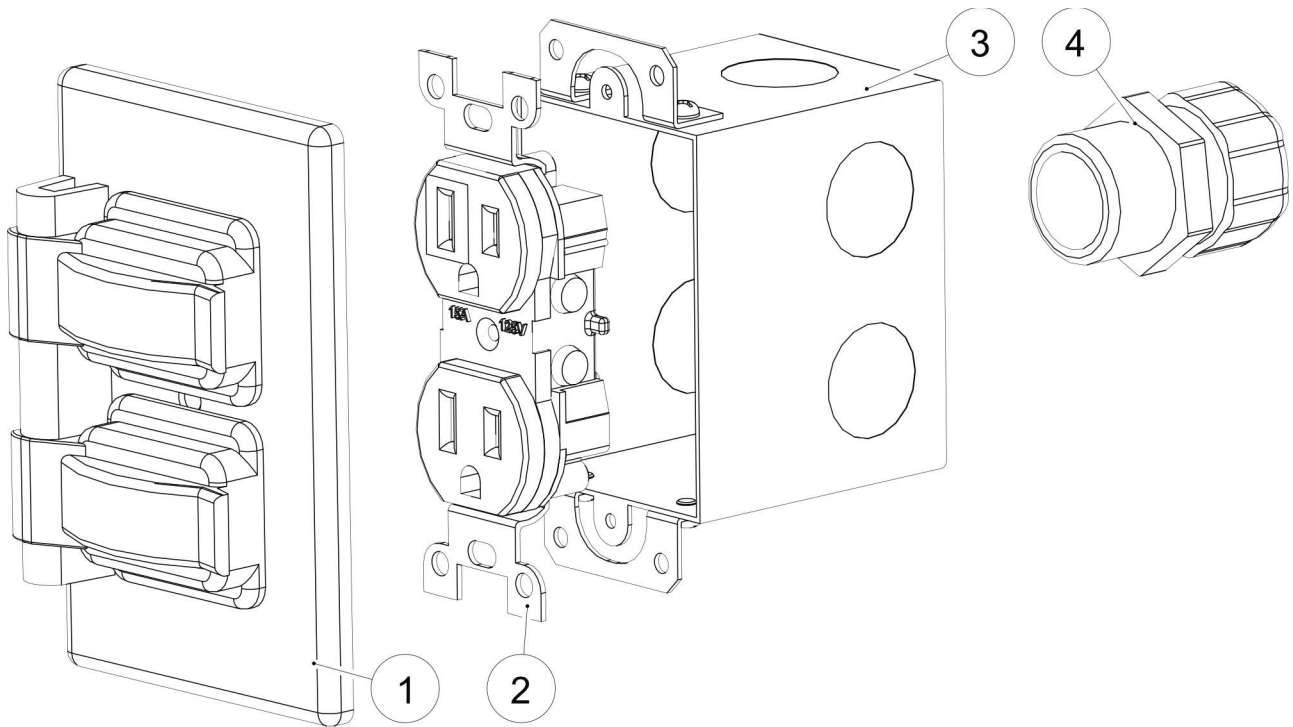
S/N: 153501 -  
S/N: Current  
PAGE: 2.1.34

Item No.	Part No.	Description	Qty.
1	004-903083	CHMNY PIPE 10X30L 24 GA SNAP LOCK	1
2	004-702658	FLSHG ROOF VENT 10IN MOD 2100	1
3	004-702571	STORM COLLAR 10IN MOD 2100	1
4	004-702518	CHMNY CAP 10IN CHINA GALV	1
5	001-700629	SCRW D/T 10-16X3/4 5/16HEX HD PLD	14



**Central Mobile Enclosure  
900 GTS Series  
Electrical**

S/N: 153501 -  
S/N: Current  
PAGE: 2.1.35

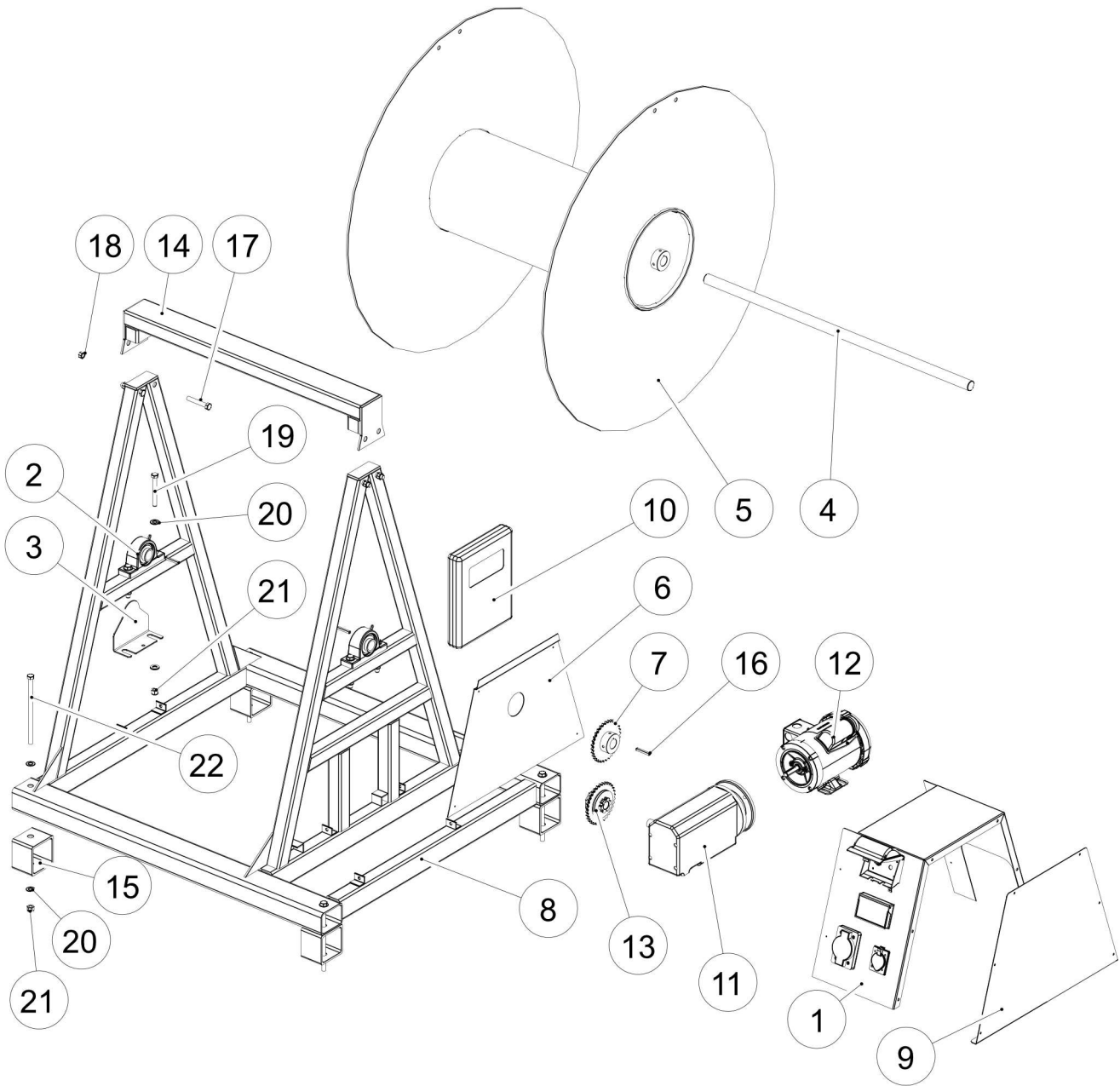




**Central Mobile Enclosure  
900 GTS Series  
Electrical**

S/N: 153501 -  
S/N: Current  
PAGE: 2.1.36

Item No.	Part No.	Description	Qty.
1	002-701415	CVR RCPT W/P	1
2	002-800037	RCPT DX 15A 120V	1
3	002-701414	BOX RCPT #425	1
4	002-700046	CONNECTOR STRN/RLF 3/4 .625-.750 CABLE RNG	1

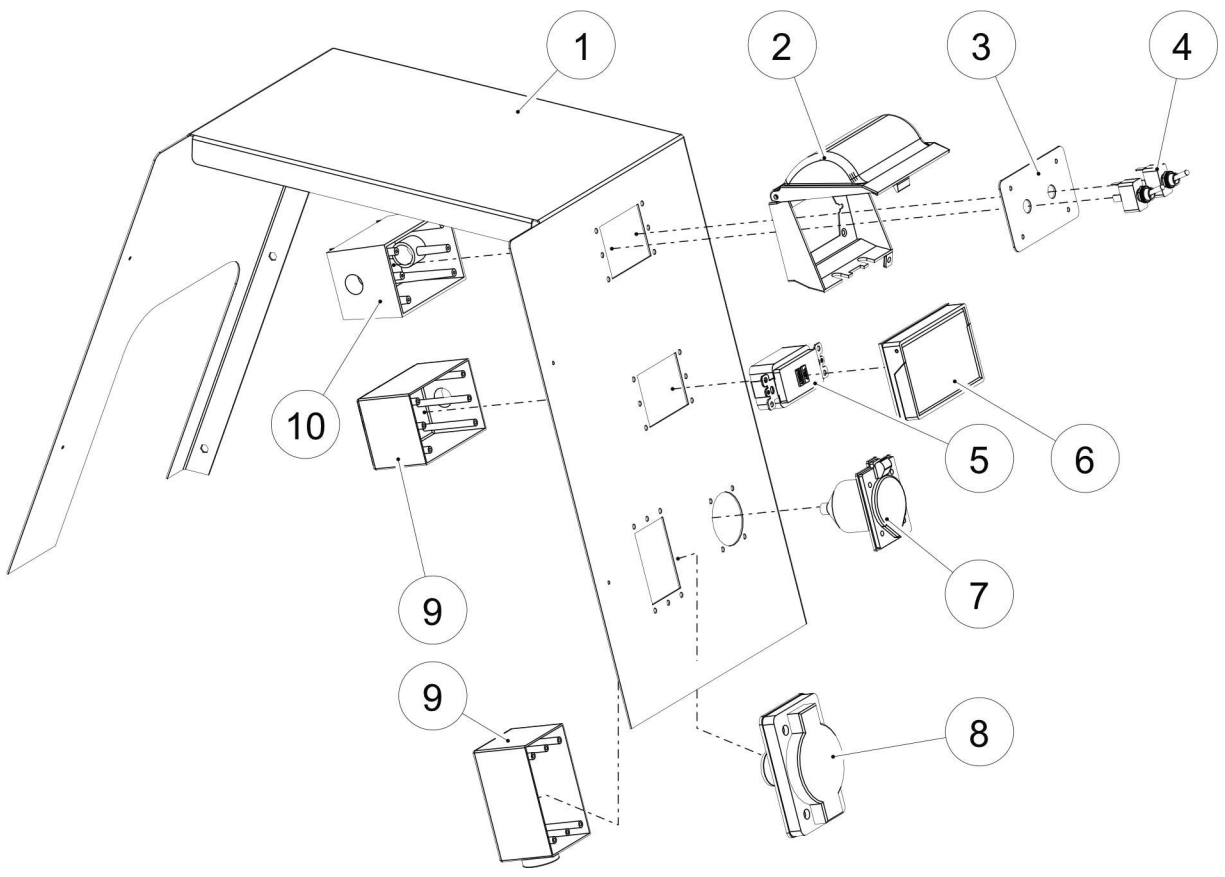




**Central Mobile Enclosure  
900 GTS Series  
Hose Reel**

S/N: 1192-01 -  
S/N: Current  
PAGE: 3.1.2

Item No.	Part No.	Description	Qty.
1		MAIN SHIELD - see page 3.1.3	
2	017-703610	BRG PLBLK 1-1/4 DUCTILE HSG	2
3	004-703607	SHLD SHAFT/BRG MOD 2250-HR	1
4	004-703609	SHAFT CR 1-1/4X41L MOD 2250-HR	1
5	004-703603	SPOOL HOSE REEL MOD 2250-HR	1
6	004-703606	SHLD REAR MOD 2250-HR R03	1
7	004-703572	SPRKT 36T #40 CHAIN 1-1/4 WELD-ON HUB	1
8	004-900622	FRAME HOSE REEL 2250-HR GTS	1
9	004-703605	SHLD FRT ACS MOD 2250-HR	1
10	016-702616	CASE OPR MNL MANUAL-PAK	1
11	012-704788	GEARBOX HLCL WORM 102:1 RT ANG 2.5IN L SHAFT	1
12	012-703488	MOTOR ELEC 3/4HP 115/208-230V 1725RPM TEFC	1
13	012-703570	TRQ LMTR ASSY 1 SHAFT DBL SPR 60-190 FTLB	1
14	004-900625	FRAME TOP MOD 2250-HR GTS	1
15	004-900491	TBG 4X4X.188W 3-1/8L C/W HOLE	4
16	004-703614	KEY 1/4X1/4 2L	3
17	001-700476	BOLT 1/2X3 PLD GR5	4
18	001-700953	NUT 1/2 PLD	4
19	001-702159	BOLT 1/2X3-3/4 UNC PLD	4
20	001-700110	WSHR FLT 1/2 SAE PLD	16
21	001-701606	NUT LKG NYL 1/2 UNC PLD	8
22	001-900743	BOLT 1/2X9 PLD GR5	4
		The following components may not be shown	
	004-703573	TBG CDSM 1-3/4ODX.243W 1/2L	2
	017-701326	CHAIN ROLLER #40	2.5FT
	017-701329	LINK OFFSET DF #40	1
	017-701592	CONNECTOR CHAIN LINK #40	1

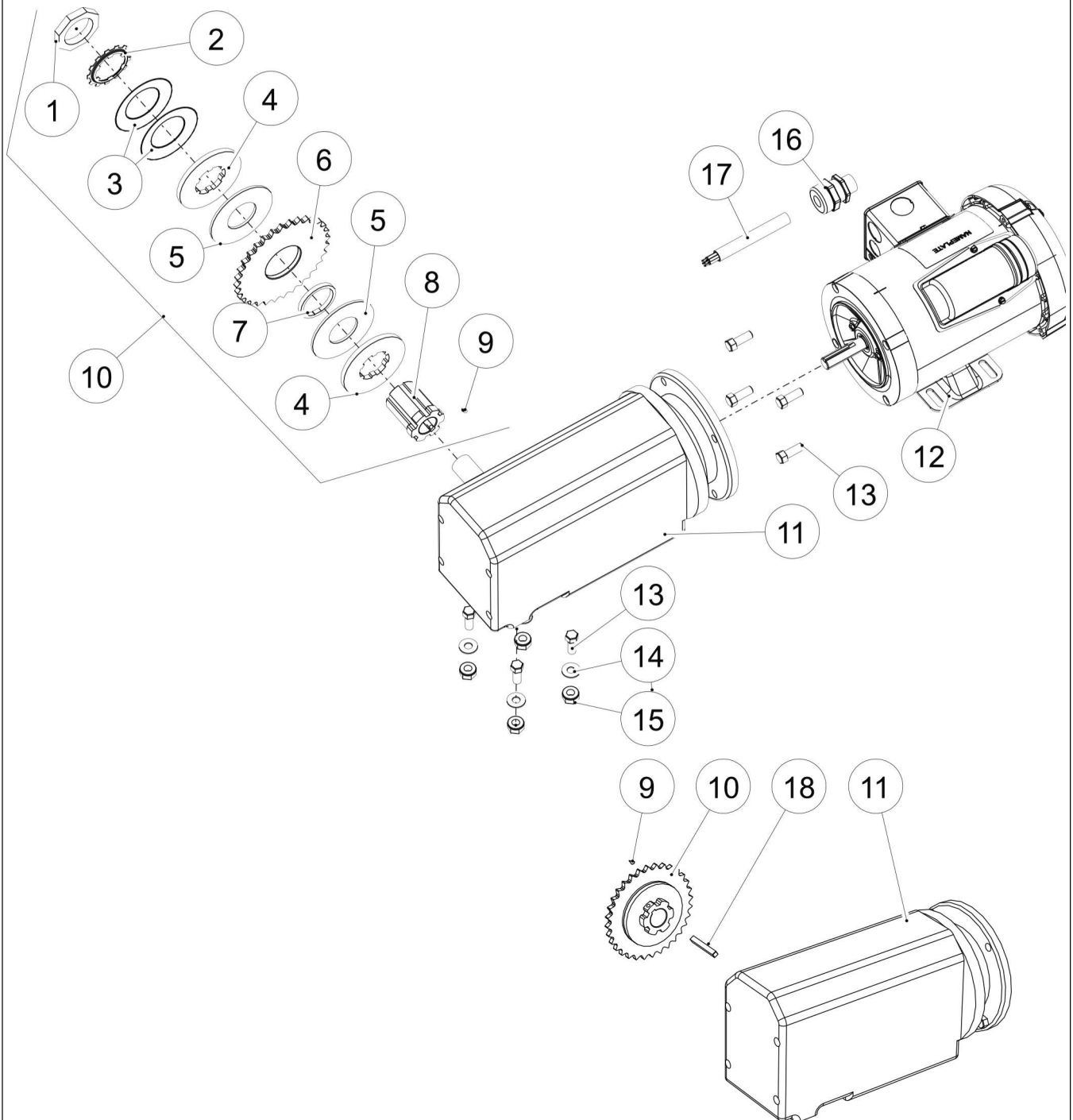




**Central Mobile Enclosure  
900 GTS Series  
Shield**

S/N: 1192-01 -  
S/N: Current  
PAGE: 3.1.4

Item No.	Part No.	Description	Qty.
1	004-703604	SHLD MAIN CONT MOD 2250-HR R02	1
2	002-703185 018-906946	COV ELEC WTHPRF HORIZ SGL GANG (OBSOLETE) PKG RETRO SW CVR HR2250 (REPLACEMENT PACKAGE)	1
3	004-703562	PLT TGL SW MNT MOD 2250-HR	1
4	002-703616	SWITCH TGL SPST 20A 125V 1/4 SPADE TERM	2
5	002-703612	GFCI BLANK FACE 20A 125V 2-POLE 3-WIRE	1
6	002-703613	COV WTHPRF GFCI HORIZ SGL GANG	1
7	002-703611	PLUG PNL MNT WTHPRF 15A 125V	1
8	002-703183	RCPT SGL LKG WTRPRF 15A 125V FL MNT W/ COV	1
9	002-703255	BOX ELEC 2IN WTHPRF DIE CAST AL 1/2IN HUB	2
10	002-703596	BOX ELEC 2-5/8IN WTHPRF DIE-CAST AL 1/2IN HUB	1
		The following components may not be shown	
	001-700093	SCRW D/T 1/4-14X3/4 3/8HEX HD PLD	4
	001-701484	SCRW MACH 10-24X3/4 PANHEAD	12
	002-703569	WSHR SEAL 1/2 ELEC CND	4
	002-700810	CONNECTOR STRN/RLF 1/2 .500-.562 CABLE RNG	3
	002-703566	CONNECTOR STRN/RLF 1/2X90DEG .500-.562 CABLE RNG	4
	002-703567	CONNECTOR STRN/RLF 1/2 .625-.750 CABLE RNG	1



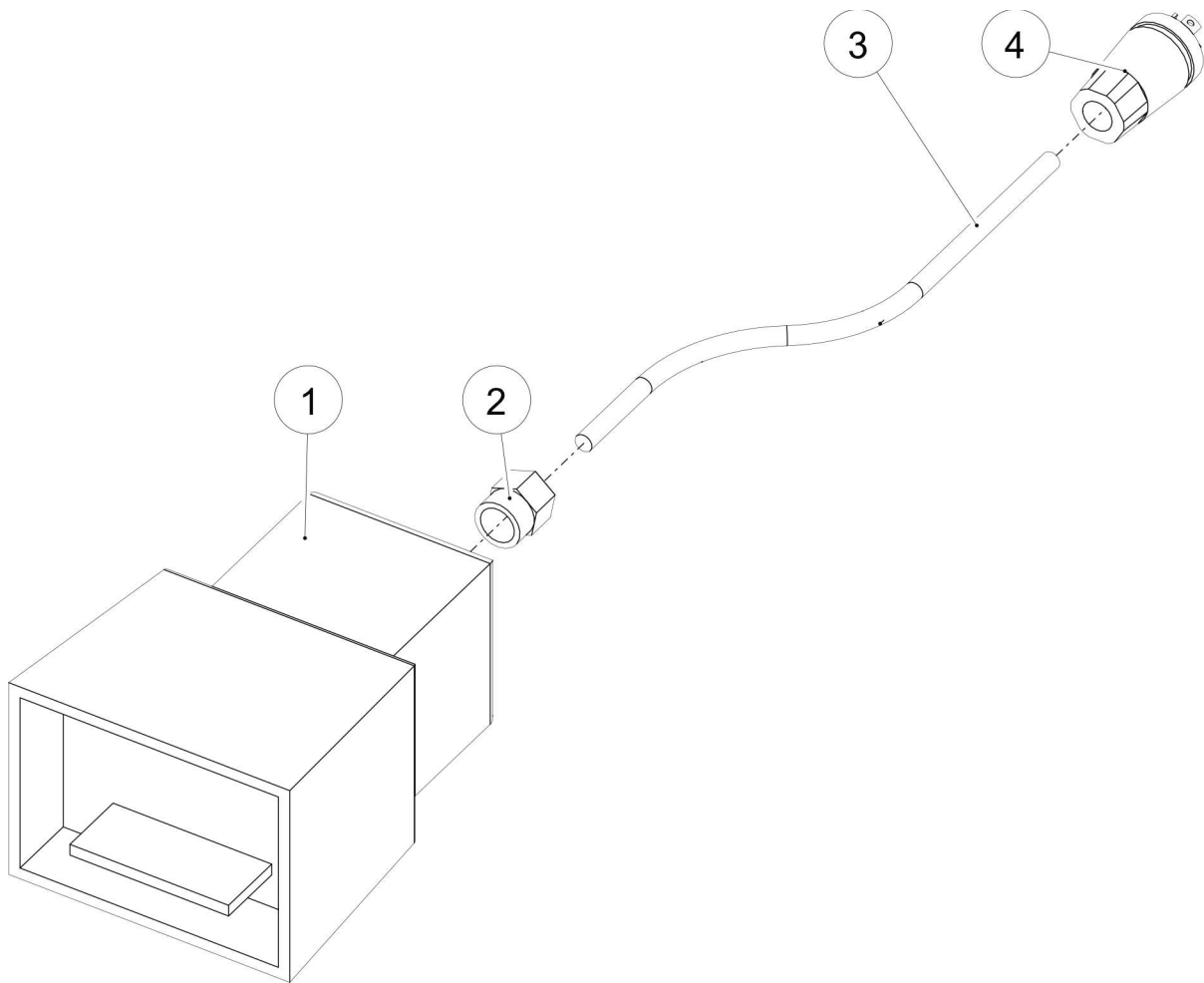




**Central Mobile Enclosure  
900 GTS Series  
Drive**

S/N: 1192-01 -  
S/N: Current  
PAGE: 3.1.6

Item No.	Part No.	Description	Qty.
1	006-702374	NUT ADJ TRQ LMTR	1
2	006-702373	WSHR LOCK TRQ LMTR	1
3	017-702168	SPR DBL TRQ LMTR 60-190	2
4	006-702375	PRESSURE PLT TRQ LMTR	2
5	006-702377	DISC SET TRQ LMTR	2
6	017-702170	SPRKT 32T #40 CHAIN - MEETS TRQ LMTR SPEC	1
7	017-702169	BSHG TRQ LMTR	1
8	006-703978	HUB 1IN TRQ LMTR	1
9	006-702378	SCRW SET 1/4-20X1/4 TRQ LMTR	1
10	012-703570	TRQ LMTR ASSY 1 SHAFT DBL SPR 60-190 FTLB	1
11	012-704788	GEARBOX HLCL WORM 102:1 RT ANG 2.5IN L SHAFT	1
12	012-703488	MOTOR ELEC 3/4HP 115/208-230V 1725RPM TEFC	1
13	001-700804	BOLT 3/8X1 PLD GR5	8
14	001-700719	WSHR FLT 3/8 PLD	4
15	001-700721	NUT LKG NYL 3/8 UNC PLD	4
16	002-703567	CONNECTOR STRN/RLF 1/2 .625-.750 CABLE RNG	1
17	002-703561	CABLE SOW14/7 NPRN CABTIRE	1
18	004-703614	KEY 1/4X1/4 2L	1
		The following components may not be shown	
	006-903226	CAPACITOR 540-648UF 110/125VAC HR2250 3/4HP MOTOR	

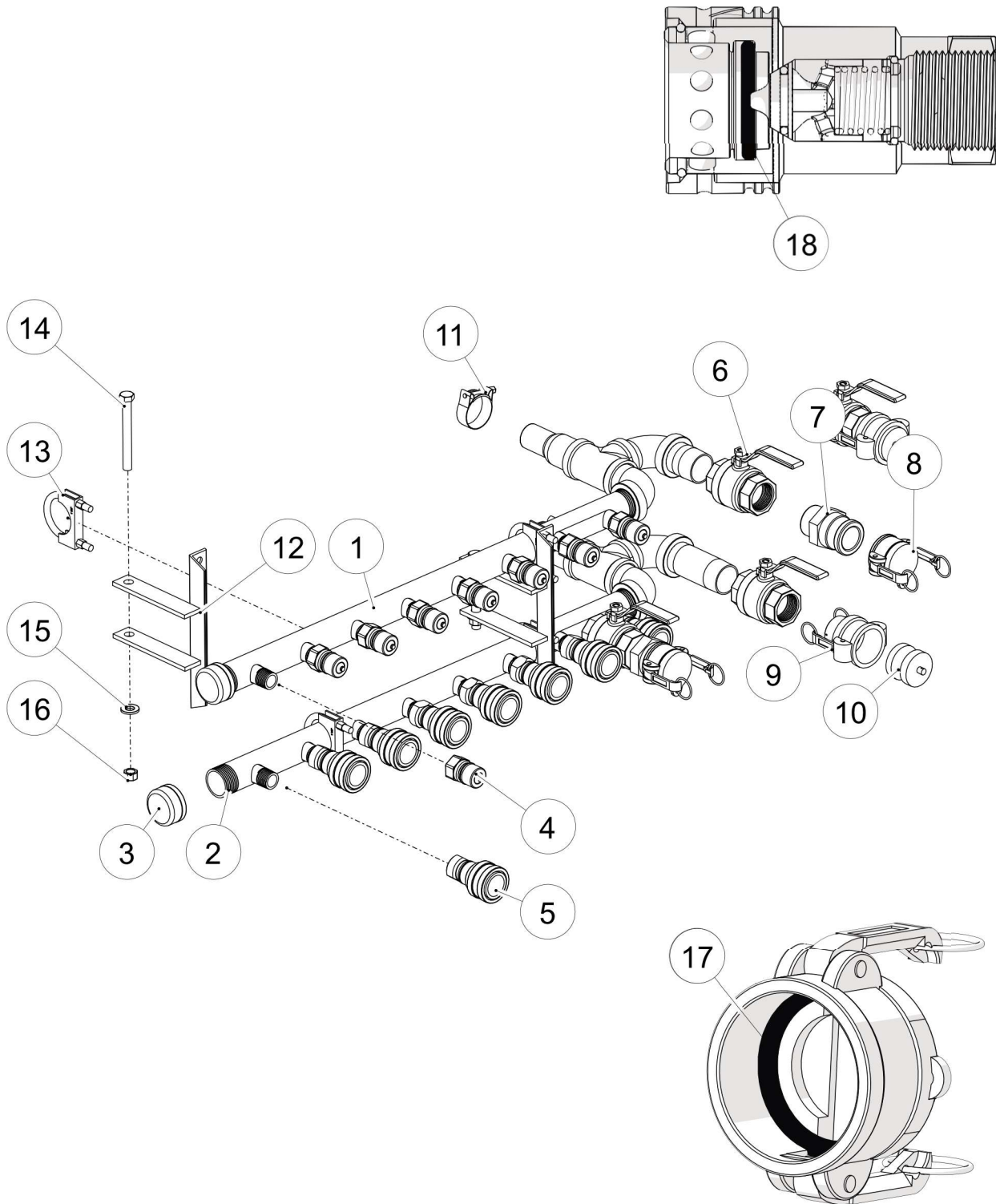




**Central Mobile Enclosure  
900 GTS Series  
Foot Pedal**

S/N: 1192-01 -  
S/N: Current  
PAGE: 3.1.8

Item No.	Part No.	Description	Qty.
	<b>018-703244</b>	<b>PKG FOOT CONT HOSE REEL-II</b> (Includes 1-4)	<b>1</b>
1	012-701568	SW FOOT MOD HR6000	1
2	002-703184	CONNECTOR STRN/RLF 3/4 .438-.562 CABLE RNG	1
3	002-700802	CABLE SOW14/3 NPRN CABTIRE	1
4	002-703182	PLUG LKG WTRPRF 15A 125V	1

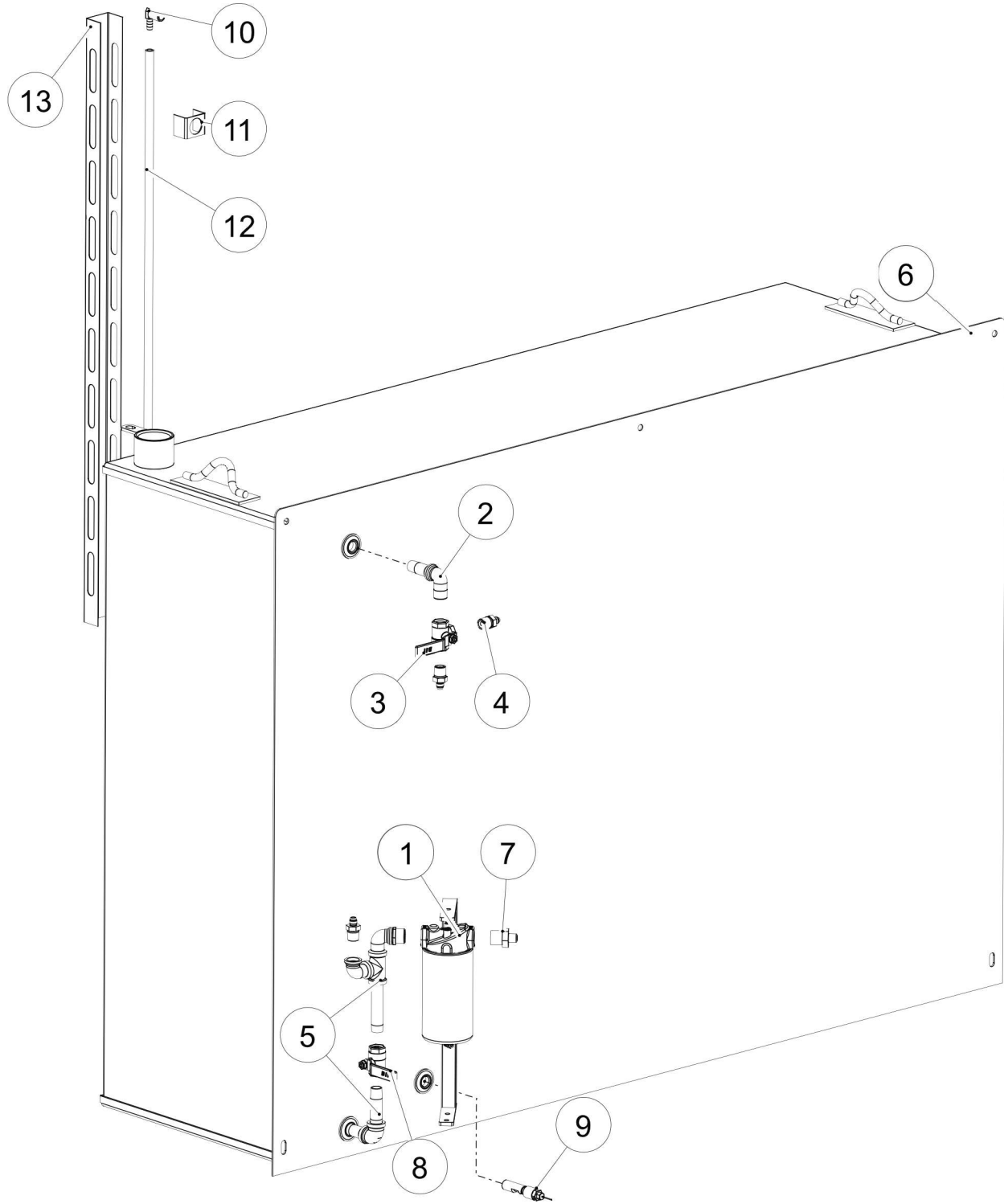




**Central Mobile Enclosure  
900 GTS Series  
Manifold**

S/N: 153501 -  
S/N: Current  
PAGE: 4.1.2

Item No.	Part No.	Description	Qty.
1	018-900642	PKG PLMB MANF TOP 600GTS	1
2	018-900643	PKG PLMB MANF BTM 600GTS	1
3	011-700581	CAP 1-1/2 MI CL150 NPT	2
4	011-701517	QC NIPL 3/4 BRS NPTF	8
5	011-701518	QC CPLR 3/4 BRS NPTF	8
6	011-700580	VLV BALL 1-1/2 400WOG FL PT BRS CGA NPTF	2
7	011-702847	KMLCK 1-1/2 ADPTR AL MALE NPT PART F	1
8	011-702849	KMLCK 1-1/2 DUST CAP AL PART DC	1
9	011-702848	KMLCK 1-1/2 FEMALE CPLR AL MALE NPT PART B	1
10	011-702850	KMLCK 1-1/2 DUST PLUG AL PART DP	1
11	001-704412	CLP HOSE HEAVY DUTY 1.85-2.01 RNG (47-51mm)	2
12	004-900636	BRKT MNT ASSY MANF 3/4QC 8-PORT 600GTS	2
13	001-700622	CLP MUF 1-7/8X3/8 BOLT ZINC PLD	4
14	001-703657	BOLT 1/2X4-1/2 PLD GR5	2
15	001-700100	WSHR FLT 1/2 PLT PLD	2
16	001-701606	NUT LKG NYL 1/2 UNC PLD	2
17	006-702960	GSKT 1-1/2IN KMLCK CPLR STD	1
	006-702963	GSKT 1-1/2IN KMLCK CPLR THICK	1
	006-900825	GSKT 1-1/2IN KMLCK CPLR SILICONE RBR	1
18	006-702958	O-RING 3/4IN QC CPLR (.101)	1
	006-704311	O-RING 3/4IN QC CPLR (.141)	1

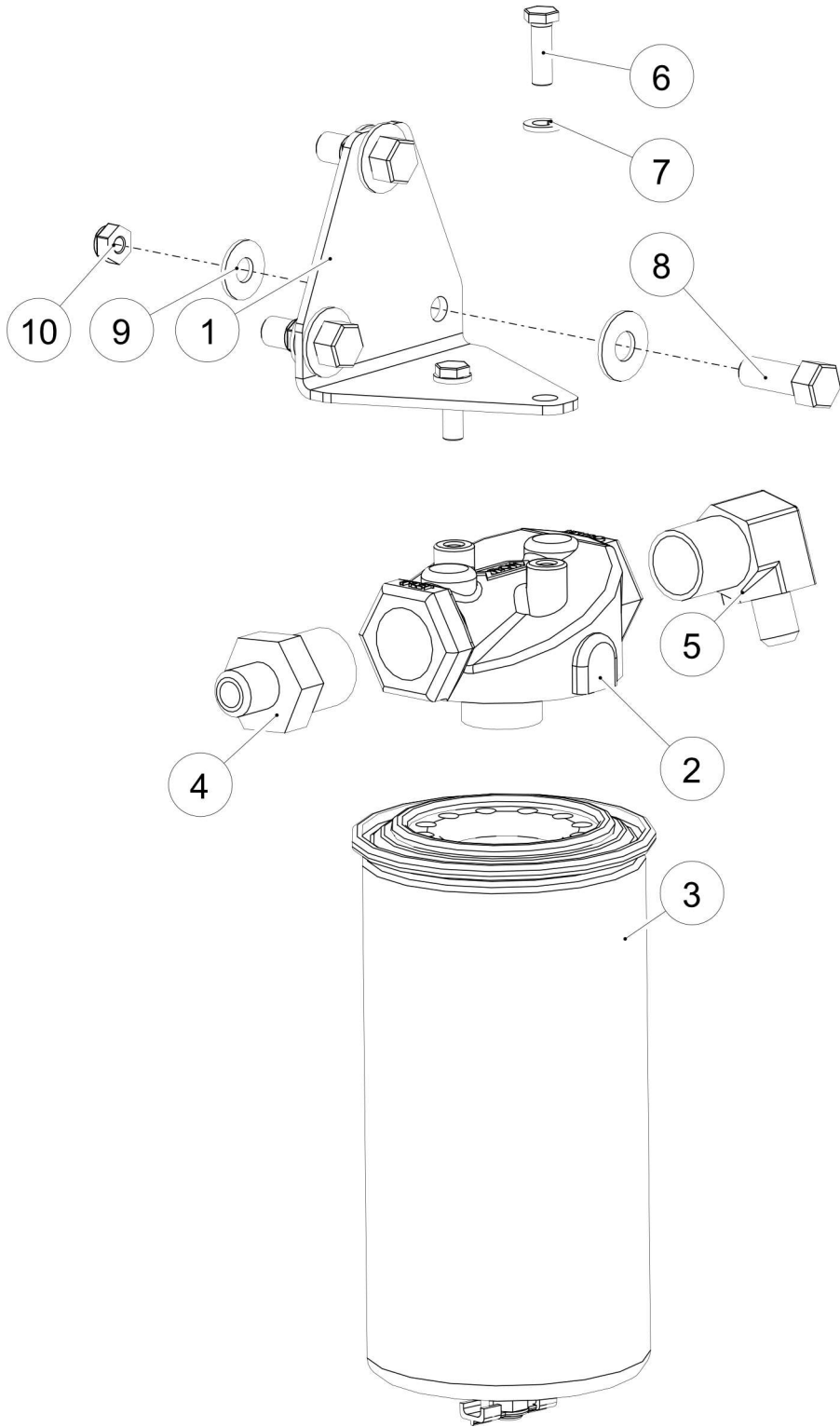




**Central Mobile Enclosure  
900 GTS Series  
Fuel Tank**

S/N: 153501 -  
S/N: Current  
PAGE: 5.1.2

Item No.	Part No.	Description	Qty.
1A	012-702587	ADPTR FUEL FILTER MTG AL	1
1B	012-702588	FILTER FUEL OIL PART/WTR COMB	1
2	018-900755	PKG PLMB FUEL RTN 600-GTS	1
3	011-702594	VLV 1/2 3-WAY BRS	1
4	011-702625	ADPTR 1/2 NPT X #6JIC 37DEG FLARE	3
5	018-900756	PKG PLMB FUEL SPLY 600-GTS	1
6	004-900712	TANK DSL/FUEL OIL MOD 600GTS	1
7	011-901436	ADPTR 3/4NPT X #6JIC 37DEG FLARE	1
8	011-700115	VLV BALL 1/2 400WOG STD BRS CGA NPTF	1
9	002-702012	SW-FLOAT FSH-31	1
10	011-900594	NIPL COMB 90ELB 1/2MPT X 3/8HB BRS	2
11	004-900742	MNT BRKT SIGHT GLASS SHIELD 600GTS	2
	004-901169	MNT BRKT SIGHT GLASS SHIELD 600GTS GRN	1
12	016-900747	TUBING CLEAR 3/8ID CHEMICAL RESISTANT TYGON	42in
13	004-900750	SIGHT GLASS SHIELD FUEL TANK 600GTS	1
	004-901170	SIGHT GLASS SHIELD FUEL TANK 600GTS GRN	1
		The following components may not be shown	
	011-703500	CAP 2IN MPT NON-SPILL PRESS/VAC RLF GALV	1
	001-900913	LOCK LONG SHANK (SAME KEY AS 001-702054)	1
	001-900792	CLP HOSE MINI HAS4 SLTD HEX HD SS	2



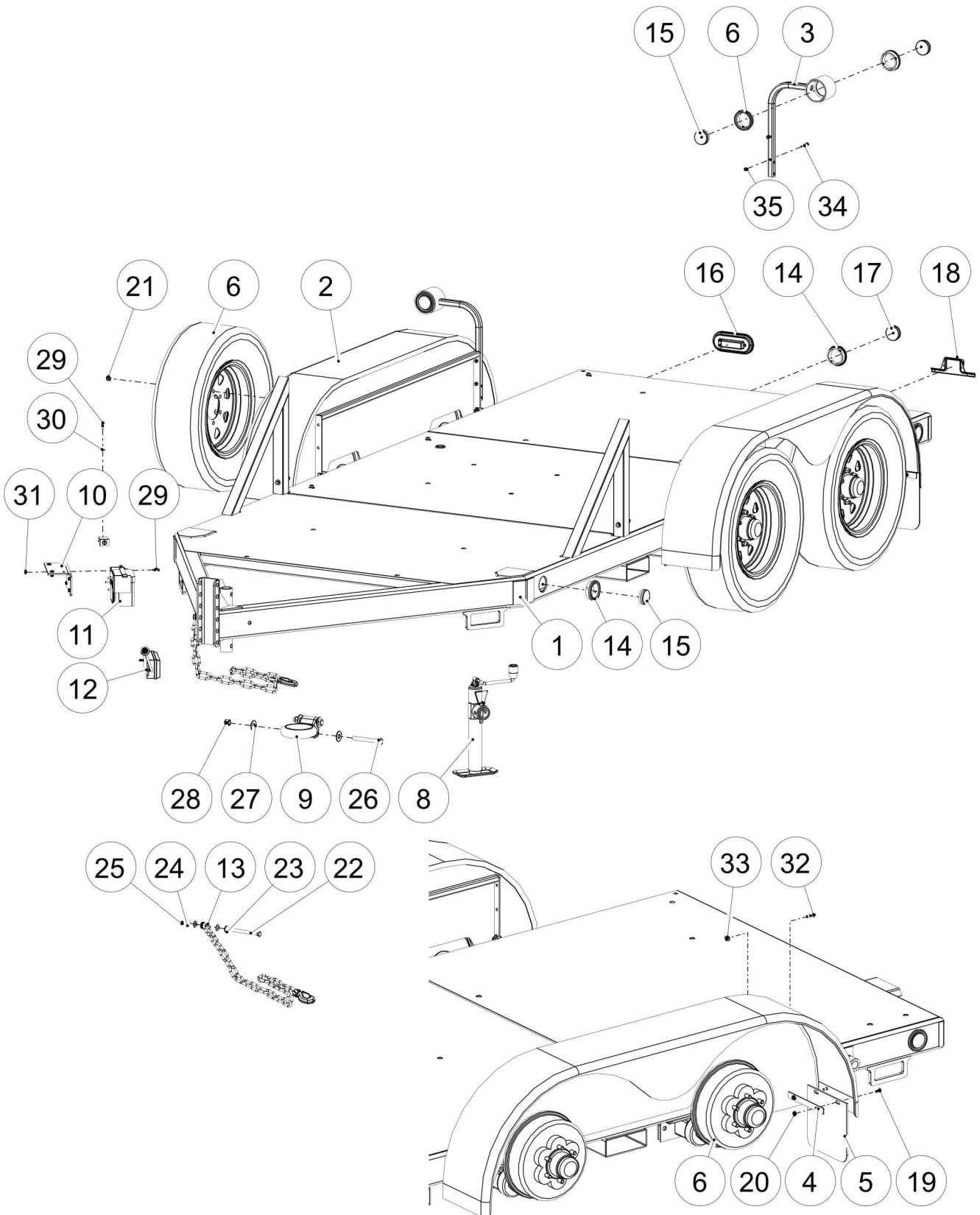




**Central Mobile Enclosure  
900 GTS Series  
Fuel Filter**

S/N: 153501 -  
S/N: 163305  
PAGE: 5.1.4

Item No.	Part No.	Description	Qty.
1	004-902777	BRKT MNT FUEL FLTR	1
2	012-702587	ADPTR FUEL FILTER MTG AL	1
3	012-702588	FILTER FUEL OIL PART/WTR COMB	1
4	011-901436	ADPTR 3/4NPT X #6JIC 37DEG FLARE	1
5	011-901129	ADPTR 90ELB #6JIC 37X3/4 MPT STL	1
6	001-701482	BOLT 1/4X3/4 PLD GR5	2
7	001-700934	WSHR LOCK 1/4 PLD	2
8	001-701482	BOLT 1/4X3/4 PLD GR5	3
9	001-700129	WSHR FLT 1/4 PLD	6
10	001-700042	NUT LKG NYL 1/4 UNC PLD	3





**Central Mobile Enclosure  
900 GTS Series  
Trailer**

S/N: 153501 -  
S/N: Current  
PAGE: 6.1.2

Item No.	Part No.	Description	Qty.
1	004-902121	FRAME MAIN GTS6000-2 MOD 900	1
2	018-703352	FEN ASSY TR6000-2 TRLR	2
3	010-703334	MNT CLEARANCE LIGHT TRLR	2
4	004-703336	PLT MUD GD MNT TR6000-2	2
5	004-703335	MUD GD 10X10	2
6	012-903466	AXLE #11 TORFLEX 22.5DEG UP 6000LB TRK WD=83	2
7	012-704396	WHEEL ASSY ST225/75R15 6BLT LR-E	4
8	012-703003	JACK TOPWIND 5000LB 10IN LIFT	1
9	004-701955	LUNETTE EYE 3 INCH	1
10	010-702025	BRKT BRKAWY SYS	1
11	004-701984	BREAKAWAY PKG	1
12	002-901215	BOX JUNCTION TRLR ELEC 7 POLE	1
13	012-901107	CHAIN SAF 3/8X35 CW LATCH-HOOK 1/2IN LINK	2
14	002-703321	GROM LAMP 2-1/2 INCH	11
15	002-903030	LIGHT AMBER CLEARANCE 2.5IN LED	4
16	002-903032	LIGHT TAIL OVAL 6IN LED	2
17	002-903031	LIGHT RED CLEARANCE 2.5IN LED	7
18	002-701961	LIGHT LICENSE PLT	1
19	001-703307	BOLT CRG 5/16X3/4 UNC PLD GR5	4
20	001-703308	NUT FLG 5/16 UNC PLD	4
21	001-703962	NUT WHEEL 1/2 UNF	24
22	001-901105	BOLT 1/2X5 GR8 UNC PLD	2
23	001-700100	WSHR FLT 1/2 PLT PLD	10
24	001-901106	WSHR FLT 1/2 GR8 PLD	4
25	001-703279	NUT LKG UNITORQUE 1/2 UNC PLD	2
26	001-702203	BOLT 5/8X5 UNC PLD GR5	2
27	001-703306	WSHR FLAT 5/8 PLT PLD	4
28	001-700950	NUT LKG NYL 5/8 UNC PLD	2
29	001-703316	BOLT 1/4X7/8 PLD GR5	7
30	001-700129	WSHR FLT 1/4 PLD	4
31	001-700042	NUT LKG NYL 1/4 UNC PLD	7
32	001-700960	BOLT 3/8X1-1/4 PLD GR5	8
33	001-700721	NUT LKG NYL 3/8 UNC PLD	8
34	001-700822	BOLT 5/16X2 PLD GR5	4
35	001-700741	NUT LKG NYL 5/16 UNC PLD	4
		The following components may not be shown	
	002-903033	GROM LAMP 6IN OVAL	2
	009-701995	GROM RBR 1X11/16	7



**Central Mobile Enclosure  
900 GTS Series  
Hoses and Fuel Lines**

S/N: 153501 -  
S/N: Current  
PAGE: 7.1.1

Item No.	Part No.	Description	Qty.
		<b>HE SUPPLY PLUMB TO PUMP</b>	
1	013-700267	HOSE 2 VERSIFLO CW WIRE HELIX	24IN
		<b>PUMP TO SUPPLY PLUMB</b>	
2	013-700267	HOSE 2 VERSIFLO CW WIRE HELIX	10IN
		<b>RETURN PLUMB TO HE RETURN PLUMB</b>	
3	013-700267	HOSE 2 VERSIFLO CW WIRE HELIX	12IN
		<b>CIRC HTR TO HE INLET</b>	
4	013-702636	HOSE 1 RED	45IN
		<b>SUPPLY PLUMB TO DANFOSS (TEMP)</b>	
5	013-702636	HOSE 1 RED	12IN
		<b>SUPPLY PLUMB TO FLOW REV (1)</b>	
6	013-704064	HOSE 1-1/2ID SUCTION WIRE HELIX	30IN
		<b>FLOW REV (1) TO MANF</b>	
7	013-704064	HOSE 1-1/2ID SUCTION WIRE HELIX	55IN
		<b>FLOW REV (1) TO FLOW REV (2)</b>	
8	013-704064	HOSE 1-1/2ID SUCTION WIRE HELIX	50IN
		<b>FLOW REV (2) TO MANF</b>	
9	013-704064	HOSE 1-1/2ID SUCTION WIRE HELIX	55IN
		<b>FLOW REV (2) TO RETURN PLUMB</b>	
10	013-704064	HOSE 1-1/2ID SUCTION WIRE HELIX	30IN
		<b>PRV TO RETURN PLUMB</b>	
11	013-702635	HOSE 3/4 RED	13IN
		<b>GLY TANK TO OVERFLOW</b>	
12	013-702635	HOSE 3/4 RED	72IN
		<b>DANFOSS TO AIR PREHTR</b>	
13	013-702633	HOSE 3/8 RED	32IN
		<b>AIR PREHTR TO RETURN PLUMB</b>	
14	013-702633	HOSE 3/8 RED	63IN
		<b>DANFOSS TO FUEL PREHTR</b>	
15	013-702633	HOSE 3/8 RED	60IN
		<b>FUEL PREHTR TO RETURN PLUMB</b>	
16	013-702633	HOSE 3/8 RED	32IN
		<b>GLY TANK TO SIGHT GLASS (BOTTOM)</b>	
17	013-702633	HOSE 3/8 RED	65IN
		<b>SIGHT GUAGE TO GLY TANK (TOP)</b>	
18	013-702633	HOSE 3/8 RED	55IN
		<b>GLY TANK TO SUPPLY PLUMB</b>	
19	013-702633	HOSE 3/8 RED	14IN
		<b>AIR PREHTR TO BURNER</b>	
20	013-702615	DUCT FLEX 6INX25FT THERMAFLEX	56IN
		<b>FUEL LINES</b>	
21	004-704663	FUEL LINE 1/4X49IN #6/#6JICF 37DEG STR SWV	1
22	004-903489	FUEL LINE 1/4X33IN #6JICF 37DEG STR SWV	1
23	004-903490	FUEL LINE 1/4X37IN #6JICF 37DEG STR SWV	1
24	004-902279	FUEL LINE 1/4X20-1/2IN #6JICF SWVL ENDS	1



**Central Mobile Enclosure  
900 GTS Series  
Exterior Decals**

S/N: 153501 -  
S/N: Current  
PAGE: 8.1.1



Item No.	Part No.	Description	Qty.
1	003-900483	DECAL GREENTHAW BY DRYAIR 15.8X3.8	2
2	003-901113	DECAL GREENTHAW BY DRYAIR 16.5X4 WHT	2
3	003-900678	DECAL SUB40	2
4	003-901115	DECAL SUB40 WHT	2
5	003-900478	DECAL GREENTHAW 58.5X10	3
6	003-901111	DECAL GREENTHAW 58.5X10 WHT	3
7	003-902162	DECAL GTS900 16.75 X 3.25	2
8	003-902994	DECAL 900GTS 16.75X3.25 WHT	2
9	003-901009	DECAL WWW.DRYAIR.CA 21.75X2.18	3
10	003-901114	DECAL WWW.DRYAIR.CA 22.25X2 WHT	3
11	003-906742	DECAL QR OP MAN 900 GTS	1



# Central Mobile Enclosure 900 GTS Series Exterior Decals

S/N: 153501 -  
S/N: Current  
PAGE: 8.1.2

**1**

**SAFETY FIRST  
LA SÉCURITÉ**

OBSERVE ALL SAFETY PRECAUTIONS AS OUTLINED BY OCCUPATIONAL HEALTH & SAFETY REFER TO SERVICE MANUAL FOR DETAILS  
RESPECTEZ TOUTES LES PRÉCAUTIONS COMME INDIQUÉ PAR SANTÉ ET SÉCURITÉ AU TRAVAIL, CONSULTEZ LE MANUEL DE SERVICE POUR LES DÉTAILS

003-700159-R02

**2**

**POWER SUPPLY  
230 VOLT  
SINGLE PHASE  
CONNECTION  
4-WIRE**

**ELECTRICAL CONNECTION**

003-701466-R1

**3**

**MADE IN CANADA  
FABRIQUÉ AU CANADA**

003-703323R01

**4**

**HEAT TRANSFER FLUID LEVEL**

SAFE OPERATING RANGE BETWEEN 1/4 and 3/4 ON THE LEVEL GAUGE  
CHECK FLUID LEVELS DAILY  
USE ONLY APPROVED ANTIFREEZE (HTF) / WATER MIXTURE

**NIVEAU DE FLUIDE CALOPORTEUR**

GAMME DE FONCTIONNEMENT SÛRE ENTRE 1/4 ET 3/4 SUR LA JAUGE DE NIVEAU  
VÉRIFIEZ LES NIVEAUX DE FLUIDE QUOTIDIENNEMENT  
UTILISEZ MÉLANGE D'ANTIGEL FLUIDE CALOPORTEUR/D'EAU

003-701454-R03

**5**

**TANK MUST BE EMPTIED BEFORE TRANSPORT WITHIN CANADA**

003-904737

**6**

**DIESEL FUEL ONLY  
DIESEL SEULEMENT**

This appliance is rated for #1 or #2 light oil/diesel  
Cet appareil est classé pour #1 et #2 pétrole léger/diesel

003-702435

**7**

**LIGHT OIL/DIESEL  
PÉTROLE LÉGER/DIESEL**

003-702436 R2

**8**

**WARNING! ATTENTION!**

**LIFTING HOOKS ARE FOR REMOVING ENCLOSURE FROM TRAILER ONLY!**

LES CROCHETS DE LEVAGE SONT POUR RETIRER L'ENCEINTE DE REMORQUE SEULEMENT!

003-900786R01

**9**

**WARNING ATTENTION**

NOT FOR LIFTING OR TIE DOWN. HOOKS ARE FOR MANUFACTURING USE ONLY!  
PAS POUR LE LEVAGE OU ARRIMAGE. LES CROCHETS SONT POUR USAGE DE FABRICATION SEULEMENT!

003-901162R01

**10**

003-906823

**11**

**ATTENTION**

CE COUVERCLE DOIT ÊTRE EN PLACE AVANT DE METTRE LE BRÛLEUR EN MARCHÉ

003-906839

**12**

**DIESEL**

003-906842

Item No.	Part No.	Description	Qty.
1	003-700159	DECAL SAFETY FIRST	1
2	003-701455	DECAL ELEC 4WIRE HOOKUP	1
3	003-703323	DECAL MADE IN CANADA 1.5x3	1
4	003-701454	DECAL HTF FLUID LEVELS	1
5	003-904737	DECAL TANK MUST BE EMPTIED	1
6	003-702435	DECAL DSL ONLY MOD 2100 DSL	1
7	003-702436	DECAL STRIP DSL/LIGHT OIL MOD 2100	1
8	003-900786	DECAL FOR LIFTING ENCLOSURE OFF ONLY	4
9	003-901162	DECAL NOT FOR LIFTING OR TIE DOWN	6
10	003-906823	DECAL GND SYMBOL	1
11	003-906839	DECAL ATTN BNR COVER INSTALLED FRENCH ONLY	1
12	003-906842	DECAL DIESEL 2-1/2X1	2

**1**

**CAUTION!**  
**ATTENTION!**  
**HOT / CHAUD GLYCOL**  
180°F (82°C)  
SHUT OFF BALL VALVES  
BEFORE CONNECTING/DISCONNECTING  
CAM-LOCKS  
LE ROBINET À BILLE DOIT ÊTRE FRÉMÉ  
AVANT CONNEXION/DÉCONNEXION DE  
SERRURES

**SUPPLY**  
**ALIMENTATION**

003-702437-001

**2**

**CAUTION!**  
**ATTENTION!**  
**HOT / CHAUD GLYCOL**  
180°F (82°C)  
SHUT OFF BALL VALVES  
BEFORE CONNECTING/DISCONNECTING  
CAM-LOCKS  
LE ROBINET À BILLE DOIT ÊTRE FRÉMÉ  
AVANT CONNEXION/DÉCONNEXION DE  
SERRURES

**RETURN**  
**RETOURNE**

003-702438-001

**3**

**PROPYLENE GLYCOL**  
**HEAT TRANSFER FLUID**

DOWPROST 1800  
 DOWPROST 80/40  
 DOWPROST 50/50  
 CNM (80SS) 1800  
 CNM (80SS) 80/40  
 CNM (80SS) 50/50

**PRECAUTIONS:**  
This is a highly flammable liquid. It is not to be used in any application where it could come in contact with an open flame or other source of ignition. It is not to be used in any application where it could come in contact with a hot surface or other source of heat. It is not to be used in any application where it could come in contact with a high voltage source or other source of electrical energy. It is not to be used in any application where it could come in contact with a moving part or other source of mechanical energy. It is not to be used in any application where it could come in contact with a person or other living being. It is not to be used in any application where it could come in contact with a pet or other animal. It is not to be used in any application where it could come in contact with a child or other vulnerable person. It is not to be used in any application where it could come in contact with a pregnant woman or other person who is or may become pregnant. It is not to be used in any application where it could come in contact with a nursing infant or other person who is or may become a nursing infant. It is not to be used in any application where it could come in contact with a person who is or may become a person with a disability. It is not to be used in any application where it could come in contact with a person who is or may become a person with a chronic condition. It is not to be used in any application where it could come in contact with a person who is or may become a person with a mental health condition. It is not to be used in any application where it could come in contact with a person who is or may become a person with a substance use disorder. It is not to be used in any application where it could come in contact with a person who is or may become a person with a history of self-harm or suicidal thoughts. It is not to be used in any application where it could come in contact with a person who is or may become a person with a history of violence or other criminal behavior. It is not to be used in any application where it could come in contact with a person who is or may become a person with a history of sexual assault or other sexual violence. It is not to be used in any application where it could come in contact with a person who is or may become a person with a history of human trafficking or other forms of exploitation. It is not to be used in any application where it could come in contact with a person who is or may become a person with a history of forced labor or other forms of modern slavery. It is not to be used in any application where it could come in contact with a person who is or may become a person with a history of human rights violations or other forms of abuse. It is not to be used in any application where it could come in contact with a person who is or may become a person with a history of environmental damage or other forms of harm to the planet. It is not to be used in any application where it could come in contact with a person who is or may become a person with a history of climate change or other forms of global warming. It is not to be used in any application where it could come in contact with a person who is or may become a person with a history of biodiversity loss or other forms of ecosystem degradation. It is not to be used in any application where it could come in contact with a person who is or may become a person with a history of water pollution or other forms of environmental contamination. It is not to be used in any application where it could come in contact with a person who is or may become a person with a history of air pollution or other forms of atmospheric degradation. It is not to be used in any application where it could come in contact with a person who is or may become a person with a history of soil degradation or other forms of land use change. It is not to be used in any application where it could come in contact with a person who is or may become a person with a history of deforestation or other forms of habitat loss. It is not to be used in any application where it could come in contact with a person who is or may become a person with a history of species extinction or other forms of biodiversity loss. It is not to be used in any application where it could come in contact with a person who is or may become a person with a history of climate change or other forms of global warming. It is not to be used in any application where it could come in contact with a person who is or may become a person with a history of biodiversity loss or other forms of ecosystem degradation. It is not to be used in any application where it could come in contact with a person who is or may become a person with a history of water pollution or other forms of environmental contamination. It is not to be used in any application where it could come in contact with a person who is or may become a person with a history of air pollution or other forms of atmospheric degradation. It is not to be used in any application where it could come in contact with a person who is or may become a person with a history of soil degradation or other forms of land use change. It is not to be used in any application where it could come in contact with a person who is or may become a person with a history of deforestation or other forms of habitat loss. It is not to be used in any application where it could come in contact with a person who is or may become a person with a history of species extinction or other forms of biodiversity loss.

**UNIVAR SOLUTIONS (DOWPROST)**  
10000 010111 | 1 rue de la Vallée  
F-59100 ROUBAIX | www.univar.com

**BOSSÉ LABORATOIRES**  
10000 010111 | 1 rue de la Vallée  
F-59100 ROUBAIX | www.bosse.com

003-906384-001

**4**

**RECOMMENDED:**  
**1 LENGTH = 500 FT**

**DO NOT EXCEED:**  
**2 LENGTHS = 1000 FT**

**CONSEILLÉ:**  
**1 LONGUEUR = 500 PI**

**NE DÉPASSE PAS:**  
**2 LONGUEURS = 1000 PI**

003-903279-001

**5**

**NORMAL OPERATING POSITION**  
- Valve position for normal system operation  
- Will return warm fuel into fuel supply line

**PURGING POSITION**  
- Valve position for returning fuel to tank  
- Used to purge air from fuel system

**POSITION DE FONCTIONNEMENT NORMALE**  
- Position de vanne pour fonctionnement de système normal  
- Retournera carburant chaud dans la ligne d'alimentation de carburant

**POSITION DE PURGE**  
- Position de vanne pour retourner le carburant au réservoir  
- Utilisé pour purger l'air du système de carburant

003-702888-001

**6**

**ATTENTION!**

This unit is designed for use as a **NON-PRESSURE VESSEL**.  
- The unit includes an open atmosphere vented expansion tank.  
- The expansion tank is integrally connected to the heat-exchange section of the water heater by means of a permanently open line (see valves).

Cet appareil est conçu pour une utilisation comme un navire sans pression.  
- L'appareil inclut un couvercle réservoir d'expansion atmosphérique ventilé.  
- Le réservoir d'expansion est relié intégralement à la section d'échange de chaleur du chauffe-eau au moyen d'une ligne ouverte en permanence (voir les vannes).

The heat exchange section connects to the inlet side of the circulating pump and therefore, only residual atmospheric pressure is present within the heat exchange section.  
- The pressure relief valve that is installed on the heat exchange section functions only as a secondary level of safety in the event that the tank vent becomes blocked.

La section d'échange de chaleur se connecte à la côté d'entrée de la pompe de circulation et donc, seulement la pression atmosphérique résiduelle est présente à l'intérieur de la section d'échange de chaleur.  
- Le dispositif de débruyement installé sur la section d'échange de chaleur fonctionne uniquement comme un niveau de sécurité secondaire dans le cas où l'évent du réservoir devient bloqué.

003-902610-001

**7**

**ATTENTION!**

**CLOSE VALVES FOR OPERATION WITH EXTENDED GLYCOL RESERVOIR**

FERMEZ LES VANNES POUR EXPLOITATION AVEC RÉSERVOIR LONG DURÉE DE GLYCOL

003-901187-002

**8**

**PARTICULATE & WATER BLOCK FILTER REMOVES FOREIGN DEBRIS & WATER FROM FUEL**

FILTRE DE BLOQUAGE DE LEAU ET DES PARTICULES

003-702430-002

**9**

**DO NOT ADJUST**  
**DO NOT ADJUST**

**FLOW REVERSE**  
**INVERSEUR DE FLUX**

003-903278-001

**10**

**DO NOT ADJUST**  
**DO NOT ADJUST**

003-702729-001

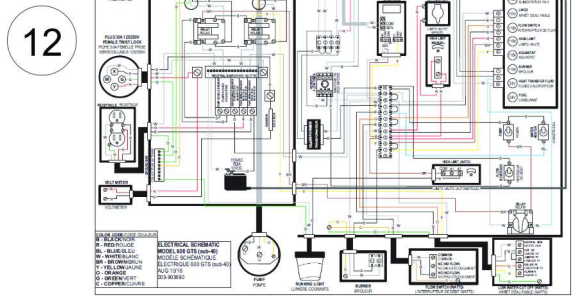
**11**

**ADJUSTMENTS MUST BE DONE BY A QUALIFIED TECHNICIAN ONLY**

ADJUSTMENTS DOIVENT ÊTRE FAITS PAR UN TECHNICIEN QUALIFIÉ SEULEMENT

**DO NOT ADJUST!**  
**N'AJUSTEZ PAS!**

003-700172-002



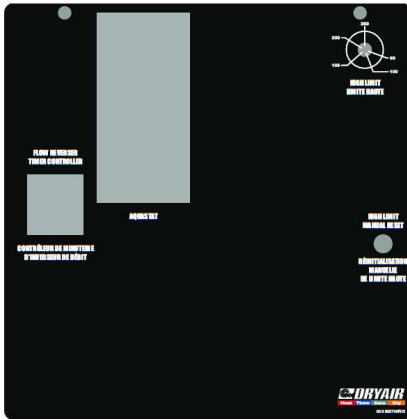
Item No.	Part No.	Description	Qty.
1	003-702437	DECAL CAUTION SPLY HOT GLY MOD 2100	1
2	003-702438	DECAL CAUTION RETURN HOT GLY MOD 2100	1
3	003-906384	DECAL GLYCOL SAFETY	1
4	003-903279	DECAL HOSE REEL MAX LOOP LENGTH	1
5	003-702888	DECAL 3-WAY FUEL VLV MOD 2100	1
6	003-902610	DECAL NON CERTIFIED-PRESS VESSEL 4.50X4.50	1
7	003-901187	DECAL ATTN CLOSE VLVS	1
8	003-702430	DECAL FUEL/WATER FLTR MOD 2100	1
9	003-903278	DECAL FLOW REV DO NOT ADJ	1
10	003-702729	DECAL FUEL PRESS ARROW MOD 2100	1
11	003-700172	DECAL DO NOT ADJ	1
12A	003-903690	DECAL ELEC SCHEM DSL 600/900GTS A421	1
12B	003-903689	DECAL ELEC SCHEM DSL MOD 600GTS 115V A421	1
12C	003-903673	DECAL ELEC SCHEM 600GTS-DG	1
12D	003-900770	DECAL ELEC SCHEM DSL MOD 600-GTS 115V	1



# Central Mobile Enclosure 900 GTS Series Interior Decals

S/N: 153501 -  
S/N: Current  
PAGE: 8.1.4

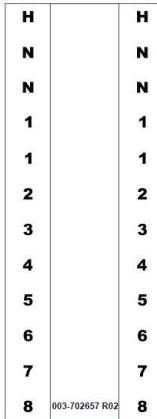
1



2



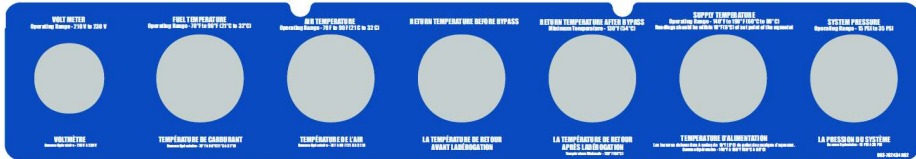
3



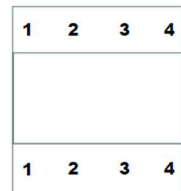
4



5



6



7

**TROUBLESHOOTING**  
**INDICATOR LIGHTS**  
\* There are 6 power lights on the control panel, which indicate the status of a sequence of functions while the unit is running.  
\* When burner is on, all green lights should be on as well. Any light which is not should be considered abnormal.  
\* Aquabid and burner light go off and on in the burner cycles.  
\* The manual stop, located behind the control panel, must be accessed to initiate troubleshooting procedures.

**No power at out-going side of water heater toggle switch.**  
Check for 120 volt power between wires #1 and #11 on the terminal strip. If there is no power, check the following:  
(1) Check that the water heater circuit breaker has not been switched off.  
(2) Check that the water heater circuit breaker has not been tripped.  
(3) Check for power in and out of breaker and toggle switch.  
(4) Check that correct power supply has been connected to unit.  
Investigate power source and be certain that the power characteristics are correct: (110/120 volt, 50 amp, single phase, 60 Hertz, 2000 TO 2000, 200 TO 2000 - 2 AWG.)

**No power at terminal #2**  
Check for 120 volt power between wires #1 and #2 on the terminal strip. If there is no power, check the following:  
(1) Low water situation. Check fuel level in tank and add if necessary.  
(2) Check flow in the water coil off. Replace if required.

**No power at flow switch**  
Check for 120 volt power between wires #1 and #5 on the terminal strip. If there is no power, check the following:  
(1) Pump not running. Check pump breaker and toggle switch on control panel.  
(2) Check for 120 volts at pump motor if correct power is confirmed at meter, but pump won't run, replace pump.  
(3) Inadequate flow. Check that air valve is open in the fuel transfer loop. Filter screen may be plugged. Use flush hose/valve attachment with a bucket when pump is running to flush from everything the system may have to be drained and the filter screen removed and cleaned by hand. If no response, use air check off, check the pressure by-pass valve in open.  
(4) Defective flow switch. If #1 and #5 is checked, the flow switch will need to be re-calibrated or replaced.

**No power at out-going side of high limit switches.**  
Check for 120 volt power between wires #1 and #6 on the terminal strip. If there is no power, check the following:  
(1) Manual reset high limit. Check and reset if it has tripped.  
(2) Check switch settings. The adjustment high limit should be set 10°F higher than the set point of the aquastat, and the manual reset high limit should be set 10°F higher than the adjustment high limit switch.  
(3) Determine which high limit switch is defective and replace.

**No power all aquabid**  
Check for 120 volt power between wires #1 and #5 on terminal strip. If there is no power, check the following:  
(1) Check fuel setting on aquabid. It should be set to match the product's properties in its well.  
(2) Check fuel setting on aquabid. It should be set to match the product's properties in its well.  
(3) Check fuel setting on aquabid. It should be set to match the product's properties in its well.

FOR ADDITIONAL ASSISTANCE, CALL (1888) 750 1700  
003-702431 R02

8

**DÉPANNAGE**  
**TÉMOIN SALLUME**  
\* Il y a 6 lampes vertes sur le panneau de commande, qui indiquent l'état d'une séquence de fonctions tandis que l'appareil fonctionne.  
\* Lorsque le brûleur est allumé, toutes les lampes vertes doivent être allumées aussi.  
\* Toute une lampe qui est éteinte ou qui clignote, doit être considérée comme anormale.  
\* La lampe d'aquabid et de brûleur s'éteint et s'allume alors que le brûleur est allumé.

**La batterie de recommandation, située derrière le panneau de commande, doit être vérifiée pour éviter les problèmes de démarrage.**

**Assurance alimentation à côté sortant d'interrupteur à bascule de chauffage.**  
Vérifiez s'il y a 120 volts de puissance entre les fils #1 et #11 sur la batterie de recommandation. S'il n'y a pas de puissance, vérifiez les points suivants:  
(1) Vérifiez que le disjoncteur n'a pas été allumé.  
(2) Vérifiez que l'interrupteur à bascule de chauffage n'a pas été éteint.  
(3) Vérifiez la puissance en et hors de disjoncteur et interrupteur à bascule.  
(4) Vérifiez que l'arrivée de puissance est connectée au panneau de commande.  
(5) Vérifiez que l'arrivée de puissance est connectée au panneau de commande.  
(6) Vérifiez que l'arrivée de puissance est connectée au panneau de commande.  
(7) Vérifiez que l'arrivée de puissance est connectée au panneau de commande.  
(8) Vérifiez que l'arrivée de puissance est connectée au panneau de commande.  
(9) Vérifiez que l'arrivée de puissance est connectée au panneau de commande.  
(10) Vérifiez que l'arrivée de puissance est connectée au panneau de commande.

**Assurance alimentation à terminal #2**  
Vérifiez s'il y a 115 volt de puissance entre les fils #1 et #2 sur la batterie de recommandation. S'il n'y a pas de puissance, vérifiez les points suivants:  
(1) Situation de bas niveau d'eau. Vérifiez niveau de carburant dans le réservoir.  
(2) Situation de bas niveau d'eau. Vérifiez niveau de carburant dans le réservoir.  
(3) Vérifiez la tige de remplissage à ses niveaux deux. Remplacez si besoin.

**Assurance alimentation au commutateur de flux**  
Vérifiez s'il y a 115 volt de puissance entre les fils #1 et #5 sur la batterie de recommandation. S'il n'y a pas de puissance, vérifiez les points suivants:  
(1) Pompe ne fonctionne pas. Vérifiez le disjoncteur de pompe et l'interrupteur à bascule sur le panneau de commande. Vérifiez s'il y a du jus au niveau de la pompe. Si la puissance continue, vérifiez la continuité de la pompe.  
(2) Inadéquation de débit. Vérifiez que toutes les vannes sont ouvertes dans le circuit de transfert de fluide. Vérifiez que l'écran de la pompe est correctement installé. Utilisez le bouton du lavage de la vanne de flux dans un sens.  
(3) Filtrage. Vérifiez que toutes les vannes sont ouvertes dans le circuit de transfert de fluide. Vérifiez que l'écran de la pompe est correctement installé. Utilisez le bouton du lavage de la vanne de flux dans un sens.  
(4) Système non réglé. Vérifiez que toutes les vannes sont ouvertes dans le circuit de transfert de fluide. Vérifiez que l'écran de la pompe est correctement installé. Utilisez le bouton du lavage de la vanne de flux dans un sens.  
(5) Défaut de la pompe. Vérifiez que toutes les vannes sont ouvertes dans le circuit de transfert de fluide. Vérifiez que l'écran de la pompe est correctement installé. Utilisez le bouton du lavage de la vanne de flux dans un sens.  
(6) Défaut de la pompe. Vérifiez que toutes les vannes sont ouvertes dans le circuit de transfert de fluide. Vérifiez que l'écran de la pompe est correctement installé. Utilisez le bouton du lavage de la vanne de flux dans un sens.  
(7) Défaut de la pompe. Vérifiez que toutes les vannes sont ouvertes dans le circuit de transfert de fluide. Vérifiez que l'écran de la pompe est correctement installé. Utilisez le bouton du lavage de la vanne de flux dans un sens.  
(8) Défaut de la pompe. Vérifiez que toutes les vannes sont ouvertes dans le circuit de transfert de fluide. Vérifiez que l'écran de la pompe est correctement installé. Utilisez le bouton du lavage de la vanne de flux dans un sens.  
(9) Défaut de la pompe. Vérifiez que toutes les vannes sont ouvertes dans le circuit de transfert de fluide. Vérifiez que l'écran de la pompe est correctement installé. Utilisez le bouton du lavage de la vanne de flux dans un sens.  
(10) Défaut de la pompe. Vérifiez que toutes les vannes sont ouvertes dans le circuit de transfert de fluide. Vérifiez que l'écran de la pompe est correctement installé. Utilisez le bouton du lavage de la vanne de flux dans un sens.

**Assurance alimentation à côté sortant de commutateur de brûleur**  
Vérifiez s'il y a 115 volt de puissance entre les fils #1 et #6 sur la batterie de recommandation. S'il n'y a pas de puissance, vérifiez les points suivants:  
(1) Limites de température. Vérifiez que le thermostat est réglé à la température de fonctionnement normale.  
(2) Vérifiez le capteur de température, et vérifiez qu'il est réglé et correctement positionné dans les gaz de brûleur.  
(3) Vérifiez que le capteur de température est réglé à la température de fonctionnement normale.  
(4) Vérifiez que le capteur de température est réglé à la température de fonctionnement normale.  
(5) Vérifiez que le capteur de température est réglé à la température de fonctionnement normale.  
(6) Vérifiez que le capteur de température est réglé à la température de fonctionnement normale.  
(7) Vérifiez que le capteur de température est réglé à la température de fonctionnement normale.  
(8) Vérifiez que le capteur de température est réglé à la température de fonctionnement normale.  
(9) Vérifiez que le capteur de température est réglé à la température de fonctionnement normale.  
(10) Vérifiez que le capteur de température est réglé à la température de fonctionnement normale.

**Assurance alimentation à l'équivalent**  
Vérifiez s'il y a 115 volt de puissance entre les fils #1 et #5 sur la batterie de recommandation. S'il n'y a pas de puissance, vérifiez les points suivants:  
(1) Vérifiez que le panneau à l'aquabid est à la température de fonctionnement normale.  
(2) Vérifiez le capteur de température, et vérifiez qu'il est réglé et correctement positionné dans les gaz de brûleur.  
(3) Vérifiez que le capteur de température est réglé à la température de fonctionnement normale.  
(4) Vérifiez que le capteur de température est réglé à la température de fonctionnement normale.  
(5) Vérifiez que le capteur de température est réglé à la température de fonctionnement normale.  
(6) Vérifiez que le capteur de température est réglé à la température de fonctionnement normale.  
(7) Vérifiez que le capteur de température est réglé à la température de fonctionnement normale.  
(8) Vérifiez que le capteur de température est réglé à la température de fonctionnement normale.  
(9) Vérifiez que le capteur de température est réglé à la température de fonctionnement normale.  
(10) Vérifiez que le capteur de température est réglé à la température de fonctionnement normale.

FOR UNE ASSISTANCE SUPPLÉMENTAIRE, APPELÉZ (1888) 750 1700  
003-702431 R02

9



10



11



**Burner Lockout**  
Upon initial startup or in the event of a low fuel or gas incident the burner may lock out. The reset button on the burner front will be glowing orange/red.

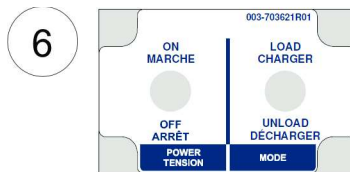
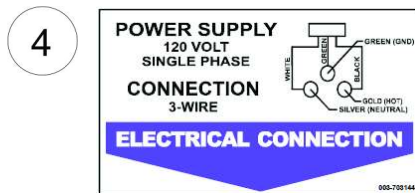
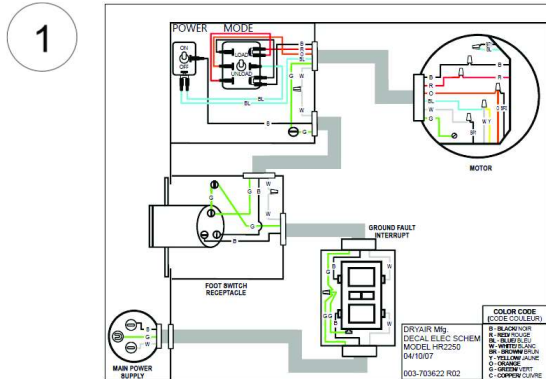
Proceed as follows:  
• Ensure all fuel/gas supply valves are open and that there are no leaks.  
• If (if equipped) Low Gas Pressure switch and High Gas Pressure switch have been reset.  
• Depress Burner reset button. Burner should run and initiate firing sequence.  
• If Burner fails to light, the Burner will lockout again.  
Multiple resets may be required to purge air from the fuel source.  
FOR ADDITIONAL ASSISTANCE, CALL (1888) 750 1700  
003-702431 R02

Item No.	Part No.	Description	Qty.
1	003-900740	DECAL START UP DAILY CHECK MOD GTS600	1
2	003-900739	DECAL IND LIGHTS SWITCHES MOD 600GTS	1
3	003-702657	DECAL VINYL XTERM HNN11-8 R02	1
4	003-702653	DECAL DIFFUSION TAPE 1IN X 6IN	1
5	003-702434	DECAL GAUGE PNL C/W INFO MOD 2100	1
6	003-702656	DECAL VINYL XTERM 1-4 R01	1
7	003-702439	DECAL TROUBLESHOOTING DSL MOD 2100	1
8	003-902925	DECAL TROUBLESHOOTING DSL MOD 2100 FRENCH	1
9	003-700162	DECAL DNGR 220V	1
10	003-702431	DECAL BRKR IDENT MOD 2100 DSL	1
11	003-905289	DECAL BURNER LOCKOUT	1

## Interior Decals

Part No. 023-905848  
Rev. 02 04-17-2023





Item No.	Part No.	Description	Qty.
1	003-703622	DECAL ELEC SCHEM MOD 2250-HR	1
2	003-906422	DECAL DRYAIR 12X2 NEW	1
3	003-703253	DECAL HEAT THAW CURE DRY 12 X .77	1
4	003-703144	DECAL ELEC HKP 3-WIRE	1
5	003-900787	DECAL NOT FOR DETACHED USE	1
6	003-703621	DECAL TOGGLE SW ID MOD 2250-HR	1
7	003-702207	DECAL DANGER DO NOT OPERATE	1
8	003-702206	DECAL DANGER USE EXTREME CARE	1
9	003-906754	DECAL QR OP MAN HOSE REEL	1

