



Heat

Dry

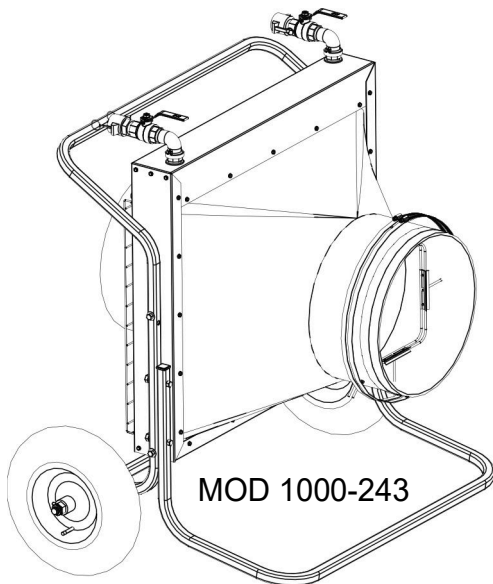
Thaw

Cure

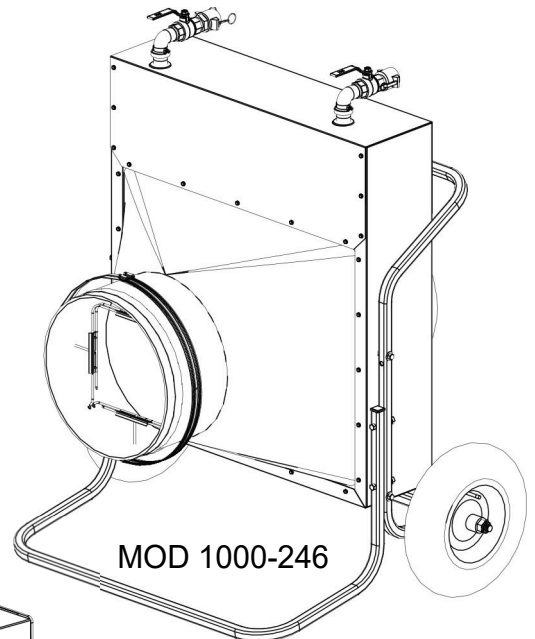
# PARTS CATALOGUE

## Ag Coils

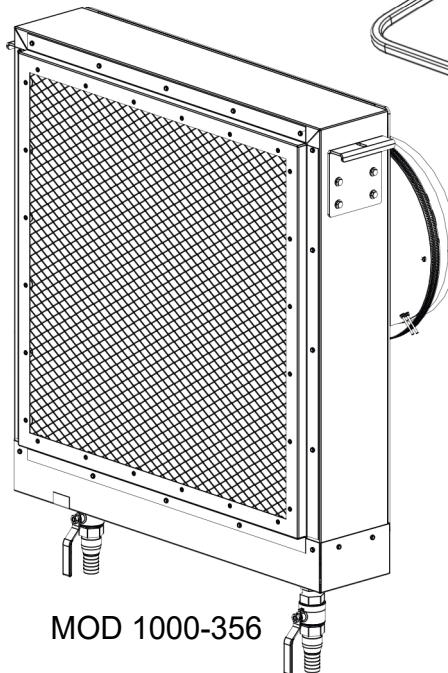
### MOD 1000-243, 1000-246, 1000-356



MOD 1000-243



MOD 1000-246



MOD 1000-356

**DRYAIR MANUFACTURING CORP.**  
PO BOX 126, 400 SERVICE ROAD  
ST. BRIEUX, SK S0K 3V0  
CANADA  
[www.dryair.ca](http://www.dryair.ca)

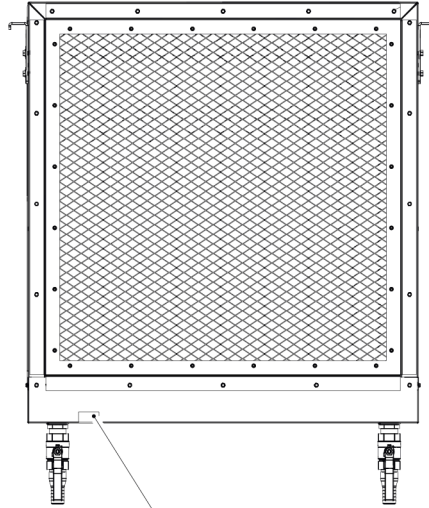
Tel: 1 (306) 275-4848  
Toll-Free: 1 (888) 750-1700  
Fax: 1 (306) 275-4664  
Email: [parts@dryair.ca](mailto:parts@dryair.ca)




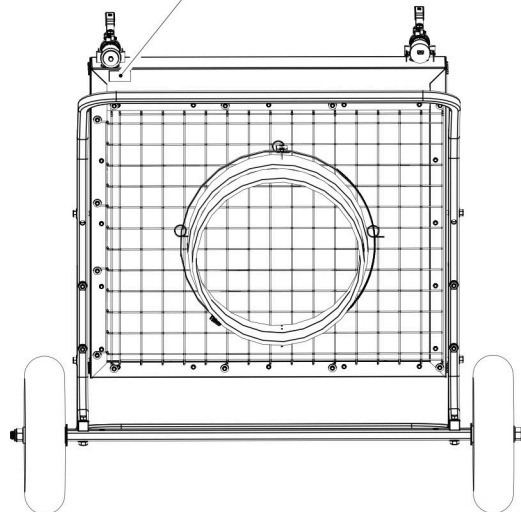
# Ag Coil

MOD 1000-243, 1000-246, 1000-356

## Serial Number Location



		P.O. Box 126 400 Service Road St. Brieux, Sk. Canada S0K 3V0	
Heat Coil Model:			
Part No.:			
Production Schedule:			
Reference:			
Max. Inlet Water Temperature			
003-700606 R03			





**Ag Coil**  
**MOD 1000-243, 1000-246, 1000-356**  
**Table of Contents**

Master..... 1.1.1

Coil ..... 1.1.3

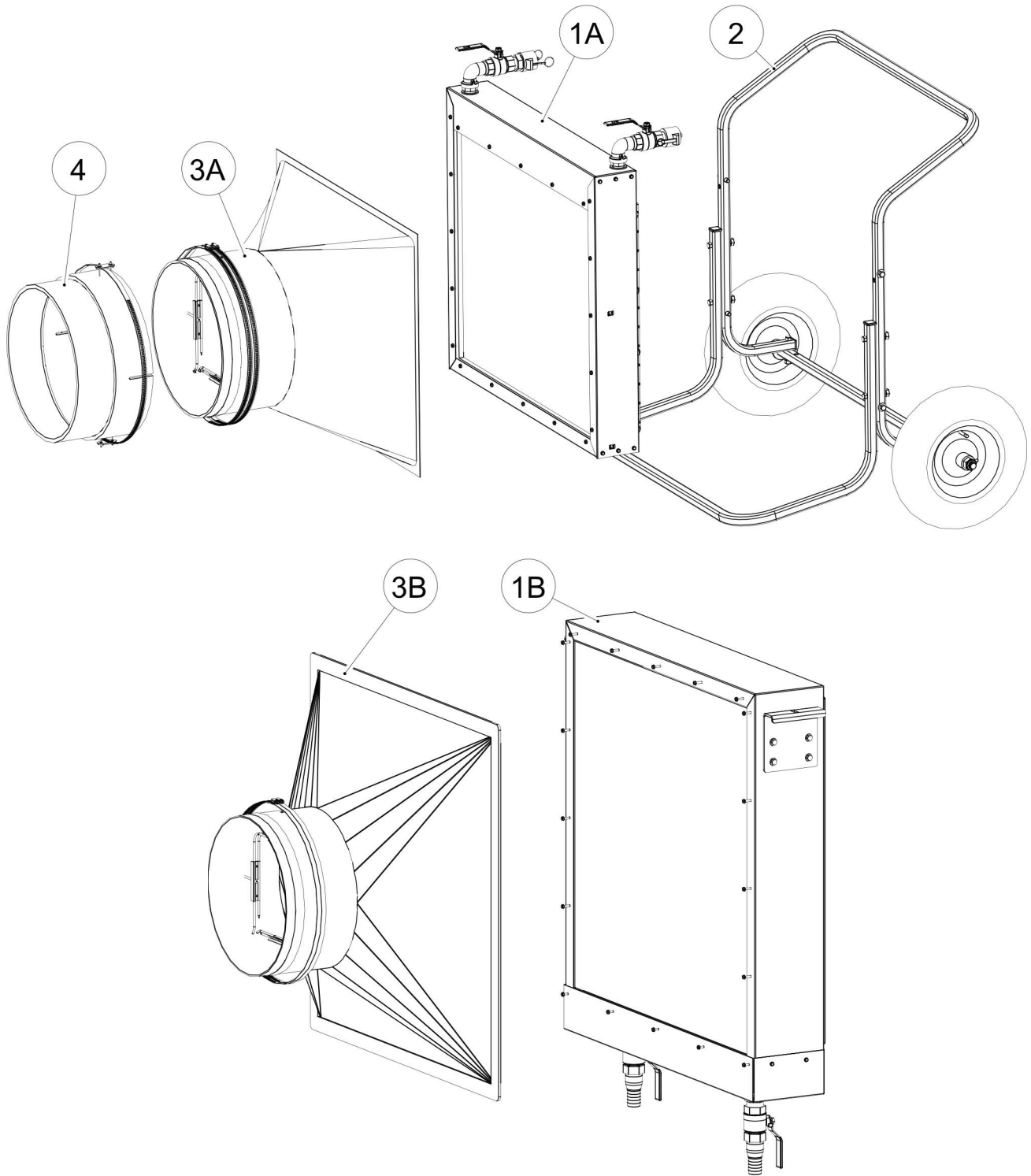
Cart..... 1.1.5

Transition..... 1.1.7

Sleeve ..... 1.1.9

Kamlocks..... 1.1.11

Decals ..... 1.1.13

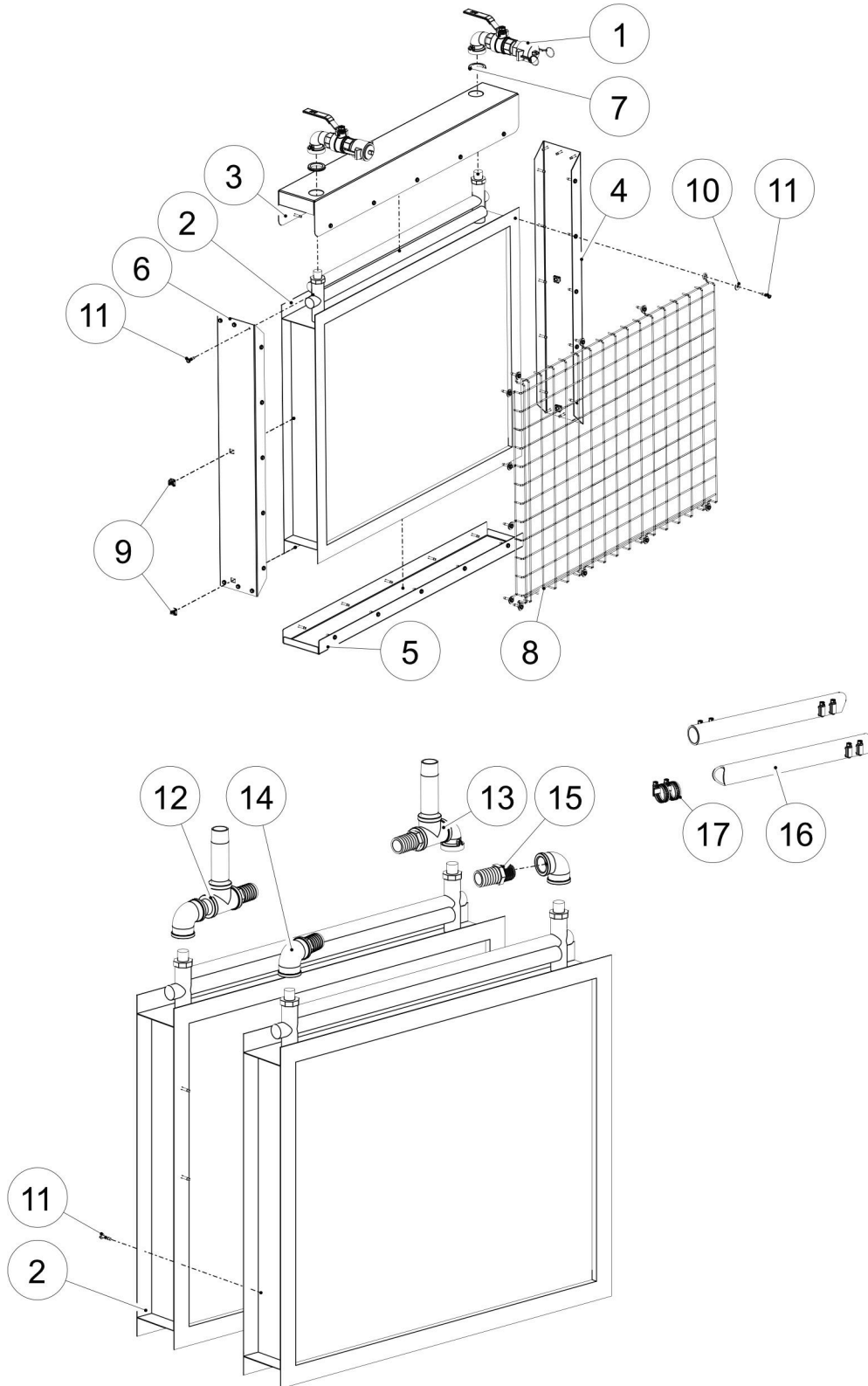




**Ag Coil**  
**MOD 1000-243, 1000-246, 1000-356**  
**Master**

S/N: 1105-01 -  
S/N: Current  
PAGE:1.1.2

Item No.	Part No.	Description	Qty.
1A		COIL (MOD 1000-243, 1000-246) - see page 1.1.3	
1B		COIL (MOD 1000-356) - see page 1.1.5	
2		CART - see page 1.1.7	
3A		TRANSITION (MOD 1000-243, 1000-246) - see page 1.1.9	
3B		TRANSITION (MOD 1000-356) - see page 1.1.11	
4		SLEEVE - see page 1.1.14	

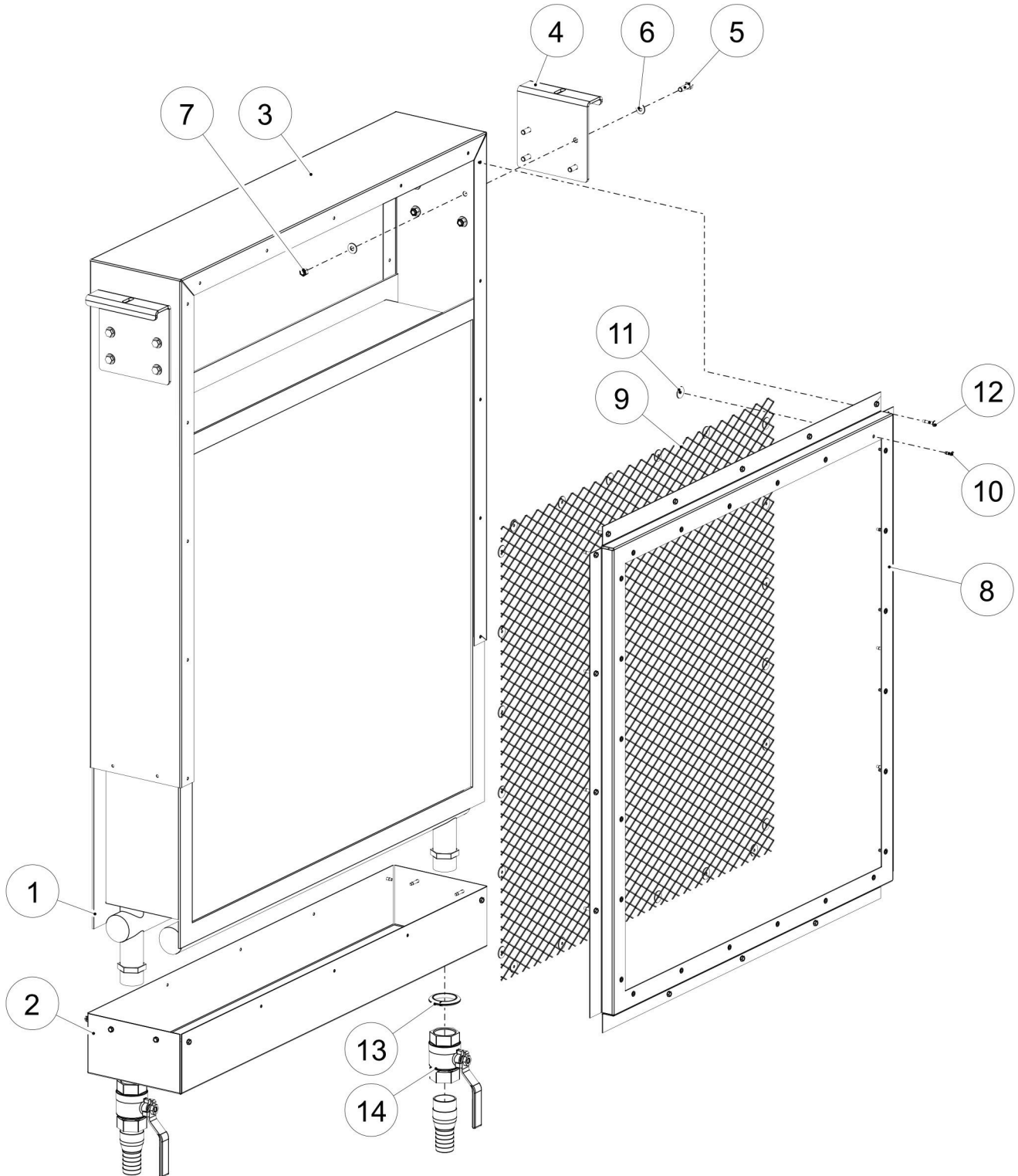




**Ag Coil**  
**MOD 1000-243, 1000-246**  
**Coil**

S/N: 1105-01 -  
 S/N: Current  
 PAGE: 1.1.4

Item No.	Part No.	Description	Qty.
1		KAMLOCKS - see page 1.1.15	
2	012-700058	COIL WTR 4WS3B-24TX24	1 OR 2
3A	004-700703	CHAN TOP PORT SGL COIL R05	1
3B	004-700780	CHAN TOP PORT DBL COIL R01	1
4A	004-700701	CHAN RIGHT PORT SGL COIL R04	1
4B	004-700783	CHAN RIGHT PORT DBL COIL R01	1
5A	004-700704	CHAN BOT PORT SGL COIL R05	1
5B	004-700781	CHAN BOT PORT DBL COIL R01	1
6A	004-700702	CHAN LEFT PORT SGL COIL R04	1
6B	004-700782	CHAN LEFT PORT DBL COIL R01	1
7	009-700156	GROM 1-1/4X1-1/2 RBR MOD200 HTCFT	2
8	004-700029	SCREEN 24X30 PORT COIL GD PTD	1
9	001-700722	NUT PNL RTNR 3/8-16SCR PNL THKNS .028-.056	4
10	001-700099	WSHR FNDR 3/4X3/16 PLD	12
11	001-700629	SCRW D/T 10-16X3/4 5/16HEX HD PLD	12
12	018-900470	PKG PLMB DBL AG INLET <small>(Includes 15)</small>	1
13	018-900471	PKG PLMB DBL AG OUTLET <small>(Includes 15)</small>	1
14	018-900472	PKG PLMB DBL AG CROSS OVER <small>(Includes 15)</small>	2
15	011-702227	NIPL COMB 1NPTX1-1/4(1-5/8L)HB BRS	4
16	013-700063	HOSE 1-1/4 VERSIFLO SUCT CW WIRE HLX	4 FT
17	001-700062	CLP HOSE HAS20 1-1/2 SLTD HEX HD	8



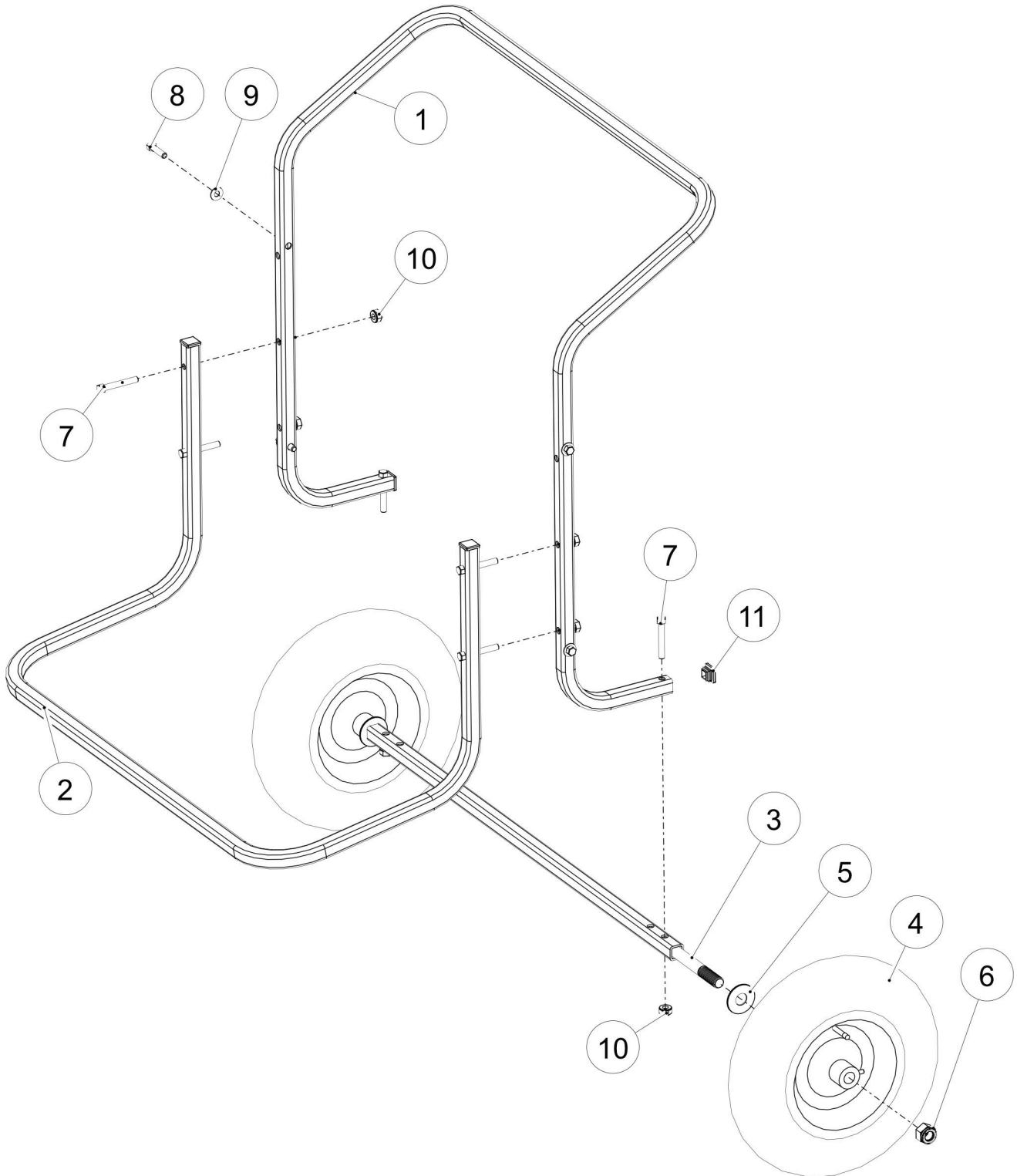




**Ag Coil**  
**MOD 1000-356**  
**Coil**

S/N: 1105-01 -  
S/N: Current  
PAGE: 1.1.6

Item No.	Part No.	Description	Qty.
1	012-904014	COIL 35X35-6 ROW 6R-35X35-X-TS	1
2	004-904090	SHELL UPR MOD 1000-356 INV	1
3	004-904054	SHELL CVR MOD 1000-356	1
4	004-904092	BRKT HANGER FLAT MOD 1000-356	2
5	001-700743	BOLT 5/16X1 PLD GR5	8
6	001-700742	WSHR FLT 5/16 PLD	16
7	001-700741	NUT LKG NYL 5/16 UNC PLD	8
8	004-904063	SCRN HLDR MOD 1000-356	1
9	004-904139	SCRN EM 34X34	1
10	001-700803	RIVET 5/32 GRP .3125-.375 SS	24
11	001-701208	WSHR FNDR 7/8X5/32 PLD	24
12	001-700629	SCRW D/T 10-16X3/4 5/16HEX HD PLD	40
13	009-904138	GROM 1.625IDX2ODX.0625GRV	2
14	011-700178	VLV BALL 1-1/4 400WOG FL PT BRS CGA NPTF	2

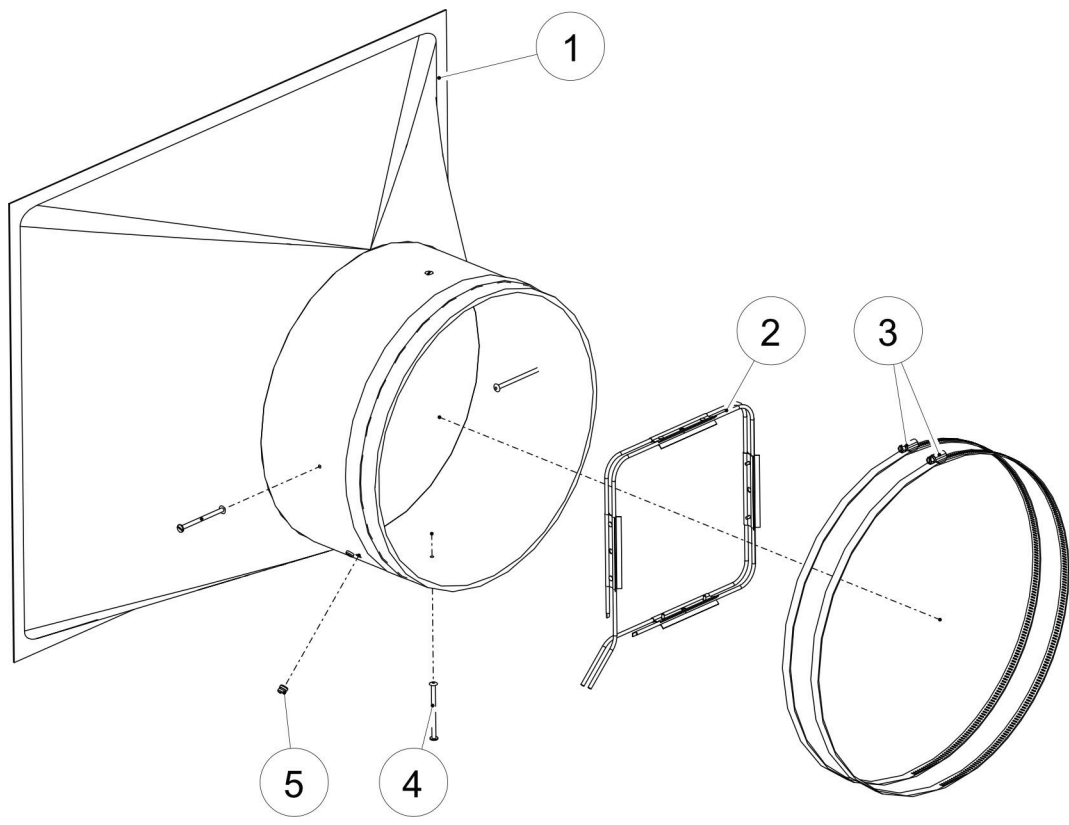




**Ag Coil**  
**MOD 1000-243, 1000-246**  
**Cart**

S/N: 1105-01 -  
S/N: Current  
PAGE: 1.1.8

Item No.	Part No.	Description	Qty.
1	004-700745	STAND MAIN 124-3/4 L HT COIL FRAME R01	1
2	000-700744	STAND LEG 90 FAN-COIL R01	1
3	000-701648	ASSY AXLE 37-1/2L	1
4	000-701441	ASSY TIRE WB 4.80-4.00X8	2
5	001-700546	WSHR FLT 3/4 PLD	2
6	001-700544	NUT LKG NYL 3/4 UNC PLD	2
7	001-700726	BOLT 3/8X2-1/2 PLD GR5	6
8	001-700720	BOLT 3/8X1-1/2 PLD GR5	4
9	001-700719	WSHR FLT 3/8 PLD	4
10	001-700721	NUT LKG NYL 3/8 UNC PLD	10
11	016-700718	CAP PLSTC BLK 1X1X100W TBG	4

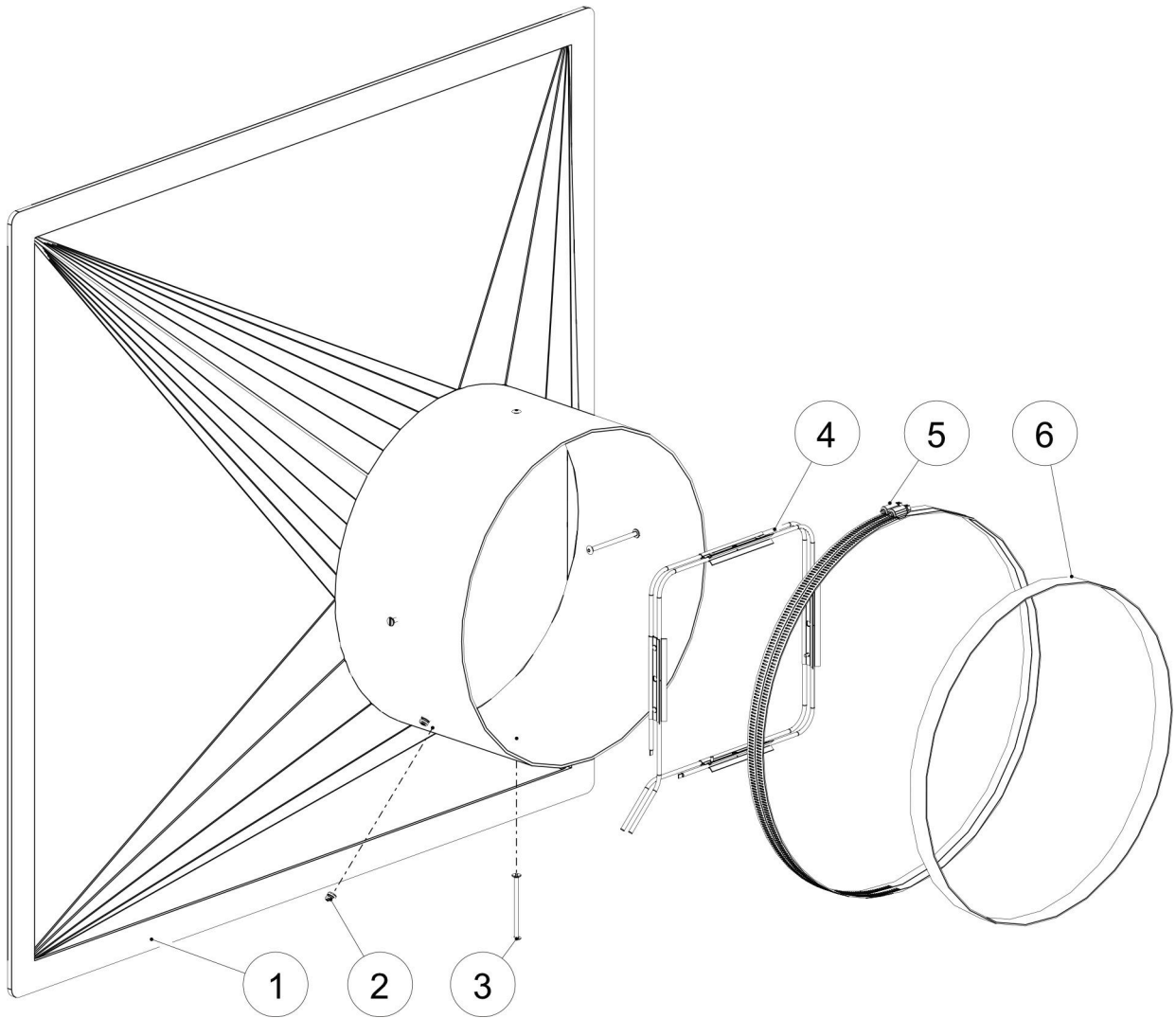




**Ag Coil**  
**MOD 1000-243, 1000-246**  
**Transition**

S/N: 1105-01 -  
S/N: Current  
PAGE: 1.1.10

Item No.	Part No.	Description	Qty.
	<b>000-701653</b>	<b>ASSY SQ-RND TRANSITION</b> (Includes 1-5)	<b>1</b>
1	016-700799	TRNSN SQ-RND 30X24X16 10L HT COIL	1
2	018-700436	FLOW STA 16 RND 1500X5000	1
3	001-700529	CLP HOSE HAS270 16 SLTD HEX HD	2
4	001-700438	SCRW BDG 8-32X3 AL	4
5	009-700652	GROM 3/16X5/16 RBR FLOWGRID	2

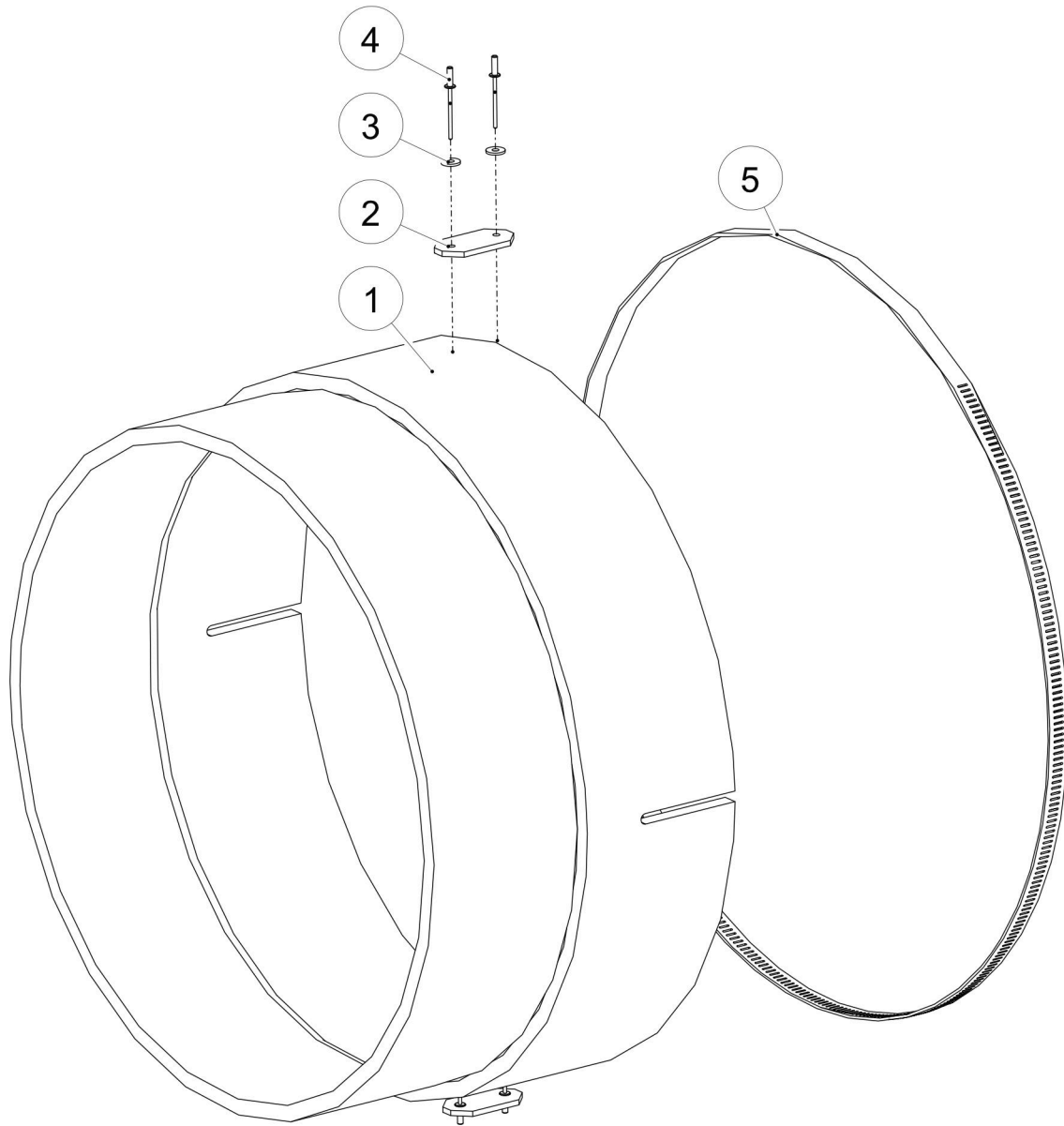




**Ag Coil  
MOD 1000-356  
Transition**

S/N: 1105-01 -  
S/N: Current  
PAGE: 1.1.12

Item No.	Part No.	Description	Qty.
1	016-904055	TRANS SQ-RND 35SQ-16D BLK HDPE	1
2	009-700652	GROM 3/16X5/16 RBR FLOWGRID	2
3	001-700438	SCRW BDG 8-32X3 AL	4
4	018-700436	FLOW STA 16 RND 1500X5000	1
5	001-700529	CLP HOSE HAS270 16 SLTD HEX HD	2
6	017-700215	ANTI-SKID TAPE 1X60FT BLK	51 IN



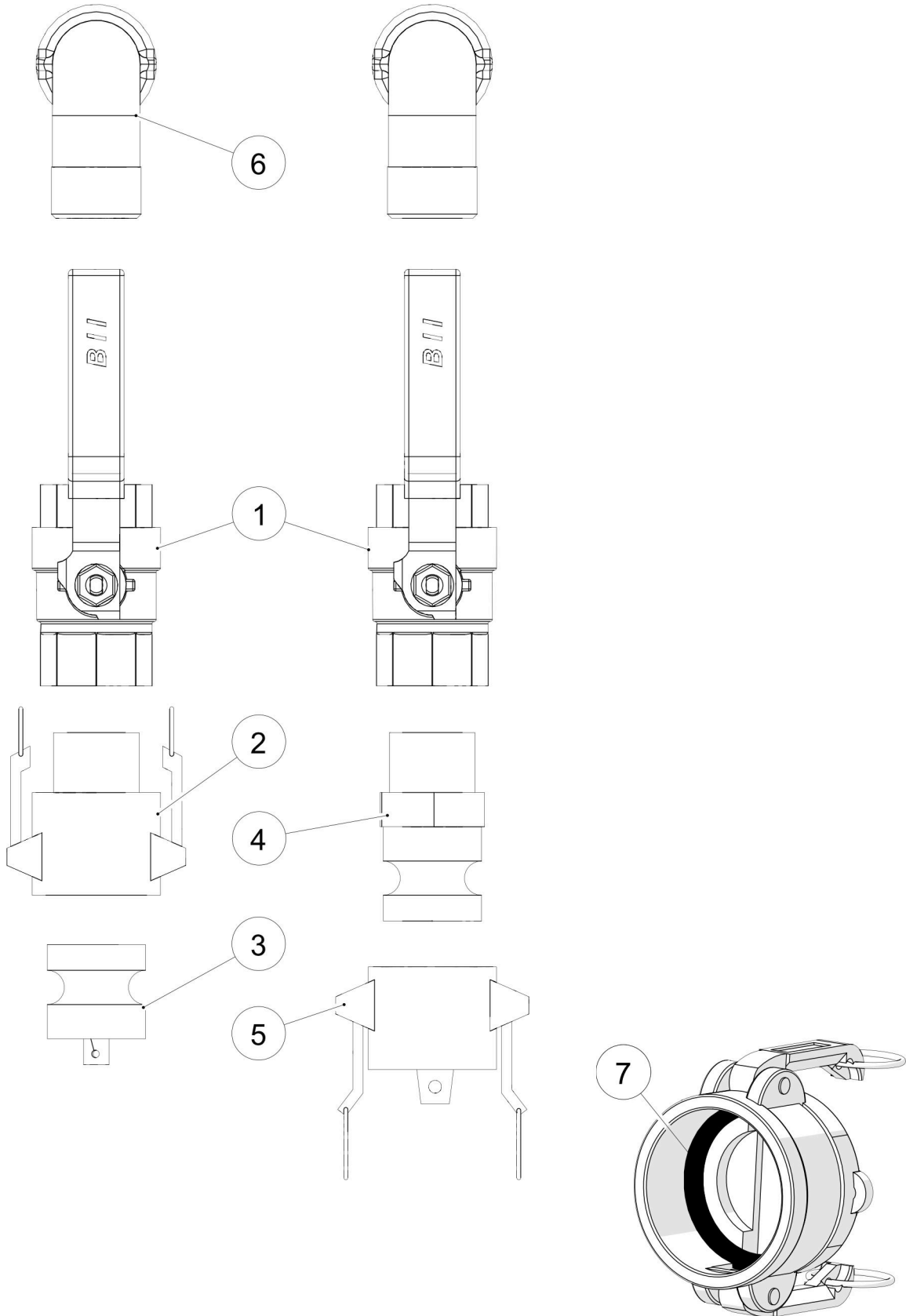




**Ag Coil**  
**MOD 1000-243, 1000-246**  
**Sleeve**

S/N: 1105-01 -  
S/N: Current  
PAGE: 1.1.14

Item No.	Part No.	Description	Qty.
	<b>000-701650</b>	<b>ASSY ADAPTER SLEEVE</b> (Includes 1-5)	<b>1</b>
1	016-700654	ADPTR SLEEVE 16X15-15/16 BLK	1
2	010-701649	PLASTIC BLK STRIP	1
3	001-702776	WSHR FLT #6 3/8OD X 5/32ID	2
4	001-701730	RIVET 1/8D GRP3/8 POP AL	2
5	001-700529	CLP HOSE HAS270 16 SLTD HEX HD	1





**Ag Coil**  
**MOD 1000-243, 1000-246**  
**Kamlocks**

**S/N: 1105-01 -**  
**S/N: Current**  
**PAGE: 1.1.16**

Item No.	Part No.	Description	Qty.
1	011-700366	VLV BALL 1 400WOG FL PT BRS CGA NPTF	2
2	011-700101	KMLCK 1 PART B FXM AL NPTM	1
3	011-700102	KMLCK 1 PART DP PLUG AL	1
4	011-700725	KMLCK 1 PART F MXM AL NPTM	1
5	011-700368	KMLCK 1 PART DC CAP AL	1
6	011-702415	ELB ST 1X90DEG BRS NPT	2
7	006-701439	GSKT 1 KMLCK	1



**Ag Coil  
MOD 1000-243, 1000-246  
Decals**

S/N: 1105-01 -  
S/N: Current  
PAGE: 1.1.17

1A



1B



2



3A



3B



4



Item No.	Part No.	Description	Qty.
1A	003-700057	DECAL DRYAIR 20X3.35 05 BLUE VINYL R1 (MOD 1000-246 ONLY)	1
1B	003-906460	DECAL DRYAIR 20X3-5/16 NEW BLUE (MOD 1000-246 ONLY)	1
2	003-700185	DECAL CHK COIL RGLR 2-1/2X1-1/2	1
3A	003-700732	DECAL DRYAIR 16X2.68 05 BLUE VINYL R1 (MOD 1000-243, 1000-356)	1
3B	003-906401	DECAL DRYAIR 16X2.48 (MOD 1000-243, 1000-356)	1
4	003-700737	DECAL NOTICE BIN CONT MUST	1





---

Ag Coil MOD 1000-243, 1000-246, 1000-356  
S/N: 1105-01 - Current

Part No. 023-905987  
Rev. 01 05-02-2023