



Heat

Dry

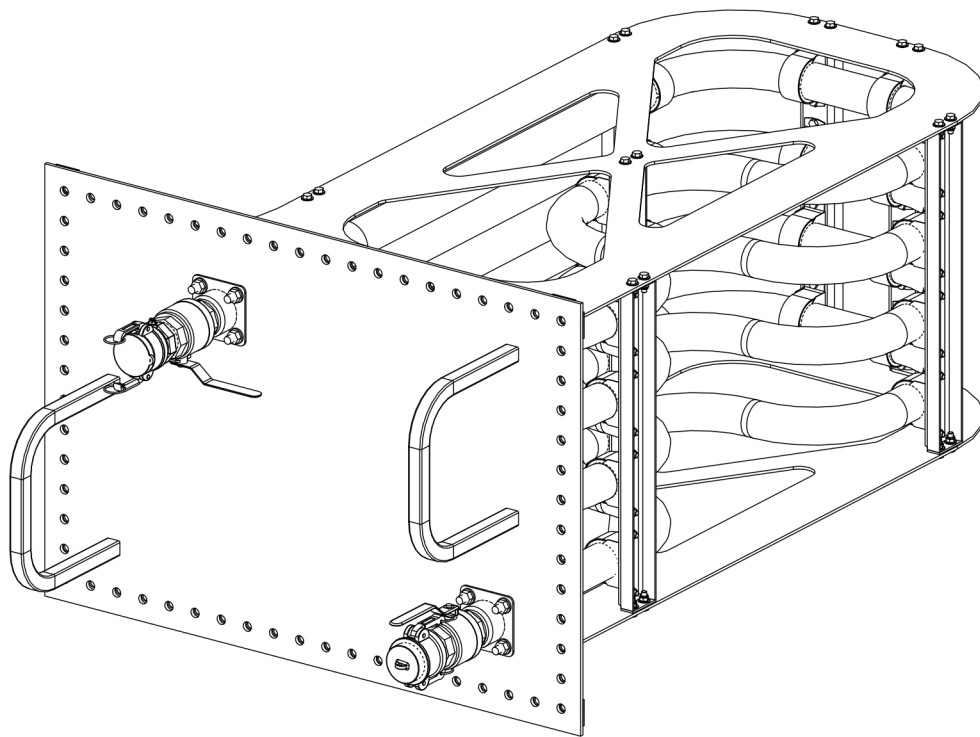
Thaw

Cure

PARTS CATALOGUE

BHE-1M

Bayonet



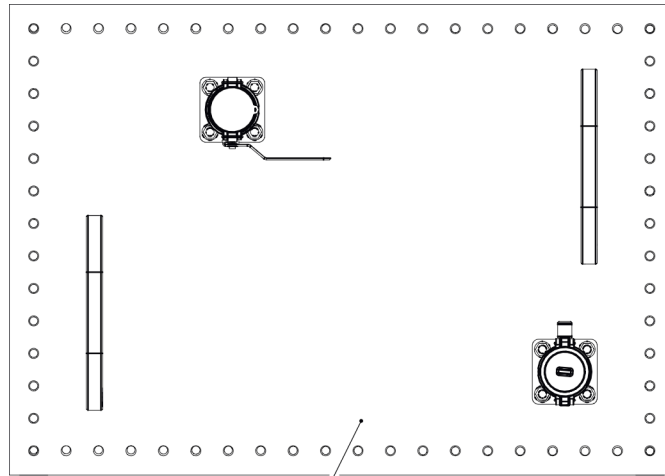
DRYAIR MANUFACTURING CORP.
PO BOX 126, 400 SERVICE ROAD
ST. BRIEUX, SK S0K 3V0
CANADA
www.dryair.ca


Tel: 1 (306) 275-4848
Toll-Free: 1 (888) 750-1700
Fax: 1 (306) 275-4664
Email: parts@dryair.ca




BHE-1M

Serial Number Location



		P.O. Box 126 400 Service Road St. Brieux, SK Canada S0K 3V0	
Model - Modèle:			
Reference - Référence:			
Production Schedule: Calendrier de Production:			
Max. Ampacity-Max. Ampacité:			

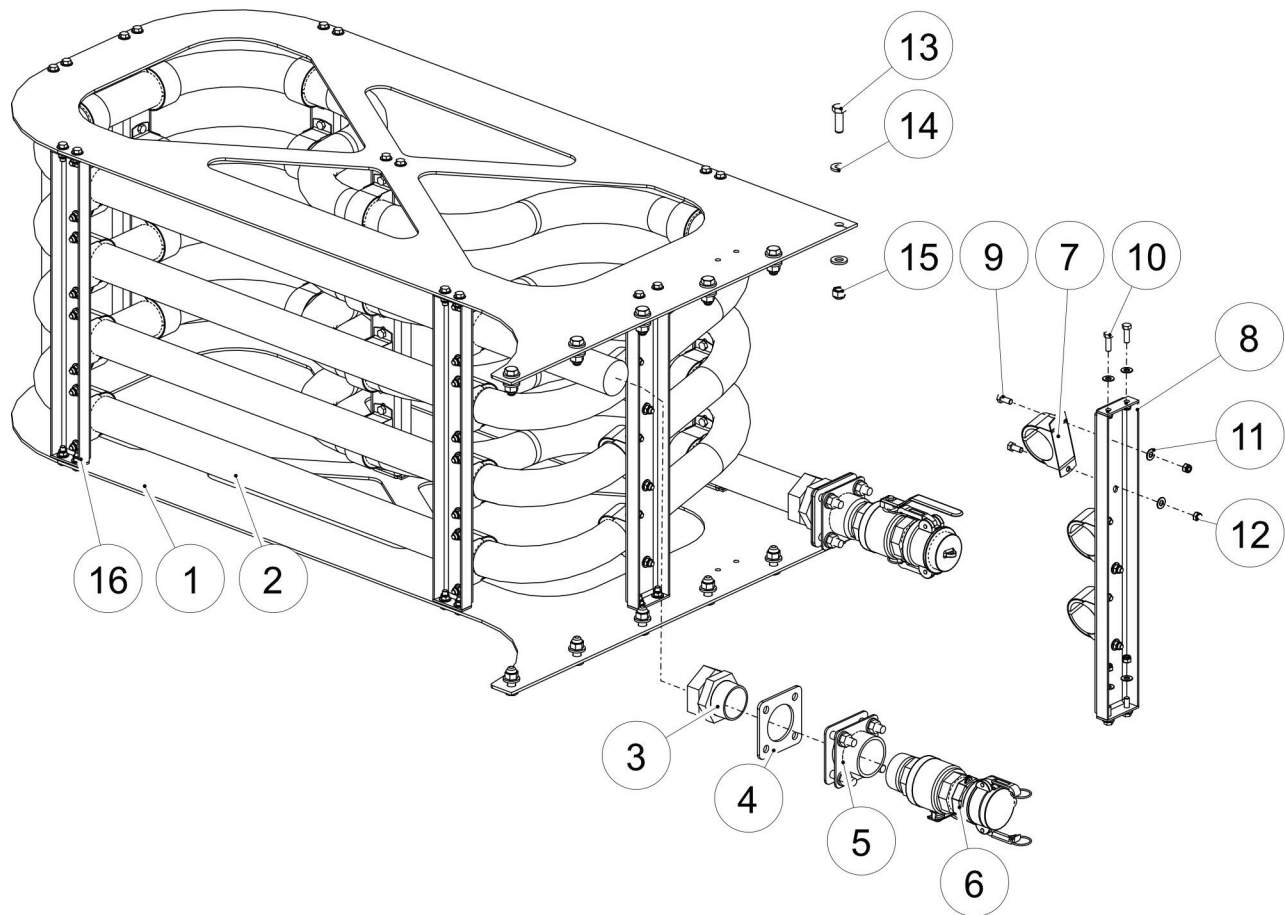
 C US 003-903395 R01



BHE-1M

Table of Contents

Coil.....	1.1.1
Doors.....	2.1.1
Kamlocks.....	3.1.1
Decals.....	4.1.1





BHE-1M

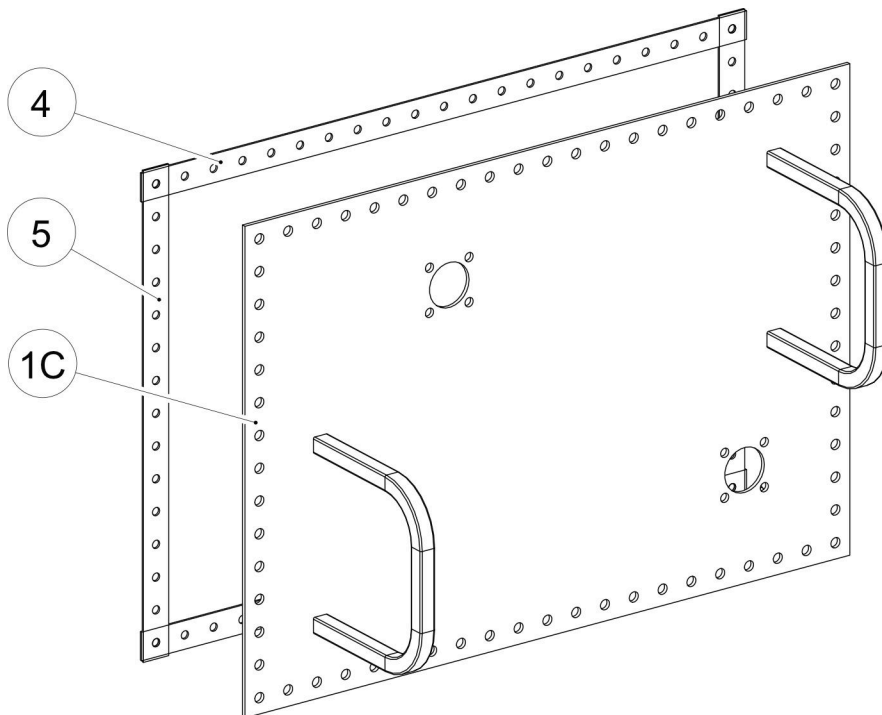
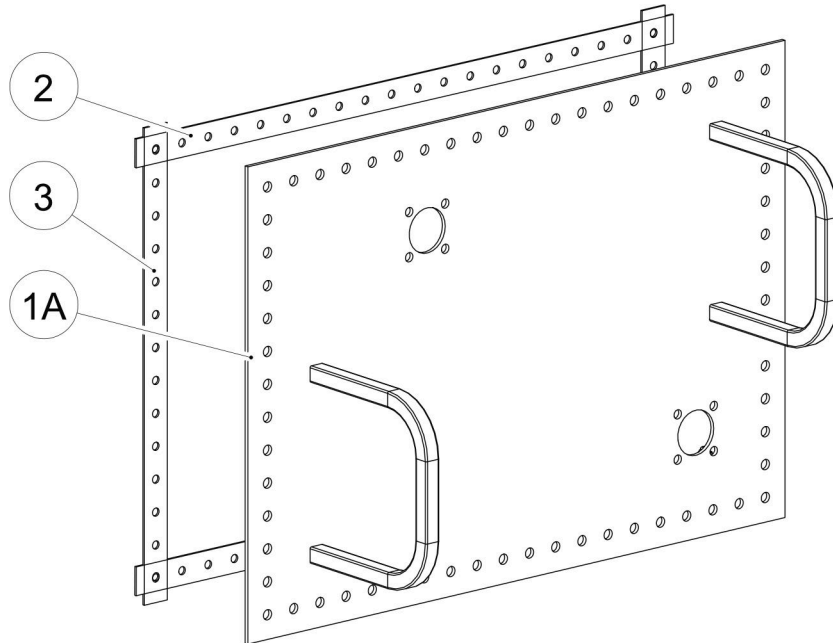
Coil

S/N: 1583-01 -

S/N: Current

PAGE: 1.1.2

Item No.	Part No.	Description	Qty.
1A	004-902477	PLT SIDE MOD BHE-1M FRAME	2
1B	004-902508	PLT SIDE MOD BHE-1M FRAME ALUM	2
2	004-902479	COIL 50FT MOD BHE-1M	1
3	011-902467	ADPTR 2 CSST X 2 MPT	2
4	009-902470	GSKT TANK FLANGE 4 BOLT VITON	2
5	012-902469	FTG TANK FLANGE 2 NPT 4 BOLT SS	2
6	018-902473	PKG VLV-KMLCK 2 M-F CW NIPPLE	1
7	012-902471	CLP 2-3/8ID SS OMEGA	34
8A	004-902481	BRKT COIL SPRT WIDE MOD BHE-1M	2
8B	004-902510	BRKT COIL SPRT WIDE MOD BHE-1M ALUM	2
9	001-902420	BOLT 5/16X3/4 SS UNC	68
10	001-902419	BOLT 5/16X1 SS UNC	36
11	001-703916	WSHR FLT 5/16 SS	140
12	001-703915	NUT LKG 5/16 SS UNC	104
13	001-902492	BOLT 1/2X1-1/2 SS UNC	12
14	001-902494	WSHR FLT 1/2 SS SAE	24
15	001-902493	NUT LKG 1/2 SS UNC	12
16A	004-902480	BRKT COIL SPRT MOD BHE-1M	7
16B	004-902509	BRKT COIL SPRT MOD BHE-1M ALUM	7





BHE-1M

S/N: 1583-01 -

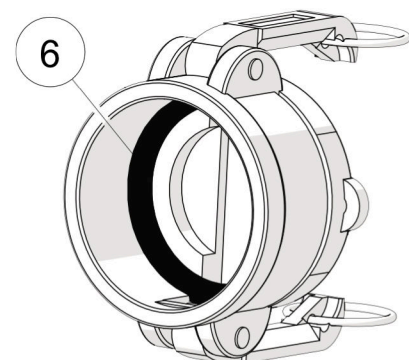
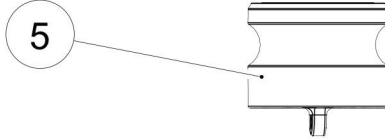
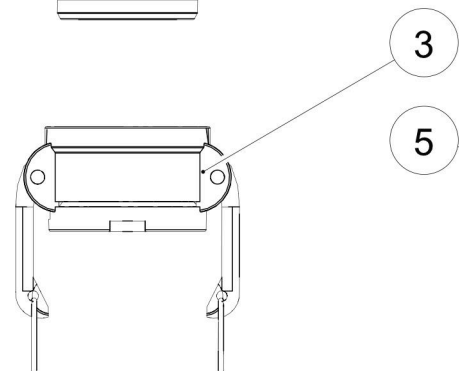
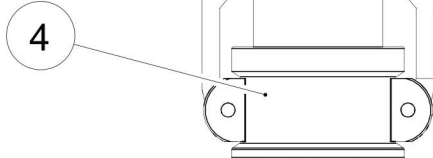
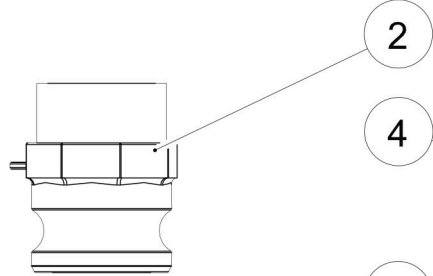
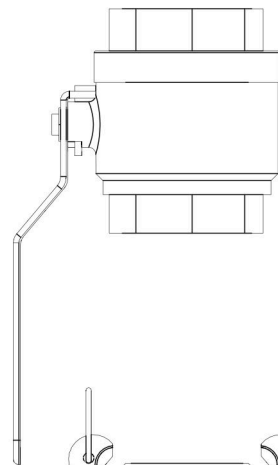
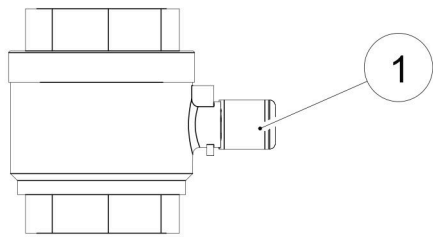
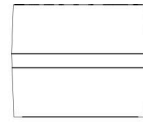
S/N: Current

Doors

PAGE: 2.1.2

Item No.	Part No.	Description	Qty.
1A	004-902475	ASSY DOOR 23X35 MW MOD BHE-1M	1
1B	004-902511	ASSY DOOR 23X35 MW MOD BHE-1M ALUM	1
1C	004-902489	ASSY DOOR 24X36 MW MOD BHE-1M	1
1D	004-902512	ASSY DOOR 24X36 MW MOD BHE-1M ALUM	1
2	018-902484	GSKT 1/8X1-3/4 VITON 41L	2
3	018-902483	GSKT 1/8X1-3/4 VTION 29L	2
4	018-902497	GSKT 1/8X1-3/4 VTION 42L	2
5	018-902496	GSKT 1/8X1-3/4 VTION 30L	2

Kamlocks





BHE-1M

S/N: 1583-01 -

S/N: Current

Kamlocks

PAGE: 3.1.2

Item No.	Part No.	Description	Qty.
1	011-701442	VLV BALL 2 FL PT CSA/UL	2
2	011-700278	KMLCK 2 PART F ADPTR AL NPTM	1
3	011-700390	KMLCK 2 PART DC DUST CAP AL	1
4	011-700279	KMLCK 2 PART B CPLR AL NPTM	1
5	011-700391	KMLCK 2 PART DP DUST PLUG AL	1
6A	006-702959	GSKT 2IN KMLCK CPLR STD	1
6B	006-702962	GSKT 2IN KMLCK CPLR THICK	1
6C	006-900823	GSKT 2IN KMLCK CPLR SILICONE RBR	1



BHE-1M

S/N: 1583-01 -

S/N: Current

Decals

PAGE: 4.1.1

1



2



Item No.	Part No.	Description	Qty.
1	003-902465	DECAL ATTN PRESSURE TEST	1
2	003-906374	DECAL DRYAIR 9-5/8L 1-1/2W NEW BLUE	1



BHE-1M
S/N: 1583-01 - Current

Part No. 023-905985
Rev. 00 12-07-2022