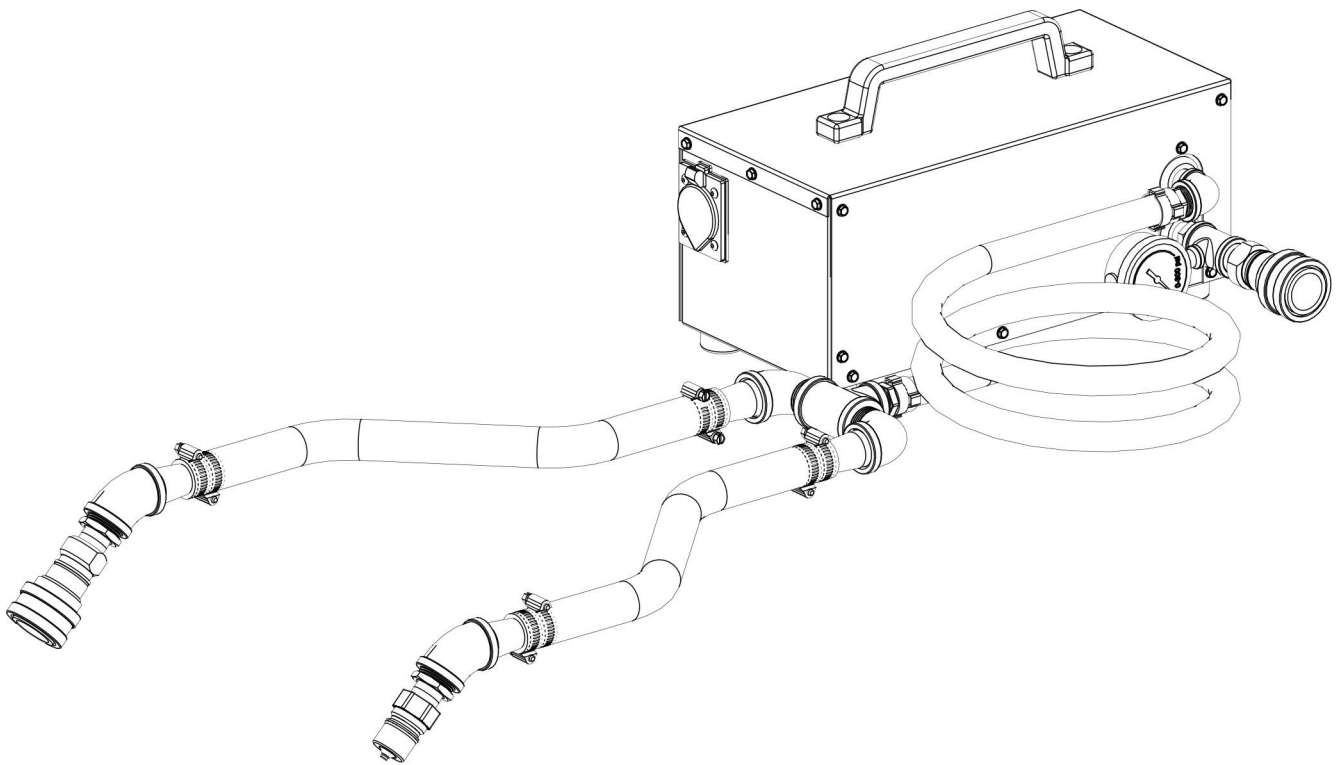




Heat Dry Thaw Cure

PARTS CATALOGUE

Boost Pump

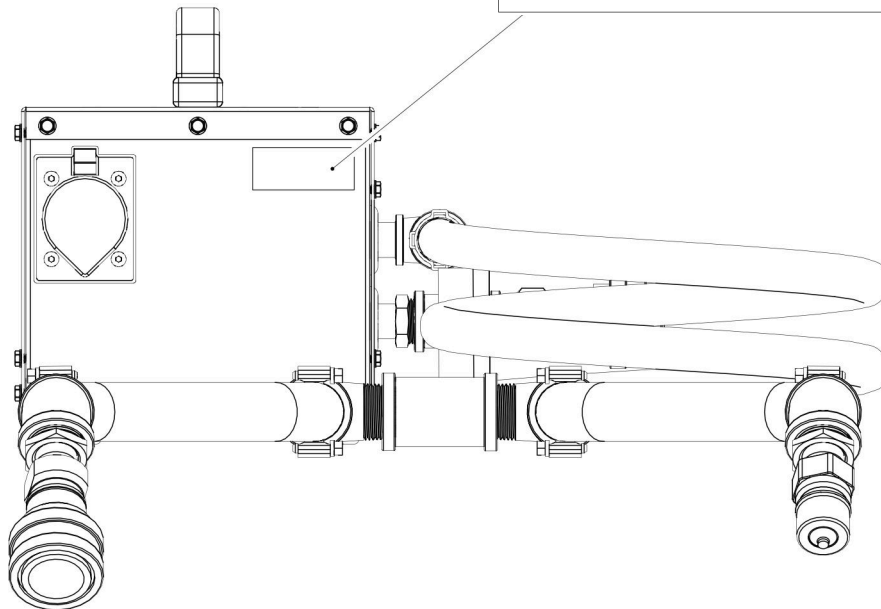



DRYAIR MANUFACTURING CORP.
PO BOX 126, 400 SERVICE ROAD
ST. BRIEUX, SK S0K 3V0
CANADA
www.dryair.ca

Tel: 1 (306) 275-4848
Toll-Free: 1 (888) 750-1700
Fax: 1 (306) 275-4664
Email: parts@dryair.ca



Boost Pump Serial Number Location



 P.O. Box 126
400 Service Road
St. Brieux, SK
Canada S0K 3V0

MADE IN CANADA/FABRIQUÉ EN CANADA

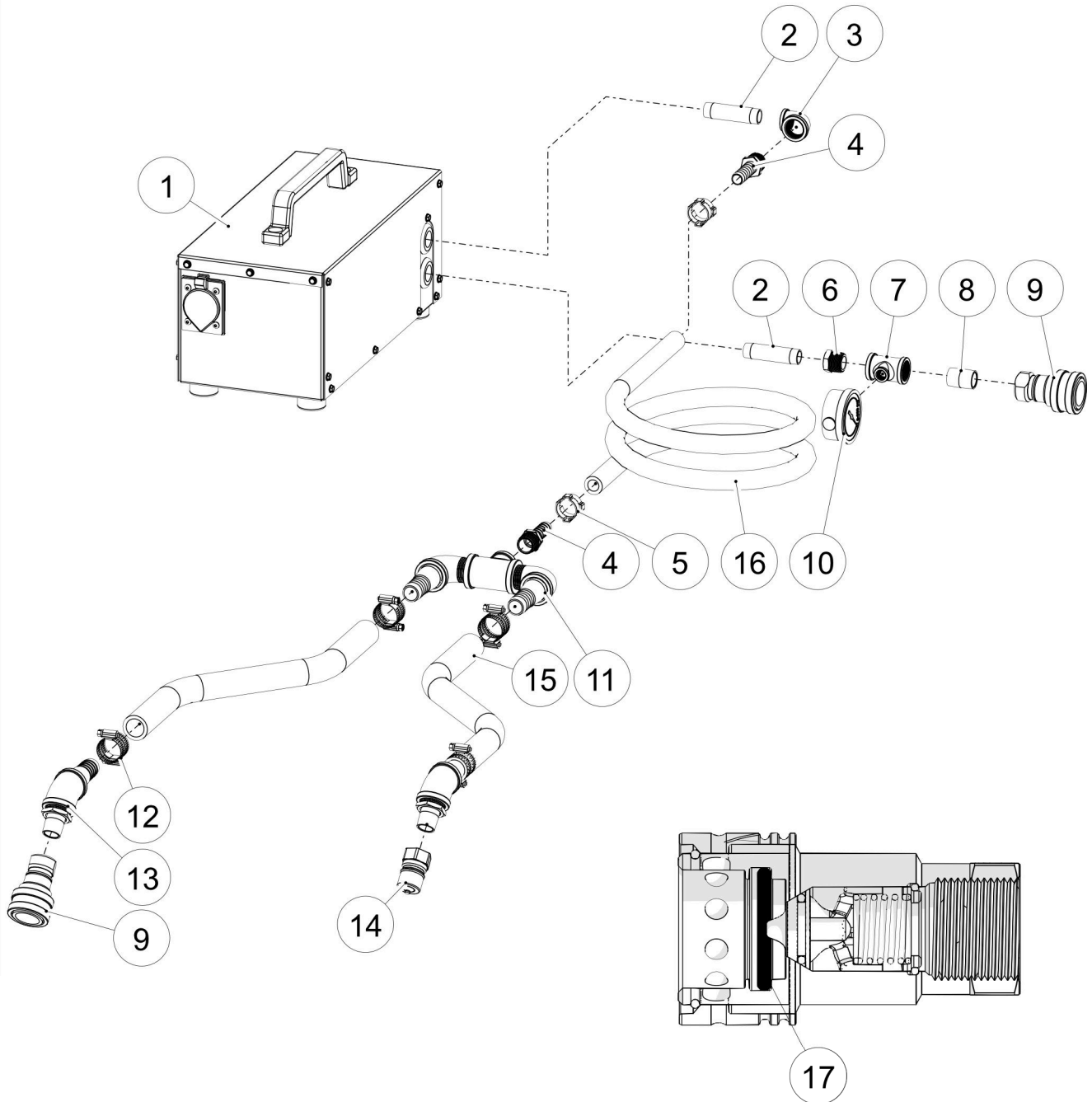
Model - Modèle:	
Reference - Référence:	
Production Schedule: Calendrier de Production:	

003-700094-R05



Boost Pump Table of Contents

Exterior Components.....	1.1.1
Interior Components.....	1.1.3
Decals	2.1.1

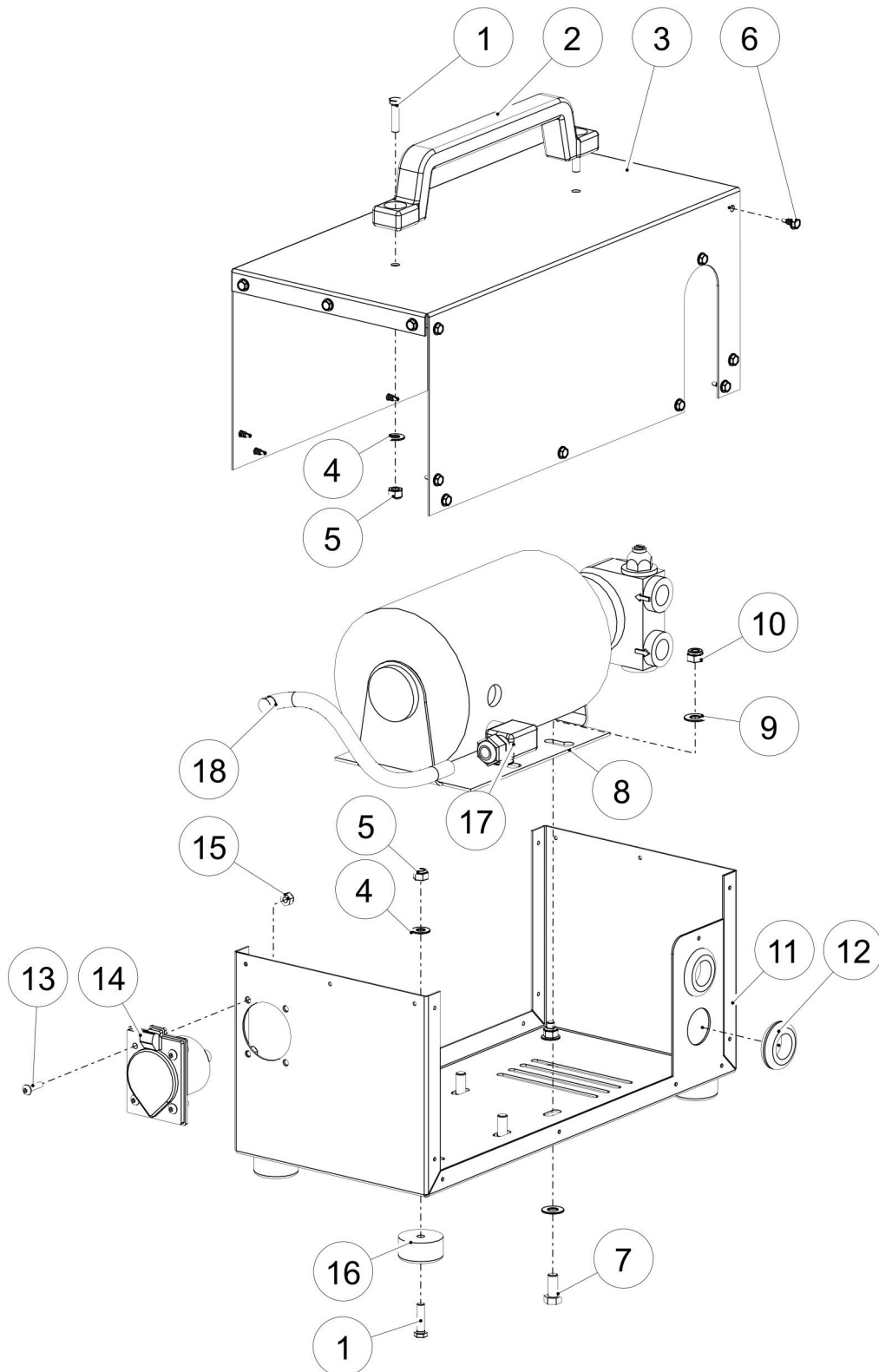




Boost Pump Exterior Components

S/N: 1756-01 -
S/N: Current
PAGE: 1.1.2

Item No.	Part No.	Description	Qty.
1		INTERIOR COMPONENTS see page 1.1.3	
2	011-900592	NIPL 1/2X3 BRS MPT	2
3	011-904772	ELB RDCG 3/4X1/2 90DEG BRS NPT	1
4	011-900377	NIPL COMB 3/4M-NPTX5/8HB BRS	2
5	001-900464	CLP 2-EAR #27-OET ZINC	4
6	011-900531	BSHG RDCG 3/4 MPT X 1/2 FPT BRS	1
7	011-703103	TEE RDCG 3/4X3/4X1/4 BRS NPT	1
8	011-703102	NIPL 3/4X1(CL) BRS NPT	1
9	011-701518	QC CPLR 3/4 BRS NPTF	2
10	005-702511	GAUGE PRESS 0-300 PSI 1/4NPT LWR CONN	1
11	018-904776	PKG PLMB TEE 1X1 HOSE BARB X 3/4 FPT	1
12	001-700275	CLP HOSE HAS16 SLTD HEX HD SS	8
13	018-904775	PKG PLMB 1 HOSE BARB X 3/4 NPT	2
14	011-701517	QC NIPL 3/4 BRS NPTF	1
15	013-702636	HOSE 1 RED	3 FT
16	013-902503	HOSE 5/8 RED HORIZON	6 FT
17A	006-702958	O-RING 3/4IN QC CPLR (.101)	1
17B	006-704311	O-RING 3/4IN QC CPLR (.141)	1



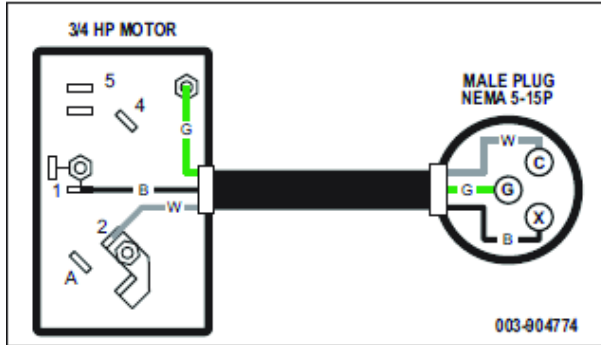


Boost Pump Interior Components

S/N: 1756-01 -
S/N: Current
PAGE: 1.1.4

Item No.	Part No.	Description	Qty.
1	001-902421	BOLT 1/4X1 SS UNC	6
2	017-704065	HNDL 9-7/8 RUBBER COATED	1
3	004-904771	PNL TOP BOOST PUMP	1
4	001-703921	WSHR FLT 1/4 SS	6
5	001-703922	NUT LKG 1/4 UNC SS	6
6	001-904456	SCRW D/T 10-16X1/2 5/16HEX HD SS	22
7	001-902420	BOLT 5/16X3/4 SS UNC	4
8	012-904756	PUMP FLUID-O-TECH 3/4HP 110V MOTOR V-BAND CLMP	1
9	001-703916	WSHR FLT 5/16 SS	8
10	001-703915	NUT LKG 5/16 SS UNC	4
11	004-904770	PNL BASE BOOST PUMP	1
12	009-904773	GROM .875 ID X 1.625 OD .0625 GRV RBR	2
13	001-900439	SCRW MACH 10-24X3/4 SS UNC BTN-HD 1/8HEX-DR	4
14	002-703611	PLUG PNL MNT WTHPRF 15A 125V	1
15	001-703910	NUT LKG #10-24 SS UNC	4
16	009-704066	BUMPER RBR 1-1/2OD X 1/4 RECESSED	4
17	002-704247	CONNECTOR 1/2 90DEG FLEX NYL	1
18	002-702644	CABLE SJTOW 14/3 300V CSA	2 FT

1



2

Important!

- Prior to connecting "Boost Pump" start heating unit per normal procedures and allow supply temperature to rise to 120°F. Once Supply temperature has risen to 120°F, Turn heating unit off and proceed with setup.

Setup

- Couple male and female ends of the "T" hose to Supply/Return manifold.
- Couple male end of heat exchange loop to the "Boost Pump" outlet.
- Couple female end of heat exchange loop to Supply/Return manifold.

Startup

- Ensure Flow Reverser switch (if equipped), is in the "OFF" position.
- Start heating unit per normal procedure.
- Connect power supply to the Boost Pump.

Shutdown

- Disconnect power supply from the boost pump.
- Shutdown water heater per normal procedure.
- Disconnect Boost Pump fluid lines.

003-904777

3



Item No.	Part No.	Description	Qty.
1	003-904774	DECAL ELEC SCHEM 3/4 HP BOOST PUMP	1
2	003-904777	DECAL SET UP BOOST PUMP	1
3	003-906374	DECAL DRYAIR 9-5/8L 1-1/2W NEW BLUE	1



Boost Pump
S/N: 1756-01 - Current

Part No. 023-906759
Rev. 01 05-02-2023