



Heat

Dry

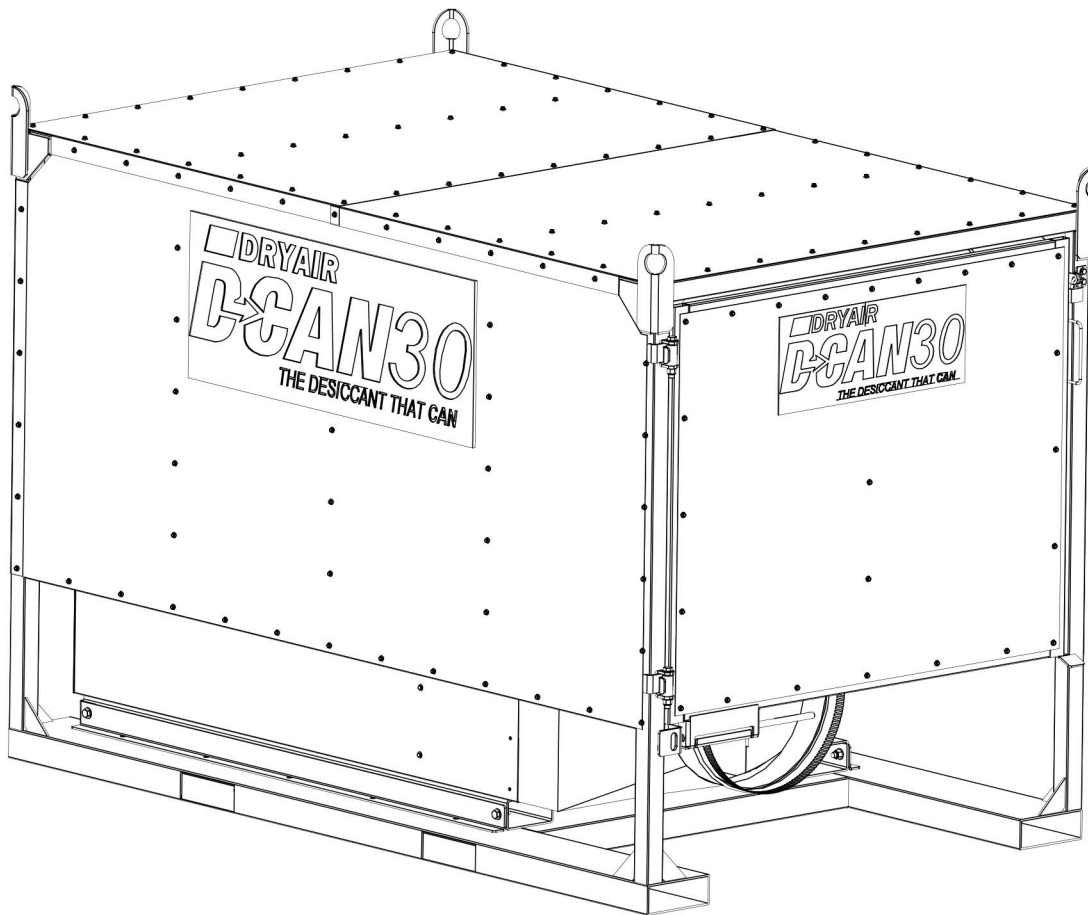
Thaw

Cure

PARTS CATALOGUE

Desiccant Dehumidifier

DCAN 30 Series



DRYAIR MANUFACTURING CORP.
PO BOX 126, 400 SERVICE ROAD
ST. BRIEUX, SK S0K 3V0
CANADA
www.dryair.ca

Tel: 1 (306) 275-4848
Toll-Free: 1 (888) 750-1700
Fax: 1 (306) 275-4664
Email: parts@dryair.ca



Desiccant Dehumidifier DCAN 30 Series Serial Number Location

DRYAIR P.O. Box 126
400 Services Road
St. Eustache, SQ
Canada
J8K 3V9

MADE IN CANADA

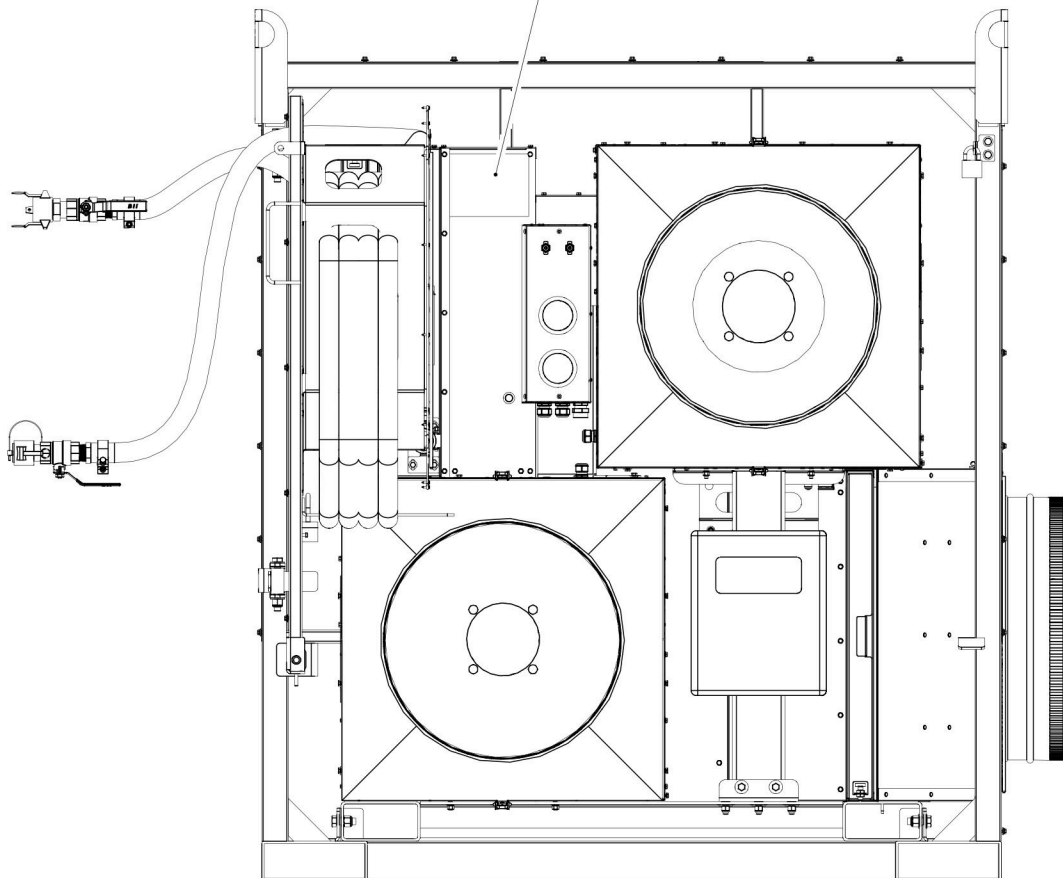
DRYAIR Model:			Reference:		
Serial No.:			Prod. Sched.:		
REACTIVATION CIRCUIT		WHEEL MOTOR		PROCESS CIRCUIT	
REACTIVATION FAN				PROCESS FAN	
Volts:	115	Volts:	115	Volts:	115
Hz:	60	Hz:	60	Hz:	60
Horse Power		Horse Power		Horse Power	
FLA		FLA		FLA	
MCA					
MAX. CKT. BKR.					

Certified for Indoor and
Outdoor Use / Certifié pour
l'utilisation à l'intérieur et à
l'extérieur

TUV SUD
C US

COMPLIES TO:
CAN/CSA C22.2 No. 236
UL 1995

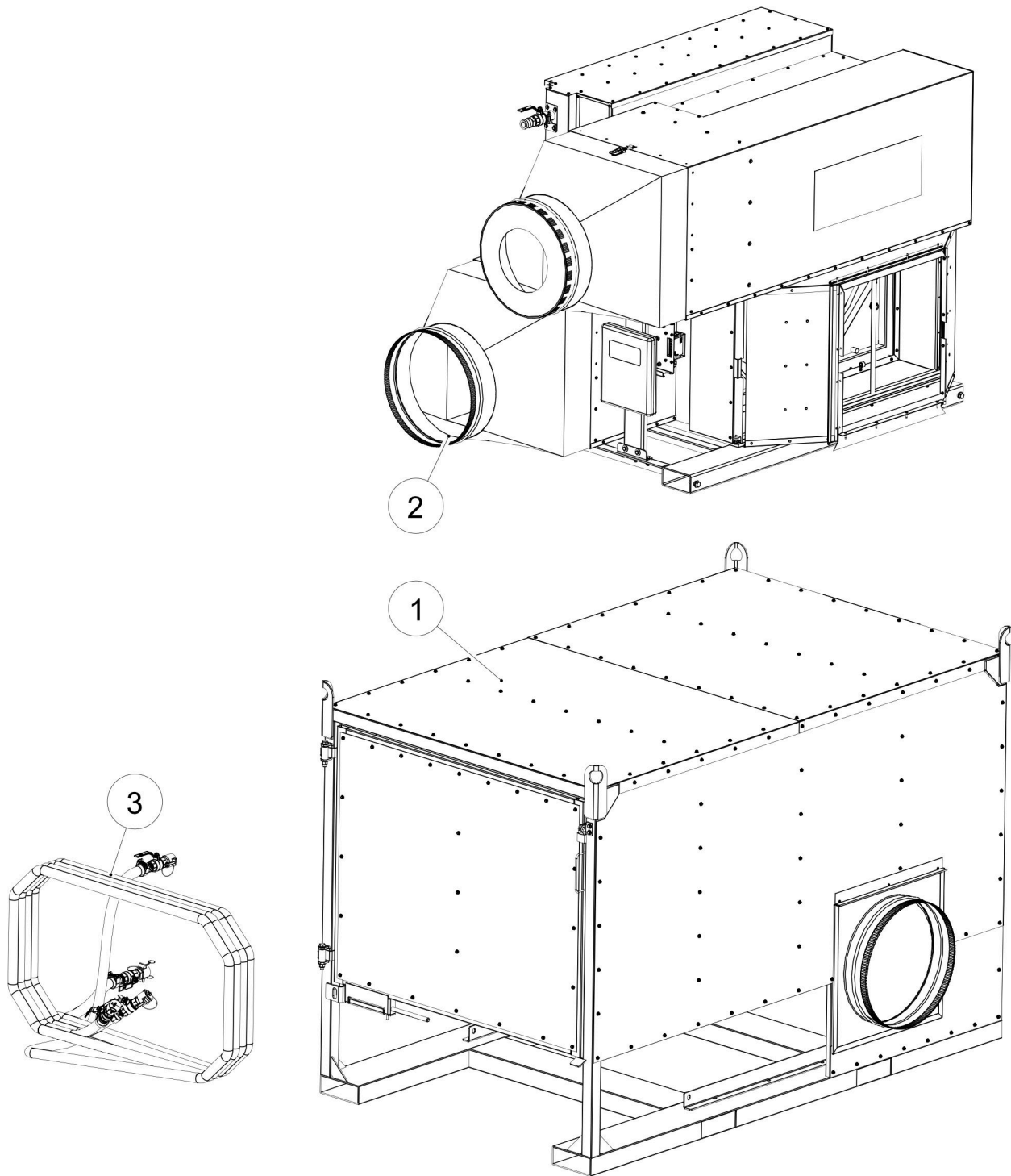
003-903931 R01





**Desiccant Dehumidifier
DCAN 30 Series
Table of Contents**

Master.....	1.1.1
Housing	1.1.3
DCAN Master	2.1.1
Fan	2.1.3
Coil Side and Panels	2.1.5
DCAN Wheel	2.1.7
Process Side	2.1.9
Coil and Air Filter Retainer	2.1.11
Control	2.1.13
Remote	2.1.15
Process Air Intake	2.1.17
Hose Assembly.....	3.1.1
Kamlocks.....	3.1.3
Decals	4.1.1

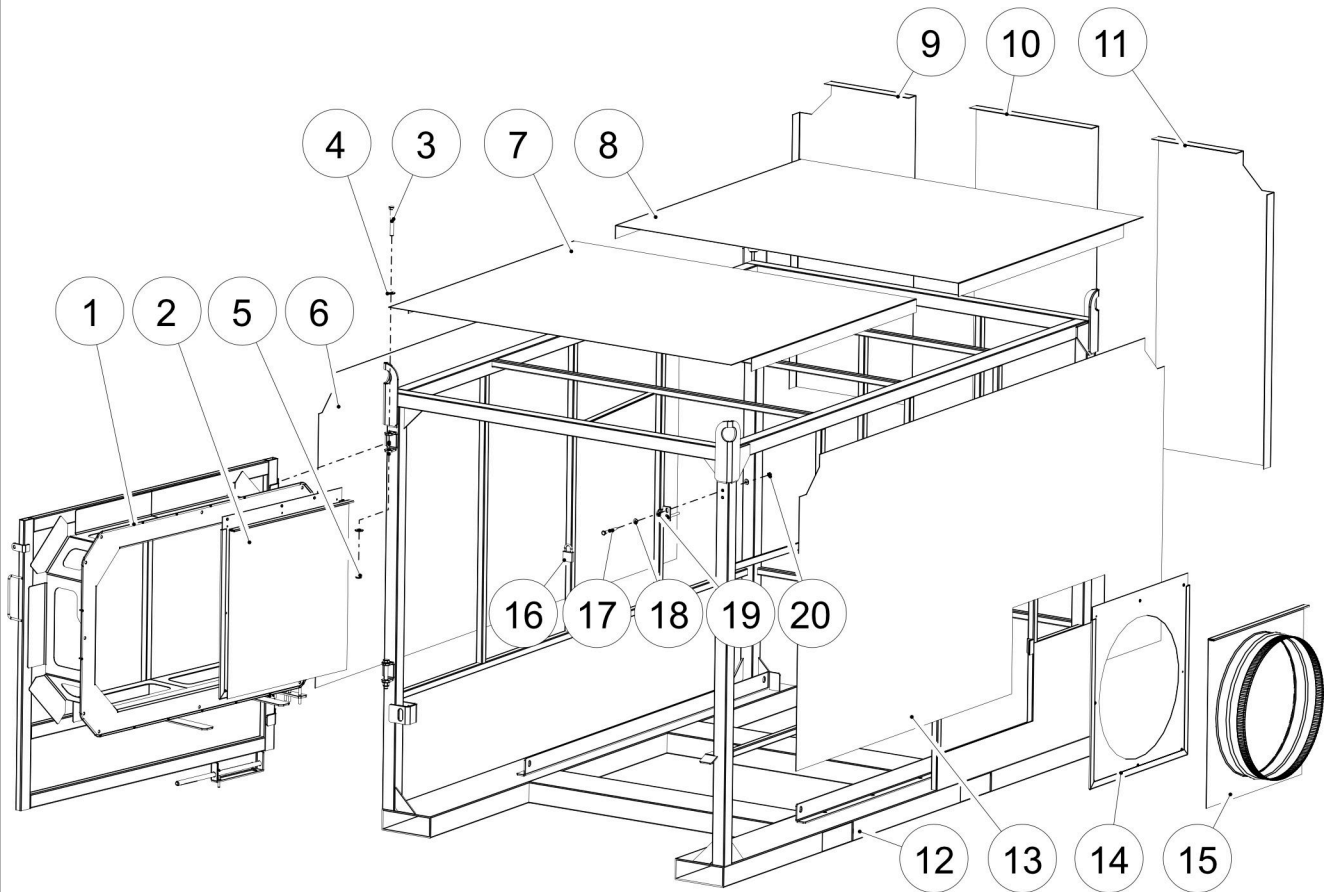




**Desiccant Dehumidifier
DCAN 30 Series
Master**

S/N: 1684-01 -
S/N: Current
PAGE: 1.1.2

Item No.	Part No.	Description	Qty.
1		HOUSING - see page 1.1.3	
2		DCAN - see page 2.1.1	
3		HOSE - see page 3.1.1	

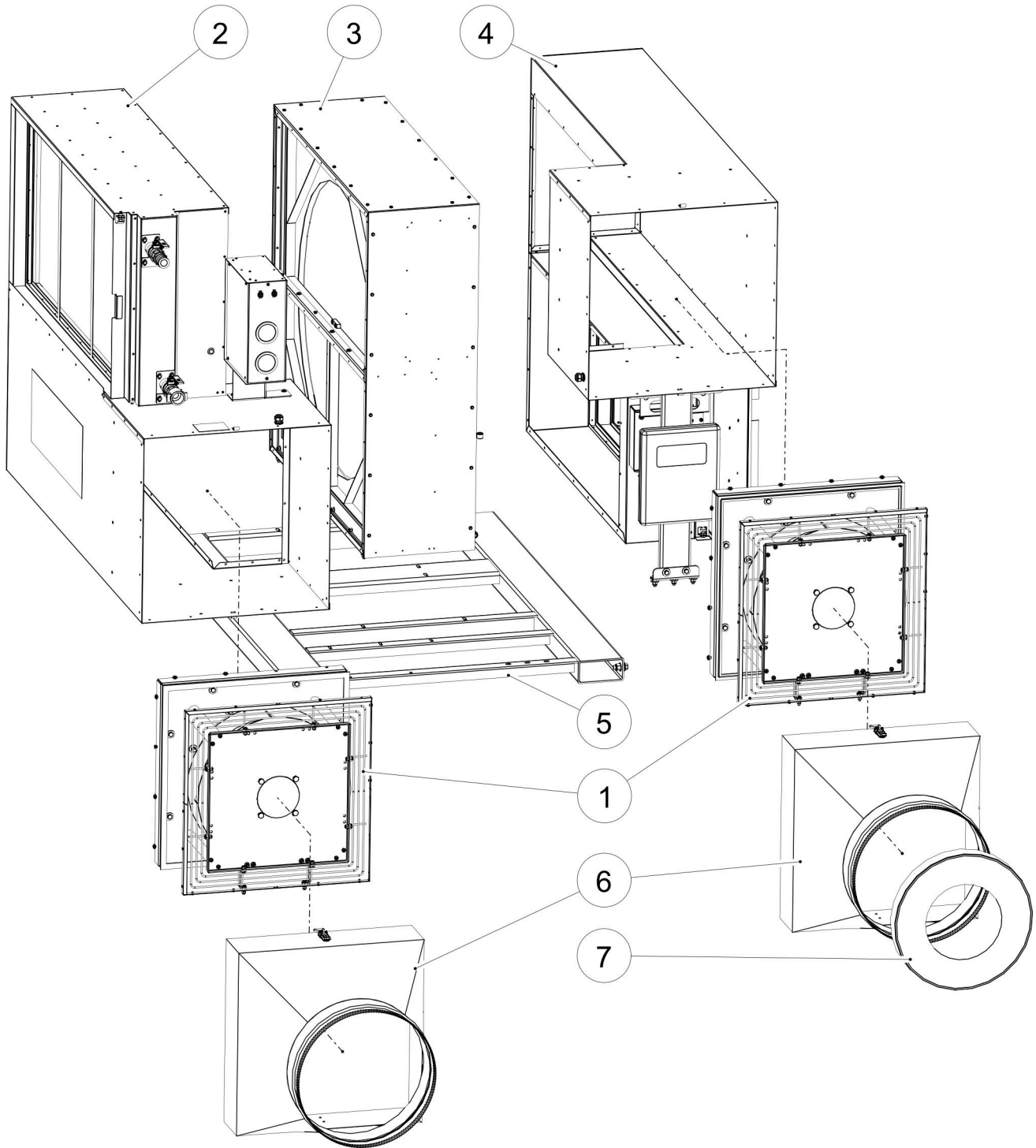




**Desiccant Dehumidifier
DCAN 30 Series
Housing**

S/N: 1684-01 -
S/N: Current
PAGE: 1.1.4

Item No.	Part No.	Description	Qty.
1	004-903955	DOOR DCAN 30 HSG	1
2	004-905379	PLATE ADPTR DUCT COVER DCAN 30	1
3	001-702159	BOLT 1/2X3-3/4 UNC PLD	2
4	001-700110	WSHR FLT 1/2 SAE PLD	4
5	001-701606	NUT LKG NYL 1/2 UNC PLD	2
6	004-905363	PNL LEFT SIDE DCAN 30	1
7	004-905368	PNL TOP FRONT DCAN 30	1
8	004-905369	PNL TOP REAR DCAN 30	1
9	004-905364	PNL REAR LEFT CORNER DCAN 30	1
10	004-905365	PNL REAR CENTER DCAN 30	1
11	004-905366	PNL REAR RIGHT CORNER DCAN 30	1
12	004-903953	FRAME DCAN 30 HSG	1
13	004-905367	PNL RIGHT SIDE DCAN 30	1
14	004-904404	PNL DUCT ADPTR 20IN DIA	2
15	004-904405	ADPTR DUCT 20IN DIA DCAN	1
16	001-702054	LOCK	1
17	001-700884	BOLT 5/16X3 PLD GR5	2
18	001-700742	WSHR FLT 5/16 PLD	4
19	004-903956	TAB DOOR LOCK DCAN 30 HSG	1
20	001-700741	NUT LKG NYL 5/16 UNC PLD	2
		The following components may not be shown	
	001-900723	SCRW #10X3/4 SELF DRILL W-NPRN	
	001-902329	RIVET 5/32X.062 .125 SS	



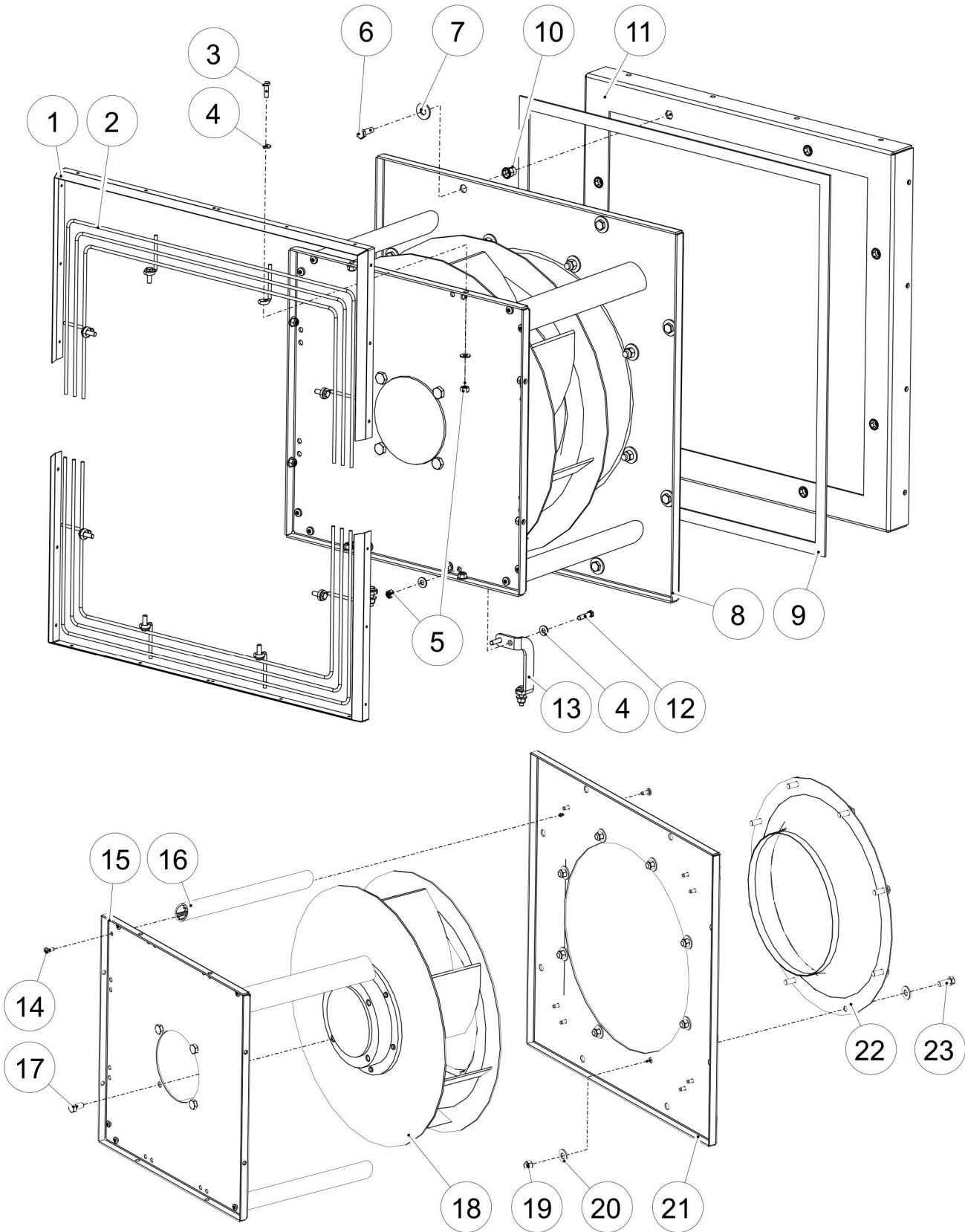


**Desiccant Dehumidifier
DCAN 30 Series
DCAN Master**

S/N: 1684-01 -
S/N: Current
PAGE: 2.1.2

Item No.	Part No.	Description	Qty.
1		FAN - see page 2.1.3	
2		COIL SIDE - see page 2.1.5	
3		DECAN WHEEL - see page 2.1.7	
4		PROCESS SIDE - see page 2.1.9	
5	004-903755	BASE DCAN 30	1
6	018-903773	ASSY TRANS 24X24SQX18D	2
7	004-903918	DUCT ORF 18 X 10 DCAN 30	1
		The following components may not be shown	
	001-903863	DRAWLATCH	

Fan



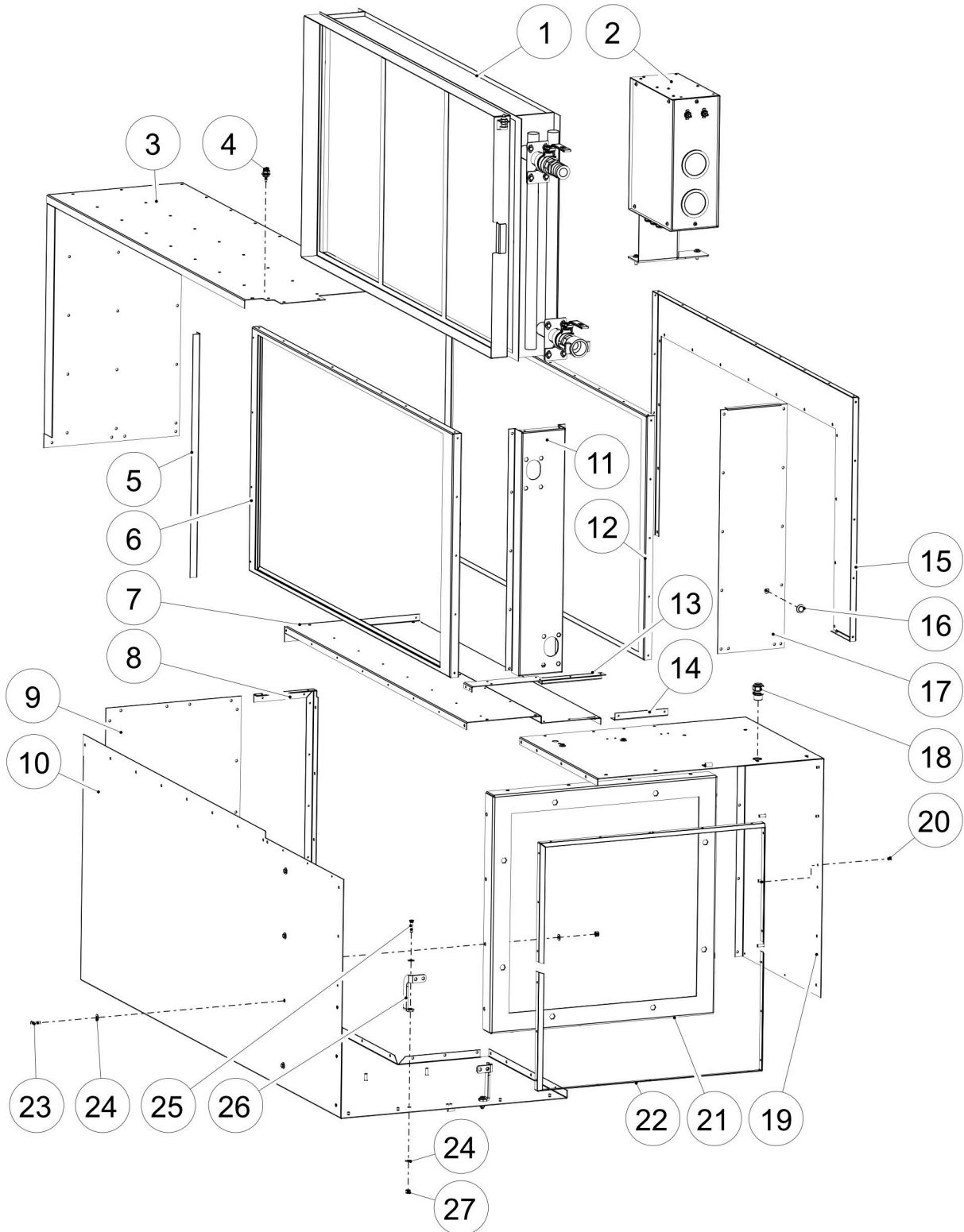
Fan



**Desiccant Dehumidifier
DCAN 30 Series
Fan**

S/N: 1684-01 -
S/N: Current
PAGE: 2.1.4

Item No.	Part No.	Description	Qty.
1	004-903864	FLANGE DUCT MTG DCAN 30	2
2	004-903921	GUARD FAN DCAN 30	2
3	001-701482	BOLT 1/4X3/4 PLD GR5	8
4	001-903877	WSHR FLT 1/4 SAE ZINC PLD STL	20
5	001-700042	NUT LKG NYL 1/4 UNC PLD	12
6	001-700804	BOLT 3/8X1 PLD GR5	8
7	001-700719	WSHR FLT 3/8 PLD	16
8	018-903757	PKG FAN DCAN 30 450 EKHR B-WHEEL (Includes 14-23)	1
9	009-702597	TAPE SEALANT 1/8THK 3/4W NEOPRENE	11 FT
10	001-703895	INSERT THD 3/8 UNC HEX BODY	8
11	004-903967	MNT FAN MODEL EKHR450 B-WHEEL	1
12	001-700739	BOLT 1/4X1 PLD GR5	4
13	004-903871	SPRT FAN DCAN 30	2
14	001-704739	SCRW HEX HEAD THREAD ROLLING 1/4-20x5/8L	16
15	004-903903	PLT MNT MTR EKHR 450	1
16	004-903934	STAND OFF FAN MODEL EKHR450 B-WHEEL	4
17	001-903732	BOLT M10-1.5X20MM HEX HEAD SS	4
18	012-903933	FAN MOTORIZED IMPELLER EKRH450 B-WHEEL	1
19	001-700721	NUT LKG NYL 3/8 UNC PLD	8
20	001-700719	WSHR FLT 3/8 PLD	16
21	004-903935	PLT FRONT FAN MNT EKHR450	1
22	004-903932	INLET CONE Q51-45042 ROSENBERG	1
23	001-700804	BOLT 3/8X1 PLD GR5	8

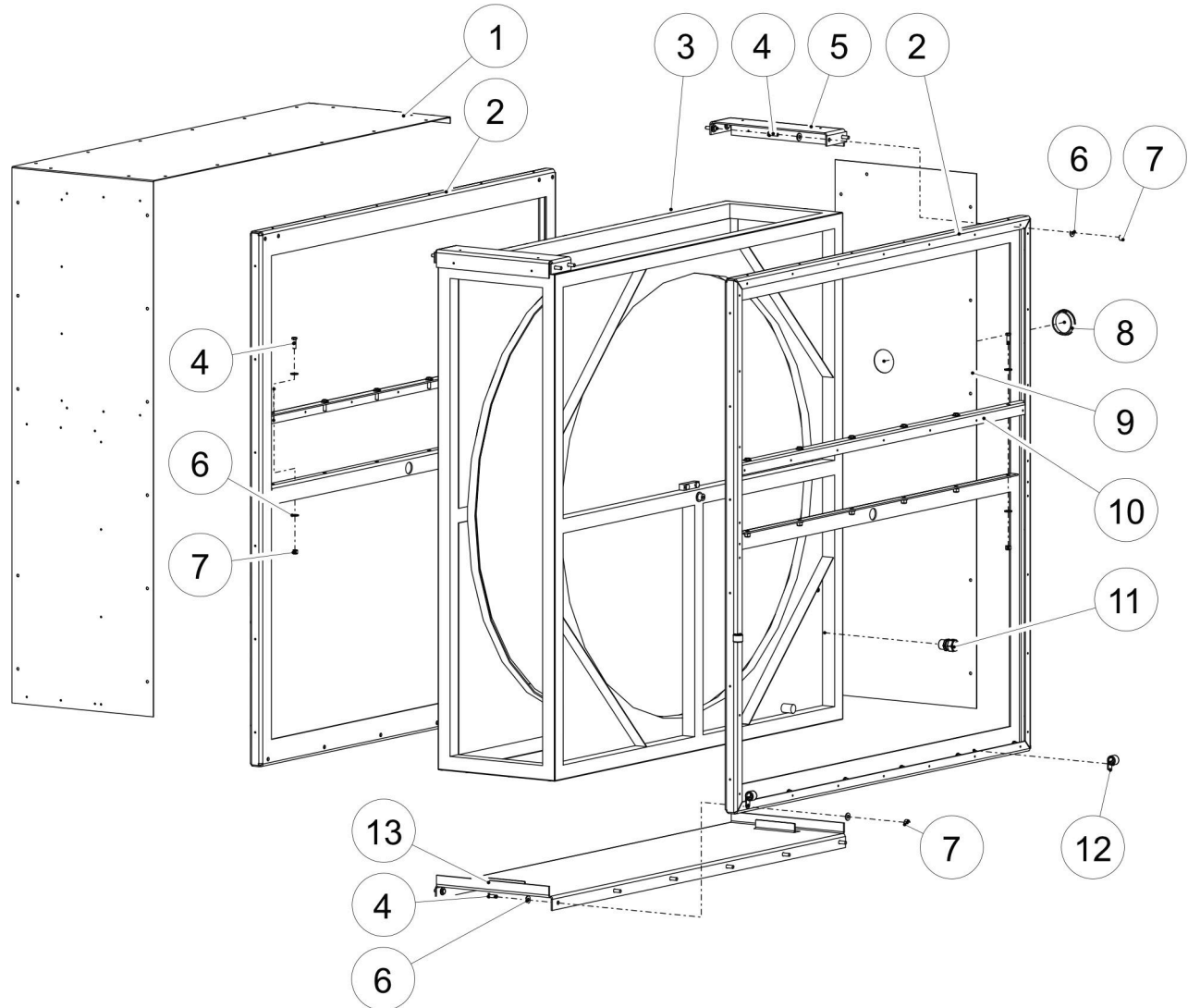




**Desiccant Dehumidifier
DCAN 30 Series
Coil Side and Panels**

S/N: 1684-01 -
S/N: Current
PAGE: 2.1.6

Item No.	Part No.	Description	Qty.
1		COIL AND FILTER RETAINER - see page 2.1.11	
2		CONTROL - see page 2.1.13	
3	004-903891	PNL COIL TOP DCAN 30	1
4	011-903866	BLKHD ADPTR 1/4NPSM X 3/16 HB NYL	1
5	004-903861	ANG FLTR BANK STOP DCAN 30	1
6	004-903860	FRAME COIL WINDOW DCAN 30	1
7	004-903901	DVDR DCAN 30	1
8	004-903859	ANG PRO FAN SIDE DCAN 30	1
9	004-903902	PNL COIL END DCAN 30	1
10	004-903894	PNL BTM PAN DCAN 30	1
11	004-903914	CVR COIL CON DCAN 30	1
12	004-903913	FRAME COIL SIDE DCAN 30	1
13	004-903900	BRKT PRO FAN BLANK DCAN 30	1
14	004-903862	ANG COIL END DCAN 30	1
15	004-903890	PNL COIL SIDE DCAN 30	1
16	016-903920	PLUG PLSTC 1/2IN DIA	1
17	004-903915	CVR COIL END DCAN 30	1
18	002-704262	CONN STRN/RLF 1/2 .24-.47 CE/CSA	1
19	004-903892	PNL CVR PRO FAN DCAN 30	1
20	001-901203	RIVET 5/32 GRP .126 -.250 SS	18
21	004-903967	MNT FAN MODEL EKHR450 B-WHEEL	1
22	004-903864	FLANGE DUCT MTG DCAN 30	2
23	001-701482	BOLT 1/4X3/4 PLD GR5	16
24	001-903877	WSHR FLT 1/4 SAE ZINC PLD STL	20
25	001-700739	BOLT 1/4X1 PLD GR5	2
26	004-903872	SPRT FAN LEFT DCAN 30	2
27	001-700042	NUT LKG NYL 1/4 UNC PLD	18

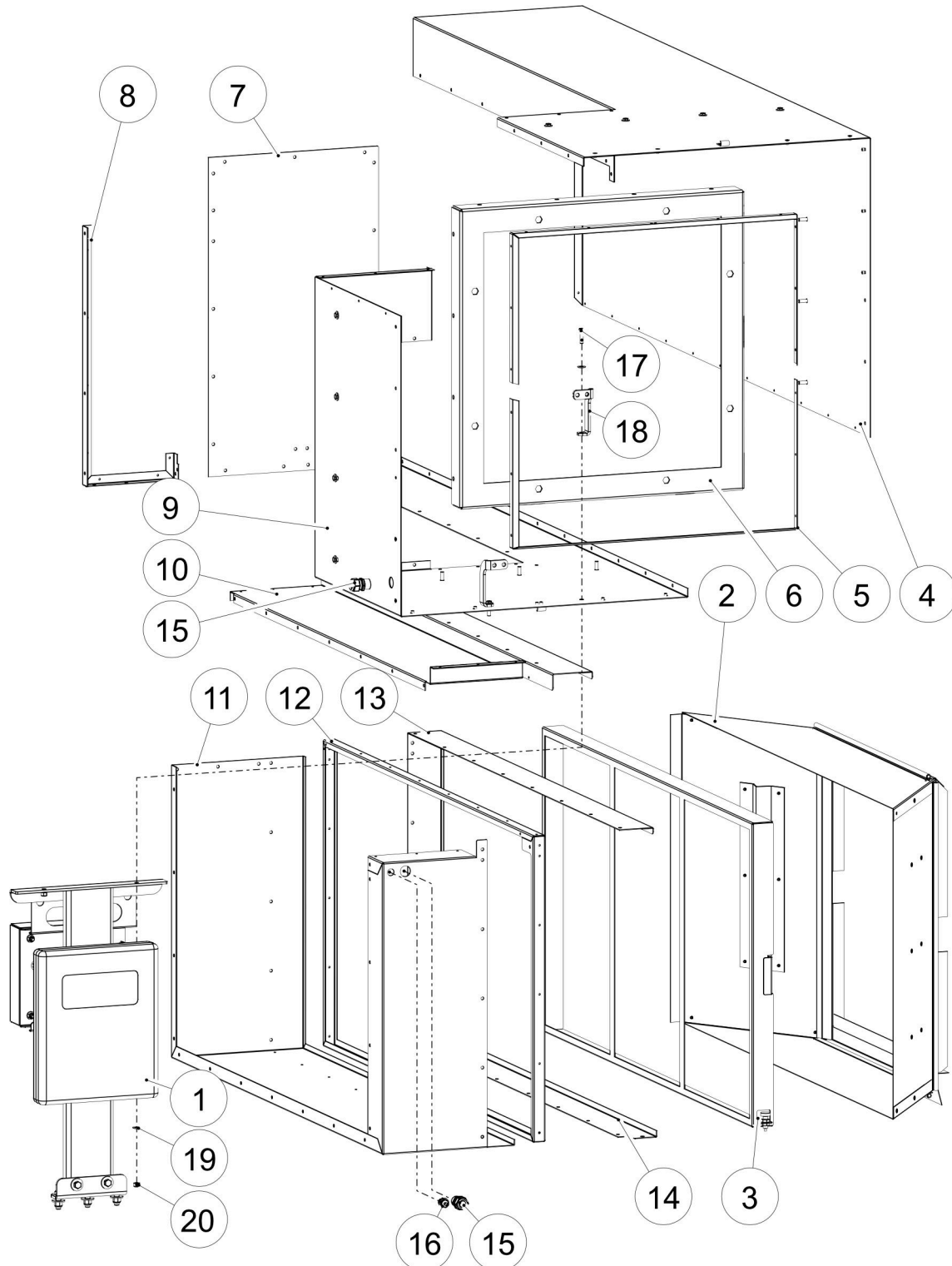




**Desiccant Dehumidifier
DCAN 30 Series
DCAN Wheel**

S/N: 1684-01 -
S/N: Current
PAGE: 2.1.8

Item No.	Part No.	Description	Qty.
1	004-903885	PNL WHEEL CVR BACK DCAN 30	1
2	004-903883	FRAME ADPTR WHEEL DCAN 30	2
3	012-903882	WHEEL RS 965-200 CASSETTE DCAN 25	1
4	001-701482	BOLT 1/4X3/4 PLD GR5	32
5	004-903886	CHNL TOP DCAN 30	2
6	001-903877	WSHR FLT 1/4 SAE ZINC PLD STL	64
7	001-700042	NUT LKG NYL 1/4 UNC PLD	32
8	016-903919	PLUG PLSTC SEE-THRU 2IN DIA	1
9	004-903887	PNL MTR CVR DCAN 30	1
10	004-903888	ANG GAP FILL DCAN 30	2
11	002-704262	CONN STRN/RLF 1/2 .24-.47 CE/CSA	1
12	001-902362	CLP 1/2ID RBR CUSH SPRT	3
13	004-903884	CHNL BASE WHEEL DCAN 30	1

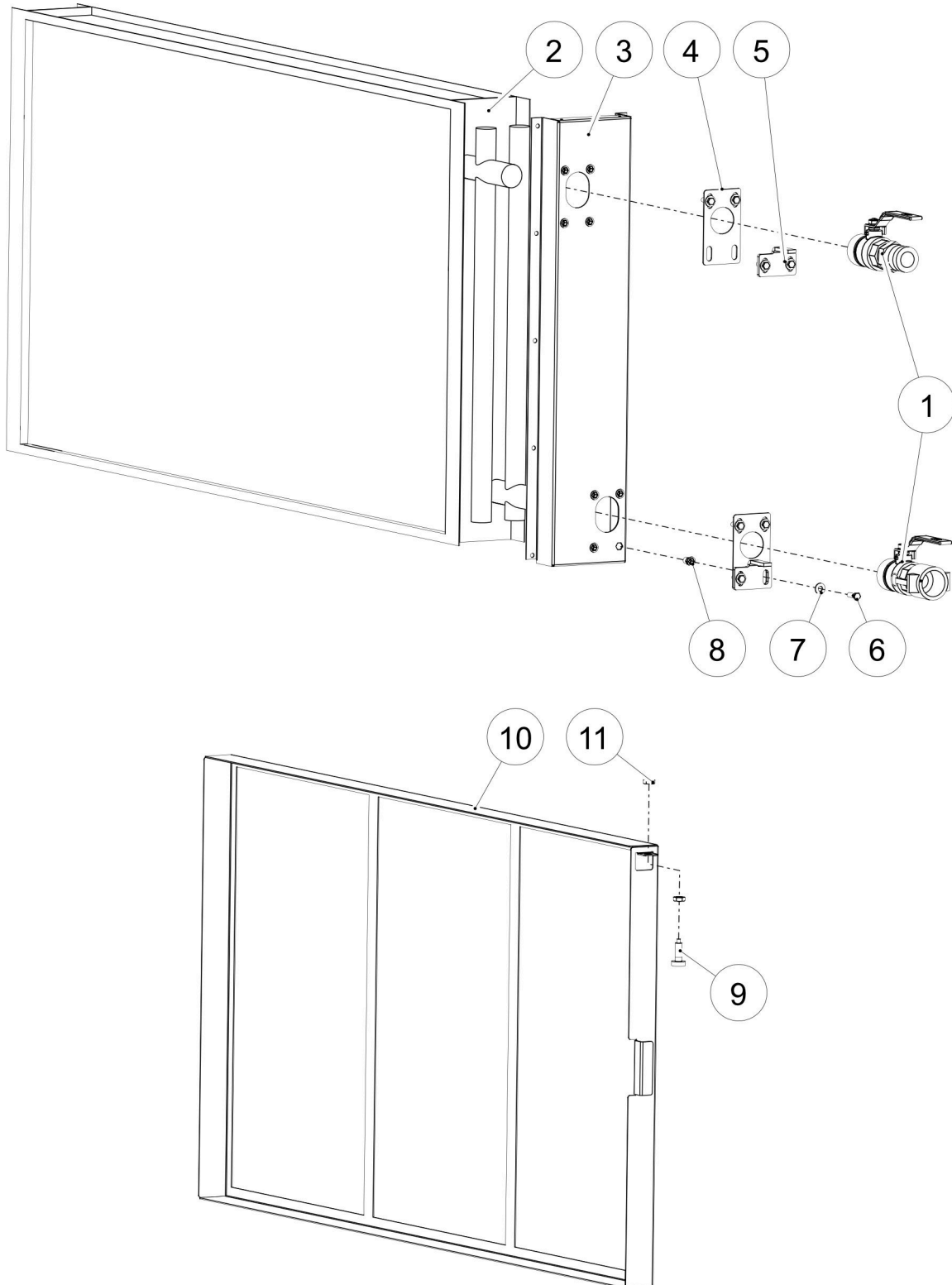




**Desiccant Dehumidifier
DCAN 30 Series
Process Side**

S/N: 1684-01 -
S/N: Current
PAGE: 2.1.10

Item No.	Part No.	Description	Qty.
1		REMOTE - see page 2.1.15	
2		PROCESS AIR INTAKE - see page 2.1.17	
3		FILTER RETAINER - see page 2.1.11	
4	004-903893	PNL REACT OUTER DCAN 30	1
5	004-903864	FLANGE DUCT MTG DCAN 30	2
6	004-903967	MNT FAN MODEL EKHR450 B-WHEEL	1
7	004-903858	PNL WET AIR END DCAN 30	1
8	004-903855	BRKT WET AIR ANGLE DCAN 30	1
9	004-903889	PNL REACT INNER DCAN 30	1
10	004-903853	TOP HSG PRO AIR FLTR DCAN 30	1
11	004-903852	BTM HSG PRO AIR FLTR DCAN 30	1
12	004-903854	FRAME FLTR WINDOW DCAN 30	1
13	004-903856	CHAN PRO AIR FLTR DCAN 30	1
14	004-903857	CHAN ADAPT DCAN 30	1
15	002-704262	CONN STRN/RLF 1/2 .24-.47 CE/CSA	2
16	011-903866	BLKHD ADPTR 1/4NPSM X 3/16 HB NYL	1
17	001-700739	BOLT 1/4X1 PLD GR5	2
18	004-903871	SPRT FAN DCAN 30	2
19	001-903877	WSHR FLT 1/4 SAE ZINC PLD STL	4
20	001-700042	NUT LKG NYL 1/4 UNC PLD	2

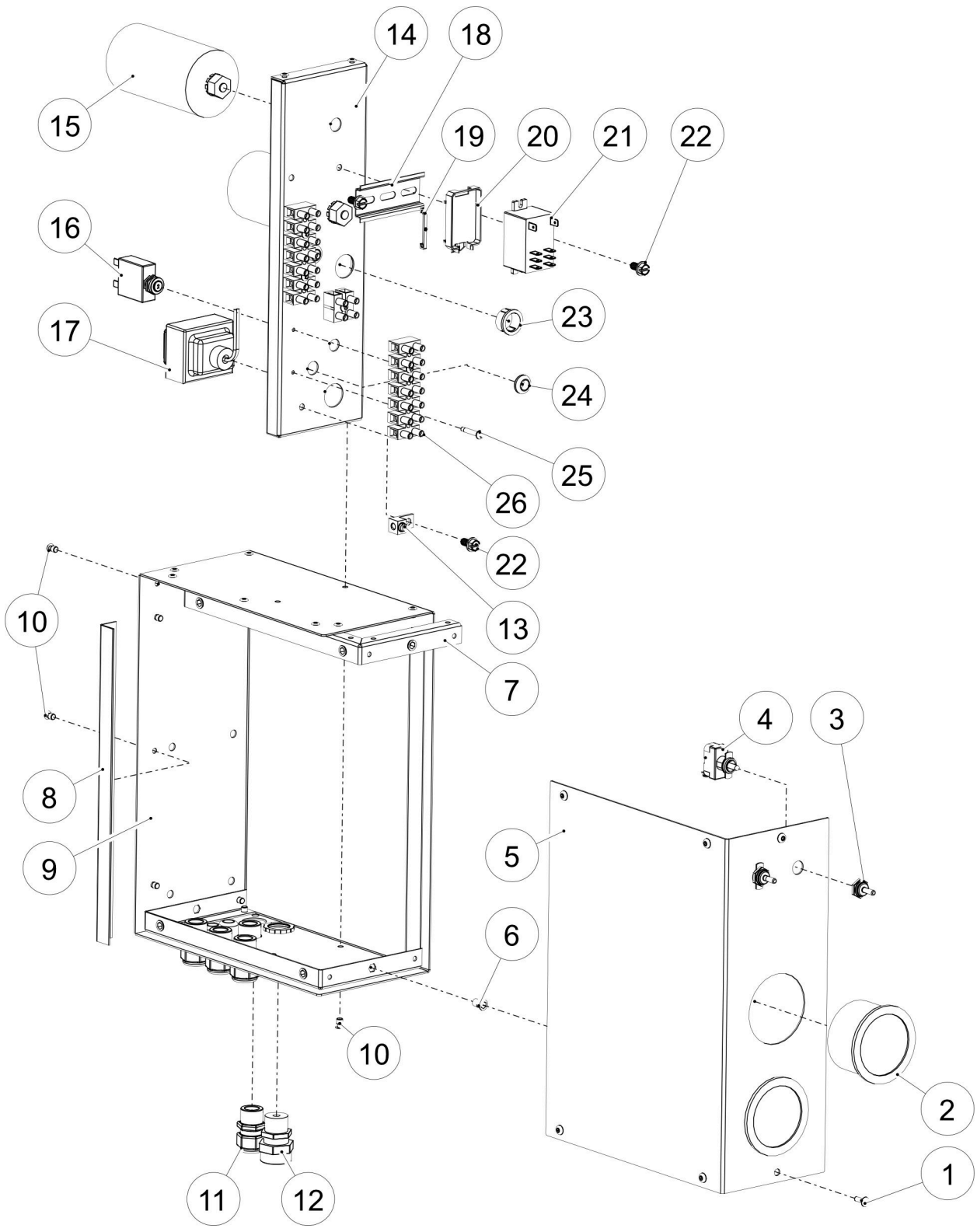




**Desiccant Dehumidifier
DCAN 30 Series
Coil and Air Filter Retainer**

S/N: 1684-01 -
S/N: Current
PAGE: 2.1.12

Item No.	Part No.	Description	Qty.
1		KAMLOCKS	
2	012-903833	COIL WTR 4WY1203D-023.75X046.50	1
3	004-903914	CVR COIL CON DCAN 30	1
4	004-903916	PLT FLSHG MS DCAN 30	2
5	004-903917	SPRT COIL DCAN 30	2
6	001-701482	BOLT 1/4X3/4 PLD GR5	8
7	001-903877	WSHR FLT 1/4 SAE ZINC PLD STL	8
8	001-703896	INSERT THD 1/4 UNC HEX BODY	8
9	001-903911	PLNGR 3/8UNC X 1-1/4L KNRL HD	1
10	004-903912	BANK FLTR HOLDER DCAN 30	1
11	001-701601	NUT JAM 3/8 NC	2

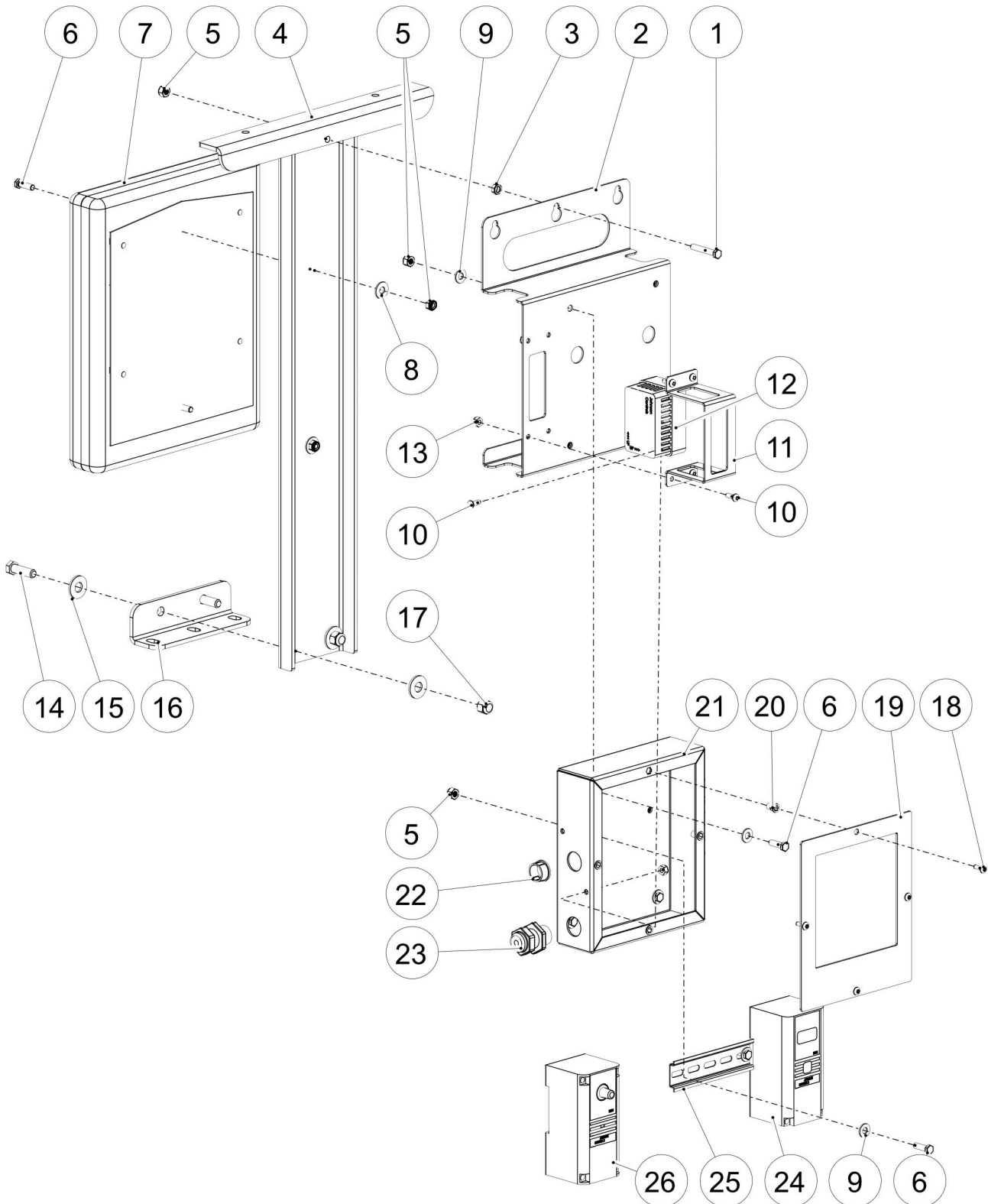




**Desiccant Dehumidifier
DCAN 30 Series
Control**

S/N: 1684-01 -
S/N: Current
PAGE: 2.1.14

Item No.	Part No.	Description	Qty.
1	001-704515	SCRW MACH 10-24X1/2 SS UNC BTN HD 1/8HEX DR	6
2	005-703933	GAUGE PRESS 0 - 2.0 IN Wg	2
3	002-702191	CVR BOOT TGL SW	2
4	002-701359	SW TGL SPST 20A 125V SCRW TERM	2
5	004-903909	PNL CVR CTRL PNL DCAN 30	1
6	001-703564	INSERT THD 10-24 HEX BODY	6
7	004-903905	FLANGE ANG CTRL PNL DCAN 30	2
8	004-903906	ANG CTRL PNL DCAN 30	1
9	004-903907	BOX ELEC ENC CTRL PNL DCAN 30	1
10	001-903959	RIVET 5/32D .126-.187GRP AL-STL CLOSED END	25
11	002-704262	CONN STRN/RLF 1/2 .24-.47 CE/CSA	4
12	002-704044	CONN STR/RLF 1/2 .188-.250 CABLE RNG	1
13	002-704291	LUG ELEC GROUND ALUMINUM	1
14	004-903904	DVDR CTRL PNL DCAN 30	1
15	002-903929	CAPACITOR 100UF 250 VAC 2-1/2D X 4-1/4L	2
16	002-903711	BRKR CIR 2A SP PUSH TO RESET	1
17	006-701213	XFMR 40VA 120V 60HZ 24V CLASS 2	1
18	004-704385	RAIL DIN MTG 3L	1
19	002-906301	CLIP END DIN RAIL 45MM	2
20	002-901418	MNT DIN ADPT 62 RELAY (FINDER 066.07)	1
21	002-900394	RELAY 24V DPDT 7500VAC NO 2500VAC NC	1
22	001-701597	SCRW THDCT 1/4-20X1/2HWHT-1	3
23	002-701115	BSHG KO 1/2	1
24	009-903910	GROM 3/8ID X 5/8OD X 1/4THK RBR	3
25	001-704571	SCRW SH MET #8x1 PAN HD SQ SS	5
26	002-903908	TERM STRIP 12POLE .531IN SEP 50A	3

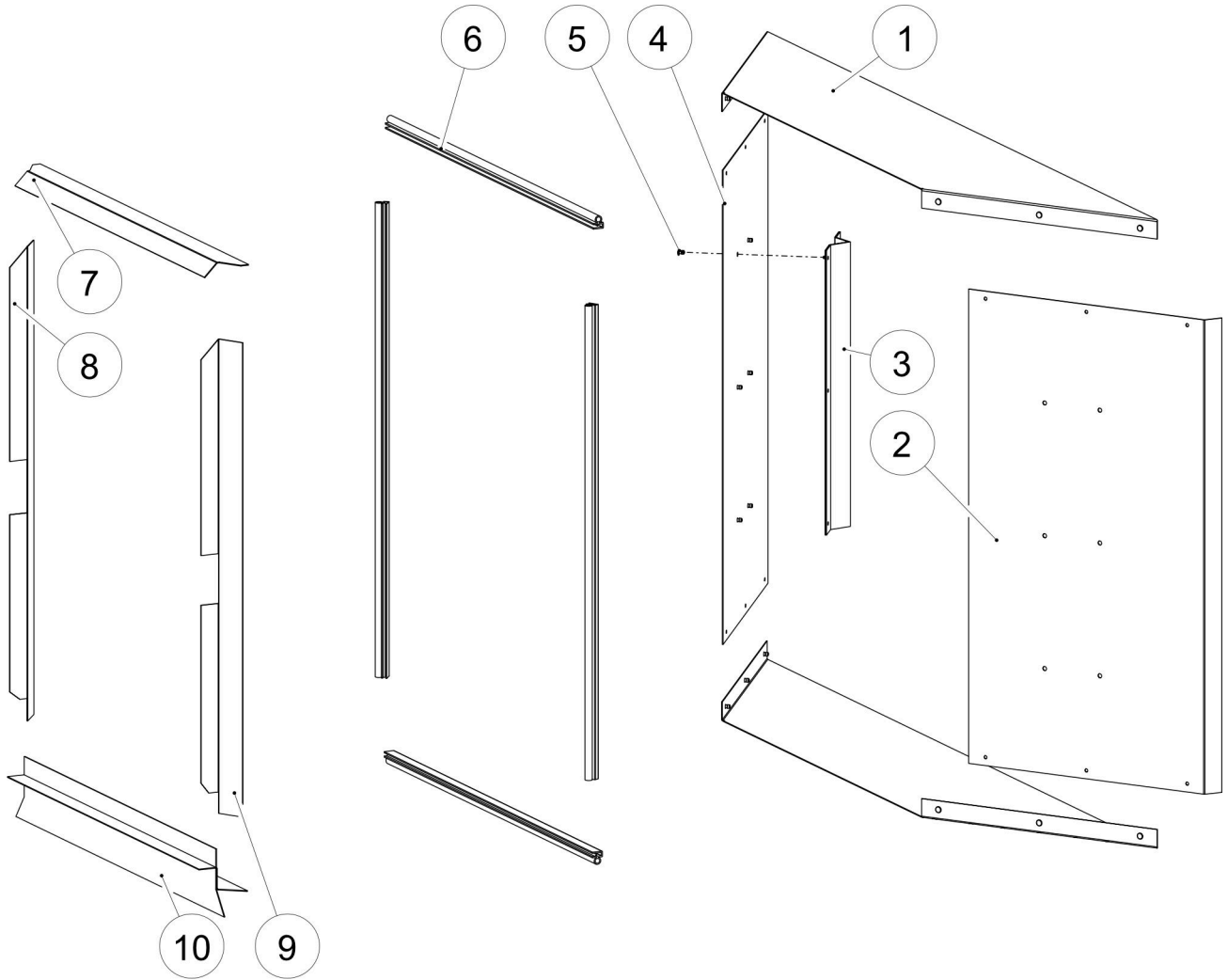




**Desiccant Dehumidifier
DCAN 30 Series
Remote**

S/N: 1684-01 -
S/N: Current
PAGE: 2.1.16

Item No.	Part No.	Description	Qty.
1	001-700956	BOLT 1/4X1-1/2 PLD GR5	1
2	004-903867	PLT CTRL REMOTE DCAN 30	1
3	001-700888	NUT 1/4 PLD	1
4	004-903756	SPRT BLOWER DCAN 30	1
5	001-700042	NUT LKG NYL 1/4 UNC PLD	9
6	001-701482	BOLT 1/4X3/4 PLD GR5	8
7	016-702616	CASE OPR MNL MANUAL-PAK	1
8	001-700129	WSHR FLT 1/4 PLD	2
9	001-903877	WSHR FLT 1/4 SAE ZINC PLD STL	10
10	001-700806	SCRW MACH 10-24X1/2	6
11	004-903874	COVER SENSOR DCAN 30	1
12	005-903869	SNSR HUMIDITY W351	1
13	001-700805	NUT LKG 10-24 PLD	6
14	001-700960	BOLT 3/8X1-1/4 PLD GR5	2
15	001-700719	WSHR FLT 3/8 PLD	4
16	004-903865	SPRT BTM ANG DCAN 30	1
17	001-700721	NUT LKG NYL 3/8 UNC PLD	2
18	001-704515	SCRW MACH 10-24X1/2 SS UNC BTN HD 1/8HEX DR	4
19	004-903873	COVER REMOTE DCAN 30	1
20	001-703564	INSERT THD 10-24 HEX BODY	4
21	004-903870	BOX ELEC ENC CTRL REMOTE DCAN 30	1
22	002-701115	BSHG KO 1/2	1
23	002-704044	CONN STR/RLF 1/2 .188-.250 CABLE RNG	1
24	005-903868	DSPLY MOD HUMIDITY D351	1
25	004-901600	RAIL DIN MTG 4-7/8L	1
26	005-703924	CNTRL ON/OFF HUMIDITY W351	1

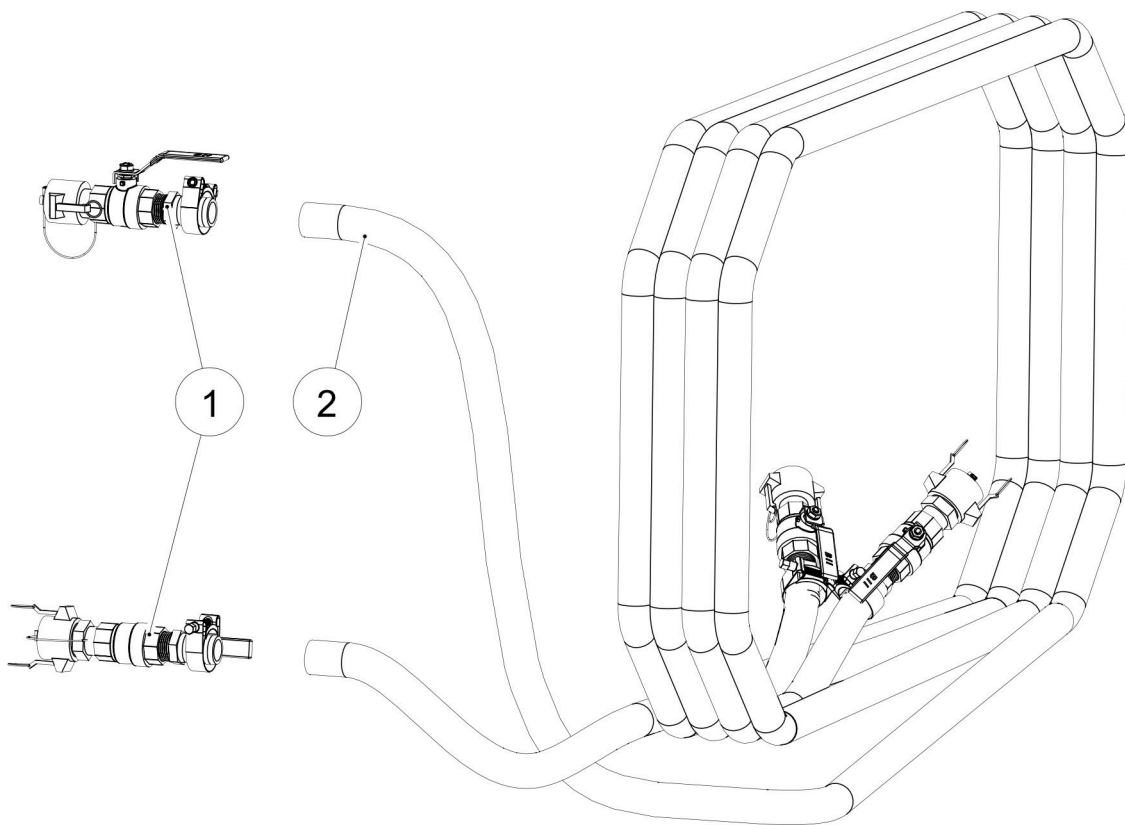




**Desiccant Dehumidifier
DCAN 30 Series
Process Air Intake**

S/N: 1684-01 -
S/N: Current
PAGE: 2.1.18

Item No.	Part No.	Description	Qty.
1	004-905371	TRANS BOTTOM-TOP DCAN 30	2
2	004-905373	TRANS SIDE CW FLANGED DCAN 30	1
3	004-905374	TRANS INSIDE FLANGED DCAN 30	2
4	004-905372	TRANS SIDE DCAN 30	1
5	001-902329	RIVET 5/32X.062 .125 SS	24
6	017-903780	WEATHER STRIP 1/8 EDGE 3/8H CW NPRN BULB	100 IN
7	004-905376	TRANS TOP TRIM DCAN 30	1
8	004-905378	TRANS LEFT TRIM DCAN 30	1
9	004-905377	TRANS RIGHT TRIM DCAN 30	1
10	004-905375	TRANS BOTTOM TRIM DCAN 30	1

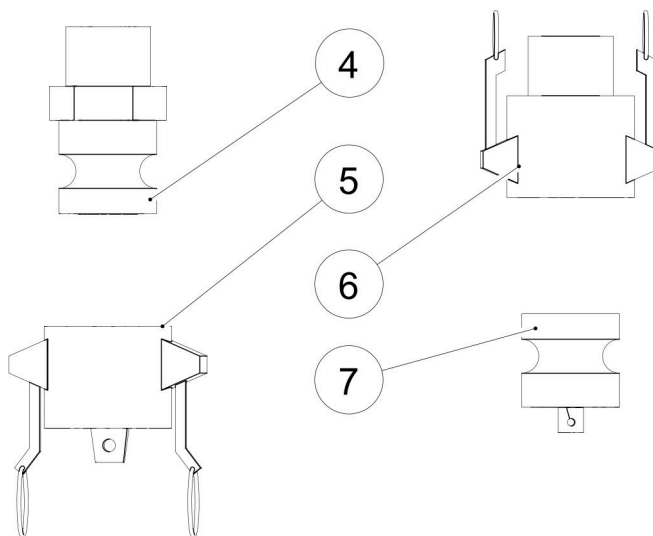
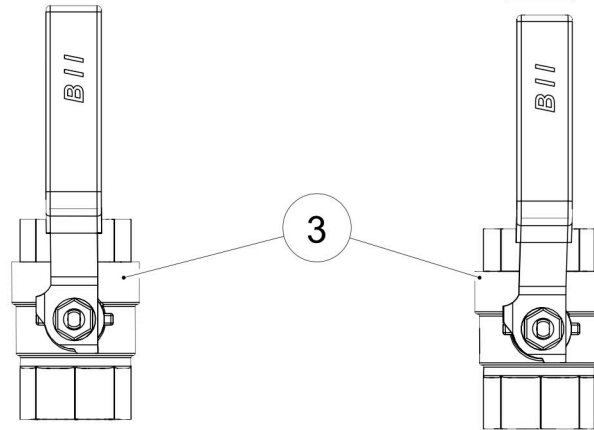
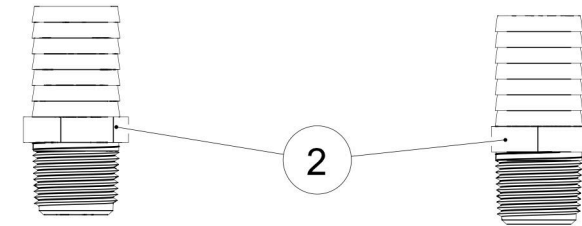
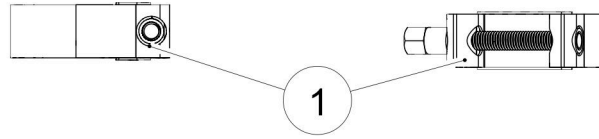




**Desiccant Dehumidifier
DCAN 30 Series
Hose Assembly**

S/N: 1684-01 -
S/N: Current
PAGE: 3.1.2

Item No.	Part No.	Description	Qty.
1		KAMLOCKS - see page 3.1.3	
2	013-701347	HOSE 1-1/4 EXPLORER AIR 50FT LN	1





**Desiccant Dehumidifier
DCAN 30 Series
Kamlocks**

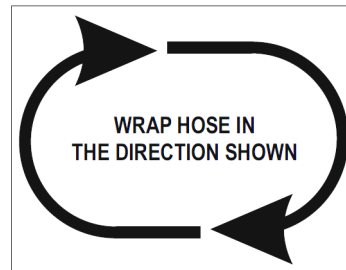
S/N: 1684-01 -
S/N: Current
PAGE: 3.1.4

Item No.	Part No.	Description	Qty.
1	001-704678	CLP HOSE HEAVY DUTY 1.69-1.85 RNG (43-47mm)	2
2	011-702227	NIPL COMB 1NPTX1-1/4(1-5/8L)HB BRS***QC ITEM***	1
3	011-700366	VLV BALL 1 400WOG FL PT BRS CGA NPTF	2
4	011-700725	KMLCK 1 PART F MXM AL NPTM	1
5	011-700368	KMLCK 1 PART DC CAP AL	1
6	011-700101	KMLCK 1 PART B FXM AL NPTM	1
7	011-700102	KMLCK 1 PART DP PLUG AL	1
		The following components may not be shown	
	001-700451	CABLE ACFT 7X7 1/16 GALV	
	001-700450	SLEEVE OVAL 1/16 AL CABLE	

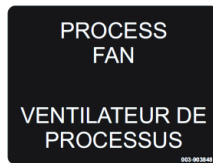
1



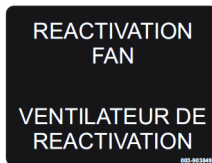
2



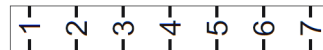
3



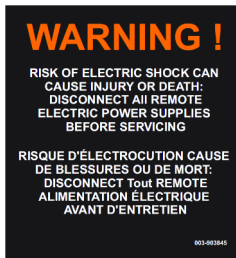
4



5



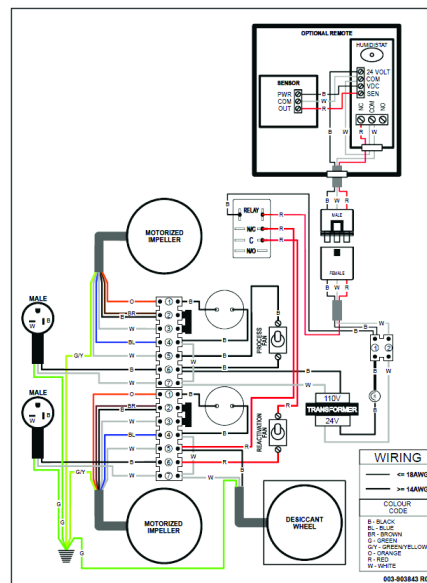
6



7



8



9



10



Item No.	Part No.	Description	Qty.
1A	003-904392	DECAL DRYAIR DCAN30 41X16.42	2
1B	003-904390	DECAL DRYAIR DCAN30 24X9.614	2
1C	003-904391	DECAL DRYAIR DCAN30 18X7.21	2
2	003-904009	DECAL WRAP HOSE DCAN	1
3	003-903848	DECAL PROCESS FAN DCAN	1
4	003-903849	DECAL REACTIVATION FAN DCAN	1
5	003-903847	DECAL TERM STP 1-7 .531 SPCG	2
6	003-903845	DECAL WARNING RISK OF SHOCK	1
7	003-903846	DECAL CAUTION HOT GLYCOL	1
8	003-903843	DECAL ELEC SCHEM DCAN 30	1
9	003-903844	DECAL CONT PNL DCAN	1
10	003-906747	DECAL QR OP MAN DCAN30	1



Desiccant Dehumidifier DCAN 30 Series
S/N: 1684-01 - Current

Part No. 023-905866
Rev. 01 05-02-2023