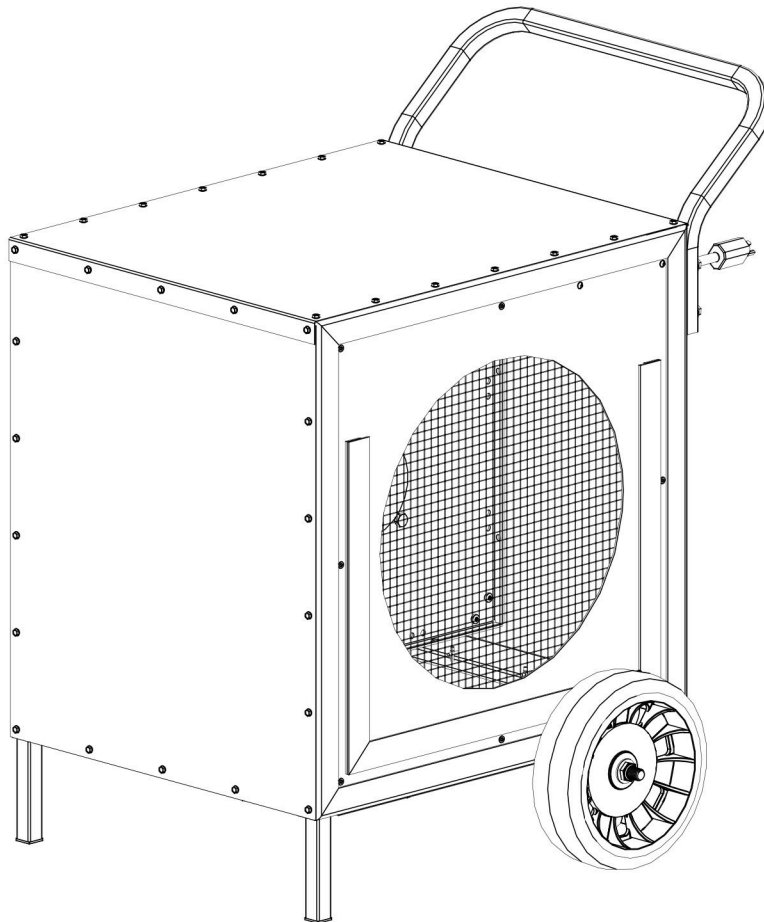




Heat **Dry** **Thaw** **Cure**

PARTS CATALOGUE

Duct Boost






DRYAIR MANUFACTURING CORP.
PO BOX 126, 400 SERVICE ROAD
ST. BRIEUX, SK S0K 3V0
CANADA
www.dryair.ca

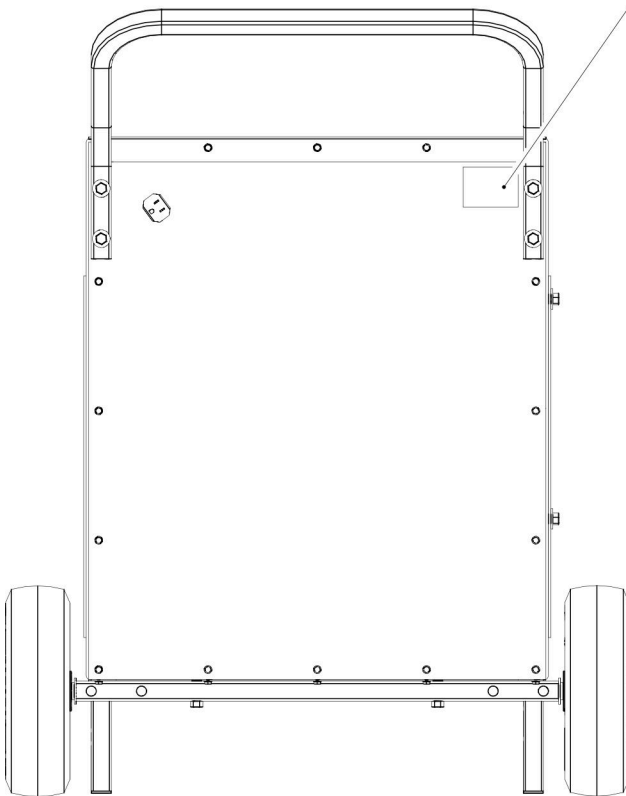
Tel: 1 (306) 275-4848
Toll-Free: 1 (888) 750-1700
Fax: 1 (306) 275-4664
Email: parts@dryair.ca



Duct Boost

Serial Number Location

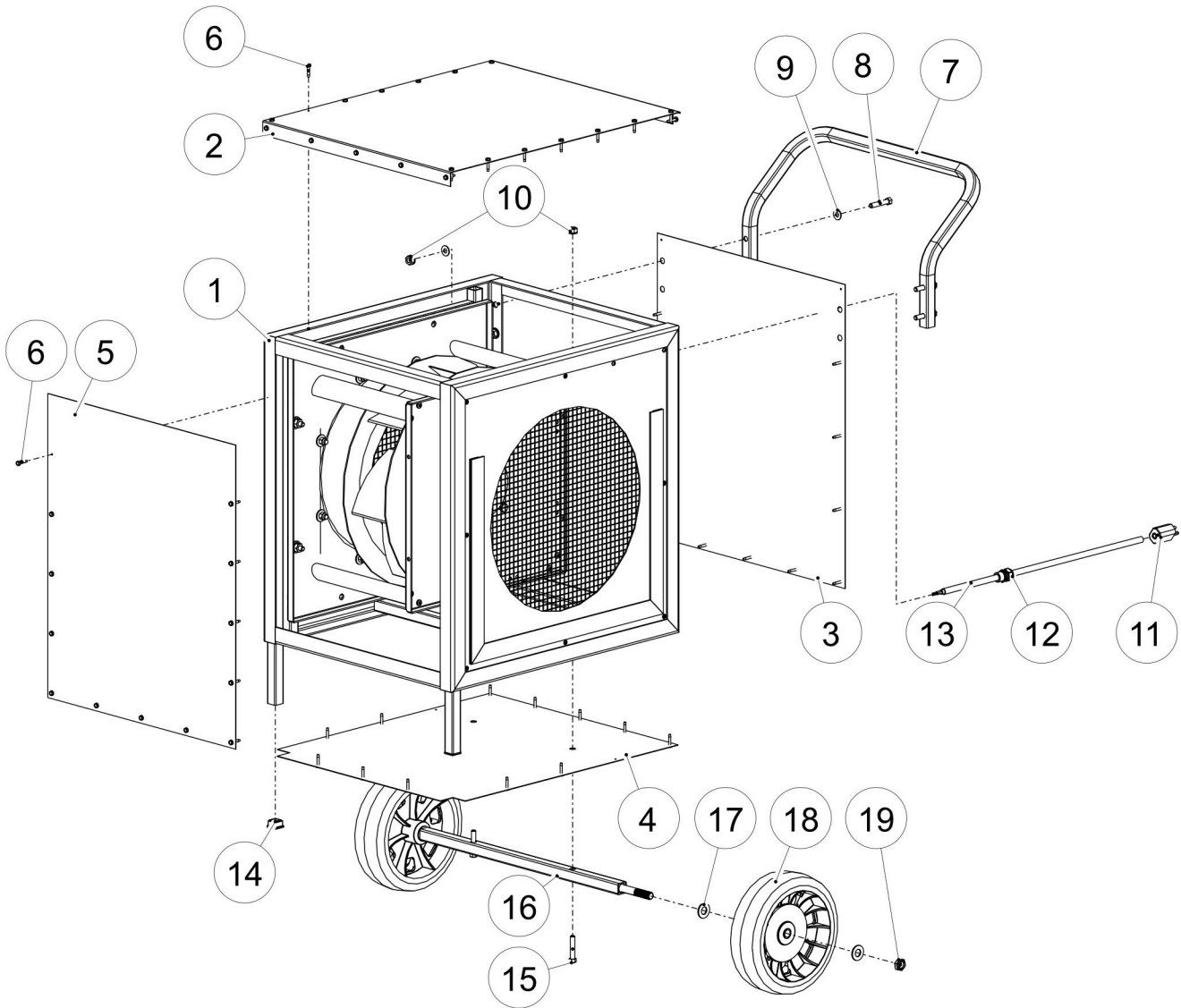
		P.O. Box 126 400 Service Road St. Brieux, Sk. Canada S0K 3V0 	
Model - Modèle:			
Reference - Référence:			
Production Schedule: Calendrier de Production:			
Max. Ampacity-Max. Ampacité:			
		003-903395 R01	





Duct Boost
Table of Contents

Exterior Components..... 1.1.1
Interior Components 1.1.3
Fan Components 1.1.5
Decals 2.1.1

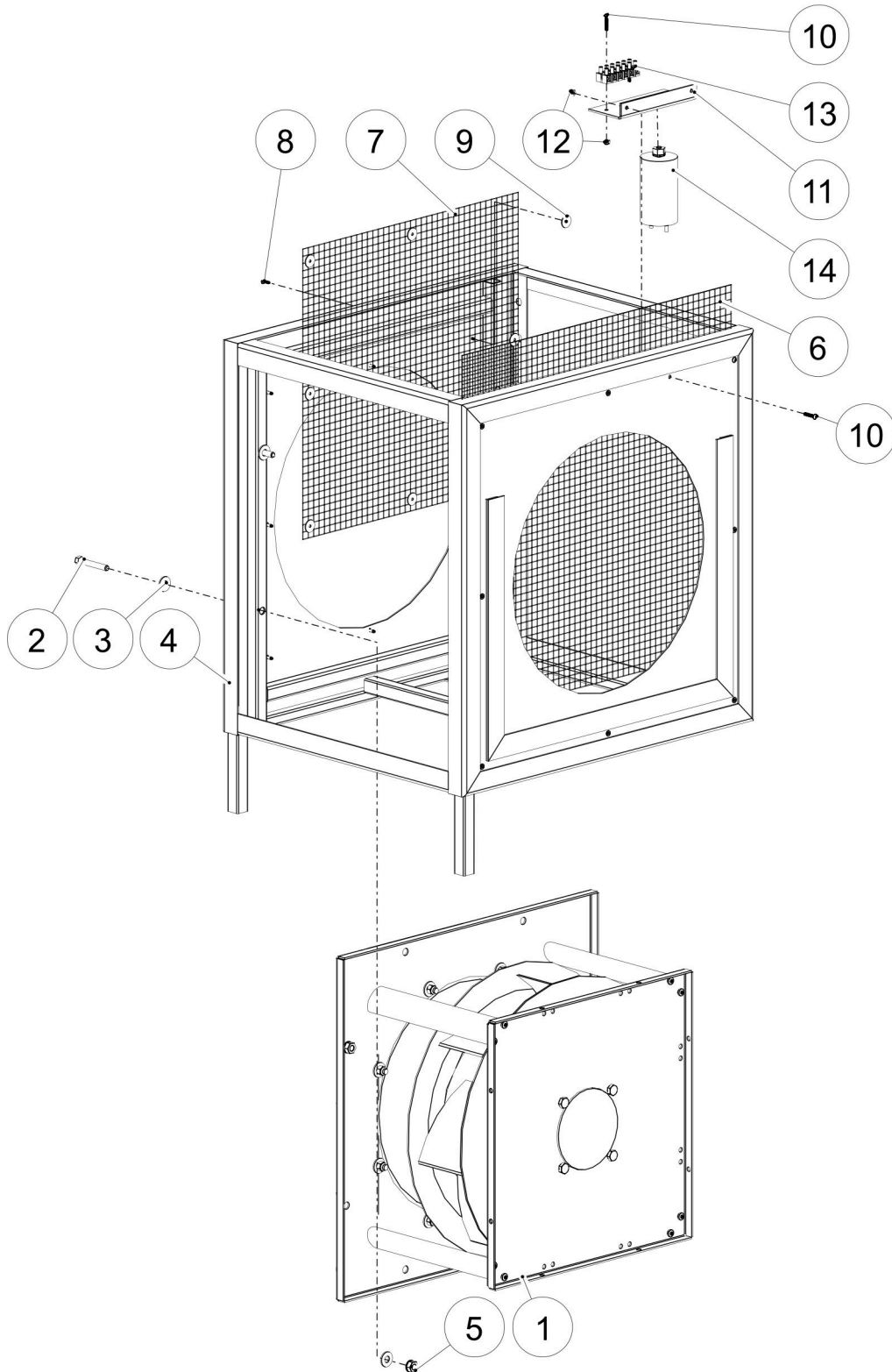




Duct Boost Exterior Components

S/N: 1940-01 -
S/N: Current
PAGE: 1.1.2

Item No.	Part No.	Description	Qty.
1		INTERNAL COMPONENTS - see page 1.1.3	
2	004-904846	PNL ALUM 20X27 LID DUCT BOOST INLINE	1
3	004-906649	PNL ALUM 20X27 DUCT BOOST INLINE HNDL SIDE	1
4	004-906648	PNL ALUM 20X27 DUCT BOOST INLINE BTM	1
5	004-904845	PNL ALUM 20X27 DUCT BOOST INLINE	1
6	001-700629	SCRW D/T 10-16X3/4 5/16HEX HD PLD	60
7	004-904843	HDL DUCT BOOST INLINE	1
8	001-701498	BOLT 3/8X2 PLD	4
9	001-700719	WSHR FLT 3/8 PLD	8
10	001-700721	NUT LKG NYL 3/8 UNC PLD	6
11	002-700036	PLUG CORD MALE YEL 3PR 120V	1
12	002-704262	CONN STRN/RLF 1/2 .24-.47 CE/CSA	1
13	002-702644	CABLE SJTOW 14/3 300V CSA	1
14	016-700718	CAP PLSTC BLK 1X1X100W TBG	4
15	001-701498	BOLT 3/8X2 PLD	2
16	004-904838	AXLE DUCT BOOST INLINE 24IN TBG	1
17	001-700944	WSHR FLT 5/8 SAE PLD	4
18	009-902330	WHEEL 10X3 D6SS CW 5/8ID PRECISION BEARING	2
19	001-902393	NUT LKG NYL JAM 5/8 UNC PLD	20

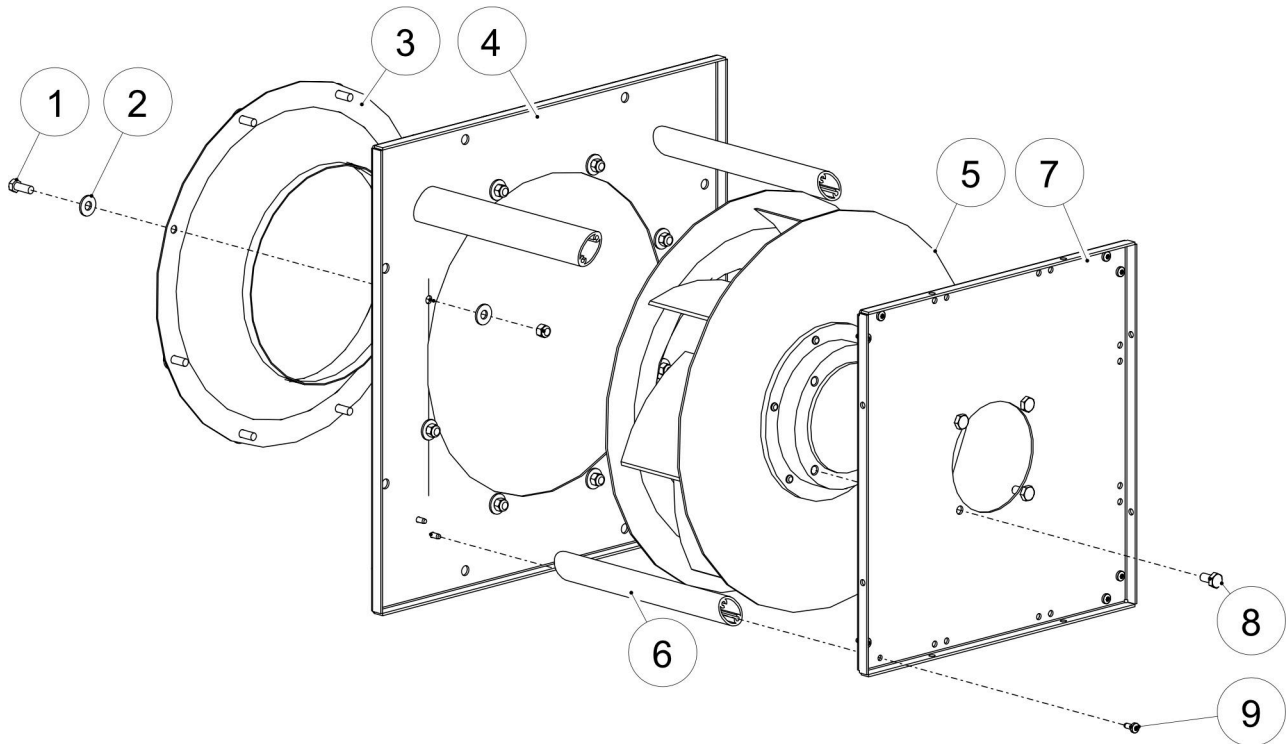




Duct Boost Interior Components

S/N: 1940-01 -
S/N: Current
PAGE: 1.1.4

Item No.	Part No.	Description	Qty.
1		FAN - see page 1.1.5	
2	001-700726	BOLT 3/8X2-1/2 PLD GR5	4
3	001-700719	WSHR FLT 3/8 PLD	8
4	004-904829	FRAME WELDMENT DUCT BOOST INLINE	1
5	001-700721	NUT LKG NYL 3/8 UNC PLD	4
6	004-906660	SCREEN 1/2X1/2 23X25	1
7	004-906661	SCREEN 1/2X1/2 20X20	1
8	001-700803	RIVET 5/32 GRP .3125-.375 SS	8
9	001-701208	WSHR FNDR 7/8X5/32 PLD	15
10	001-702337	SCRW MACH 10-24X1 PANHEAD	4
11	004-906675	ANG ELEC MNT DCAN BOOST CW HOLES	1
12	001-700805	NUT LKG 10-24 PLD	4
13	002-903908	TERM STRIP 12POLE .531IN SEP 50A	1
14	002-903929	CAPACITOR 100UF 250 VAC 2-1/2D X 4-1/4L	1



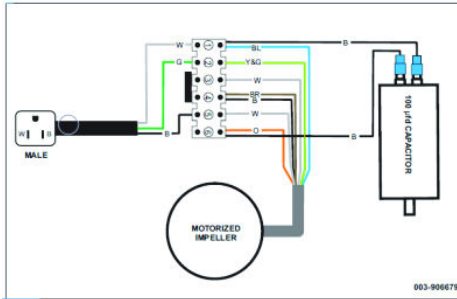


Duct Boost Fan Components

S/N: 1940-01 -
S/N: Current
PAGE: 1.1.6

Item No.	Part No.	Description	Qty.
1	001-700804	BOLT 3/8X1 PLD GR5	8
2	001-700719	WSHR FLT 3/8 PLD	16
3	004-903932	INLET CONE Q51-45042 ROSENBERG	1
4	004-903935	PLT FRONT FAN MNT EKHR450	1
5	012-903933	FAN MOTORIZED IMPELLER EKRH450 B-WHEEL	1
6	004-903934	STAND OFF FAN MODEL EKHR450 B-WHEEL	4
7	004-903903	PLT MNT MTR EKHR 450	1
8	001-903732	BOLT M10-1.5X20MM HEX HEAD SS	4
9	001-704739	SCRW HEX HEAD THREAD ROLLING 1/4-20x5/8L	16

1



2



3

www.dryair.ca

4



Item No.	Part No.	Description	Qty.
1	003-906679	DECAL ELEC SCHEM DCAN BOOST FAN	1
2	003-906671	DECAL DRYAIR 16X2.48 BLACK	1
3	003-906672	DECAL WWW.DRYAIR.CA 15X1.77 BLACK	1
4	003-906670	DECAL BF200 BLACK	2

