



Heat

Dry

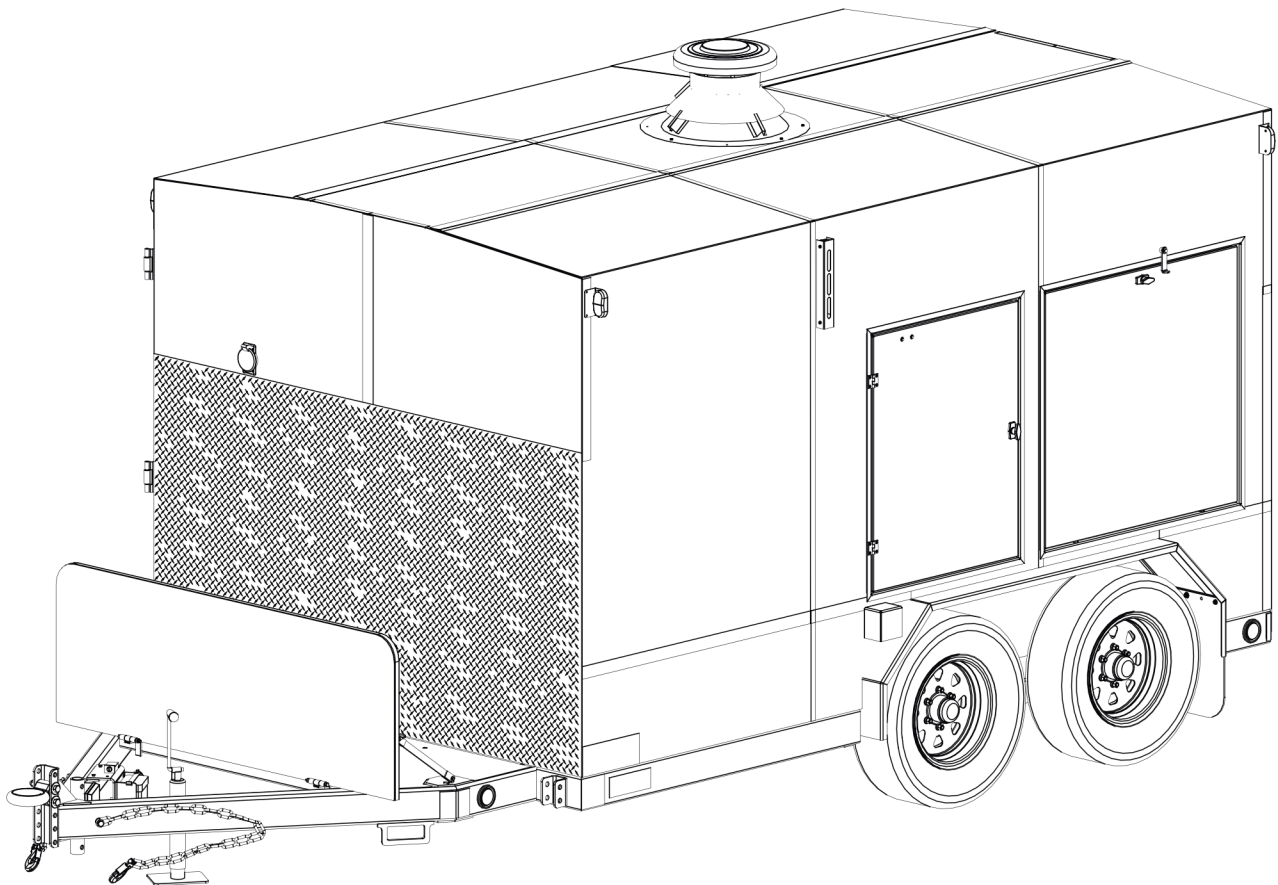
Thaw

Cure

# PARTS CATALOGUE

## Central Mobile Enclosure

## Heat Center Pro Series



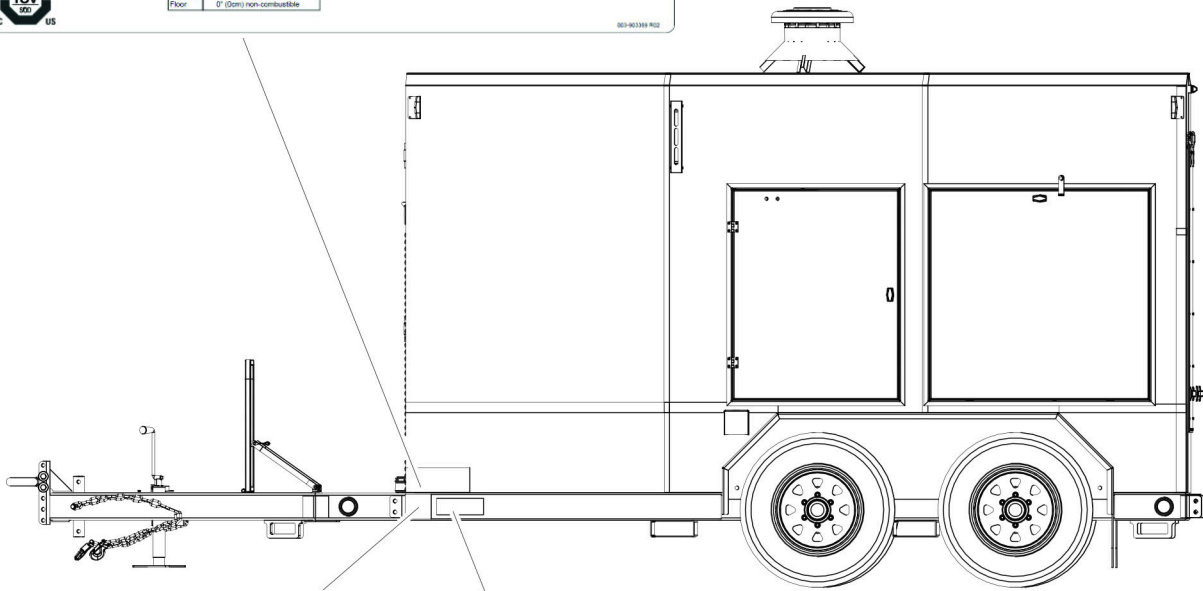
**DRYAIR MANUFACTURING CORP.**  
PO BOX 126, 400 SERVICE ROAD  
ST. BRIEUX, SK S0K 3V0  
CANADA  
[www.dryair.ca](http://www.dryair.ca)

Tel: 1 (306) 275-4848  
Toll-Free: 1 (888) 750-1700  
Fax: 1 (306) 275-4664  
Email: [parts@dryair.ca](mailto:parts@dryair.ca)



# Central Mobile Enclosure HCP Series Serial Number Location

<b>DRYAIR</b>		P.O. Box 126 400 Service Road St. Brioux, SK Canada S0K 3V0		MADE IN CANADA	
DRYAIR Model: _____		Reference: _____			
Serial No.: _____		Prod. Sched.: _____			
<b>Main Power</b>		<b>Oil Burner</b>		<b>Natural Gas Burner</b>	
Volts:	240 VOLT (N.O.)	Model:	Riello 40-F20	Model:	Riello 40-G900
Phase:	1	Fuel:	#2 Heating Oil #1 Heating Oil	Fuel:	Natural Gas
Hz:	60 HZ	Capacity Value:	140,000 BTU / US Gal 150,000 BTU / US Gal	Capacity Value:	1000 BTU/HP
Max. Ampacity:	30 A	Output:	BTU/H	Max. Gas Pressure:	14" W.C.
Control Voltage:	120/240VAC	Fuel Input:	US GPH	Min. Gas Pressure:	12" W.C.
Min. Circuit Breaker:	A	Pump Pressure:	P.S.I.	Manifold Gas Pressure:	W.C.
Max. Overcurrent:	A			Input Capacity:	BTU/H
				Output Capacity:	BTU/H
Complies to: ANSI Z21.13		<b>Clearances:</b>			
		Sides: 24" (610mm) minimum			
		Flue Pipe: 36" (914mm) minimum			
		Floor: 0" (0mm) non-combustible			
				003-90594-902	



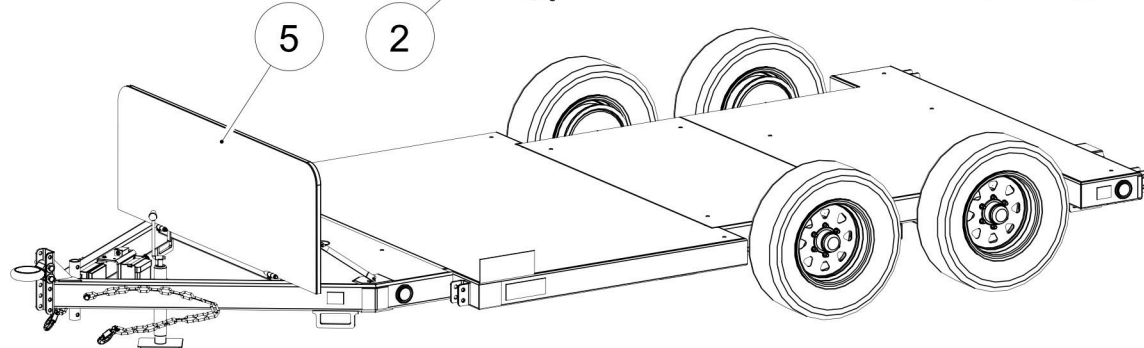
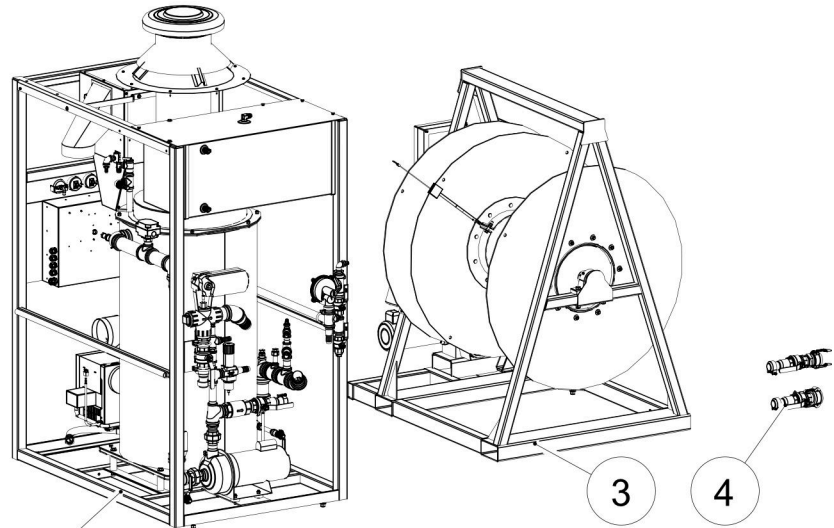
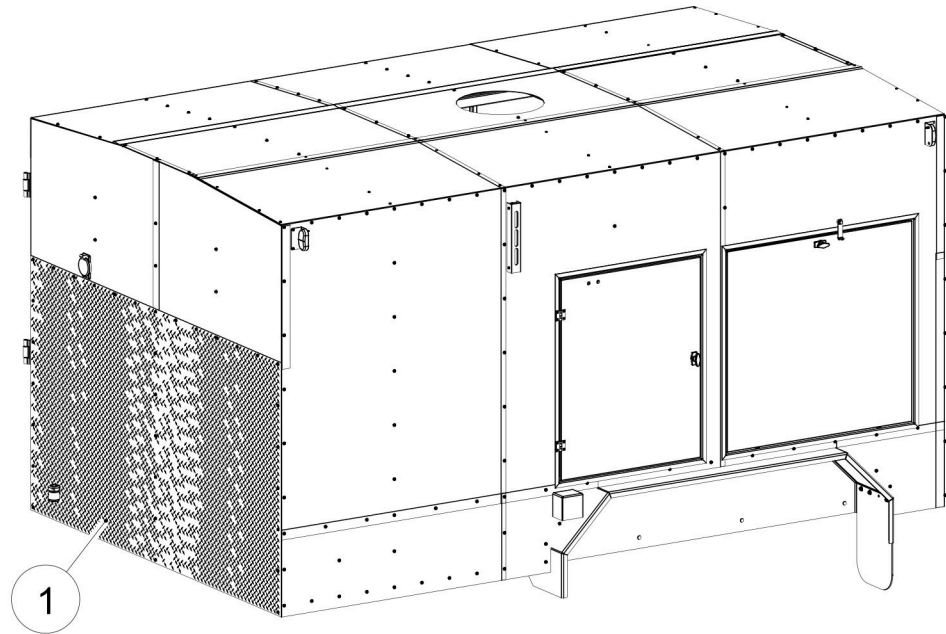
MANUFACTURED BY:	DRYAIR MANUFACTURING CORP.
IMPORTED BY:	UPS SUPPLY CHAIN SOLUTIONS
DATE OF MANUFACTURE:	
GVWR	5450 KG (12000 LB)
GAWR FRONT	2700KG (6,000 LB)
TIRES	ST225/75/R15 (D)
RIMS	T-15x6K
COLD TIRE INFL. SINGLE	448kPa (65 PSI)
GAWR REAR	2700KG (6,000 LB)
TIRES	ST225/75/R15 (D)
RIMS	T-15x6K
COLD TIRE INFL. SINGLE	448 kPa (65PSI)
THIS VEHICLE CONFORMS TO ALL APPLICABLE FEDERAL MOTOR VEHICLE SAFETY STANDARDS IN EFFECT ON THE DATE OF MANUFACTURE SHOWN ABOVE.	
VIN: 2DRUS829 S	
TYPE: TRAILER	

MANUFACTURED BY/FABRIQUÉ PAR:		DRYAIR MANUFACTURING CORP. ST. BRIEUX, SK CANADA S0K 3V0 (306) 275-4848	
DATE:			
GVWR/PNBV 5450KG			
GAWR/PNBE KG	TIRE/PNEU - DIMENSION - RIM/JANTE		COLD INFL. PRESS / PRESS. DE GONFL. À FROID PSI/LPC
1st	2700	ST225/75/R15 D	T-15 X 6K
2nd	2700	ST225/75/R15 D	T-15 X 6K
3rd			
V.I./N.I.V.: 2DRUS829 S			
TYPE OF VEHICLE/TYPE DE VÉHICULE: TRA/REM			



**Central Mobile Enclosure  
HCP Series  
Table of Contents**

Master Assembly .....	1.1.1
Enclosure Components .....	1.1.3
Enclosure Panels .....	1.1.5
Pump Side Door .....	1.1.7
Side Lift Out Door .....	1.1.9
Rear Door .....	1.1.11
Control Side Door .....	1.1.13
Ramp Door .....	1.1.15
Water Heater .....	2.1.1
Heat Exchanger Components .....	2.1.3
Heat Exchanger .....	2.1.5
Glycol Preheater .....	2.1.7
Control Panel .....	2.1.9
Air and Fuel Preheater .....	2.1.11
Pump Components .....	2.1.13
Diesel Burner .....	2.1.17
NG/PN Burner .....	2.1.19
Glycol Tank .....	2.1.21
Isolation Valve Assembly .....	2.1.23
Fuel Connections .....	2.1.25
Gas Train .....	2.1.27
Propane Regulator .....	2.1.29
Chimney .....	2.1.31
Hose Reel .....	3.1.1
Belt Drive .....	3.1.3
Spool .....	3.1.5
Control .....	3.1.7
Switch .....	3.1.9
Kamlocks .....	4.1.1
Trailer .....	5.1.1
Optional Manifolds .....	6.1.1
Hoses and Fuel Lines .....	7.1.1
Decals .....	8.1.1



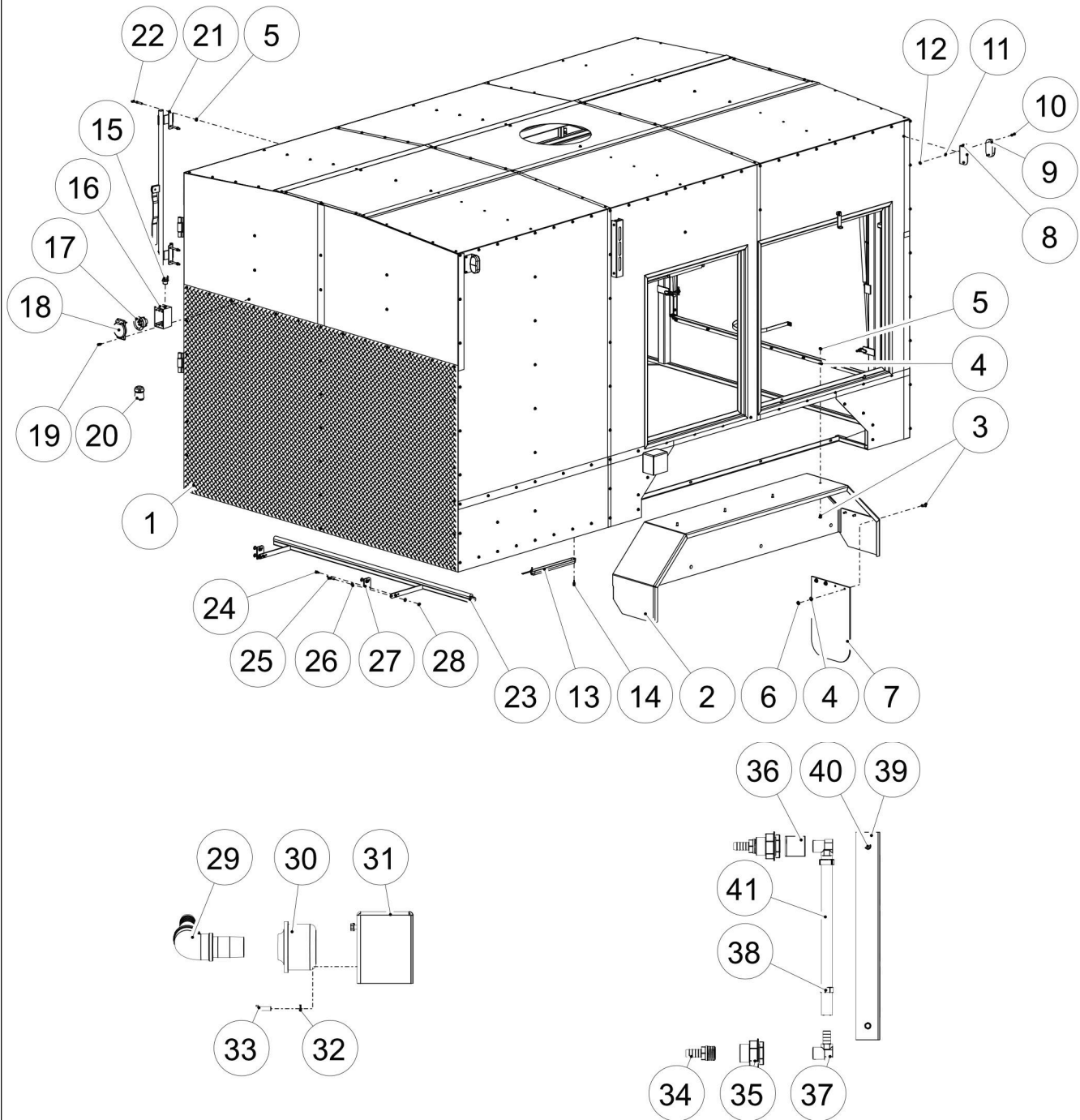




**Central Mobile Enclosure  
HCP Series  
Master Assembly**

S/N: 183701 -  
S/N: Current  
PAGE: 1.1.2

Item No.	Part No.	Description	Qty.
1		ENCLOSURE - see page 1.1.3	
2		HEAT EXCHANGER - see page 2.1.1	
3		HOSE REEL - see page 3.1.1	
4		KAMLOCKS - see page 4.1.1	
5		TRAILER - see page 5.1.1	

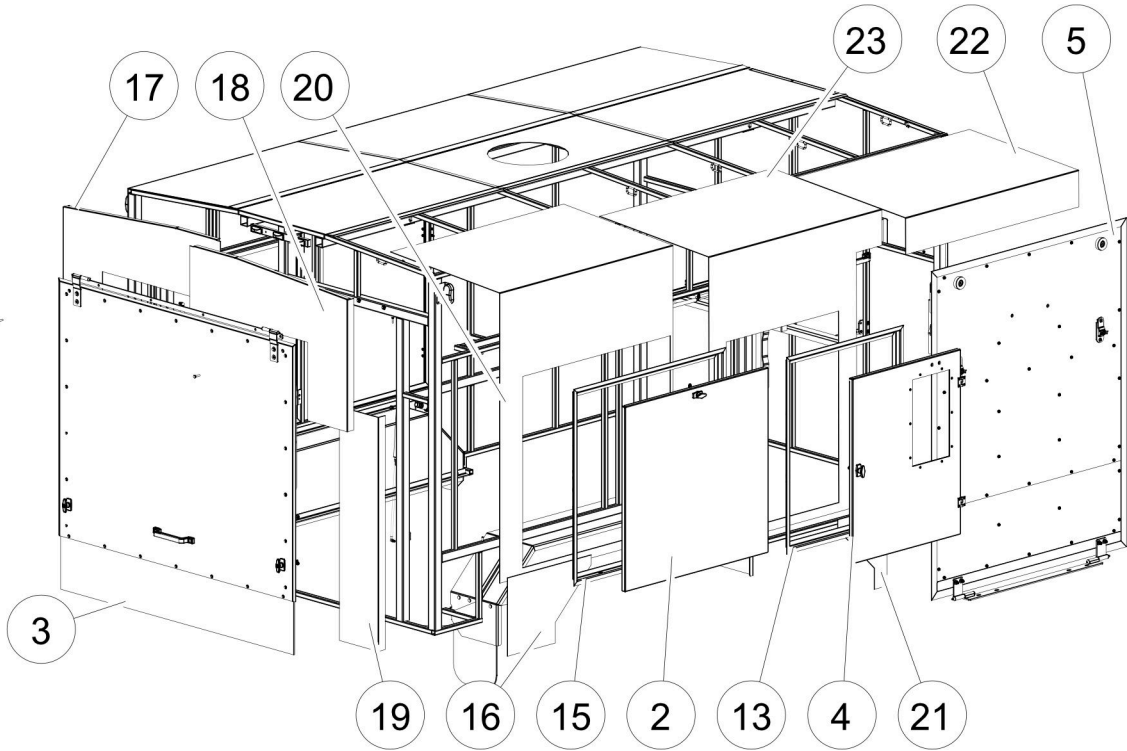
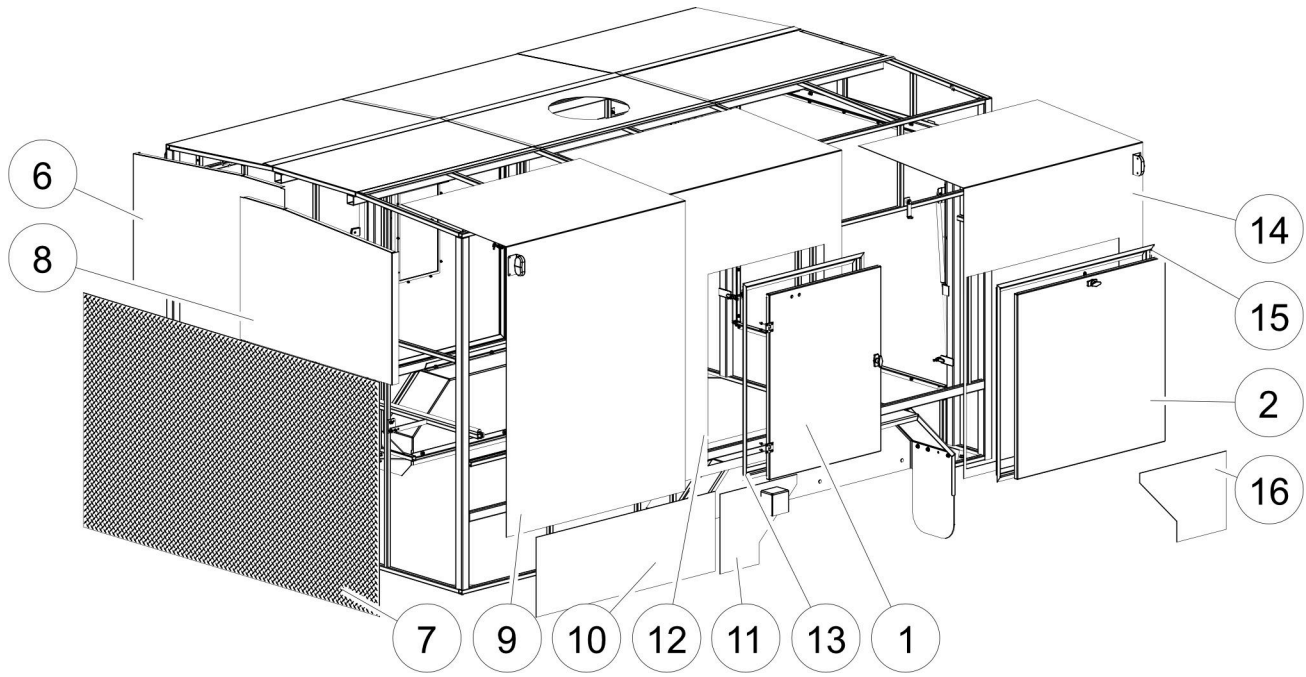




**Central Mobile Enclosure  
HCP Series  
Enclosure Components**

S/N: 183701 -  
S/N: Current  
PAGE: 1.1.4

Item No.	Part No.	Description	Qty.
1		PANELS - see page 1.1.5	
2	004-905520	ASSY TANDEM FENDER 900-HCP	2
3	001-703307	BOLT CRG 5/16X3/4 UNC PLD GR5	23
4	001-700742	WSHR FLT 5/16 PLD	38
5	001-700741	NUT LKG NYL 5/16 UNC PLD	45
6	001-703308	NUT FLG 5/16 UNC PLD	7
7	009-905524	MUD GD 12WX18L	2
8	004-905643	BRKT MRKR LIGHT 900-HCP	4
9	002-904862	LIGHT CLEARANCE RED SURF MT LED	4
10	001-703908	BOLT #10-24X3/4 UNC SS SHCS	16
11	001-703909	WSHR FLT #10 SS	16
12	001-703910	NUT LKG #10-24 SS UNC	16
13	002-900724	LIGHT BAR LED SLIMLITE COURTESY	3
14	001-704113	SCRW D/T #10X1-1/4 PAN HD/SQ SKT DR	6
15	002-700046	CONNECTOR STRN/RLF 3/4 .625-.750 CABLE RNG	1
16	002-704221	BOX ELEC 2-5/8IN WTHPRF DIE-CAST AL 3/4IN HUB	1
17	002-900758	RCTP FLANGED INLET TWIST LOCK 30A 125/250V	1
18	002-900759	CVR RCPT FLANGED INLET TWIST LOCK W/P	1
19	001-701762	SCRW MACH 6-32X1	4
20	002-701267	RCPT 1P4W 30A 125/250V F END TWLCK	1
21	017-901002	LATCH DOOR REAR RTS600	2
22	001-900994	BOLT CRG 5/16X3 UNC PLD	8
23	004-905563	ASSY BUMPER COIL FRONT 900-HCP	1
24	001-700739	BOLT 1/4X1 PLD GR5	2
25	001-700955	BOLT 1/4X2 PLD GR5	4
26	001-700129	WSHR FLT 1/4 PLD	8
27	004-905558	PLT COIL BUMPER PIVOT 900-HCP	2
28	001-700042	NUT LKG NYL 1/4 UNC PLD	6
29	018-903695	ASSY PLMB VENT 900FLEX	1
30	011-903570	STRAINER 1 NPT PVC GAS VENT	1
31	004-903704	COVER GAS VENT CW INSERTS	1
32	001-700934	WSHR LOCK 1/4 PLD	4
33	001-701482	BOLT 1/4X3/4 PLD GR5	4
34	011-702565	NIPL COMB 1/2NPTX1/2HB BRS	2
35	011-703047	FTG BHD CPLG BRS 1/2 FPT	2
36	004-900742	MNT BRKT SIGHT GLASS SHIELD 600GTS	2
37	011-704699	NIPL COMB 1/2NPTX1/2HB 90DEG BRS	2
38	001-702551	CLP 2-EAR #18SS - 3/8ID HOSE	2
39	004-902851	SIGHT GLASS SHLD GLY 900FLEX	1
40	001-700630	SCRW D/T 10-16X1/2 5/16HEX HD PLD	4
41	016-900748	TUBING CLEAR 1/2ID VINYL	1

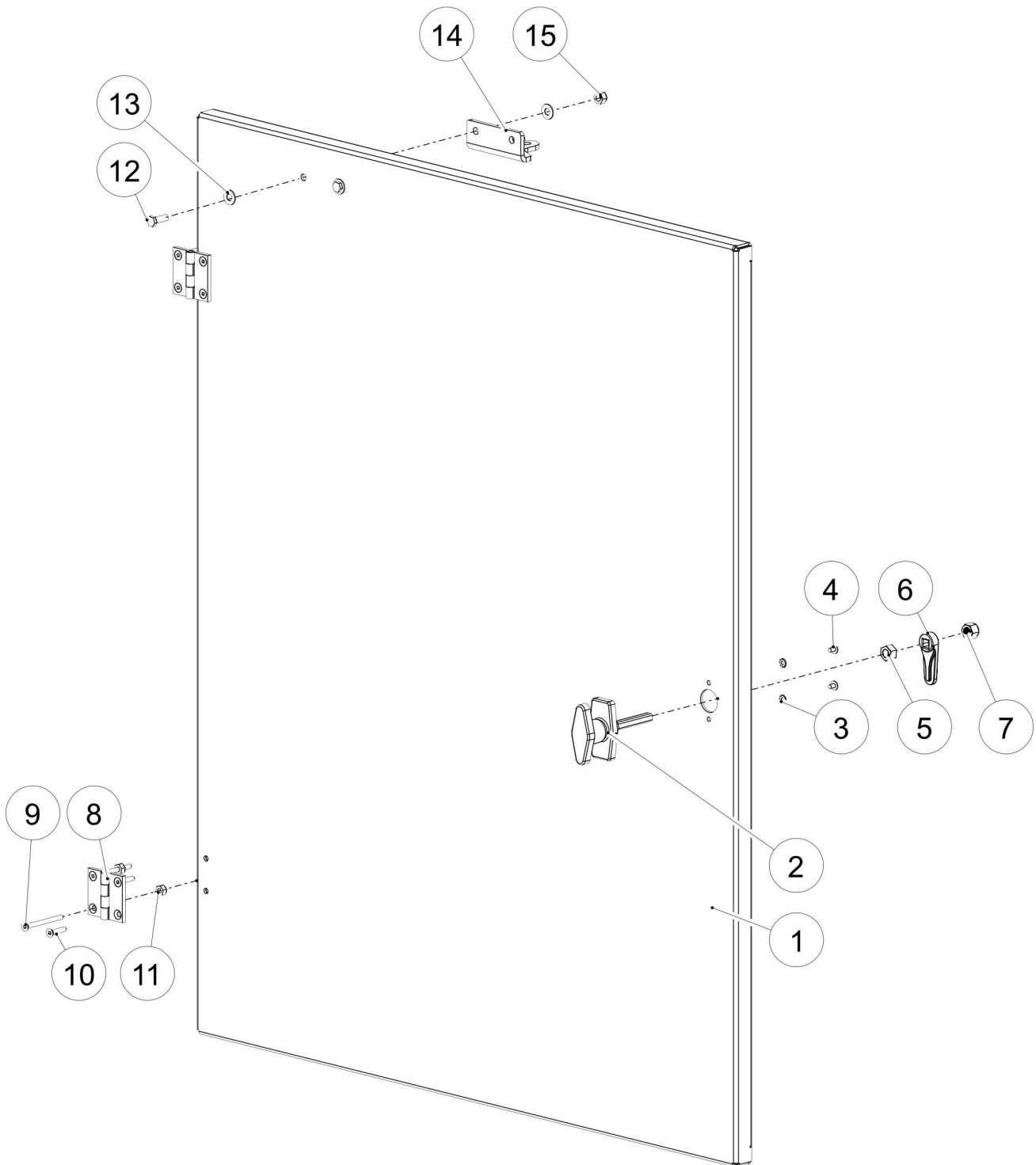




**Central Mobile Enclosure  
HCP Series  
Enclosure Panels**

S/N: 183701 -  
S/N: Current  
PAGE: 1.1.6

Item No.	Part No.	Description	Qty.
1		PUMP SIDE DOOR - see page 1.1.7	
2		SIDE LIFT OUT DOOR - see page 1.1.9	
3		REAR DOOR - see page 1.1.11	
4		CONTROL PANEL SIDE DOOR - see page 1.1.13	
5		RAMP DOOR - see page 1.1.15	
6	004-905758	PNL ENC FRT RH SIDE 900HCP	1
7	004-905823	CHECKERPLATE ALUMINUM 1/16X48X86IN	1
8	004-905759	PNL ENC FRT LH SIDE 900HCP	1
9	004-905754	PNL ENC SIDE L FRT 900HCP	1
10	004-905765	PNL ENC L SIDE FRT BTM 900HCP	1
11	004-905768	PNL ENC FENDER L SIDE FRT 900HCP	1
12	004-905753	PNL ENC SIDE L CNTR 900HCP	1
13	004-905526	ASSY FRAME DOOR 30X38	2
14	004-905752	PNL ENC SIDE L REAR 900HCP	1
15	004-905552	ASSY FRAME DOOR 38X39.75 900-HCP	2
16	004-905770	PNL ENC FENDER REAR 900HCP	2
17	004-905766	PNL ENC REAR TOP L SIDE 900HCP	1
18	004-905767	PNL ENC REAR TOP R SIDE 900HCP	1
19	004-905764	PNL ENC REAR CORNER 900HCP	1
20	004-905755	PNL ENC SIDE R REAR 900HCP	1
21	004-905769	PNL ENC FENDER R SIDE FRT 900HCP	1
22	004-905757	PNL ENC SIDE R FRT 900HCP	1
23	004-905756	PNL ENC SIDE R CNTR 900HCP	1







**Central Mobile Enclosure  
HCP Series  
Pump Side Door**

S/N: 183701 -  
S/N: Current  
PAGE: 1.1.8

Item No.	Part No.	Description	Qty.
	<b>018-905555</b>	<b>ASSY DOOR PUMP SIDE HCP ENC</b> (Includes 1-13)	<b>1</b>
	<b>018-905858</b>	<b>PKG HNDL T-LKG CHROME 2.5IN CH751 CW CAM &amp; NUT</b> (Includes 2-7 & Key)	<b>1</b>
1	004-905556	PNL DOOR 38X30	1
2	017-904514	HNDL T-LKG CHROME 2.5IN THRD SHAFT CH751 KEY	1
3	001-900778	WSHR STAR #8 STUD EXT TOOTH	2
4	001-900779	SCRW MACH 8-32X1/4 PANHEAD	2
5	001-704695	NUT 3/8-24 UNF	1
6	017-704694	LOCK CAM C15 ZINC	1
7	001-903811	NUT LKG NYL 3/8 UNF 24THRD GR5 PLD	1
8	017-900607	HINGE SURFACE-MT 316 SS POLISHED 2H X 2W	2
9	001-906024	SCRW MACH 10-24X2L FLAT HD SS SQ DR	4
10	001-906025	SCRW MACH 10-24X3/4L FLAT HD SS SQ DR	4
11	001-703910	NUT LKG #10-24 SS UNC	8
12	001-902418	BOLT 1/4X3/4 SS UNC	2
13	001-703921	WSHR FLT 1/4 SS	4
14	004-905530	BRKT GAS SPRING MNT	1
15	001-703922	NUT LKG 1/4 UNC SS	2
		The following components may not be shown	
	006-904755	KEY CH751 T-LKG HNDL CHROME 4IN	

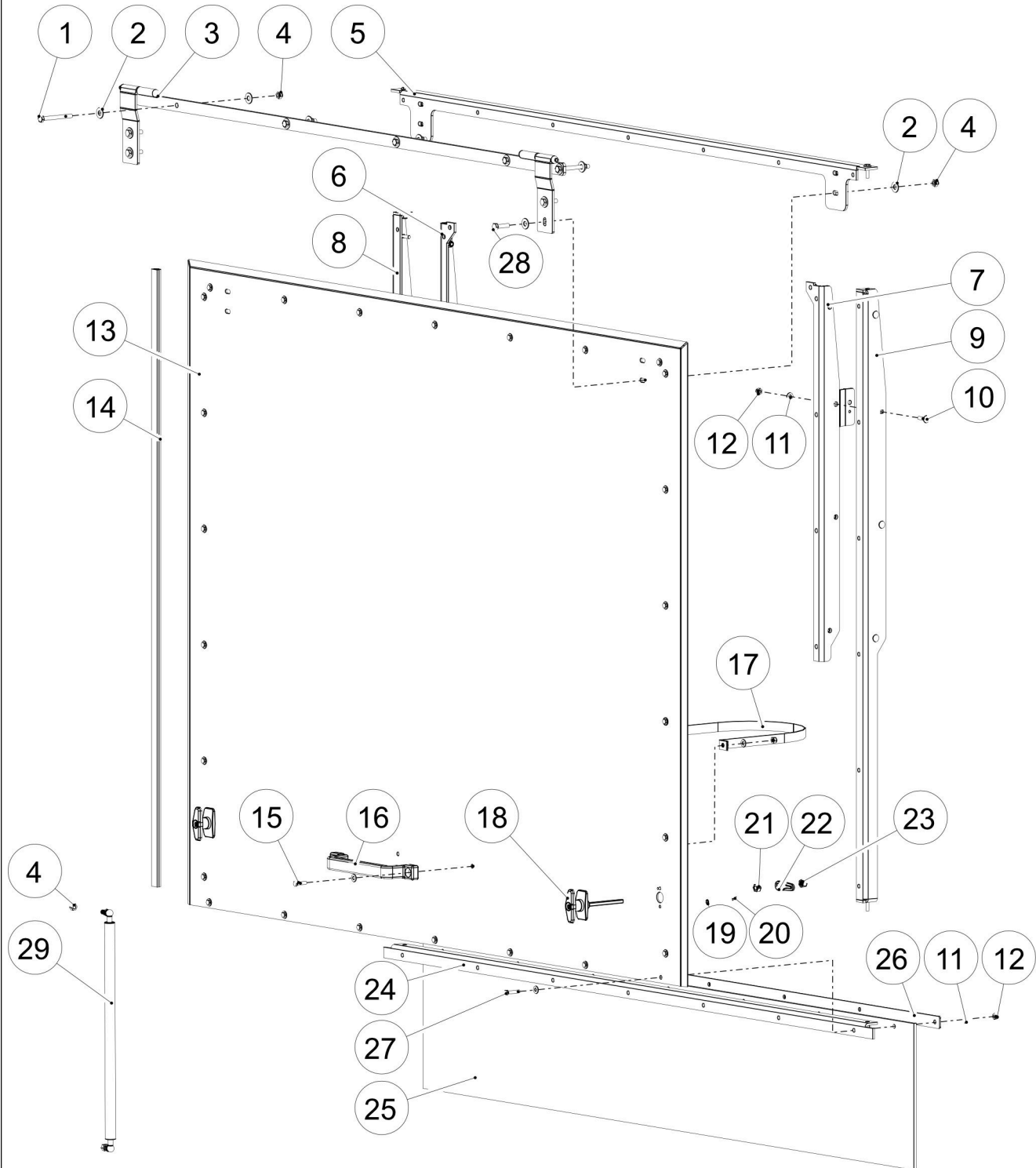




**Central Mobile Enclosure  
HCP Series  
Side Lift Out Door**

S/N: 183701 -  
S/N: Current  
PAGE: 1.1.10

Item No.	Part No.	Description	Qty.
	<b>018-905551</b>	<b>ASSY DOOR LIFT OUT SIDE 900-HCP</b> (Includes 1-7)	<b>2</b>
	<b>018-905858</b>	<b>PKG HNDL T-LKG CHROME 2.5IN CH751 CW CAM &amp; NUT</b> (Includes 2-7 & Key)	<b>2</b>
1	004-905554	PNL DOOR 38X39.75	1
2	017-904514	HNDL T-LKG CHROME 2.5IN THRD SHAFT CH751 KEY	1
3	001-900778	WSHR STAR #8 STUD EXT TOOTH	1
4	001-900779	SCRW MACH 8-32X1/4 PANHEAD	1
5	001-704695	NUT 3/8-24 UNF	1
6	017-704694	LOCK CAM C15 ZINC	1
7	001-903811	NUT LKG NYL 3/8 UNF 24THRD GR5 PLD	1
		The following components may not be shown	
	006-904755	KEY CH751 T-LKG HNDL CHROME 4IN	



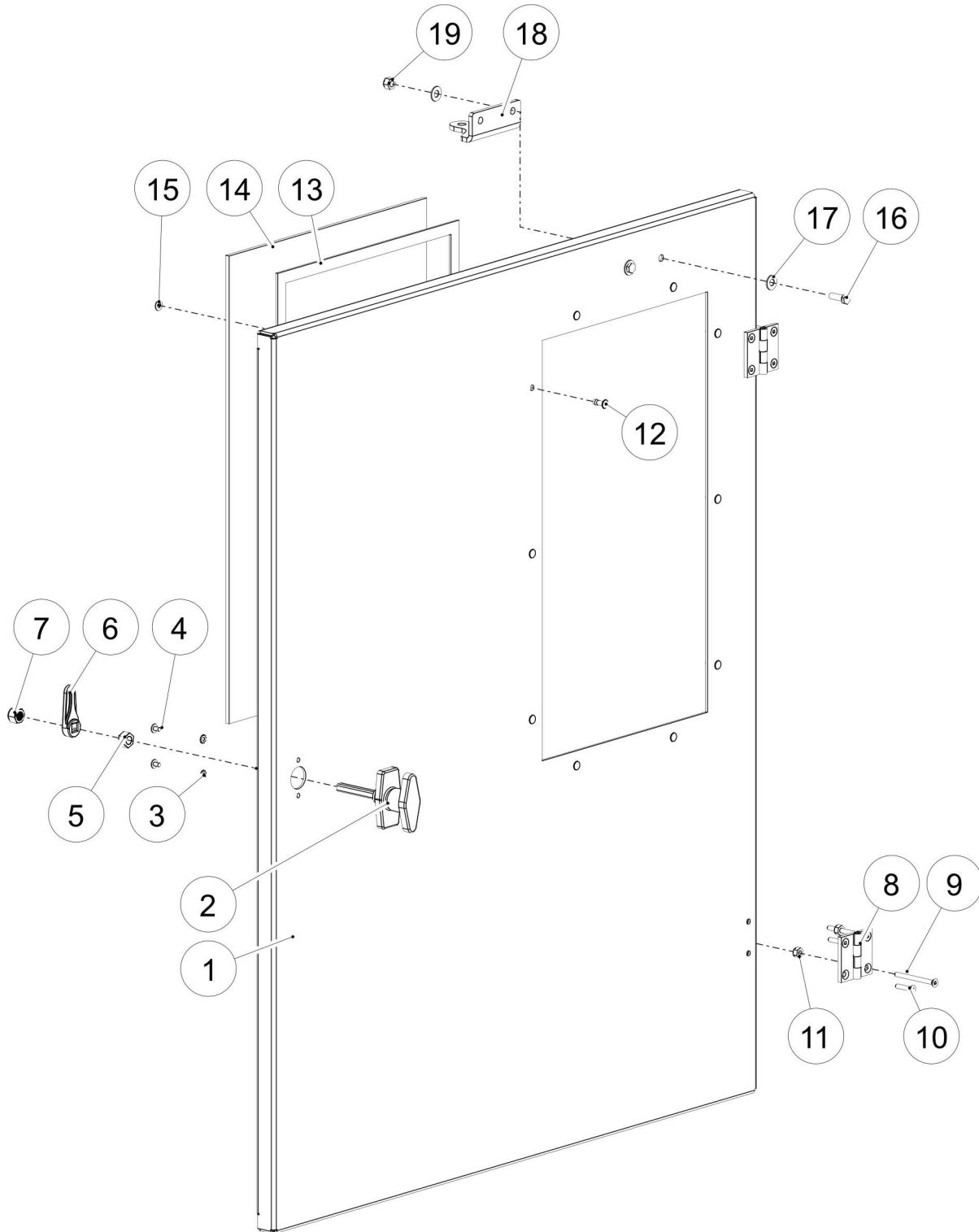
**Rear Door**



**Central Mobile Enclosure  
HCP Series  
Rear Door**

S/N: 183701 -  
S/N: Current  
PAGE: 1.1.12

Item No.	Part No.	Description	Qty.
	<b>018-904884</b>	<b>ASSY HOSE DOOR 650GTS</b> (Includes 5-12, 13A-27)	<b>1</b>
	<b>018-906042</b>	<b>ASSY HOSE DOOR GRN 650GTS</b> (Includes 5-12, 13B-27)	<b>1</b>
	<b>018-905859</b>	<b>PKG HNDL T-LKG CHROME 4IN CH751 CW CAM &amp; NUT</b> (Includes 18-23)	<b>2</b>
1	001-700884	BOLT 5/16X3 PLD GR5	6
2	001-700742	WSHR FLT 5/16 PLD	20
3	004-904895	ASSY HOSE DOOR HINGE 650GTS	1
4	001-700741	NUT LKG NYL 5/16 UNC PLD	12
5A	004-904888	ANG HOSE DOOR TOP 650GTS	1
5B	004-906051	ANG HOSE DOOR TOP GRN 650GTS	1
6A	004-905186	ANG TAB LEFT 650GTS HOSE DOOR	1
6B	004-906054	ANG TAB LEFT 650GTS HOSE DOOR GRN	1
7A	004-905187	ANG TAB RGHT 650GTS HOSE DOOR	1
7B	004-906053	ANG TAB RGHT 650GTS HOSE DOOR GRN	1
8A	004-904887	ANG HOSE DOOR RGHT 650GTS	1
8B	004-906050	ANG HOSE DOOR RGHT GRN 650GTS	1
9A	004-904886	ANG HOSE DOOR LEFT 650GTS	1
9B	004-906049	ANG HOSE DOOR LEFT GRN 650GTS	1
10	001-905190	BOLT CRG 1/4X1 SS	8
11	001-703921	WSHR FLT 1/4 SS	72
12	001-703922	NUT LKG 1/4 UNC SS	40
13A	004-904885	PNL HOSE DOOR 650GTS	1
13B	004-906048	PNL HOSE DOOR GRN 650GTS	1
14	009-904892	WEATHER STRIP D 3/4WX9/16H	3
15	001-902421	BOLT 1/4X1 SS UNC	16
16	017-704065	HNDL 9-7/8 RUBBER COATED	1
17	004-905261	STRAP WEB 3/4IN PPLN BLK 31L CW HOLES	1
18	017-903808	HNDL T-LKG CHROME 4IN THRD SHAFT CH751 KEY	2
19	001-900778	WSHR STAR #8 STUD EXT TOOTH	4
20	001-905244	SCRW MACH 8-32X3/8 PANHEAD PLD SOC-SLT COMB	4
21	001-704695	NUT 3/8-24 UNF	2
22	017-704694	LOCK CAM C15 ZINC	2
23	001-903811	NUT LKG NYL 3/8 UNF 24THRD GR5 PLD	2
24A	004-904889	ANG HOSE DOOR BTM 650GTS	1
24B	004-906052	ANG HOSE DOOR BTM GRN 650GTS	1
25	004-904890	SHT NPRN 12X65-1/4L 1/4 THK	1
26	004-905188	BAR FLAT 1/8X1 61-1/4L CW HOLES	1
27	001-905189	BOLT 1/4X1-1/4 SS UNC	7
28	001-700959	BOLT 5/16X1-1/4 PLD GR5	4
29	017-904883	SPRING GAS SHOCK 35.43 INCH EXT.100LB	2
		The following components may not be shown	
	006-904755	KEY CH751 T-LKG HNDL CHROME 4IN	



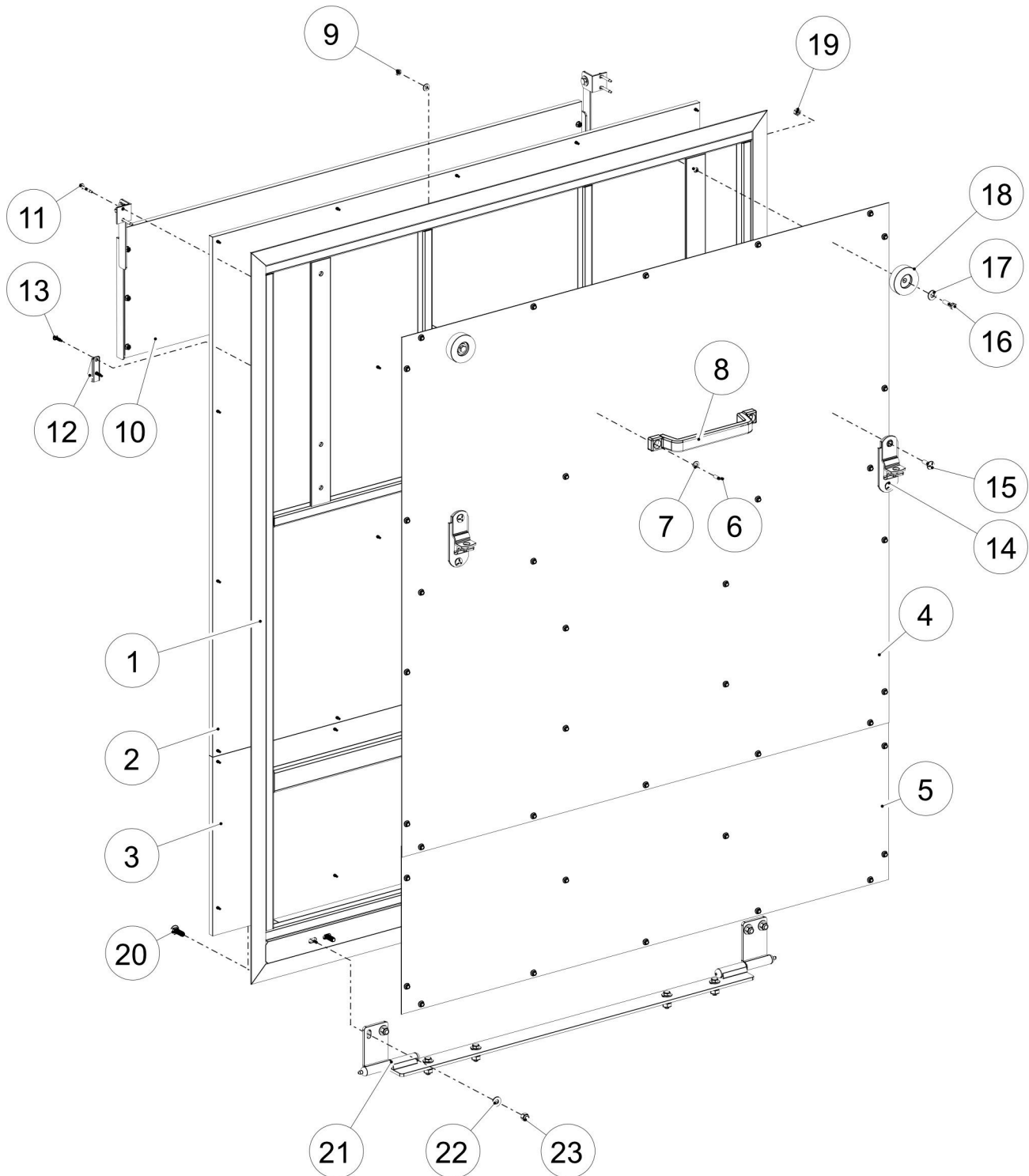




**Central Mobile Enclosure  
HCP Series  
Control Side Door**

S/N: 183701 -  
S/N: Current  
PAGE: 1.1.14

Item No.	Part No.	Description	Qty.
	<b>018-905525</b>	<b>ASSY DOOR CTRL SIDE 900-HCP ENC</b> (Includes 1-19)	<b>1</b>
	<b>018-905858</b>	<b>PKG HNDL T-LKG CHROME 2.5IN CH751 CW CAM &amp; NUT</b> (Includes 2-7 & Key)	<b>1</b>
1	004-905529	PNL DOOR 38X30 CW 10.25X17 WINDOW	1
2	017-904514	HNDL T-LKG CHROME 2.5IN THRD SHAFT CH751 KEY	1
3	001-900778	WSHR STAR #8 STUD EXT TOOTH	2
4	001-900779	SCRW MACH 8-32X1/4 PANHEAD	2
5	001-704695	NUT 3/8-24 UNF	1
6	017-704694	LOCK CAM C15 ZINC	1
7	001-903811	NUT LKG NYL 3/8 UNF 24THRD GR5 PLD	1
8	017-900607	HINGE SURFACE-MT 316 SS POLISHED 2H X 2W	2
9	001-906024	SCRW MACH 10-24X2L FLAT HD SS SQ DR	4
10	001-906025	SCRW MACH 10-24X3/4L FLAT HD SS SQ DR	4
11	001-703910	NUT LKG #10-24 SS UNC	8
12	001-901250	RIVET 3/16D X 1/2GRP ALUM	10
13	009-703960	TAPE 3M VHB-5925 2-SIDED 1/2W	
14	004-904871	WINDOW POLY CARB 19.75X12.25	1
15	001-703909	WSHR FLT #10 SS	10
16	001-902418	BOLT 1/4X3/4 SS UNC	2
17	001-703921	WSHR FLT 1/4 SS	4
18	004-905530	BRKT GAS SPRING MNT	1
19	001-703922	NUT LKG 1/4 UNC SS	2
		The following components may not be shown	
	006-904755	KEY CH751 T-LKG HNDL CHROME 4IN	



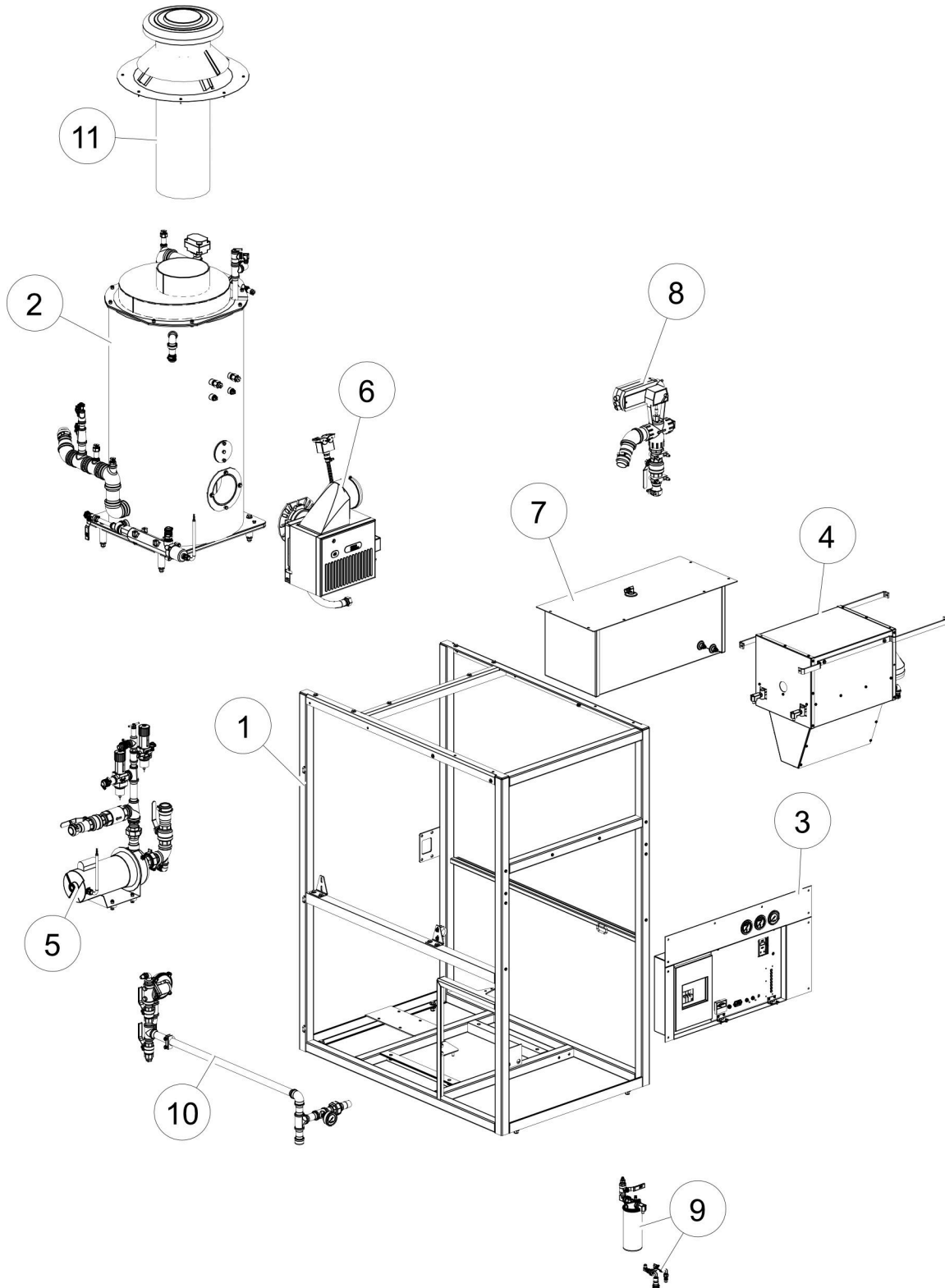
**Ramp Door**



**Central Mobile Enclosure  
HCP Series  
Ramp Door**

S/N: 183701 -  
S/N: Current  
PAGE: 1.1.16

Item No.	Part No.	Description	Qty.
	<b>018-905570</b>	<b>ASSY RAMP DOOR 900-HCP</b> (Includes 1-23)	<b>1</b>
1	004-905582	FRAME RAMP DOOR 900-HCP	1
2	004-905605	PLYWOOD 1/2X48X51 G1S	1
3	004-905606	PLYWOOD 1/2X16-1/2X25-1/2 G1S	2
4	004-905603	PNL ALUM WHITE 51X48X.040	1
5	004-905604	PNL ALUM WHITE 51X15-1/2X.040	1
6	001-902421	BOLT 1/4X1 SS UNC	2
7	001-703921	WSHR FLT 1/4 SS	4
8	017-704065	HNDL 9-7/8 RUBBER COATED	1
9	001-703922	NUT LKG 1/4 UNC SS	2
10	018-905810	ASSY FLAP 900-HCP RAMP DOOR	1
11	001-700949	SCRW D/T 1/4-14X1-1/2 3/8HEX HD	4
12	004-900874	BRKT DOOR ASSIST CABLE GREENDRY	2
13	001-900735	SCRW DK 10-24X1 WFR	4
14	017-901001	LOCK REAR DOOR RTS600 (COMES WITH 017-901002)	2
15	001-701773	BOLT CRG 5/16X1	4
16	001-700959	BOLT 5/16X1-1/4 PLD GR5	2
17	001-700742	WSHR FLT 5/16 PLD	2
18	009-905585	BUMPER ROUND 2-1/2X1H	2
19	001-700741	NUT LKG NYL 5/16 UNC PLD	6
20	001-905586	BOLT CRG 3/8X1-1/4 UNC PLD	4
21	004-905571	ASSY HINGE RAMP DOOR 900-HCP	1
22	001-700719	WSHR FLT 3/8 PLD	4
23	001-700721	NUT LKG NYL 3/8 UNC PLD	4
		The following components may not be shown	
	001-702054	LOCK	1

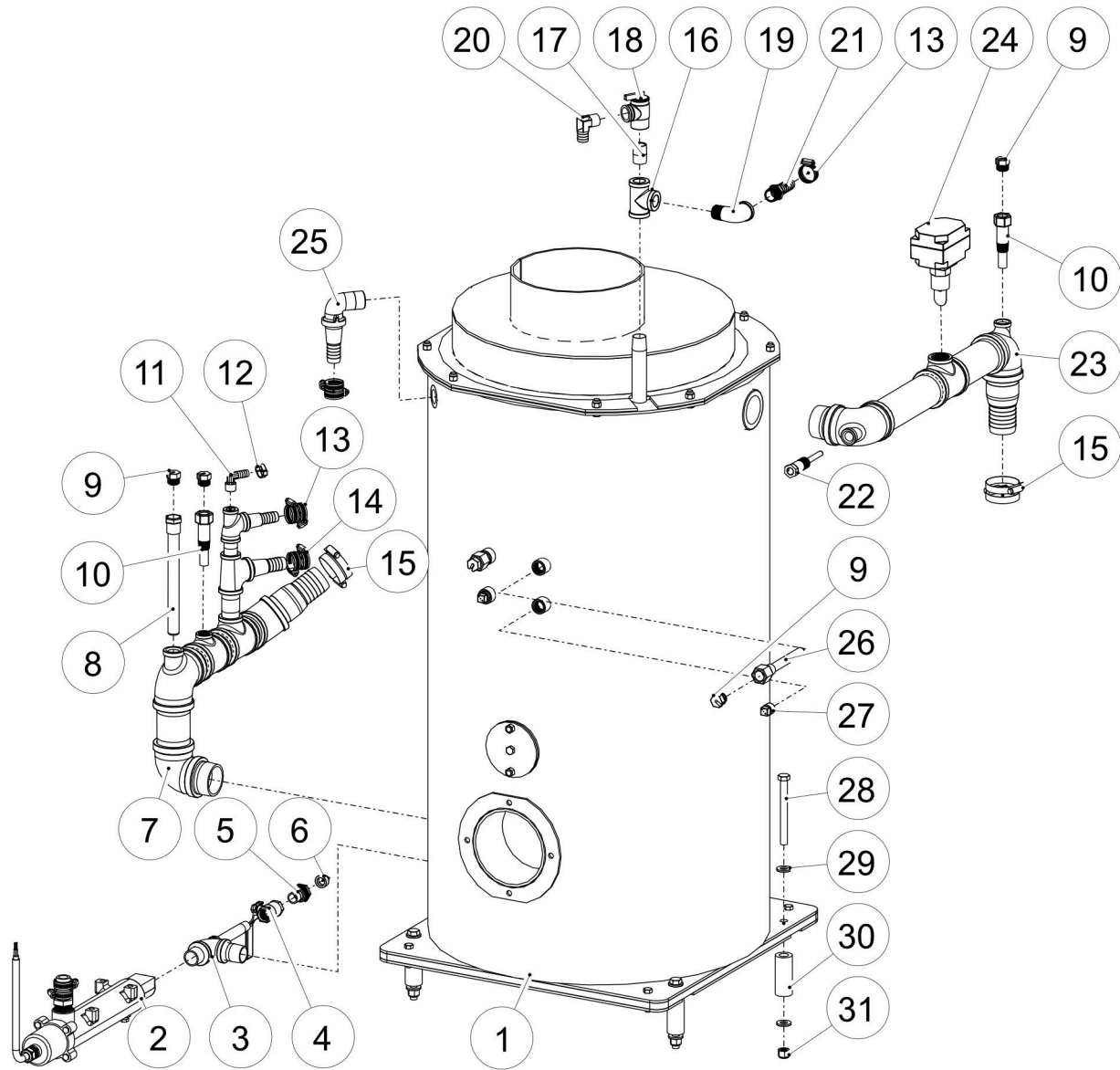




**Central Mobile Enclosure  
HCP Series  
Water Heater**

S/N: 183701 -  
S/N: Current  
PAGE: 2.1.2

Item No.	Part No.	Description	Qty.
1	004-905338	FRAME WTR HTR 900-HCP	1
2		HEAT EXCHANGER - see page 2.1.3	
3		CONTROL PANEL - see page 2.1.9	
4		AIR-FUEL PRE-HEATER - see page 2.1.11	
5		PUMP - see page 2.1.13	
6		BURNER - see page 2.1.17	
7		GLYCOL TANK - see page 2.1.21	
8		ISOLATION VALVE PLUMBING - see page 2.1.23	
9		FUEL CONNECTIONS - see page 2.1.25	
10		GAS TRAIN - see page 2.1.29	
11		CHIMNEY - see page 2.1.27	



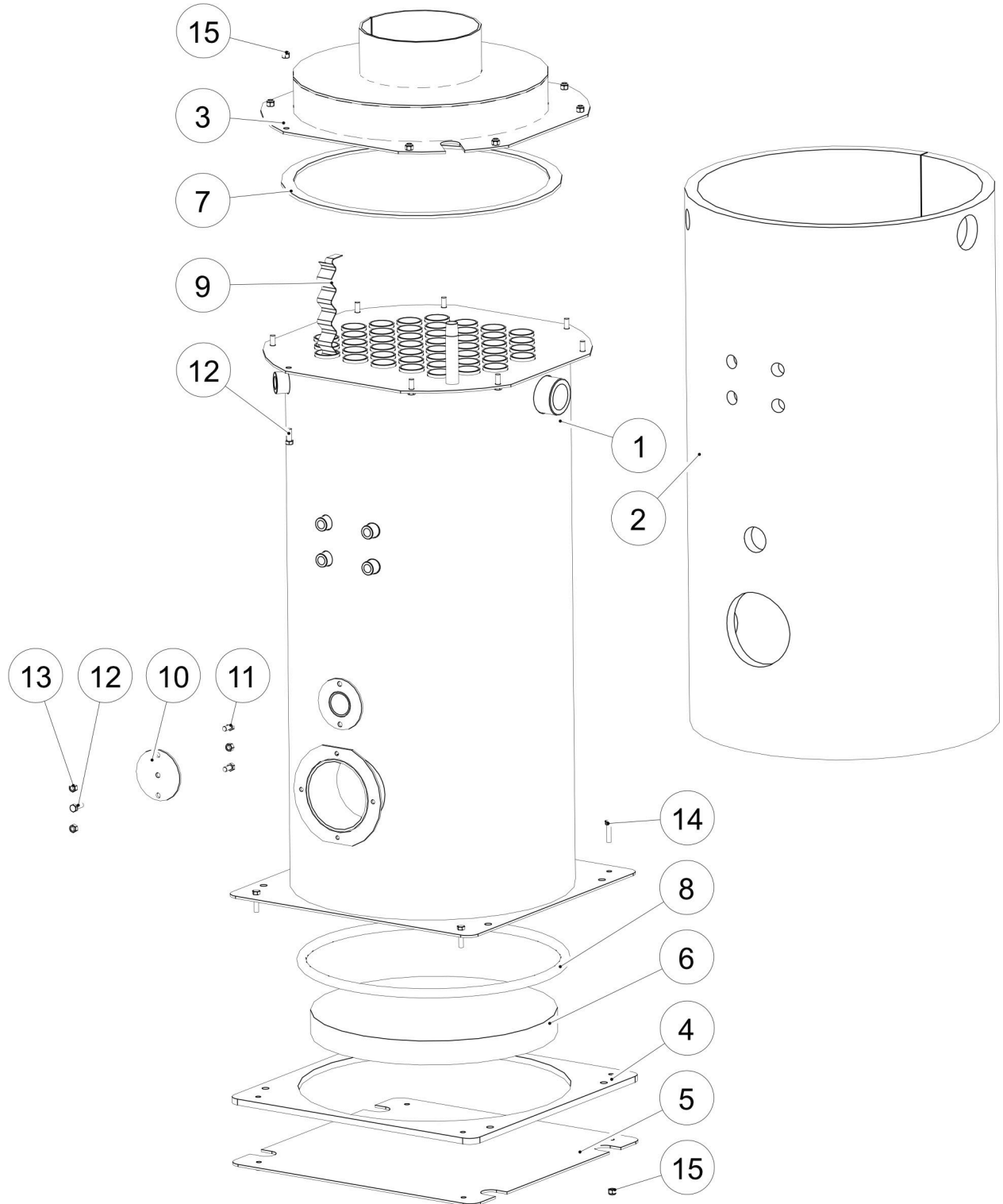




**Central Mobile Enclosure  
HCP Series  
Heat Exchanger Components**

S/N: 183701 -  
S/N: Current  
PAGE: 2.1.4

Item No.	Part No.	Description	Qty.
1		HEAT EXCHANGER - see page 2.1.5	
2		GLYCOL PREHEATER - see page 2.1.7	
3	018-904991	PKG PLMB CIRC HTR 650GTS	1
4	011-700115	VLV BALL 1/2 400WOG STD BRS CGA NPTF	1
5	011-700404	CPLR FEM GARD THD 1/2XSWVL NPTM	1
6	011-704470	PLUG GARDEN HOSE MALE BRS	1
7	018-905343	PKG PLMB RETURN 900-HCP	1
8	005-700204	WELL F/AVTA/B 3/4 BRS BULB	1
9	005-702757	NUT SPLIT WELLCAP 3/4FINE THREAD	5
10	005-900590	WELL THERM BRS 4 IN .385BORE 1/2MPT 1-5/8INSER	2
11	011-704699	NIPL COMB 1/2NPTX1/2HB 90DEG BRS	1
12	001-702552	CLP 2-EAR #22SS - 1/2ID HOSE	1
13	001-701890	CLP HOSE 1-1/4 SIZE 12	3
14	001-700275	CLP HOSE HAS16 SLTD HEX HD SS	6
15	001-700337	CLP HOSE HS32 2-1/2 SLTD HEX HD SS	4
16	011-703902	TEE 3/4 BRS	1
17	011-703102	NIPL 3/4X1(CL) BRS NPT	1
18	006-700879	VLV SAFETY PRESS RLF 60PSI 3/4X3/4	1
19	011-702414	ELB ST 3/4X90DEG BRS NPT	1
20	011-704084	NIPL COMB 3/4NPTX3/4HB 90DEG BRS	1
21	011-702701	NIPL COMB 3/4NPTX3/4HB BRS	1
22	005-704272	WELL THERM BULB ASSY 1/2IN NPT	1
23	018-905344	PKG PLMB SUPPLY 900-HCP	1
24	005-904258	SWITCH FLOW F261KAH-V01C 1NPT	1
25	018-702542	PKG PLMB CRCLT HTR OUTLET MOD 2100	1
26	005-702593	WELL THERM BRS 6-1/4IN .385 BORE 1/2IN NPT	2
27	011-702702	PLUG BRS 1/2 NPT SQ HD	2
28	001-901105	BOLT 1/2X5 GR8 UNC PLD	4
29	001-700100	WSHR FLT 1/2 PLT PLD	8
30	004-904256	DOM 1-1/4ODX11/16ID 3L PNTD BLK	4
31	001-701606	NUT LKG NYL 1/2 UNC PLD	4

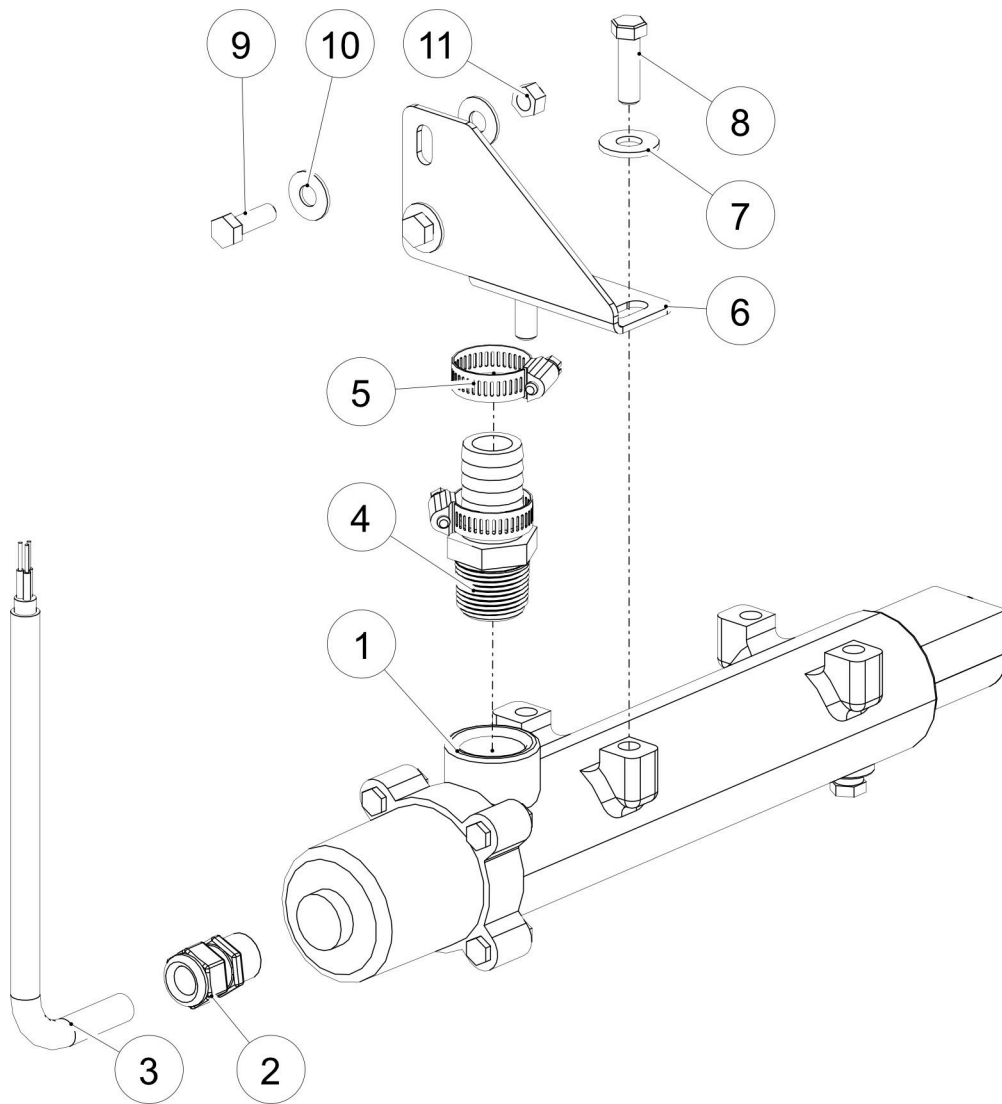




**Central Mobile Enclosure  
HCP Series  
Heat Exchanger**

S/N: 183701 -  
S/N: Current  
PAGE: 2.1.6

Item No.	Part No.	Description	Qty.
	<b>004-702440</b>	<b>HEAT EXCHANGER FUEL-TO-GLY MOD 2100-0900</b> (Includes 1, 3A-15)	<b>1</b>
	<b>004-905827</b>	<b>HEAT EXCHANGER FUEL-TO-GLY 900-HCP</b> (Includes 1, 3B-15)	<b>1</b>
1	004-704334	HEAT EXCHANGER 900	1
2	004-904382	INSUL WRAP 2100-0900 HEAT EXCHANGER	1
3A	004-704335	COV TOP 900 HEAT EXCHANGER (SN 183701 - 183710)	1
3B	004-905825	COV TOP 900HCP HEAT EXCHANGER (After SN 183710)	1
4	004-704338	PC 1/2 A36 SPCR BOTTOM HEAT EXCHANGER	1
5	004-704339	PC 3/16 A36 COV BOTTOM HEAT EXCHANGER	1
6	021-704341	INSUL HEAT RESIST 19-7/8IN OD 2IN THK	1
7	021-704342 015-903693	GSKT HEAT RESIST 1/4x1 CLKG STV/GSKT CEMENT (2000 DEG F) (Recommended with above)	6FT
8	021-704343 015-903693	GSKT HEAT RESIST 3/4IN DIA CLKG STV/GSKT CEMENT (2000 DEG F) (Recommended with above)	6FT
9	004-905094	BAFFLE 16GA A569 2100 LONG HEAT EXCHANGER	46
10	004-704337 010-702802	ASSY INSP COV HEAT EXCHANGER GSKT DURLON 4-1/4INB DIA (Recommended with above)	1
11	001-700434	BOLT 3/8X3/4 PLD GR5	2
12	001-700804	BOLT 3/8X1 PLD GR5	9
13	001-700890	NUT 3/8 PLD	2
14	001-700720	BOLT 3/8X1-1/2 PLD GR5	4
15	001-700721	NUT LKG NYL 3/8 UNC PLD	12
		The following components may not be shown	
	001-702508	TAPE FSK 3IN X 150FT	8 IN

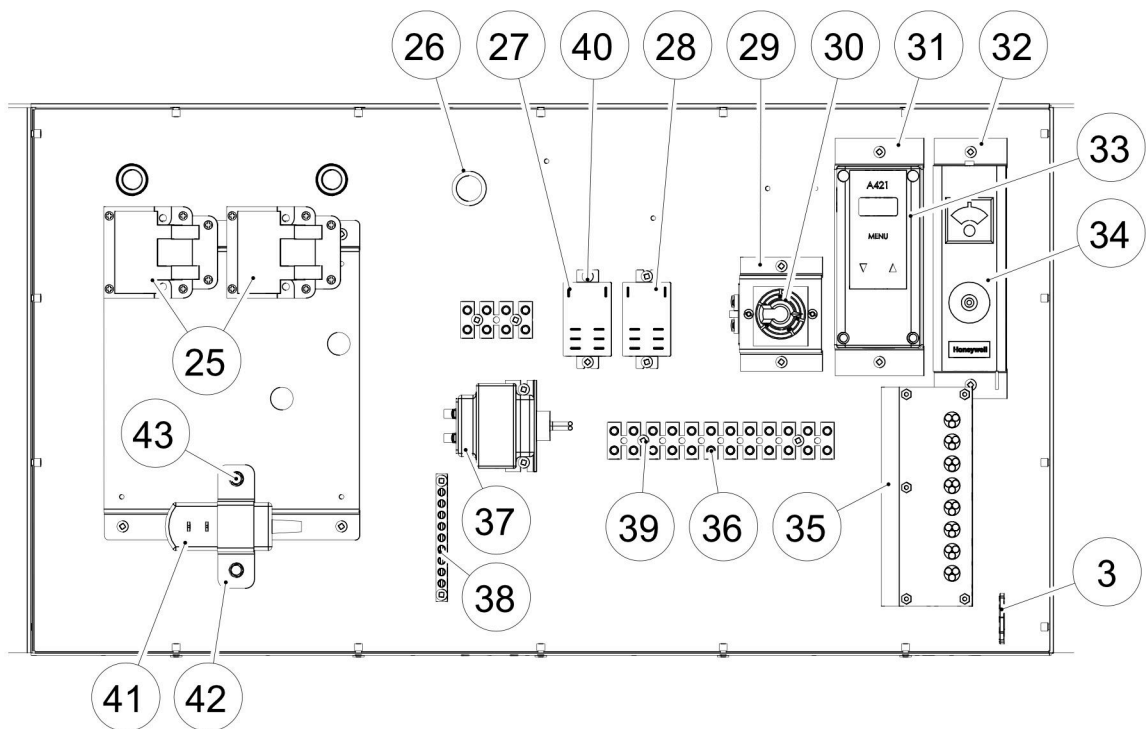
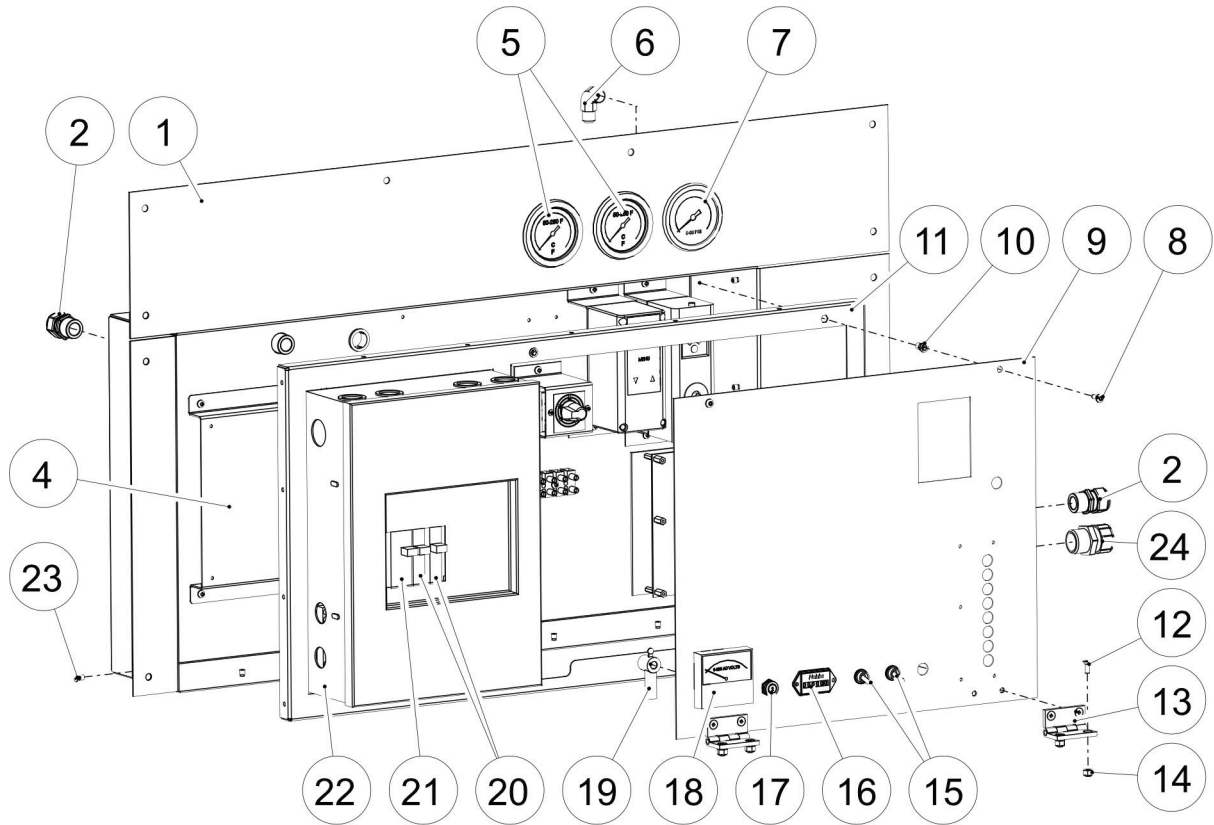




**Central Mobile Enclosure  
HCP Series  
Glycol Preheater**

S/N: 183701 -  
S/N: Current  
PAGE: 2.1.8

Item No.	Part No.	Description	Qty.
1	012-702513	HEATER CRCLT 4000W 240V	1
2	002-704262	CONN STRN/RLF 1/2 .24-.47 CE/CSA	1
3	002-702644	CABLE SJTOW 14/3 300V CSA	7 FT
4	011-702153	NIPL COMB 1*1 BRS ADPTR	1
5	001-700275	CLP HOSE HAS16 SLTD HEX HD SS	2
6	004-904918	BRKT GLY PRHTR SPRT 650GTS	1
7	001-700719	WSHR FLT 3/8 PLD	2
8	001-700960	BOLT 3/8X1-1/4 PLD GR5	2
9	001-700743	BOLT 5/16X1 PLD GR5	2
10	001-700742	WSHR FLT 5/16 PLD	4
11	001-700741	NUT LKG NYL 5/16 UNC PLD	2
		The following components may not be shown	
	006-702894	ELEMENT CRCLT HTR 4000W 240V	1





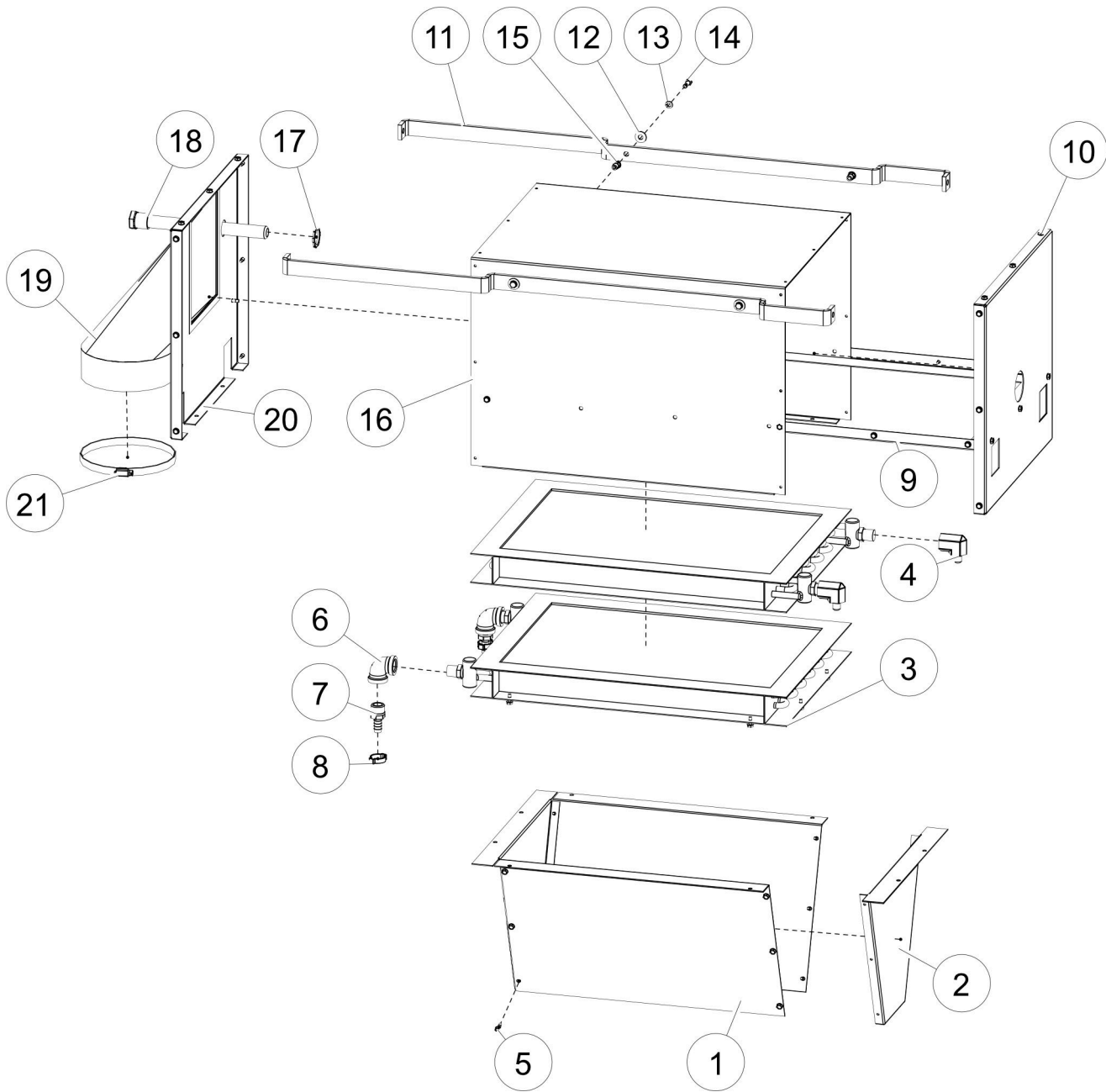


**Central Mobile Enclosure  
HCP Series  
Control Panel**

S/N: 183701 -  
S/N: Current  
PAGE: 2.1.10

Item No.	Part No.	Description	Qty.
1	004-904977	BOX ELEC ENC 650GTS	1
2	002-704262	CONN STRN/RLF 1/2 .24-.47 CE/CSA	6
3	002-701133	LOCKNUT 3/4 STL CONDUIT	1
4	004-904974	BRKT RISER PNL BOX 1IN	1
5	005-701073	GAUGE TEMP 60IN CPLRY 40-240DEG F WIKA	2
6	011-902115	ADPTR 90ELB #6JICX1/4 FPT STL	1
7	005-703489	GAUGE PRESS 0-60PSI PNL 2-1/2IN WIKA	1
8	001-704515	SCRW MACH 10-24X1/2 SS UNC BTN HD 1/8HEX DR	2
9	004-904975	PNL CVR CTRL PNL 650GTS	1
10	001-703564	INSERT THD 10-24 HEX BODY	2
11	004-904976	PNL WINDOW ELEC ENC 650GTS	1
12	001-904283	SCRW MACH 10-24X1/2L FLAT HD ZNC SQ DR	8
13	017-900607	HINGE SURFACE-MT 316 SS POLISHED 2H X 2W	2
14	001-700805	NUT LKG 10-24 PLD	8
15	002-703616	SWITCH TGL SPST 20A 125V 1/4 SPADE TERM	2
16	002-703051	METER HOUR 120VAC RECT 2-SCRW	1
17	002-903711	BRKR CIR 2A SP PUSH TO RESET	1
18	005-702512 006-703482	GAUGE VOLT PNL 0-300V Resistor RCD K3-261 10W 27 KJ	1
19	002-905284	INSULATOR TERM EYELET	3
20	002-800040	BRKR PLUG-ON 15A SP	2
21	002-800066	BRKR PLUG-ON 15A 2P	1
22	002-800029	BOX PNL Q06121L100TS SQ-D	1
23	001-901203	RIVET 5/32 GRP .126 -.250 SS	13
24	002-700046	CONNECTOR STRN/RLF 3/4 .625-.750 CABLE RNG	1
25	002-800038	RELAY 120V DPDT 30A/240V	2
26	002-701115	BSHG KO 1/2	7
27	002-901417	RELAY 120V DPDT FINDER 66.82	1
28	002-900394	RELAY 24V DPDT 7500VAC NO 2500VAC NC	1
29	004-904281	BRKT HI-LIMIT (RANCO)	1
30A	006-701532	HI-LIMIT G1-11452 (1223)	1
30B	006-904930	KNOB HI LIMIT PLASTIC 1-1/4 HEAD 8-32 SET SCREW	1
31	004-904280	BRKT RISER A421 CNTRL 200GTS	1
32	004-904973	BRKT RISER HI LIMIT 1-15/16 INCH	1
33	005-903333 018-903385	CONT TEMP A421ABC-02C -40 TO 212F If replacing CONT TEMP A419 use PartNo. 018-903385 (A419 obsolete)	1
34	006-702140	CNTRL HI LIMIT MAN RESET	1
35	005-702514	BOARD LED 6GRN-110V 2RED-24V	1
36	002-903908	TERM STRIP 12POLE .531IN SEP 50A	2
37	006-701213	XFMR 40VA 120V 60HZ 24V CLASS 2	1
38	002-900417	BAR GND 9-TERM W-NUTS	1
39	001-704571	SCRW SH MET #8x1 PAN HD SQ SS	6
40	001-702775	SCRW SH MET #8X1/2 PAN HD	14
41	002-903025	XFMR 120VAC/12VDC 2000MA	1
42	004-906027	BRKT MNT 12VDC XFMR FLUSH-MNT 1-15/16 L	1
43	001-700629	SCRW D/T 10-16X3/4 5/16HEX HD PLD	6
		The following components may not be shown	
	005-906611	SNSR TEMP JOHNSON A99BB-200C 6-1/2FT LENGHT	1

**Control Panel**

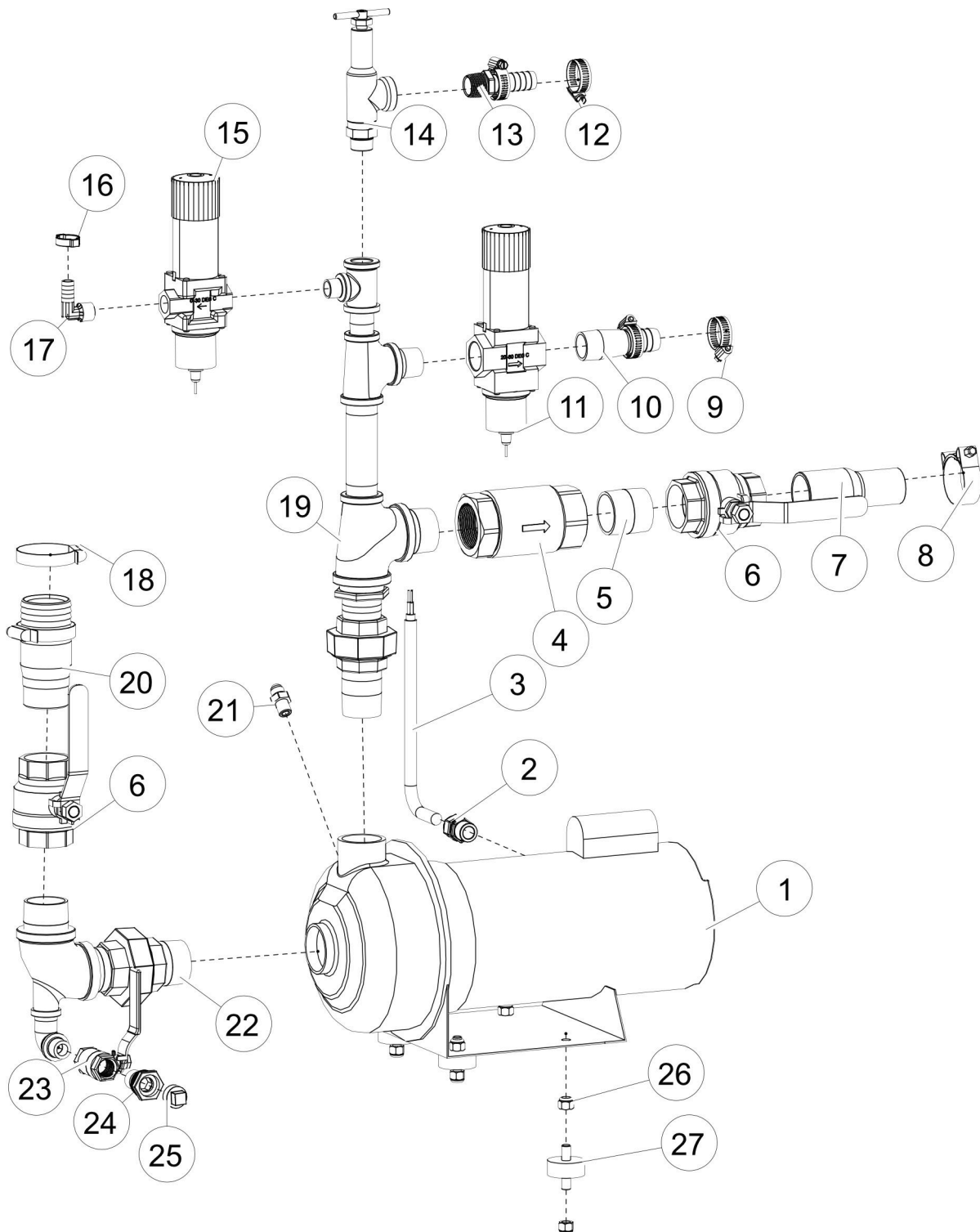




**Central Mobile Enclosure  
HCP Series  
Air and Fuel Preheater**

S/N: 183701 -  
S/N: Current  
PAGE: 2.1.12

Item No.	Part No.	Description	Qty.
1	004-904967	PNL DUCT LWR AIR-FUEL PRE-HTR 650GTS	2
2	004-904971	PNL END LWR AIR-FUEL PRE-HTR 650GTS	2
3	012-702504	COIL AIR PREHEAT 12X18X2 ROW-8 FPI 1/2IN MPT	2
4	011-901442	ELB #6JICX1/2NPTF	2
5	001-700630	SCRW D/T 10-16X1/2 5/16HEX HD PLD	51
6	011-702608	ELB 1/2X90DEG BRS NPTF	2
7	011-702565	NIPL COMB 1/2NPTX1/2HB BRS	2
8	001-702552	CLP 2-EAR #22SS - 1/2ID HOSE	2
9	004-904271	PNL WINDOW AIR-FUEL PRE-HTR 200GTS	1
10	004-905441	PNL DUCT END AIR-FUEL PRE-HTR 900-HCP	1
11	004-904972	SPRT AIR-FUEL PRE-HTR 650GTS	2
12	001-700129	WSHR FLT 1/4 PLD	4
13	001-700934	WSHR LOCK 1/4 PLD	4
14	001-701482	BOLT 1/4X3/4 PLD GR5	4
15	001-703896	INSERT THD 1/4 UNC HEX BODY	4
16	004-904968	BODY AIR-FUEL PRE-HTR 650GTS	1
17	002-701133	LOCKNUT 3/4 STL CONDUIT	1
18	005-700204	WELL F/AVTA/B 3/4 BRS BULB	1
19	004-702520	DUCT TOP TAKE OFF 6 IN	1
20	004-904969	PNL END AIR-FUEL PRE-HTR 650GTS	1
21	001-702651	CLP HOSE HAS96 SLTD HEX HD SS	1

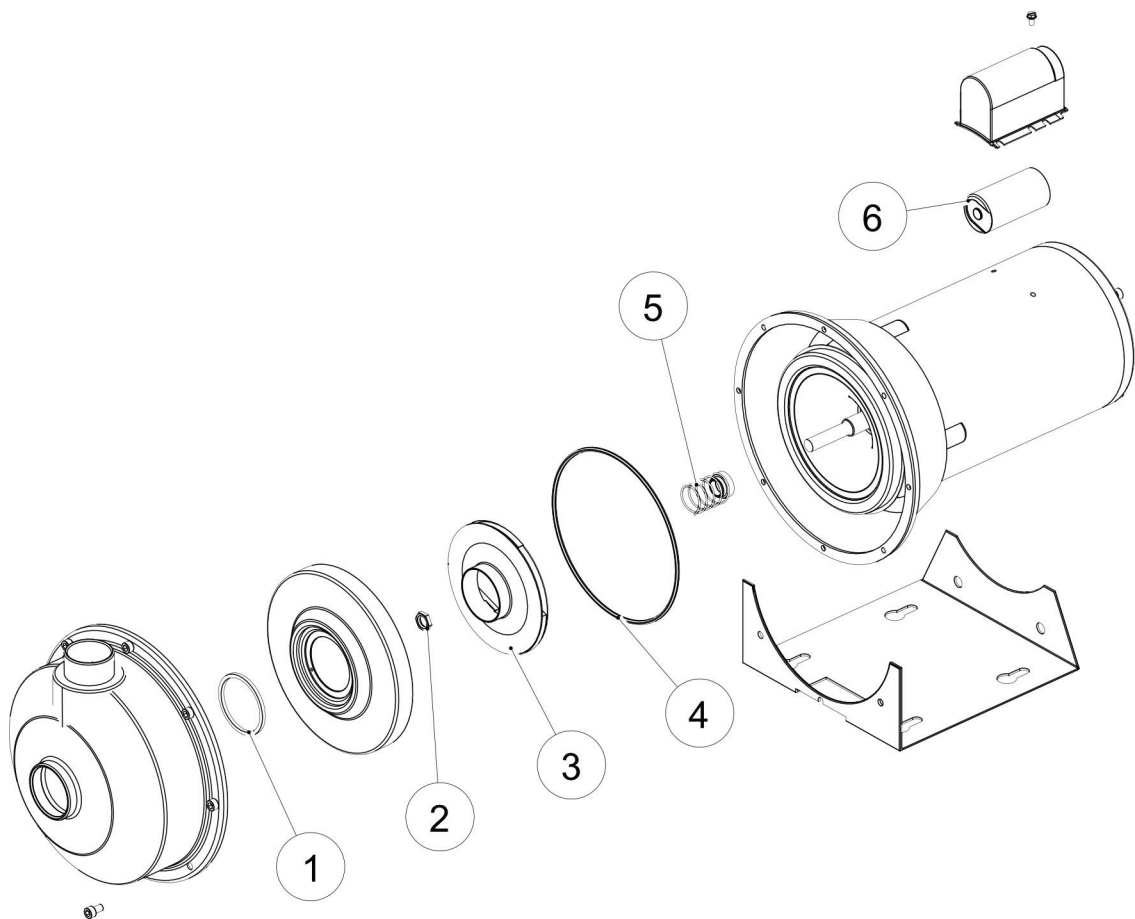




**Central Mobile Enclosure  
HCP Series  
Pump Components**

S/N: 183701 -  
S/N: Current  
PAGE: 2.1.14

Item No.	Part No.	Description	Qty.
1	012-800055	PUMP - see page 2.1.15	
2	002-704262	CONN STRN/RLF 1/2 .24-.47 CE/CSA	1
3	002-702644	CABLE SJTOW 14/3 300V CSA	11 FT
4	011-904465	VLV CHECK 1-1/2 BRS NPT 1/2PSI OPEN	1
5	011-702991	NIPL 1-1/2X1-3/4(CL) PNTD BLK	1
6	011-700580	VLV BALL 1-1/2 400WOG FL PT BRS CGA NPTF	2
7	011-700488	NIPL COMB 1-1/2 (HB) NPTM PNTD BLK	1
8	001-704412	CLP HOSE HEAVY DUTY 1.85-2.01 RNG (47-51mm)	1
9	001-700275	CLP HOSE HAS16 SLTD HEX HD SS	2
10	011-901979	NIPL COMB 1X1 BLK PIPE HB PNTD BLK	1
11	005-700120	VLV MOD DANFOSS AVTB 25 1 TEMP REG	1
12	001-701890	CLP HOSE 1-1/4 SIZE 12	2
13	011-702701	NIPL COMB 3/4NPTX3/4HB BRS	1
14	005-700121	VLV BYPASS PRESS RLF 3/4 BRS	1
15	005-702505	VLV DANFOSS 1/2IN AVTB 15 0-30 DEG C TEMP RNG	1
16	001-702552	CLP 2-EAR #22SS - 1/2ID HOSE	1
17	011-704699	NIPL COMB 1/2NPTX1/2HB 90DEG BRS	1
18	001-700337	CLP HOSE HS32 2-1/2 SLTD HEX HD SS	2
19	018-905342	PKG PLMB PUMP OUTLET 900-HCP	1
20	011-700598	NIPL COMB 1-1/2X2 BLK PIPE (PNTD BLK)	1
21	011-702660	ADPTR 1/4NPT X 9/16JIC 37DEG FLARE	1
22	018-905340	PKG PLMB PUMP INLET 900-HCP	1
23	011-700115	VLV BALL 1/2 400WOG STD BRS CGA NPTF	1
24	011-700404	CPLR FEM GARD THD 1/2XSWVL NPTM	1
25	011-704470	PLUG GARDEN HOSE MALE BRS	1
26	001-700721	NUT LKG NYL 3/8 UNC PLD	8
27	001-902055	MOUNT VIB NEOPRENE 3-8X5-8 THREAD 1 9-16 IN DIA	4





# Central Mobile Enclosure HCP Series Pump

S/N: 183701 -  
S/N: Current  
PAGE: 2.1.16

Item No.	Description	Part No.					
		012-800052 3/4 HP	012-800053 1 HP	012-905311 2 HP	012-800055 2 HP	012-702751 3 HP	
1	SEAL RING GUIDEVANE G & L PUMP	006-703027	006-703008				
2	LOCKNUT IMPELLER G & L PUMP	006-703026					
3	IMPELLER G & L PUMP	006-703028	006-703029	006-703007	006-703030	006-703031	
4	O-RING CASING G & L PUMP	006-703006					
5	SEAL MECH G & L PUMP	006-703005					
6A	CAPACITOR PUMP GOULDS	006-701171	006-702799	006-701171		006-703468	
6B	CAPACITOR RUN PUMP GOULDS <small>CAPACITOR RATING: 60µF 370V</small>						006-906552
6C	CAPACITOR RUN PUMP GOULDS W/ NIDEC MOTOR <small>CAPACITOR RATING: 40µF 370V</small>						006-906922
6D	CAPACITOR START PUMP GOULDS W/ NIDEC MOTOR <small>CAPACITOR RATING: 233-280µF 165V</small>						006-906923
6E	CAPACITOR PUMP GOULDS W/ NIDEC MOTOR <small>CAPACITOR RATING: 189-227µF 110V</small>	006-906943					

REFER TO PUMP MOTOR NAME PLATE EXAMPLES PRIOR TO ORDERING CAPACITORS

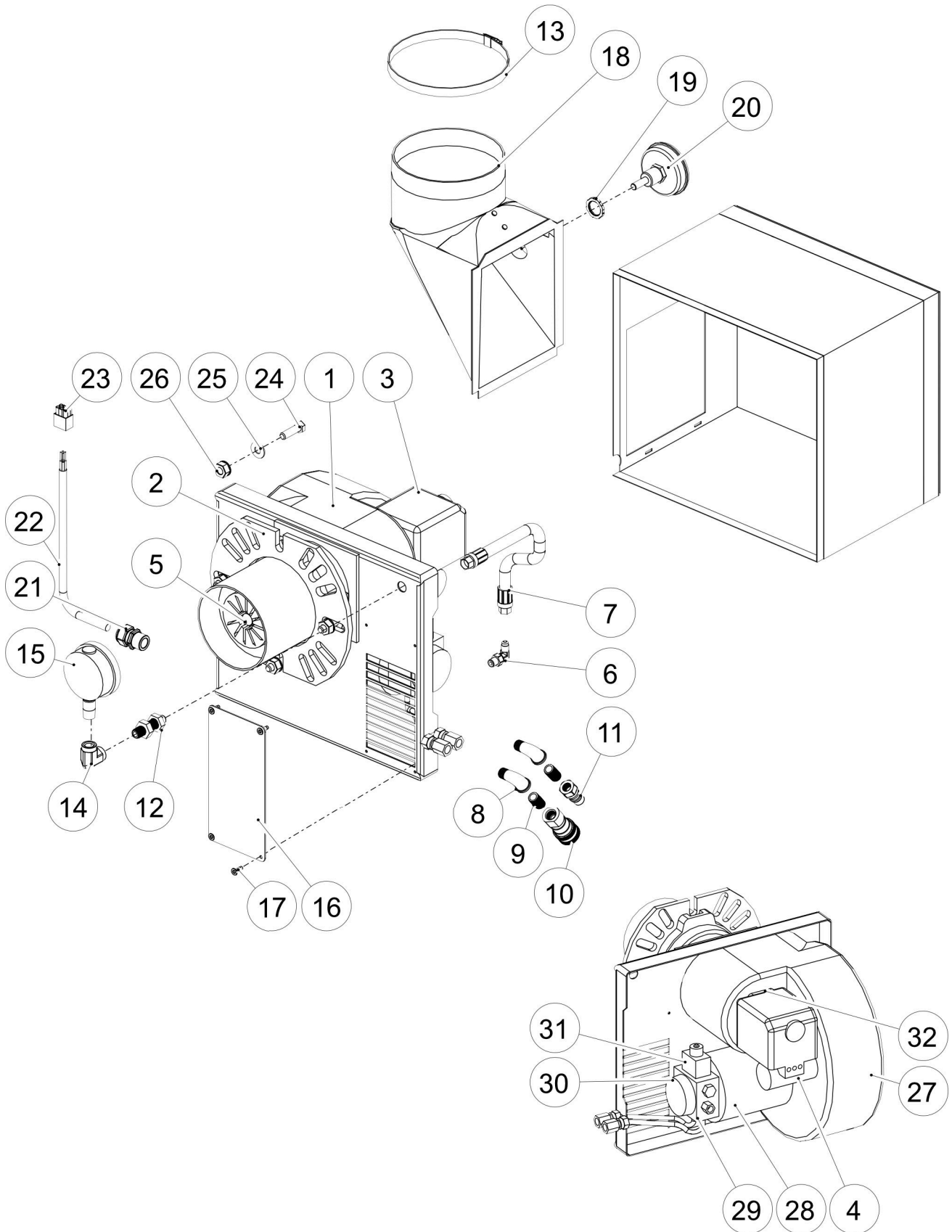
### NIDEC MOTOR NAME PLATE EXAMPLE

		CUST. NO. E06954BBS	
CAT. NO.	MODEL	INS F	AMB 40 °C PH 1 CODE E
OTHER PROTECTED	AUTO ENC ODP FRAME 56J	DUTY	CONT DATE CODE
PROT. CODE 00240			
<b>60 HZ DATA</b>		<b>50 HZ DATA</b>	
3	HP	3	HP
3450	RPM	2850	RPM
208-230	VOLTS	220-230	VOLTS
14.0-13.0	F.L.A.	14.0-15.0	F.L.A.
1.15	S.F.A.	1.0	S.F.A.
16.0-14.0	S.F.A.	N/A	S.F.A.
CE IP22			
 SUITABLE FOR FIELD WIRING. USE COPPER CONDUCTORS ONLY.			
<b>WARNING:</b> MOTOR MUST BE GROUNDED IN ACCORDANCE WITH LOCAL AND NATIONAL ELECTRIC CODES. COMPONENT COVER MUST BE IN PLACE BEFORE OPERATING TO PREVENT ELECTRICAL SHOCK OR INJURY.			

### WEG, BLUFFTON MOTOR NAME PLATE EXAMPLE

		MAT 15350627 SERIAL 107319461					
HZ	60	HZ	50				
V	115/208-230 V	V	115/230 V				
HP	0.75	HP	0.75				
RPM	3450	RPM	2875				
FLA	9.2/4.6-4.6	FLA	12.2/6.1				
SF	1.5	SF	1.00				
SFA	12.0/6.5-6.0	SFA					
FR	56J	PH	1				
INS	B	TYPE	U				
ENC	DP	MAX. AMBI	40°C				
CONT	CONT (S1)	REF	E05C12A1EB6G				
INS	B	CAT					
ENC	DP						
CERT ID	4103007456						
DSN	22H0111 8						
WARNING: Always disconnect motor from power supply before servicing. Fatal shock may result if motor frame and adjacent metal are not grounded in compliance with electrical code.							
THERMALLY PROTECTED AUTOMATIC RESET. Motor will restart without warning after protector trips. Do not install this motor on equipment where automatic startup could result in injury.							
 E10787 241536		<table border="1" style="width: 100%; border-collapse: collapse;"> <tr> <th style="width: 50%;">HIGH VOLTAGE</th> <th style="width: 50%;">LOW VOLTAGE</th> </tr> <tr> <td style="text-align: center;">           1 ●            4 ●-BLK(2)            5 ●-W(9)            2 ●         </td> <td style="text-align: center;">           1 ●            4 ●-W(9)            5 ●            2 ●-BLK(2)         </td> </tr> </table>		HIGH VOLTAGE	LOW VOLTAGE	1 ● 4 ●-BLK(2) 5 ●-W(9) 2 ●	1 ● 4 ●-W(9) 5 ● 2 ●-BLK(2)
HIGH VOLTAGE	LOW VOLTAGE						
1 ● 4 ●-BLK(2) 5 ●-W(9) 2 ●	1 ● 4 ●-W(9) 5 ● 2 ●-BLK(2)						



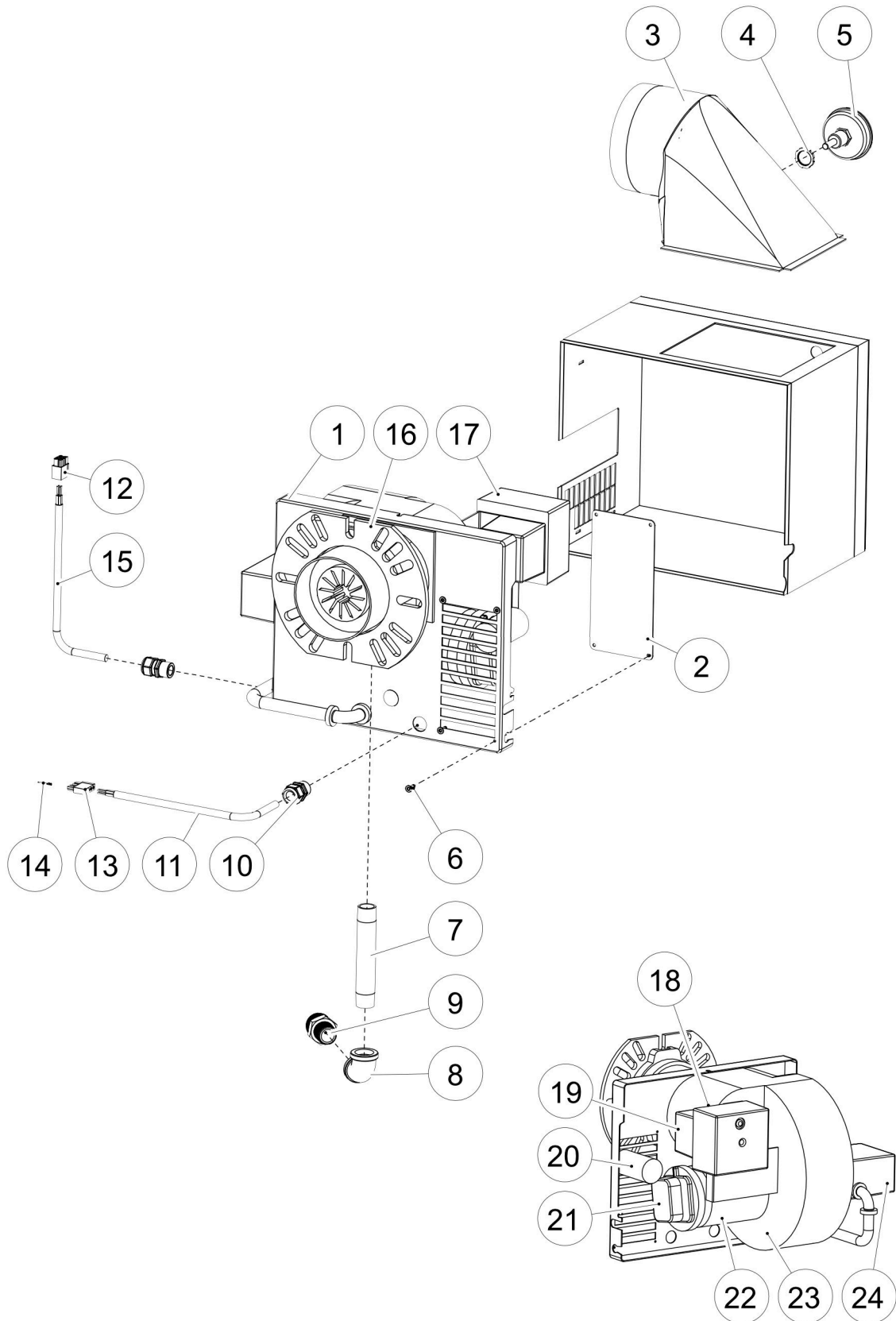




**Central Mobile Enclosure  
HCP Series  
Diesel Burner**

S/N: 183701 -  
S/N: Current  
PAGE: 2.1.18

Item No.	Part No.	Description	Qty.
	<b>018-905457</b>	<b>PKG BURNER DSL F20 900HCP/2100-DG-1800</b> (Includes 1-31)	<b>2</b>
1	012-702501	BURNER RIELLO 40-F20 FUEL OIL	1
	006-906338	CVR RIELLO F20 BURNER	1
2	006-702789	GSKT MNT RIELLO 40-F15/F20	1
3	006-702790	CNTRL PRIMARY RIELLO 40 F5/F20	1
4	006-702784	CAPACITOR RIELLO 40-F15/F20	1
5	011-702728	NOZZLE OIL BNR B 5.00X60DEG	1
6	011-702798	ADPTR 90DEG 1/8BSPP X 7/16JIC 37DEG FLARE	1
7	004-704661	FUEL LINE 1/4X10IN #6/#4JICF 37DEG STR SWVL	1
8	011-703790	ELB ST 1/4X90DEG BRS NPT	2
9	011-703824	NIPL 1/4X1(CL) BRS NPT	2
10	011-703822	QC CPLR 1/4 STL PLD NPTF	1
11	011-703823	QC NIPL 1/4 STL PLD NPTF	1
12	011-703015	ADPTR BHD 1/4NPTX9/16JIC 37DEG FLARE	1
13	001-702651	CLP HOSE HAS96 SLTD HEX HD SS	1
14	011-703016	ELB 1/4X90DEG PLD STEEL NPT	1
15	005-702511	GAUGE PRESS 0-300 PSI 1/4NPT LWR CONN	1
16	004-702739	PLT 16GAX3-3/4X7-3/4	1
17	001-700803	RIVET 5/32 GRP .3125-.375 SS	4
18	004-702520	DUCT TOP TAKE OFF 6 IN	1
19	002-701131	LOCKNUT 1/2 STL CONDUIT	1
20	005-700122	GAUGE TEMP 1/2MNPT BIMETAL 0-250F	1
21	002-704262	CONN STRN/RLF 1/2 .24-.47 CE/CSA	1
22	002-902118	CABLE SOW 4C16	1 FT
23	002-904981	CONN PLUG 6-PIN 0.084 MOLEX	1
24	001-700960	BOLT 3/8X1-1/4 PLD GR5	4
25	001-700719	WSHR FLT 3/8 PLD	4
26	001-700721	NUT LKG NYL 3/8 UNC PLD	4
27	006-902844	FAN RIELLO F15/F20/G750/G900	1
28	006-702783	MOTOR RIELLO 40-F15/F20/G750/G900	1
29	006-702792	KEY PUMP DRIVE RIELLO 40-F5/F20	1
30	006-702794	PUMP RIELLO 40-F20	1
31	006-702785	COIL OIL VLV RIELLO 40-F5/F20	1
32	006-703402	ELECTRODE ASSY 5IN RIELLO 40-F15/F20	1
		The following components may not be shown	
	002-704007	CONN PIN MALE 14-20AWG TIN	5
	006-702788	PHOTOCELL RIELLO 40-F5/F20	1
	006-702796	PKG SERVICE RIELLO 40-F20 FUEL OIL	1

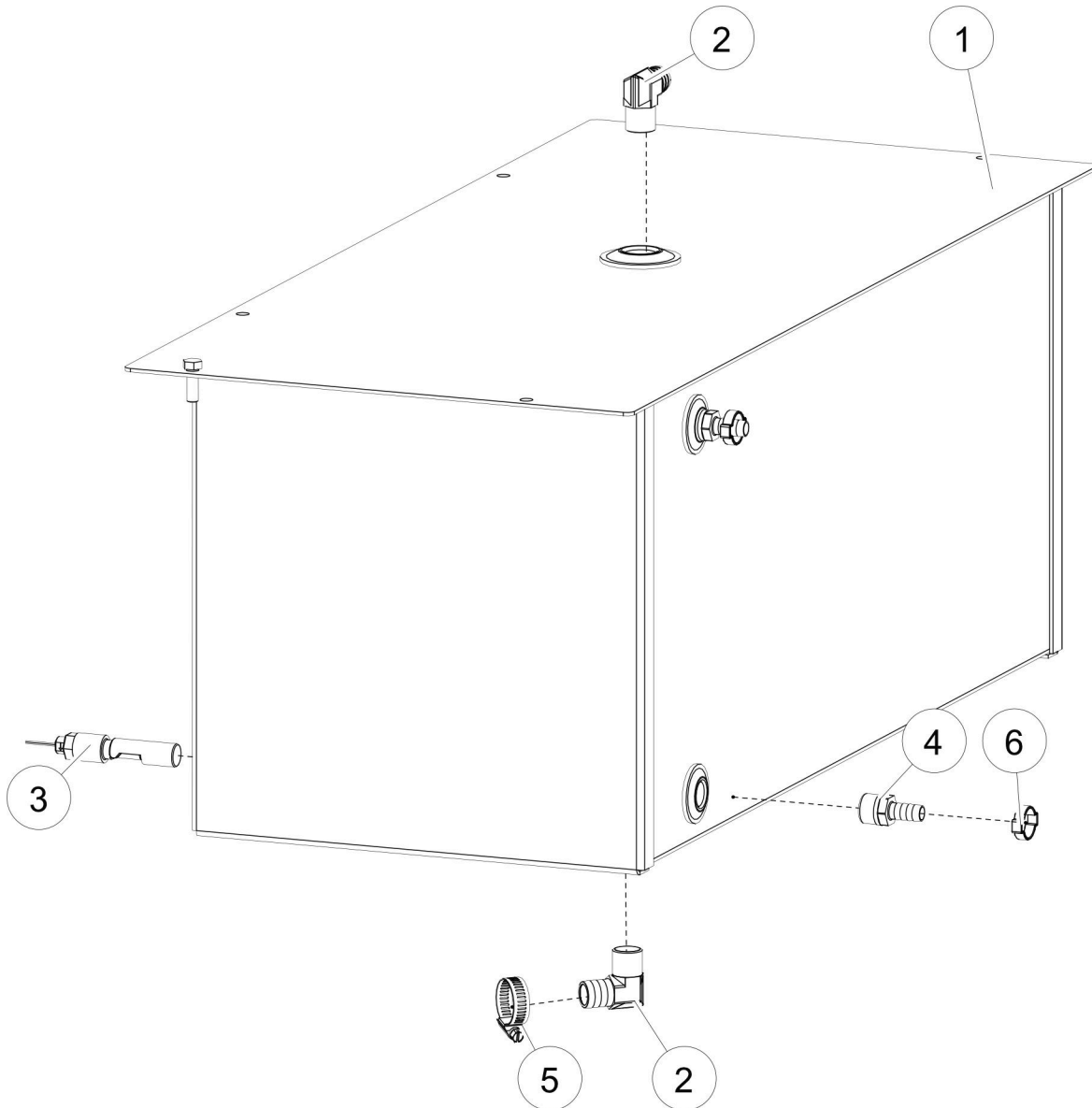




**Central Mobile Enclosure  
HCP Series  
NG/PN Burner**

S/N: 183701 -  
S/N: Current  
PAGE: 2.1.20

Item No.	Part No.	Description	Qty.
	<b>018-905459</b>	<b>PKG BURNER NG G900 900-HCP/2100-DG-1800</b> (Includes 1A-15)	<b>2</b>
	<b>018-905458</b>	<b>PKG BURNER LP G900 900-HCP/2100-DG-1800</b> (Includes 1B-15)	<b>2</b>
1A	012-901667	BURNER RIELLO 40-G900 NG	1
1B	012-903687	BURNER RIELLO 40-G900 LP	1
2	004-702739	PLT 16GAX3-3/4X7-3/4	1
3	004-702520	DUCT TOP TAKE OFF 6 IN	1
4	002-701131	LOCKNUT 1/2 STL CONDUIT	1
5	005-700122	GAUGE TEMP 1/2MNPT BIMETAL 0-250F	1
6	001-700803	RIVET 5/32 GRP .3125-.375 SS	4
7	011-701420	NIPL 3/4X5-1/2 BLK PIPE	1
8	011-700553	ELB 3/4X90DEG MI CL150 NPTF	1
9	011-905007	ADPTR 1MJIC 37X3/4MPT STL	1
10	002-704262	CONN STRN/RLF 1/2 .24-.47 CE/CSA	2
11	002-902118	CABLE SOW 4C16	3 FT
12	002-904981	CONN PLUG 6-PIN 0.084 MOLEX	1
13	002-904983	CONN PLUG 4-PIN 0.084 MOLEX	1
14	002-704007	CONN PIN MALE 14-20AWG TIN	7
15	002-702644	CABLE SJTOW 14/3 300V CSA	3 FT
16	006-702789	GSKT MNT RIELLO 40-F15/F20	1
17	005-704160	CONT PRI BOX RMG88 RIELLO 40-G750	1
18	006-901782	FUSE 6.25A RIELLO 40-G900	2
19A	006-901779	XFMR IGN RIELLO 40-G900	1
19B	006-901780	WIRE HIGH VLTG LEAD RIELLO 40-G900	1
20	006-901771	CAPACITOR 20 UF RIELLO 40-G750/G900	1
21A	006-901777	SW AIR RIELLO 40-G900	1
21B	006-901778	SW AIR TUBE CW CONNECTOR RIELLO G900	1
22	006-702783	MOTOR RIELLO 40-F15/F20/G750/G900	1
23	006-902844	FAN RIELLO F15/F20/G750/G900	1
24	006-901776	SERVOMOTOR RIELLO G900	1
		The following components may not be shown	
	016-901720	PLUG 13/16 HOLE BLK NYL	2
	004-901719	BOX STOR RIELLO G900 BNR 22-3/4H X 28-1/2LX22-1/2W	1
	004-905680	HOSE 1X24 NG CSA11 FJ16FJ16	1
	006-905120	PKG NG 3.7 ORF RIELLO 40-G900	1
	006-901770	PKG LP 2 ORF CW WSHR RIELLO G900	1

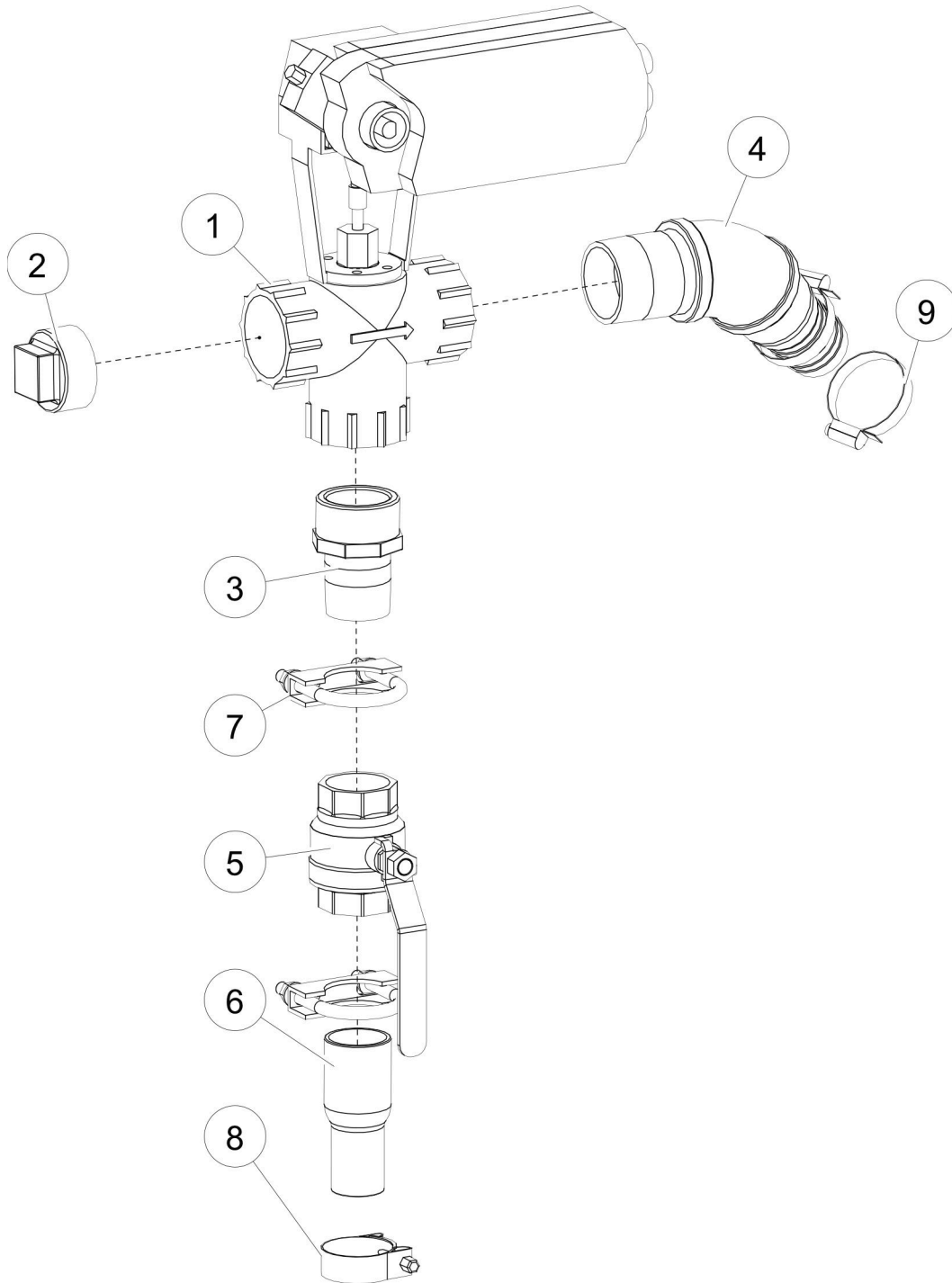




**Central Mobile Enclosure  
HCP Series  
Glycol Tank**

S/N: 183701 -  
S/N: Current  
PAGE: 2.1.22

Item No.	Part No.	Description	Qty.
1	004-905438	TANK GLY 900-HCP	1
2	011-704084	NIPL COMB 3/4NPTX3/4HB 90DEG BRS	2
3	002-702012	SW-FLOAT FSH-31	2
4	011-702565	NIPL COMB 1/2NPTX1/2HB BRS	2
5	001-701890	CLP HOSE 1-1/4 SIZE 12	1
6	001-702552	CLP 2-EAR #22SS - 1/2ID HOSE	2



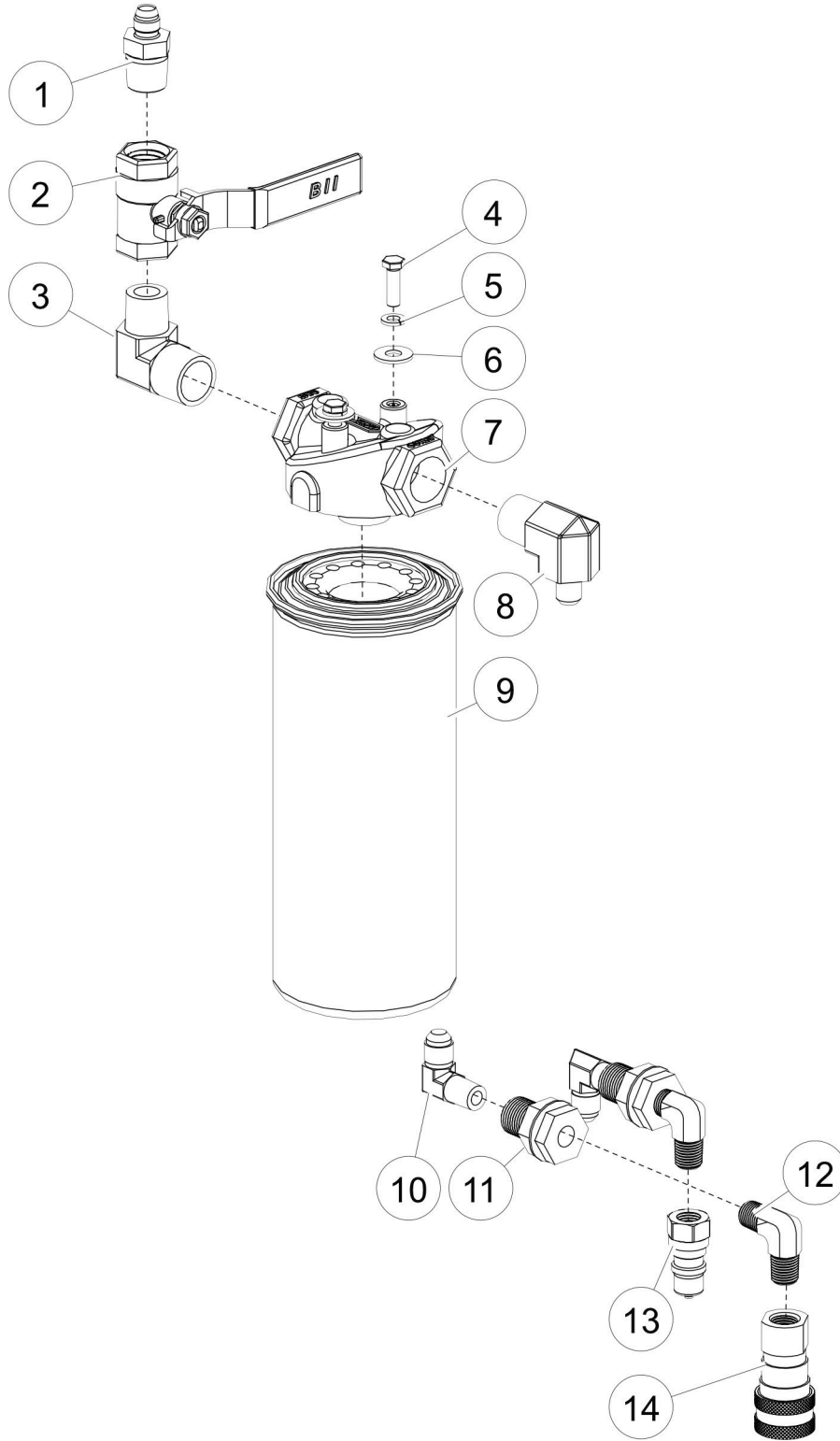


**Central Mobile Enclosure  
HCP Series  
Isolation Valve Assembly**

S/N: 183701 -  
S/N: Current  
PAGE: 2.1.24

Item No.	Part No.	Description	Qty.
1	005-904462	VLV 2 NPT PILOT OP CHECK BRS C-W SPRNG RTN ACT	1
2	011-700395	PLUG 2 SQ HD MI NPTM CL150/PN20	1
3	018-905445	PKG PLMB ISOLATION VALVE INLET 900-HCP	1
4	018-905446	PKG PLMB ISOLATION VALVE OUTLET 900-HCP	2
5	011-700580	VLV BALL 1-1/2 400WOG FL PT BRS CGA NPTF	1
6	011-700488	NIPL COMB 1-1/2 (HB) NPTM PNTD BLK	1
7	001-700622	CLP MUF 1-7/8X3/8 BOLT ZINC PLD	1
8	001-704412	CLP HOSE HEAVY DUTY 1.85-2.01 RNG (47-51mm)	1
9	001-700337	CLP HOSE HS32 2-1/2 SLTD HEX HD SS	2



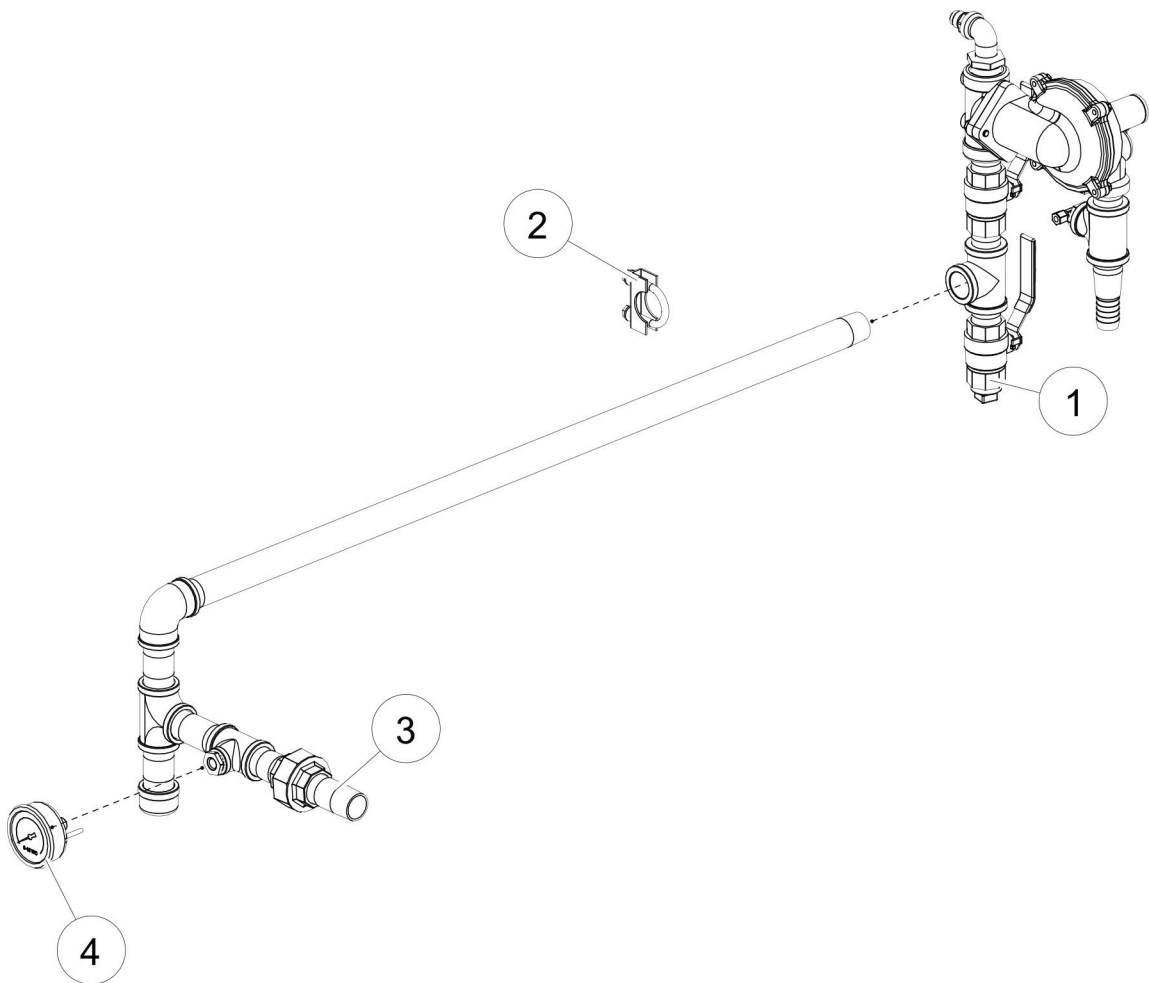




**Central Mobile Enclosure  
HCP Series  
Fuel Connections**

S/N: 183701 -  
S/N: Current  
PAGE: 2.1.26

Item No.	Part No.	Description	Qty.
1	011-702625	ADPTR 1/2 NPT X #6JIC 37DEG FLARE	1
2	011-700115	VLV BALL 1/2 400WOG STD BRS CGA NPTF	1
3	011-904676	ADPTR 90 DEG ELB 3/4X1/2 MPT STL	1
4	001-701482	BOLT 1/4X3/4 PLD GR5	2
5	001-700934	WSHR LOCK 1/4 PLD	2
6	001-700129	WSHR FLT 1/4 PLD	2
7	012-702587	ADPTR FUEL FILTER MTG AL	1
8	011-901129	ADPTR 90ELB #6JIC 37X3/4 MPT STL	1
9	012-702588	FILTER FUEL OIL PART/WTR COMB	1
10	011-904586	ELB 1/4X90DEG NPT MALE BRS	2
11	011-704229V	BLKHD 1/2NPTMX1/4NPTF BRS	2
12	011-904586	ELB 1/4X90DEG NPT MALE BRS	2
13	011-703823	QC NIPL 1/4 STL PLD NPTF	1
14	011-703822	QC CPLR 1/4 STL PLD NPTF	1

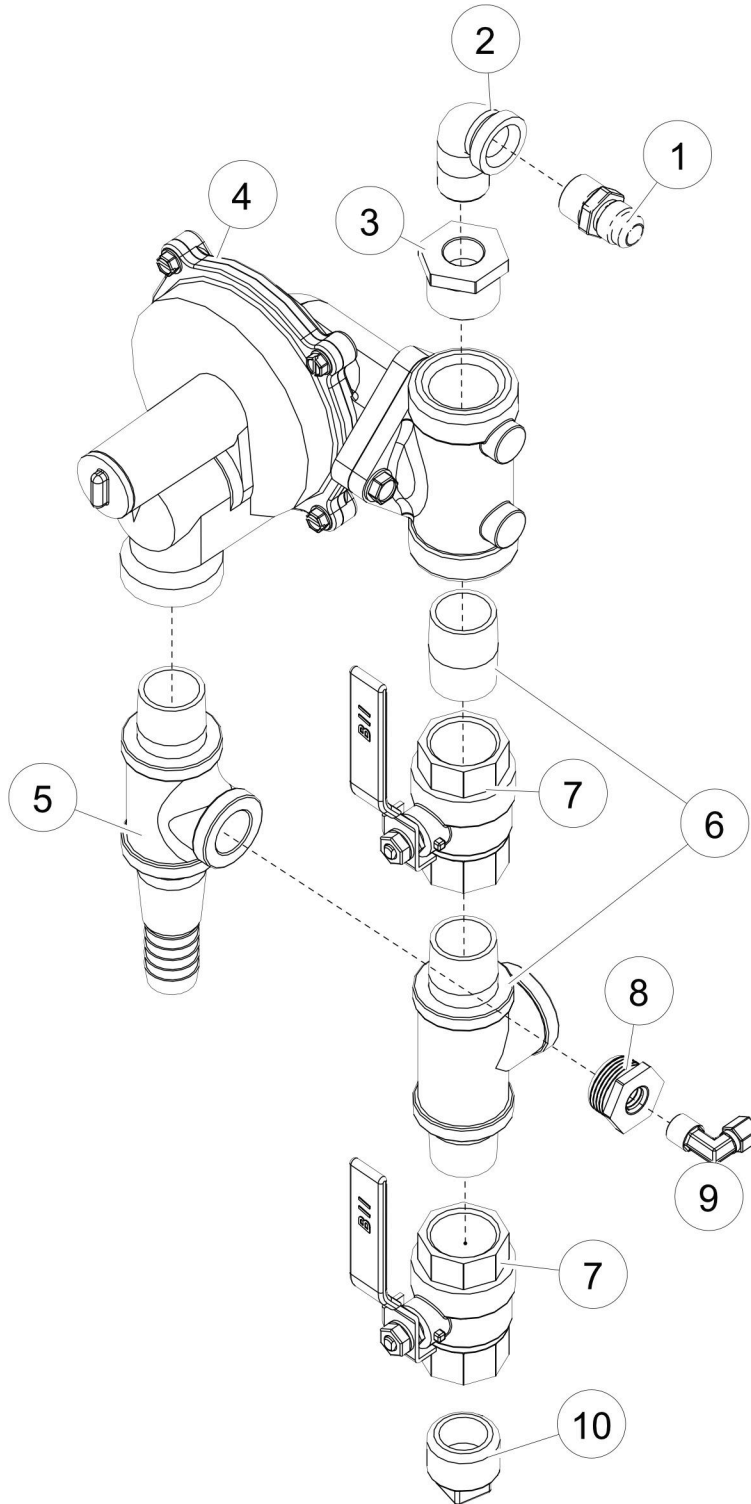




**Central Mobile Enclosure  
HCP Series  
Gas Train**

S/N: 183701 -  
S/N: Current  
PAGE: 2.1.28

Item No.	Part No.	Description	Qty.
1		REGULATOR - see page 2.1.29	
2	001-703040	CLP MUF 1-1/4IN 5/16UNC PLD	1
3	018-905348	PKG GAS LINE 1 IN BEFORE TRAIN 900-HCP	1
4	005-906944	GAUGE LO-PRESS 0-32IN WC PNL 2-1/2IN	1

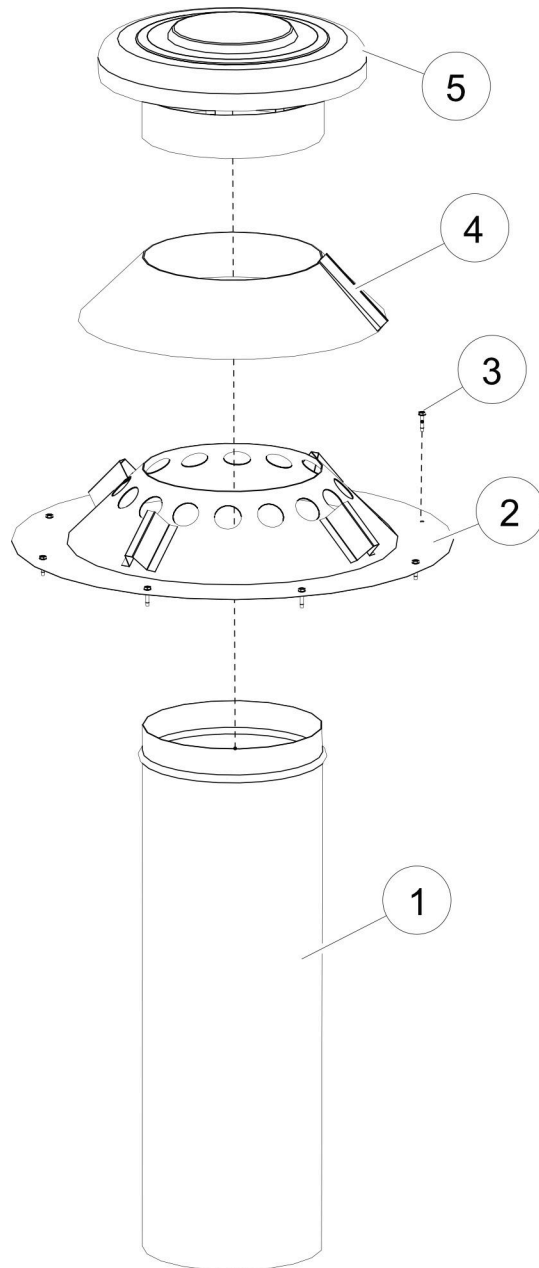




**Central Mobile Enclosure  
HCP Series  
Propane Regulator**

S/N: 183701 -  
S/N: Current  
PAGE: 2.1.30

Item No.	Part No.	Description	Qty.
	<b>018-903684</b>	<b>PKG REG PN 900FLEX</b> (Includes 1-10)	<b>1</b>
	<b>018-903702</b>	<b>ASSY PLMB REG 900FLEX</b> (Includes 1-5, 8, 9)	<b>1</b>
	<b>018-903703</b>	<b>ASSY PLMB REG PKG VLVS 900FLEX</b> (Includes 6, 7, 10)	<b>1</b>
1	011-701769	ADPTR BRS 1/2NPTX1/2SAE 45DEG FLARE	1
2	011-703048	ELB ST 1/2X90DEG BRS NPT	1
3	011-701770	BSHG RDCG 1X1/2 BRS MXF NPT	1
4	005-701409	RGLTR PN NPT 10PSI 4-16WC SPR RNG ADJ	1
5	018-903577	ASSY PLMB PN 600GTS-DG	1
6	018-903576	ASSY PLMB NG 600GTS-DG	1
7	011-700366	VLV BALL 1 400WOG FL PT BRS CGA NPTF	2
8	011-903373	BSHG RDCG 3/4X1/4 BRS	1
9	011-700641	CPRSN FTG ELB 1/4TX1/4 MPT	1
10	011-702704	PLUG BRS 1 NPT SQ HD	1



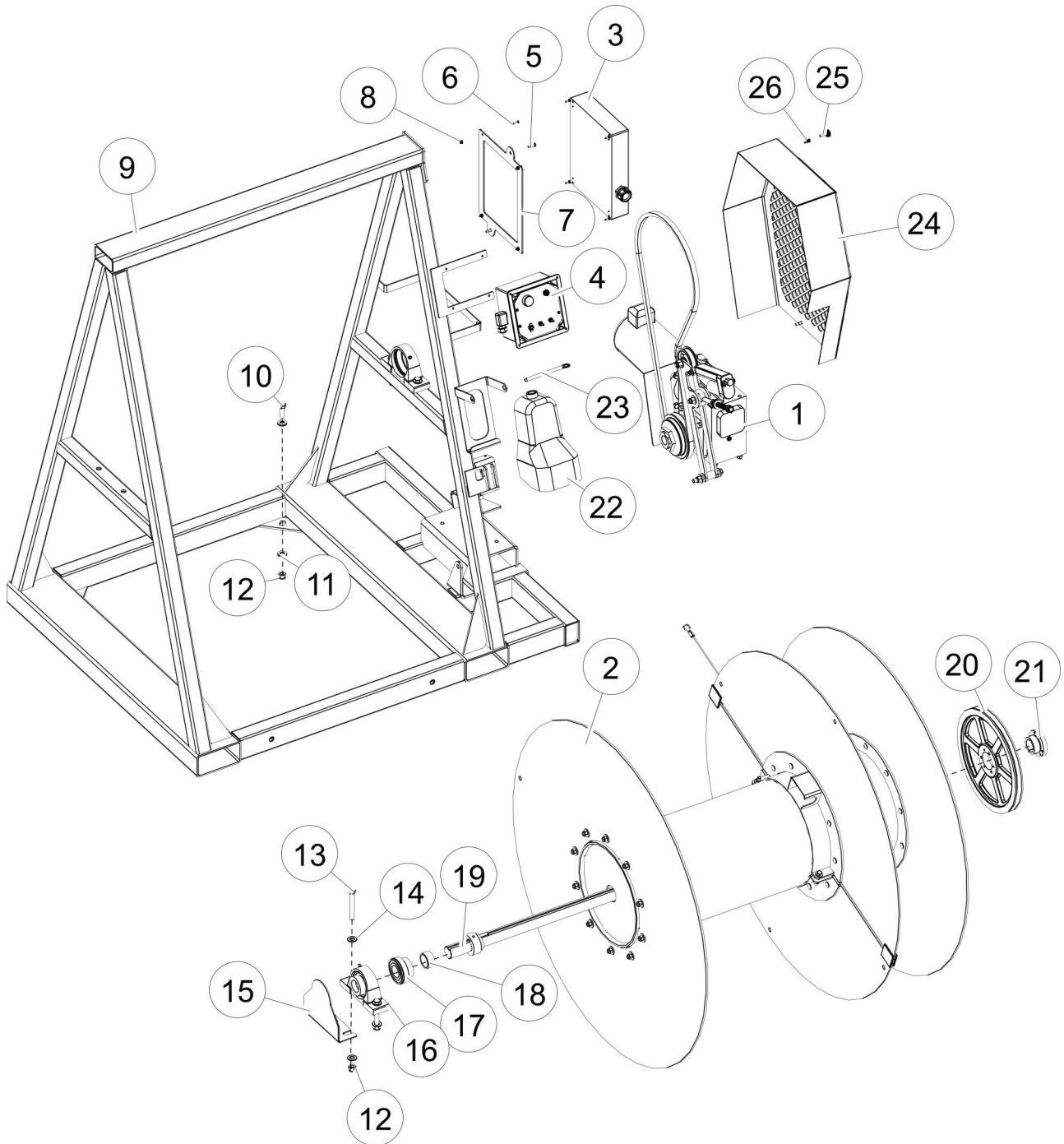


**Central Mobile Enclosure  
HCP Series  
Chimney**

S/N: 183701 -  
S/N: Current  
PAGE: 2.1.32

Item No.	Part No.	Description	Qty.
1	004-903083	CHMNY PIPE 10X30L 24 GA SNAP LOCK	1
2	004-702658	FLSHG ROOF VENT 10IN MOD 2100	1
3	001-700629	SCRW D/T 10-16X3/4 5/16HEX HD PLD	8
4	004-702571	STORM COLLAR 10IN MOD 2100	1
5	004-702518	CHMNY CAP 10IN CHINA GALV	1



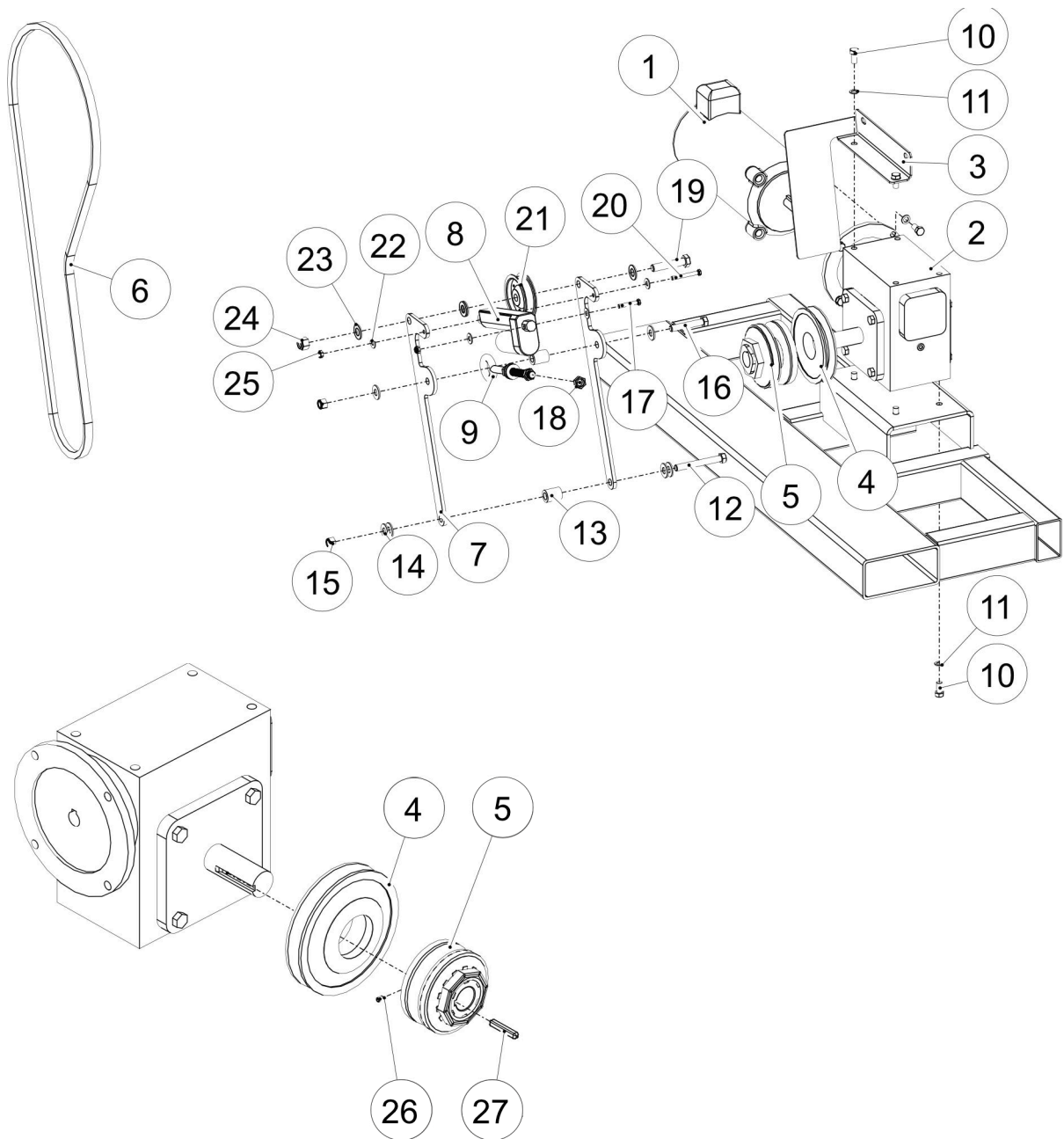




**Central Mobile Enclosure  
HCP Series  
Hose Reel**

S/N: 183701 -  
S/N: Current  
PAGE: 3.1.2

Item No.	Part No.	Description	Qty.
	<b>018-905625</b>	<b>ASSY HOSE REEL 900-HCP</b> (Includes 1-9, 9-26)	<b>1</b>
1		BELT DRIVE - see page 3.1.3	
2		SPOOL - see page 3.1.5	
3	018-902622	PKG ELEC CONT HRA	1
4	018-902620	PKG ELEC SWITCH HRA	1
5	001-700093	SCRW D/T 1/4-14X3/4 3/8HEX HD PLD	2
6	001-701183	SCRW MACH 8-32X3/4 RHTHD	4
7	004-902739	MNT MOTOR CNTRL HRA	1
8	001-704503	NUT LKG NYL 8-32 SS UNC	4
9	004-903103	FRAME HOSE REEL HRV5000	1
10	001-700473	BOLT 1/2X1-1/2 PLD GR5	4
11	001-700100	WSHR FLT 1/2 PLT PLD	8
12	001-701606	NUT LKG NYL 1/2 UNC PLD	4
13	001-702159	BOLT 1/2X3-3/4 UNC PLD	4
14	001-700110	WSHR FLT 1/2 SAE PLD	16
15	004-903111	SHLD SHFT HRV5000	1
16	017-902600	PLBLK TER P208 1-1/2 BRG	2
17	017-902619	BRG 1-1/2 TER 208	2
18	004-903112	CDSM 1.875OD X1.563ID .875L PNTD BLK	2
19	004-903105	SHAFT CR 1-1/2 CW KEYWAY 46-1/4L	1
20	017-904855	PULLEY SDS 12.75 OD HUB	1
21	017-902618	HUB SDS 1-1/2 3 BOLT PATTERN	1
22	002-902559	SWITCH FOOT 2NO-2NC PG16F THREAD	1
23	001-902741	PIN QR 3/8X5-1/2L CW RING	1
24	004-902759	PNL BELT GUARD UPPER HRA	1
25	001-902717	BOLT 1/4X7/8 UNC KNURL PLSTC HD	4
26	001-703408	INSERT THD 1/4 UNC RND BODY .027-.165 GRP	2

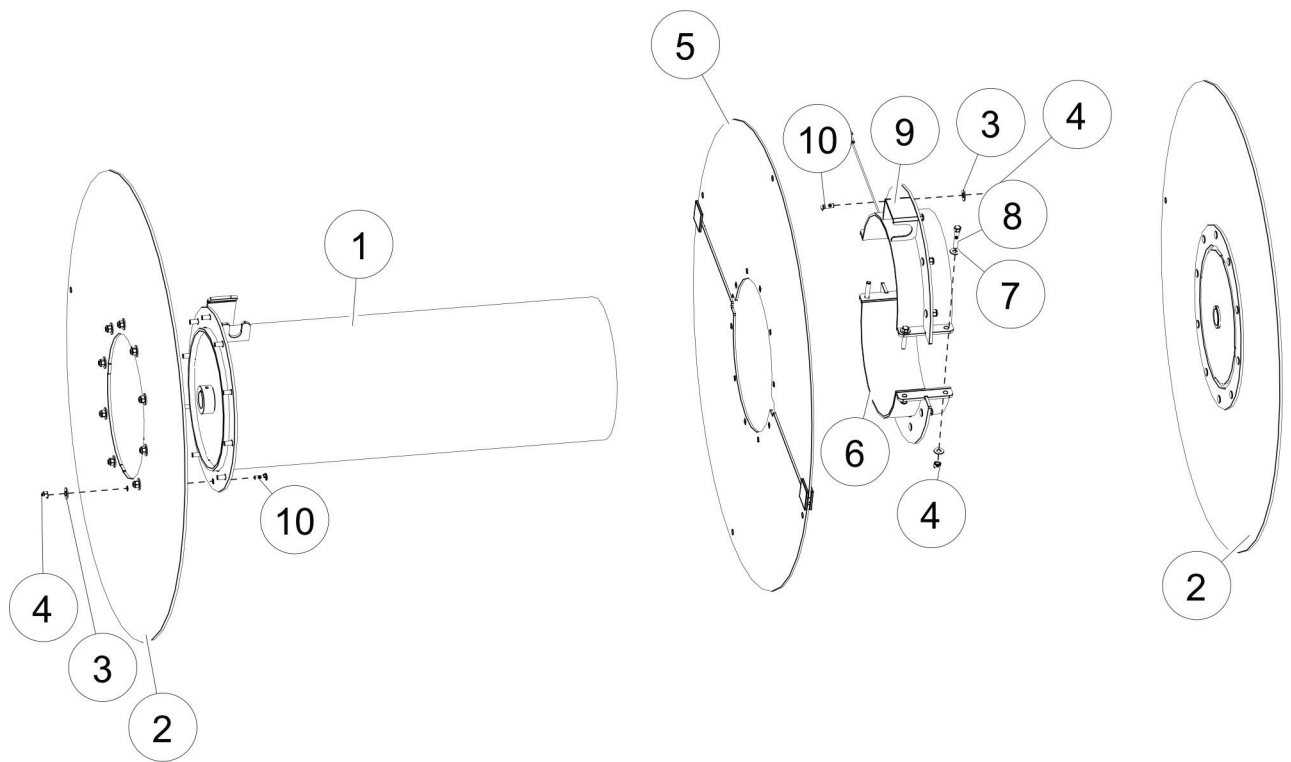




**Central Mobile Enclosure  
HCP Series  
Belt Drive**

S/N: 183701 -  
S/N: Current  
PAGE: 3.1.4

Item No.	Part No.	Description	Qty.
1	012-902602	MOTOR DC 90V 1HP 56C	1
2	012-902555	GEARBOX HLCL WORM RTANG 60:1 56C.75HP IRONHORSE	1
3	004-902738	GUARD BELT LOWER HRA	1
4	017-902864	PULLEY B BELT 5.35 ODX1.90625ID	1
5	017-902565	TRQ LMTR 1-1/8 SHAFT SGL SPR 50-10 FT LB	1
6	012-904856	BELT B72 HRV5000	1
7	004-902743	ARM PIVOT HRA	2
8	005-902560	LINAC 3IN STROKE 150LBS 12VDC	1
9	001-902566	BOLT EYE 1/2X4X1IN OPEN 8L UNC	1
10	001-700434	BOLT 3/8X3/4 PLD GR5	10
11	001-700936	WSHR LOCK 3/8 PLD	10
12	001-700470	BOLT 7/16X3-1/2 PLD GR5	1
13	004-902740	DOM .875OD X.500ID 1-1/8L PNTD BLK	2
14	001-700719	WSHR FLT 3/8 PLD	6
15	001-701716	NUT LKG NYL 7/16	2
16	001-700469	BOLT 7/16X2-1/2 PLD GR5	1
17	001-700956	BOLT 1/4X1-1/2 PLD GR5	1
18	001-703313	NUT JAM 1/2 UNC PLD	4
19	001-700475	BOLT 1/2X2-1/2 PLD GR5	1
20	001-700955	BOLT 1/4X2 PLD GR5	1
21	017-902603	PULLEY B BELT 3.25 OD INT BRG FLT-IDLER	1
22	001-700129	WSHR FLT 1/4 PLD	4
23	001-700110	WSHR FLT 1/2 SAE PLD	8
24	001-701606	NUT LKG NYL 1/2 UNC PLD	1
25	001-700042	NUT LKG NYL 1/4 UNC PLD	1
26	006-702378	SCRW SET 1/4-20X1/4 TRQ LMTR	1
27	004-906426	KEY 1/4X1/4 1-1/2L	1
		The following components may not be shown	
	006-906553	DISC SET 1-1/8IN TRQ LMTR	

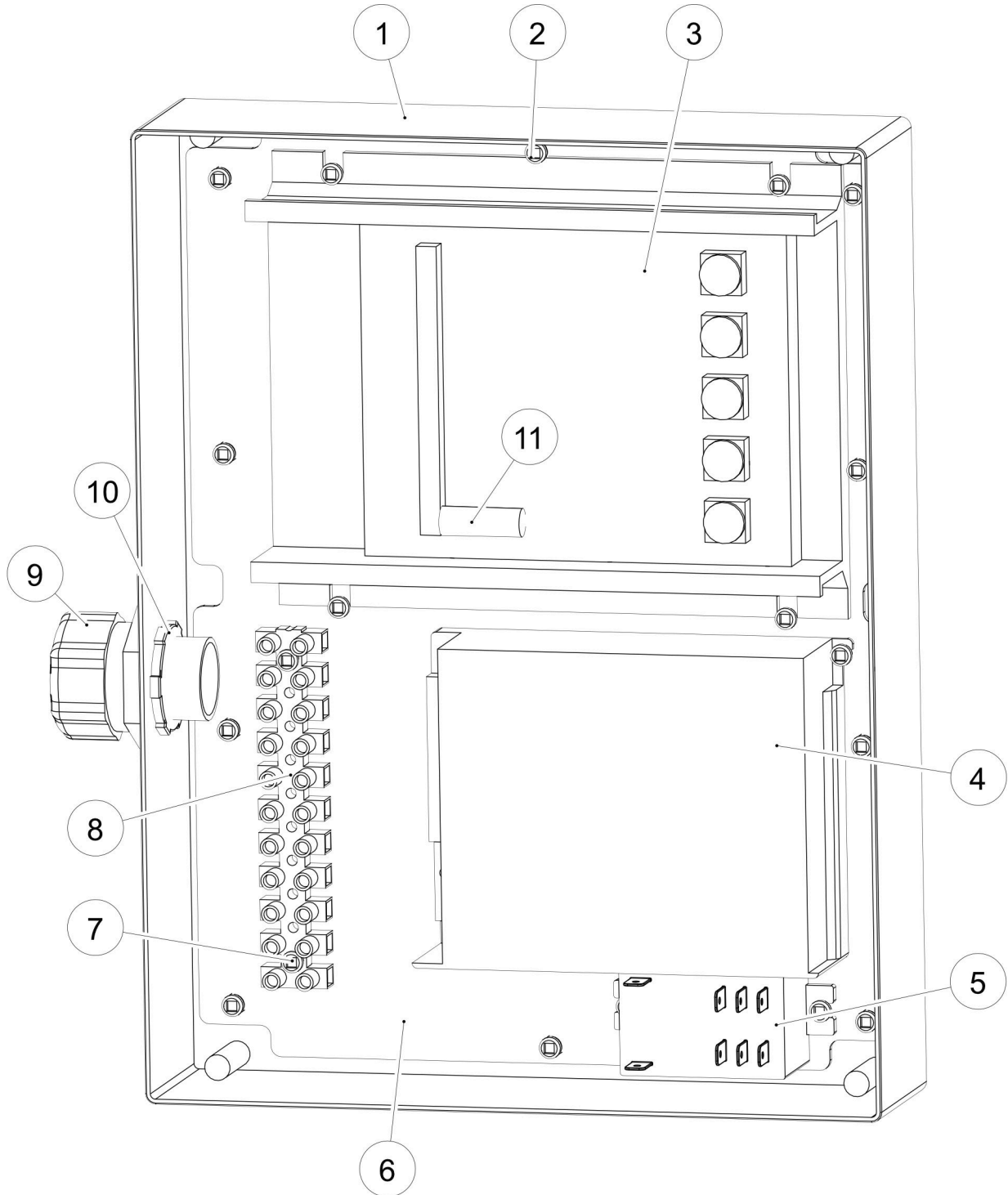




**Central Mobile Enclosure  
HCP Series  
Spool**

S/N: 183701 -  
S/N: Current  
PAGE: 3.1.6

Item No.	Part No.	Description	Qty.
1	004-903104	SPOOL HOSE REEL HRV5000	1
2	004-905638	RING OUTER CW 10HOLES 42 OD	2
3	001-700719	WSHR FLT 3/8 PLD	30
4	001-700721	NUT LKG NYL 3/8 UNC PLD	34
5	004-905634	ASSY RING OUTER 42 IN HALF	2
6	004-905629	ASSY SPOOL DIVIDER MNT	1
7	001-700719	WSHR FLT 3/8 PLD	8
8	001-701498	BOLT 3/8X2 PLD	4
9	004-905635	ASSY SPOOL DIVIDER MNT CW HOSE HOLDER	1
10	001-704090	BOLT CRG 3/8-16X1 UNC PLD	30



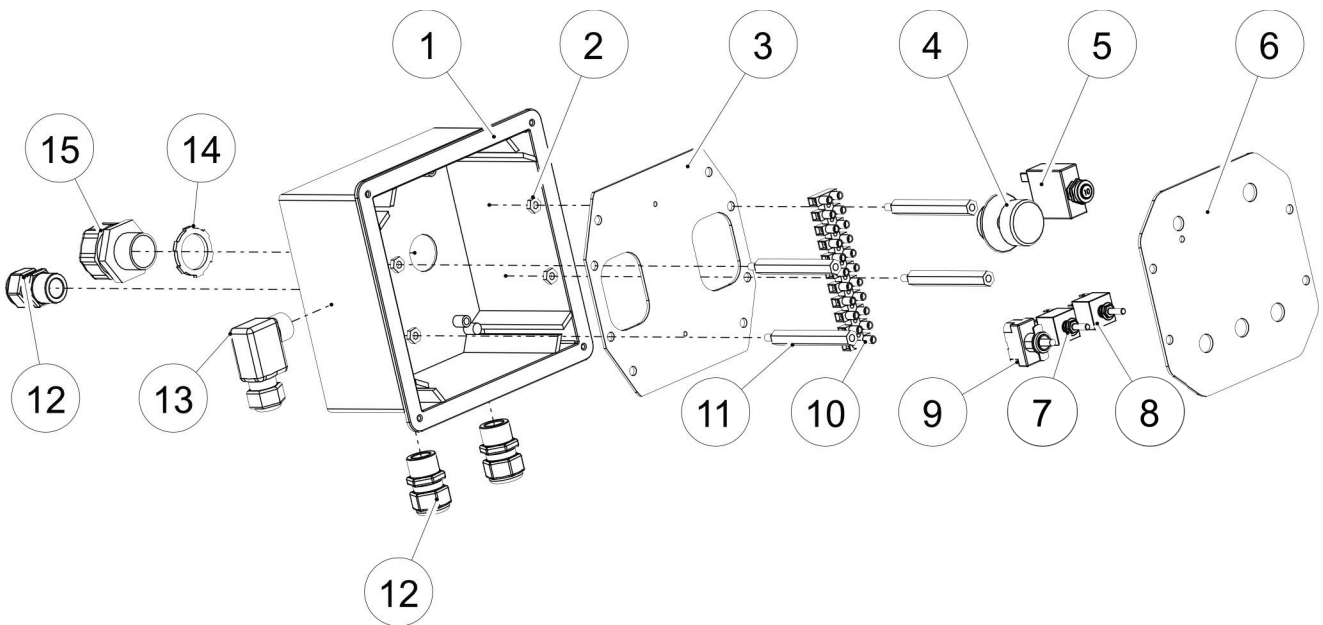


**Central Mobile Enclosure  
HCP Series  
Control**

S/N: 183701 -  
S/N: Current  
PAGE: 3.1.8

Item No.	Part No.	Description	Qty.
1	002-902562	ENC ELEC 11.75X9X3.5 POLYCARB	1
2	001-900608	SCRW SH MET #6X3/8 PAN HD SQ DR ZINC	18
3	005-902557	MOTOR CONTROLLER 90VDC IRONHORSE	1
4	002-902561	XFMR 120VAC-12VDC 72VA OUTPUT	1
5	002-902606	RELAY 12VDC DPDT FINDER SOLID-STATE	1
6	004-902624	PLT BKG ELEC BOX 11.75X9	1
7	001-702953	SCRW SH MET #6X3/4 PAN HD	2
8	002-702013	TERM STRIP-12POLE	1
9	002-902609	CONN STR-RLF 3/4 FOR 1/2 TEK CABLE	1
10	002-701133	LOCKNUT 3/4 STL CONDUIT	1
11	006-904745	FUSE ABC-15 SLO-BURN	1



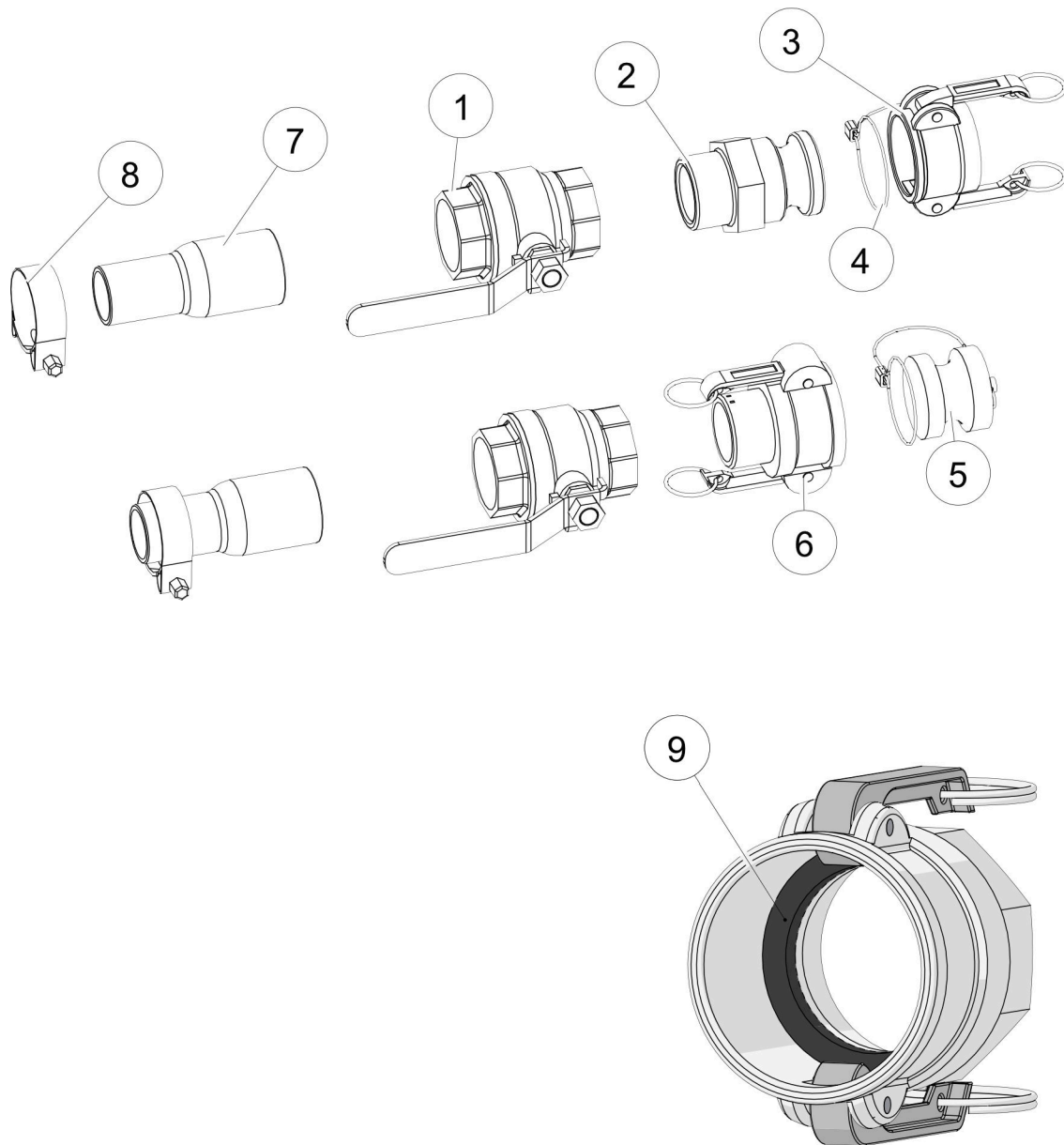




**Central Mobile Enclosure  
HCP Series  
Switch**

S/N: 183701 -  
S/N: Current  
PAGE: 3.1.10

Item No.	Part No.	Description	Qty.
1	002-901427	ENC 6X6 POLY CW WINDOW	1
2	001-703107	NUT MSCR #10-32 HEX PLD	4
3	004-902581	PLT BKG ELEC BOX 5-1/4IN SQ	1
4	006-702384	PKG POTENTIOMETER S9111	1
5	002-902617	BRKR CKT 10A PUSH TO RESET	1
6	004-902614	FPLT HRA ELEC	1
7	002-904746	SW 20A DPDT ON-ON	1
8	002-902615	SW DPDT MOM ON-OFF-MOM ON SCRW TERM	1
9	002-701359	SW TGL SPST 20A 125V SCRW TERM	1
10	002-702013	TERM STRIP-12POLE	1
11	001-902648	STANDOFF #10-32 MXF 3IN L BODY	4
12	002-704262	CONN STRN/RLF 1/2 .24-.47 CE/CSA	3
13	002-704247	CONNECTOR 1/2 90DEG FLEX NYL	1
14	002-701133	LOCKNUT 3/4 STL CONDUIT	1
15	002-902609	CONN STR-RLF 3/4 FOR 1/2 TEK CABLE	1
		The following components may not be shown	
	001-702161	WSHR LOCK #10 PLD	4
	001-702953	SCRW SH MET #6X3/4 PAN HD	2
	001-704572	SCRW MACH 10-32x3/8 SS UNF BTN HD 1/8HEX DR	4

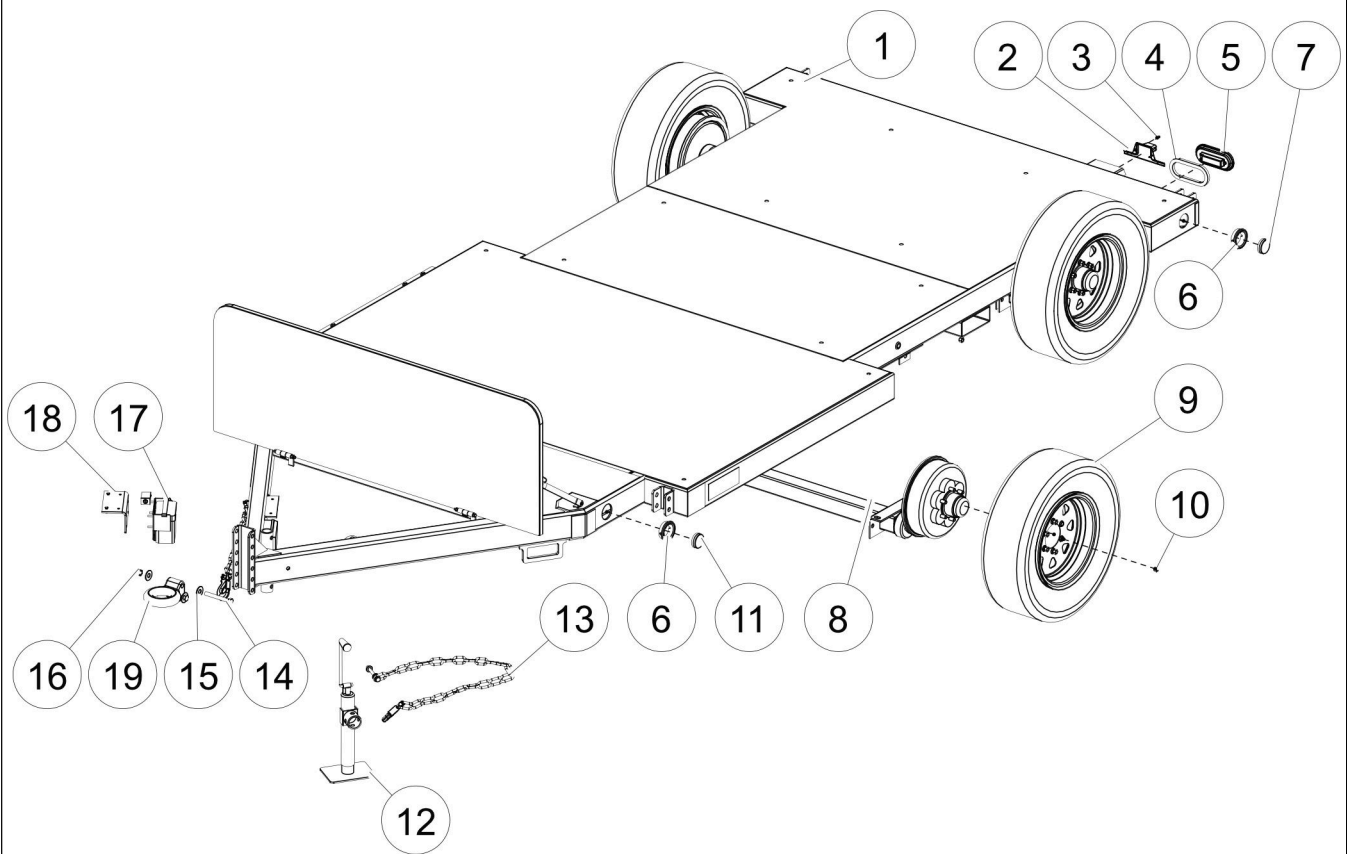




**Central Mobile Enclosure  
HCP Series  
Kamlocks**

S/N: 183701 -  
S/N: Current  
PAGE: 4.1.2

Item No.	Part No.	Description	Qty.
	<b>018-903054</b>	<b>PKG VLV KMLCK NPL 1-1/2 MALE</b> (Includes 1-4, 7, 8)	<b>1</b>
	<b>018-903055</b>	<b>PKG VLV KMLCK NPL 1-1/2 FEM</b> (Includes 1, 4-8)	<b>1</b>
1	011-700580	VLV BALL 1-1/2 400WOG FL PT BRS CGA NPTF	2
2	011-702847	KMLCK 1-1/2 ADPTR AL MALE NPT PART F	1
3	011-702849	KMLCK 1-1/2 DUST CAP AL PART DC	1
4	001-700451	CABLE ACFT 7X7 1/16 GALV	2
5	011-702850	KMLCK 1-1/2 DUST PLUG AL PART DP	1
6	011-702848	KMLCK 1-1/2 FEMALE CPLR AL MALE NPT PART B	1
7	011-700488	NIPL COMB 1-1/2 (HB) NPTM PNTD BLK	2
8	001-704412	CLP HOSE HEAVY DUTY 1.85-2.01 RNG (47-51mm)	2
9A	006-900825	GSKT 1-1/2IN KMLCK CPLR SILICONE RBR	2
9B	006-702960	GSKT 1-1/2IN KMLCK CPLR STD	1
9C	006-702963	GSKT 1-1/2IN KMLCK CPLR THICK	1

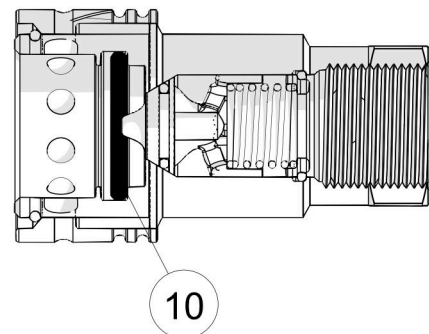
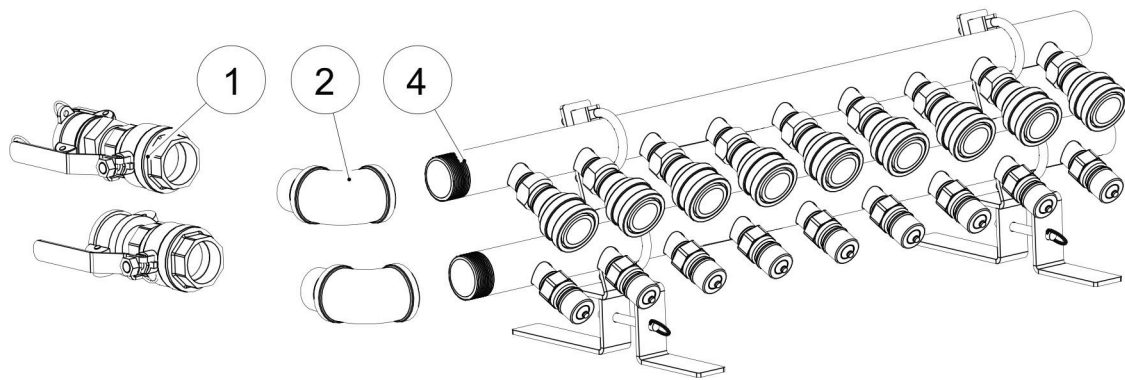
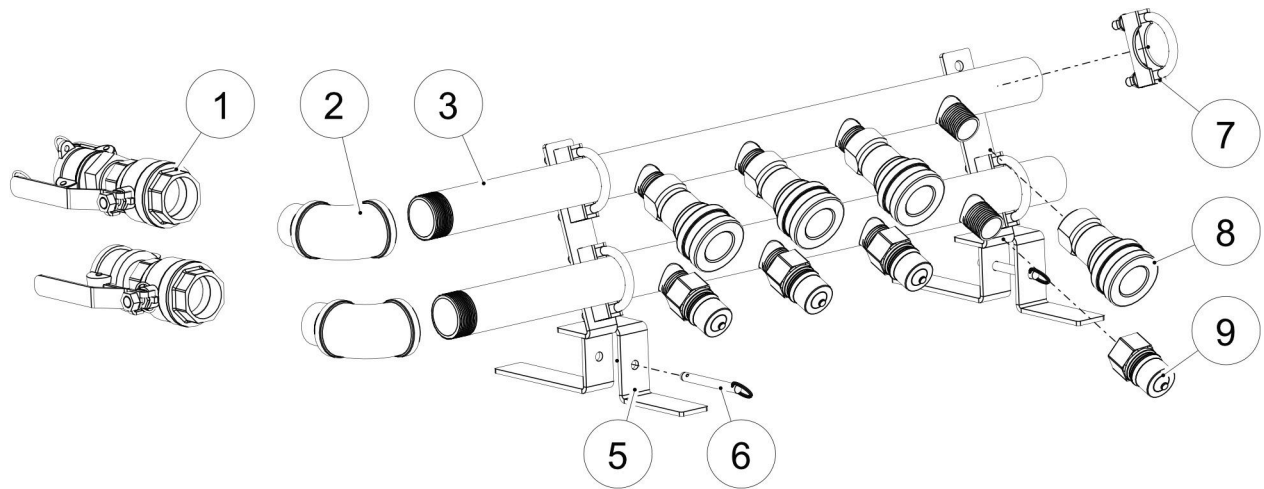




**Central Mobile Enclosure  
HCP Series  
Trailer**

S/N: 183701 -  
S/N: Current  
PAGE: 5.1.2

Item No.	Part No.	Description	Qty.
1	004-905462	FRAME MAIN TRLR 900-HCP	1
2	002-701961	LIGHT LICENSE PLT	1
3	001-700629	SCRW D/T 10-16X3/4 5/16HEX HD PLD	2
4	002-903033	GROM LAMP 6IN OVAL	2
5	002-903032	LIGHT TAIL OVAL 6IN LED	2
6	002-703321	GROM LAMP 2-1/2 INCH	4
7	002-903031	LIGHT RED CLEARANCE 2.5IN LED	2
8	012-903466	AXLE #11 TORFLEX 22.5DEG UP 6000LB TRK WD=83	2
9	012-704396	WHEEL ASSY ST225/75R15 6BLT LR-E	4
10	001-703962	NUT WHEEL 1/2 UNF	24
11	002-903030	LIGHT AMBER CLEARANCE 2.5IN LED	2
12	012-903131	JACK TOP WIND 7000LB 10IN LIFT	1
13	012-901107	CHAIN SAF 3/8X35 CW LATCH-HOOK 1/2IN LINK	2
14	001-702203	BOLT 5/8X5 UNC PLD GR5	2
15	001-703306	WSHR FLAT 5/8 PLT PLD	4
16	001-700950	NUT LKG NYL 5/8 UNC PLD	2
17	004-701984	BREAKAWAY PKG	1
18	010-702025	BRKT BRKAWY SYS	1
19	004-701955	LUNETTE EYE 3 INCH	1
		The following components may not be shown	
	001-901105	BOLT 1/2X5 GR8 UNC PLD	2
	001-700100	WSHR FLT 1/2 PLT PLD	12
	001-703279	NUT LKG UNITORQUE 1/2 UNC PLD	2
	001-703316	BOLT 1/4X7/8 PLD GR5	7
	001-700042	NUT LKG NYL 1/4 UNC PLD	9
	001-700129	WSHR FLT 1/4 PLD	6
	001-703287	PIN QUICK 1/4X2-1/2 RND LOOP	2
	001-700956	BOLT 1/4X1-1/2 PLD GR5	2





**Central Mobile Enclosure  
HCP Series  
Optional Manifolds**

S/N: 183701 -  
S/N: Current  
PAGE: 6.1.2

Item No.	Part No.	Description	Qty.
	<b>018-905609</b>	<b>ASSY MANF 1QC 4-PORT 900-HCP</b> (Includes 1-3,5-9)	<b>1</b>
	<b>018-905613</b>	<b>ASSY MANF 3/4QC 9-PORT 900-HCP</b> (Includes 1,2,4-9)	<b>1</b>
	<b>018-905616</b>	<b>PKG PLMB MANF TOP 1X4 900-HCP</b> (Includes 1-3,8)	<b>1</b>
	<b>018-905617</b>	<b>PKG PLMB MANF BTM 1X4 900-HCP</b> (Includes 1-3,9)	<b>1</b>
	<b>018-905618</b>	<b>PKG PLMB MANF TOP 3-4X9 900-HCP</b> (Includes 1,2,4,8)	<b>1</b>
	<b>018-905619</b>	<b>PKG PLMB MANF BTM 3-4X9 900-HCP</b> (Includes 1,2,4,9)	<b>1</b>
1		KAMLOCKS	4.1.1
2	018-905621	PKG PLMB ELB 1-1/2 CW 1-3/4 NIPL	2 PER
3	004-905610	MANF PIPE 1-1/2X33-1/4X4PORTX1	2 PER
4	004-905614	MANF PIPE 1-1/2X35 9-PORTX3/4	2 PER
5	004-905612	BRKT MANF STND 900-HCP	2 PER
6	001-902939	PIN QR 3/8X3-1/2L CW RING	2 PER
7	001-700622	CLP MUF 1-7/8X3/8 BOLT ZINC PLD	4 PER
8	011-701374	QC CPLR BRS 1 60 SERIES	4 OR 9
9	011-701375	QC NIPL BRS 1 60 SERIES	4 OR 9
10	006-702957	O-RING 1IN QC CPLR (.141)	8 OR 18





**Central Mobile Enclosure  
HCP Series  
Hoses and Fuel Lines**

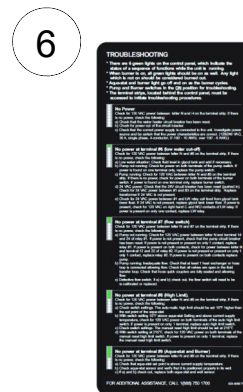
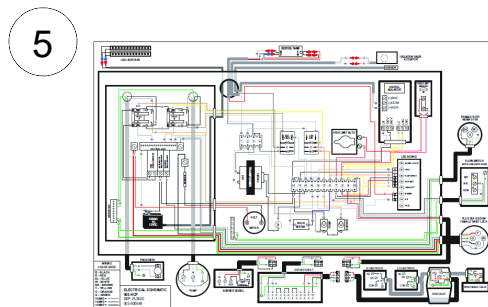
S/N: 183701 -  
S/N: Current  
PAGE: 7.1.1

Item No.	Part No.	Description	Qty.
		<b>DANFOSS TO AIR/FUEL PRE HTR</b>	
	013-702635	HOSE 3/4 RED	57IN
		<b>AIR/FUEL PRE HTR TO RETURN PLUMBING</b>	
	013-702635	HOSE 3/4 RED	65IN
		<b>PRESSURE RELIEF VALVE TO RETURN PLUMBING</b>	
	013-702635	HOSE 3/4 RED	23IN
		<b>GLY TANK TO HE</b>	
	013-702635	HOSE 3/4 RED	27IN
		<b>GLY TANK TO OVERFLOW</b>	
	013-702635	HOSE 3/4 RED	60IN
		<b>TEMP DANFOSS TO RETURN PLUMBING</b>	
	013-702636	HOSE 1 RED	18IN
		<b>GLY CIRC HTR TO HE</b>	
	013-702636	HOSE 1 RED	35IN
		<b>ISOLATION VLV TO HE RETURN PLUMBING</b>	
	013-700267	HOSE 2 VERSIFLO CW WIRE HELIX	24IN
		<b>HE SUPPLY PLUMBING TO PUMP INLET</b>	
	013-700267	HOSE 2 VERSIFLO CW WIRE HELIX	28IN
		<b>BURNER TO AIR/FUEL PRE HTR</b>	
	013-702615	DUCT FLEX 6INX25FT THERMAFLEX	60IN
		<b>FUEL LINES</b>	
	004-905798	FUEL LINE 3/8X65IN STR/90DEG #6JICF SWVL ENDS	1
	004-905230	FUEL LINE 3/8X47IN #6JICF STR SWVL	1
	004-903076	FUEL LINE 3/8X66IN 1/4NPTM X #6JICF SWVL END	1
	004-903053	FUEL LINE 3/8X19IN STR/90DEG #6JICF SWVL ENDS	1
	004-902256	FUEL LINE 3/8X16IN #6JICF SWVL 1/4NPTM ST	1



**Central Mobile Enclosure  
HCP Series  
Decals**

S/N: 183701 -  
S/N:Current  
PAGE: 8.1.1



Item No.	Part No.	Description	Qty.
1A	003-903758	DECAL HEAT CENTER PRO 58.5X14.4	1
1B	003-906456	DECAL HEAT CENTER PRO 58.5X18	1
2A	003-903763	DECAL HEAT CENTER PRO 44X10.86	3
2B	003-906457	DECAL HEAT CENTER PRO 44X13.58	3
3A	003-905788	DECAL WWW.DRYAIR.CA 15X1.77 BLUE	2
3B	003-906458	DECAL WWW.DRYAIR.CA 15X1.77	2
4A	003-700057	DECAL DRYAIR 20X3.35 05 BLUE VINYL R1	3
4B	003-906460	DECAL DRYAIR 20X3-5/16 NEW BLUE	3
5	003-905648	DECAL ELEC SCHEM 900-HCP	1
6	003-905671	DECAL TROUBLESHOOTING 900-HCP	1
7	003-906743	DECAL QR OP MAN 900 HCP	1
8	003-906863	DECAL QR VIDEOS 900HCP	1

1



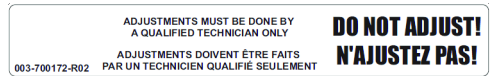
2



3



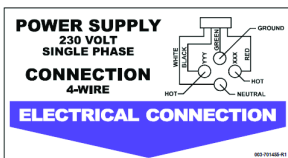
4



5



6



7



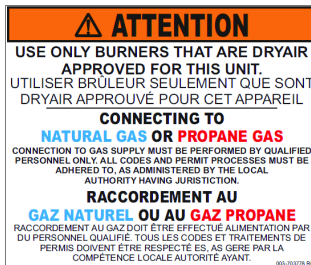
8



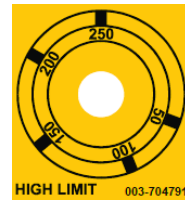
9



10



11



Item No.	Part No.	Description	Qty.
1	003-700159	DECAL SAFETY FIRST	1
2	003-701454	DECAL HTF FLUID LEVELS	1
3	003-700162	DECAL DNGR 220V	1
4	003-700172	DECAL DO NOT ADJ	3
5	003-702653	DECAL DIFFUSION TAPE 1IN X 6IN	1
6	003-701455	DECAL ELEC 4WIRE HOOKUP	1
7	003-702430	DECAL FUEL/WATER FLTR MOD 2100	1
8	003-703771	DECAL CONN FUEL LINES MOD2100-DG	1
9	003-703323	DECAL MADE IN CANADA 1.5x3	1
10	003-703778	DECAL WNG BURNER USED & GAS SPLY	1
11	003-704791	DECAL HI LIMIT TEMP SETTING	1



# Central Mobile Enclosure HCP Series Decals

S/N: 183701 -  
S/N:Current  
PAGE: 8.1.3

1

ATTENTION!

This Unit is Certified to CSA & UL Standards for use as a NON-PRESSURE VESSEL

Cet appareil est certifié aux normes de CSA et UL pour l'utilisation comme un NAVIRE SANS PRESSION

- The unit includes an open atmospherically vented expansion tank.
- The expansion tank is integrally connected to the heat-exchange section of the water heater by means of a permanently open line (no valves).
- The heat exchange section connects to the inlet side of the circulating pump and therefore, only neutral atmospheric pressure is present within the heat exchange section.

- L'appareil inclut un couvercle réservoir d'expansion atmosphérique ventilé.
- Le réservoir d'expansion est relié intégralement à la section d'échange de chaleur du chauffe-eau au moyen d'une ligne ouverte en permanence (pas de vannes).
- La section d'échange de chaleur se connecte à la côté d'entrée de la pompe de circulation et donc, seulement la pression atmosphérique neutre est présent à l'intérieur de la section d'échange de chaleur.

003-900454R01

2

WARNING  
ATTENTION

NOT FOR LIFTING OR TIE DOWN.  
HOOKS ARE FOR MANUFACTURING USE ONLY!

PAS POUR LE LEVEGE OU ARRIMAGE.  
LES CROCHETS SONT POUR USAGE DE FABRICATION SEULEMENT!

003-901162R01

3

Burner Lockout

Upon initial startup or in the event of a low fuel or gas incident the burner may lock out. The reset button on the burner front will be glowing orange/red.

Proceed as follows:

- Ensure all fuel/gas supply valves are open and that there are no leaks.
- Insure (if equipped) Low Gas Pressure switch and High Gas Pressure switch have been reset.
- Depress Burner reset button. Burner should run and initiate firing sequence.
- If Burner fails to light, the Burner will lockout again.

Multiple resets may be required to purge air from the fuel source.

FOR ADDITIONAL ASSISTANCE, CALL 1(888) 750 1700

003-905289

4

**⚠ WARNING!**  
RISK OF ELECTRIC SHOCK!  
KEEP EXTENSION CORD CONNECTION DRY AND OFF THE GROUND.

**⚠ ATTENTION!**  
RISQUE DE CHOC ELECTRIQUE!  
GARDEZ LE RAPPORT DE RALLONNE ELECTRIQUE SEC ET HORS DE LA TERRE.

5

H H N N N 5 6 7 8 9 10

---

003-905075

---

H H N N N 5 6 7 8 9 10

6

AUX. FUEL CONNECTIONS

- Use #1 or #2 diesel fuel only.
- Return line must be connected for proper burner operation.

SUPPLY

RETURN

003-905662 R01

7

PROPYLENE GLYCOL  
HEAT TRANSFER FLUID

DOWFROST 100%

DOWFROST 60/40

DOWFROST 50/50

DOWFROST 30/70

CHIR (BOSS) 100%

CHIR (BOSS) 60/40

CHIR (BOSS) 50/50

CHIR (BOSS) 30/70

TOxic MATERIAL PRECAUTIONS: May be fatal if swallowed. Causes severe skin irritation. Avoid contact with skin and eyes. In case of contact, wash immediately with plenty of water. Do not use open flame. Do not use in enclosed spaces. Do not use in confined spaces. Do not use in areas where fire or explosion is a hazard. Do not use in areas where high temperatures are present. Do not use in areas where high pressures are present. Do not use in areas where high vibrations are present. Do not use in areas where high speeds are present. Do not use in areas where high accelerations are present. Do not use in areas where high decelerations are present. Do not use in areas where high forces are present. Do not use in areas where high moments are present. Do not use in areas where high torques are present. Do not use in areas where high stresses are present. Do not use in areas where high strains are present. Do not use in areas where high deformations are present. Do not use in areas where high displacements are present. Do not use in areas where high rotations are present. Do not use in areas where high oscillations are present. Do not use in areas where high vibrations are present. Do not use in areas where high accelerations are present. Do not use in areas where high decelerations are present. Do not use in areas where high forces are present. Do not use in areas where high moments are present. Do not use in areas where high torques are present. Do not use in areas where high stresses are present. Do not use in areas where high strains are present. Do not use in areas where high deformations are present. Do not use in areas where high displacements are present. Do not use in areas where high rotations are present. Do not use in areas where high oscillations are present.

FIRST AID: In case of eye contact, flush with copious amounts of water for at least 15 minutes. In case of skin contact, wash immediately with plenty of water. In case of inhalation, move to fresh air and breathe normally. In case of ingestion, do not induce vomiting. Seek medical attention immediately.

SPECIAL PRECAUTIONS: Do not use in areas where fire or explosion is a hazard. Do not use in areas where high temperatures are present. Do not use in areas where high pressures are present. Do not use in areas where high vibrations are present. Do not use in areas where high speeds are present. Do not use in areas where high accelerations are present. Do not use in areas where high decelerations are present. Do not use in areas where high forces are present. Do not use in areas where high moments are present. Do not use in areas where high torques are present. Do not use in areas where high stresses are present. Do not use in areas where high strains are present. Do not use in areas where high deformations are present. Do not use in areas where high displacements are present. Do not use in areas where high rotations are present. Do not use in areas where high oscillations are present.

MATERIAL SAFETY DATA SHEET AVAILABLE: The product name, chemical composition, and other information are available in the Material Safety Data Sheet (MSDS) for this product. The MSDS is available on our website at [www.univar.com](http://www.univar.com).

**UNIVAR**

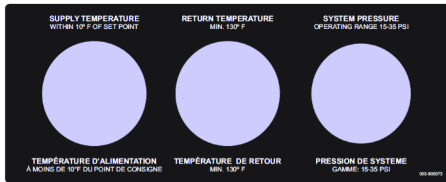
UNIVAR SOLUTIONS (DOWFROST)  
Dublin, OH 43016 | Edmonton, AB  
1-800-331-1700 | 1-800-888-8646  
[www.univarsolutions.com](http://www.univarsolutions.com)

**BOSS LUBRICANTS**  
Calgary, Alberta T2C 1R4  
1-800-844-6477  
[www.bosslubricants.com](http://www.bosslubricants.com)

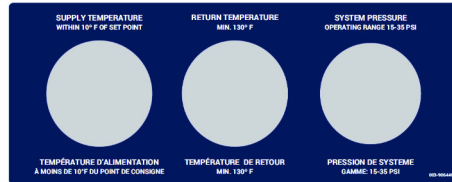
003-906384

Item No.	Part No.	Description	Qty.
1	003-900454	DECAL NON-PRESS-VESSEL 4X4.5	1
2	003-901162	DECAL NOT FOR LIFTING OR TIE DOWN	4
3	003-905289	DECAL BURNER LOCKOUT	1
4	003-903355	DECAL WARNING EXT CORD SHOCK	1
5	003-905075	DECAL TERM STP HHNNN5-10 .531 SPCG	1
6	003-905662	DECAL FUEL CON 900-HCP	1
7	003-906384	DECAL GLYCOL SAFETY	1

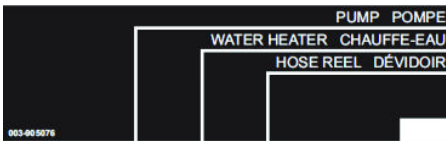
1A



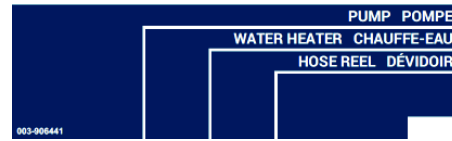
1B



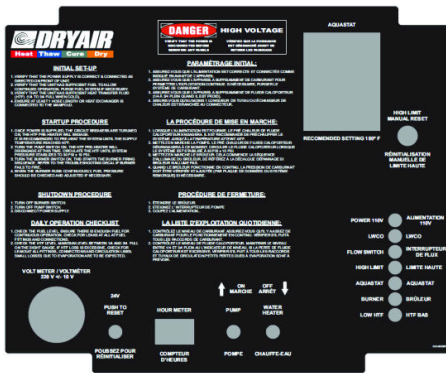
2A



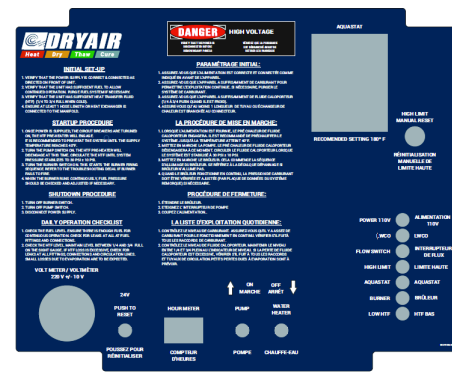
2B



3A



3B



4



5



6



7



8

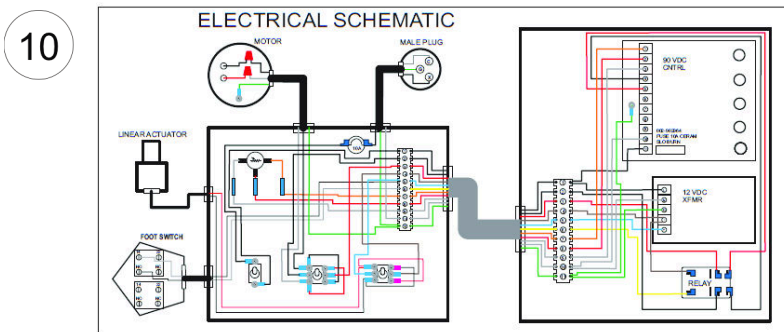
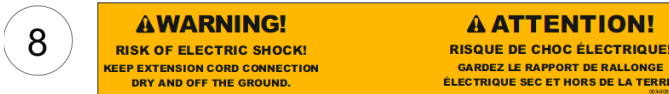
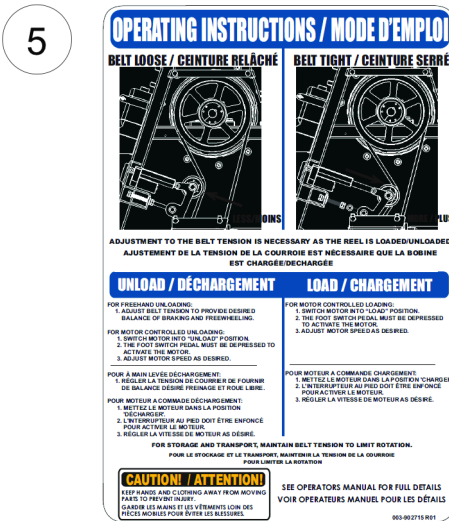
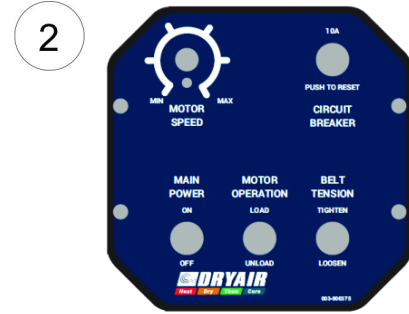


Item No.	Part No.	Description	Qty.
1A	003-905073	DECAL GAUGE PNL 650GTS	1
1B	003-906440	DECAL BLUE GAUGE PNL 650GTS	1
2A	003-905076	DECAL BRKR IDENT 650GTS	1
2B	003-906441	DECAL BLUE BRKR IDENT 650GTS	1
3A	003-905657	DECAL CNTRL PNL 900-HCP	1
3B	003-906454	DECAL BLUE CNTRL PNL 900-HCP	1
4	003-906823	DECAL GND SYMBOL	1
5	003-906839	DECAL ATTN BNR COVER INSTALLED FRENCH ONLY	1
6	003-906842	DECAL DIESEL 2-1/2X1	2
7	003-905267	DECAL PROPANE 2-1/2X1	2
8	003-905268	DECAL NATURAL GAS 2-1/2X1	2



# Central Mobile Enclosure HCP Series Decals

S/N: 183701 -  
S/N: Current  
PAGE: 8.1.5



Item No.	Part No.	Description	Qty.
1	003-906374	DECAL DRYAIR 9-5/8L 1-1/2W NEW BLUE	1
2	003-906375	DECAL CNTRL FPLATE HRA NEW BLUE	1
3	003-700159	DECAL SAFETY FIRST	1
4	003-702207	DECAL DANGER DO NOT OPERATE	1
5	003-902715	DECAL OPR INSTR HRA	1
6	003-903397	DECAL EXT CORD USE	1
7	003-702648	DECAL DANGER 110V	1
8	003-903355	DECAL WARNING EXT CORD SHOCK	1
9	003-703323	DECAL MADE IN CANADA 1.5x3	1
10	003-902714	DECAL ELEC SCHEM HRA	1



---

Central Mobile Enclosure Heat Center Pro  
S/N: 183701 - Current

Part No. 023-905949  
Rev. 01 05-02-2023