



Heat

Dry

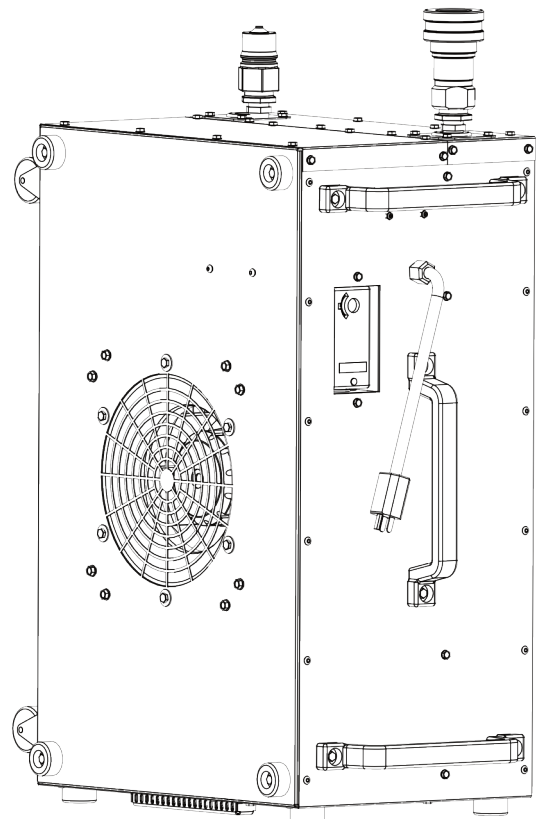
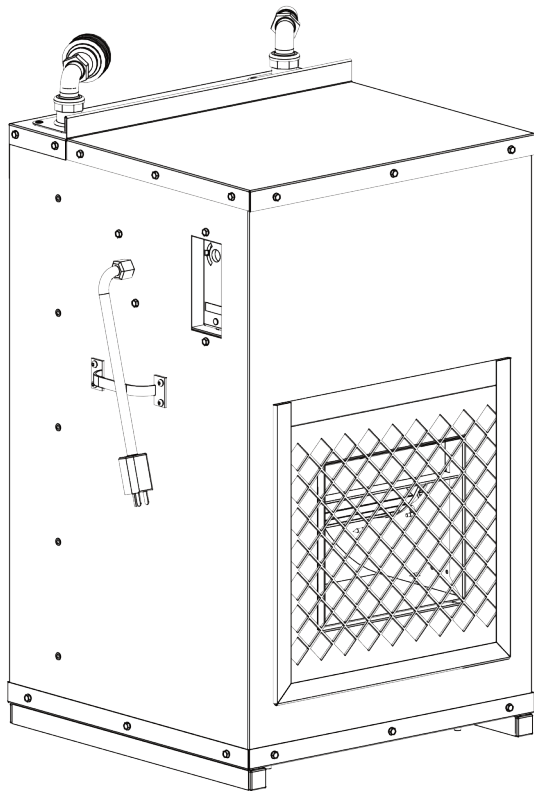
Thaw

Cure

PARTS CATALOGUE

HEFA Fan Coil

Model 80



DRYAIR MANUFACTURING CORP.
PO BOX 126, 400 SERVICE ROAD
ST. BRIEUX, SK S0K 3V0
CANADA
www.dryair.ca

Tel: 1 (306) 275-4848
Toll-Free: 1 (888) 750-1700
Fax: 1 (306) 275-4664
Email: parts@dryair.ca



Heat

Dry

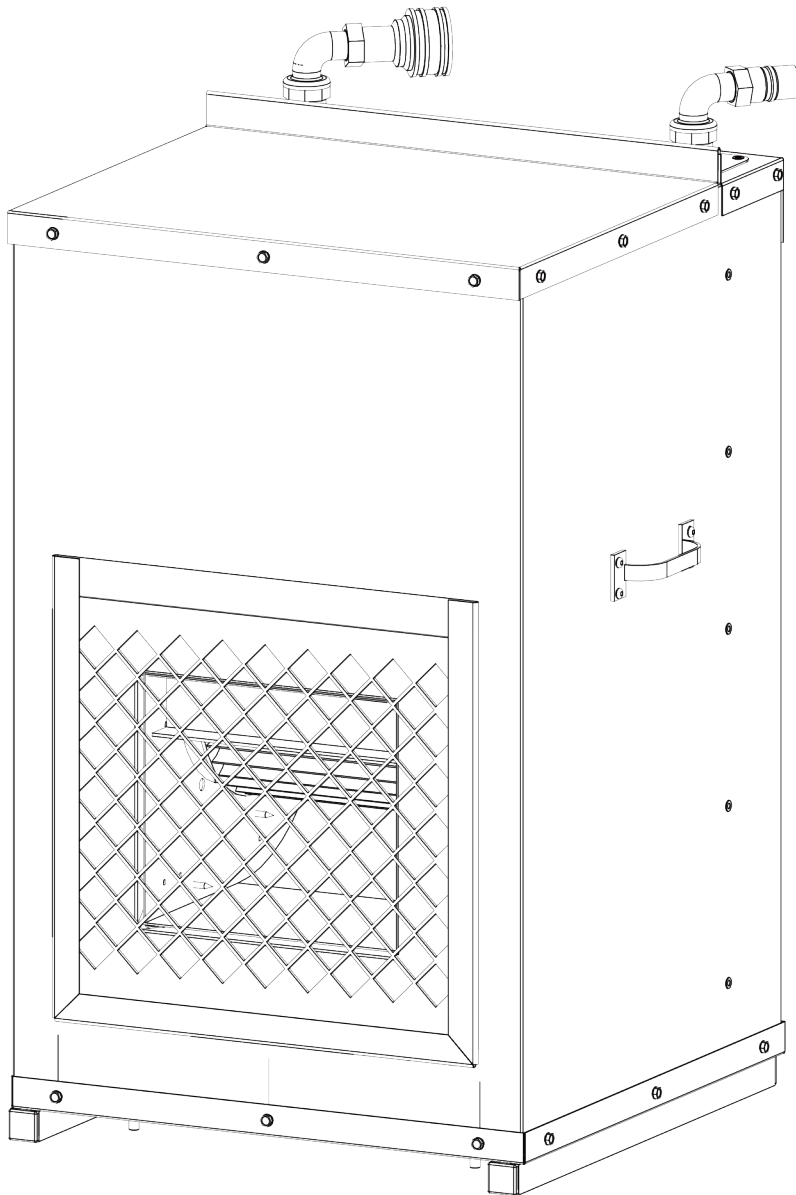
Thaw

Cure

PARTS CATALOGUE

HEFA Fan Coil

Model 80



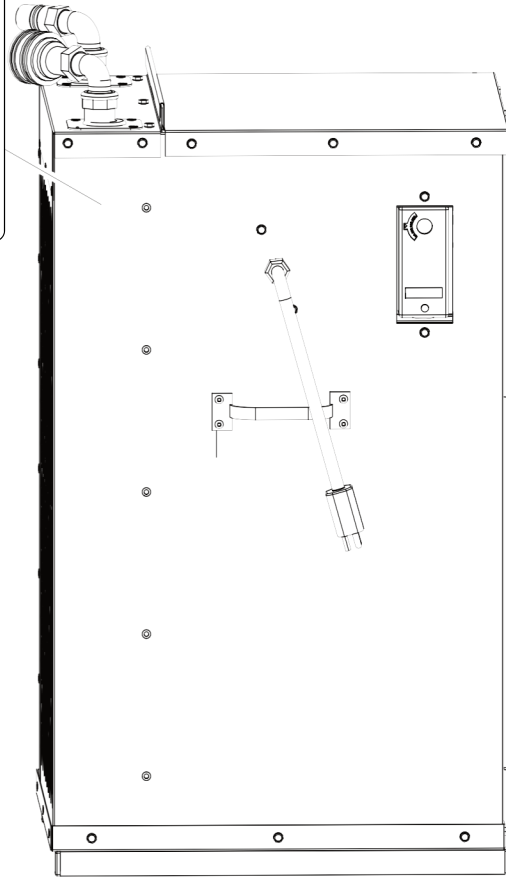
DRYAIR MANUFACTURING CORP.
PO BOX 126, 400 SERVICE ROAD
ST. BRIEUX, SK S0K 3V0
CANADA
www.dryair.ca

Tel: 1 (306) 275-4848
Toll-Free: 1 (888) 750-1700
Fax: 1 (306) 275-4664
Email: parts@dryair.ca



HEFA Fan Coil Model 80 Serial Number Location

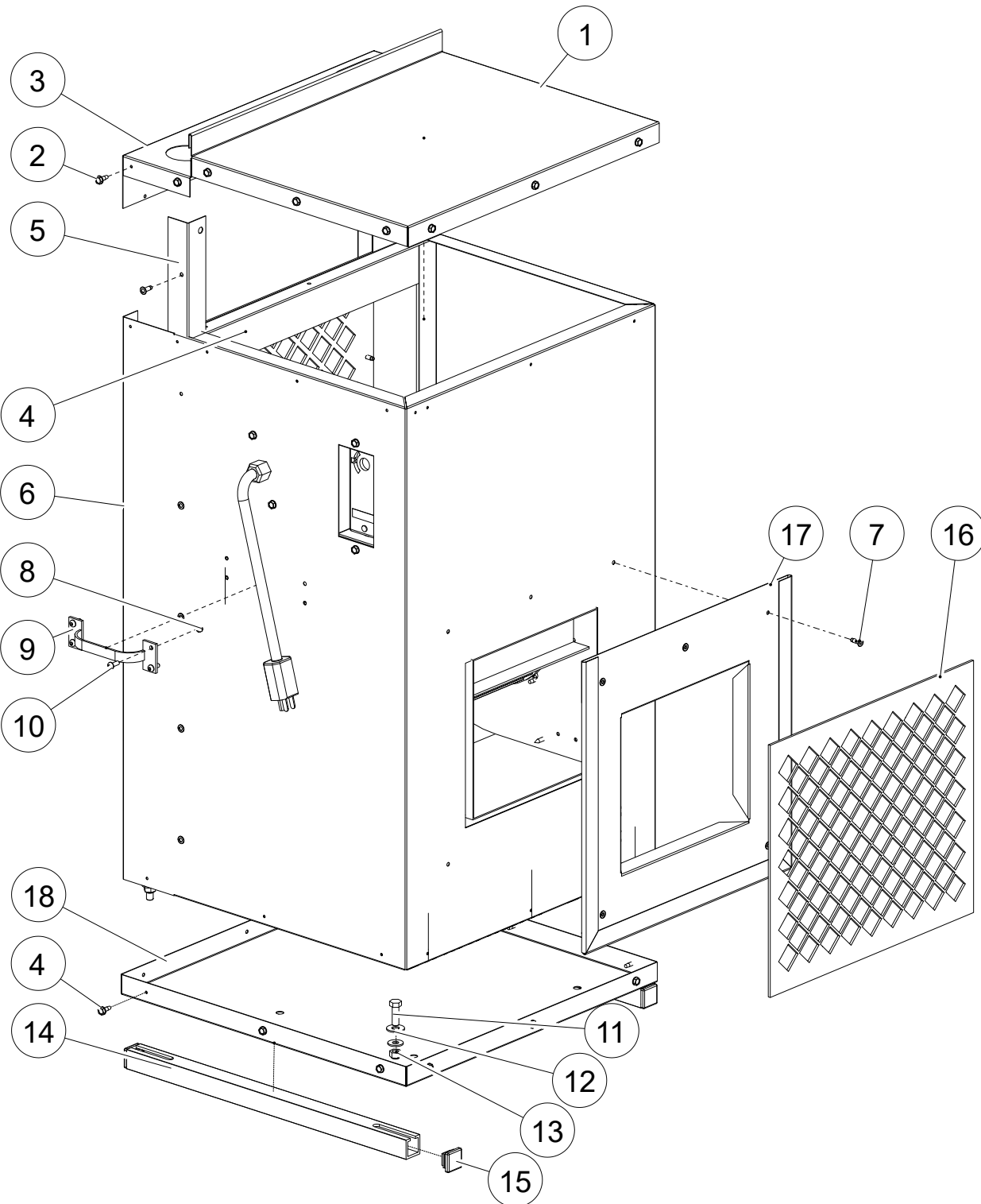
P.O. Box 126 400 Service Road St. Entoux, SK Canada	
Model / Modèle:	
Production Schedule / Calendrier de Production:	
Reference / Référence:	
Motor Data / Données Moteur	
HP	
Volts	
Hz	60
Ambient / Ambiant	60°C
RPM	
Max. Ampacity / Max. Ampacité:	
Speed / Vitesse:	
Certified for Indoor and Outdoor Use / Certifié pour l'utilisation à l'intérieur et à l'extérieur	
	Max. Inlet Water Temperature / Température Maximale de L'eau d'Entrée: 85°C
003-903386 R01	





**HEFA Fan Coil
Model 80
Table of Contents**

Cabinet	1.1.1
Fan	1.1.3
Blower	2.1.1
Coil	3.1.1
Electrical	4.1.1
Decals	5.1.1



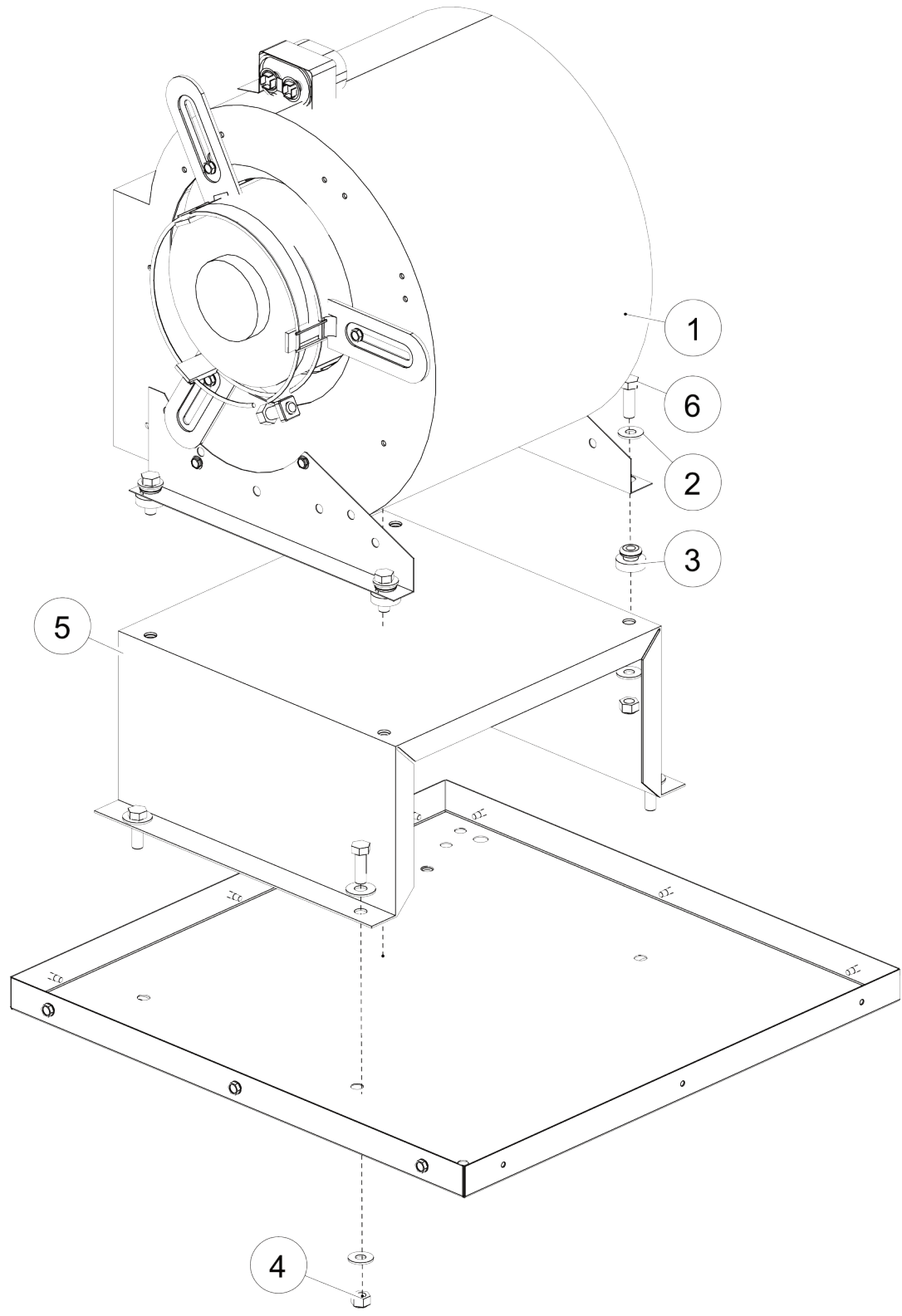
Cabinet



**HEFA Fan Coil
Model 80
Cabinet**

S/N: 1029-01 -
S/N: Current
PAGE: 1.1.2

Item No.	Part No.	Description	Qty.
1	004-701202	TOP BIG MOD80 FAN/COIL	1
2	001-700630	SCRW D/T 10-16X1/2 5/16HEX HD PLD	22
3	004-701203	TOP SM MOD80 FAN/COIL	1
4	004-701860	TOP STIFFENER MOD 80 FAN/COIL R04	1
5	004-701196	STIF MOD80 FAN/COIL	1
6	004-701197	BOX MAIN MOD80 FAN/COIL	1
7	001-700803	RIVET 5/32 GRP .3125-.375 SS	23
8	001-900216	NUT 3/16	8
9	017-701302	HNDL PRSD STL 5-3/4 4H ZINC PLD	2
10	001-700806	SCRW MACH 10-24X1/2	8
11	001-700743	BOLT 5/16X1 PLD GR5	4
12	001-700742	WSHR FLT 5/16 PLD	8
13	001-700741	NUT LKG NYL 5/16 UNC PLD	4
14	004-701341	LEG AL 1X1X.120W 18L CW SLOTS	2
15	016-700718	CAP PLSTC BLK 1X1X100W TBG	4
16	004-701205	SCREEN SM MOD80 FAN/COIL	1
17	004-701199	INTAKE MOD80 FAN/COIL R03	1
18	004-701189	BASE MOD80 FAN/COIL	1

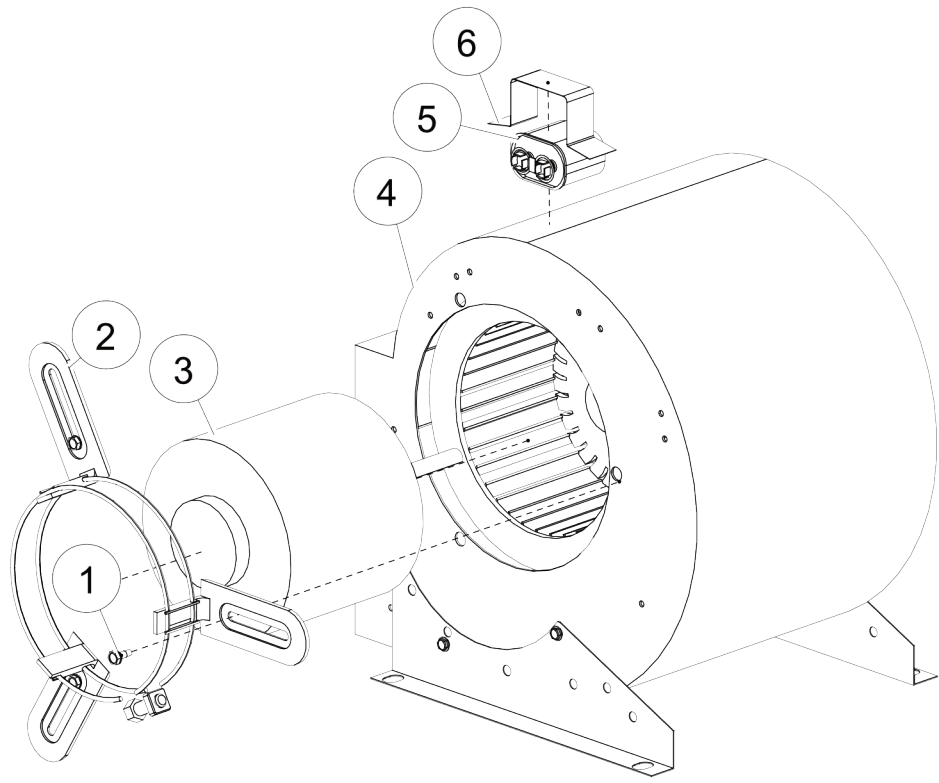




**HEFA Fan Coil
Model 80
Fan**

S/N: 1029-01 -
S/N: Current
PAGE: 2.1.2

Item No.	Part No.	Description	Qty.
1		BLOWER - see page 2.1.3	
2	001-700742	WSHR FLT 5/16 PLD	16
3	006-704803	DELHI GROMMET	4
4	001-700741	NUT LKG NYL 5/16 UNC PLD	8
5	004-701200	MNT BLOWER MOD80 FAN/COIL	1
6	001-700743	BOLT 5/16X1 PLD GR5	8

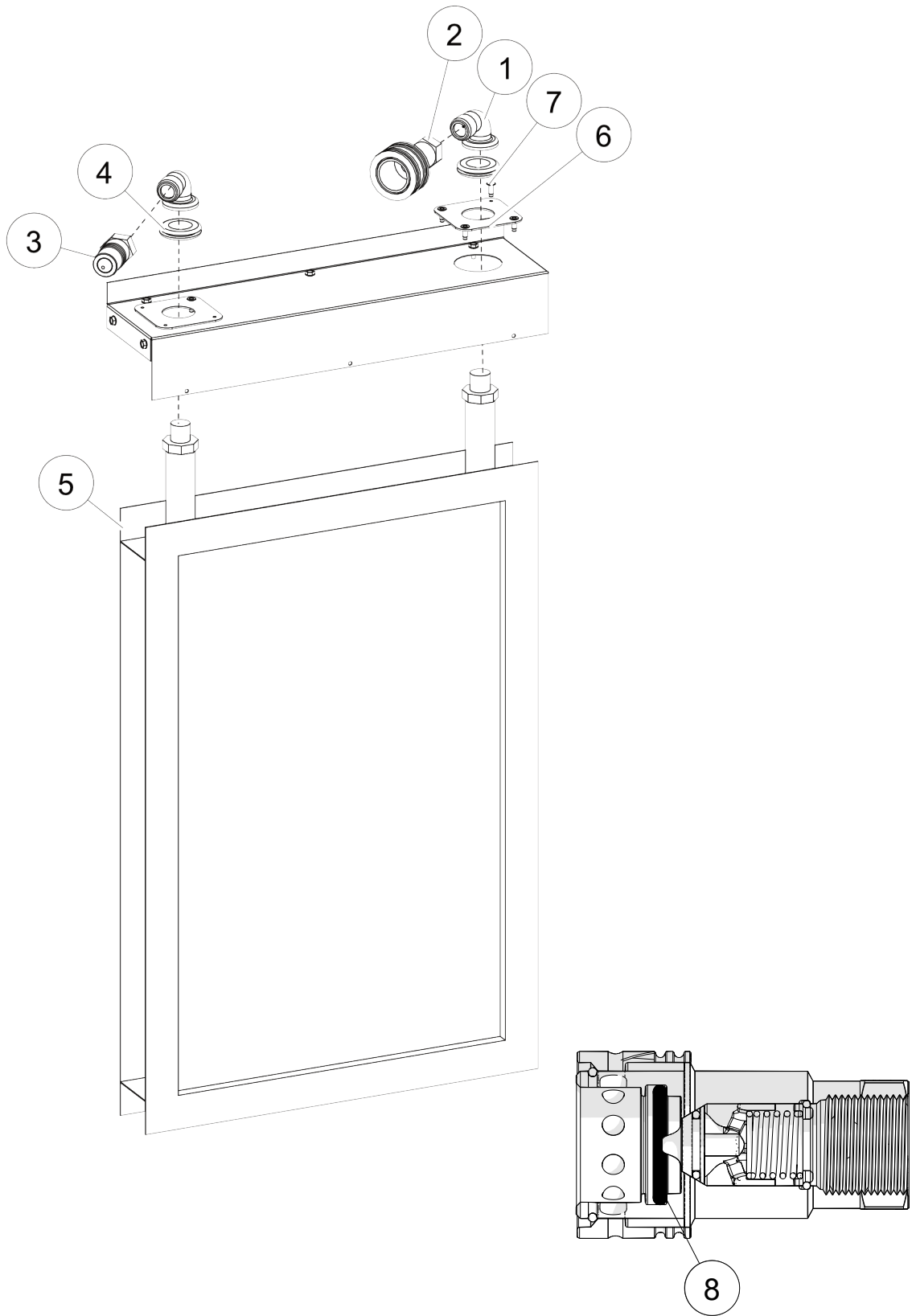




HEFA Fan Coil Model 80 Blower

S/N: 1029-01 -
S/N: Current
PAGE: 2.1.4

Item No.	Part No.	Description	Qty.
1	001-700630	SCRW D/T 10-16X1/2 5/16HEX HD PLD	3
2	012-701140	BRKT MTG MOTOR 1/4HP	1
3	012-701138	MOTOR ELEC 1/4HP 115V 1050RPM	1
4	018-900662	BLOWER DELHI G7DD WITH THD INSERTS	1
5	012-701139	CAPACITOR 7-1/2MFD 370VAC 1/4HP MOTOR <small>(SN 1029-01 - 1068-01)</small>	1
	012-702413	CAPACITOR 5MFD 370VAC 1/4HP MOTOR <small>(SN 1068-01 - Current)</small>	1
6	010-701257	STRP CAPACITOR	1

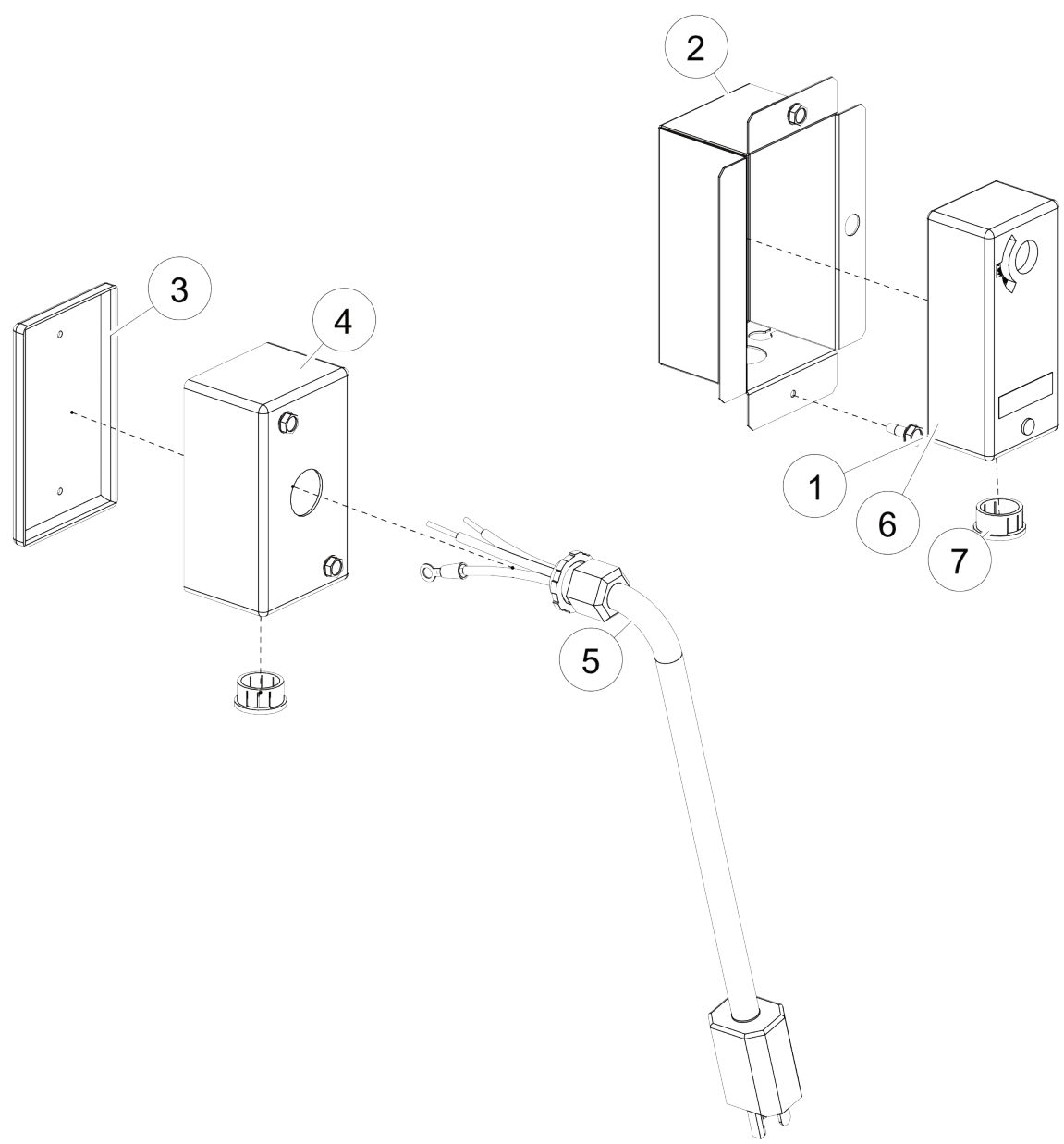




**HEFA Fan Coil
Model 80
Coil**

S/N: 1029-01 -
S/N: Current
PAGE: 3.1.2

Item No.	Part No.	Description	Qty.
1	011-702414	ELB ST 3/4X90DEG BRS NPT	2
2	011-701518	QC CPLR 3/4 BRS NPTF	1
3	011-701517	QC NIPL 3/4 BRS NPTF	1
4	009-700192	GROM 1X1-3/8 RBR MOD 80 COIL	2
5	012-701130	COIL WTR 4WS2D-12TX24 41008 PCRA	1
6	004-702300	PLT COIL CVR MOD80	2
7	001-700803	RIVET 5/32 GRP .3125-.375 SS	8
8A	006-702958	O-RING 3/4IN QC CPLR (.101) (HANSEN)	1
8B	006-704311	O-RING 3/4IN QC CPLR (.141) (PARKER & DIXON)	1





**HEFA Fan Coil
Model 80
Electrical**

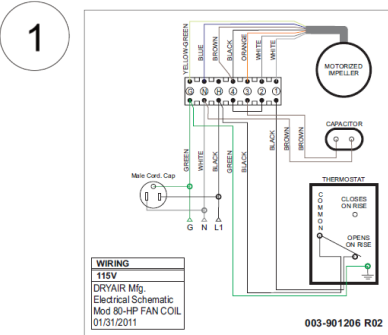
S/N: 1029-01 -
S/N: Current
PAGE: 4.1.2

Item No.	Part No.	Description	Qty.
1	001-700630	SCRW D/T 10-16X1/2 5/16HEX HD PLD	3
2	004-900075	BOX SM MOD200 FAN/COIL R03	1
3	002-700698	CVR BOX UTIL 2X4	1
4	002-800031	BOX HANDY 4X2 1/2KO	1
5	018-701249	PKG CORD 14/3X12	1
6	005-701111	THERMO JOHNSON CONT A19ABA	2
7	002-701115	BSHG KO 1/2	1



HEFA Fan Coil Model 80 Decals

S/N: 1029-01 -
S/N: Current
PAGE: 5.1.1



3

ATTENTION!
USE AN APPROPRIATE
EXTENSION CORD FOR THIS UNIT.
UTILISER UNE RALLONGE
APPROPRIÉE POUR CET APPAREIL.

4

**CHECK COILS
REGULARLY AND
CLEAN WHEN
REQUIRED**
SEE YOUR OPERATOR'S
MANUAL FOR DETAILS
700185

5

CAUTION !
HOT SURFACE & FLUID LINES
20°C (68°F) FLUID TEMPERATURE.
PRECAUTIONS MUST BE TAKEN TO PREVENT INJURY FROM
PHYSICAL CONTACT WITH THE HEAT TRANSFER FLUID &
CONNECTION LINES.
PROTECTIVE EYEWEAR & GLOVES MUST BE WORN AT ALL
TIMES WHEN HANDLING.
SHUT OFF BALL VALVES BEFORE CONNECTING AND
DISCONNECTING.

ATTENTION !
SURFACE & FLUIDE CHAUDE!
40°C (104°F) TEMPERATURE DE LIQUIDE.
PRÉCAUTIONS DOIVENT ÊTRE PRISES POUR PRÉVENIR
LES BLESSURES.
CONTACT PHYSIQUE AVEC LE FLUIDE DE TRANSFERT DE
CHALEUR & LIGNES DE CIRCULATION.
LUNETTES ET GANTS DE PROTECTION DOIVENT ÊTRE
PORTÉS À TOUTES LES LOIS DE LA MANIPULATION.
COURTES NORMES AVANT DE CONNECTER ET OU
DE DÉCONNECTER.

6

CAUTION / ATTENTION
**NON- EXPLOSION
PROOF MOTORS**
OPERATION OF THIS UNIT IN AN
ENVIRONMENT CONTAINING IGNITABLE
VAPORS MAY CAUSE AN EXPLOSION!
**PAS UN MOTEUR
ANTI-EXPLOSION**
FONCTIONNEMENT DE CET APPAREIL DANS
UN ENVIRONNEMENT CONTENANT VAPEURS
INFLAMMABLES PEUT PROVOQUER UNE EXPLOSION.

7

WARNING !
**RISK OF ELECTRIC SHOCK CAN
CAUSE INJURY OR DEATH:
DISCONNECT ALL REMOTE
ELECTRIC POWER SUPPLIES
BEFORE SERVICING**
**RISQUE D'ÉLECTROCUTION CAUSE
DE BLESSURES OU DE MORT:
DISCONNECT TOUT REMOTE
ALIMENTATION ÉLECTRIQUE
AVANT D'ENTRETIEN**

8

G	N	H	4	3	2	1
G	N	H	4	3	2	1

003-901207

9

WARNING!
RISK OF ELECTRIC SHOCK!
KEEP EXTENSION CORD CONNECTION
DRY AND OFF THE GROUND.

ATTENTION!
RISQUE DE CHOC ÉLECTRIQUE!
GARDEZ LE RAPPORT DE RALLONGE
ÉLECTRIQUE SEC ET HORS DE LA TERRE.

10

TESTED 003-703643

Date	Initial	Test

11

**WARM
SUPPLY
AIR**

701103

12

**INTAKE
AIR**

701104

Item No.	Part No.	Description	Qty.
1	003-901206	DECAL ELEC SCHEM MOD 80HP FAN COIL	1
2	003-700732	DECAL DRYAIR 16X2.68 05 BLUE VINYL R1	2
3	003-903397	DECAL EXT CORD USE	1
4	003-700185	DECAL CHK COIL RGLR 2-1/2X1-1/2	1
5	003-701524	DECAL CAUTION GLY SHUT VLV	1
6	003-701102	DECAL CAUT NONEXPLN PROOF	1
7	003-903845	DECAL WARNING RISK OF SHOCK	1
8	003-901207	DECAL VINYL XTERM GNH4321 HORZ	1
9	003-903355	DECAL WARNING EXT CORD SHOCK	1
10	003-703643	DECAL TESTED DATE/INIT/TEST	1
11	003-701103	DECAL WARM AIR SPLY	1
12	003-701104	DECAL INTAKE AIR	1



HEFA Fan Coil Model 80
S/N: 1029-01 - Current

Part No. 023-906398
Rev. 01 05-02-2023



Heat

Dry

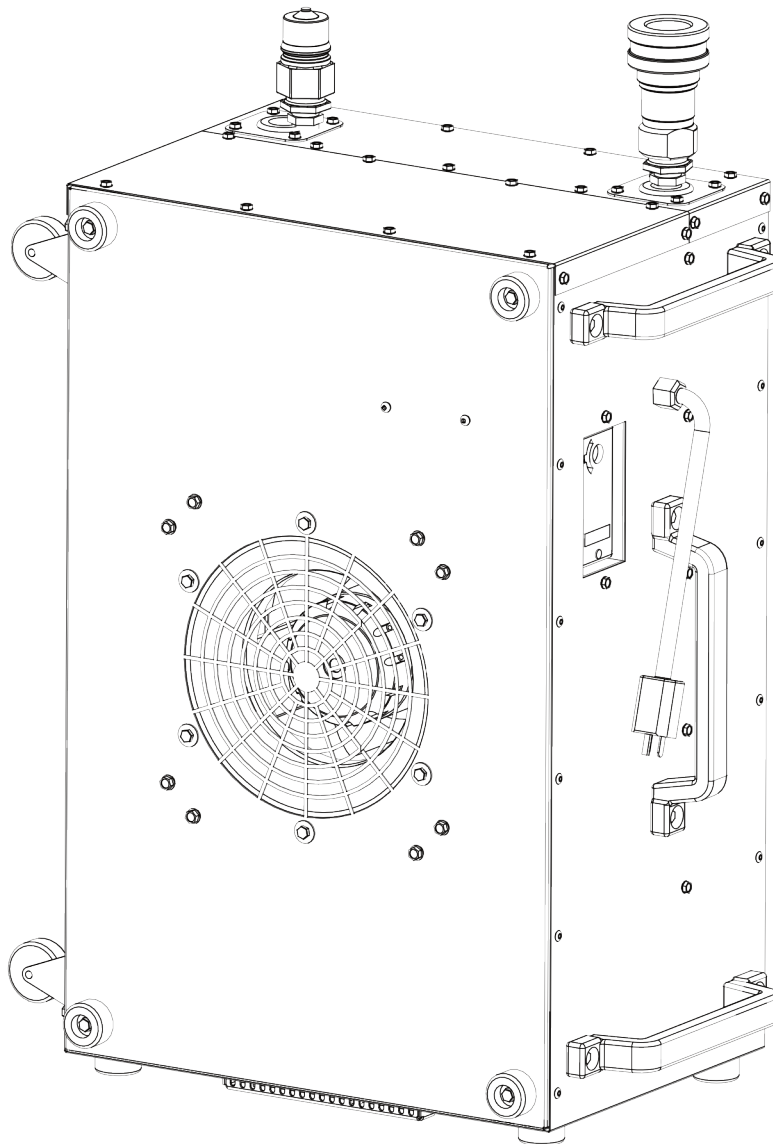
Thaw

Cure

PARTS CATALOGUE

HEFA Fan Coil

Model 80 Slimline

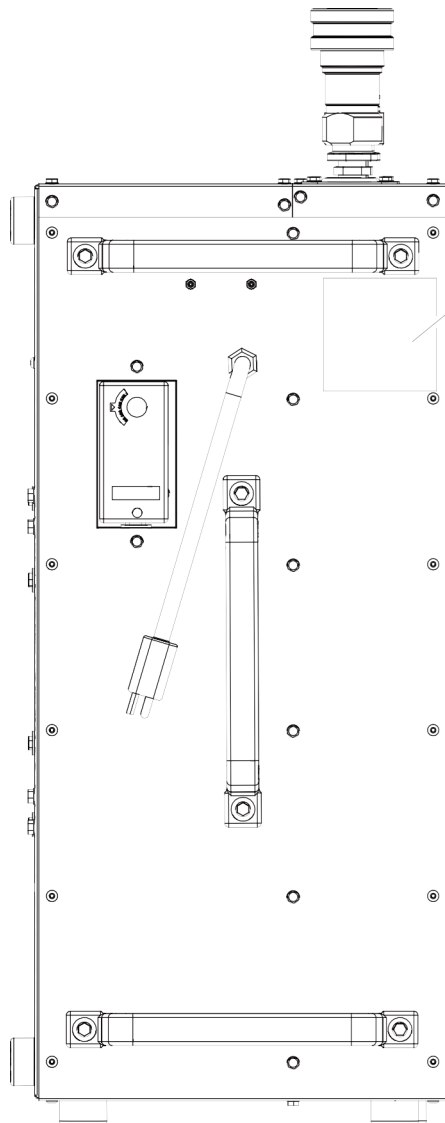



DRYAIR MANUFACTURING CORP.
PO BOX 126, 400 SERVICE ROAD
ST. BRIEUX, SK S0K 3V0
CANADA
www.dryair.ca

Tel: 1 (306) 275-4848
Toll-Free: 1 (888) 750-1700
Fax: 1 (306) 275-4664
Email: parts@dryair.ca



HEFA Fan Coil Model 80





 P.O. Box 126
 400 Service Road
 St. Brevin, Sk.
 Canada

Model / Module:	
Production Schedule / Calendrier de Production:	
Reference / Référence:	

Motor Data / Données Moteur	
HP	
Volts	
Hz	60
Ambient / Ambient	60°C
RPM	
Max. Ampacity / Max. Ampacité:	
Speed / Vitesse:	

Certified for Indoor and Outdoor Use /
 Certifié pour l'utilisation à l'intérieur et à
 l'extérieur

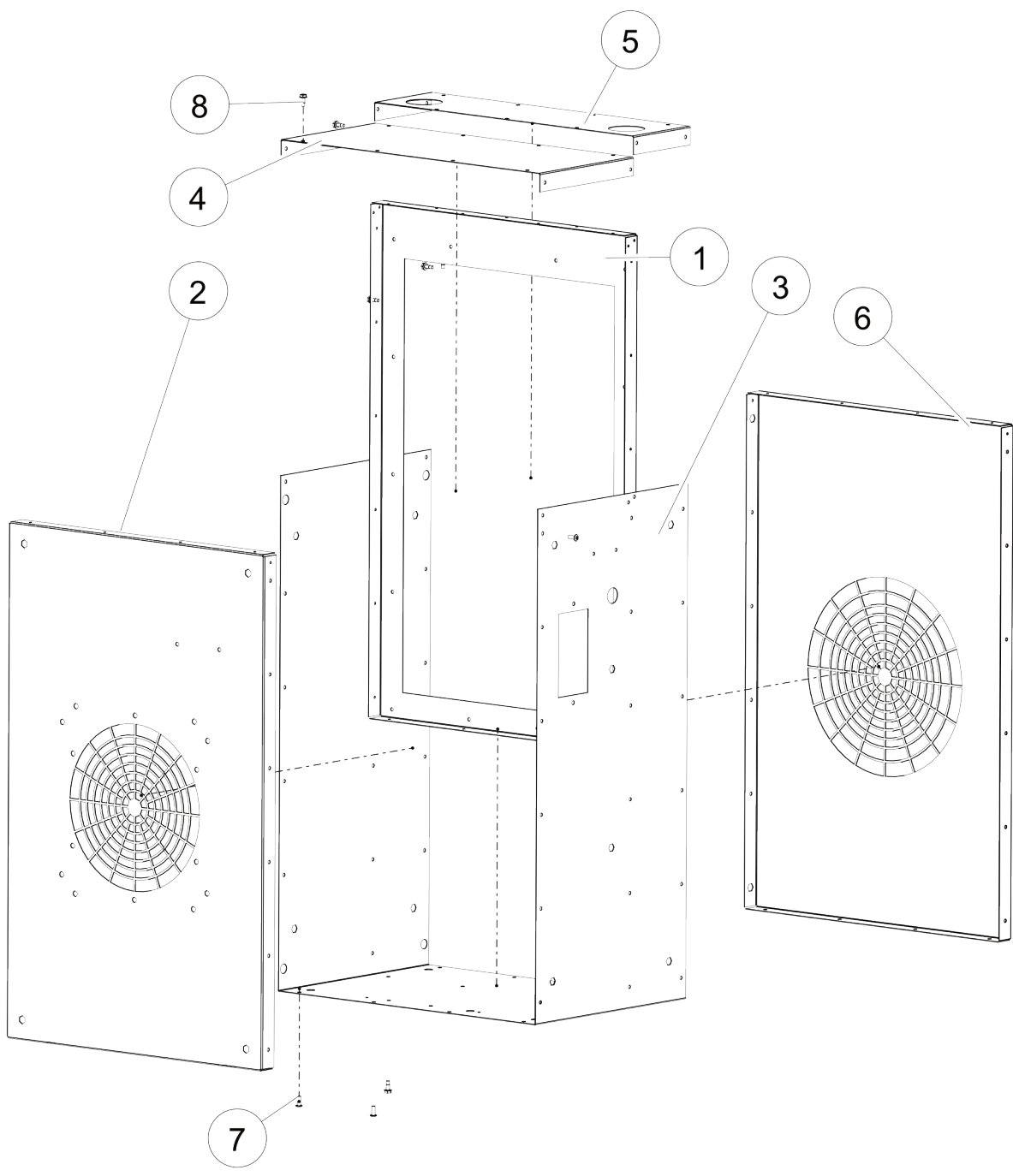
	Max. Inlet Water Temperature / Température Maximale de L'eau d'Entrée:	85°C
---	--	------

003-906398 R01



HEFA Fan Coil Model 80

Cabinet	1.1.1
Exterior Components.....	1.1.3
Fan	2.1.1
Coil	3.1.1
Electrical.....	4.1.1
Decals.....	5.1.1

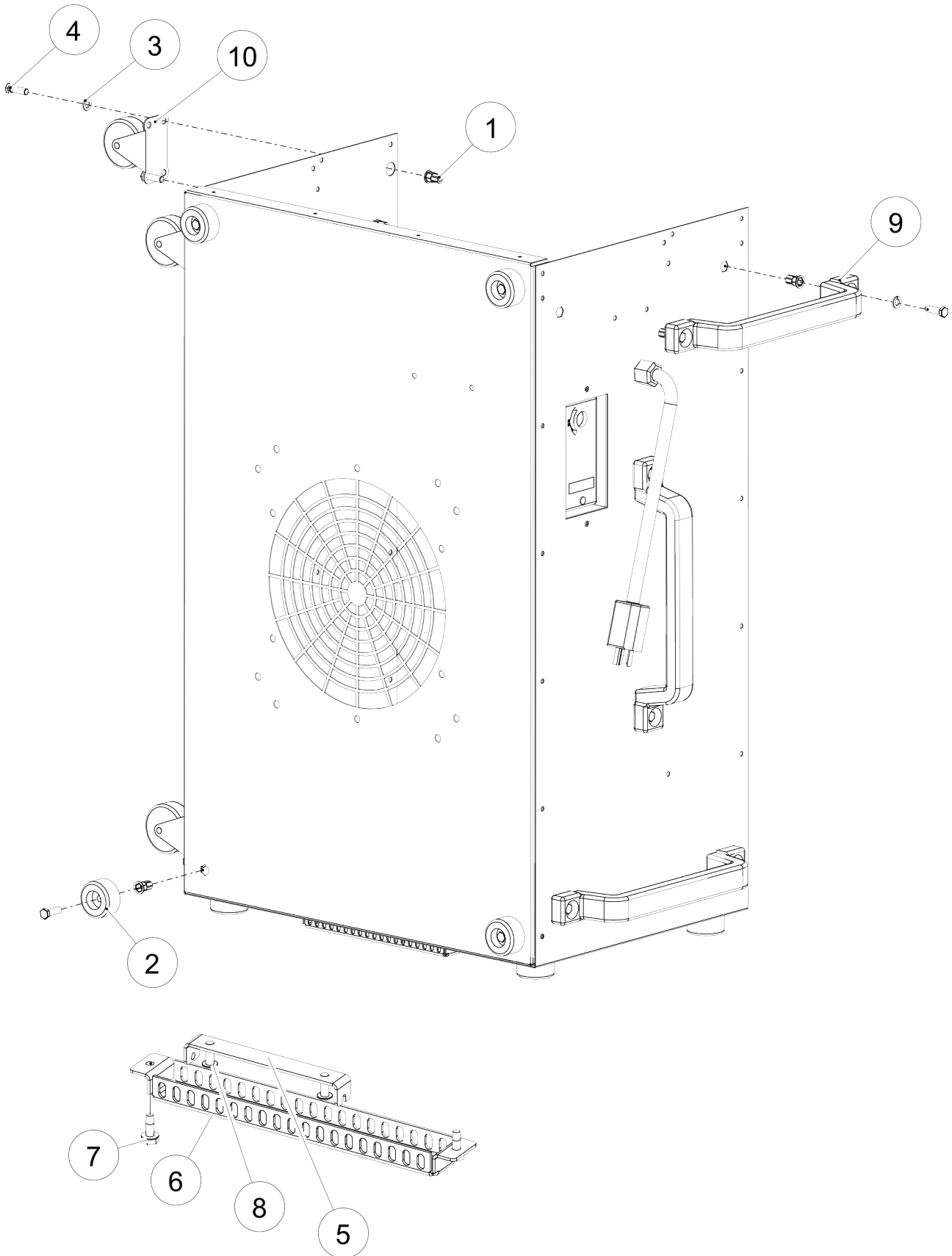




**HEFA Fan Coil
Model 80
Cabinet**

S/N: 1455-01 -
S/N: Current
PAGE: 1.1.2

Item No.	Part No.	Description	Qty.
1	004-901197	PNL BAFFLE MOD 80HP	1
	004-906423	PNL BAFFLE HEFA 80 SS	
2	004-901194	PNL INLET MOD 80HP	1
	004-904448	PNL INLET MOD 80HP SS	1
3	004-901195	PNL BODY MOD 80HP	1
	004-904449	PNL BODY MOD 80HP SS	1
4	004-901198	PNL TOP BIG MOD 80HP	1
	004-904451	PNL TOP BIG MOD 80HP SS	1
5	004-901199	PNL TOP SMALL MOD 80HP	1
	004-904452	PNL TOP SMALL MOD 80HP SS	1
6	004-901196	PNL OUTLET MOD 80HP	1
	004-904450	PNL OUTLET MOD 80HP SS	1
7	001-704738	RIVET 3/16D GRP .251-.375 SS	20
	001-901203	RIVET 5/32 GRP .126 -.250 SS	20
8	001-700630	SCRW D/T 10-16X1/2 5/16HEX HD PLD	39
	001-904456	SCRW D/T 10-16X1/2 5/16HEX HD SS	39

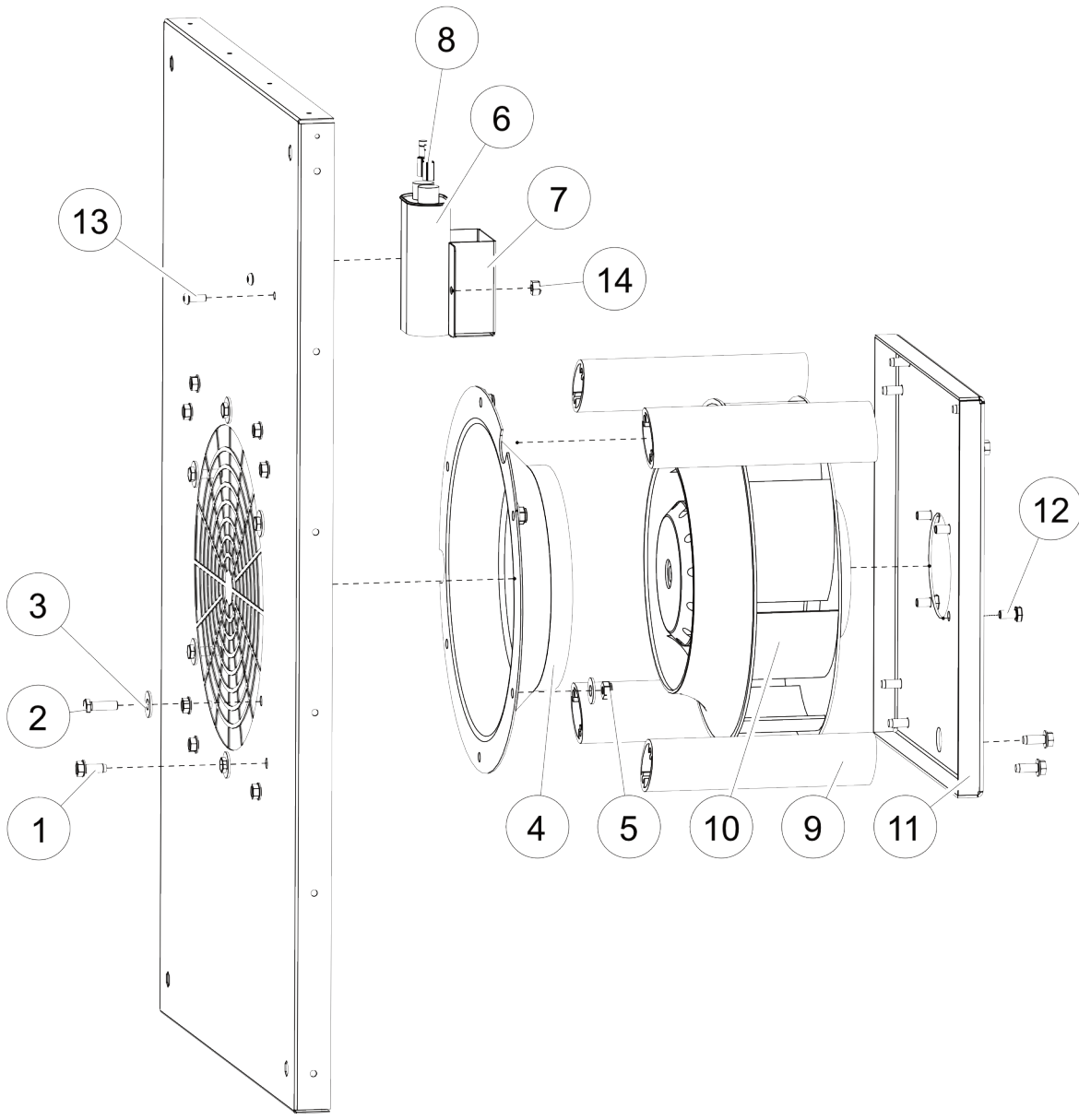




**HEFA Fan Coil
Model 80
Exterior Components**

S/N: 1455-01 -
S/N: Current
PAGE: 1.1.4

Item No.	Part No.	Description	Qty.
1	001-703896	INSERT THD 1/4 UNC HEX BODY	22
2	009-704066	BUMPER RBR 1-1/2OD X 1/4 RECESSED	8
3	001-700934	WSHR LOCK 1/4 PLD	22
4	001-701482	BOLT 1/4X3/4 PLD GR5	22
	001-902418	BOLT 1/4X3/4 SS UNC	22
5	004-901190	BRKT THERMOSTAT BULB SPRT	1
	004-902316	BRKT THERMOSTAT BULB SPRT SS	1
6	004-901191	SHLD THERMOSTAT BULB	1
	004-902302	SHLD THERMOSTAT BULB SS	1
7	001-700630	SCRW D/T 10-16X1/2 5/16HEX HD PLD	2
	001-904456	SCRW D/T 10-16X1/2 5/16HEX HD SS	2
8	001-704738	RIVET 3/16D GRP .251-.375 SS	2
	001-901203	RIVET 5/32 GRP .126 -.250 SS	2
9	017-704065	HNDL 9-7/8 RUBBER COATED	2
10	017-901193	WHEEL CASTER SOLID 2X3/4 POLYURETHANE	4

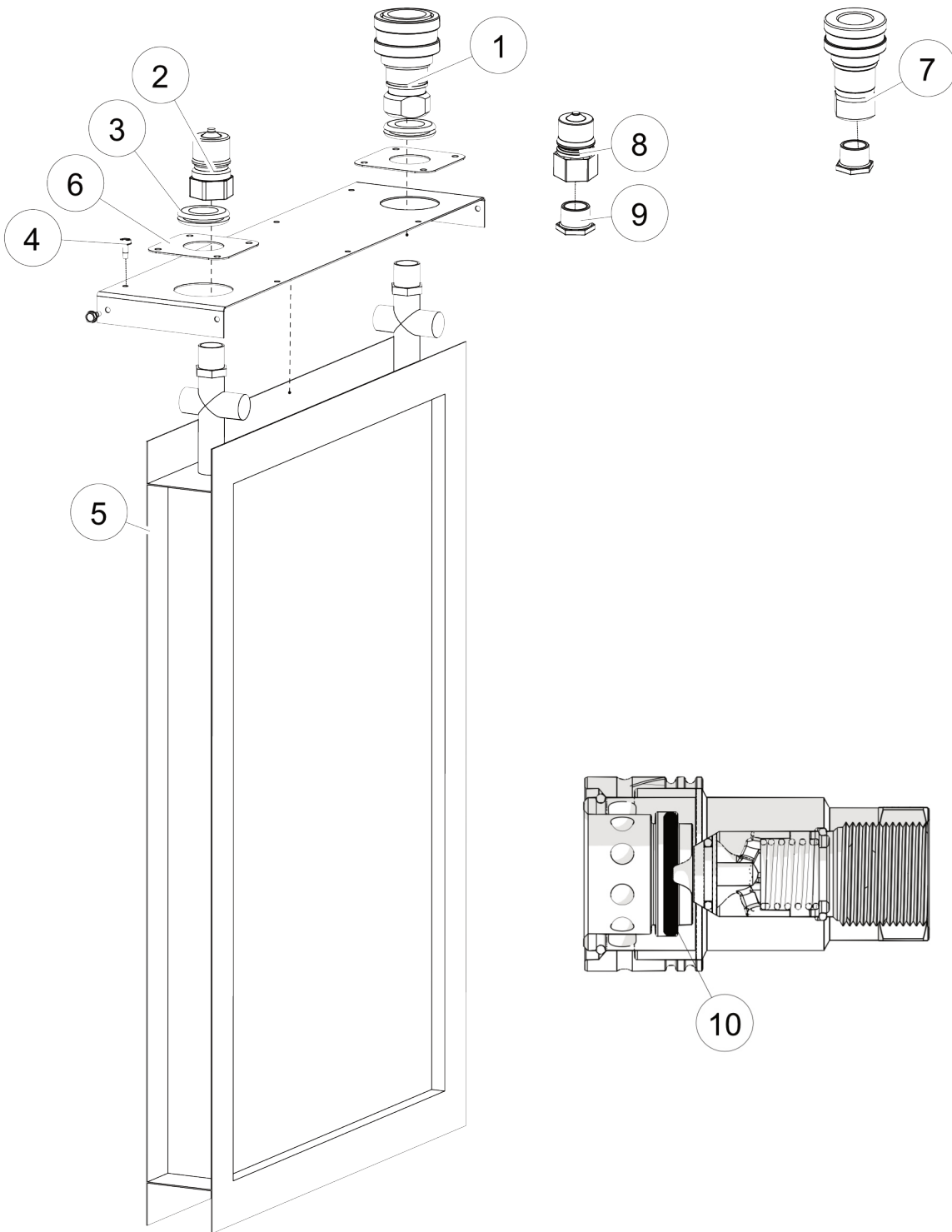




**HEFA Fan Coil
Model 80
Fan**

S/N: 1455-01 -
S/N: Current
PAGE: 2.1.2

Item No.	Part No.	Description	Qty.
1	001-704739	SCRW HEX HEAD THREAD ROLLING 1/4-20x5/8L	16
	001-905886	SCRW HEX HEAD THREAD ROLLING 1/4-20x5/8L SS	16
2	001-701482	BOLT 1/4X3/4 PLD GR5	6
	001-902418	BOLT 1/4X3/4 SS UNC	6
3	001-700129	WSHR FLT 1/4 PLD	12
	001-703921	WSHR FLT 1/4 SS	12
4	004-704703	INLET CONE Q51-22503 ROSENBERG	1
5	001-700042	NUT LKG NYL 1/4 UNC PLD	6
	001-703922	NUT LKG 1/4 UNC SS	6
6	012-700853	CAPACITOR 20MFD 370VAC 1HP MOTOR	1
7	004-901192	BRKT CAPACITOR MNT 20MFD	1
	004-906425	BRKT CAPACITOR MNT 20MFD SS	1
8	002-701145	TERM F 16-14 FUL INSUL DISC	2
9	004-901202	STAND OFF FAN MODEL EKHR-250	4
10	012-704700	FAN MOTORIZED IMPELLER 9.84IN .44kW 115V	1
11	004-704714	PLT MOTOR HEFA 500	1
	004-906424	PLT FAN BLOWER MOTOR SS	1
12	001-704740	BOLT M6-1.0x12mm HEX HEAD SS	4
13	001-700806	SCRW MACH 10-24X1/2	2
	001-704515	SCRW MACH 10-24X1/2 SS UNC BTN HD 1/8HEX DR	2
14	001-700805	NUT LKG 10-24 PLD	2
	001-703910	NUT LKG #10-24 SS UNC	2

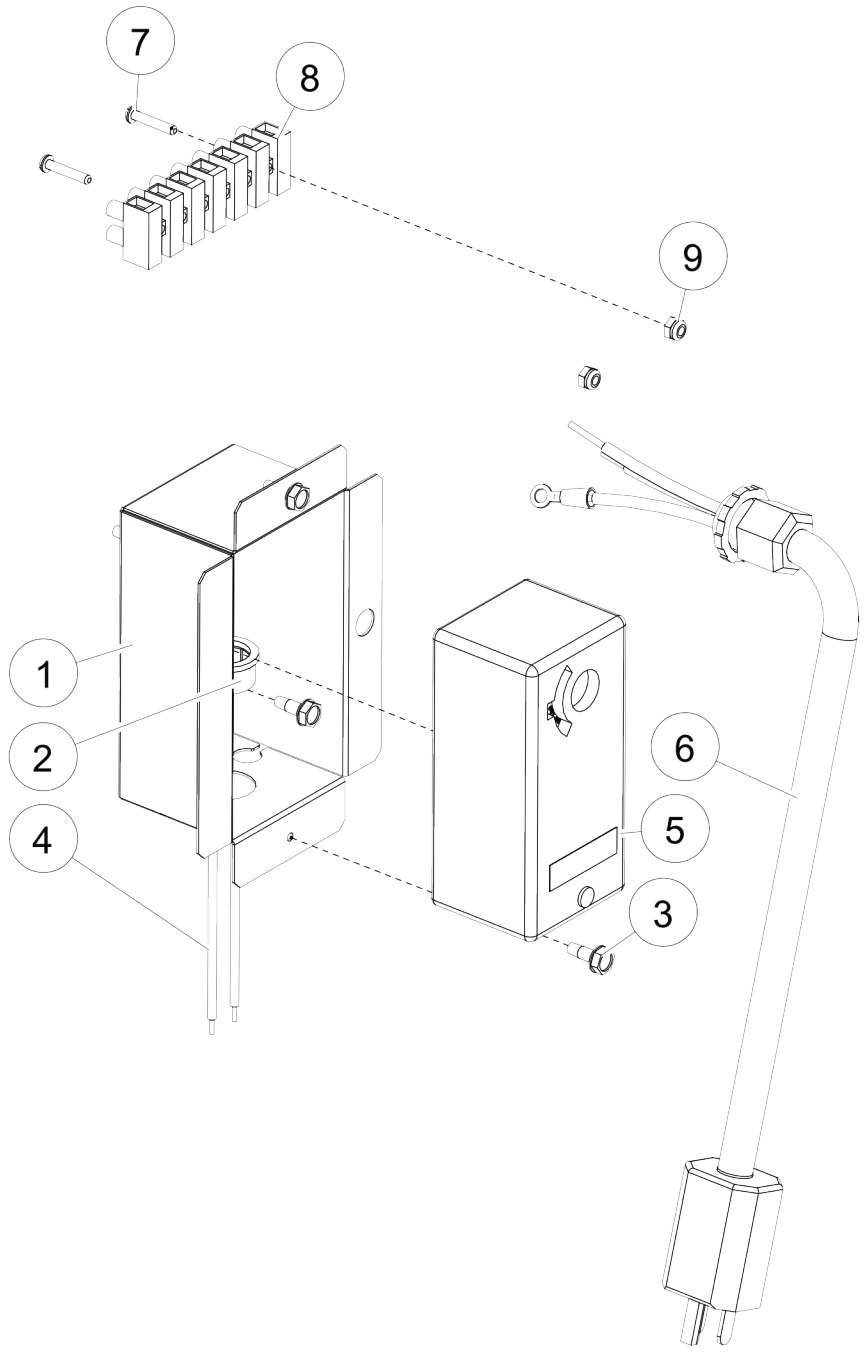




**HEFA Fan Coil
Model 80
Coil**

S/N: 1455-01 -
S/N: Current
PAGE: 3.1.2

Item No.	Part No.	Description	Qty.
1	011-701517	QC NIPL 3/4 BRS NPTF	1
2	011-701518	QC CPLR 3/4 BRS NPTF	1
3	009-700192	GROM 1X1-3/8 RBR MOD 80 COIL	2
4	001-700630	SCRW D/T 10-16X1/2 5/16HEX HD PLD	18
	001-904456	SCRW D/T 10-16X1/2 5/16HEX HD SS	18
5	012-701130	COIL WTR 4WS2D-12TX24 41008 PCRA	1
6	004-702300	PLT COIL CVR MOD80	1
	004-904453	PLT COIL CVR MOD 80HP SS	1
7	011-701374	QC CPLR BRS 1 60 SERIES	1
8	011-701375	QC NIPL BRS 1 60 SERIES	1
9	011-703478	BSHG RDCG 1X3/4 BRS MXF NPT	2
10	006-702957	O-RING 1IN QC CPLR (.141)	1
	006-704310	O-RING 1IN QC CPLR (1/8) OBS	1

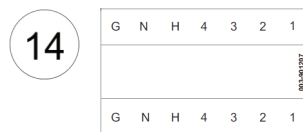
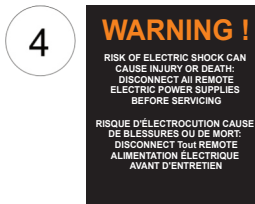
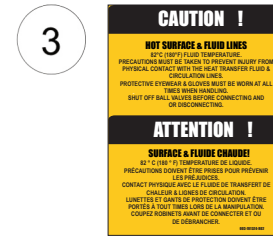
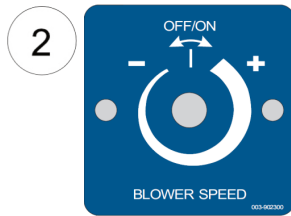
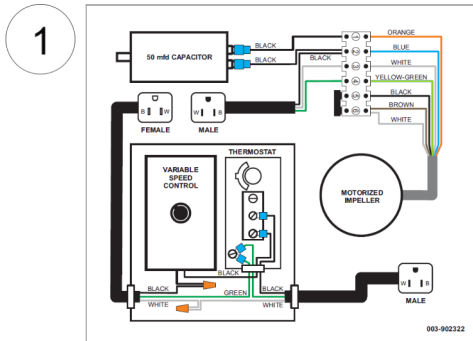




**HEFA Fan Coil
Model 80
Electrical**

S/N: 1455-01 -
S/N: Current
PAGE: 4.1.2

Item No.	Part No.	Description	Qty.
1	004-900075	BOX SM MOD200 FAN/COIL R03	1
	004-904454	BOX RECESSED THERM MNT SS	1
2	002-701115	BSHG KO 1/2	1
3	001-700630	SCRW D/T 10-16X1/2 5/16HEX HD PLD	4
	001-904456	SCRW D/T 10-16X1/2 5/16HEX HD SS	4
4	002-800001	WIRE 14GA SOL BLK X300	2
5	005-703464	CONT TEMP JOHNSON 25-225F SPDT	1
6	018-701249	PKG CORD 14/3X12	1
7	001-703260	SCRW MACH 6-32X3/4 RND HEAD	2
	001-902430	SCRW MACH 6-32X3/4L PAN HD SS	2
8	002-704558	TERM STRP LGE 12 POLE 5-1/2L .472 SPACING	2
9	001-704132	NUT LKG NYL #6-32	2
	001-902433	NUT LKG 6-32 SS	2



Item No.	Part No.	Description	Qty.
1	003-902322	DECAL ELEC SCHEM MOD ES200 FC	1
2	003-902300	DECAL BWR SPD MOD ES200 FC	1
3	003-701524	DECAL CAUTION GLY SHUT VLV	1
4	003-903845	DECAL WARNING RISK OF SHOCK	1
5	003-700185	DECAL CHK COIL RGLR 2-1/2X1-1/2	1
6	003-903397	DECAL EXT CORD USE	1
7	003-903355	DECAL WARNING EXT CORD SHOCK	1
8	003-902463	DECAL DRYAIR 9X1.5 05 BLUE VINYL	1
9	003-906813	DECAL DRYAIR HEAT DRY THAW CURE 12-5/16L	2
10	003-906799	DECAL HEFA 80 3T	2
11	003-906814	DECAL WWW.DRYAIR.CA 10LX1-3/16H	1
12	003-701102	DECAL CAUT NONEXPLN PROOF	1
13	003-906749	DECAL QR OP MAN HEFA 80	1
14	003-901207	DECAL VINYL XTERM GNH4321 HORZ	1



HEFA Fan Coil Model 80
S/N: 1455-01 - Current

Part No. 023-906398
Rev. 01 05-02-2023