



Heat

Dry

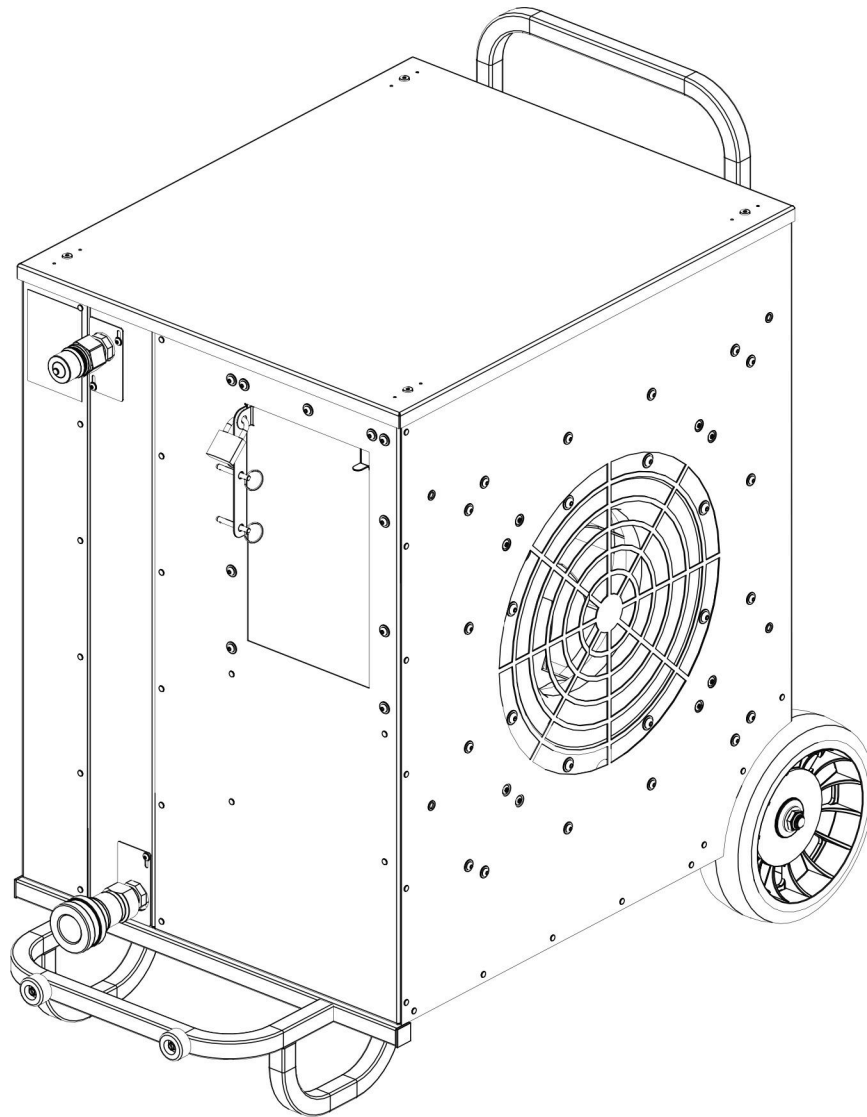
Thaw

Cure

PARTS CATALOGUE

HEFA Fan Coil

ES200



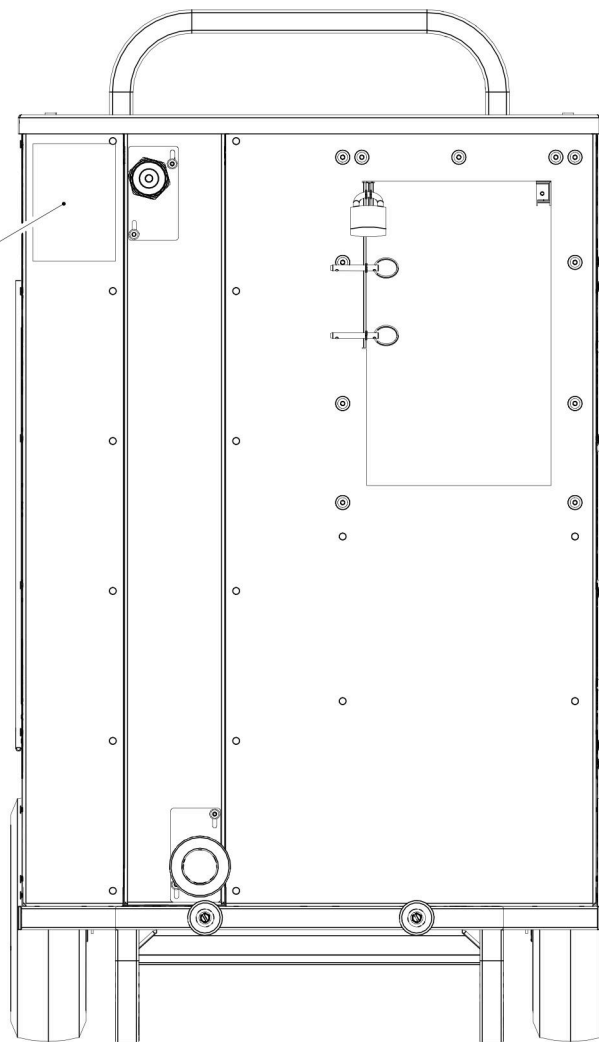
DRYAIR MANUFACTURING CORP.
PO BOX 126, 400 SERVICE ROAD
ST. BRIEUX, SK S0K 3V0
CANADA
www.dryair.ca

Tel: 1 (306) 275-4848
Toll-Free: 1 (888) 750-1700
Fax: 1 (306) 275-4664
Email: parts@dryair.ca



HEFA Fan Coil ES200

Table of Contents

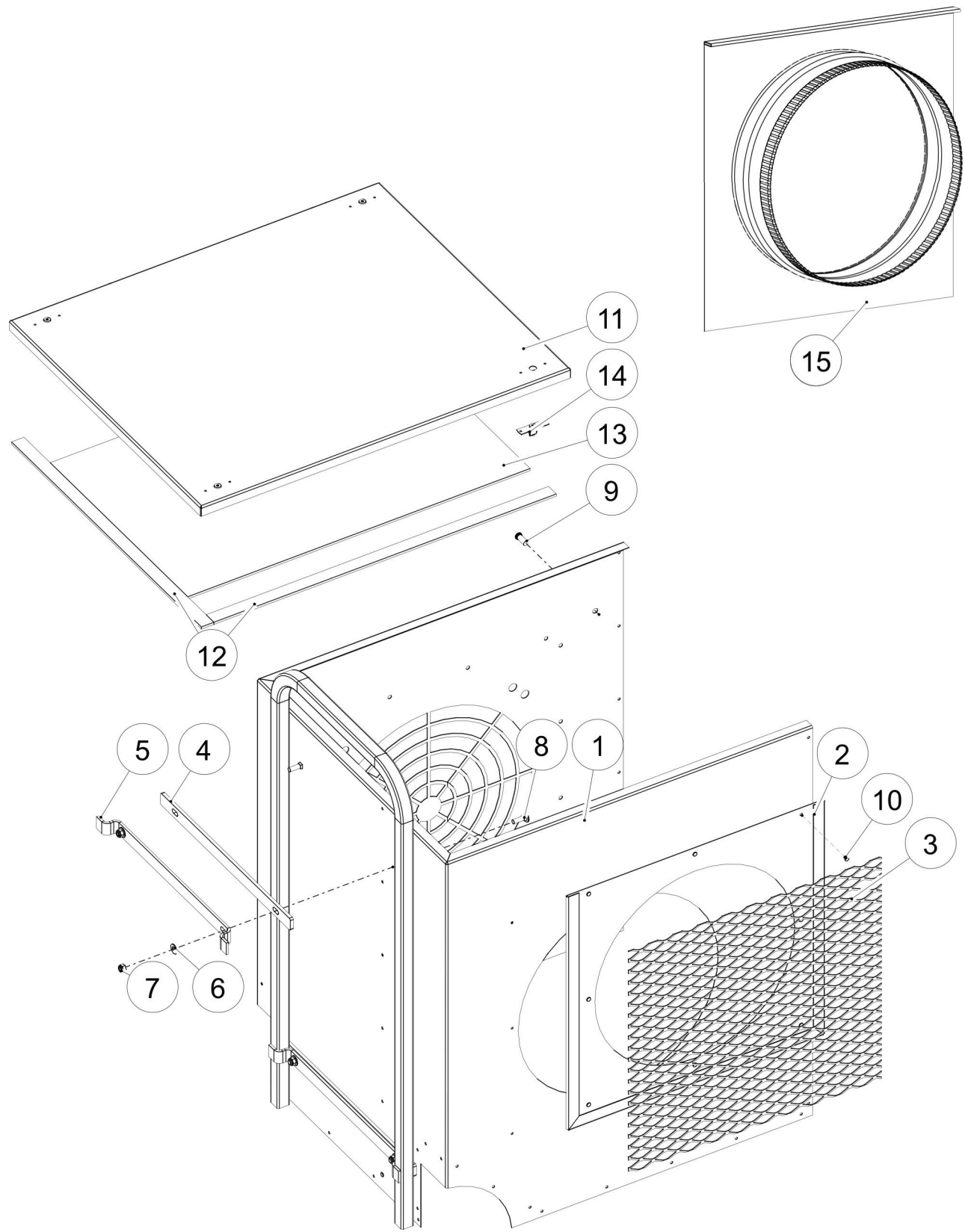


P.O. Box 126 400 Spruce Road St. Brieux, Sk. Canada			
Model / Modèle:			
Production Schedule / Calendrier de Production:			
Reference / Référence:			
Motor Data / Données Moteur			
HP			
Volts			
Hz	60		
Ambient / Ambiant	60°C		
RPM			
Max. Ampacity / Max. Ampacité			
Speed / Vitesse			
Certified for Indoor and Outdoor Use / Certifié pour l'utilisation à l'intérieur et à l'extérieur			
	<table border="1"> <tr> <td>Max. Inlet Water Temperature / Température Maximale de L'eau d'Entrée:</td> <td>85°C</td> </tr> </table>	Max. Inlet Water Temperature / Température Maximale de L'eau d'Entrée:	85°C
Max. Inlet Water Temperature / Température Maximale de L'eau d'Entrée:	85°C		
003-903386 R01			



HEFA Fan Coil ES200 Table of Contents

Base	1.1.1
Cabinet	1.1.3
Frame	1.1.5
Fan	2.1.1
Coil	3.1.1
Control Panel	4.1.1
Accessories	5.1.1
Filter	5.1.1
Cooling Retrofit Package	5.1.3
Decals	6.1.1

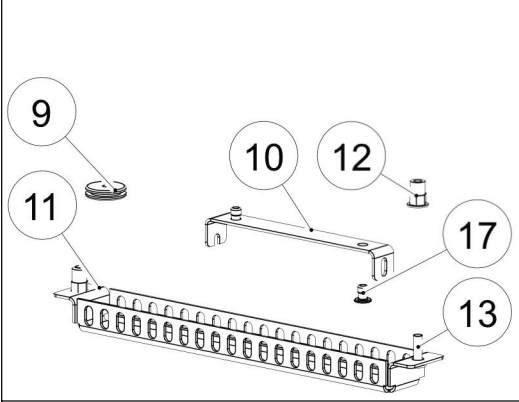
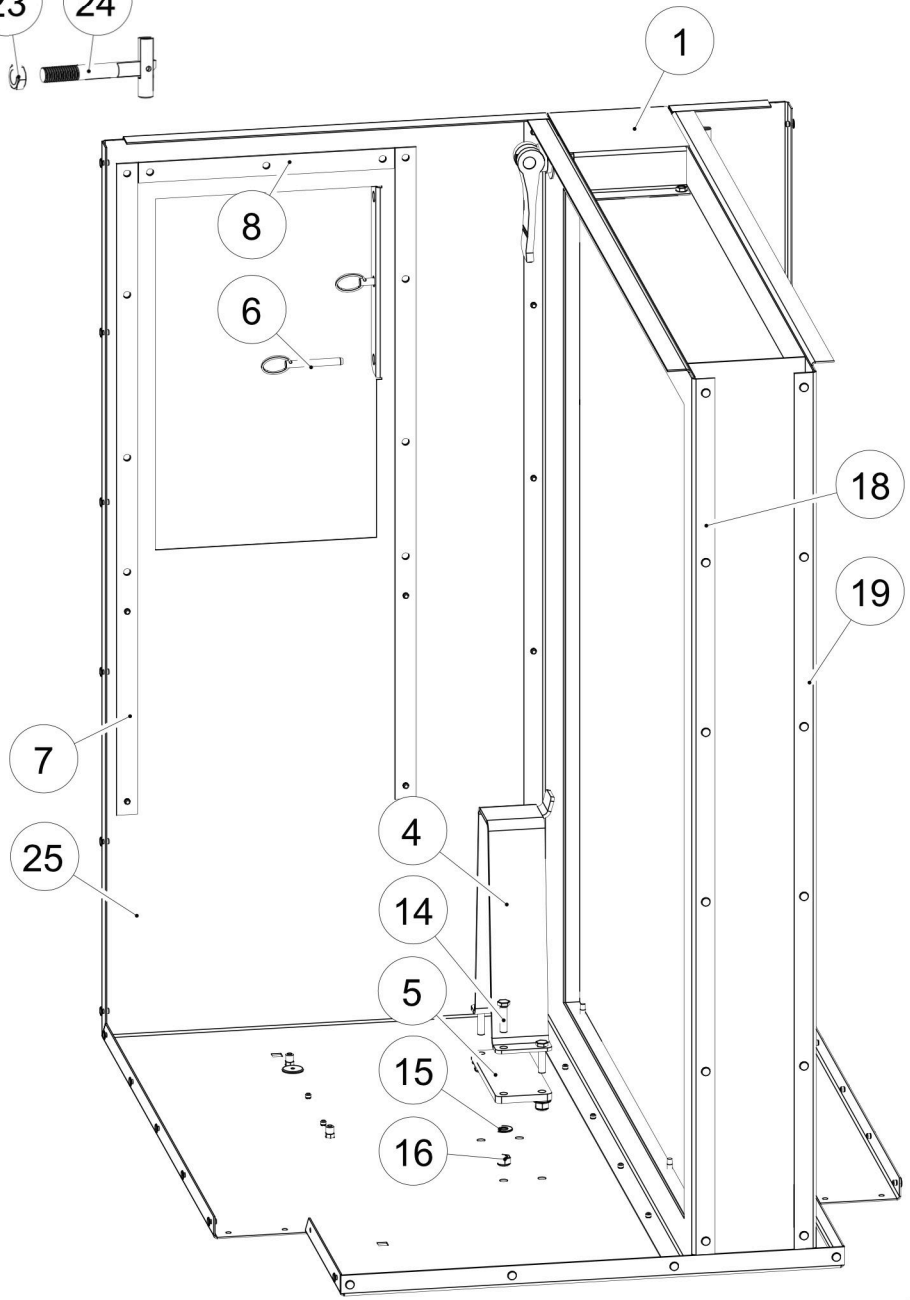
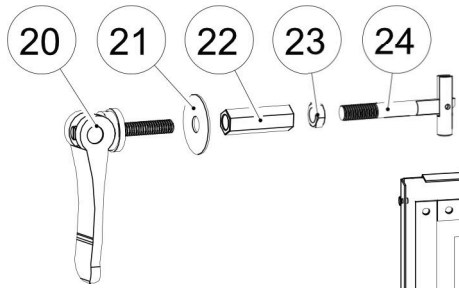




**HEFA Fan Coil
ES200
Cabinet**

S/N: 1575-01 -
S/N: Current
PAGE: 1.1.2

Item No.	Part No.	Description	Qty.
1	004-902319	PNL MAIN BODY MOD ES200 CAB	1
2	004-902321	PNL DUCT ADPTR MOD ES200 CAB	1
3	004-900015	SCREEN SM MOD200 19X20-1/4 CONSTR COIL	1
4	004-902294	PLT CAB MNT MOD ES200 FC	2
5	004-902296	CLP CABINET MNT MOD ES200 FC	2
6	001-703916	WSHR FLT 5/16 SS	4
7	001-703915	NUT LKG 5/16 SS UNC	4
8	001-902339	BOLT CRG 5/16X1 SS	4
9	001-902327	INSERT BLIND THD 1-4 UNC RND BODY .027-.165 GRP	4
10	001-902329	RIVET 5/32X.062 .125 SS	8
11	004-902299	PNL LID MOD ES200 CAB R01	1
12	009-701083	WS 3/16X1 NEOPRENE	8.65FT
13	009-703945	FOAM 3/16 NEOPRENE CLOSED CELL	4FT ²
14	001-902332	SPRING CAM LATCH	4
15	004-703018	ADPTR DUCT 16IN DIA MOD200 FAN COIL (Optional)	1
		The following component not shown	
	001-902532	RIVET 1/8X.063 .125 SS	8

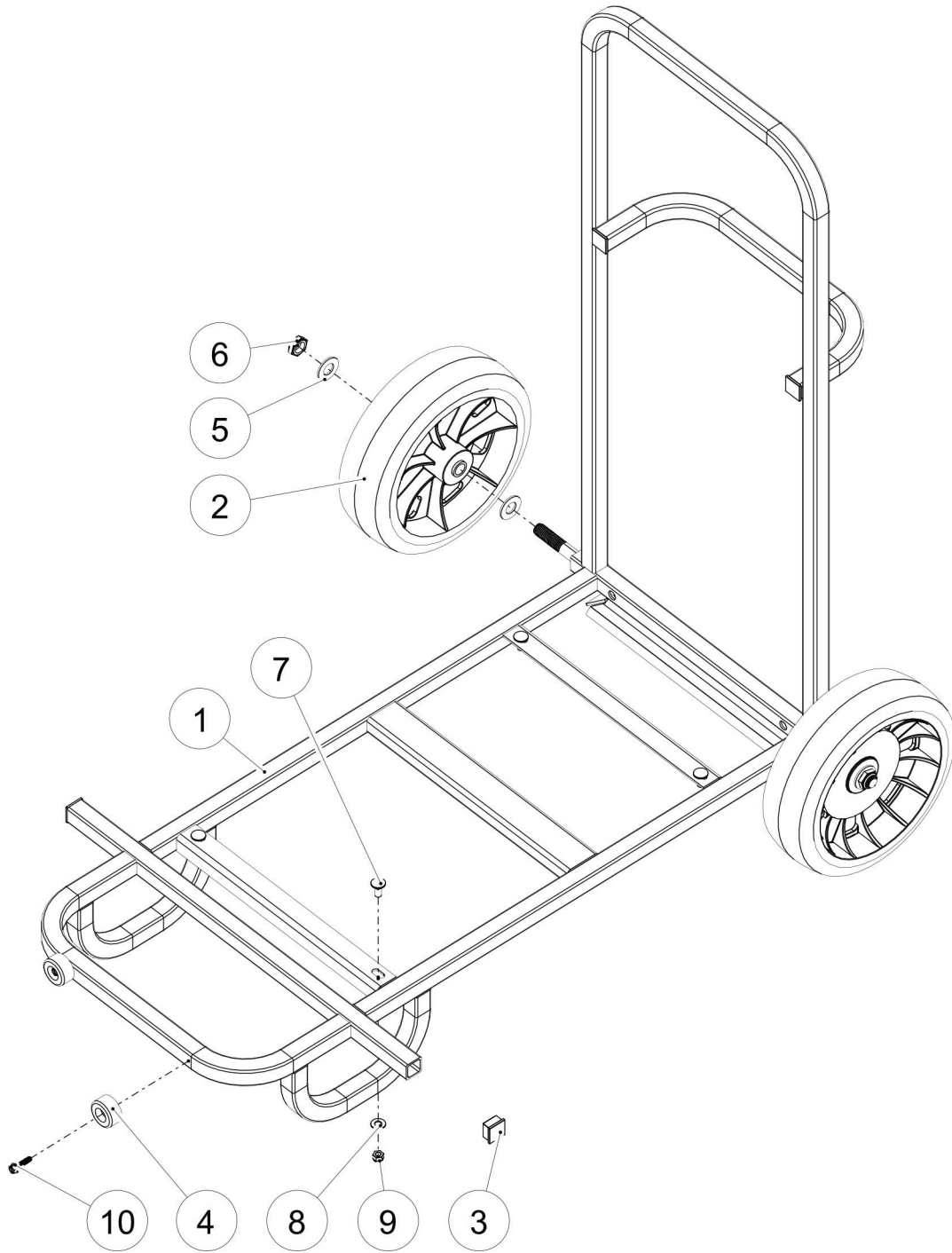




**HEFA Fan Coil
ES200
Cabinet**

S/N: 1575-01 -
S/N: Current
PAGE: 1.1.4

Item No.	Part No.	Description	Qty.
1		COIL - see page 3.1.1	
2	004-902297	PNL WHEEL CVR RGHT MOD ES200 CAB	1
3	004-902298	PNL WHEEL CVR LEFT MOD ES200 CAB	1
4	004-903430	BRKT FAN SPRT ES200	1
5	004-903429	PLT BASE FAN SPRT ES200	1
6	001-703965	PIN QUICK RLSE 1/4X1-1/2 GRIP	2
7	004-902301	PNL SLIDE LONG MOD ES200 CAB	2
8	004-902305	PNL SLIDE SHORT MOD ES200 CAB	1
9	009-902331	GROM 1/8IDX3/4 OD 9/16 HOLE	1
10	004-902316	BRKT THERMOSTAT BULB SPRT SS	1
11	004-902302	SHLD THERMOSTAT BULB SS	1
12	001-703564	INSERT THD 10-24 HEX BODY	2
13	001-704515	SCRW MACH 10-24X1/2 SS UNC BTN HD 1/8HEX DR	2
14	001-902421	BOLT 1/4X1 SS UNC	4
15	001-703921	WSHR FLT 1/4 SS	4
16	001-703922	NUT LKG 1/4 UNC SS	4
17	001-902329	RIVET 5/32X.062 .125 SS	89
18	004-902309	PNL DIVIDER FAN SIDE MOD ES200 CAB	1
19	004-902310	PNL DIVIDER EXH SIDE MOD ES200 CAB	1
20	001-902336	HNDL QP CAM THD 3/8X1-1/2 UNC	1
21	001-902338	WSHR FNDR 3/8IDX1-1/2 OD	1
22	001-902337	NUT CPLG 3/8X1-3/4 UNC	1
23	001-701601	NUT JAM 3/8 NC	1
24	004-902335	TGL ANCH THD 3/8X16 2-5/8L	1
25	004-902320	PNL BASE MOD ES200 CAB	1

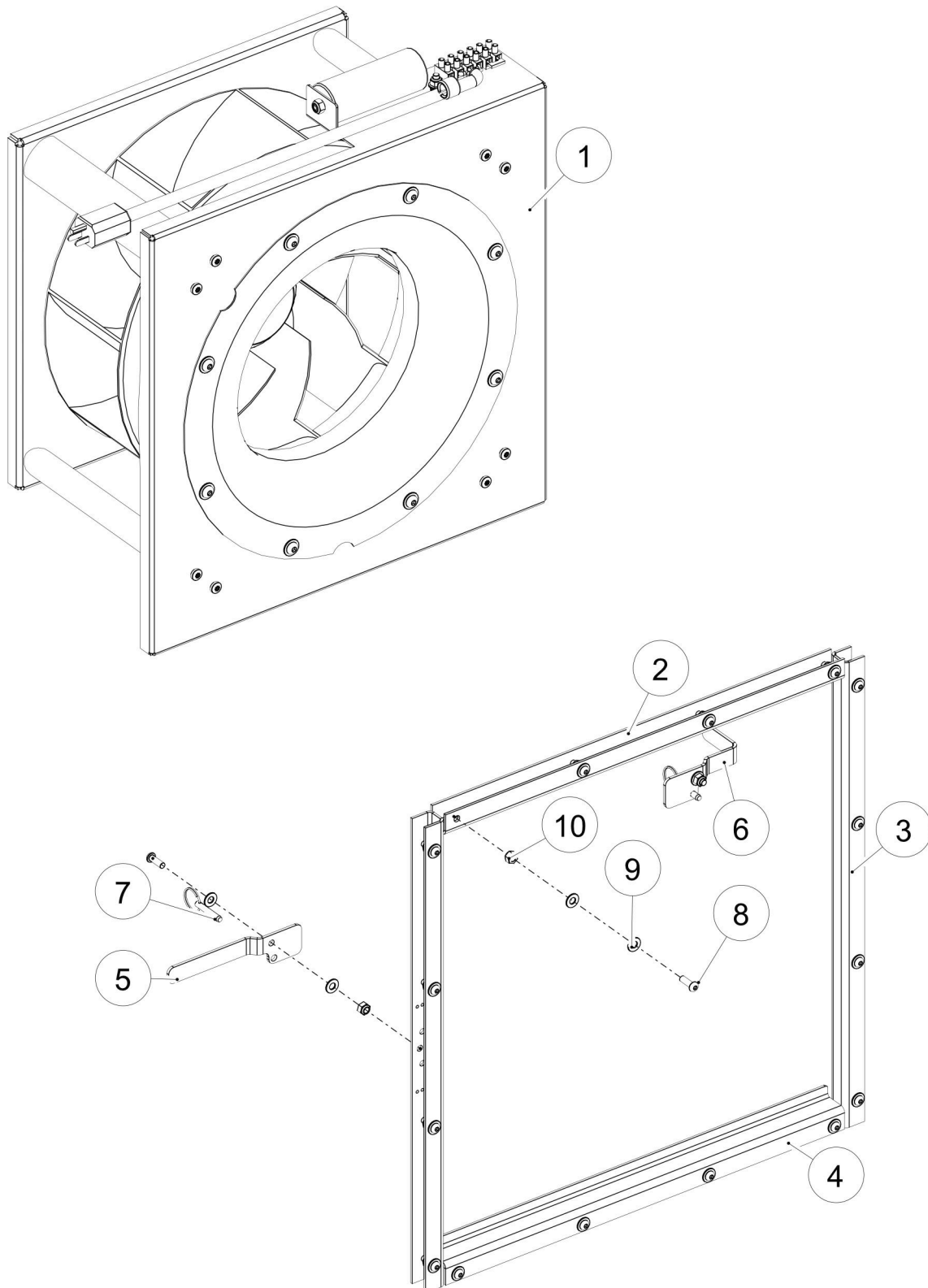




**HEFA Fan Coil
ES200
Frame**

S/N: 1575-01 -
S/N: Current
PAGE: 1.1.6

Item No.	Part No.	Description	Qty.
1	004-902292	FRAME CART MOD ES200 FC	1
2	009-902330	WHEEL 10X3 D6SS CW 5/8ID PRECISION BEARING	2
3	016-700718	CAP PLSTC BLK 1X1X100W TBG	4
4	009-704066	BUMPER RBR 1-1/2OD X 1/4 RECESSED	2
5	001-700944	WSHR FLT 5/8 SAE PLD	4
6	001-902393	NUT LKG NYL JAM 5/8 UNC PLD	2
7	001-902333	BOLT CRG 5/16X3/4 SS	4
8	001-703916	WSHR FLT 5/16 SS	4
9	001-703915	NUT LKG 5/16 SS UNC	4
10	001-700435	SCRW D/T 1/4-14X1 3/8HEX HD PLD	2

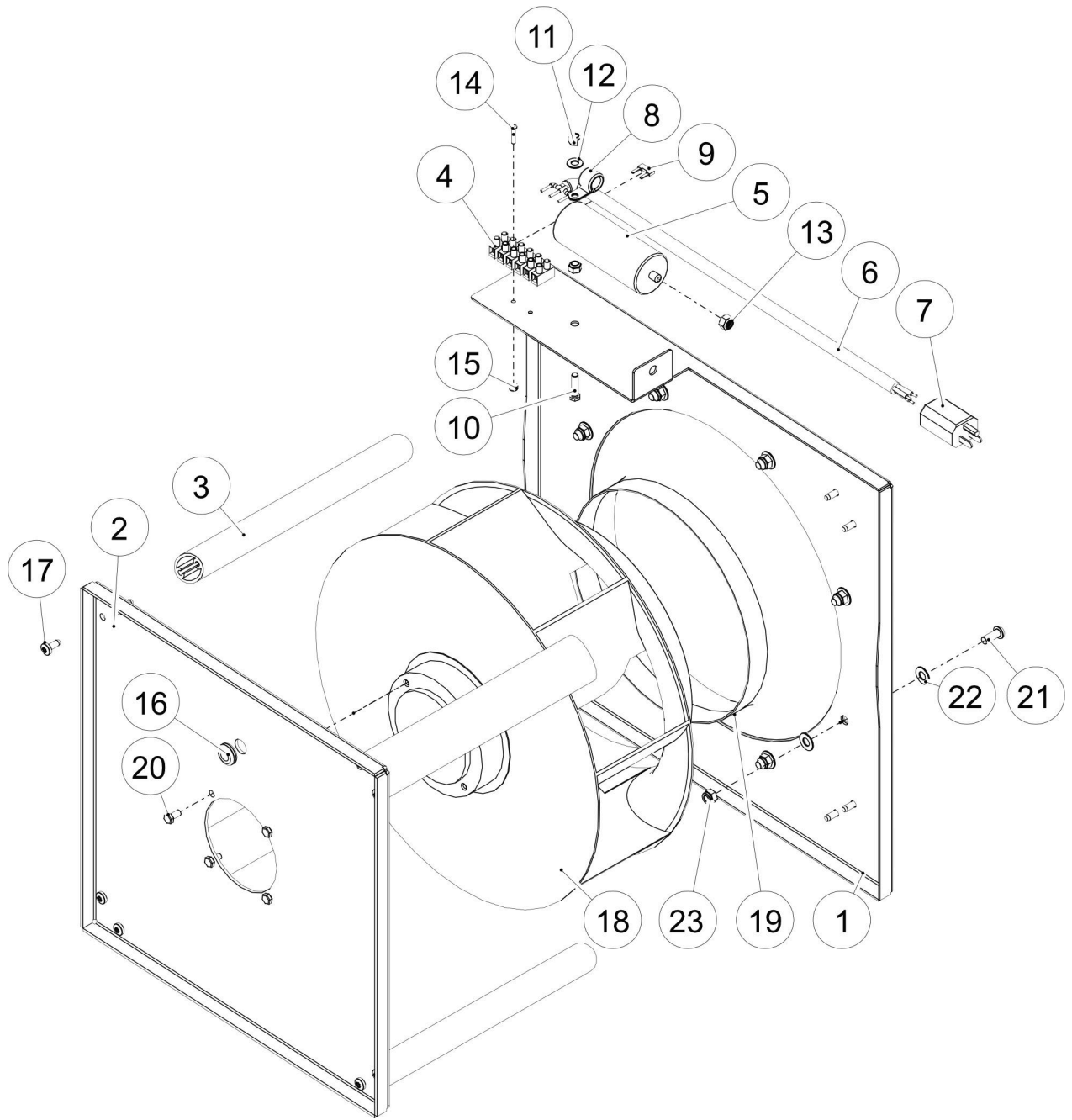




**HEFA Fan Coil
ES200
Fan**

S/N: 1575-01 -
S/N: Current
PAGE: 2.1.2

Item No.	Part No.	Description	Qty.
1		FAN - see page 2.1.3	
2	004-902313	CHAN FAN MNT TOP MOD ES200 CAB	1
3	004-902315	CHAN FAN MNT SIDE MOD ES200 CAB	2
4	004-902314	BRKT FAN MNT BTM MOD ES200 CAB	1
5	004-902311	PLT FAN RTNR RGHT MOD ES200 CAB	1
6	004-902312	PLT FAN RTNR LEFT MOD ES200 CAB	1
7	001-903435	PIN QR 1/4 X 1L CW RING-LANDYARD	2
8	001-704516	SCRW MACH 1/4-20X3/4 SS BTN HD 5/32HEX DR	18
9	001-703921	WSHR FLT 1/4 SS	36
10	001-703922	NUT LKG 1/4 UNC SS	18

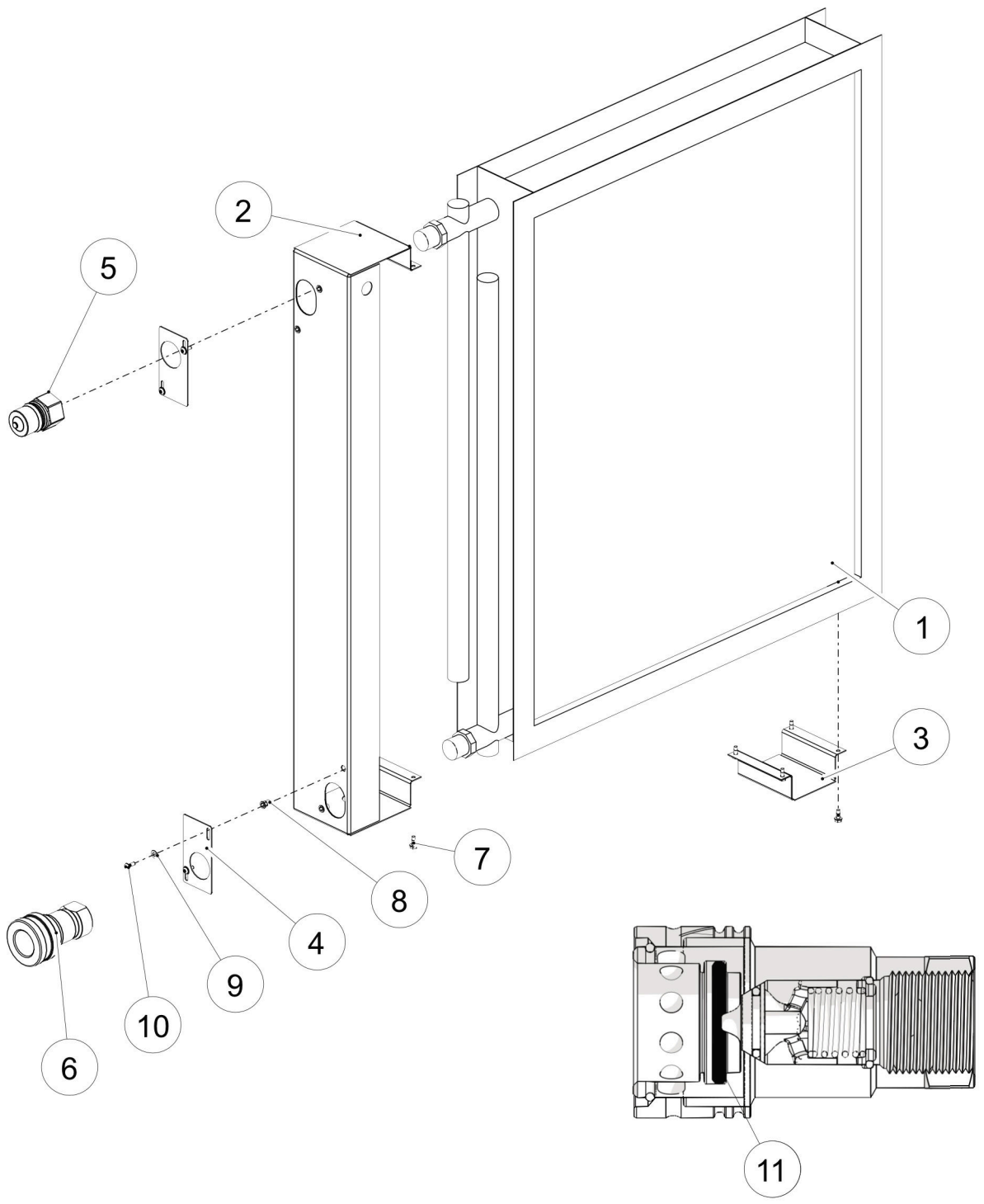




**HEFA Fan Coil
ES200
Fan**

S/N: 1575-01 -
S/N: Current
PAGE: 2.1.4

Item No.	Part No.	Description	Qty.
1	004-902324	PLT FRT FAN MOD ES200 FC	1
2	004-902323	PLT MOTOR EKHR-400 SS	1
3	004-902293	STAND OFF FAN MODEL EKHR-400	4
4	002-704558	TERM STRP LGE 12 POLE 5-1/2L .472 SPACING	1
5	002-902328	CAPACITOR 50MFD 450VAC M8 MNT	1
6	002-700802	CABLE SOW14/3 NPRN CABTIRE	1
7	002-700036	PLUG CORD MALE YEL 3PR 120V	1
8	001-902362	CLP 1/2ID RBR CUSH SPRT	1
9	017-704384	BRIDGE INSERTION INSULATED	1
10	001-902421	BOLT 1/4X1 SS UNC	1
11	001-703922	NUT LKG 1/4 UNC SS	1
12	001-703921	WSHR FLT 1/4 SS	1
13	001-903718	NUT LKG NYL M8 SS	1
14	001-902430	SCRW MACH 6-32X3/4L PAN HD SS	2
15	001-902433	NUT LKG 6-32 SS	2
16	009-901188	GROM 7/16IDX7/8ODX3/32GRV RB-324 SBR	1
17	001-704739	SCRW HEX HEAD THREAD ROLLING 1/4-20x5/8L	16
18	012-901999	FAN MOTORIZED IMPELLER 15.75IN .81KW 115V	1
19	004-902186	INLET CONE Q51-35520 RONSENBERG	1
20	001-704740	BOLT M6-1.0x12mm HEX HEAD SS	4
21	001-704504	BOLT BTN HD 5/16X3/4L SS 3/16HEX DR	8
22	001-703916	WSHR FLT 5/16 SS	16
23	001-703915	NUT LKG 5/16 SS UNC	8

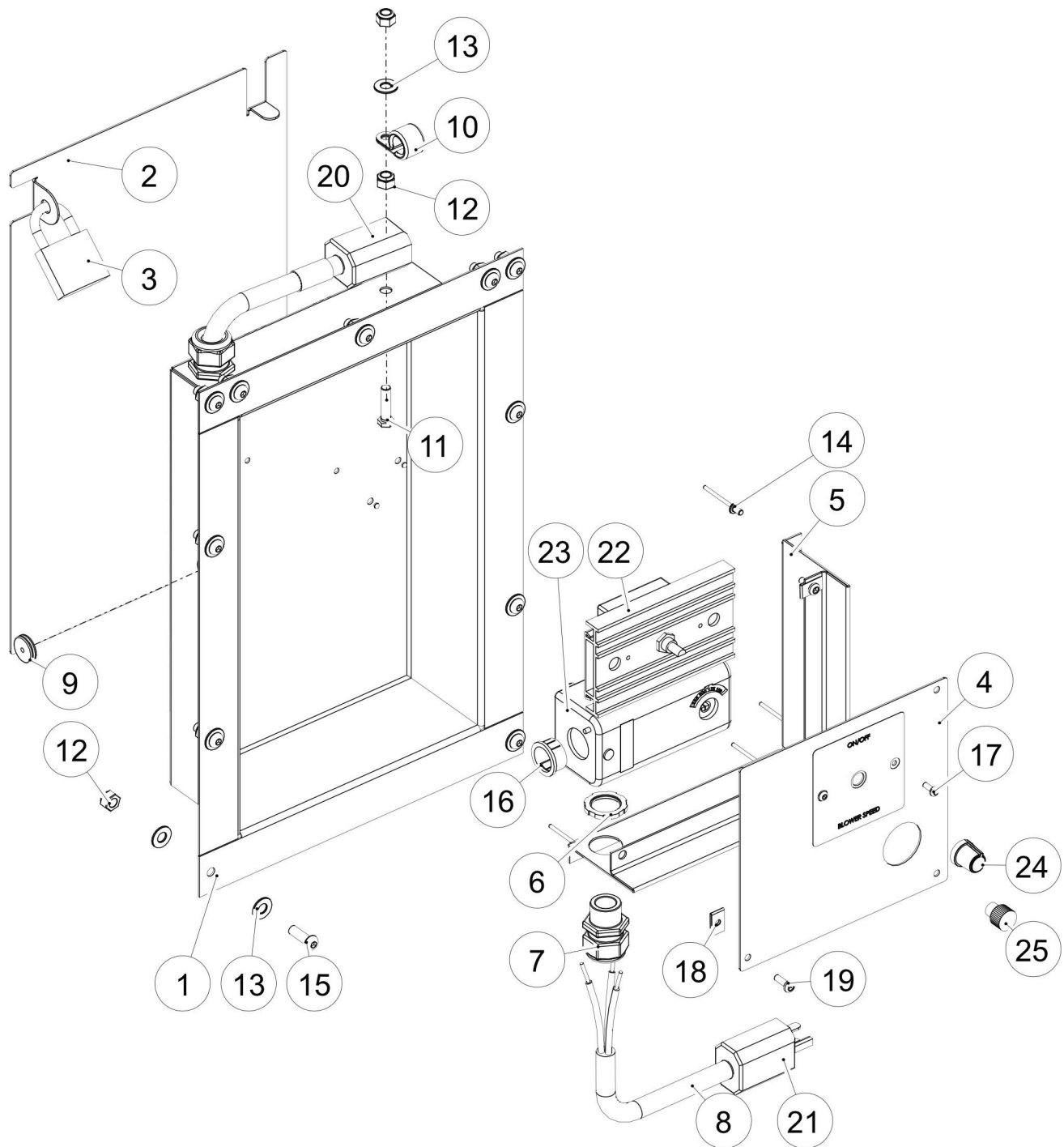




**HEFA Fan Coil
ES200
Coil**

S/N: 1575-01 -
S/N: Current
PAGE: 3.1.2

Item No.	Part No.	Description	Qty.
1	012-700058	COIL WTR 4WS3B-24TX24	1
2	004-902306	PNL COIL CVR MOD ES200 COIL	1
3	004-902304	BRKT COIL SPRT MOD ES200 COIL	1
4	004-902303	PLT FLSHG MOD ES200 COIL	2
5	011-701375	QC NIPL BRS 1 60 SERIES	1
6	011-701374	QC CPLR BRS 1 60 SERIES	1
7	001-700630	SCRW D/T 10-16X1/2 5/16HEX HD PLD	3
8	001-703564	INSERT THD 10-24 HEX BODY	4
9	001-703909	WSHR FLT #10 SS	4
10	001-704515	SCRW MACH 10-24X1/2 SS UNC BTN HD 1/8HEX DR	4
11	006-702957	O-RING 1IN QC CPLR (.141)	1

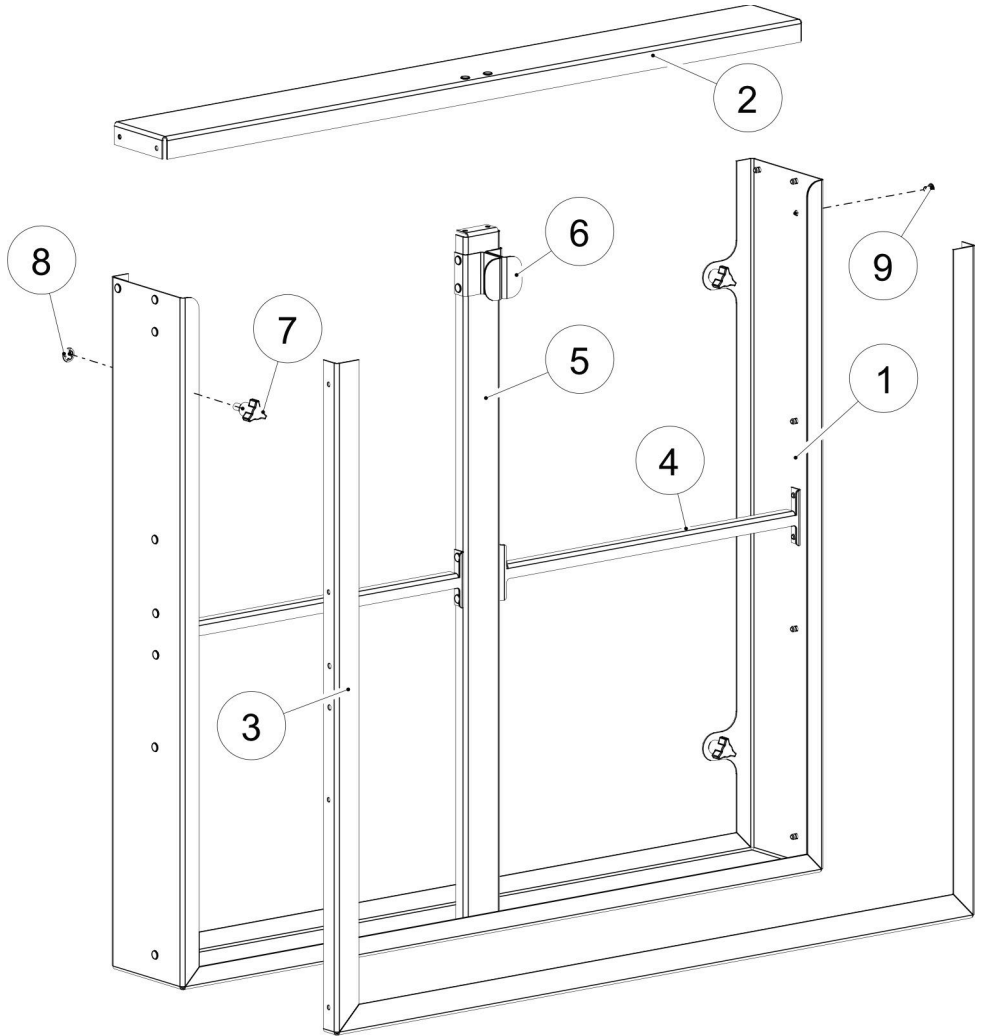
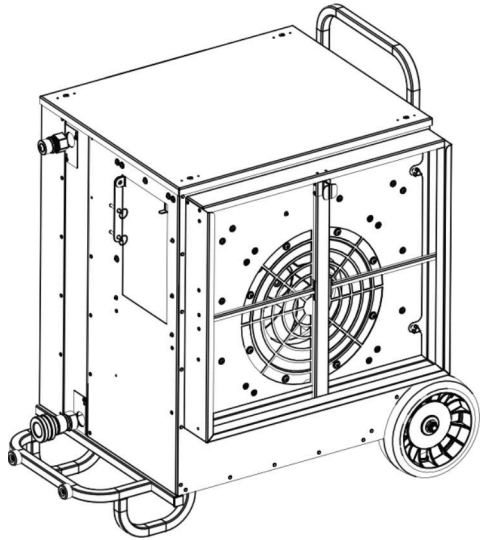




**HEFA Fan Coil
ES200
Control Panel**

S/N: 1575-01 -
S/N: Current
PAGE: 4.1.2

Item No.	Part No.	Description	Qty.
1	004-902317	BOX CTRL PNL MOD ES200 CAB	1
2	004-902307	PNL SLIDE CVR CTRL BOX MOD ES200 FC	1
3	001-702054	LOCK	1
4	004-902308	PNL CVR THERMO MOD ES200 FC	1
5	004-902318	PNL DIVIDER CTRL BOX MOD ES200 CAB	1
6	002-701131	LOCKNUT 1/2 STL CONDUIT	2
7	002-704769	CONN STRN/RLF 1/2 .39-.55 CE/CSA	2
8	002-700802	CABLE SOW14/3 NPRN CABTIRE	2
9	009-902331	GROM 1/8IDX3/4 OD 9/16 HOLE	1
10	001-902362	CLP 1/2ID RBR CUSH SPRT	1
11	001-902421	BOLT 1/4X1 SS UNC	1
12	001-703922	NUT LKG 1/4 UNC SS	13
13	001-703921	WSHR FLT 1/4 SS	22
14	001-902329	RIVET 5/32X.062 .125 SS	4
15	001-704516	SCRW MACH 1/4-20X3/4 SS BTN HD 5/32HEX DR	11
16	002-701115	BSHG KO 1/2	1
17	001-902429	SCRW MACH 6-32X3/8L PAN HD SS	2
18	001-902432	SPRING NUT 8-32 U	3
19	001-902431	SCRW MACH 8-32X1/2L PAN HD SS	3
20	002-900753	PLUG CORD FEMALE YEL 3PR 120V	1
21	002-700036	PLUG CORD MALE YEL 3PR 120V	1
22	005-703929	CNTRL VARIABLE SPEED TIVAR WM-1100CBK	1
23	005-703464	CONT TEMP JOHNSON (25-225F) SPDT	1
24	017-704150	KNOB NYL 1/4 SFT CW POS IND	1
25	005-902340	PKG KNOB A19 THERMOSTAT	1
		The following components not shown	
	001-902429	SCRW MACH 6-32X3/8L PAN HD SS	2
	001-902433	NUT LKG 6-32 SS	2

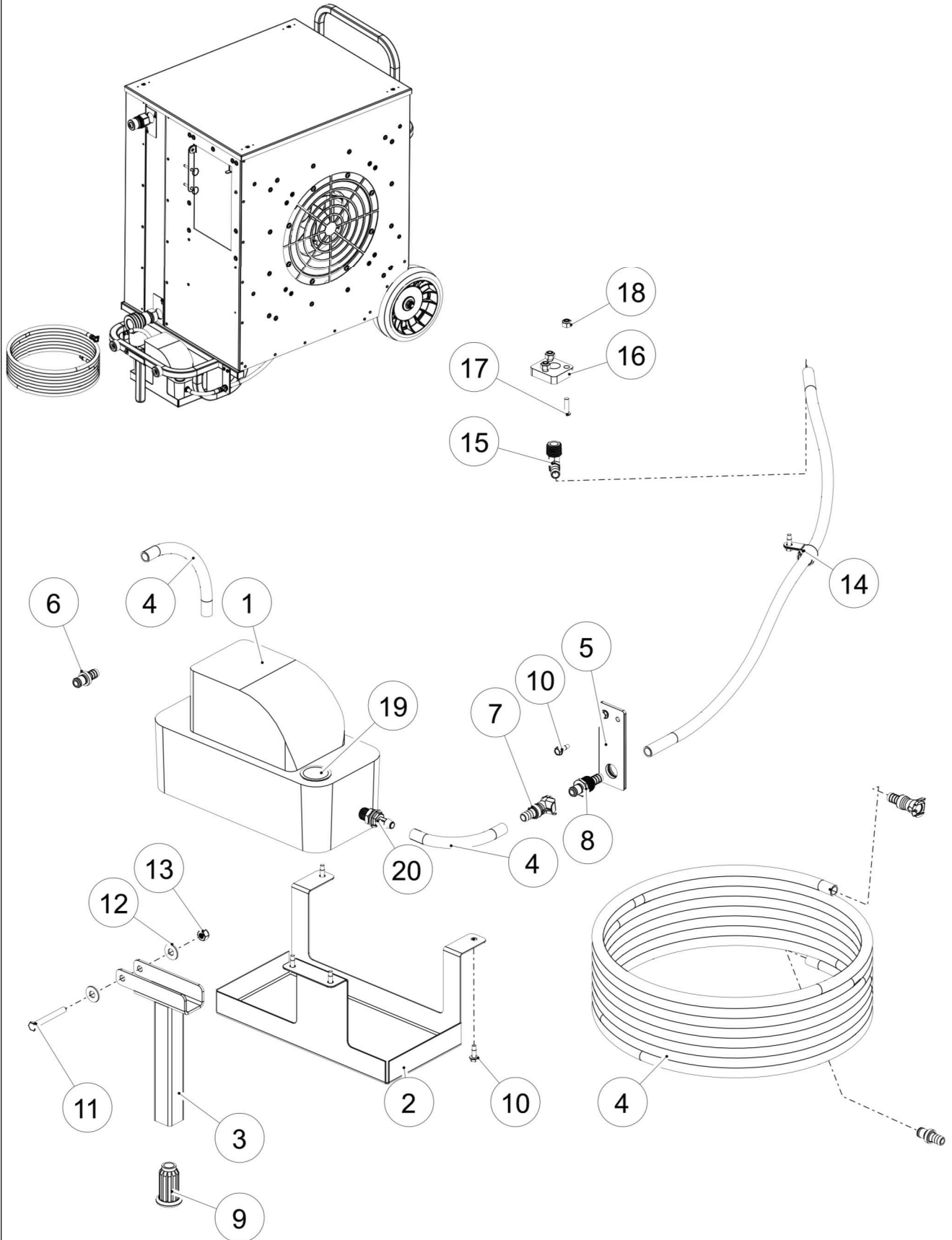




**HEFA Fan Coil
ES200
Filter**

S/N: 1575-01 -
S/N: Current
PAGE: 5.1.2

Item No.	Part No.	Description	Qty.
	018-902342	ASSY FILTER HSG ES200 FC (Includes 1-9)	1
1	004-902355	PNL FLTR HSG BODY MOD ES200 FC	1
2	004-902359	PNL FLTR HSG TOP MOD ES200 FC	1
3	004-902356	PNL SPRT FLTR HSG MOD ES200 FC	1
4	004-902357	SPRT CNTR FLTR HSG MOD ES200 FC	2
5	004-902354	PNL CNTR FLTR HSG MOD ES200 FC	1
6	004-902358	RETAINER FLTR HSG MOD ES200 FC	2
7	001-902360	NUT 3 ARM 1/4X1/2	4
8	001-902361	NUT RETAINER PUSH 1/4	4
9	001-902329	RIVET 5/32X.062 .125 SS	32
	FILTER	FITS STANDARD 14"X25"X1" FILTERS	





**HEFA Fan Coil
ES200
Cooling Retrofit Package**

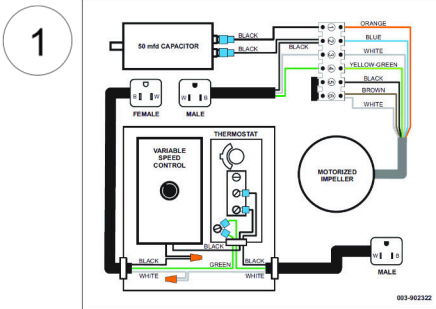
S/N: 1575-01 -
S/N: Current
PAGE: 5.1.4

Item No.	Part No.	Description	Qty.
	018-905257	PKG ES200 COOLING RETROFIT (Includes 1-20)	1
1	012-905252	PUMP CONDENSATE LG VCMX-20UL 115V 554520	1
2	004-905246	BRKT COND PUMP ES200	1
3	004-905249	RISER LEG ES200	1
4	016-905260	TUBING CLEAR 3/8ID 70A SOFT PVC	100FT
5	004-905250	BAR FLAT 1/8X1-1/2 4L CW HOLES	1
6	011-905255	QC MALE 1/4X3/8HB ACETAL	2
7	011-905256	QC FEMALE 1/4X3/8HB ACETAL	4
8	011-905254	QC MALE 1/4X3/8HB THRU-WALL ACETAL	2
9	016-901090	SOCKET RND PLSTC CASTER	1
10	001-703424	SCRW D/T 10-16X5/8 5/16HEX HD PLD	7
11	001-700955	BOLT 1/4X2 PLD GR5	1
12	001-700129	WSHR FLT 1/4 PLD	2
13	001-700042	NUT LKG NYL 1/4 UNC PLD	1
14	001-902362	CLP 1/2ID RBR CUSH SPRT	1
15	011-905242	NIPL COMB 3/8NPTX3/8HB 90DEG BRS	1
16	004-905241	PLT DRAIN ES200	1
17	001-900439	SCRW MACH 10-24X3/4 SS UNC BTN-HD 1/8HEX-DR	3
18	001-703910	NUT LKG #10-24 SS UNC	3
19	015-700659	PLUG TPR PLSTC #44 FOR 1IN FPT	1
20	011-905253	NIPL COMB THRU-WALL 1/4NPSMX3/8HB NYLON	1



HEFA Fan Coil ES200 Decals

S/N: 1575-01 -
S/N: Current
PAGE: 6.1.1



ATTENTION!
USE AN APPROPRIATE
EXTENSION CORD FOR THIS UNIT.
UTILISER UNE RALLONGE
APPROPRIÉE POUR CET APPAREIL.

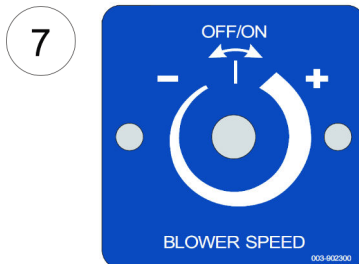
**CHECK COILS
REGULARLY AND
CLEAN WHEN
REQUIRED**
SEE YOUR OPERATOR'S
MANUAL FOR DETAILS

CAUTION !
HOT SURFACE & FLUID LINES
12°C (54°F) FLUID TEMPERATURE.
PRECAUTIONS MUST BE TAKEN TO PREVENT INJURY FROM
PHYSICAL CONTACT WITH THE HEAT TRANSFER FLUID &
CIRCULATION LINES.
PROTECTIVE EYEWEAR & GLOVES MUST BE WORN AT ALL
TIMES WHEN HANDLING.
SHUT OFF BALL VALVES BEFORE CONNECTING AND
OR DISCONNECTING.

ATTENTION !
SURFACE & FLUIDE CHAUDE!
12°C (54°F) TEMPERATURE DE FLUIDE.
PRÉCAUTIONS DOIVENT ÊTRE PRISES POUR PRÉVENIR
LES BLESSURES.
CONTACT PHYSIQUE AVEC LE FLUIDE DE TRANSFERT DE
CHALEUR, LIGNES DE CIRCULATION,
LIGNETTES ET GANTS DE PROTECTION DOIVENT ÊTRE
PORTÉS À TOUT MOMENT LORS DE LA MANIPULATION.
COUPEZ ROBINETS AVANT DE CONNECTER ET OU
DE BRANCHER.

WARNING !
RISK OF ELECTRIC SHOCK CAN
CAUSE INJURY OR DEATH:
DISCONNECT ALL REMOTE
ELECTRIC POWER SUPPLIES
BEFORE SERVICING

**RISQUE D'ÉLECTROCUTION CAUSE
DE BLESSURES OU DE MORT:
DISCONNECT TOUT REMOTE
ALIMENTATION ÉLECTRIQUE
AVANT D'ENTRETIEN**



WARNING!
RISK OF ELECTRIC SHOCK!
KEEP EXTENSION CORD CONNECTION
DRY AND OFF THE GROUND.

ATTENTION!
RISQUE DE CHOC ÉLECTRIQUE!
GARDEZ LE RAPPORT DE RALLONGE
ÉLECTRIQUE SEC ET HORS DE LA TERRE.



www.dryair.ca



Item No.	Part No.	Description	Qty.
1	003-902322	DECAL ELEC SCHEM MOD ES200 FC	1
2	003-902463	DECAL DRYAIR 9X1.5 05 BLUE VINYL	2
3	003-903397	DECAL EXT CORD USE	1
4	003-700185	DECAL CHK COIL RGLR 2-1/2X1-1/2	1
5	003-701524	DECAL CAUTION GLY SHUT VLV	1
6	003-903845	DECAL WARNING RISK OF SHOCK	1
7	003-902300	DECAL BWR SPD MOD ES200 FC	1
8	003-903355	DECAL WARNING EXT CORD SHOCK	1
9	003-906957	DECAL ES200 4T	2
10	003-906544	DECAL DRYAIR HEAT DRY THAW CURE 16-3/4L	1
11	003-906392	DECAL WWW.DRYAIR.CA 15X1.77 NEW BLUE	1
12	003-906748	DECAL QR OP MAN ES200	1



HEFA Fan Coil ES200
S/N: 1575-01 - Current

Part No. 023-903715
Rev. 01 05-02-2023