



Heat

Dry

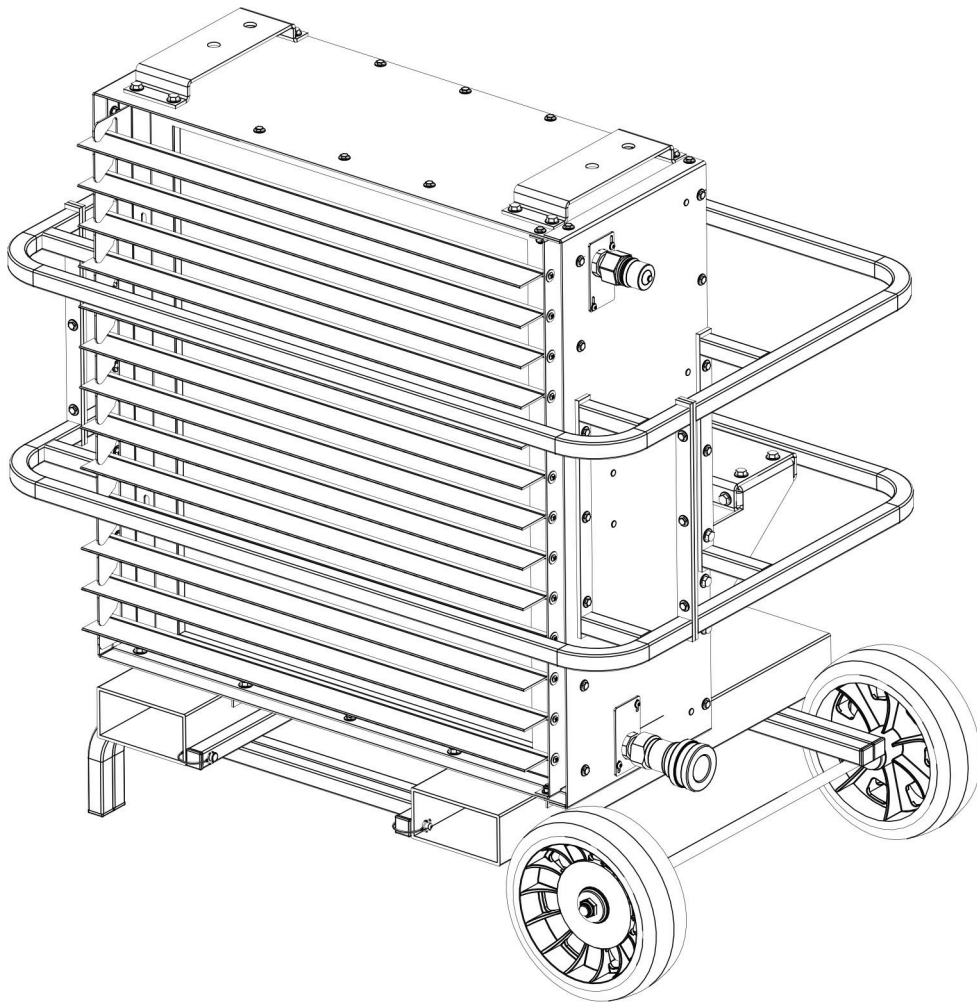
Thaw

Cure

# PARTS CATALOGUE

## HEFA Fan Coil

### Model XP250




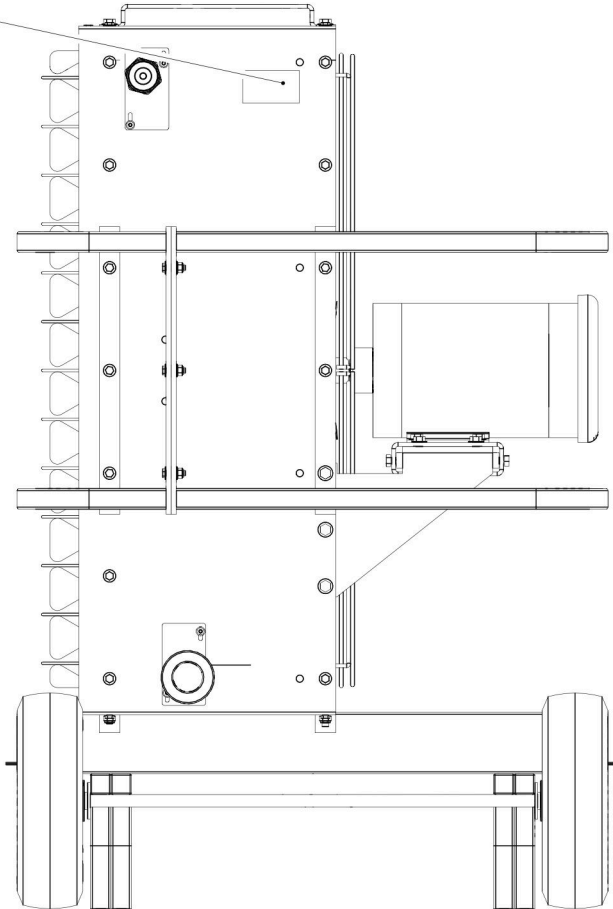
**DRYAIR MANUFACTURING CORP.**  
PO BOX 126, 400 SERVICE ROAD  
ST. BRIEUX, SK S0K 3V0  
CANADA  
[www.dryair.ca](http://www.dryair.ca)

Tel: 1 (306) 275-4848  
Toll-Free: 1 (888) 750-1700  
Fax: 1 (306) 275-4664  
Email: [parts@dryair.ca](mailto:parts@dryair.ca)



# HEFA Fan Coil Model XP250 Serial Number Location

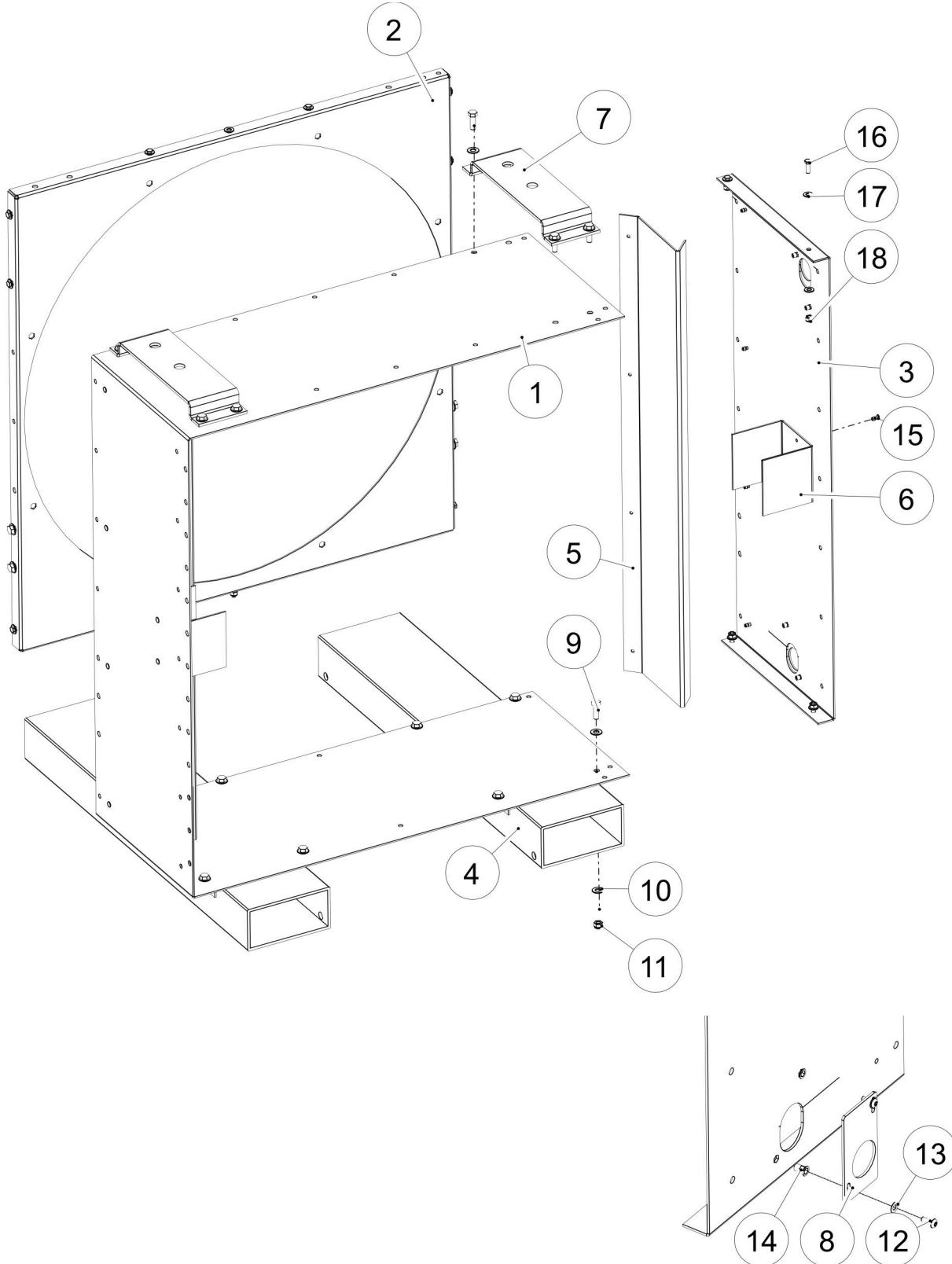
		P.O. Box 126 400 Service Road St. Bréviac, SK Canada S0K 3V0	
MADE IN CANADA / FABRIQUÉ EN CANADA			
Model - Modèle:			
Reference - Référence:			
Production Schedule: Calendrier de Production:			
003-700094-R05			





**HEFA Fan Coil  
Model XP250  
Table of Contents**

Cabinet.....	1.1.1
Fan .....	2.1.1
Coil .....	3.1.1
Cart.....	4.1.1
Decals .....	5.1.1

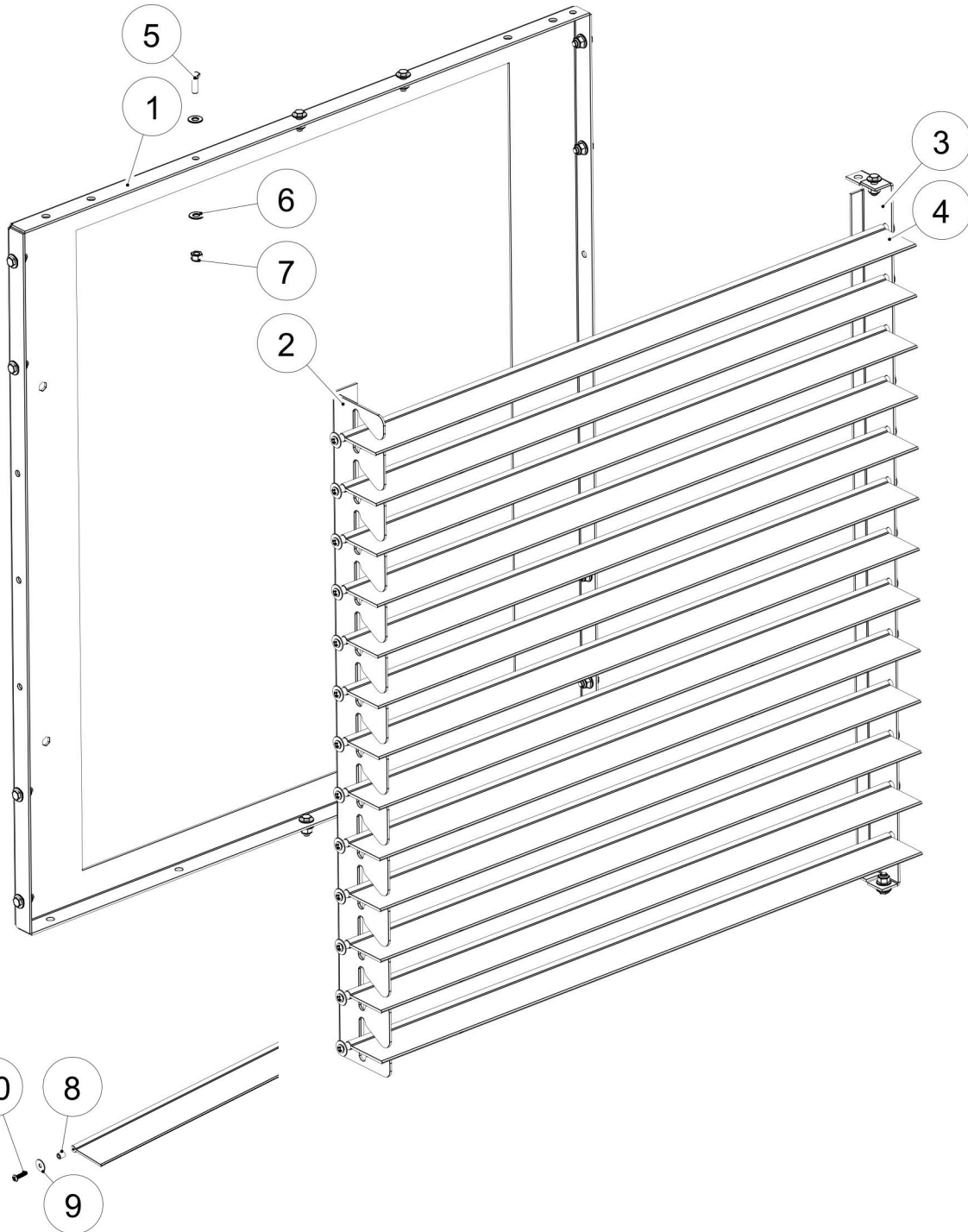




**HEFA Fan Coil  
Model XP250  
Cabinet**

S/N: 1569-01 -  
S/N: Current  
PAGE: 1.1.2

Item No.	Part No.	Description	Qty.
1	004-902376	PNL BODY MOD XP250 FC	1
2	004-902374	PNL RING HSG MOD XP250 FC	1
3	004-902377	PNL END MOD XP250 FC	1
4	004-902402	ANG AL 1X1X1/8 1L CW HOLE	2
5	004-902372	PNL BAFFLE MOD XP250 FC	2
6	004-902371	BRKT COIL STP MOD XP250 FC	2
7	004-902385	BRKT HANGER MOD XP250 FC	2
8	004-902381	PLT FLSHG MOD XP250 FC	2
9	001-902419	BOLT 5/16X1 SS UNC	16
10	001-703916	WSHR FLT 5/16 SS	32
11	001-703915	NUT LKG 5/16 SS UNC	16
12	001-704515	SCRW MACH 10-24X1/2 SS UNC BTN HD 1/8HEX DR	4
13	001-703909	WSHR FLT #10 SS	4
14	001-703564	INSERT THD 10-24 HEX BODY	4
15	001-702149	RIVET 3/16D X 3/8GRP ALUM	12
16	001-902418	BOLT 1/4X3/4 SS UNC	4
17	001-703921	WSHR FLT 1/4 SS	8
18	001-703922	NUT LKG 1/4 UNC SS	4

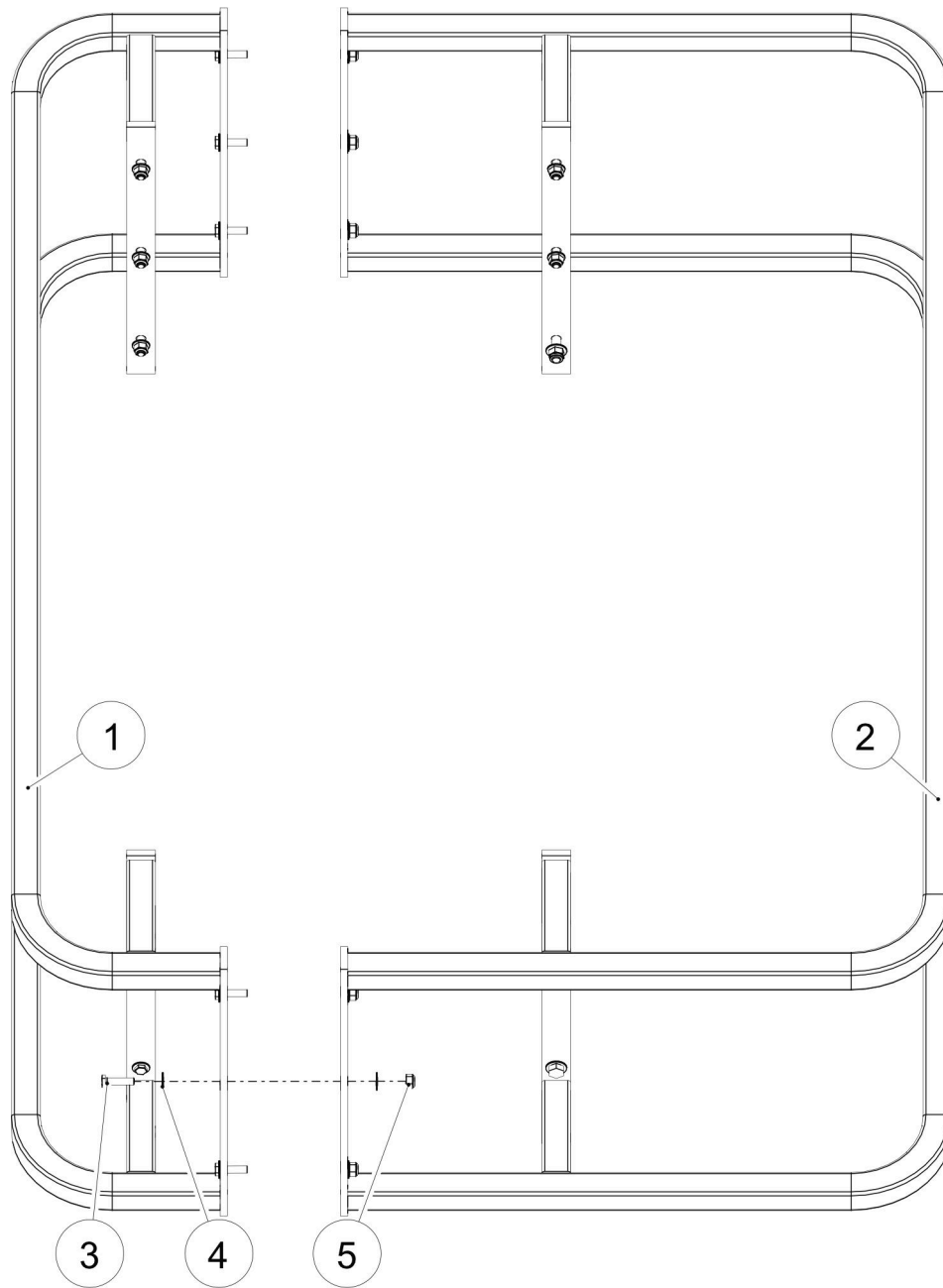




**HEFA Fan Coil  
Model XP250  
Cabinet**

S/N: 1569-01 -  
S/N: Current  
PAGE: 1.1.4

Item No.	Part No.	Description	Qty.
1	004-902373	PNL FRONT HSG MOD XP250 FC	1
2	004-902379	BRKT CTRL LVR MOD XP250 FC	1
3	004-902378	BRKT MNT LVR MOD XP250 FC	1
4	004-902387	LOUVER XP250 FC	13
5	001-902418	BOLT 1/4X3/4 SS UNC	12
6	001-703921	WSHR FLT 1/4 SS	24
7	001-703922	NUT LKG 1/4 UNC SS	12
8	001-902397	SPCR NYL 5/16 ODX11/32ID	26
9	001-902396	WSHR FENDER SS #10X11/16OD	26
10	001-902395	SCRW THREAD FORMING SS #10-16X3/4L	26



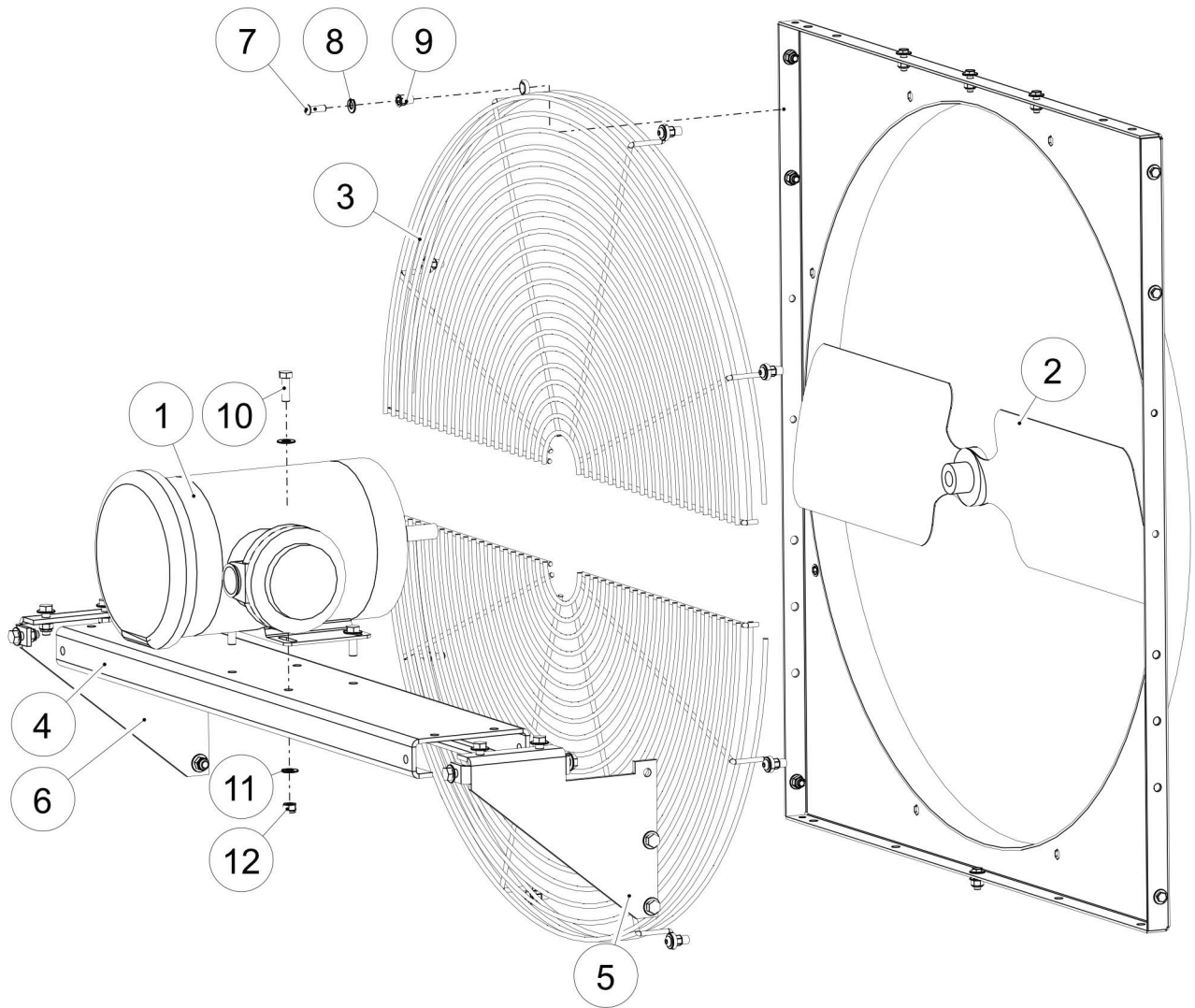




**HEFA Fan Coil  
Model XP250  
Cabinet**

**S/N: 1569-01 -  
S/N: Current  
PAGE: 1.1.6**

<b>Item No.</b>	<b>Part No.</b>	<b>Description</b>	<b>Qty.</b>
1	004-902363	GUARD FRONT MOD XP250 FC	1
2	004-902364	GUARD REAR MOD XP250 FC	1
3	001-902421	BOLT 1/4X1 SS UNC	18
4	001-703921	WSHR FLT 1/4 SS	36
5	001-703922	NUT LKG 1/4 UNC SS	18

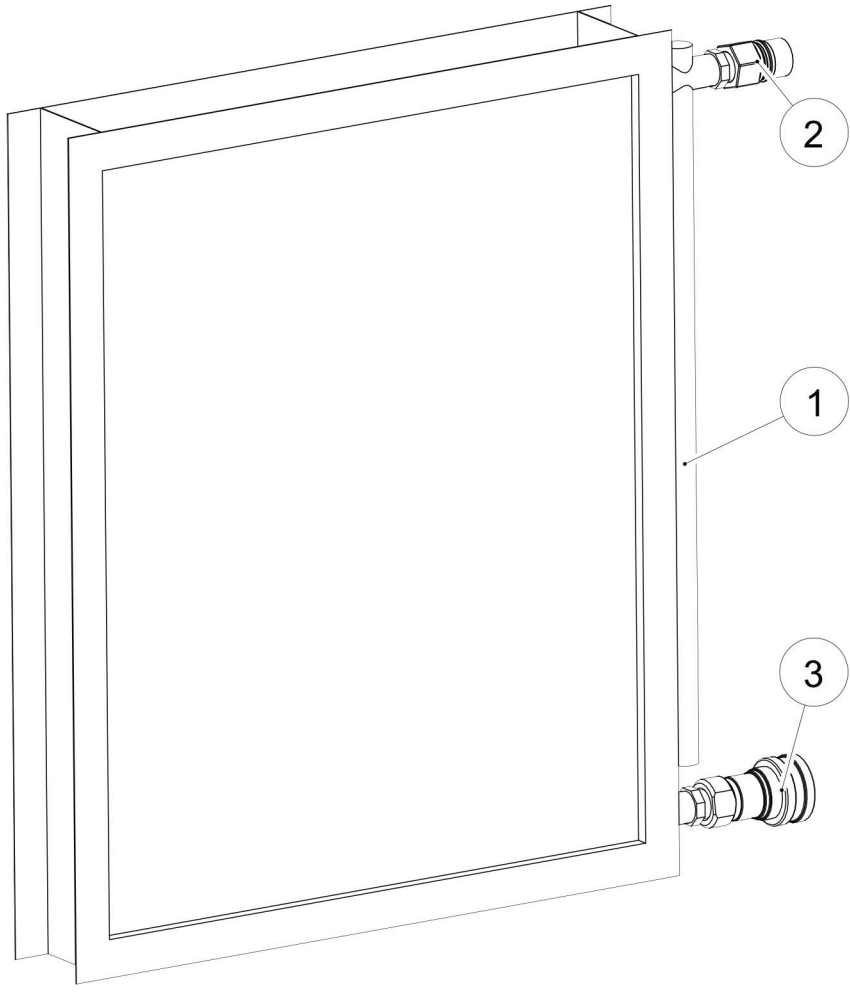
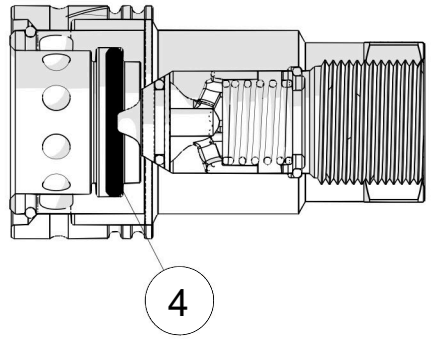




**HEFA Fan Coil  
Model XP250  
Fan**

S/N: 1569-01 -  
S/N: Current  
PAGE: 2.1.2

Item No.	Part No.	Description	Qty.
1	012-902391	MOTOR 1/4HP EXPLOSION PROOF	1
2	012-902390	PROP 30DIA 10DEG 2BLADE CW	1
3	004-902389	GUARD FAN XP250 FC	2
4	004-902384	CHNL MTR MNT MOD XP250 FC	1
5	v004-902383	BRKT MTR MNT LFT MOD XP250 FC	1
6	004-902382	BRKT MTR MNT RGHT MOD XP250 FC	1
7	001-704516	SCRW MACH 1/4-20X3/4 SS BTN HD 5/32HEX DR	8
8	001-703921	WSHR FLT 1/4 SS	8
9	001-703896	INSERT THD 1/4 UNC HEX BODY	8
10	001-902419	BOLT 5/16X1 SS UNC	16
11	001-703916	WSHR FLT 5/16 SS	32
12	001-703915	NUT LKG 5/16 SS UNC	16





**HEFA Fan Coil  
Model XP250  
Coil**

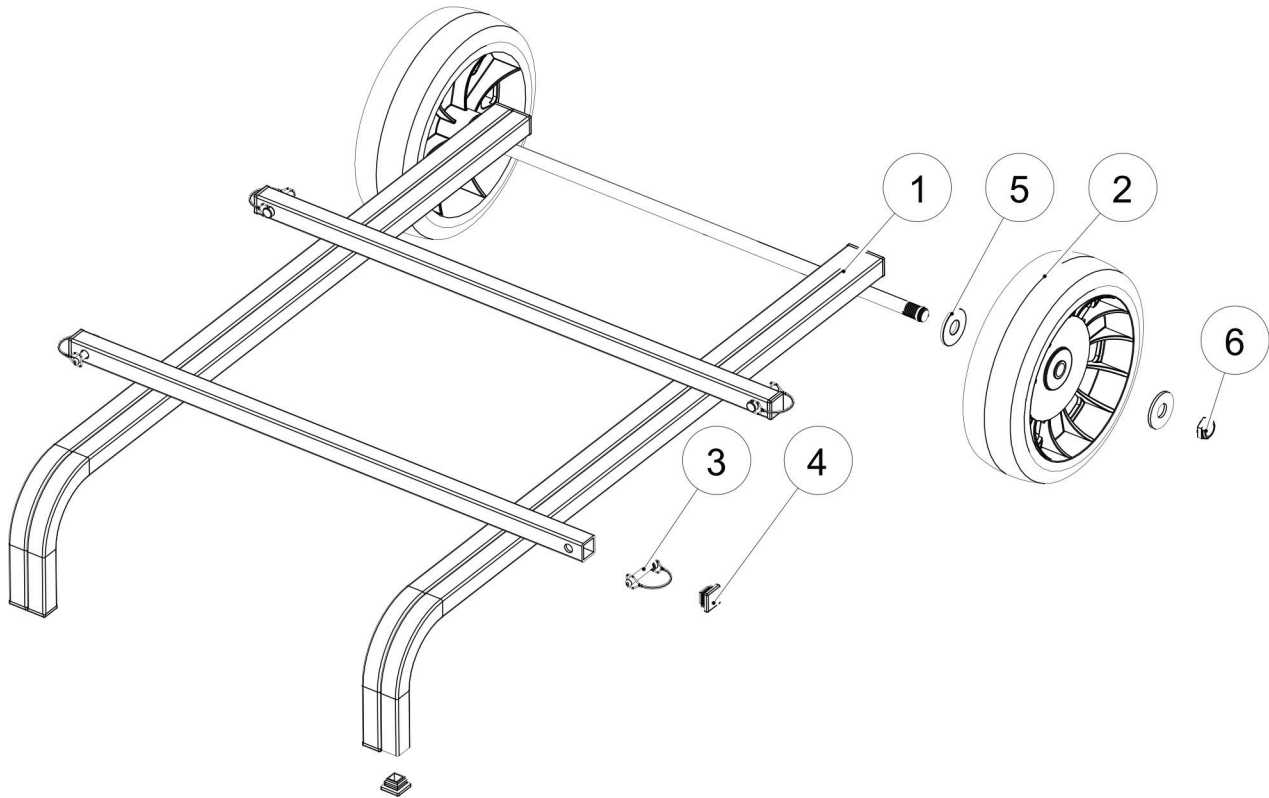
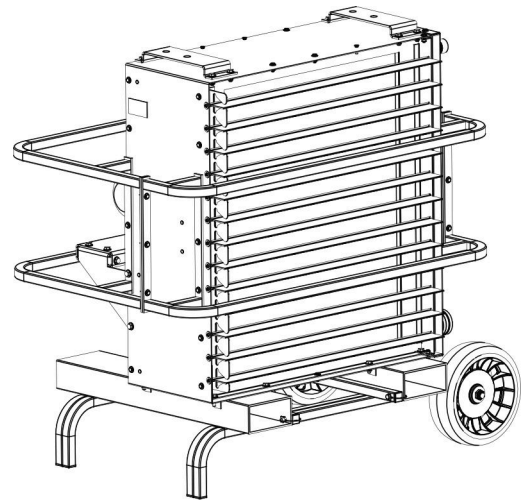
**S/N: 1569-01 -  
S/N: Current  
PAGE: 3.1.2**

Item No.	Part No.	Description	Qty.
1	012-700058	COIL WTR 4WS3B-24TX24	1
2	011-701375	QC NIPL BRS 1 60 SERIES	1
3	011-701374	QC CPLR BRS 1 60 SERIES	1
4	006-702957	O-RING 1IN QC CPLR (.141)	2



**HEFA Fan Coil  
Model XP250  
Cart**

S/N: 1569-01 -  
S/N: Current  
PAGE: 4.1.1





**HEFA Fan Coil  
Model XP250  
Cart**

S/N: 1569-01 -  
S/N: Current  
PAGE: 4.1.2

Item No.	Part No.	Description	Qty.
	<b>018-902394</b>	<b>ASSY CART XP250 FC</b> (Includes 1-6)	<b>1</b>
1	004-902408	FRAME CART XP250 FC	1
2	009-902330	WHEEL 10X3 D6SS CW 5/8ID PRECISION BEARING	2
3	001-902392	PIN LOCK SS 5/16X1-3/8L	4
4	016-700718	CAP PLSTC BLK 1X1X100W TBG	8
5	001-703306	WSHR FLAT 5/8 PLT PLD	4
6	001-902393	NUT LKG NYL JAM 5/8 UNC PLD	2



# HEFA Fan Coil Model XP250 Decals

S/N: 1569-01 -  
S/N: Current  
PAGE: 5.1.1

1

FANCOIL IS SUITABLE FOR USE IN HAZARDOUS LOCATIONS ONLY IF FITTED WITH AN APPROVED ELECTRIC MOTOR AND THE HEAT TRANSFER FLUID IS BELOW THE IGNITION TEMPERATURE OF THE ATMOSPHERE.

USE ONLY WITH OPEN (ATMOSPHERICALLY) VENTED CIRCULATION SYSTEMS NOT EXCEEDING 45 PSI.

ENSURE INSTALLATION IS PERFORMED BY A QUALIFIED ELECTRICIAN EXPERIENCED WITH HAZARDOUS LOCATION EQUIPMENT.

003-902485

2



3

**ATTENTION!**

**REMOVE CART BEFORE SHIPPING!**

003-902464

4

**CHECK COILS REGULARLY AND CLEAN WHEN REQUIRED**

SEE YOUR OPERATOR'S MANUAL FOR DETAILS

700185

5

**CAUTION !**

**HOT SURFACE & FLUID LINES**

82°C (180°F) FLUID TEMPERATURE. PRECAUTIONS MUST BE TAKEN TO PREVENT INJURY FROM PHYSICAL CONTACT WITH THE HEAT TRANSFER FLUID & CIRCULATION LINES. PROTECTIVE EYEWEAR & GLOVES MUST BE WORN AT ALL TIMES WHEN HANDLING. SHUT OFF BALL VALVES BEFORE CONNECTING AND OR DISCONNECTING.

**ATTENTION !**

**SURFACE & FLUIDE CHAUDE!**

82 °C (180 °F) TEMPERATURE DE LIQUIDE. PRÉCAUTIONS DOIVENT ÊTRE PRISES POUR PRÉVENIR LES BLESSURES. CONTACT PHYSIQUE AVEC LE FLUIDE DE TRANSFERT DE CHALEUR & LIGNES DE CIRCULATION. LUNETTES ET GANTS DE PROTECTION DOIVENT ÊTRE PORTÉS À TOUT TEMPS LORS DE LA MANIPULATION. COUPEZ ROBINETS AVANT DE CONNECTER ET/OU DE DÉBRANCHER.

003-902462

6

**WARNING**

ROTATING FAN BLADES CAN CAUSE SERIOUS INJURY.

DO NOT OPERATE WITH GUARDS REMOVED.

003-902462

Item No.	Part No.	Description	Qty.
1	003-902485	DECAL INFO OPR XP250	1
2	003-902463	DECAL DRYAIR 9X1.5 05 BLUE VINYL	2
3	003-902464	DECAL ATTN REMOVE CART	1
4	003-700185	DECAL CHK COIL RGLR 2-1/2X1-1/2	1
5	003-701524	DECAL CAUTION GLY SHUT VLV	1
6	003-902462	DECAL WARNING ROTATING FAN	1







---

**HEFA Fan Coil Model XP250**  
S/N: 1569-01 - Current

**Part No. 023-905856**  
Rev. 00 01-11-2023