



Heat

Dry

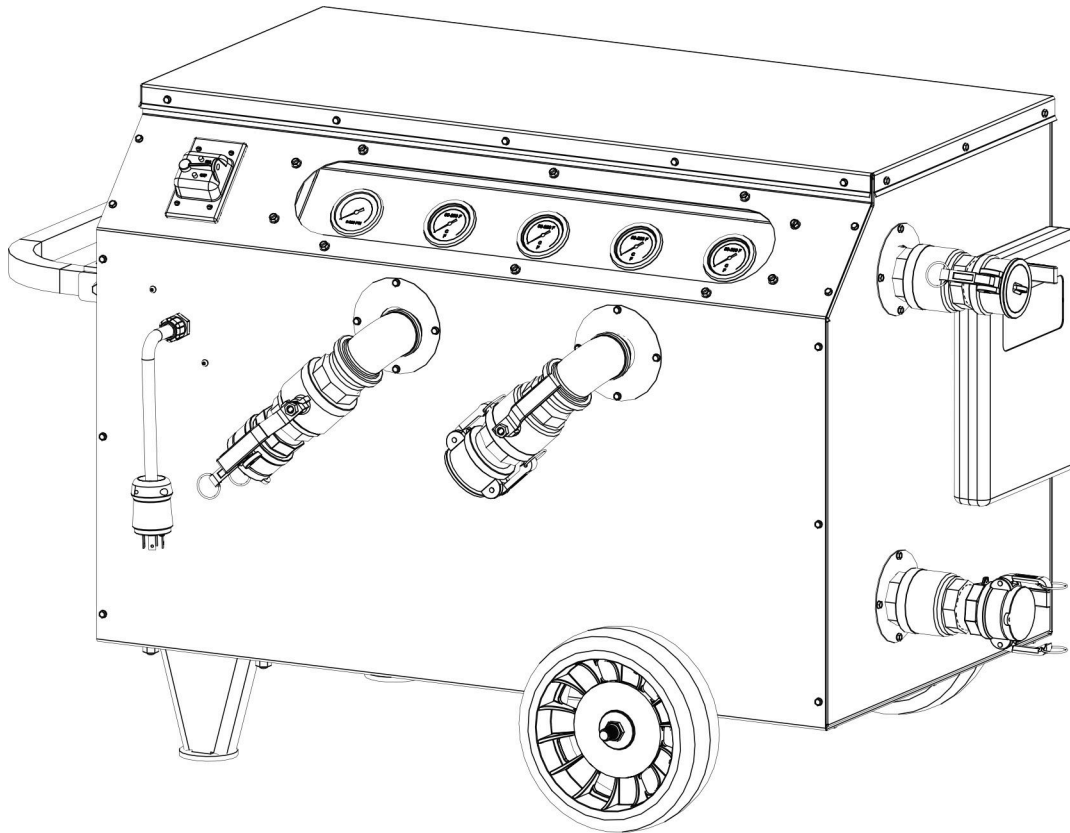
Thaw

Cure

# PARTS CATALOGUE

## HEFF1M

### Plate Heat Exchanger

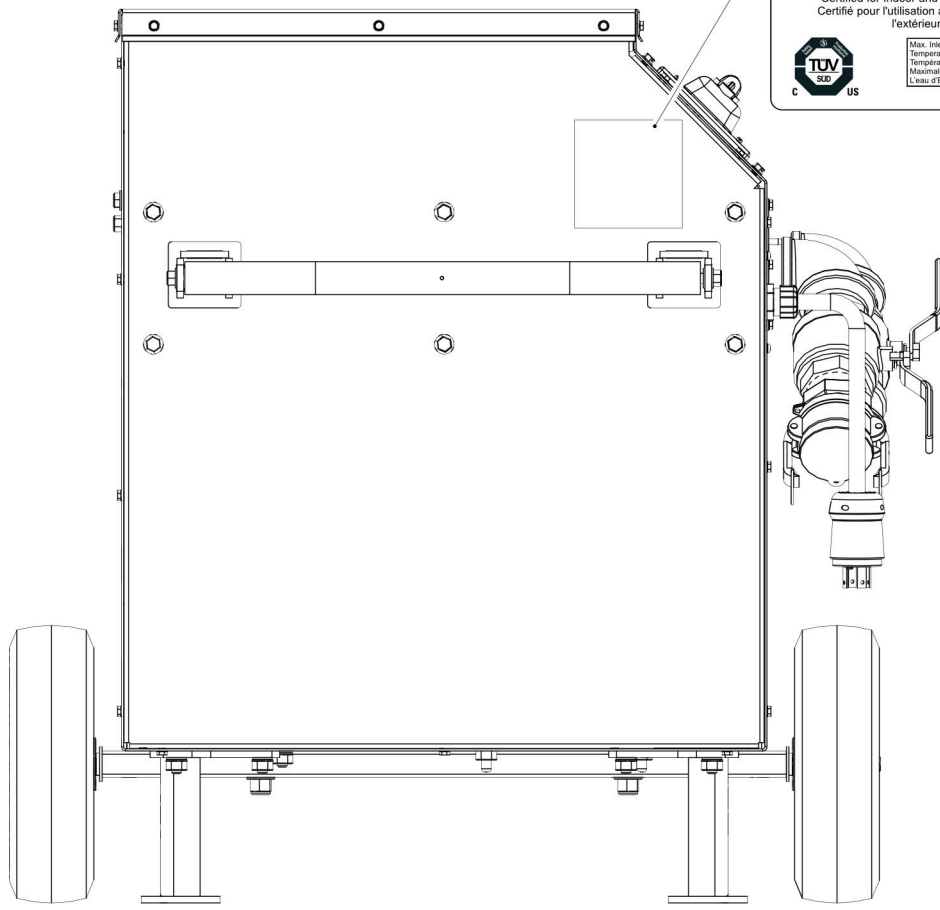


**DRYAIR MANUFACTURING CORP.**  
PO BOX 126, 400 SERVICE ROAD  
ST. BRIEUX, SK S0K 3V0  
CANADA  
[www.dryair.ca](http://www.dryair.ca)

Tel: 1 (306) 275-4848  
Toll-Free: 1 (888) 750-1700  
Fax: 1 (306) 275-4664  
Email: [parts@dryair.ca](mailto:parts@dryair.ca)



# HEFF1M Plate Heat Exchanger Serial Number Location

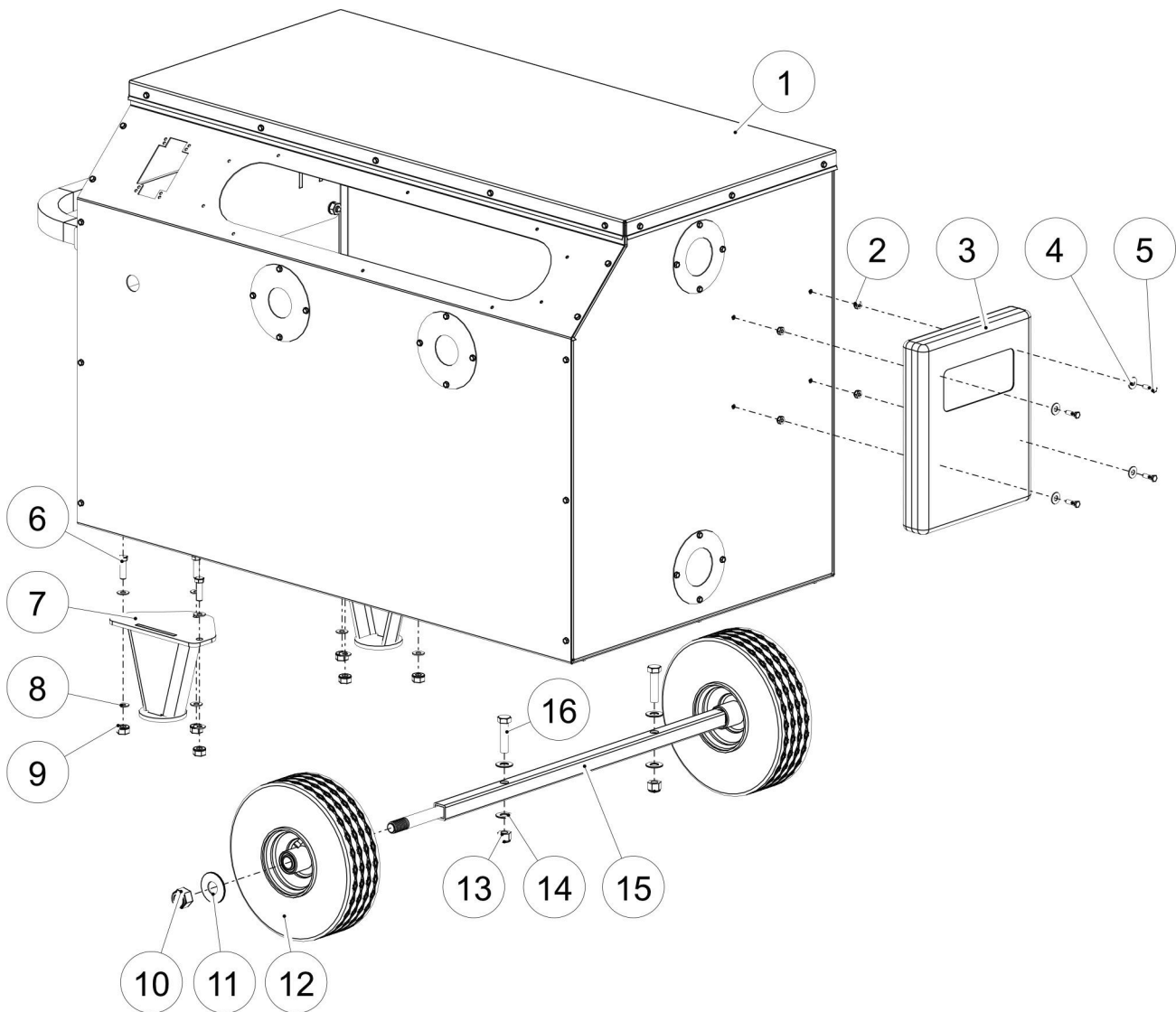


<b>DRYAIR</b>		P.O. Box 126 400 Service Road St. Brieux, Sk. Canada
Model / Modèle:		
Production Schedule / Calendrier de Production:		
Reference / Référence:		
<b>Motor Data / Données Moteur</b>		
HP		
Volts		
Hz	60	
Ambient / Ambient:	60°C	
RPM		
Max. Ampacity / Max. Ampacité:		
Speed / Vitesse:		
Certified for Indoor and Outdoor Use / Certifié pour l'utilisation à l'intérieur et à l'extérieur		
		Max. Inlet Water Temperature / Température Maximale de L'eau d'Entrée: 85°C
003-90386 R01		



# HEFF1M Plate Heat Exchanger Table of Contents

Cabinet Components.....	1.1.1
Cabinet Panelling .....	1.1.3
Handle Components.....	1.1.5
Pump Components.....	2.1.1
Plumbing Components .....	3.1.1
Plate Plumbing .....	3.1.1
Pump Supply Plumbing .....	3.1.3
Boiler Supply Plumbing .....	3.1.5
Boiler Return Plumbing .....	3.1.7
External Return Plumbing .....	3.1.9
Expansion Tank Plumbing .....	3.1.11
Check Valve Plumbing.....	3.1.13
Instrument Panel .....	4.1.1
Electrical Components .....	5.1.1
Decals .....	6.1.1

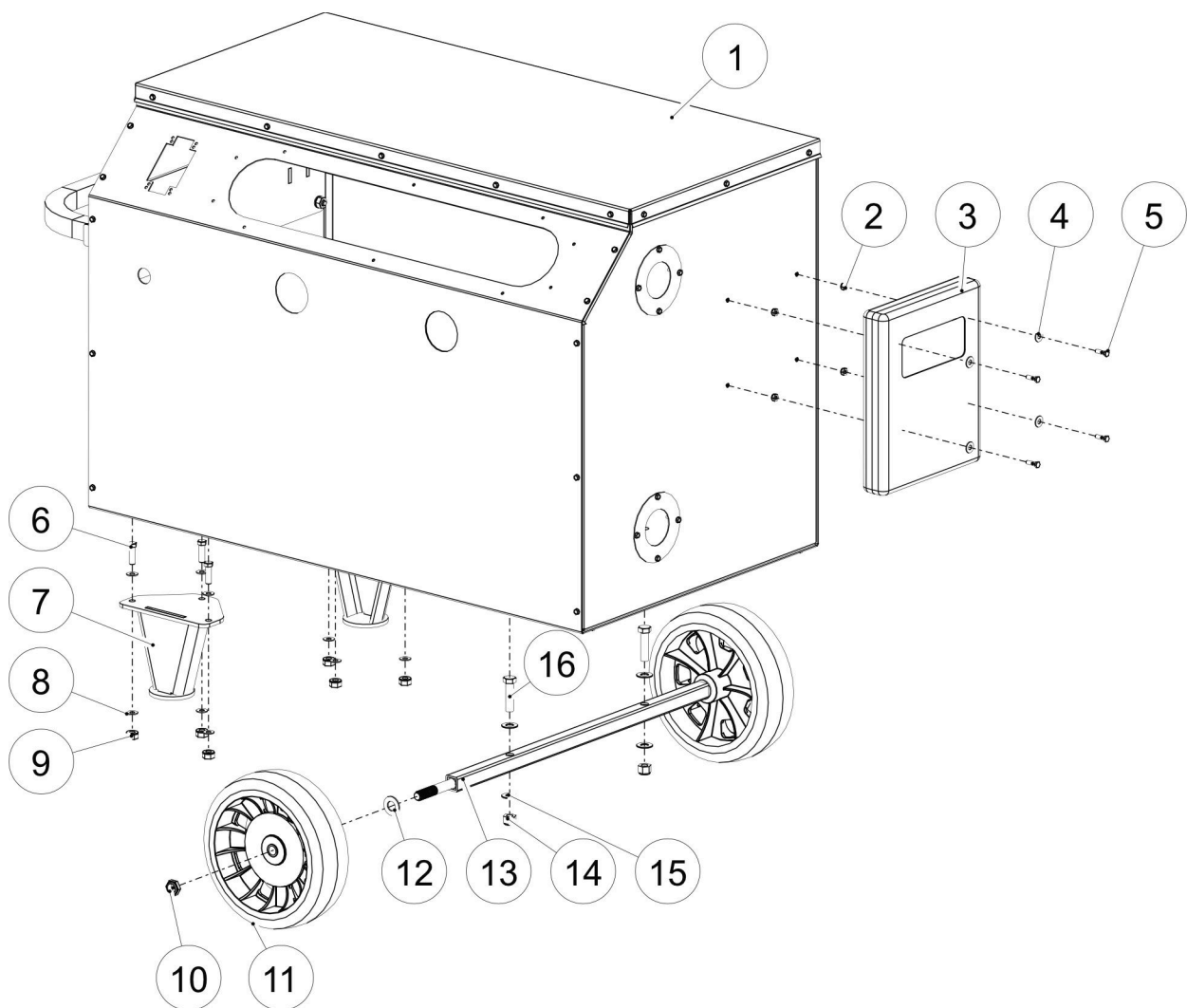




**HEFF1M**  
**Plate Heat Exchanger**  
**Cabinet Components**

S/N: 1117-01 -  
S/N: 1830-05  
PAGE: 1.1.2

Item No.	Part No.	Description	Qty.
1		CABINET PANELLING	1.1.3
2	001-700042	NUT LKG NYL 1/4 UNC PLD	4
3	016-702616	CASE OPR MNL MANUAL-PAK	1
4	001-700129	WSHR FLT 1/4 PLD	4
5	001-701482	BOLT 1/4X3/4 PLD GR5	4
6	001-700960	BOLT 3/8X1-1/4 PLD GR5	6
7	010-702833	LEG HEAT EXCH	2
8	001-700742	WSHR FLT 5/16 PLD	12
9	001-700721	NUT LKG NYL 3/8 UNC PLD	6
10	001-700544	NUT LKG NYL 3/4 UNC PLD	2
11	001-700546	WSHR FLT 3/4 PLD	2
12	009-700665	WHEEL 2PLY TUBELESS 4.10/350X4	2
13	001-701606	NUT LKG NYL 1/2 UNC PLD	2
14	001-700110	WSHR FLT 1/2 SAE PLD	4
15	010-702852	AXLE PLT HEAT EXCH	1
16	001-700474	BOLT 1/2X2 PLD GR5	2

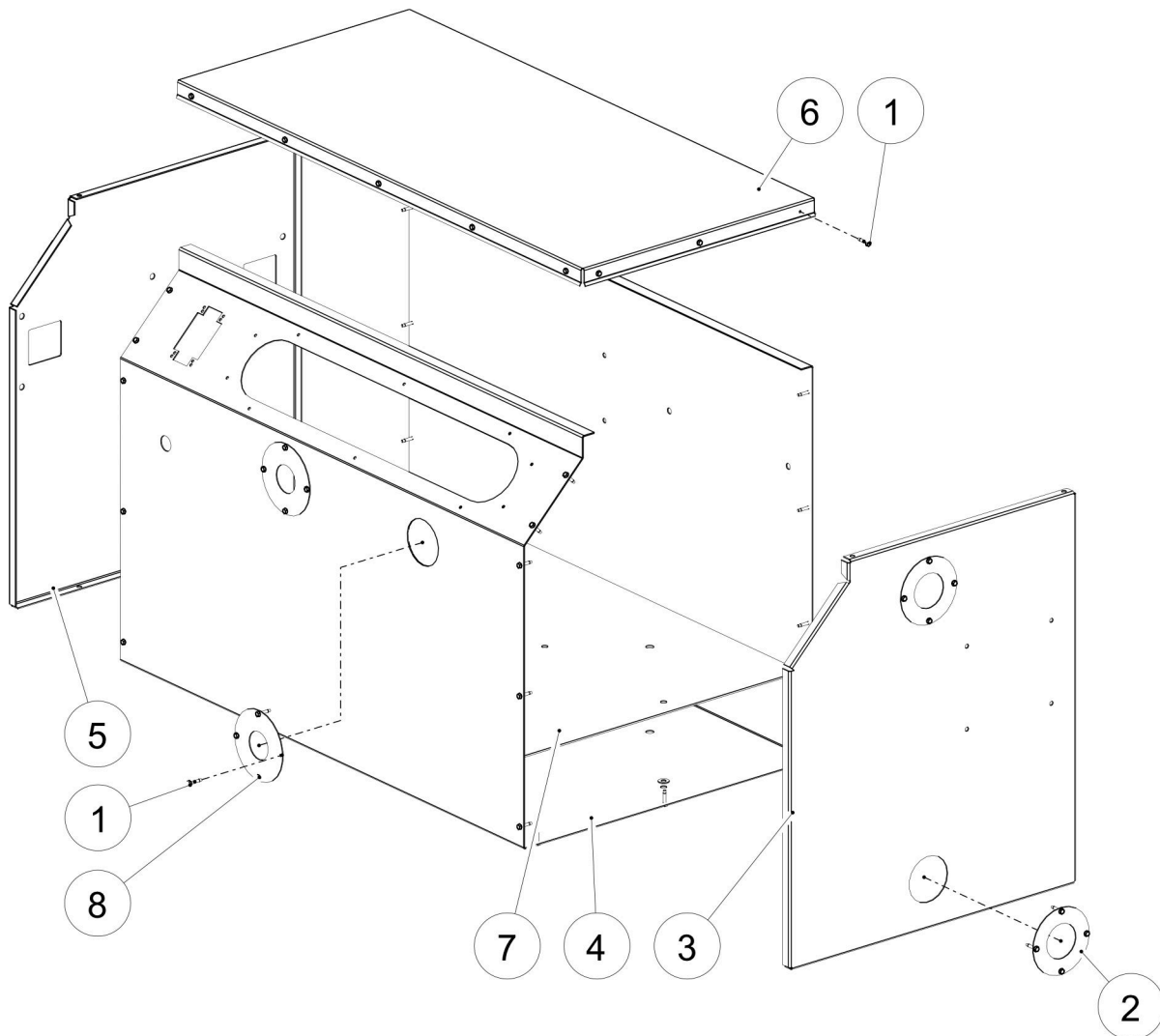




**HEFF1M**  
**Plate Heat Exchanger**  
**Cabinet Components**

S/N: 1840-01 -  
S/N: Current  
PAGE: 1.2.2

Item No.	Part No.	Description	Qty.
1		CABINET PANELLING	1.2.3
2	001-700042	NUT LKG NYL 1/4 UNC PLD	4
3	016-702616	CASE OPR MNL MANUAL-PAK	1
4	001-700129	WSHR FLT 1/4 PLD	4
5	001-701482	BOLT 1/4X3/4 PLD GR5	4
6	001-700960	BOLT 3/8X1-1/4 PLD GR5	6
7	010-702833	LEG HEAT EXCH	2
8	001-700742	WSHR FLT 5/16 PLD	12
9	001-700721	NUT LKG NYL 3/8 UNC PLD	6
10	001-902393	NUT LKG NYL JAM 5/8 UNC PLD	2
11	009-902330	WHEEL 10X3 D6SS CW 5/8ID PRECISION BEARING	2
12	001-700944	WSHR FLT 5/8 SAE PLD	2
13	004-905607	AXLE PLT HEAT EXCH 5/8	1
14	001-701606	NUT LKG NYL 1/2 UNC PLD	2
15	001-700110	WSHR FLT 1/2 SAE PLD	4
16	001-700474	BOLT 1/2X2 PLD GR5	2



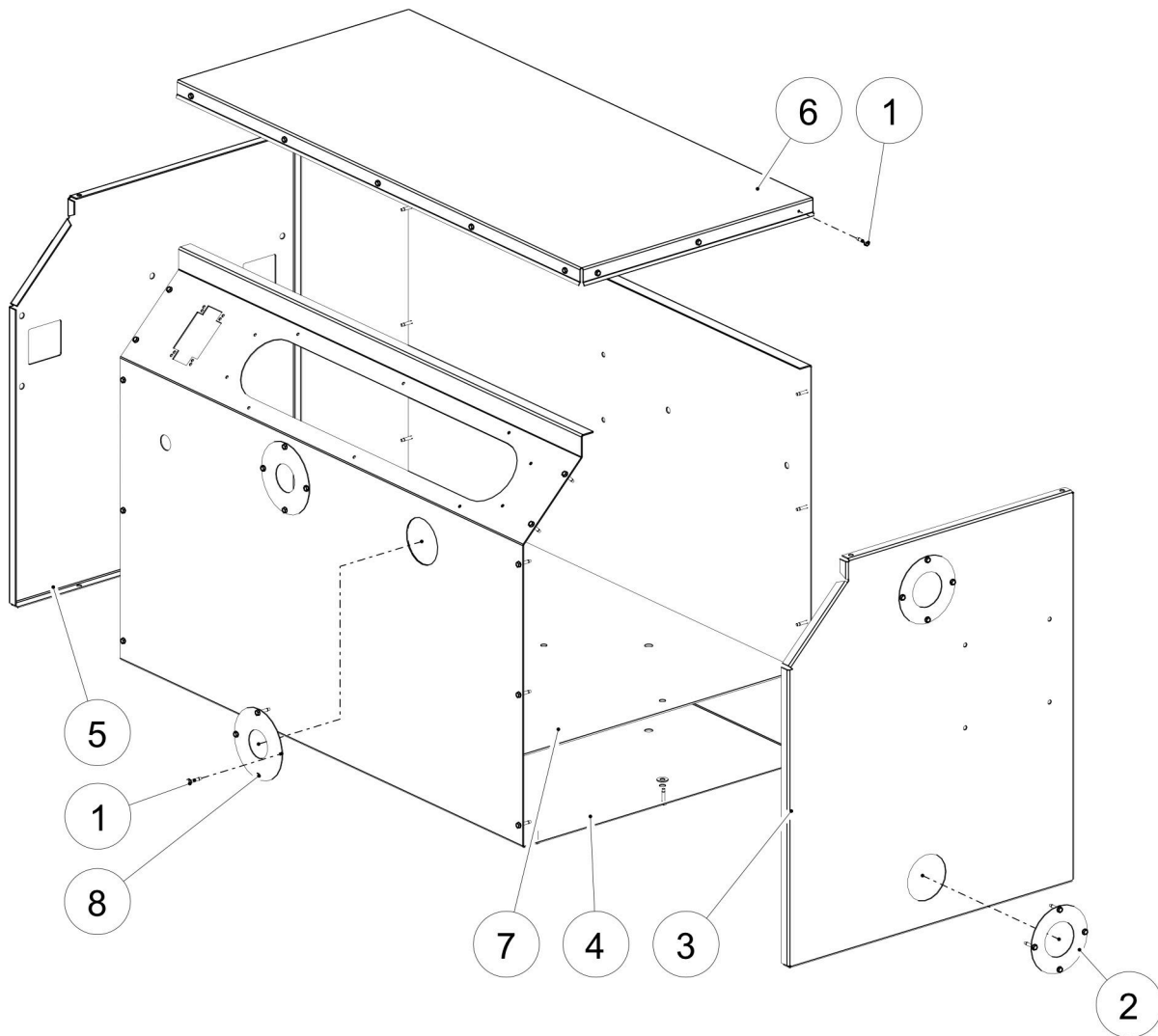




**HEFF1M  
Plate Heat Exchanger  
Cabinet Panelling**

S/N: 1117-01 -  
S/N: 1779-06  
PAGE: 1.1.4

Item No.	Part No.	Description	Qty.
1	001-700629	SCRW D/T 10-16X3/4 5/16HEX HD PLD	56
2	004-702823	DISC FLSHG 2IN BLK PIPE	2
3	004-702866	PNL RIGHT SIDE GLY-GLY HEAT EXCH UNIT R02	1
4	004-702816	PNL BODY HEAT EXCH UNIT R02	1
5	004-702818	PNL LEFT SIDE HEAT EXCH UNIT R01	1
6	004-702819	PNL TOP HEAT EXCH	1
7	004-702813	PLT BASE HEAT EXCH R02	1
8	004-702822	DISC FLSHG 1-1/2IN BLK PIPE	2

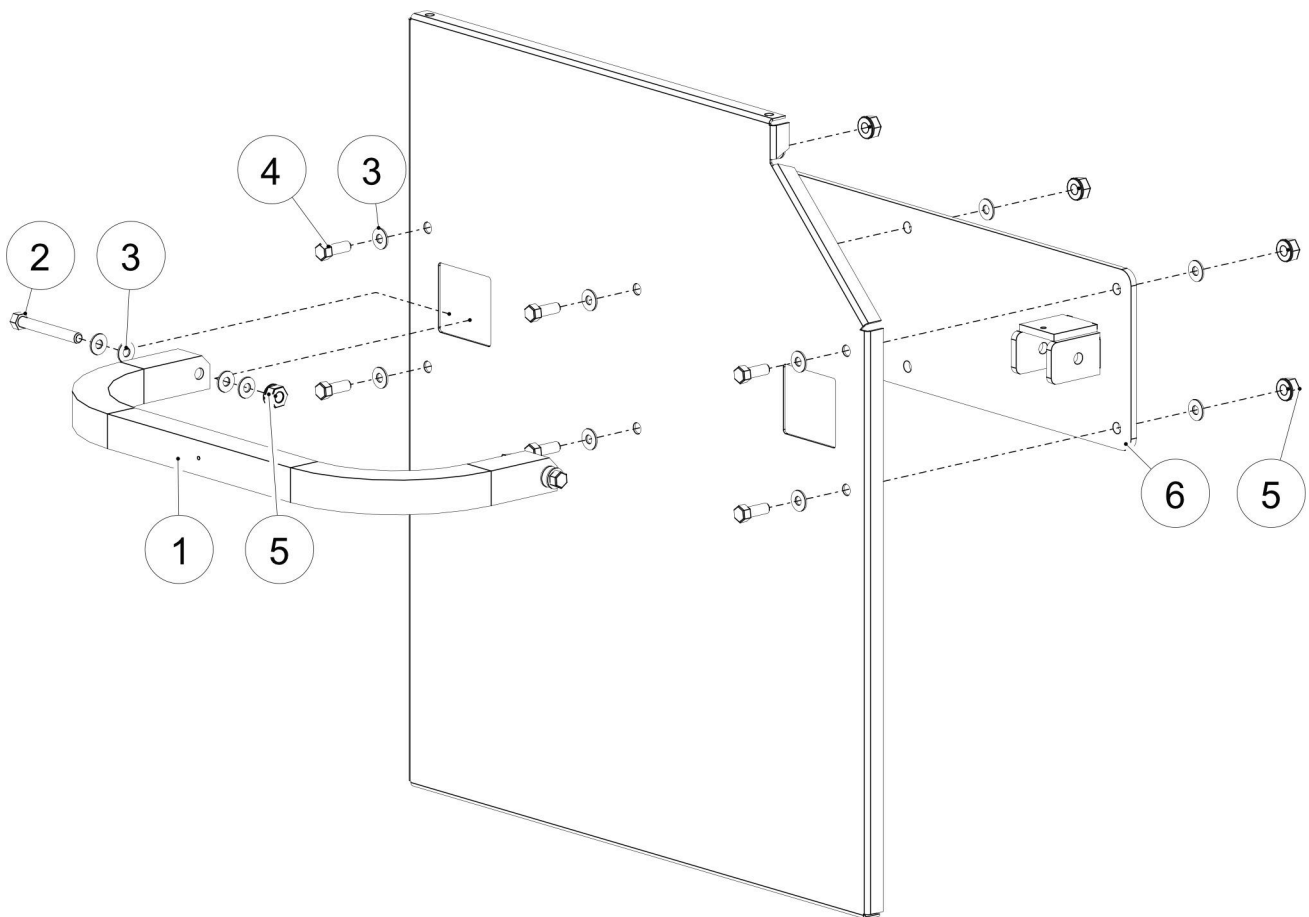




**HEFF1M  
Plate Heat Exchanger  
Cabinet Panelling**

S/N: 1830-01 -  
S/N: Current  
PAGE: 1.2.4

Item No.	Part No.	Description	Qty.
1	001-700629	SCRW D/T 10-16X3/4 5/16HEX HD PLD	56
2	004-702823	DISC FLSHG 2IN BLK PIPE	2
3	004-904546	PNL RGHT MOD 1200 PHE	1
	004-906902	PNL RIGHT 1200 PHE BLUE	1
4	004-904542	PANEL BODY MOD 1200 PHE	1
	004-906901	PNL BODY 1200 PHE BLUE	1
5	004-702818	PNL LEFT SIDE HEAT EXCH UNIT R01	1
	004-906903	PNL LEFT 1200 PHE BLUE	1
6	004-702819	PNL TOP HEAT EXCH	1
	004-906904	PNL TOP 1200 PHE BLUE	1
7	004-904543	PLATE BASE MOD 1200 PHE	1
	004-906900	PLT BASE 1200 PHE BLUE	1
8	004-702822	DISC FLSHG 1-1/2IN BLK PIPE	2

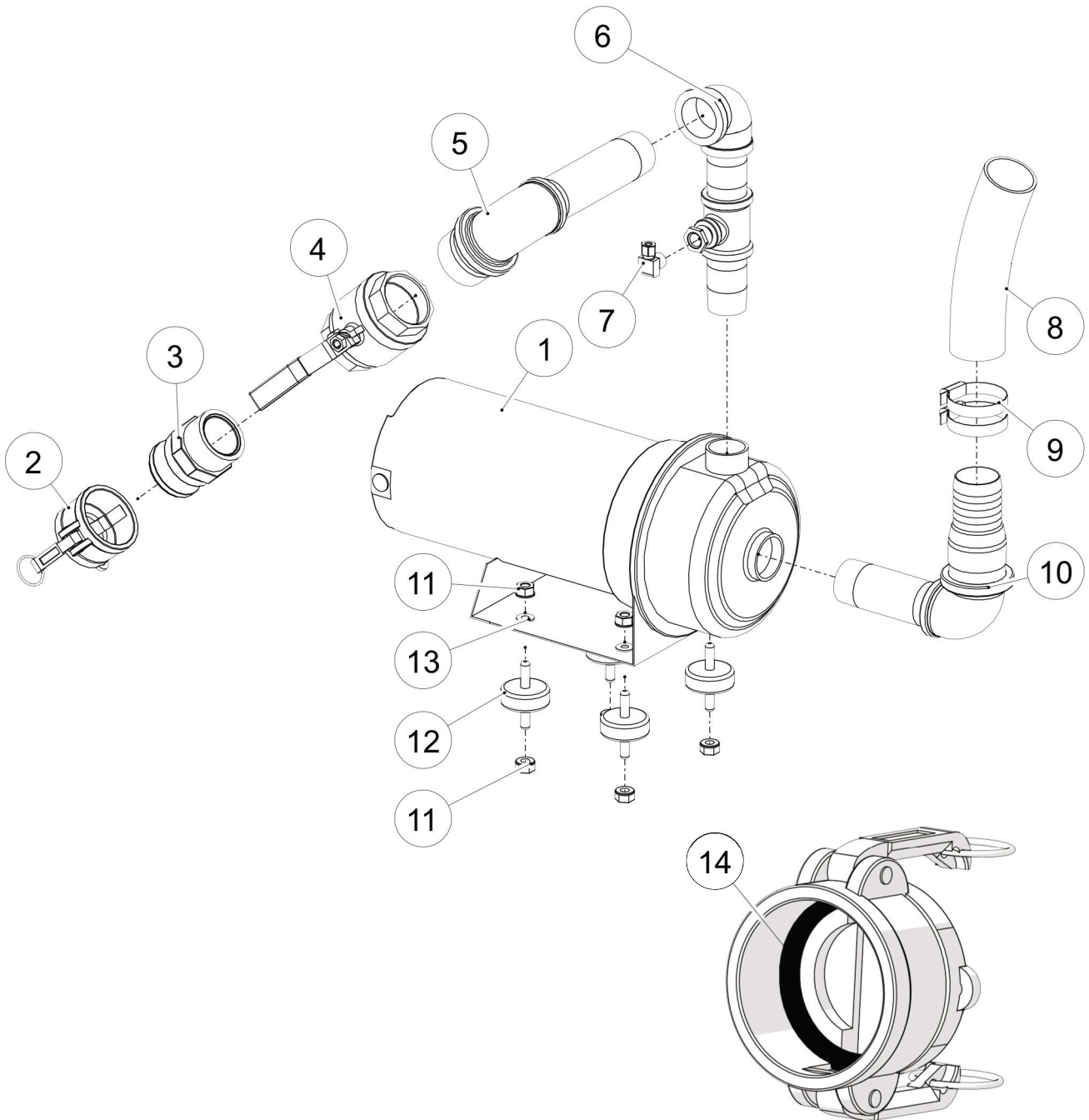




**HEFF1M**  
**Plate Heat Exchanger**  
**Handle Components**

S/N: 1117-01 -  
S/N: Current  
PAGE: 1.1.6

Item No.	Part No.	Description	Qty.
1	004-702829	HNDL HEAT EXCH	1
2	001-700887	BOLT 3/8X3 PLD GR5	2
3	001-700742	WSHR FLT 5/16 PLD	16
4	001-700804	BOLT 3/8X1 PLD GR5	6
5	001-700721	NUT LKG NYL 3/8 UNC PLD	8
6	010-702828	BRKT HDL MNT HEAT EXCH	1

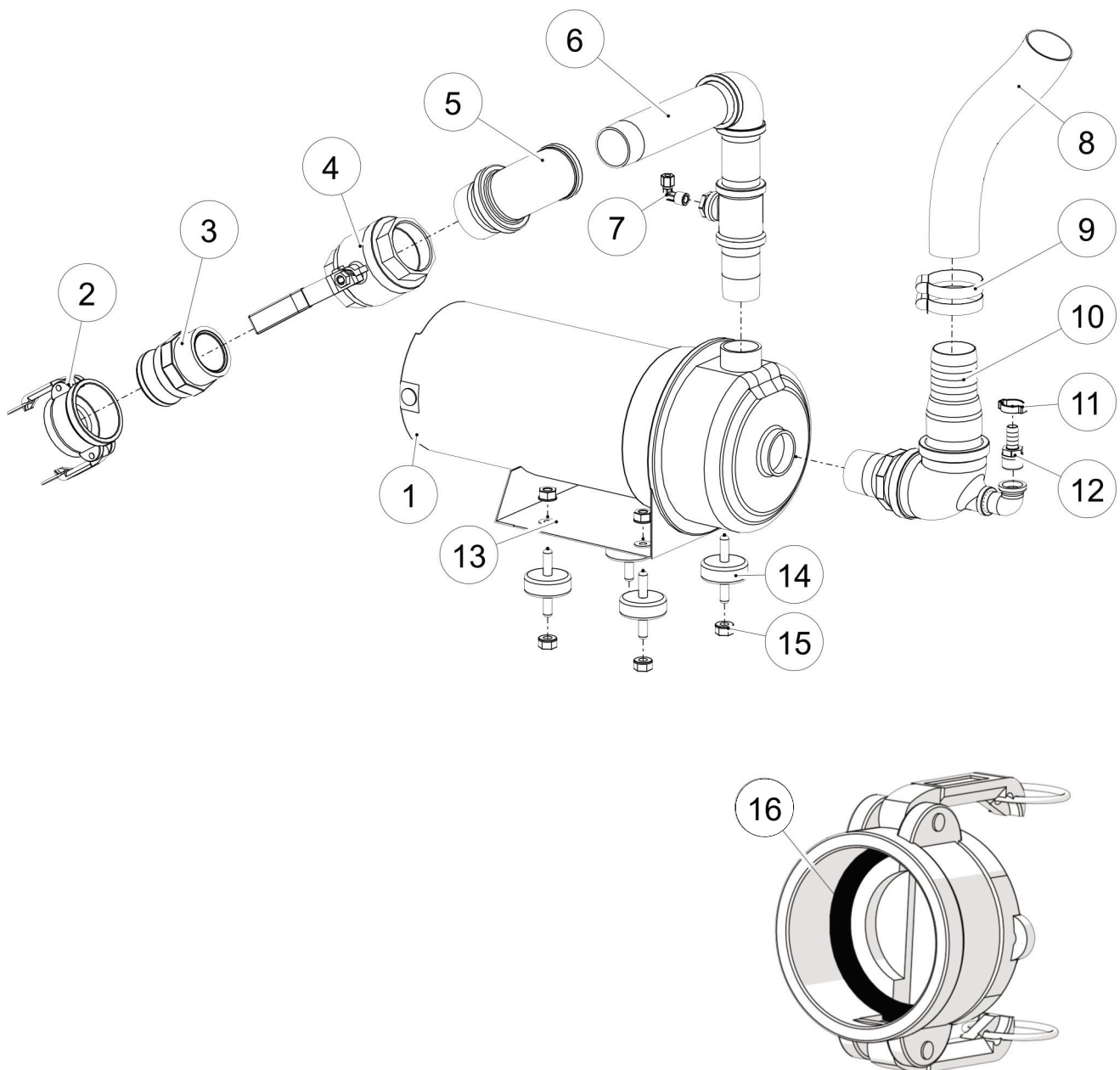




**HEFF1M  
Plate Heat Exchanger  
Pump Components**

S/N: 1117-01 -  
S/N: 1779-06  
PAGE: 2.1.2

Item No.	Part No.	Description	Qty.
1	012-702751	PUMP see page 2.1.3	1
2	011-700390	KMLCK 2 PART DC DUST CAP AL	1
3	011-700278	KMLCK 2 PART F ADPTR AL NPTM	1
4	011-701442	VLV BALL 2 FL PT CSA/UL	1
5	018-702924	PKG PLMB EXT SPLY PLT HEAT EXCH	1
6	018-702923	PKG PLMB PUMP OUTLET PLT HEAT EXCH	1
7	011-701077	CPRSN FTG ELB 1/4TX3/8 90DEG MPT	1
8	013-700267	HOSE 2 VERSIFLO CW WIRE HELIX	8.5IN
9A	001-700337	CLP HOSE HS32 2-1/2 SLTD HEX HD SS	2
9B	001-901471	CLP HOSE HEAVY-DUTY 59-63MM <small>Recommended</small>	1
10	018-702922	PKG PLMB PUMP INLET PLT HEAT EXCH	1
11	001-700721	NUT LKG NYL 3/8 UNC PLD	8
12	001-702461	MNT VIB NEOPRENE 3/8X1 THRD 2IN DIA X 3L	4
13	001-700742	WSHR FLT 5/16 PLD	4
14A	006-900823	GSKT 2IN KMLCK CPLR SILICONE RBR	1
14B	006-702959	GSKT 2IN KMLCK CPLR STD	1
14C	006-702962	GSKT 2IN KMLCK CPLR THICK	1



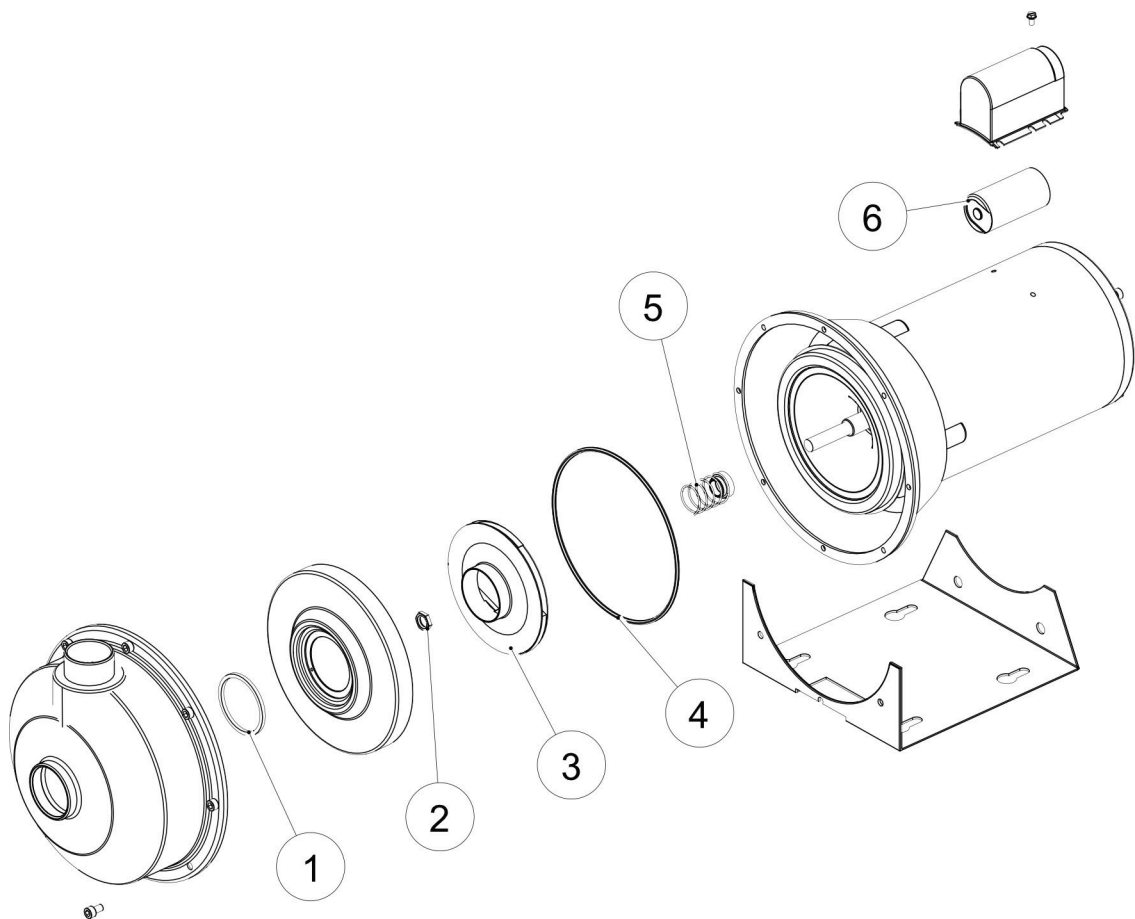




**HEFF1M  
Plate Heat Exchanger  
Pump Components**

S/N: 1830-01 -  
S/N: Current  
PAGE: 2.2.2

Item No.	Part No.	Description	Qty.
1	012-702751	PUMP see page 2.1.3	1
2	011-700390	KMLCK 2 PART DC DUST CAP AL	1
3	011-700278	KMLCK 2 PART F ADPTR AL NPTM	1
4	011-701442	VLV BALL 2 FL PT CSA/UL	1
5	018-905326	PKG PLMB EXT SPLY & RTN HEAT EXCH	1
6	018-904567	PKG PLMB PUMP OUTLET 1200 PHE	1
7	011-700641	CPRSN FTG ELB 1/4TX1/4 MPT	1
8	013-700267	HOSE 2 VERSIFLO CW WIRE HELIX	8.5IN
9A	001-700337	CLP HOSE HS32 2-1/2 SLTD HEX HD SS	2
9B	001-901471	CLP HOSE HEAVY-DUTY 59-63MM <small>Recommended</small>	1
10	018-904568	PKG PLMB PUMP INLET 1200 PHE	1
11	001-702552	CLP 2-EAR #22SS - 1/2ID HOSE	1
12	011-702565	NIPL COMB 1/2NPTX1/2HB BRS	1
13	001-700742	WSHR FLT 5/16 PLD	4
14	001-702461	MNT VIB NEOPRENE 3/8X1 THRD 2IN DIA X 3L	4
15	001-700721	NUT LKG NYL 3/8 UNC PLD	8
16A	006-900823	GSKT 2IN KMLCK CPLR SILICONE RBR	1
16B	006-702959	GSKT 2IN KMLCK CPLR STD	1
16C	006-702962	GSKT 2IN KMLCK CPLR THICK	1





# HEFF1M Plate Heat Exchanger Pump Components

S/N: 1117-01 -  
S/N: Current  
PAGE: 2.1.4

Item No.	Description	Part No.					
		012-800052 3/4 HP	012-800053 1 HP	012-905311 2 HP	012-800055 2 HP	012-702751 3 HP	
1	SEAL RING GUIDEVANE G & L PUMP	006-703027	006-703008				
2	LOCKNUT IMPELLER G & L PUMP	006-703026					
3	IMPELLER G & L PUMP	006-703028	006-703029	006-703007	006-703030	006-703031	
4	O-RING CASING G & L PUMP	006-703006					
5	SEAL MECH G & L PUMP	006-703005					
6A	CAPACITOR PUMP GOULDS	006-701171	006-702799	006-701171		006-703468	
6B	CAPACITOR RUN PUMP GOULDS CAPACITOR RATING: 60µF 370V						006-906552
6C	CAPACITOR RUN PUMP GOULDS W/ NIDEC MOTOR CAPACITOR RATING: 40µF 370V						006-906922
6D	CAPACITOR START PUMP GOULDS W/ NIDEC MOTOR CAPACITOR RATING: 233-280µF 165V						006-906923
6E	CAPACITOR PUMP GOULDS W/ NIDEC MOTOR CAPACITOR RATING: 189-227µF 110V	006-906943					

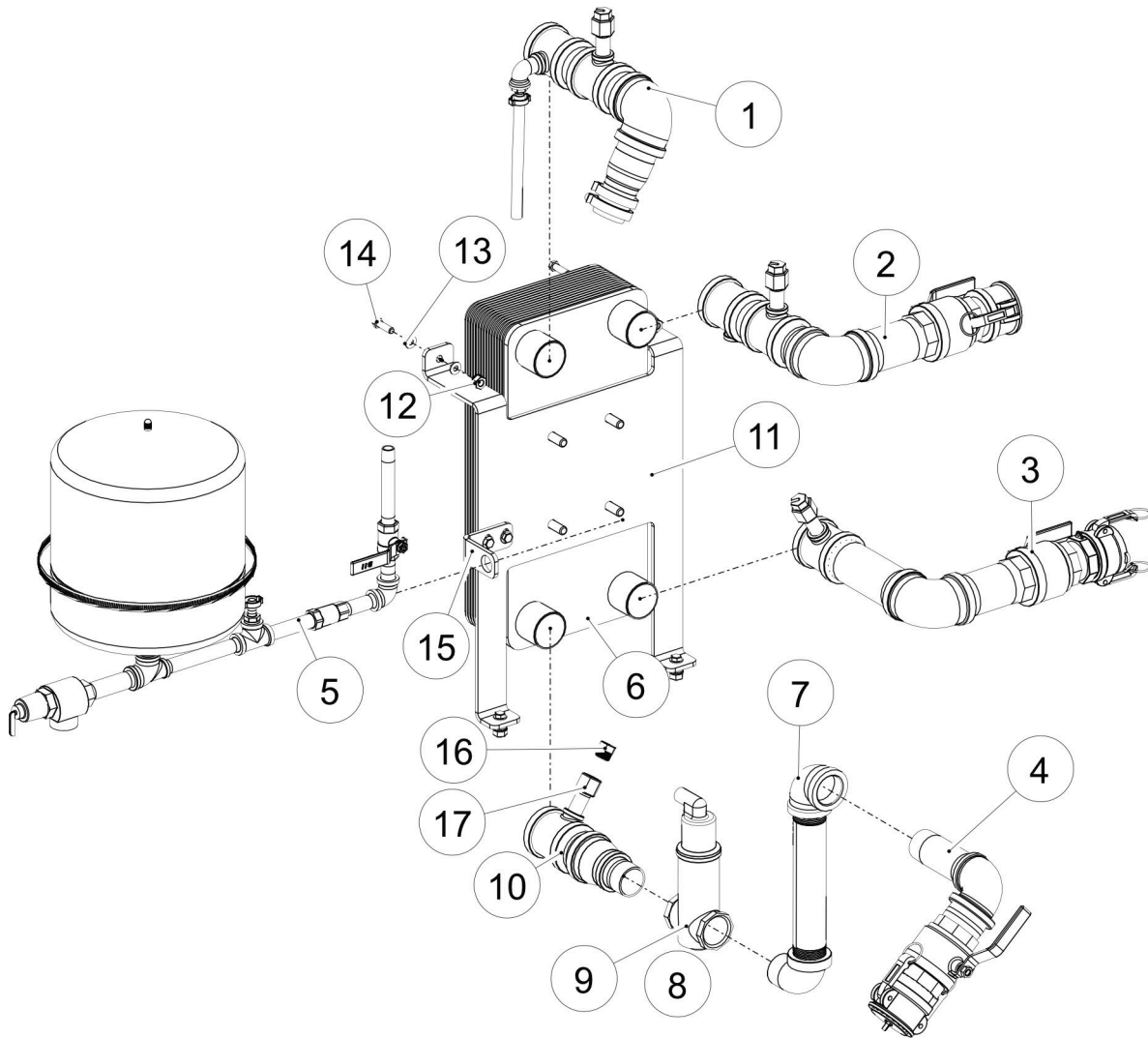
**REFER TO PUMP MOTOR NAME PLATE EXAMPLES PRIOR TO ORDERING CAPACITORS**

### NIDEC MOTOR NAME PLATE EXAMPLE

		CUST. NO. E09954BBS															
CAT. NO.	MODEL	INS F	AMB 40 °C PH 1 CODE E														
TC63SWCWB-1534																	
OTHER PROTECTED	AUTO	ENC	ODP														
	FRAME	56J	DUTY														
			CONT														
			DATE CODE														
			PROT. CODE														
			00240														
<table border="1" style="width: 100%; border-collapse: collapse;"> <tr> <th style="width: 50%;">60 HZ DATA</th> <th style="width: 50%;">50 HZ DATA</th> </tr> <tr> <td style="text-align: center;">3</td> <td style="text-align: center;">3</td> </tr> <tr> <td style="text-align: center;">3450</td> <td style="text-align: center;">2850</td> </tr> <tr> <td style="text-align: center;">208-230</td> <td style="text-align: center;">220-230</td> </tr> <tr> <td style="text-align: center;">14.0-13.0</td> <td style="text-align: center;">14.0-15.0</td> </tr> <tr> <td style="text-align: center;">1.15</td> <td style="text-align: center;">1.0</td> </tr> <tr> <td style="text-align: center;">16.0-14.0</td> <td style="text-align: center;">N/A</td> </tr> </table>		60 HZ DATA	50 HZ DATA	3	3	3450	2850	208-230	220-230	14.0-13.0	14.0-15.0	1.15	1.0	16.0-14.0	N/A	<p style="font-size: small; text-align: center;">MOTOR IS NON-REVERSIBLE COW ROTATOR (SHAFT END)</p> <p style="font-size: x-small; text-align: center;">SUPPLY CONNECTIONS USE WIRES SIZED ON THE BASIS OF EFFICIENCY AND RATED MINIMUM 90°C</p>	
60 HZ DATA	50 HZ DATA																
3	3																
3450	2850																
208-230	220-230																
14.0-13.0	14.0-15.0																
1.15	1.0																
16.0-14.0	N/A																
<p style="font-size: x-small;">CE IP22</p> <p style="font-size: x-small;">SUITABLE FOR FIELD WIRING. USE COPPER CONDUCTORS ONLY</p> <p style="font-size: x-small;"><b>WARNING:</b> MOTOR MUST BE GROUNDED IN ACCORDANCE WITH LOCAL AND NATIONAL ELECTRIC CODES. COMPONENT COVER MUST BE IN PLACE BEFORE OPERATING TO PREVENT ELECTRICAL SHOCK OR INJURY</p>																	

### WEG, BLUFFTON MOTOR NAME PLATE EXAMPLE

		MAT 15350627 SERIAL 107319461	
HZ	60	HZ	50
V	115/208-230 V	V	115/230 V
HP	0.75	HP	0.75
RPM	3450	RPM	2875
FLA	9.2/4.6-4.6	FLA	12.2/6.1
SF	1.5	SF	1.00
SFA	12.0/6.5-6.0	SFA	
FR	56J	PH	1
INS	B	TYPE	U
ENC	DP	SIZE	J
INS	B	AMB	40°C
CONT	CONT (S1)	REF	E05C12A1EB6G
INS	B	CAT	
ENC	DP		
CERTID	4103007456		
DSN	22H0111 8		
<p>WARNING: Always disconnect motor from power supply before servicing. Fatal shock may result if motor frame and adjacent metal are not grounded in compliance with electrical code.</p> <p>THERMALLY PROTECTED AUTOMATIC RESET: Motor will restart without warning after protector trips. Do not install this motor on equipment where automatic startup could result in injury.</p>			

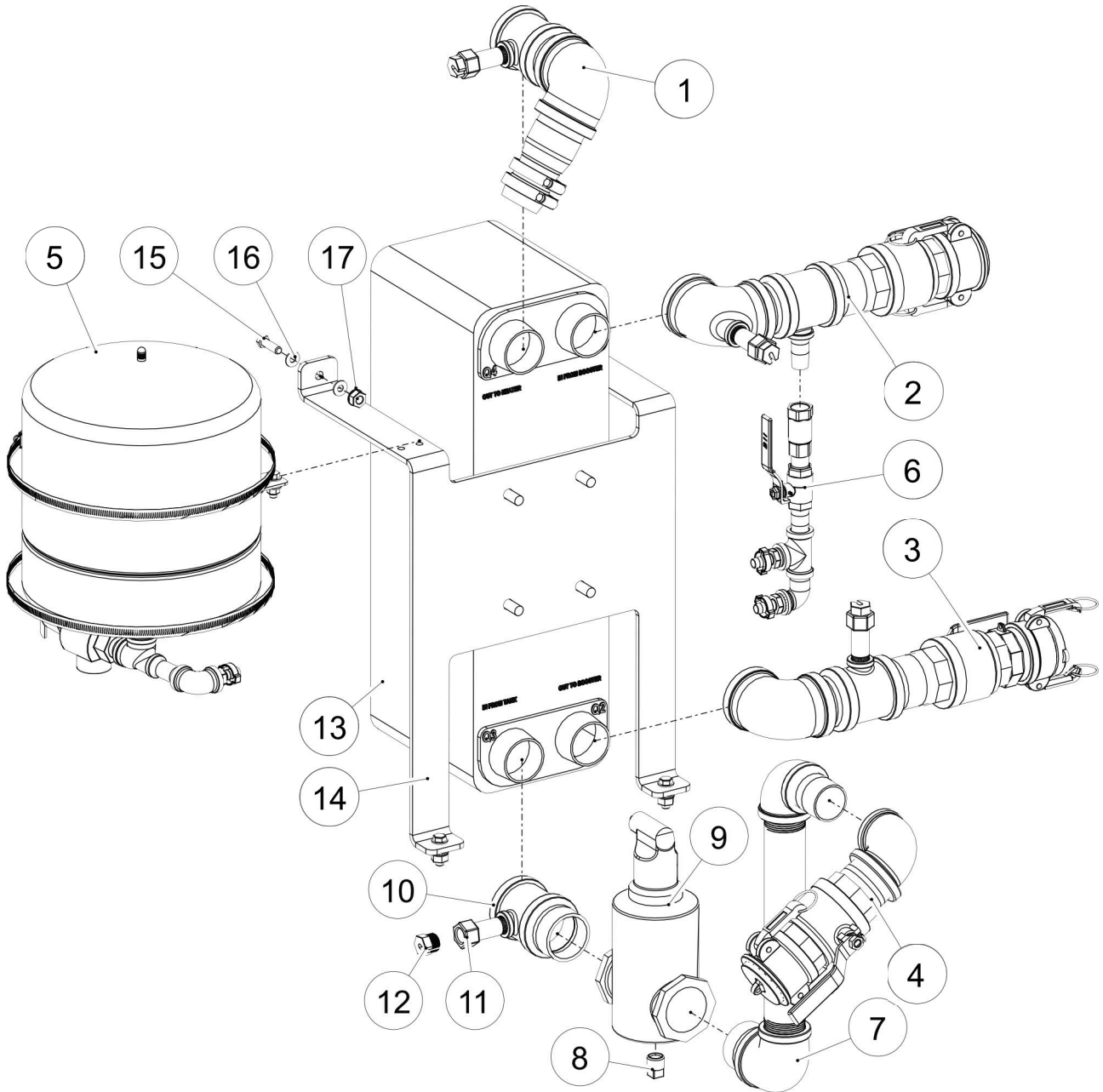




**HEFF1M  
Plate Heat Exchanger  
Plate Plumbing**

S/N: 1117-01 -  
S/N: 1779-06  
PAGE: 3.1.2

Item No.	Part No.	Description	Qty.
1		PUMP SPLY PLUMBING see page 3.1.3	
2		BOILER SPLY PLUMBING see page 3.1.5	
3		BOILER RTN PLUMBING see page 3.1.7	
4		EXTERNAL RTN PLUMBING see page 3.1.9	
5		EXP TANK PLUMBING see page 3.1.11	
6	012-702750	PLT HEAT EXCH 1200MBTU 2NPT	1
7	018-702920	PKG PLMB PLT RTN 1 PLT HEAT EXCH	1
8	011-702702	PLUG BRS 1/2 NPT SQ HD	1
9	012-702755	AIR ELIM BRS 1-1/2FPT	1
10	018-702921	PKG PLMB PLT RTN 2 PLT HEAT EXCH	1
11	004-702814	BRKT HE MNT HEAT EXCH	1
12	001-700721	NUT LKG NYL 3/8 UNC PLD	6
13	001-700742	WSHR FLT 5/16 PLD	12
14	001-700960	BOLT 3/8X1-1/4 PLD GR5	6
15	004-702815	BRKT PLMB MNT HEAT EXCH	1
16	005-702757	NUT SPLIT WELLCAP 3/4FINE THREAD	1
17	005-702592	WELL THERM BRS 4-3/8IN .385 BORE 1/2IN NPT	1

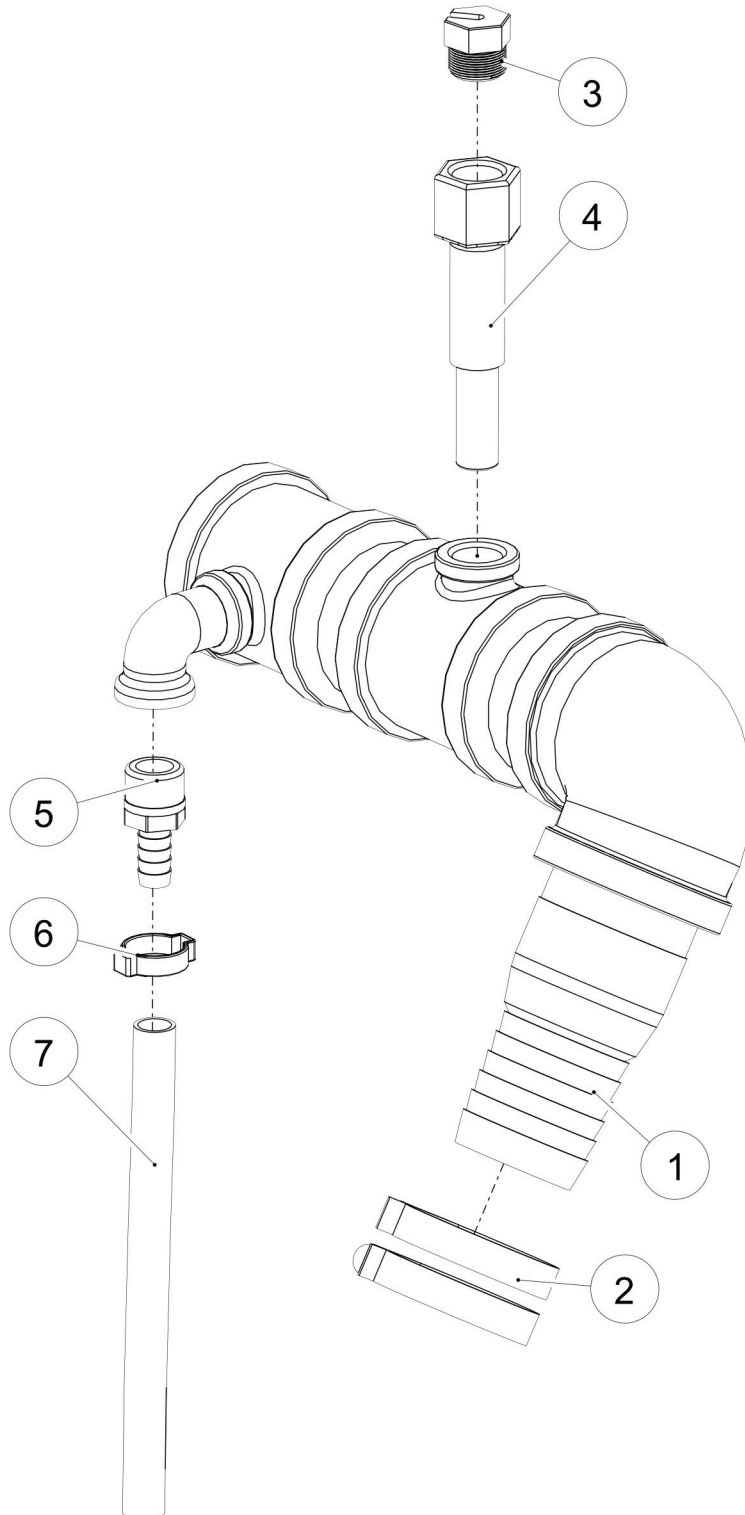




**HEFF1M  
Plate Heat Exchanger  
Plate Plumbing**

S/N: 1830-01 -  
S/N: Current  
PAGE: 3.2.2

Item No.	Part No.	Description	Qty.
1		PUMP SPLY PLUMBING see page 3.2.3	
2		BOILER SPLY PLUMBING see page 3.2.5	
3		BOILER RTN PLUMBING see page 3.2.7	
4		EXTERNAL RTN PLUMBING see page 3.2.9	
5		EXP TANK PLUMBING see page 3.2.11	
6		CHECK VALVE PLUMBING see page 3.1.13	
7	018-904563	PKG PLMB PLT RTN 1 1200 PHE	1
8	011-702702	PLUG BRS 1/2 NPT SQ HD	1
9	012-904550	AIR ELM SPIROVENT 2 FPT	1
10	018-904562	PKG PLMB PLT RTN 2 1200 PHE	1
11	005-900590	WELL THERM BRS 4 IN .385BORE 1/2MPT 1-5/8INSER	1
12	005-702757	NUT SPLIT WELLCAP 3/4FINE THREAD	1
13	012-901562	PLT HEAT EXCH B3-095-90L	1
14	004-904544	BRKT MNT MOD 1200 PHE PLATE	1
	004-906898	BRKT MNT 1200 PHE BLUE	1
15	001-700960	BOLT 3/8X1-1/4 PLD GR5	1
16	001-700742	WSHR FLT 5/16 PLD	8
17	001-700721	NUT LKG NYL 3/8 UNC PLD	4
		The following components may not be shown	
	004-904541	BRKT MNT EXP TANK SPRT PHE	1
	004-906899	BRKT MNT EXP TANK PHE BLUE	1



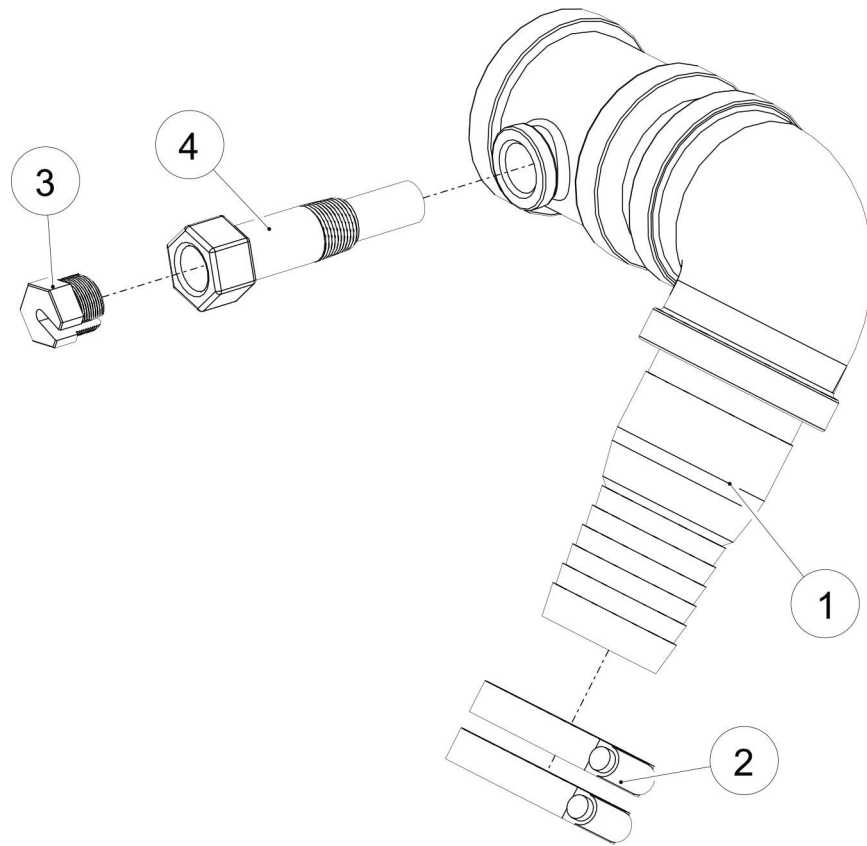




**HEFF1M**  
**Plate Heat Exchanger**  
**Pump Supply Plumbing**

S/N: 1117-01 -  
S/N: 1779-06  
PAGE: 3.1.4

Item No.	Part No.	Description	Qty.
1	018-702919	PKG PLMB PLT SPLY PLT HEAT EXCH	1
2A	001-700337	CLP HOSE HS32 2-1/2 SLTD HEX HD SS	2
2B	001-901471	CLP HOSE HEAVY-DUTY 59-63MM <small>Recommended</small>	1
3	005-702757	NUT SPLIT WELLCAP 3/4FINE THREAD	1
4	005-702592	WELL THERM BRS 4-3/8IN .385 BORE 1/2IN NPT	1
5	011-702565	NIPL COMB 1/2NPTX1/2HB BRS	1
6	001-702552	CLP 2-EAR #22SS - 1/2ID HOSE	1
7	013-702634	HOSE 1/2 RED	7 3/4IN

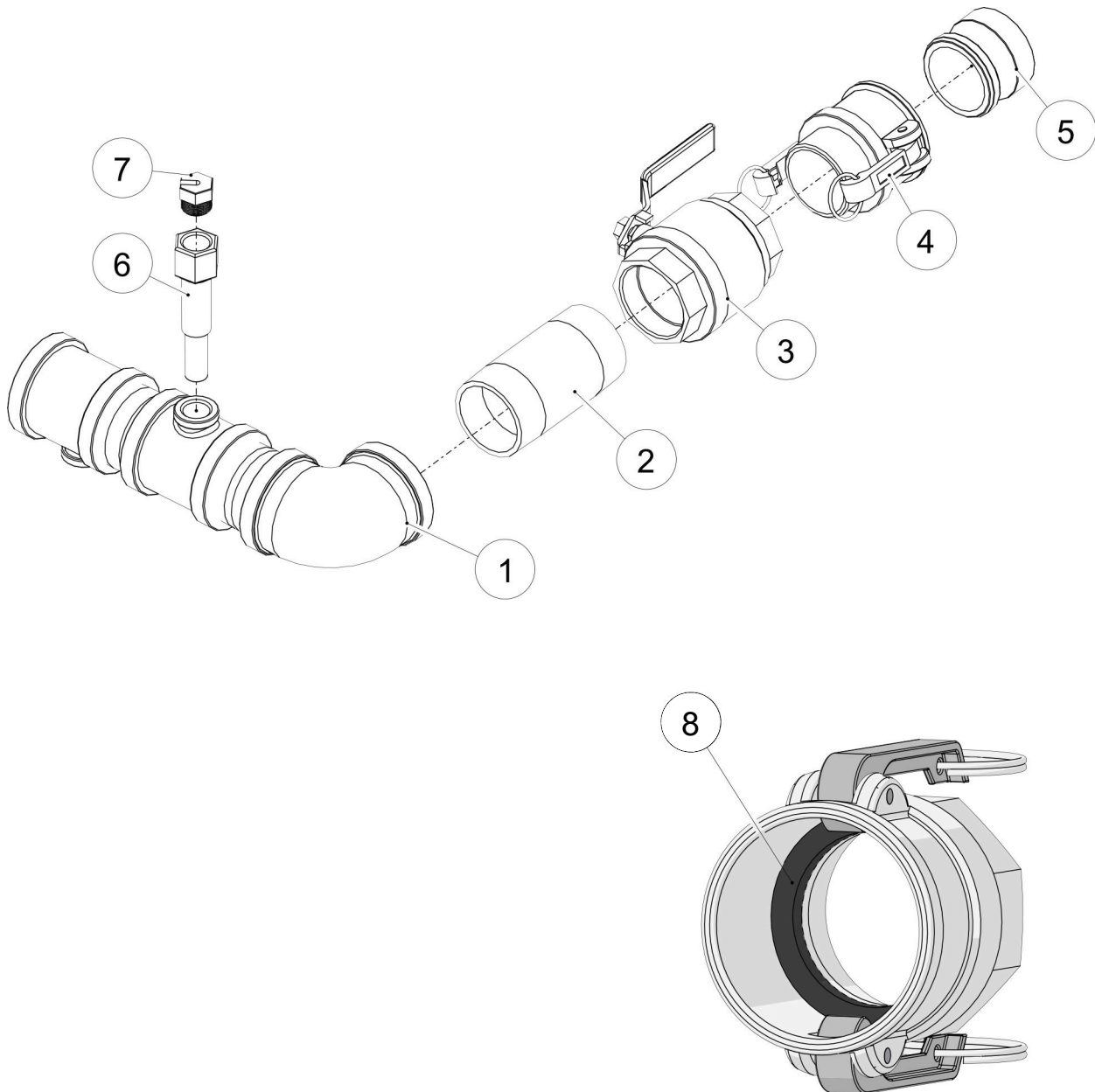




**HEFF1M**  
**Plate Heat Exchanger**  
**Pump Supply Plumbing**

S/N: 1830-01 -  
S/N: Current  
PAGE: 3.2.4

Item No.	Part No.	Description	Qty.
1	018-904561	PKG PLMB 1200 PHE	1
2A	001-700337	CLP HOSE HS32 2-1/2 SLTD HEX HD SS	2
2B	001-901471	CLP HOSE HEAVY-DUTY 59-63MM <small>Recommended</small>	2
3	005-702757	NUT SPLIT WELLCAP 3/4 FINE THREAD	1
4	005-900590	WELL THERM BRS 4 IN .385BORE 1/2MPT 1-5/8INSER	1

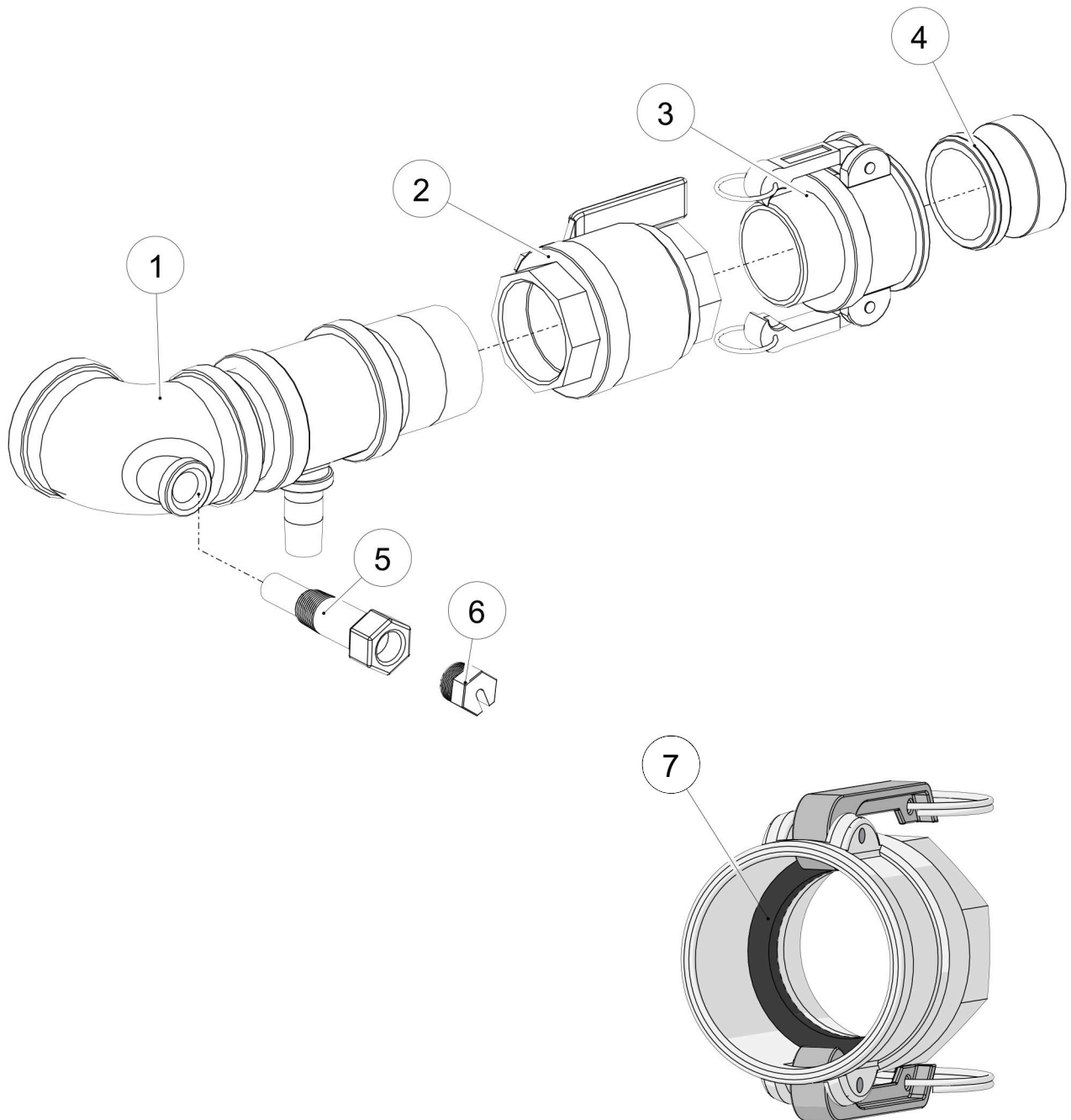




**HEFF1M**  
**Plate Heat Exchanger**  
**Boiler Supply Plumbing**

S/N: 1117-01 -  
S/N: 1779-06  
PAGE: 3.1.6

Item No.	Part No.	Description	Qty.
1	018-702917	PKG PLMB INT SPLY PLT HEAT EXCH	1
2	011-702838	NIPL 2X4-1/2 BLK PIPE PNTD BLK	1
3	011-701442	VLV BALL 2 FL PT CSA/UL	1
4	011-700279	KMLCK 2 PART B CPLR AL NPTM	1
5	011-700391	KMLCK 2 PART DP DUST PLUG AL	1
6	005-702592	WELL THERM BRS 4-3/8IN .385 BORE 1/2IN NPT	1
7	005-702757	NUT SPLIT WELLCAP 3/4FINE THREAD	1
8A	006-900823	GSKT 2IN KMLCK CPLR SILICONE RBR	1
8B	006-702959	GSKT 2IN KMLCK CPLR STD	1
8C	006-702962	GSKT 2IN KMLCK CPLR THICK	1

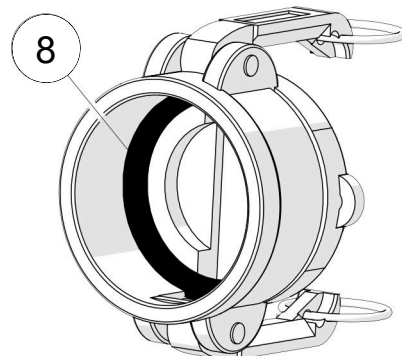
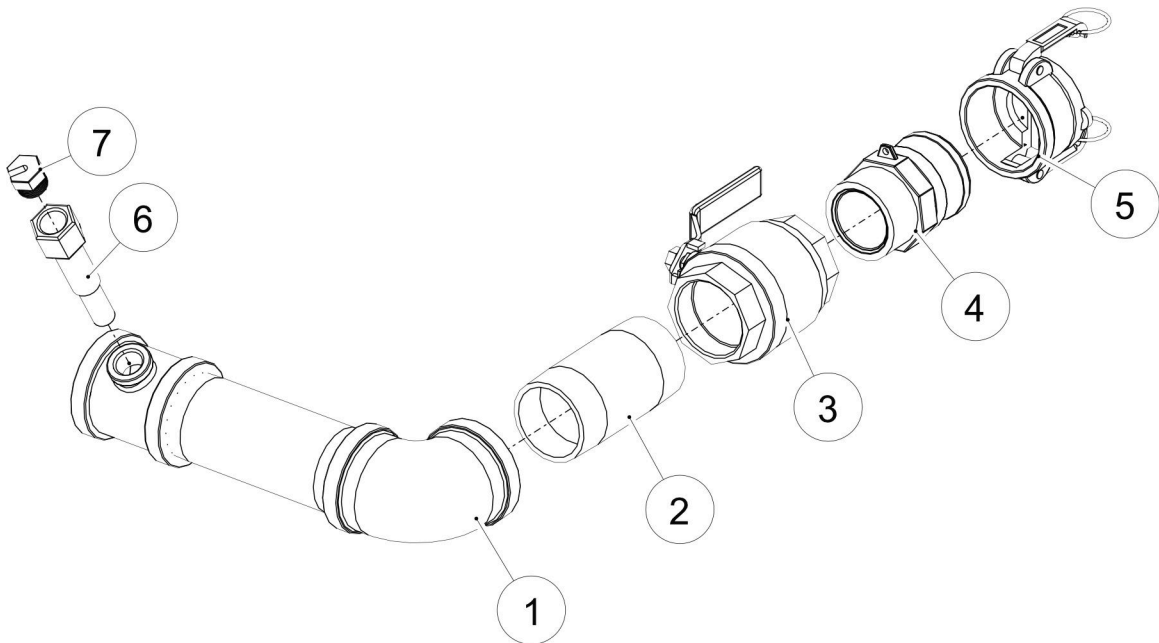




**HEFF1M**  
**Plate Heat Exchanger**  
**Boiler Supply Plumbing**

S/N: 1830-01 -  
S/N: Current  
PAGE: 3.2.6

Item No.	Part No.	Description	Qty.
1	018-904565	PKG PLMB INTAKE SPLY 1200 PHE	1
2	011-701442	VLV BALL 2 FL PT CSA/UL	1
3	011-700279	KMLCK 2 PART B CPLR AL NPTM	1
4	011-700391	KMLCK 2 PART DP DUST PLUG AL	1
5	005-900590	WELL THERM BRS 4 IN .385BORE 1/2MPT 1-5/8INSER	1
6	005-702757	NUT SPLIT WELLCAP 3/4FINE THREAD	1
7A	006-900823	GSKT 2IN KMLCK CPLR SILICONE RBR	1
7B	006-702959	GSKT 2IN KMLCK CPLR STD	1
7C	006-702962	GSKT 2IN KMLCK CPLR THICK	1



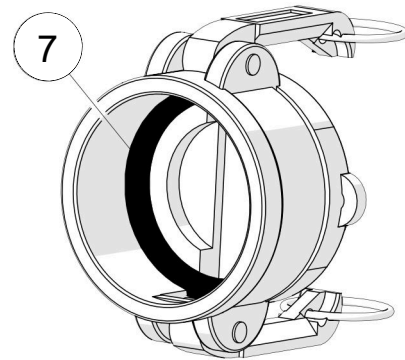
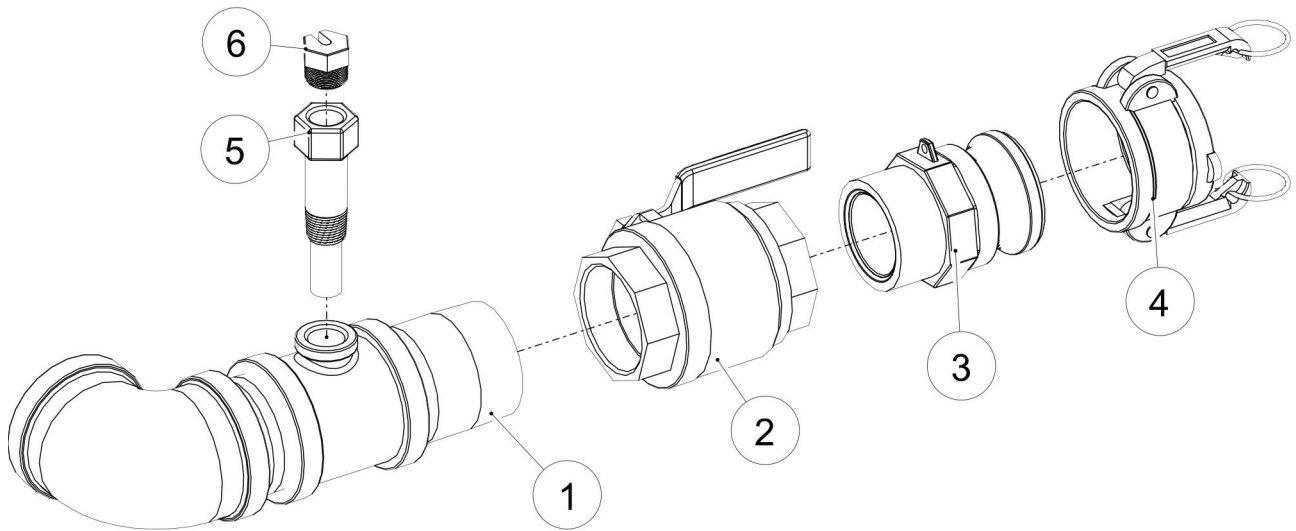




**HEFF1M**  
**Plate Heat Exchanger**  
**Boiler Return Plumbing**

S/N: 1117-01 -  
S/N: 1779-06  
PAGE: 3.1.8

Item No.	Part No.	Description	Qty.
1	018-702918	PKG PLMB INT RTN PLT HEAT EXCH	1
2	011-702838	NIPL 2X4-1/2 BLK PIPE PNTD BLK	1
3	011-701442	VLV BALL 2 FL PT CSA/UL	1
4	011-700278	KMLCK 2 PART F ADPTR AL NPTM	1
5	011-700390	KMLCK 2 PART DC DUST CAP AL	1
6	005-702592	WELL THERM BRS 4-3/8IN .385 BORE 1/2IN NPT	1
7	005-702757	NUT SPLIT WELLCAP 3/4FINE THREAD	1
8A	006-900823	GSKT 2IN KMLCK CPLR SILICONE RBR	1
8B	006-702959	GSKT 2IN KMLCK CPLR STD	1
8C	006-702962	GSKT 2IN KMLCK CPLR THICK	1

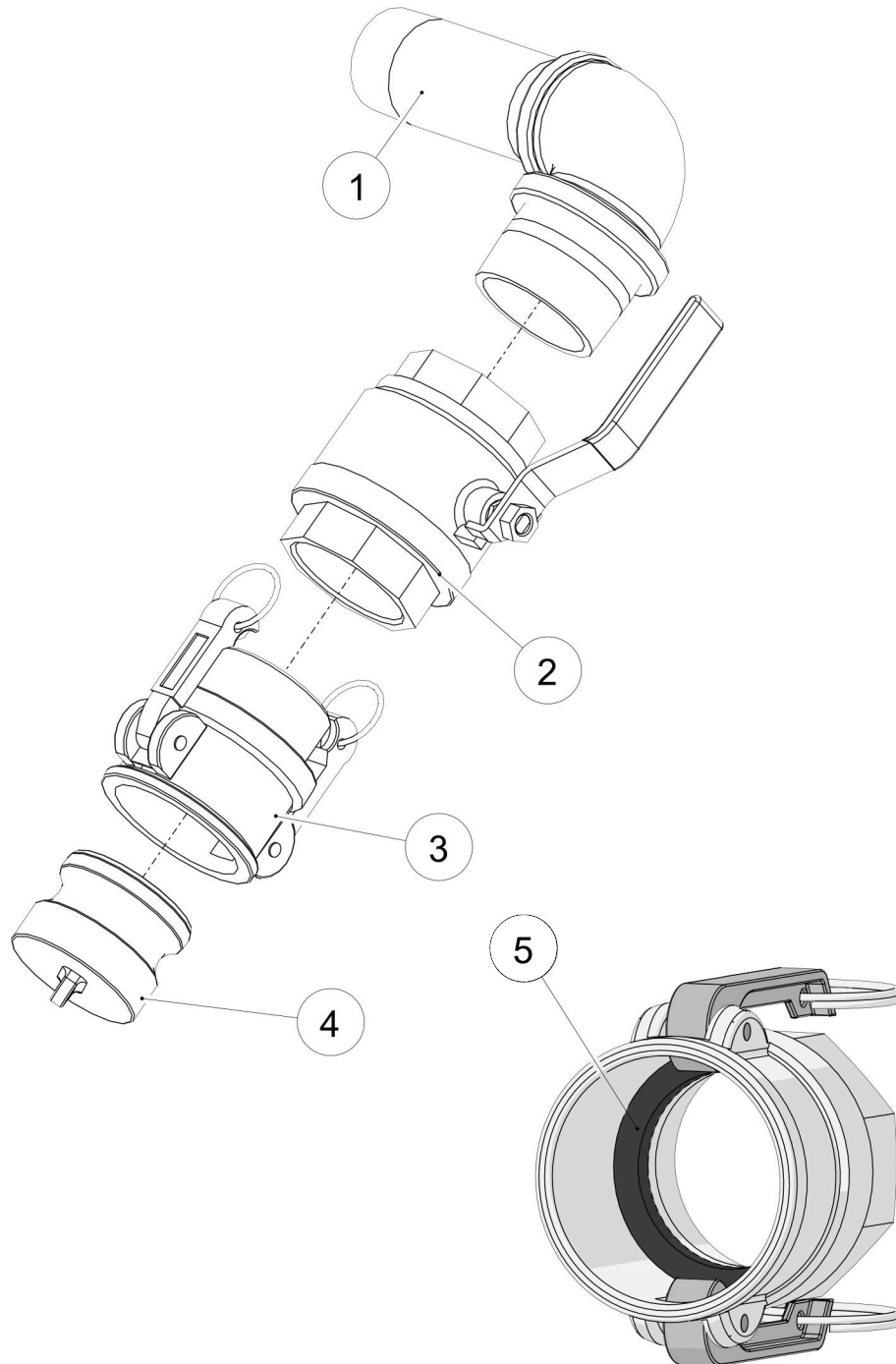




**HEFF1M**  
**Plate Heat Exchanger**  
**Boiler Return Plumbing**

S/N: 1830-01 -  
S/N: Current  
PAGE: 3.2.8

Item No.	Part No.	Description	Qty.
1	018-904560	PKG PLMB INT RTN 1200 PHE	1
2	011-701442	VLV BALL 2 FL PT CSA/UL	1
3	011-700278	KMLCK 2 PART F ADPTR AL NPTM	1
4	011-700390	KMLCK 2 PART DC DUST CAP AL	1
5	005-900590	WELL THERM BRS 4 IN .385BORE 1/2MPT 1-5/8INSER	1
6	005-702757	NUT SPLIT WELLCAP 3/4FINE THREAD	1
7A	006-900823	GSKT 2IN KMLCK CPLR SILICONE RBR	1
7B	006-702959	GSKT 2IN KMLCK CPLR STD	1
7C	006-702962	GSKT 2IN KMLCK CPLR THICK	1

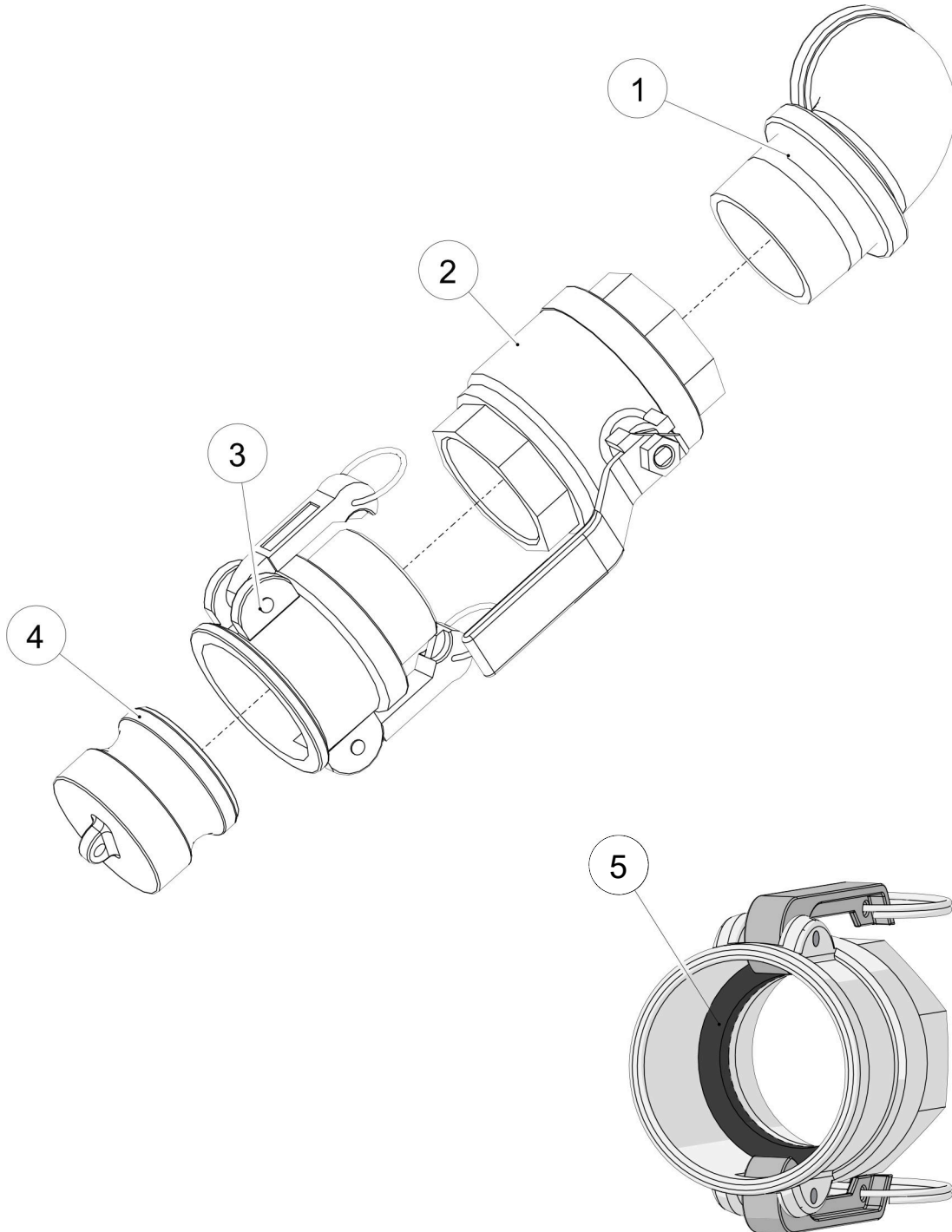




**HEFF1M**  
**Plate Heat Exchanger**  
**External Return Plumbing**

S/N: 1117-01 -  
S/N: 1779-06  
PAGE: 3.1.10

Item No.	Part No.	Description	Qty.
1	018-702925	PKG PLMB EXT RTN PLT HEAT EXCH	1
2	011-701442	VLV BALL 2 FL PT CSA/UL	1
3	011-700279	KMLCK 2 PART B CPLR AL NPTM	1
4	011-700391	KMLCK 2 PART DP DUST PLUG AL	1
5A	006-900823	GSKT 2IN KMLCK CPLR SILICONE RBR	1
5B	006-702959	GSKT 2IN KMLCK CPLR STD	1
5C	006-702962	GSKT 2IN KMLCK CPLR THICK	1

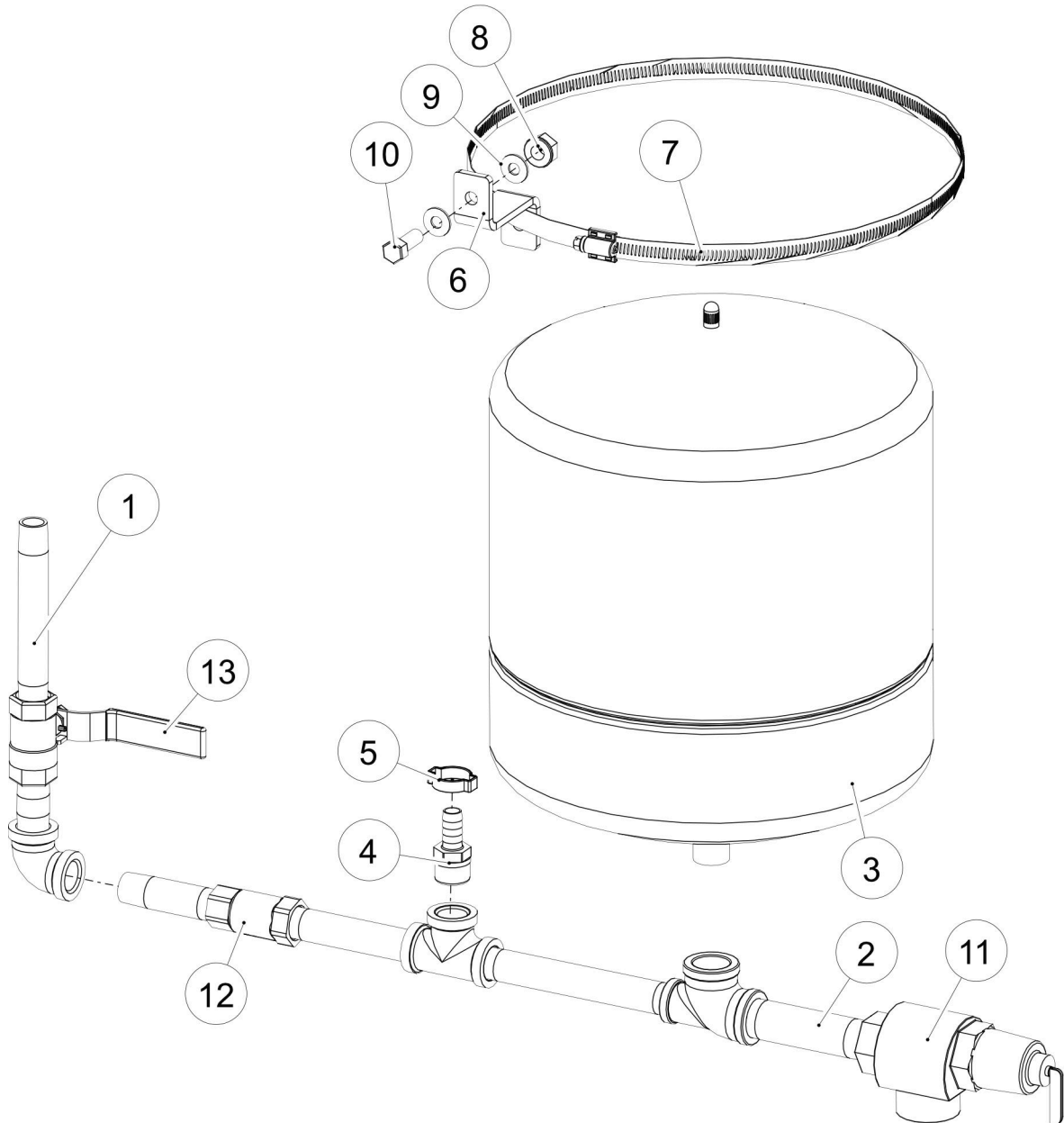




**HEFF1M**  
**Plate Heat Exchanger**  
**External Return Plumbing**

S/N: 1830-01 -  
S/N: Current  
PAGE: 3.2.10

Item No.	Part No.	Description	Qty.
1	018-905326	PKG PLMB EXT SPLY & RTN HEAT EXCH	1
2	011-701442	VLV BALL 2 FL PT CSA/UL	1
3	011-700279	KMLCK 2 PART B CPLR AL NPTM	1
4	011-700391	KMLCK 2 PART DP DUST PLUG AL	1
5A	006-900823	GSKT 2IN KMLCK CPLR SILICONE RBR	1
5B	006-702959	GSKT 2IN KMLCK CPLR STD	1
5C	006-702962	GSKT 2IN KMLCK CPLR THICK	1



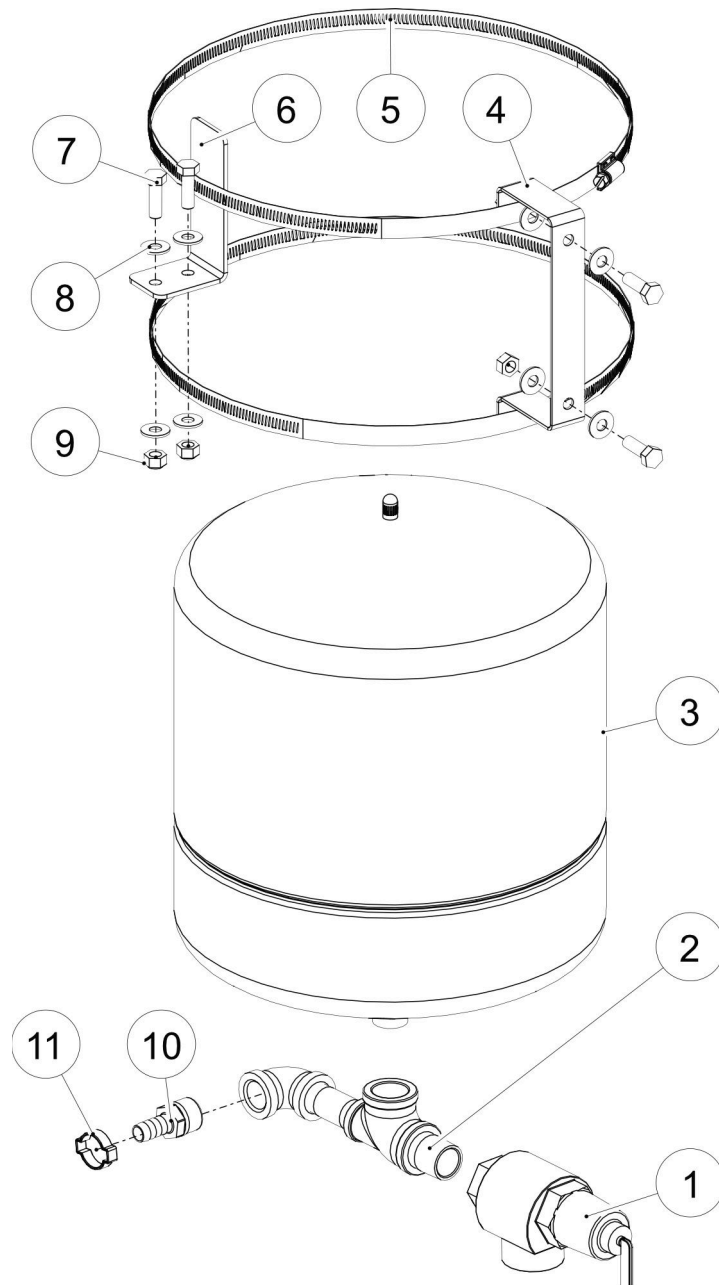




**HEFF1M**  
**Plate Heat Exchanger**  
**Expansion Tank Plumbing**

S/N: 1117-01 -  
S/N: 1779.06  
PAGE: 3.1.12

Item No.	Part No.	Description	Qty.
1	018-702926	PKG PLMB XFILL VERT PLT HEAT EXCH	1
2	018-702927	PKG PLMB XFILL HORIZ PLT HEAT EXCH	1
3	012-702868	TANK EXP 150PSI 4.7 US GAL	1
4	011-702565	NIPL COMB 1/2NPTX1/2HB BRS	1
5	001-702552	CLP 2-EAR #22SS - 1/2ID HOSE	1
6	004-703258	BRKT EXP TANK MNT PHE	1
7	001-902529	CLP HOSE HAS188 SLTD HEX HD	1
8	001-700721	NUT LKG NYL 3/8 UNC PLD	1
9	001-700742	WSHR FLT 5/16 PLD	2
10	001-700804	BOLT 3/8X1 PLD GR5	1
11	005-702869	VLV SAFETY PRESS RLF 150PSI 3/4NPT BRS	1
12	012-702754	VLV CHECK BRS 1/2FPT	1
13	011-700115	VLV BALL 1/2 400WOG STD BRS CGA NPTF	1

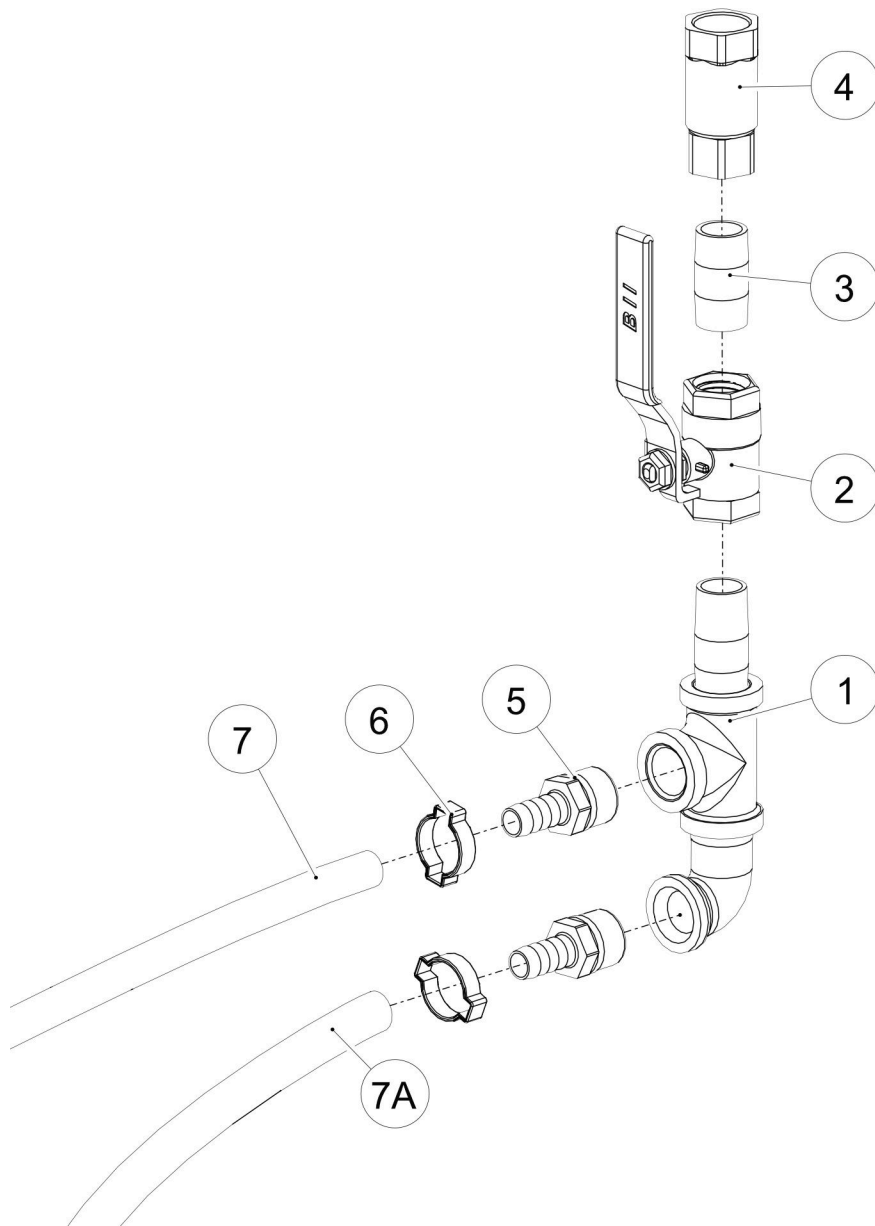




**HEFF1M  
Plate Heat Exchanger  
Expansion Tank Plumbing**

S/N: 1830-01 -  
S/N: Current  
PAGE: 3.2.12

Item No.	Part No.	Description	Qty.
1	005-702869	VLV SAFETY PRESS RLF 150PSI 3/4NPT BRS	1
2	018-904559	PKG PLMB EXPANSION TANK 1200 PHE	1
3	012-702868	TANK EXP 150PSI 4.7 US GAL	1
4	004-904493	BRKT MNT EXP TANK PHE	1
5	001-902529	CLP HOSE HAS188 SLTD HEX HD	2
6	004-904541	BRKT MNT EXP TANK SPRT PHE	1
7	001-700743	BOLT 5/16X1 PLD GR5	4
8	001-700742	WSHR FLT 5/16 PLD	8
9	001-700741	NUT LKG NYL 5/16 UNC PLD	4
10	011-702565	NIPL COMB 1/2NPTX1/2HB BRS	1
11	001-702552	CLP 2-EAR #22SS - 1/2ID HOSE	1

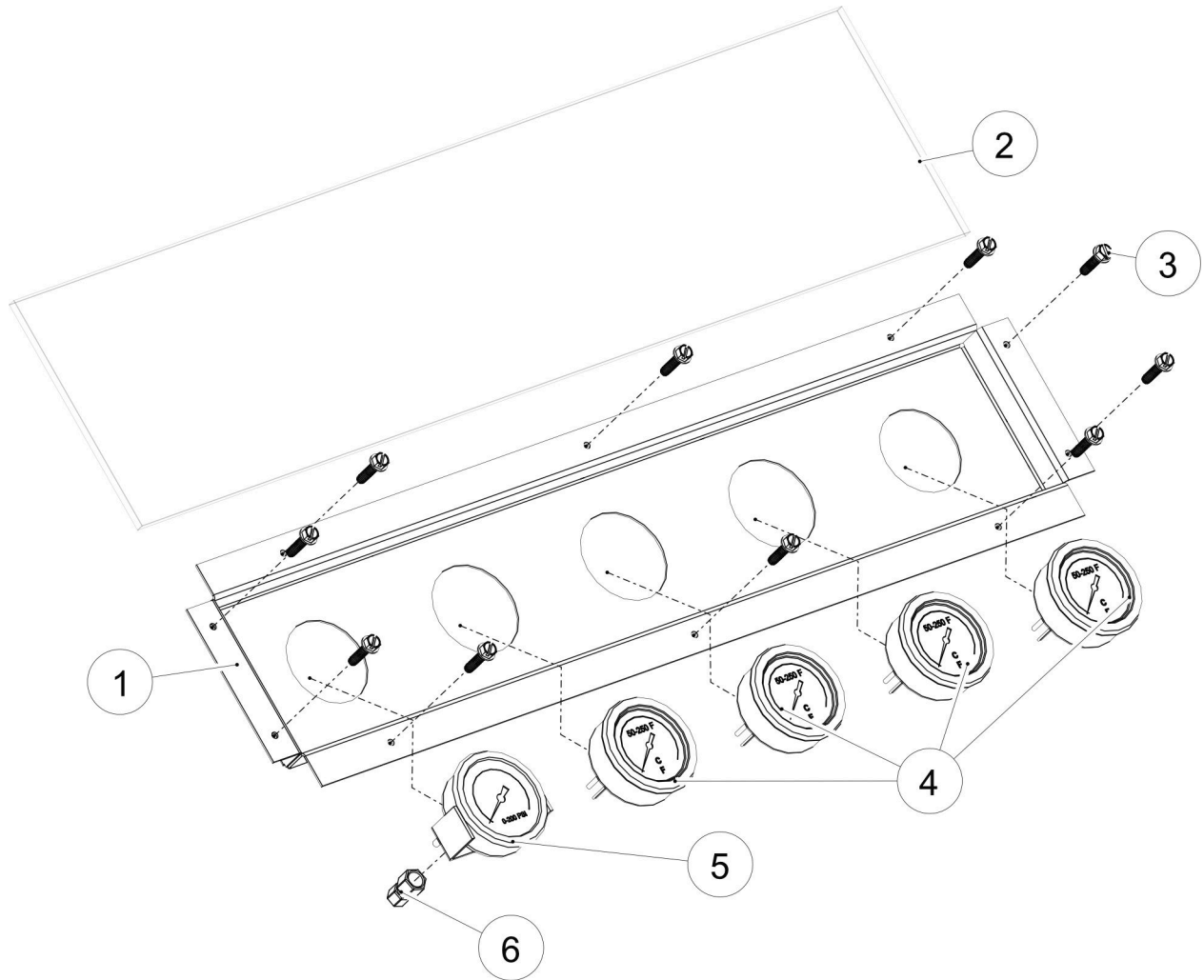




**HEFF1M**  
**Plate Heat Exchanger**  
**Check Valve Plumbing**

S/N: 1830-01 -  
S/N: Current  
PAGE: 3.1.14

Item No.	Part No.	Description	Qty.
1	018-904566	PKG PLMB BLK CHECK VLV 1200 PHE	1
2	011-700115	VLV BALL 1/2 400WOG STD BRS CGA NPTF	1
3	011-703574	NIPL 1/2X1-1/2 BRS NPT	1
4	012-702754	VLV CHECK BRS 1/2FPT	1
5	011-702565	NIPL COMB 1/2NPTX1/2HB BRS	2
6	001-702552	CLP 2-EAR #22SS - 1/2ID HOSE	2
7	013-702634	HOSE 1/2 RED	16IN
7A	013-702634	HOSE 1/2 RED	20IN

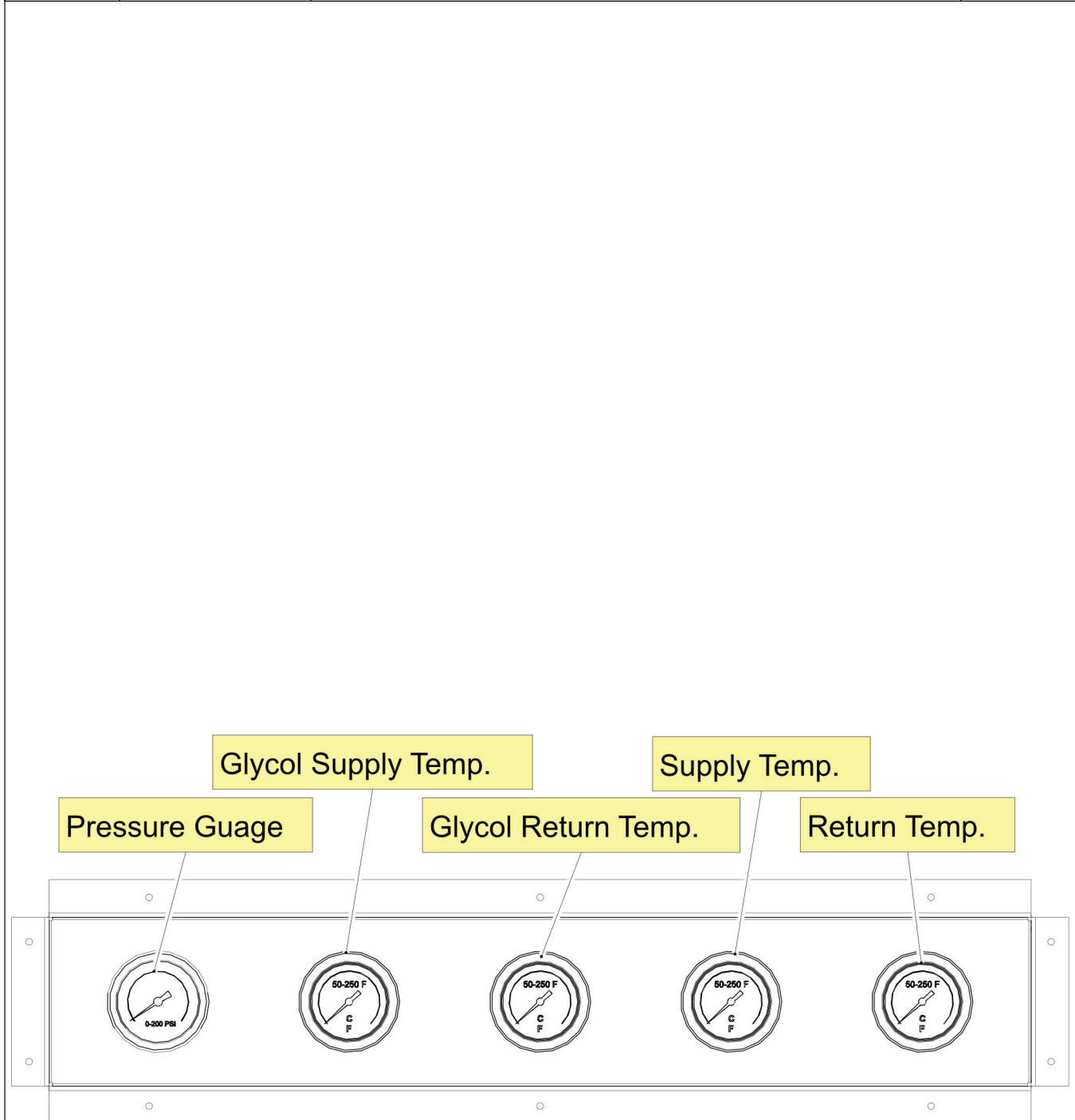




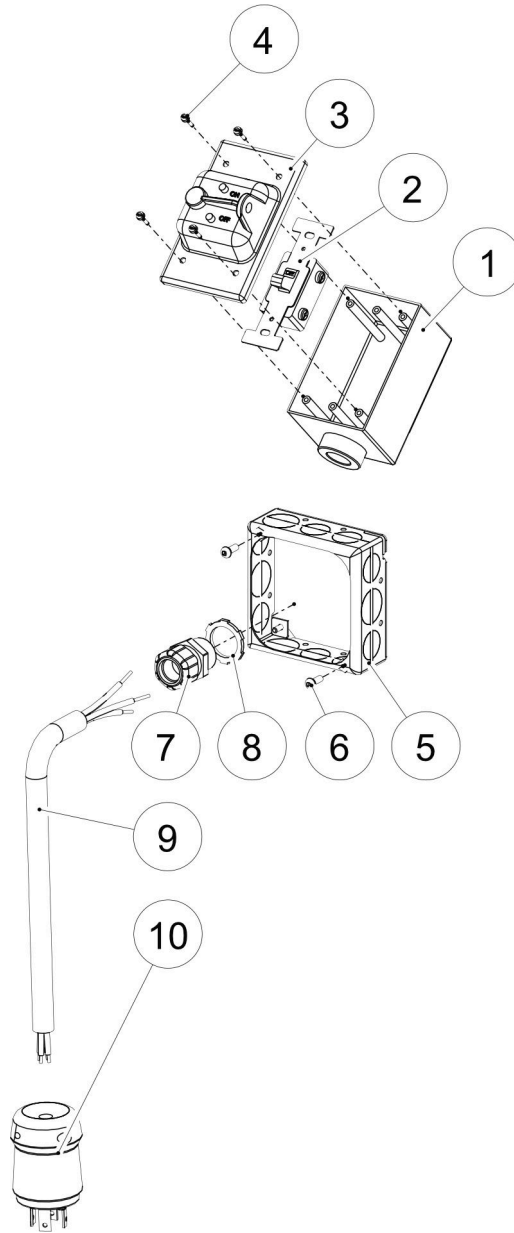
**HEFF1M  
Plate Heat Exchanger  
Instrument Panel**

S/N: 1117-01 -  
S/N: Current  
PAGE: 4.1.2

Item No.	Part No.	Description	Qty.
1	004-702820	PNL GAUGE HEAT EXCH UNIT	1
	004-906907	PNL GAUGE 1200 PHE BLUE	2
2	004-702853	WINDOW GAUGE PNL 30L X 7W PLT HEAT EXCH	1
3	001-700435	SCRW D/T 1/4-14X1 3/8HEX HD PLD	10
4	005-701073	GAUGE TEMP 60IN CPLRY 40-240DEG F WIKA	4
5	005-702752	GAUGE PRESS 0-200PSI 1/4NPT 2-1/2FACE PNL MNT	1
	004-703661	RING GAUGE ADPTR SS 2-7/8 OD X2.475ID	1
6	011-701175	CPRSN FTG CON 1/4TX1/4 FPT	1



**Instrument Panel**







**HEFF1M  
Plate Heat Exchanger  
Electrical Components**

S/N: 1117-01 -  
S/N: Current  
PAGE: 5.1.2

Item No.	Part No.	Description	Qty.
1	002-703255	BOX ELEC 2IN WTHPRF DIE CAST AL 1/2IN HUB	1
2	002-800033	SWITCH 20A 120/277V DP	1
3	002-702854	CVR W/P TGL SW	1
4	001-701609	SCRW MACH 6-32X1/2 RND HEAD	4
5	002-702864	RING ELEC EXT 1-1/2 DEEP	1
6	001-700806	SCRW MACH 10-24X1/2	2
7	002-700046	CONNECTOR STRN/RLF 3/4 .625-.750 CABLE RNG	1
8	002-701133	LOCKNUT 3/4 STL CONDUIT	1
9	002-700418	CABLE SOW10/4	1
10	002-701266	PLUG 1P4W 30A 125/250V M END TWLCK	1
		The following component is not shown	
	002-702865	CVR ELEC 4IN SQ BOX	1



# HEFF1M Plate Heat Exchanger Decals

S/N: 1771-01 -  
S/N: Current  
PAGE: 6.1.1

1

2

3

4

5

6

7

8

9

10

11

12

13

Item No.	Part No.	Description	Qty.
1	003-701195	DECAL DRYAIR 12X2 05 BLUE VINYL R1	1
2	003-701455	DECAL ELEC 4WIRE HOOKUP	1
3	003-702884	DECAL WTR HTR HTF SPLY/RTN	1
4	003-702882	DECAL GAUGE PNL FLUID-FLUID PLT HEAT EXCH	1
5	003-702885	DECAL HEAT EXCH HTF SPLY/RTN	1
6	003-905310	DECAL SEE OPERATOR MANUAL 6X4	1
7	003-904412	DECAL NOT FOR POTABLE WATER	1
8	003-903845	DECAL WARNING RISK OF SHOCK	1
9	003-903355	DECAL WARNING EXT CORD SHOCK	1
10	003-903397	DECAL EXT CORD USE	1
11	003-702887	DECAL ELEC SCHEM PLT HEAT EXCH	1
12	003-904413	DECAL VLV POSITION PHE	1
13	003-906751	DECAL QR OP MAN HEFF 1M	1





---

**HEFF1M Plate Heat Exchanger**  
S/N: 1770-01 - Current

**Part No. 023-905830**  
**Rev. 02 05-10-2023**