



Heat

Dry

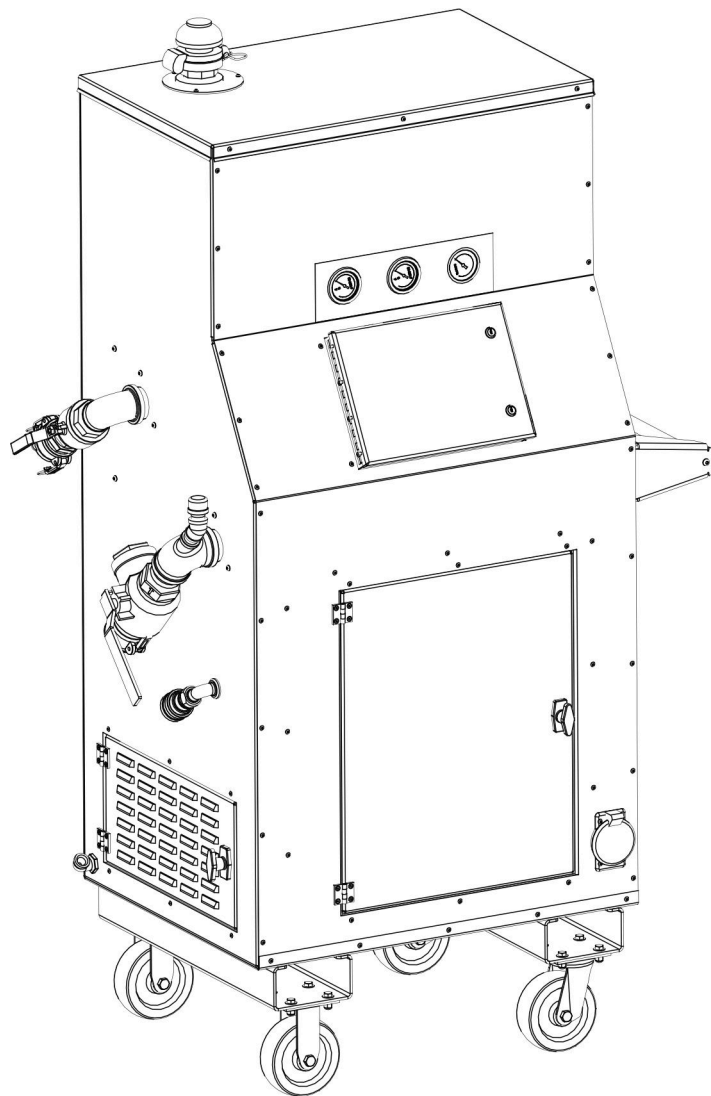
Thaw

Cure

PARTS CATALOGUE

HESF1000

Steam Plate Heat Exchanger



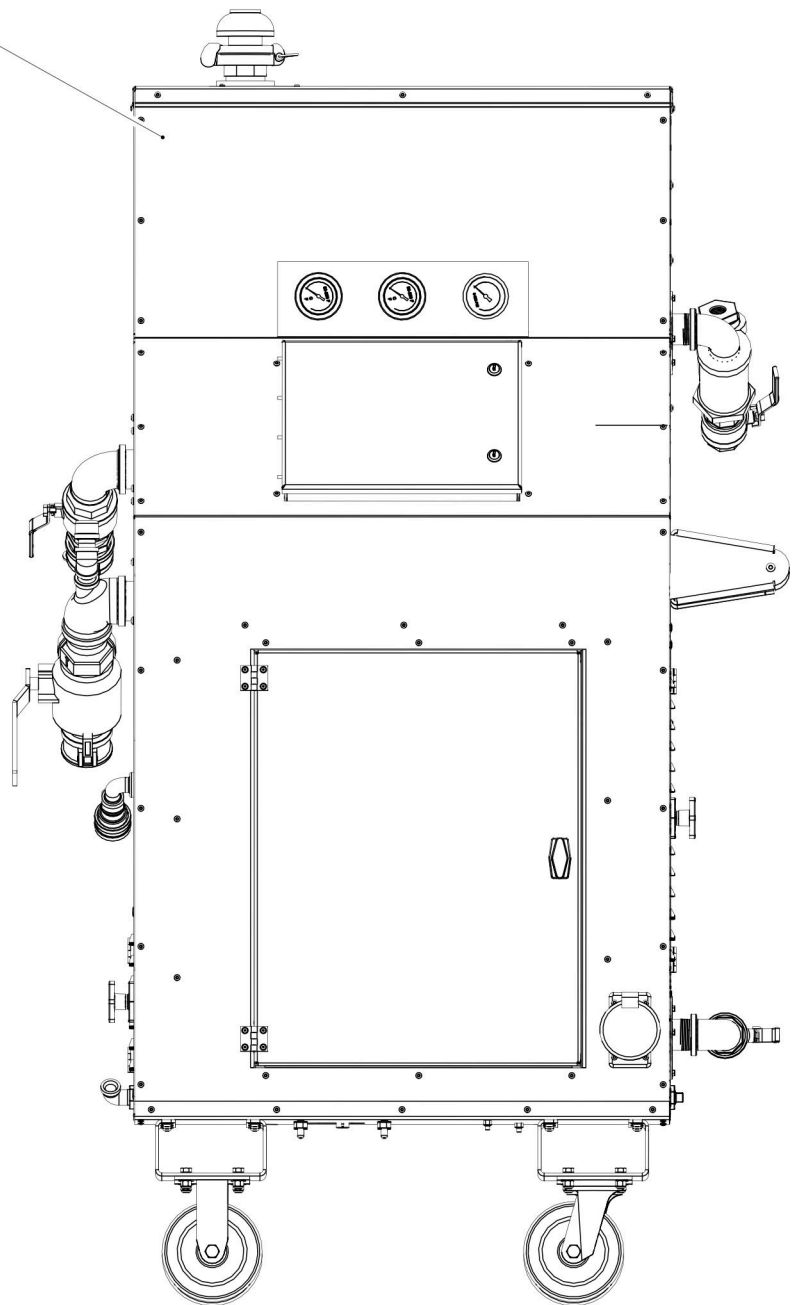
DRYAIR MANUFACTURING CORP.
PO BOX 126, 400 SERVICE ROAD
ST. BRIEUX, SK S0K 3V0
CANADA
www.dryair.ca

Tel: 1 (306) 275-4848
Toll-Free: 1 (888) 750-1700
Fax: 1 (306) 275-4664
Email: parts@dryair.ca



HESF1000 Steam Plate Heat Exchanger Table of Contents

P.O. Box 126 400 Service Road St. Brieux, Sk. Canada	
Model / Module:	HESF 1000
Production Schedule / Calendrier de Production:	
Reference / Référence:	
Motor Data / Données Moteur	
HP	2
Volts	240
Hz	60
Max. Ampacity / Max. Ampacité:	30A
Unit Data / Données de l'Unité	
Max. Steam Pressure / Pression Vapeur Max.:	15 PSI
Certified for Indoor and Outdoor Use / Certifié pour l'utilisation à l'intérieur et à l'extérieur	
	Max. Inlet Water Temperature / Température Maximale de l'Eau d'Entrée: 85°C
003-903561 R01	

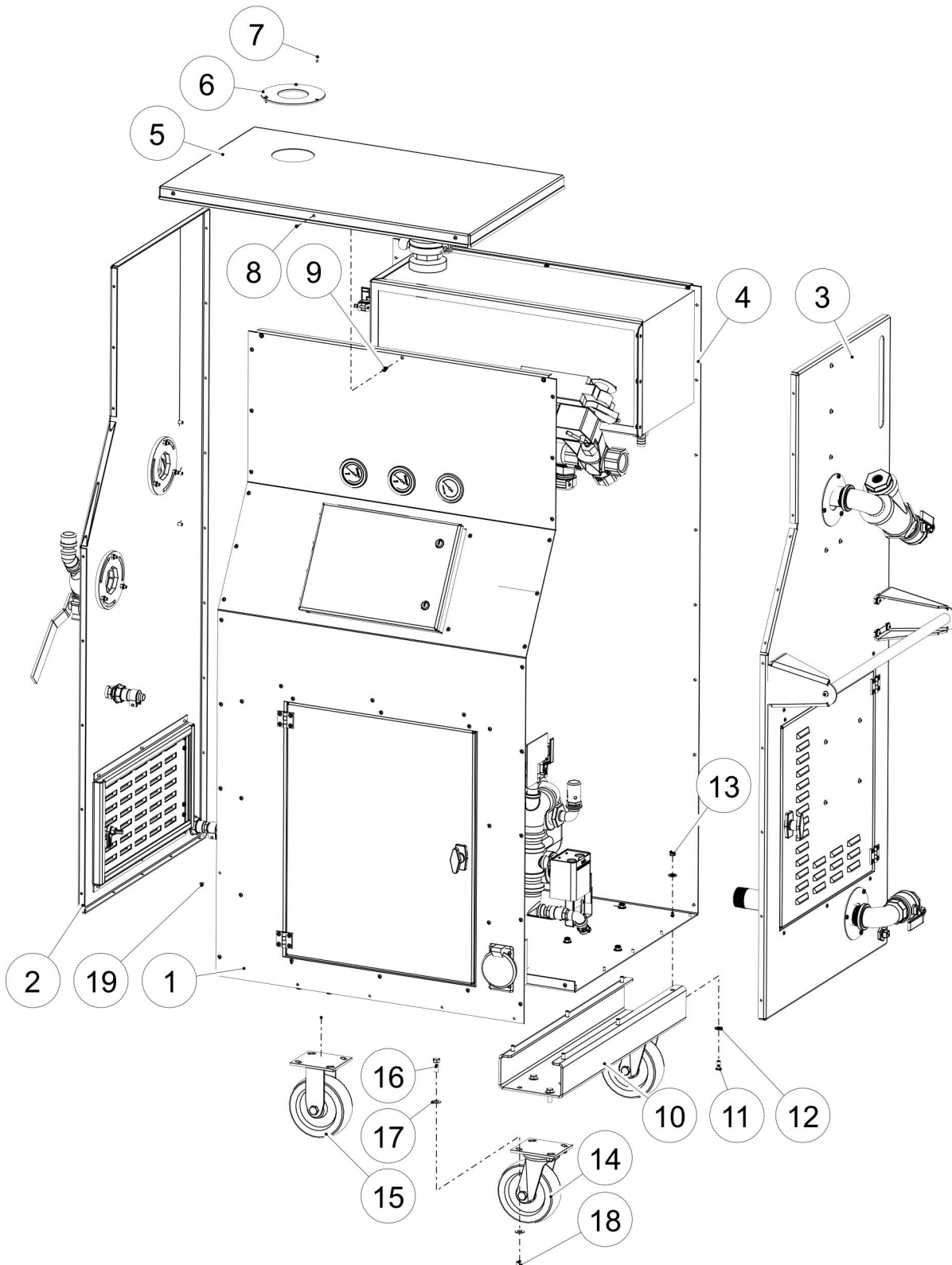




HESF1000
Steam Plate Heat Exchanger
Table of Contents

Master Assembly	1.1.1
Front Panel	1.1.3
Kamlock Side Panel	1.1.5
Handle Side Panel	1.1.7
Front Door	1.1.9
Kamlock Side Door	1.1.11
Handle Side Door	1.1.13
Control Panel	1.1.15
Kamlocks	1.1.17
Interior Components	2.1.1
Plate Heat Exchanger	2.1.3
Steam Trap	2.1.5
Pump	2.1.7
Hose Routings	2.1.11
Decals	3.1.1

HESF1000 Steam Plate Heat Exchanger Master Assembly

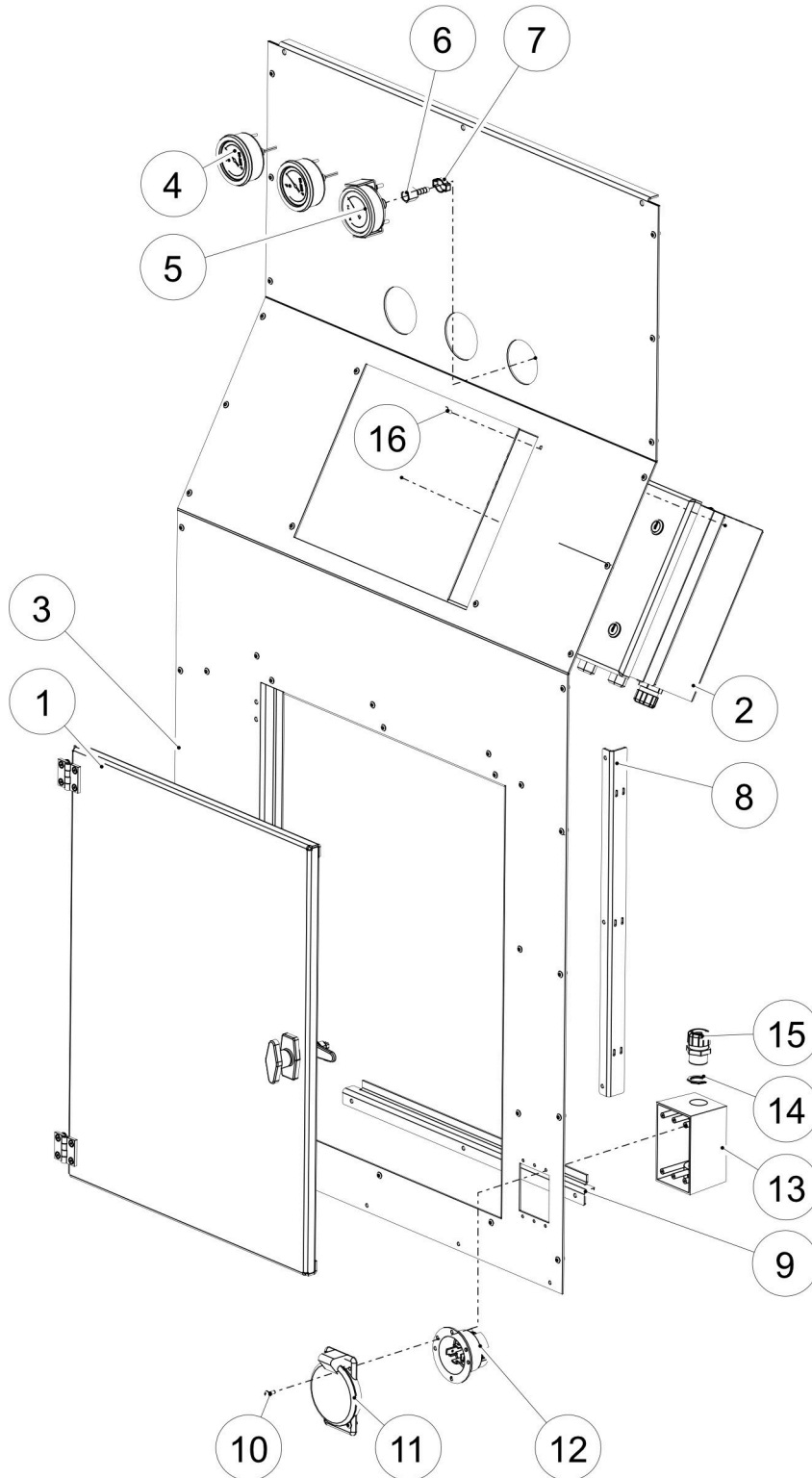




**HESF1000
Steam Plate Heat Exchanger
Master Assembly**

S/N: 1390-01 -
S/N: Current
PAGE: 1.1.2

Item No.	Part No.	Description	Qty.
1		FRONT PANEL AND COMPONENTS see page 1.1.3	
2		KAMLOCK SIDE PANEL AND COMPONENTS see page 1.1.5	
3		HANDLE SIDE PANEL AND COMPONENTS see page 1.1.7	
4		INTERNAL COMPONENTS see page 2.1.1	
5	004-704457	PNL TOP STEAM PLT HESF-1000	1
6	004-902495	RING 2.875ID X 6OD 10GA ALUM	3
7	001-704522	SCRW SH MET #8x1/2 PAN HD SS	9
8	001-704515	SCRW MACH 10-24X1/2 SS UNC BTN HD 1/8HEX DR	10
9	001-704560	INSERT THD 10-24 RND BODY	10
10	004-704461	CHAN BASE STEAM PLT HESF-1000	2
11	001-704504	BOLT BTN HD 5/16X3/4L SS 3/16HEX DR	12
12	001-703916	WSHR FLT 5/16 SS	24
13	001-703915	NUT LKG 5/16 SS UNC	12
14	009-901711	WHEEL CASTER SWIVEL STEAM PLT	2
15	009-901710	WHEEL CASTER SOLID STEAM PLT	2
16	001-901388	BOLT 3/8X1 SS UNC	16
17	001-901390	WSHR FLT 3/8 SS	32
18	001-901389	NUT LKG 3/8 SS UNC	16
19	001-704502	RIVET 3/16D GRP .188-.250 SS	89

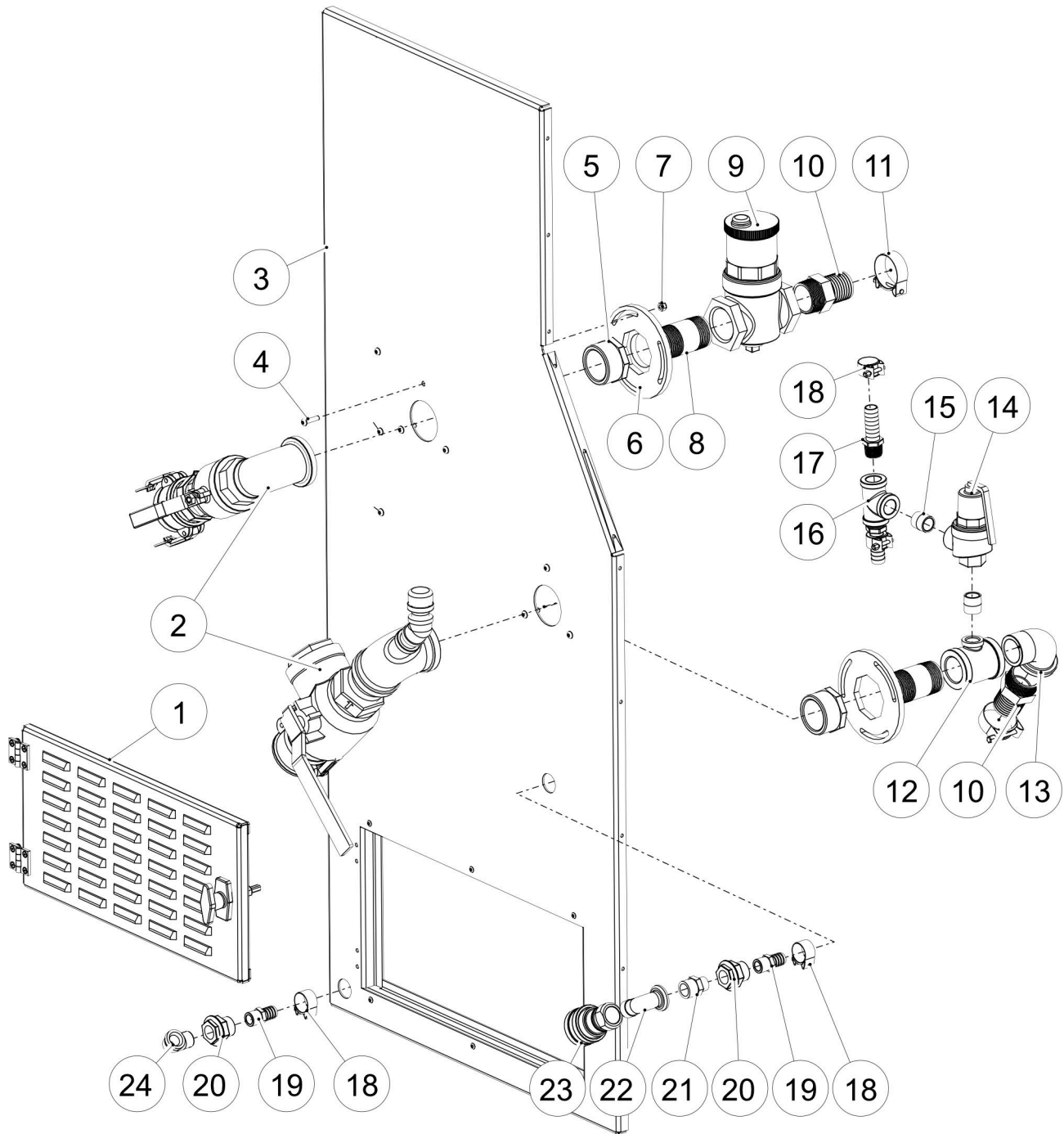




**HESF1000
Steam Plate Heat Exchanger
Front Panel**

S/N: 1390-01 -
S/N: Current
PAGE: 1.1.4

Item No.	Part No.	Description	Qty.
1		FRONT DOOR see page 1.1.9	
2		CONTROL PANEL see page 1.1.15	
3	004-704456	PNL FRT STEAM PLT HESF-1000	1
4	005-701073	GAUGE TEMP 60IN CPLRY 40-240DEG F WIKA	2
5	005-702752	GAUGE PRESS 0-200PSI 1/4NPT 2-1/2FACE PNL MNT	1
6	011-704512	NIPL COMB 1/4NPTFx1/4HB	1
7	001-704493	CLP 2-EAR #17SS 1/4 HOSE	1
8	004-704473	BRKT WIRE HLDR	2
9	004-704595	BRKT ANG DOOR STEAM PLT HESF-1000	2
10	001-704515	SCRW MACH 10-24X1/2 SS UNC BTN HD 1/8HEX DR	4
11	002-900759	CVR RCPT FLANGED INLET TWIST LOCK W/P	1
12	002-900758	RCTP FLANGED INLET TWIST LOCK 30A 125/250V	1
13	002-704221	BOX ELEC 2-5/8IN WTHPRF DIE-CAST AL 3/4IN HUB	1
14	002-701131	LOCKNUT 1/2 STL CONDUIT	1
15	002-700046	CONNECTOR STRN/RLF 3/4 .625-.750 CABLE RNG	1

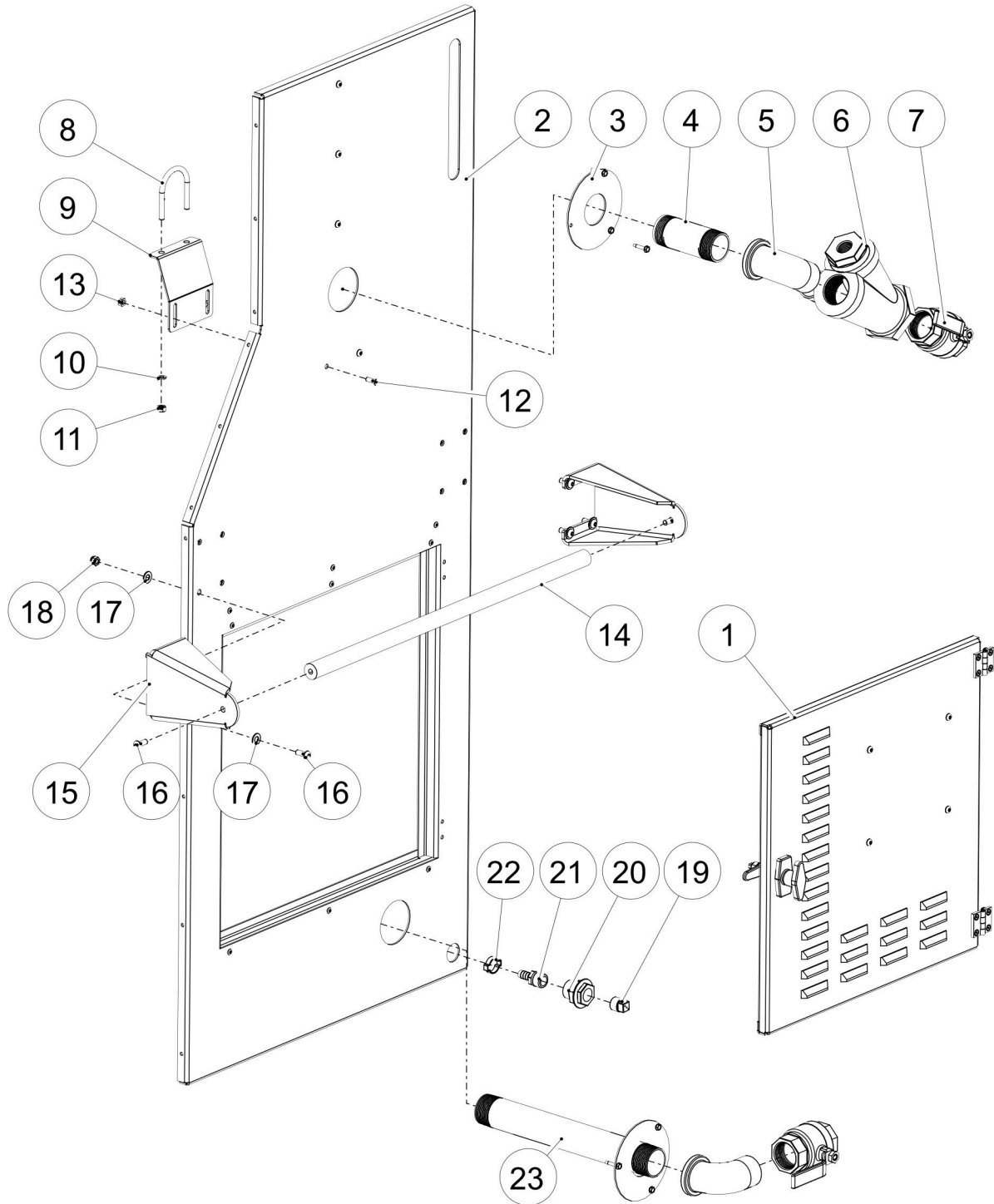




**HESF1000
Steam Plate Heat Exchanger
Kamlock Side Panel**

S/N: 1390-01 -
S/N: Current
PAGE: 1.1.6

Item No.	Part No.	Description	Qty.
1		KAMLOCK SIDE DOOR see page 1.1.11	
2		KAMLOCK PACKAGE see page 1.1.17	
3	004-704454	PNL RIGHT STEAM PLT HESF-1000	1
4	001-704517	SCRW MACH 1/4-20X1 SS BTN HD 5/32HEX DR	6
5	011-703477	BSHG RDCG 2X1-1/2 BRS MXF NPT	2
6	004-704060	ASSY HEX ADPTR FLANGE	2
7	001-703922	NUT LKG 1/4 UNC SS	6
8	011-704063	NIPL 1-1/2 X 3 BRS NPT	2
9	012-702755	AIR ELIM BRS 1-1/2FPT	1
10	011-704528	NIPL COMB 1-1/2NPTx1-1/2HB BRS	2
11	001-704412	CLP HOSE HEAVY DUTY 1.85-2.01 RNG (47-51mm)	2
12	011-704499	TEE RDCG 1-1/2x1-1/2x3/4BRS NPT	1
13	011-704501	ELB ST 1-1/2x90DEG BRS NPT	1
14	005-704476	VLV SAF PRESS RLF 125PSI 3/4NPT BRS	1
15	011-703102	NIPL 3/4X1(CL) BRS NPT	2
16	011-703902	TEE 3/4 BRS	1
17	011-702701	NIPL COMB 3/4NPTX3/4HB BRS	2
18	001-704411	CLP HOSE HEAVY DUTY 1.06-1.14 RNG (27-29mm)	4
19	011-704508	NIPL COMB 1/2NPTx3/4HB BRS	2
20	011-703047	FTG BHD CPLG BRS 1/2 FPT	2
21	011-704509	ADPTR BRS 1/2NPTx3/4NPT	1
22	011-702414	ELB ST 3/4X90DEG BRS NPT	1
23	011-701518	QC CPLR 3/4 BRS NPTF	1
24	011-703048	ELB ST 1/2X90DEG BRS NPT	1

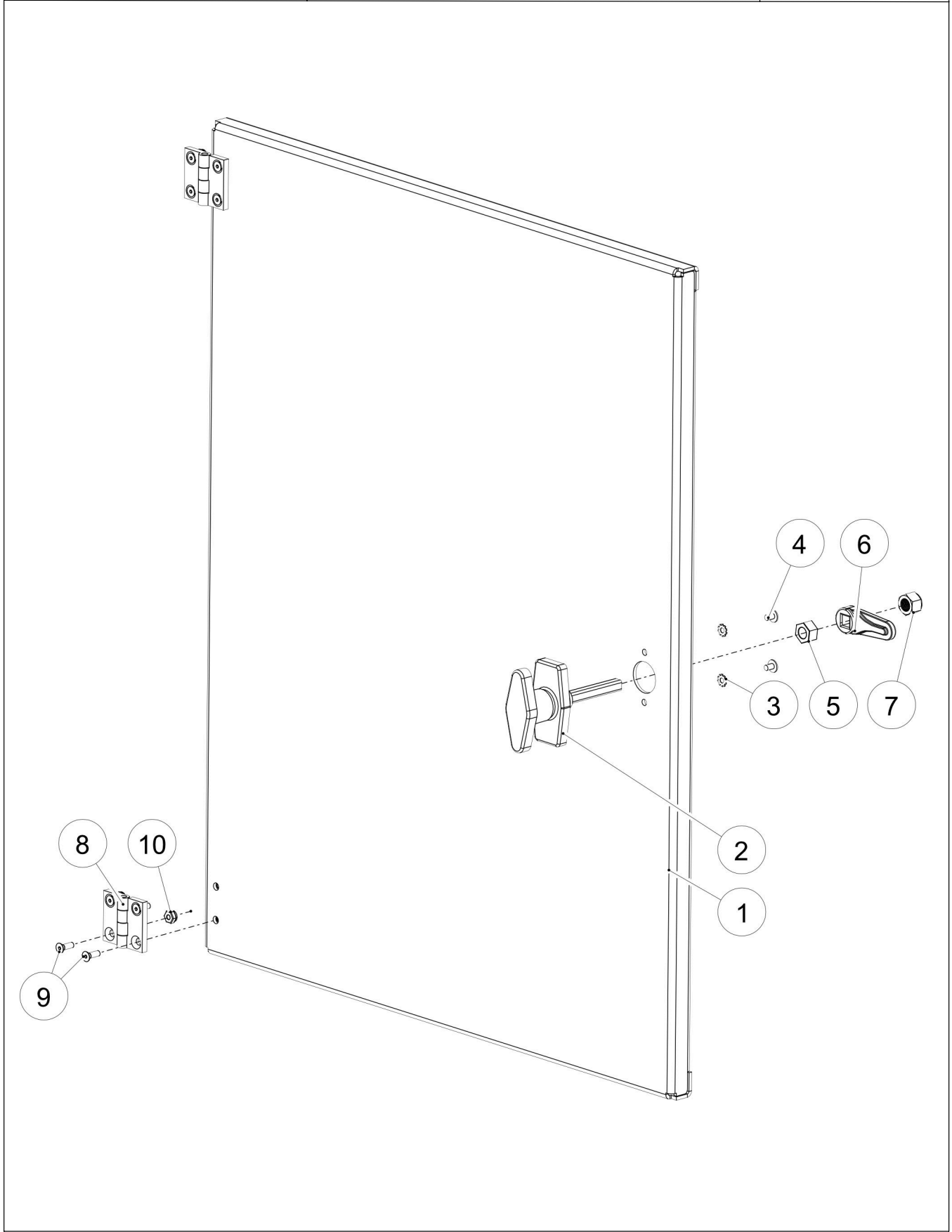




**HESF1000
Steam Plate Heat Exchanger
Handle Side Panel**

S/N: 1390-01 -
S/N: Current
PAGE: 1.1.8

Item No.	Part No.	Description	Qty.
1		HANDLE SIDE DOOR see page 1.1.13	
2	004-704455	PNL LEFT STEAM PLT HESF-1000	1
3	004-704462	RING 1.96 ID X 5 OD	2
4	011-704510	NIPL 1-1/2x4-1/2 BRS	1
5	011-704501	ELB ST 1-1/2x90DEG BRS NPT	2
6	011-704479	STRAINER Y 1-1/2NPTF BRZ 20MSCRN	1
7	011-700580	VLV BALL 1-1/2 400WOG FL PT BRS CGA NPTF	2
8	001-704521	U-BOLT 5/16-18x2x2-11/16 PLD	1
9	004-704492	BRKT STEAM PIPE HLDR	1
10	001-700935	WSHR LOCK 5/16 PLD	2
11	001-700889	NUT 5/16 PLD	2
12	001-704516	SCRW MACH 1/4-20X3/4 SS BTN HD 5/32HEX DR	2
13	001-703922	NUT LKG 1/4 UNC SS	2
14	004-704465	ROD 1 OD X 25 1/4L AL	1
15	004-704464	BRKT HNDL STEAM PLT HESF-1000	2
16	001-704504	BOLT BTN HD 5/16X3/4L SS 3/16HEX DR	10
17	001-703916	WSHR FLT 5/16 SS	16
18	001-703915	NUT LKG 5/16 SS UNC	8
19	011-702702	PLUG BRS 1/2 NPT SQ HD	1
20	011-703047	FTG BHD CPLG BRS 1/2 FPT	1
21	011-702565	NIPL COMB 1/2NPTX1/2HB BRS	1
22	001-702552	CLP 2-EAR #22SS - 1/2ID HOSE	1
23	004-704495	NIPL 1-1/2X13-1/2 NPT	1

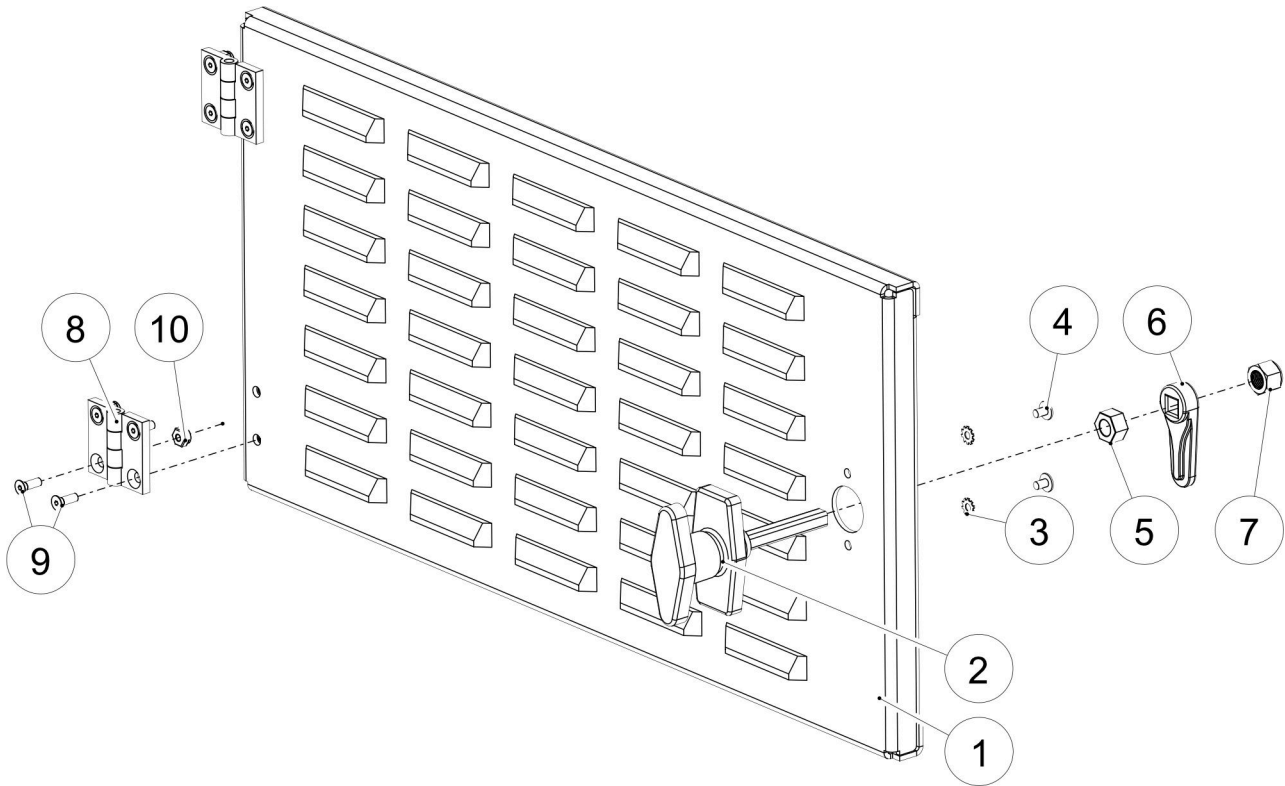




**HESF1000
Steam Plate Heat Exchanger
Front Door**

S/N: 1390-01 -
S/N: Current
PAGE: 1.1.10

Item No.	Part No.	Description	Qty.
	018-905710	ASSY DOOR FRT HESF 1000 (Includes 1-10)	1
	018-905858	PKG HNDL T-LKG CHROME 2.5IN CH751 CW CAM & NUT (Includes 2-7)	1
1	004-704458	DOOR FRT STEAM PLT HESF-1000	1
2	017-904514	HNDL T-LKG CHROME 2.5IN THRD SHAFT CH751 KEY	1
3	001-900778	WSHR STAR #8 STUD EXT TOOTH	2
4	001-900779	SCRW MACH 8-32X1/4 PANHEAD	2
5	001-704695	NUT 3/8-24 UNF	1
6	017-704694	LOCK CAM C15 ZINC	1
7	001-903811	NUT LKG NYL 3/8 UNF 24THRD GR5 PLD	1
8	017-704489	HINGE BUTT SS 1172	2
9	001-704506	SCRW MACH 8-32X1/2L SS FLAT HD 3/32HEX DR	8
10	001-704503	NUT LKG NYL 8-32 SS UNC	8
		The following components may not be Shown	
	006-904755	KEY CH751 T-LKG HNDL CHROME 4IN	

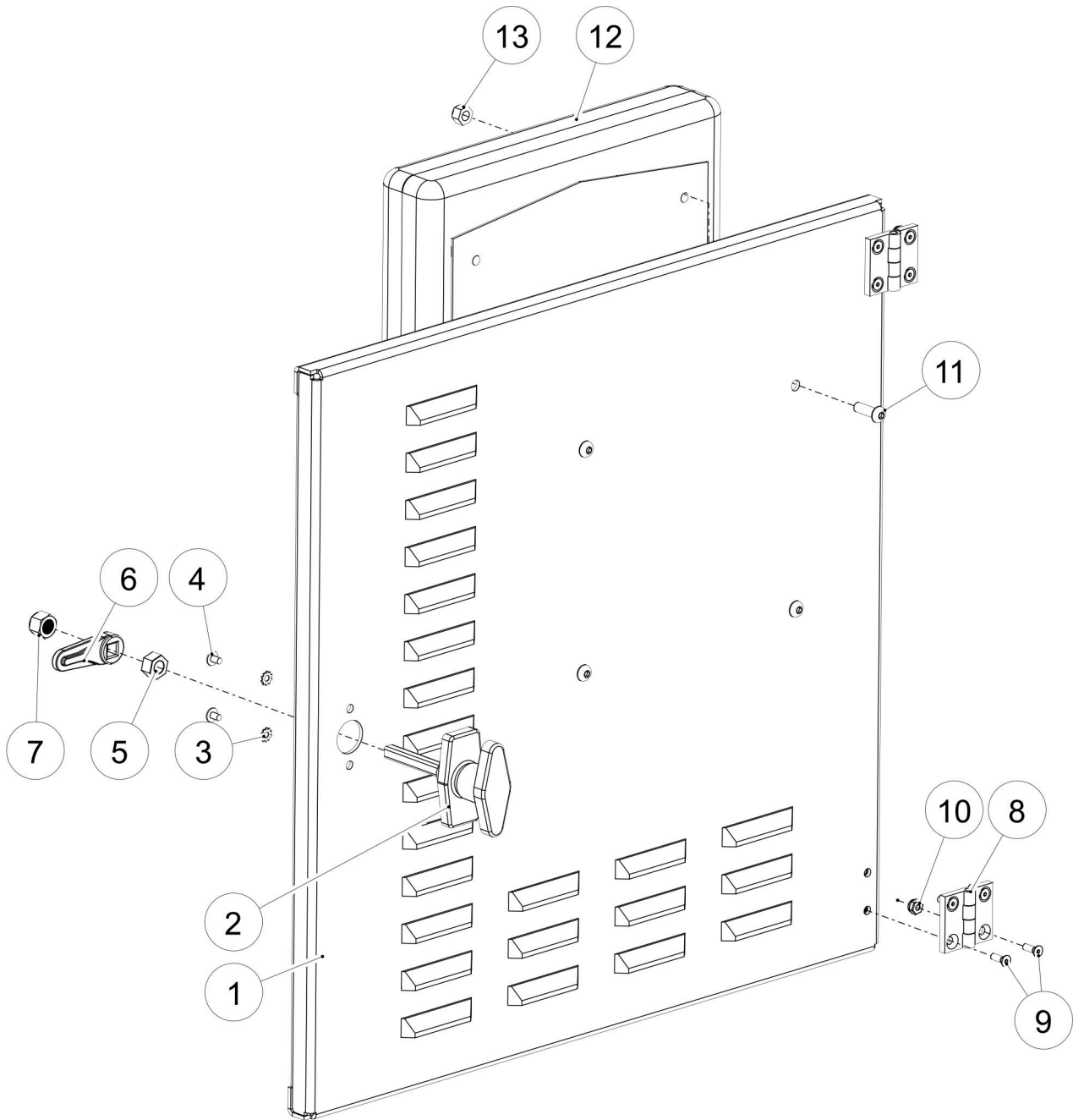




HESF1000
Steam Plate Heat Exchanger
Kamlock Side Door

S/N: 1390-01 -
 S/N: Current
 PAGE: 1.1.12

Item No.	Part No.	Description	Qty.
	018-905709	ASSY DOOR LEFT HESF 1000 (Includes 1-10)	1
	018-905858	PKG HNDL T-LKG CHROME 2.5IN CH751 CW CAM & NUT (Includes 2-7)	1
1	004-704458	DOOR FRT STEAM PLT HESF-1000	1
2	017-904514	HNDL T-LKG CHROME 2.5IN THRD SHAFT CH751 KEY	1
3	001-900778	WSHR STAR #8 STUD EXT TOOTH	2
4	001-900779	SCRW MACH 8-32X1/4 PANHEAD	2
5	001-704695	NUT 3/8-24 UNF	1
6	017-704694	LOCK CAM C15 ZINC	1
7	001-903811	NUT LKG NYL 3/8 UNF 24THRD GR5 PLD	1
8	017-704489	HINGE BUTT SS 1172	2
9	001-704506	SCRW MACH 8-32X1/2L SS FLAT HD 3/32HEX DR	8
10	001-704503	NUT LKG NYL 8-32 SS UNC	8
		The following components may not be Shown	
	006-904755	KEY CH751 T-LKG HNDL CHROME 4IN	

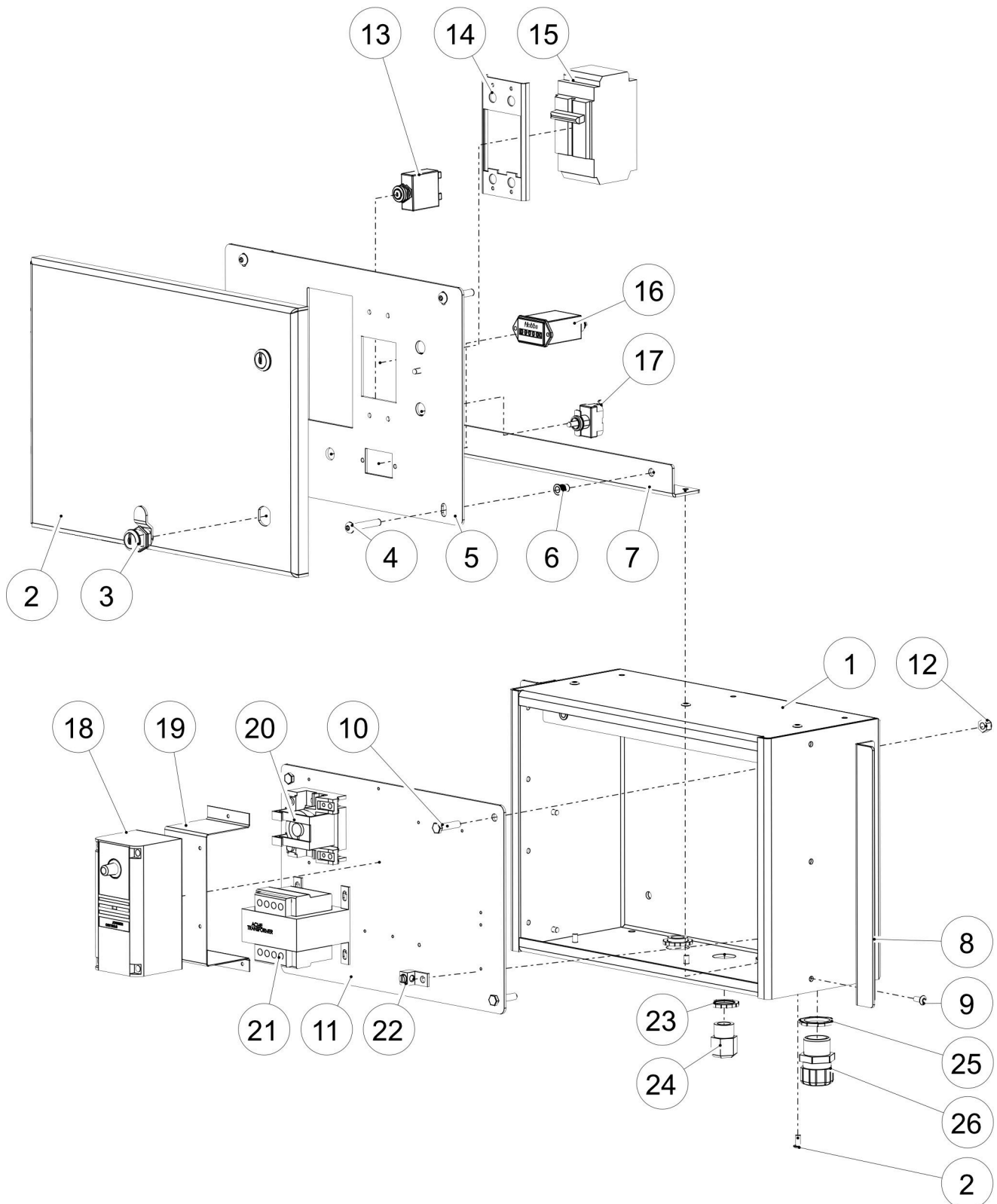




**HESF1000
Steam Plate Heat Exchanger
Handle Side Door**

S/N: 1390-01 -
S/N: Current
PAGE: 1.1.14

Item No.	Part No.	Description	Qty.
	018-905708	ASSY DOOR RIGHT HESF 1000 (Includes 1-13)	1
	018-905858	PKG HNDL T-LKG CHROME 2.5IN CH751 CW CAM & NUT (Includes 2-7)	1
1	004-904015	DOOR RIGHT STEAM PLATE HESF-1000 W-LOUVERS	1
2	017-904514	HNDL T-LKG CHROME 2.5IN THRD SHAFT CH751 KEY	1
3	001-900778	WSHR STAR #8 STUD EXT TOOTH	2
4	001-900779	SCRW MACH 8-32X1/4 PANHEAD	2
5	001-704695	NUT 3/8-24 UNF	1
6	017-704694	LOCK CAM C15 ZINC	1
7	001-903811	NUT LKG NYL 3/8 UNF 24THRD GR5 PLD	1
8	017-704489	HINGE BUTT SS 1172	2
9	001-704506	SCRW MACH 8-32X1/2L SS FLAT HD 3/32HEX DR	8
10	001-704503	NUT LKG NYL 8-32 SS UNC	8
11	001-704516	SCRW MACH 1/4-20X3/4 SS BTN HD 5/32HEX DR	4
12	016-702616	CASE OPR MNL MANUAL-PAK	1
13	001-703922	NUT LKG 1/4 UNC SS	4
		The following components may not be Shown	
	006-904755	KEY CH751 T-LKG HNDL CHROME 4IN	

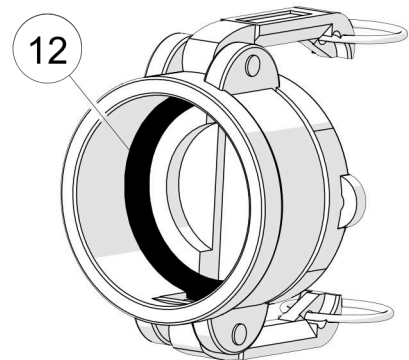
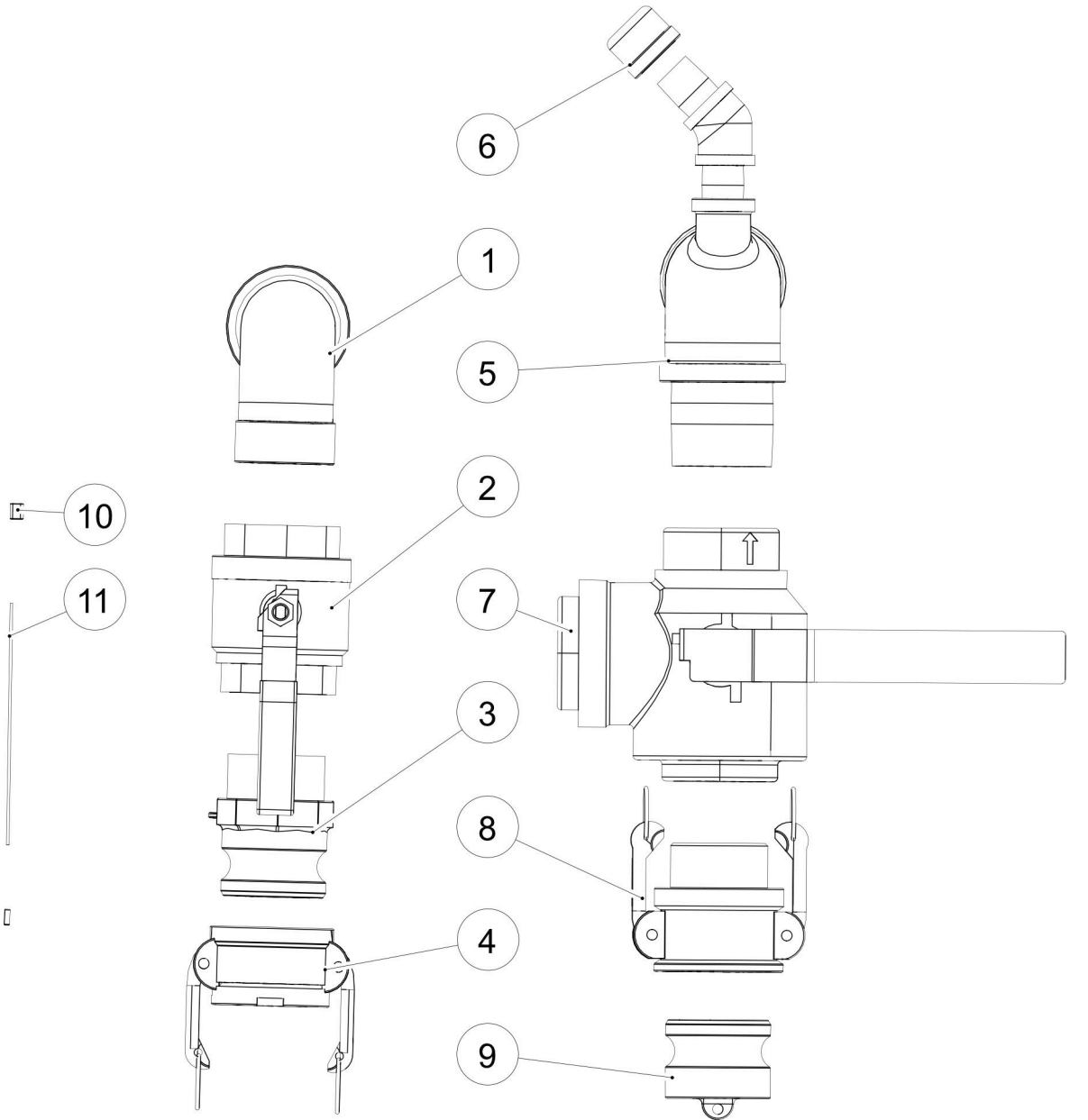




HESF1000 Steam Plate Heat Exchanger Control Panel

S/N: 1390-01 -
S/N: Current
PAGE: 1.1.16

Item No.	Part No.	Description	Qty.
	018-704554	PKG ELEC ENCL STEAM PLT HEAT EXCH (Includes 1-20)	1
1	004-704563	BOX ELEC ENCL 10X14X6 AL	1
2	004-704573	LID ASSY ELEC ENCL 10X14X6 AL	1
3	001-703956	LOCK CAM 545 1/4 IN OFFSET STRIKE	2
4	001-704568	BOLT PAN HD 1/4X1-1/2L SS	4
5	004-704570	PNL FRT 8-1/2X12-1/2	1
6	001-704560	INSERT THD 10-24 RND BODY	4
7	004-704566	ANG AL INNER ELEC ENCL 10X14X6	2
8	004-704565	ANG AL OUTER ELEC ENCL 10X14X6	2
9	001-704502	RIVET 3/16D GRP .188-.250 SS	15
10	001-700739	BOLT 1/4X1 PLD GR5	4
11	004-704569	PNL BACK 8X12IN	1
12	001-703922	NUT LKG 1/4 UNC SS	4
13	002-703116	BRKR CKT 3A SP PUSH-TO-RESET	1
14	002-704562	BRKT BRKR HLDR TQCFMP2	1
15	002-704556	BRKR DP 15A GE	1
16	002-703051	METER HOUR 120VAC RECT 2-SCRW	1
17	002-701359	SW TGL SPST 20A 125V SCRW TERM	2
18	005-702256	CONT TEMP A350PS-2C 90-250F	1
19	004-703114	BRKT TEMP CONT MNT ELEC ENCL MOD 2000-0250 R02	1
20	002-704555	RELAY 24V DPDT 30A-240V	1
21	002-704297	XFMR 240V/24V 50VA CE/UL	1
22	002-704291	LUG ELEC GROUND ALUMINUM	1
23	002-701131	LOCKNUT 1/2 STL CONDUIT	2
24	002-700810	CONNECTOR STRN/RLF 1/2 .500-.562 CABLE RNG	2
25	002-701133	LOCKNUT 3/4 STL CONDUIT	1
26	002-700046	CONNECTOR STRN/RLF 3/4 .625-.750 CABLE RNG	1
		The following components may not be shown	
	001-702305	KEY FOR 545 CAM LOCK 5/8 X 2-1/2	
	005-906611	SNSR TEMP JOHNSON A99BB-200C 6-1/2FT LENGTH <small>Replacement sensor</small>	1



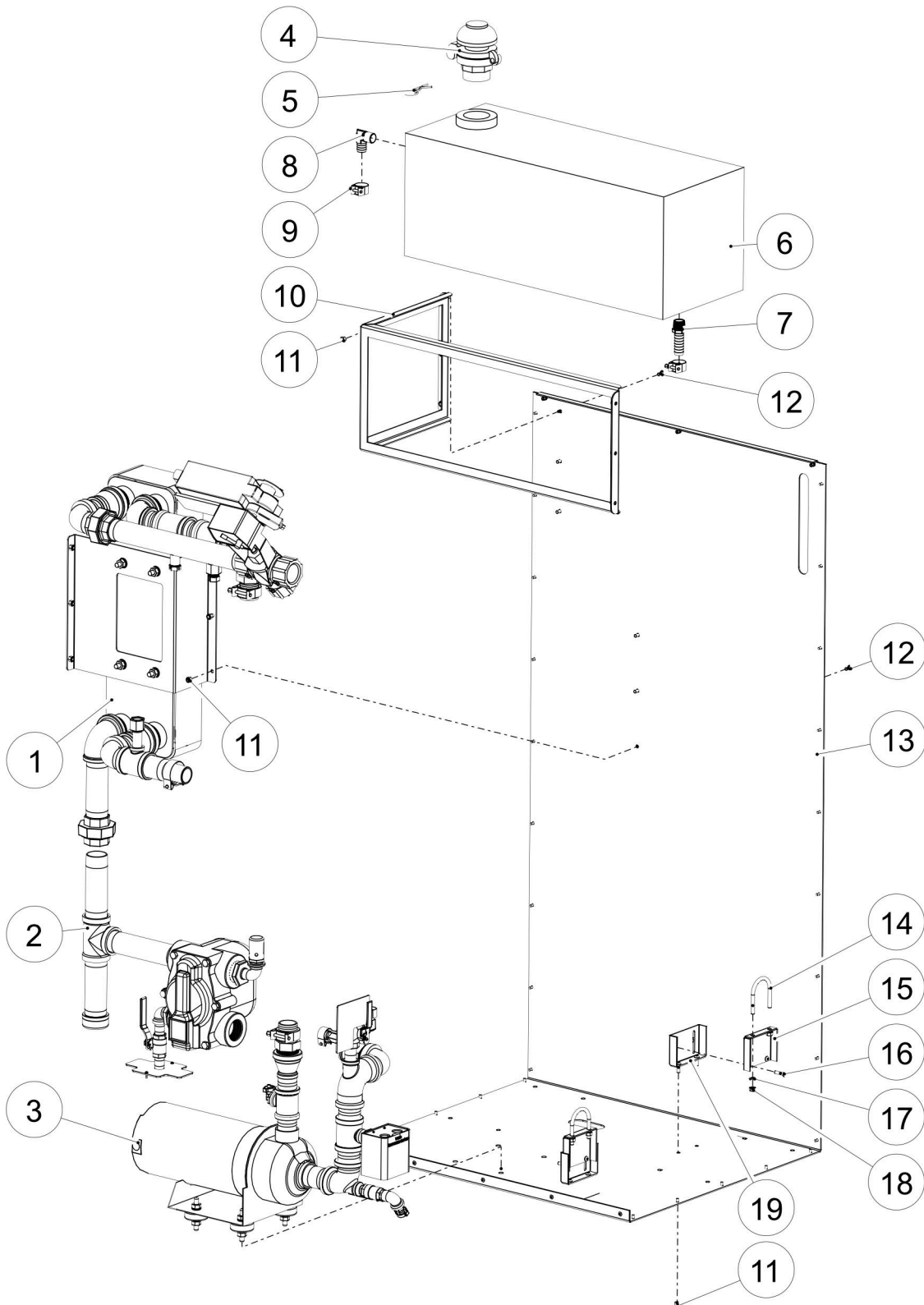


**HESF1000
Steam Plate Heat Exchanger
Kamlocks**

S/N: 1390-01 -
S/N: Current
PAGE: 1.1.18

Item No.	Part No.	Description	Qty.
	018-704552	PKG KMLCK 2 M-F STEAM PLT HEAT EXCH (Includes 1-11)	1
1	011-704524	ELB ST 2X90 DEG BRS	1
2	011-701442	VLV BALL 2 FL PT CSA/UL	1
3	011-700278	KMLCK 2 PART F ADPTR AL NPTM	1
4	011-700390	KMLCK 2 PART DC DUST CAP AL	1
5	018-904017	PKG ELB HESF 1000 GLY RTN (Comes with #6)	1
6	011-700138	CAP 3/4 MI CL150 NPT	1
7	011-704553	VLV BALL Y-STRN COMBO 2 BRS	1
8	011-700279	KMLCK 2 PART B CPLR AL NPTM	1
9	011-700391	KMLCK 2 PART DP DUST PLUG AL	1
10	001-700450	SLEEVE OVAL 1/16 AL CABLE	4
11	001-700451	CABLE ACFT 7X7 1/16 GALV	3 FT
12A	006-702962	GSKT 2IN KMLCK CPLR THICK	2
12B	006-702959	GSKT 2IN KMLCK CPLR STD	2
12C	006-900823	GSKT 2IN KMLCK CPLR SILICONE RBR	2

HESF1000 Steam Plate Heat Exchanger Interior Components

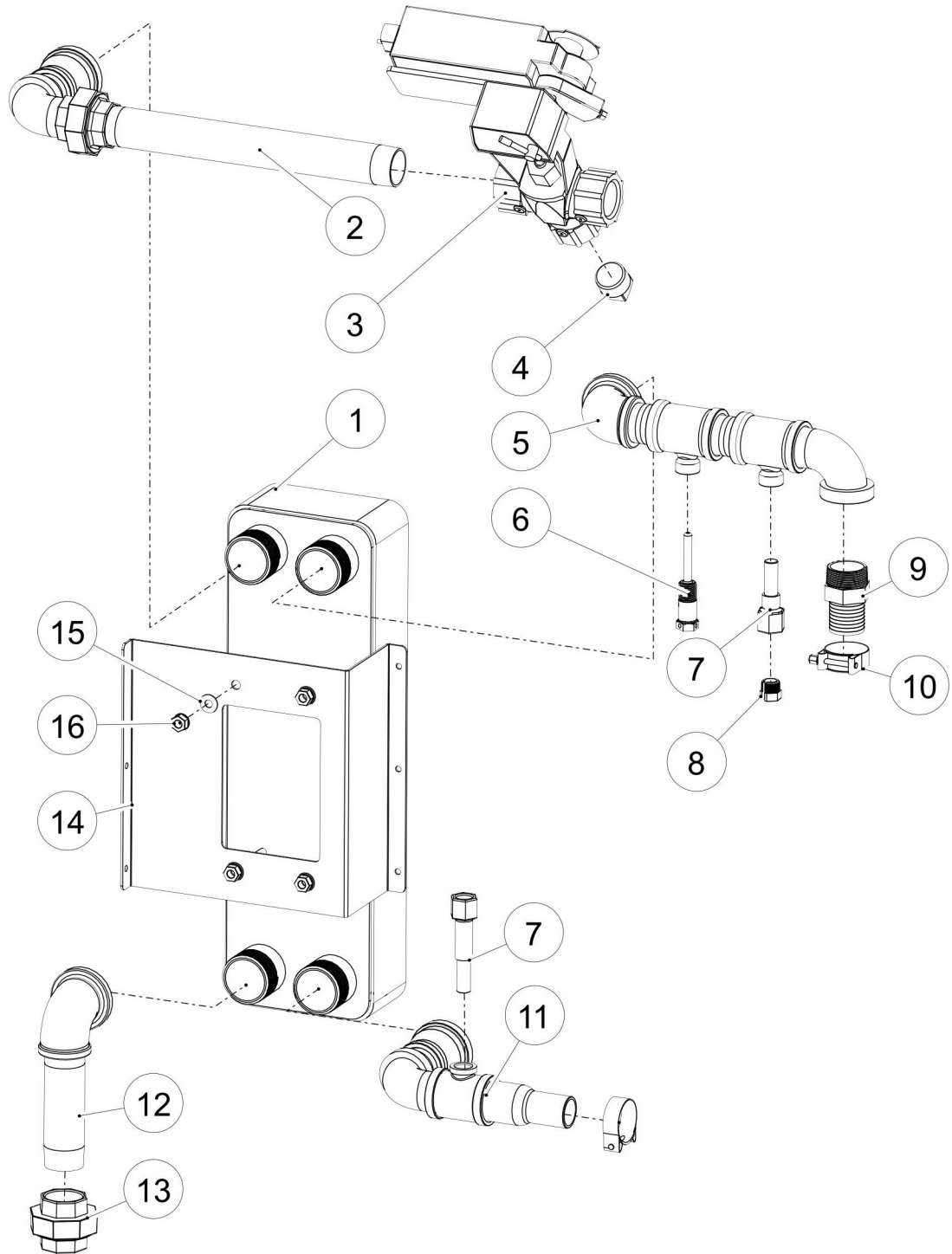




HESF1000
Steam Plate Heat Exchanger
Interior Components

S/N: 1390-01 -
 S/N: Current
 PAGE: 2.1.2

Item No.	Part No.	Description	Qty.
1		PLATE HEAT EXCHANGER see page 2.1.3	
2		STEAM TRAP see page 2.1.5	
3		PUMP see page 2.1.7	
4	011-704482	CAP VENTED FILLER 2IN NPT AL	1
5	001-704514	HITCH PIN CLIP #9	1
6	016-704474	RSVR 12WX11HX26-1/4L POLYETHYLENE	1
7	011-702701	NIPL COMB 3/4NPTX3/4HB BRS	1
8	011-704084	NIPL COMB 3/4NPTX3/4HB 90DEG BRS	1
9	001-704411	CLP HOSE HEAVY DUTY 1.06-1.14 RNG (27-29mm)	2
10	004-704491	HLDR RSVR STEAM PLT HESF-1000	1
11	001-703922	NUT LKG 1/4 UNC SS	20
12	001-704518	SCRW MACH 1/4-20X1/2 SS BTN HD 5/32HEX DR	12
13	004-902411	PNL BODY REAR STEAM PLT HESF-1000 SG	1
14	001-704521	U-BOLT 5/16-18x2x2-11/16 PLD	2
15	004-704469	BRKT TOP CLP HLDR	2
16	001-704517	SCRW MACH 1/4-20X1 SS BTN HD 5/32HEX DR	8
17	001-700935	WSHR LOCK 5/16 PLD	4
18	001-700889	NUT 5/16 PLD	4
19	004-704468	BRKT BOT CLP HLDR	2

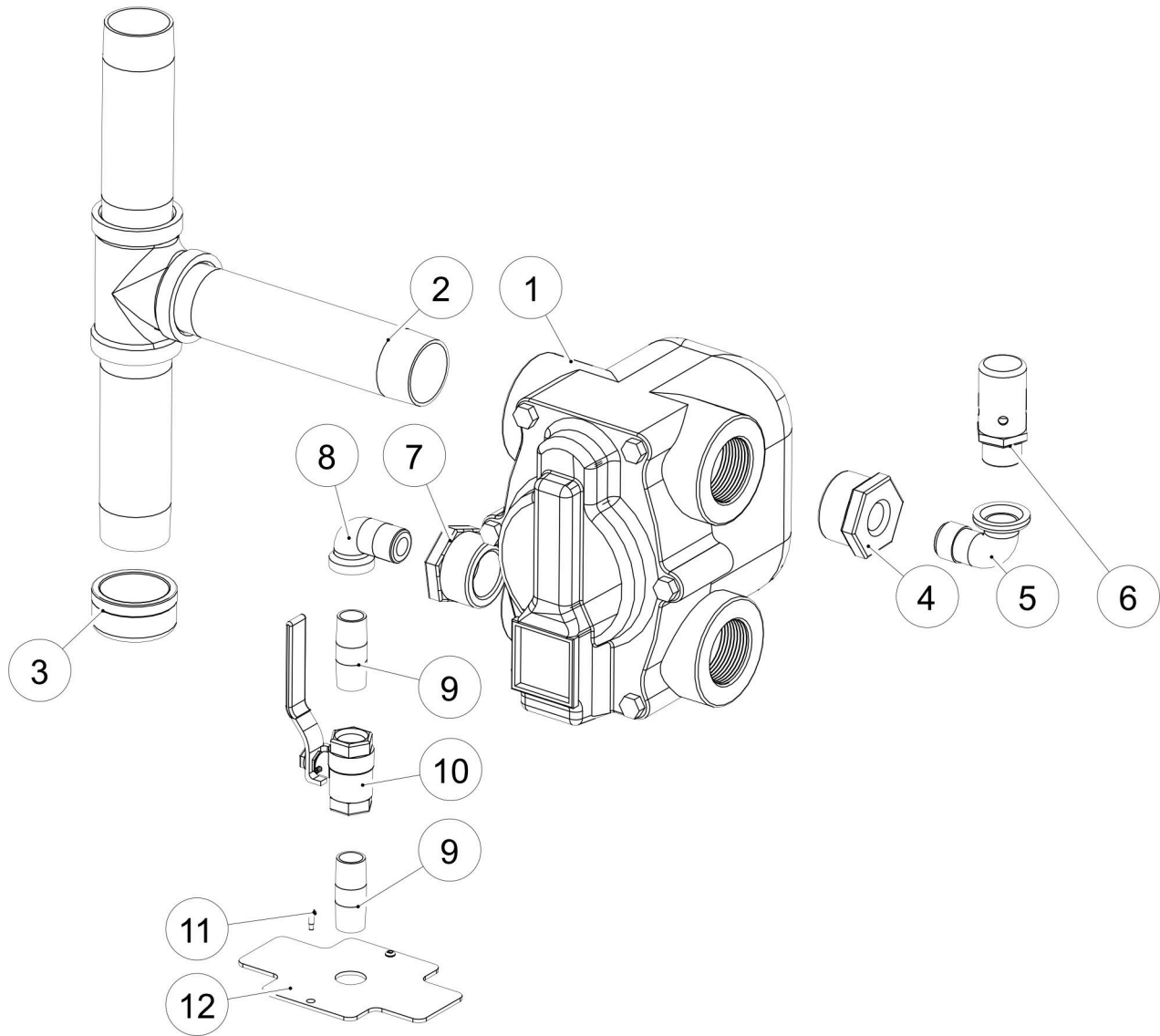




HESF1000
Steam Plate Heat Exchanger
Plate Heat Exchanger

S/N: 1390-01 -
 S/N: Current
 PAGE: 2.1.4

Item No.	Part No.	Description	Qty.
1	012-704481	PLT HEAT EXCH 1MBTU 30 PLTS	1
2	004-704538	PLMB STEAM SPLY UPPER (Includes #13)	1
3	005-704480	VLV CTRL 1-1/2NPTF VE4000 SPARTAN	1
4	011-700565	PLUG 1-1/2 SQ HD MI NPTM CL150/PN20	1
5	004-704536	PLMB GLY SPLY UPPER	1
6	005-704272	WELL THERM BULB ASSY 1/2IN NPT	1
7	005-702592	WELL THERM BRS 4-3/8IN .385 BORE 1/2IN NPT	2
8	005-702757	NUT SPLIT WELLCAP 3/4FINE THREAD	1
9	011-704528	NIPL COMB 1-1/2NPTx1-1/2HB BRS	1
10	001-704412	CLP HOSE HEAVY DUTY 1.85-2.01 RNG (47-51mm)	2
11	018-704533	PLMB GLY RTN STEAM PLT CW BRS FTG (Includes #7)	1
12	004-704534	PLMB STEAM PLT RTN UPPER (Includes #13)	1
13	011-700589	UNION MI 1-1/2 CL150 NPT	2
14	004-704470	BRKT STEAM PLT HLDR	1
15	001-700719	WSHR FLT 3/8 PLD	4
16	001-700721	NUT LKG NYL 3/8 UNC PLD	4

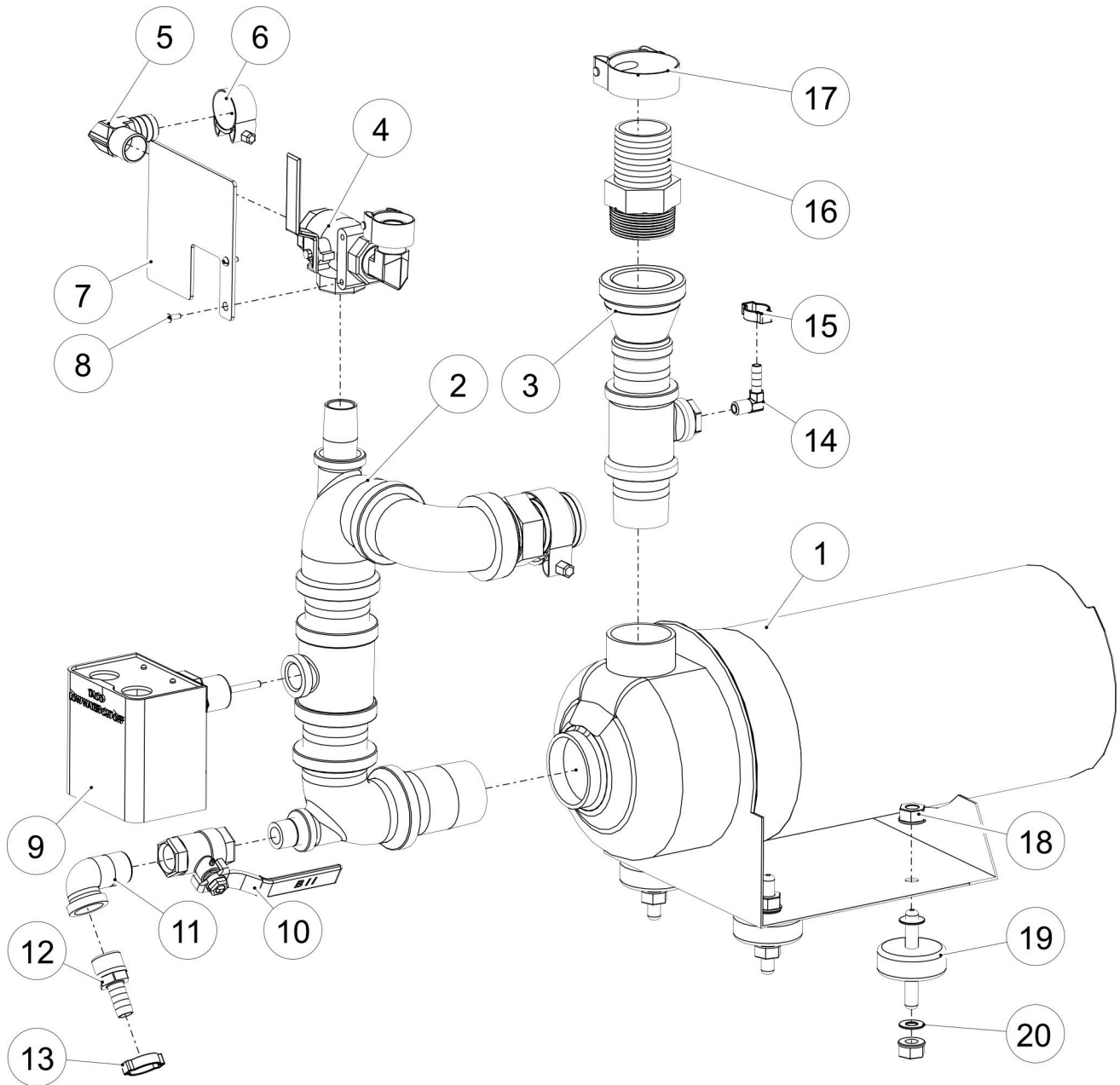




HESF1000
Steam Plate Heat Exchanger
Steam Trap

S/N: 1390-01 -
 S/N: Current
 PAGE: 2.1.6

Item No.	Part No.	Description	Qty.
1	005-704477	STEAM TRAP 1-1/2NPTF .500 ORF FT015H HOFFMAN	1
2	004-704535	PLMB STEAM PLT RTN LOWER (Includes #3)	1
3	011-700581	CAP 1-1/2 MI CL150 NPT	1
4	011-704496	BSHG RDCG 1-1/2x3/4 BRS NPT	1
5	011-702414	ELB ST 3/4X90DEG BRS NPT	1
6	005-704478	VACUUM BRKR 3/4NPT MODEL62 HOFFMAN	1
7	011-704497	BSHG RDCG 1-1/2x1/2 BRS NPT	1
8	011-703048	ELB ST 1/2X90DEG BRS NPT	1
9	011-704513	NIPL 1/2NPTx2L BRS	2
10	011-700115	VLV BALL 1/2 400WOG STD BRS CGA NPTF	1
11	001-703851	PLMB GLY RTN STEAM PLT CW BRS FTG (Includes #7)	2
12	004-704466	PLMB STEAM PLT RTN UPPER (Includes #13)	1

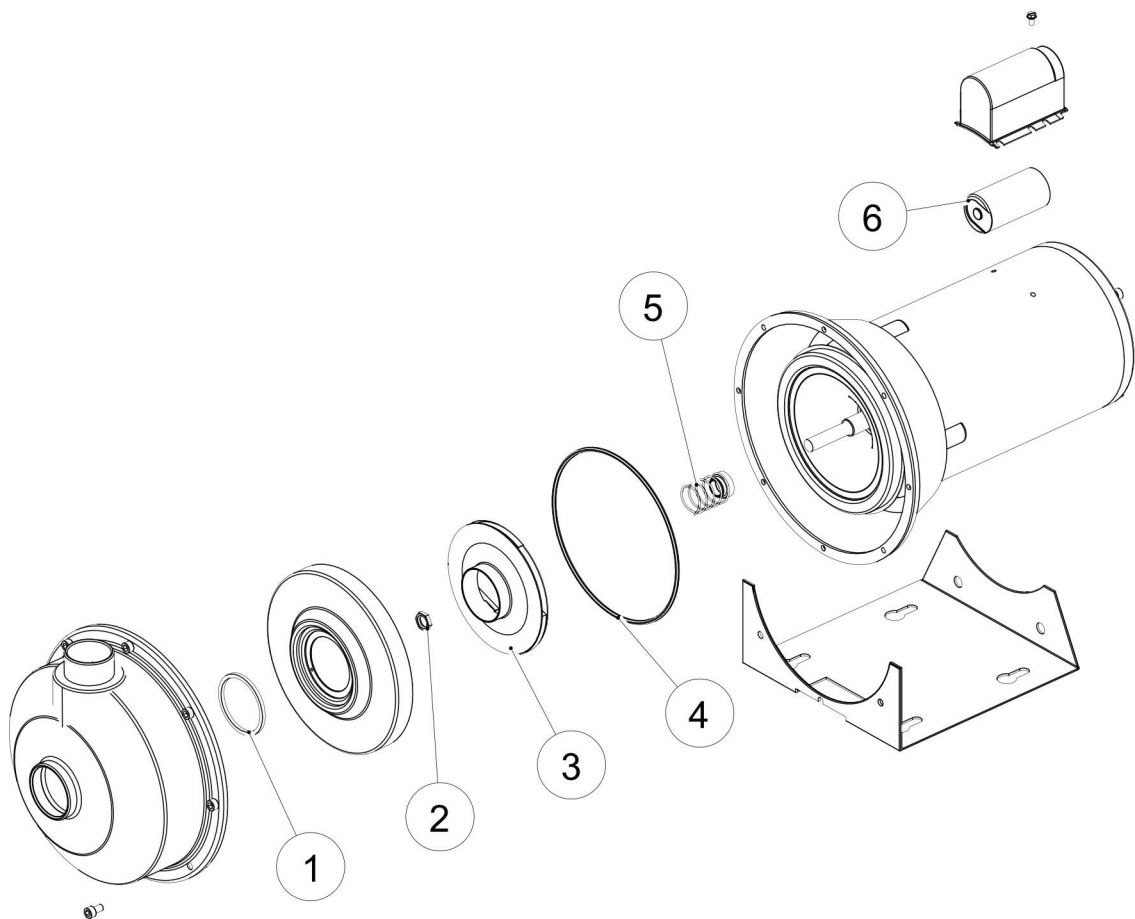




**HESF1000
Steam Plate Heat Exchanger
Pump**

S/N: 1390-01 -
S/N: Current
PAGE: 2.1.8

1	012-800055	PUMP see page 2.1.9	
2	004-704546	PLMB PUMP INLET	1
3	004-704543	PLMB PUMP OUTLET	1
4	011-704483	VLV 3/4NPT 3-WAY BRS	1
5	011-704084	NIPL COMB 3/4NPTX3/4HB 90DEG BRS	2
6	001-704411	CLP HOSE HEAVY DUTY 1.06-1.14 RNG (27-29mm)	2
7	004-704484	PLT 3-WAY VLV	1
8	001-704505	SCRW MACH 6-32X3/8L BTN HD SS 5/64HEX DR	2
9	005-704475	LWCO 24V SHORT PROBE TACO	1
10	011-700115	VLV BALL 1/2 400WOG STD BRS CGA NPTF	1
11	011-703048	ELB ST 1/2X90DEG BRS NPT	1
12	011-702565	NIPL COMB 1/2NPTX1/2HB BRS	1
13	001-702552	CLP 2-EAR #22SS - 1/2ID HOSE	1
14	011-704507	NIPL COMB 1/4NPTx1/4HB 90DEG BRS	1
15	001-704493	CLP 2-EAR #17SS 1/4 HOSE	1
16	011-704528	NIPL COMB 1-1/2NPTx1-1/2HB BRS	2
17	001-704412	CLP HOSE HEAVY DUTY 1.85-2.01 RNG (47-51mm)	2
18	001-700721	NUT LKG NYL 3/8 UNC PLD	8
19	001-702461	MNT VIB NEOPRENE 3/8X1 THRD 2IN DIA X 3L	4
20	001-703916	WSHR FLT 5/16 SS	8





HESF1000 Steam Plate Heat Exchanger Pump

S/N: 1390-01 -
S/N: Current
PAGE: 2.1.10

Item No.	Description	Part No.					
		012-800052 3/4 HP	012-800053 1 HP	012-905311 2 HP	012-800055 2 HP	012-702751 3 HP	
1	SEAL RING GUIDEVANE G & L PUMP	006-703027	006-703008				
2	LOCKNUT IMPELLER G & L PUMP	006-703026					
3	IMPELLER G & L PUMP	006-703028	006-703029	006-703007	006-703030	006-703031	
4	O-RING CASING G & L PUMP	006-703006					
5	SEAL MECH G & L PUMP	006-703005					
6A	CAPACITOR PUMP GOULDS	006-701171	006-702799	006-701171		006-703468	
6B	CAPACITOR RUN PUMP GOULDS <small>CAPACITOR RATING: 60µF 370V</small>						006-906552
6C	CAPACITOR RUN PUMP GOULDS W/ NIDEC MOTOR <small>CAPACITOR RATING: 40µF 370V</small>						006-906922
6D	CAPACITOR START PUMP GOULDS W/ NIDEC MOTOR <small>CAPACITOR RATING: 233-280µF 165V</small>						006-906923
6E	CAPACITOR PUMP GOULDS W/ NIDEC MOTOR <small>CAPACITOR RATING: 189-227µF 110V</small>	006-906943					

REFER TO PUMP MOTOR NAME PLATE EXAMPLES PRIOR TO ORDERING CAPACITORS

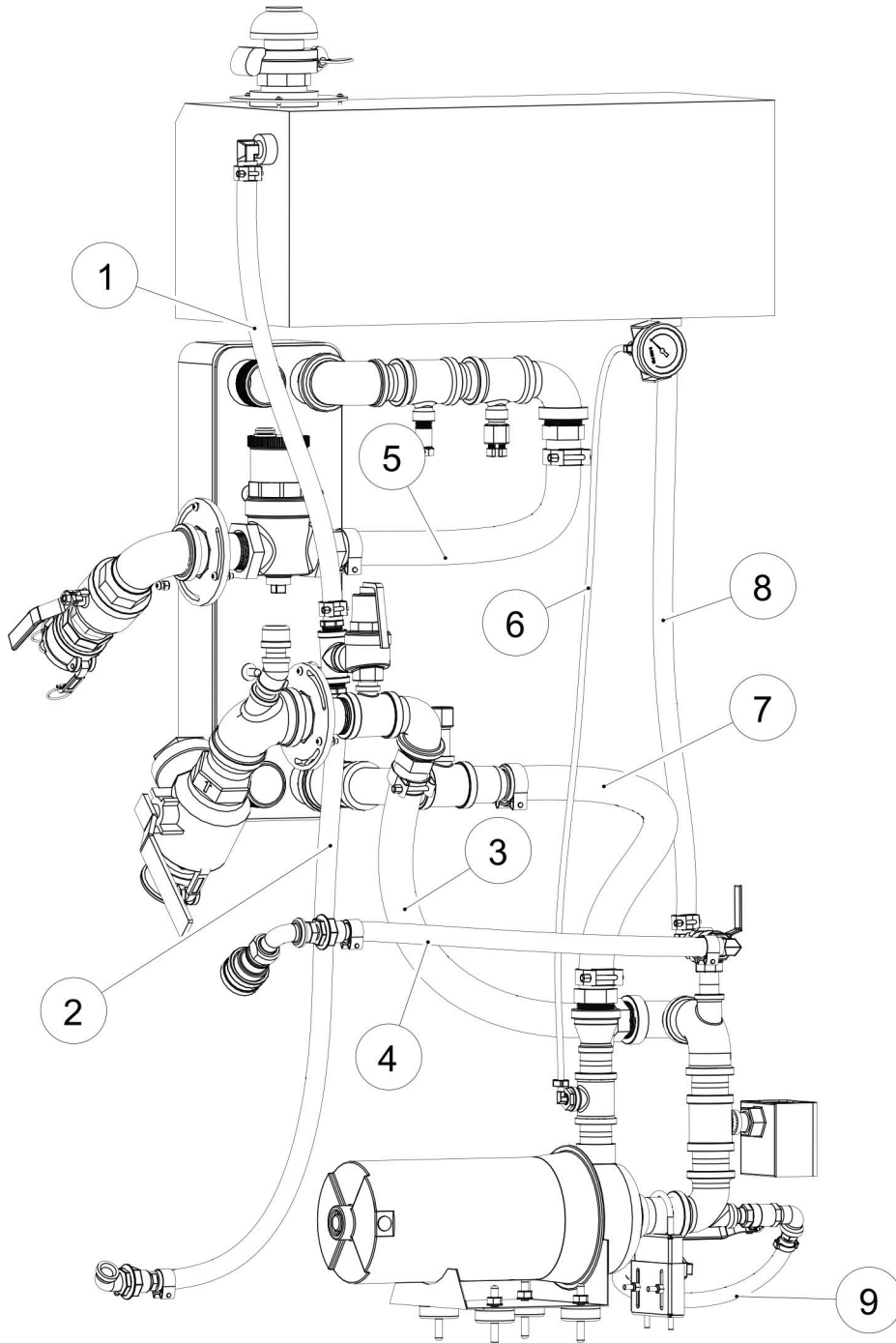
NIDEC MOTOR NAME PLATE EXAMPLE

		CUST. NO. E09054BBS	
CAT. NO.	MODEL	INS F	AMB 40 °C PH 1 CODE E
OTHER PROTECTED	AUTO ENC ODP FRAME 56J	DUTY	CONT DATE CODE
PROT. CODE 00240			
60 HZ DATA	50 HZ DATA	CONNECTIONS	
3 3450 208-230 14.0-13.0 1.15 16.0-14.0	3 2850 220-230 14.0-15.0 1.0 N/A		
CE IP22		<small>MOTOR IS NON-REVERSIBLE COW ROTATOR START END</small>	
<small>SUPPLY CONNECTIONS USE WIRES SIZED ON THE BASIS OF EFFICIENCY AND RATED MINIMUM 50°C.</small>			
SUITABLE FOR FIELD WIRING. USE COPPER CONDUCTORS ONLY			
WARNING: MOTOR MUST BE GROUNDED IN ACCORDANCE WITH LOCAL AND NATIONAL ELECTRIC CODES. COMPONENT COVER MUST BE IN PLACE BEFORE OPERATING TO PREVENT ELECTRICAL SHOCK OR INJURY.			

WEG, BLUFFTON MOTOR NAME PLATE EXAMPLE

		MAT 15350627 SERIAL 107319461	
HZ 60	V 115/208-230 V	HZ 50	V 115/230 V
HP 0.75	RPM 3450	HP 0.75	RPM 2875
FLA 9.2/4.6-4.6	SF 1.5	FLA 12.2/6.1	SF 1.00
SFA 12.0/6.5-6.0	FR 56J	SFA	REF E05C12A1EB6G
INS B	PH 1	CAT	
ENC DP	TYPE U		
INS B	CONT (S1)		
ENC DP			
CERT ID 4103007456	DSN 22H0111 8		
<small>WARNING: Always disconnect motor from power supply before servicing. Fatal shock may result if motor frame and adjacent metal are not grounded in compliance with electrical code.</small>			
<small>THERMALLY PROTECTED AUTOMATIC RESET. Motor will restart without warning after protector trips. Do not install this motor on equipment where automatic startup could result in injury.</small>			

HESF1000
Steam Plate Heat Exchanger
Hose Routings

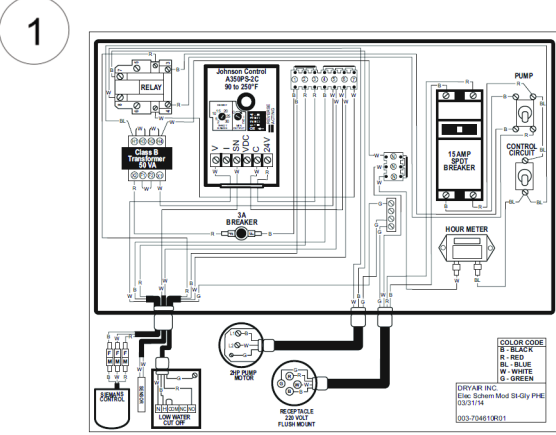




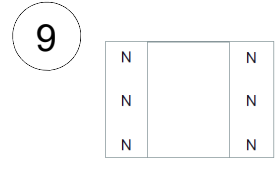
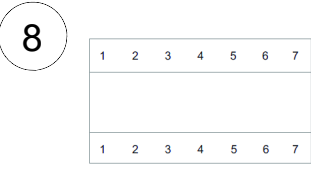
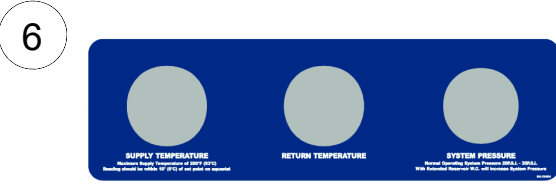
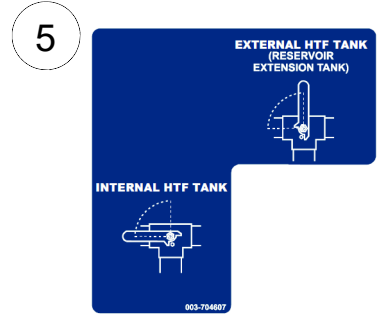
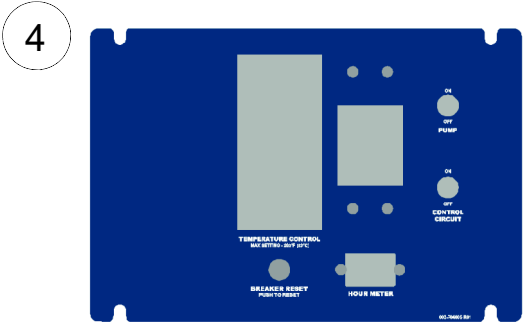
HESF1000
Steam Plate Heat Exchanger
Hose Routings

S/N: 1390-01 -
S/N: Current
PAGE: 2.1.12

Item No.	Part No.	Description	Qty.
1	013-702635	HOSE 3/4 RED	26in
2	013-702635	HOSE 3/4 RED	41in
3	013-704064	HOSE 1-1/2ID SUCTION WIRE HELIX	24in
4	013-702635	HOSE 3/4 RED	22in
5	013-704064	HOSE 1-1/2ID SUCTION WIRE HELIX	19in
6	013-704444	HOSE 1/4 RED	48 in
7	013-704064	HOSE 1-1/2ID SUCTION WIRE HELIX	22-1/2in
8	013-702635	HOSE 3/4 RED	34in
9	013-702634	HOSE 1/2 RED	21in



NOTE
GLYCOL TANK
SELECTOR VALVE AND
OPERATOR'S MANUALS
ARE LOCATED BEHIND
THIS SHIELD



Item No.	Part No.	Description	Qty.
1	003-704610	DECAL ELEC SCHEM HESF-1000	1
2A	003-700732	DECAL DRYAIR 16X2.68 05 BLUE VINYL R1	1
2B	003-906401	DECAL DRYAIR 16X2.48	1
3	003-704608	DECAL HTF VLV LOCATION HESF-1000	1
4	003-704605	DECAL CONT PNL HESF-1000	1
5	003-704607	DECAL 2-WAY VLV HESF-1000	1
6	003-704604	DECAL GAUGE PNL HESF-1000	1
7	003-704606	DECAL HTF LEVEL HESF-1000	1
8	003-704448	DECAL TERM STRP 1-7 HESF-1000	1
9	003-704447	DECAL TERM STRP 1-3 HESF-1000	1



HESF1000 Steam Plate Heat Exchanger Decals

S/N: 1390-01 -
S/N: Current
PAGE: 3.1.2



Item No.	Part No.	Description	Qty.
1	003-704600	DECAL STEAM CONN SPLY HESF-1000	1
2	003-704601	DECAL STEAM CONN RTN HESF-1000	1
3	003-704602	DECAL HTF CONN SPLY HESF-1000	1
4	003-704603	DECAL HTF CONN RTN HESF-1000	1
5	003-704611	DECAL ELEC 4-WIRE HESF-1000	1
6	003-903397	DECAL EXT CORD USE	1
7	003-704609	DECAL EXT RSVR HOOK-UP HESF-1000	1
8	003-704446	DECAL HNDL NOT TO BE USED HESF-1000	1
9	003-903355	DECAL WARNING EXT CORD SHOCK	1
10	003-704445	DECAL GRND CONN HESF-1000 (OBS: USE 003-906823)	1
11	003-906752	DECAL QR OP MAN HESF STEAM	1



HESF1000 Steam Plate Heat Exchanger
S/N: 1575-01 - Current

Part No. 023-905860
Rev. 01 05-10-2023