



Heat

Dry

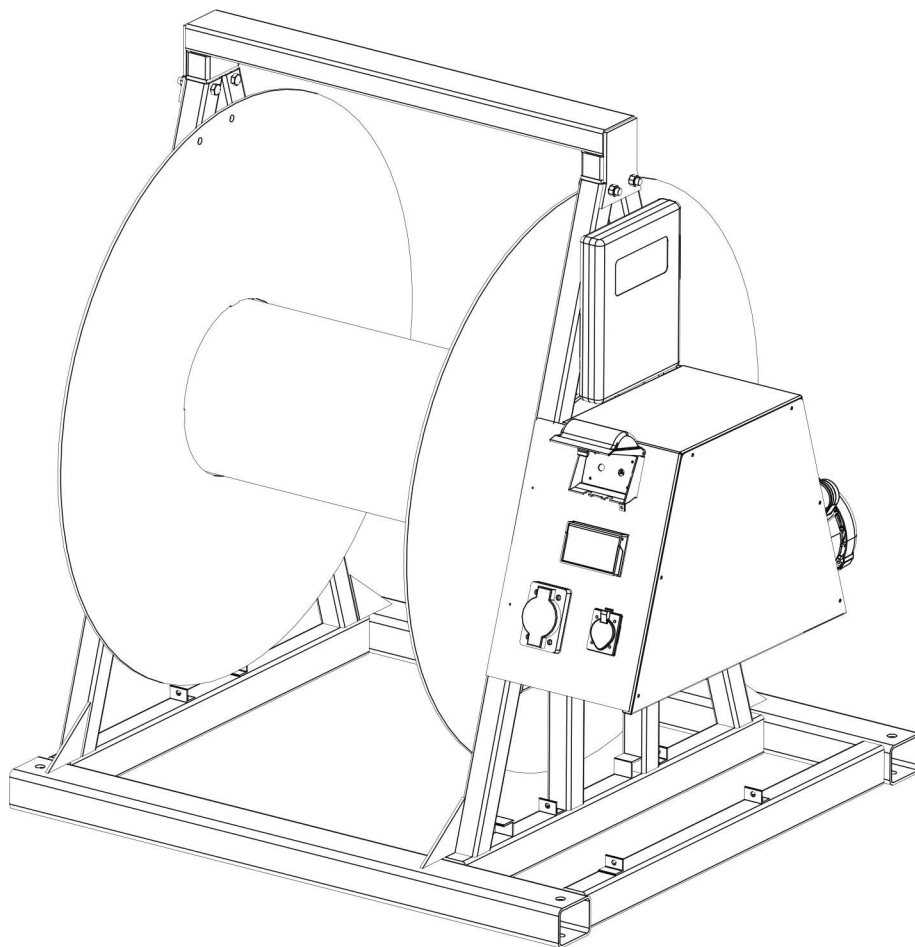
Thaw

Cure

# PARTS CATALOGUE

## Hose Reel

### HR2250



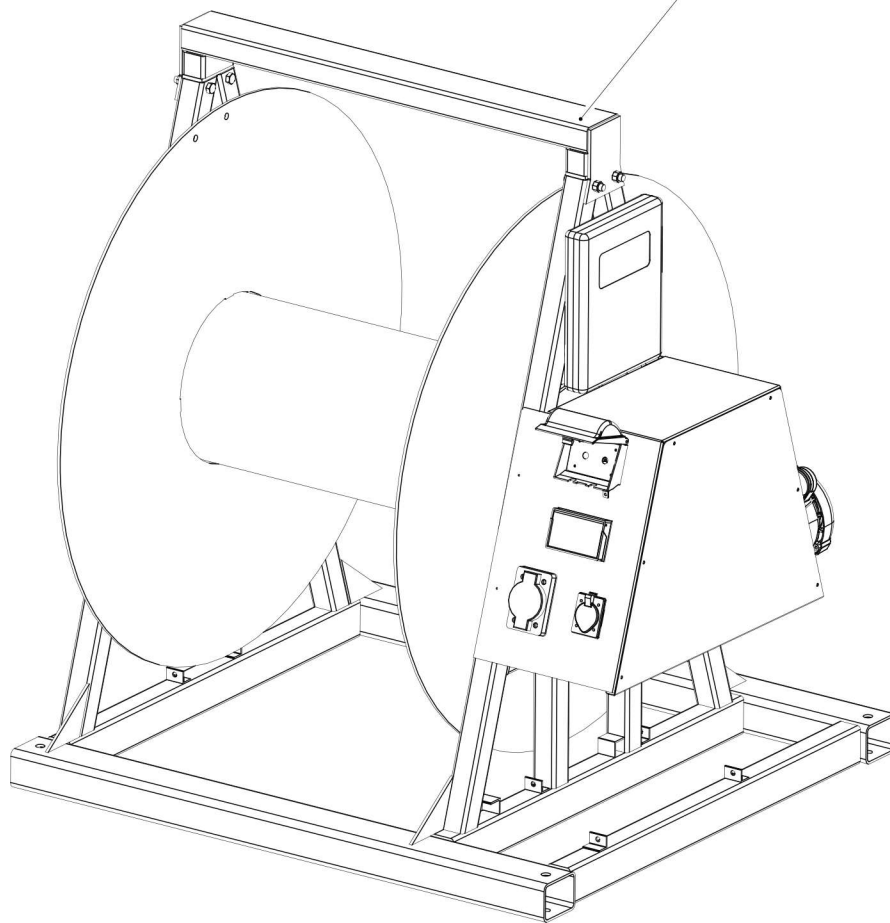
**DRYAIR MANUFACTURING CORP.**  
PO BOX 126, 400 SERVICE ROAD  
ST. BRIEUX, SK S0K 3V0  
CANADA  
[www.dryair.ca](http://www.dryair.ca)

Tel: 1 (306) 275-4848  
Toll-Free: 1 (888) 750-1700  
Fax: 1 (306) 275-4664  
Email: [parts@dryair.ca](mailto:parts@dryair.ca)



# Hose Reel HR2250 Serial Number Location

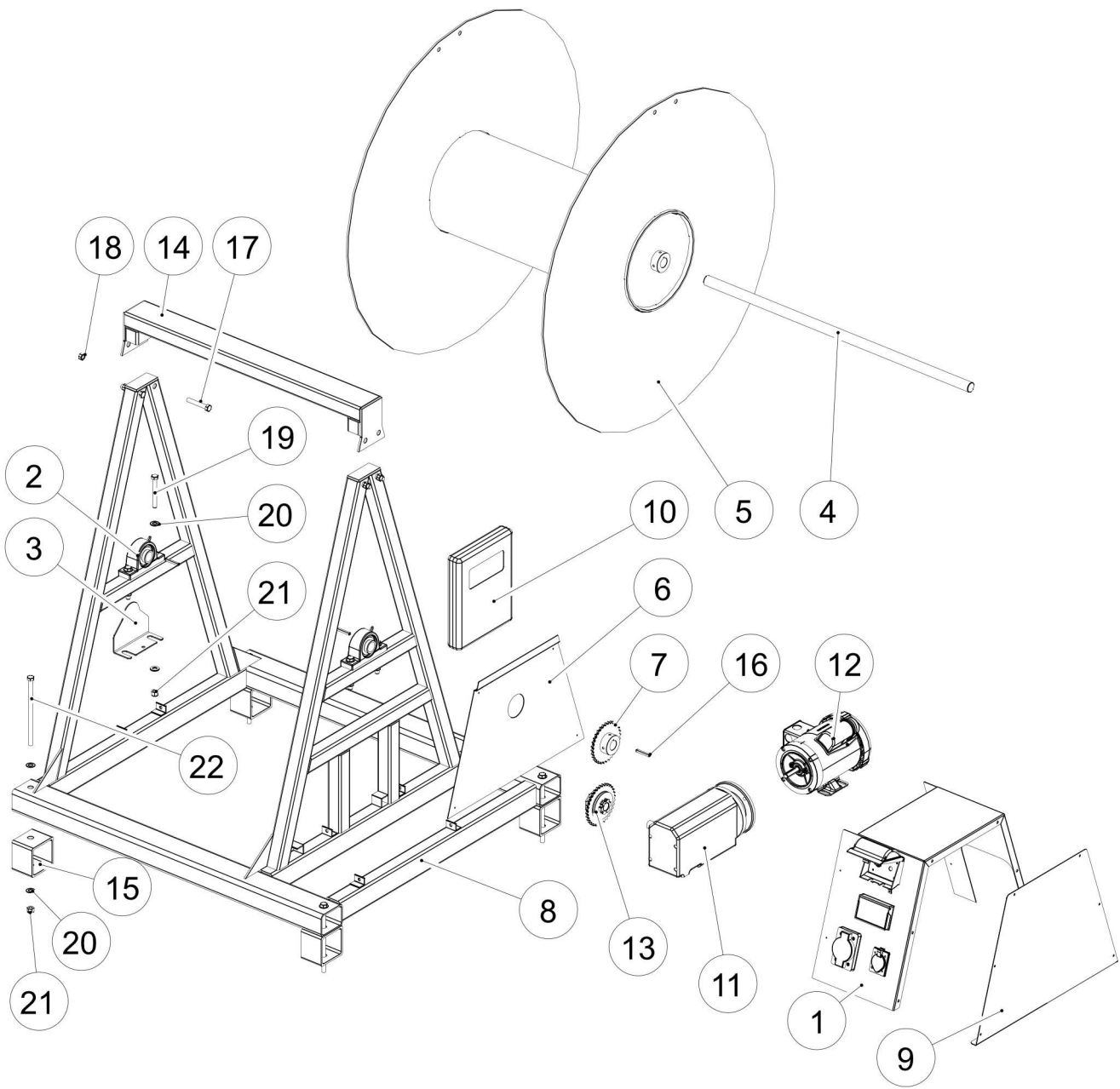
	P.O. Box 125 400 Service Road St. Bréas, SK Canada S0K 3V0
MADE IN CANADA/FABRIQUÉ EN CANADA	
Model - Modèle:	
Reference - Référence:	
Production Schedule: Calendrier de Production:	
003-70094-R05	





**Hose Reel  
HR2250  
Table of Contents**

Hose Reel Components ..... 1.1.1  
Shield .....2.1.1  
Drive .....3.1.1  
Foot Pedal .....4.1.1  
Decals .....5.1.1

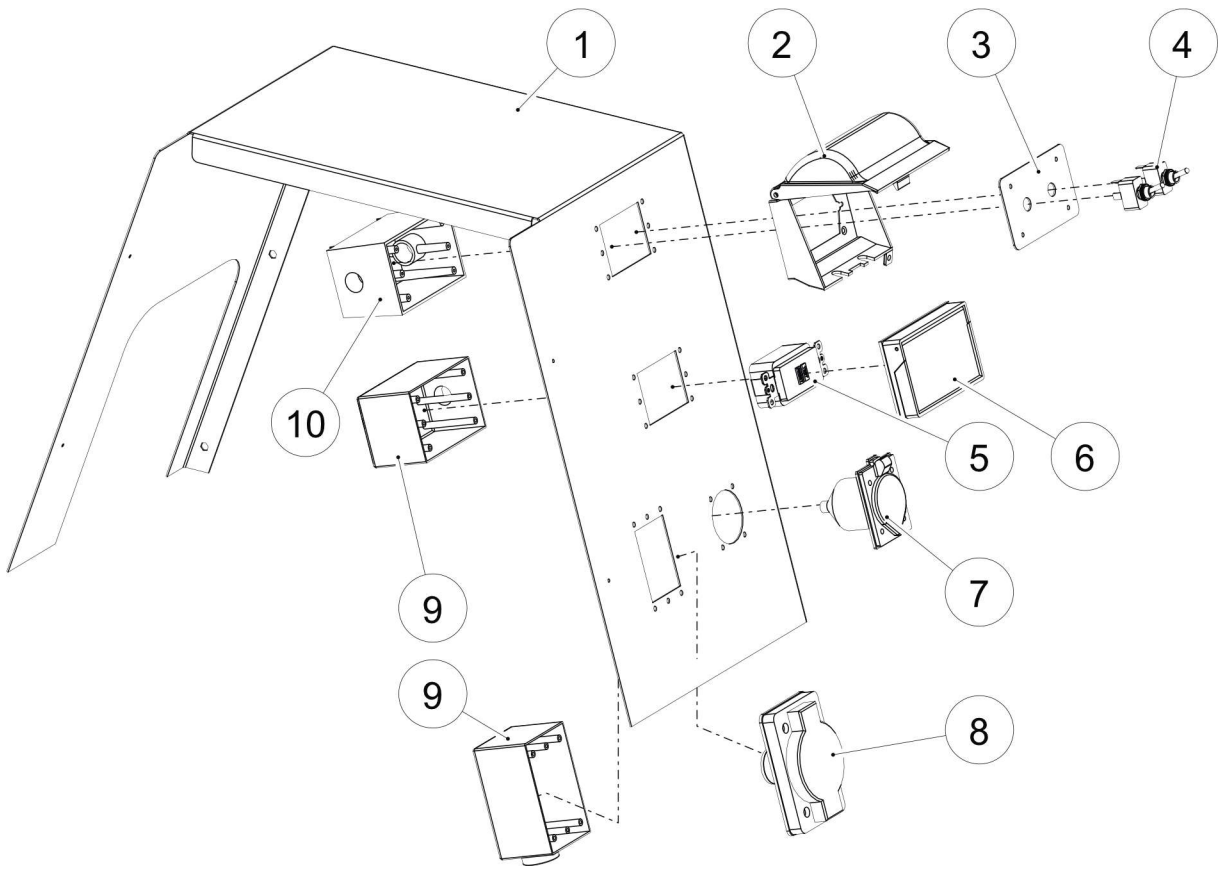




**Hose Reel  
HR2250  
Hose Reel**

S/N: 1192-01 -  
S/N: Current  
PAGE: 1.1.2

Item No.	Part No.	Description	Qty.
1		MAIN SHIELD - see page 2.1.1	
2	017-703610	BRG PLBLK 1-1/4 DUCTILE HSG	2
3	004-703607	SHLD SHAFT/BRG MOD 2250-HR	1
4	004-703609	SHAFT CR 1-1/4X41L MOD 2250-HR	1
5	004-703603	SPOOL HOSE REEL MOD 2250-HR	1
6	004-703606	SHLD REAR MOD 2250-HR R03	1
7	004-703572	SPRKT 36T #40 CHAIN 1-1/4 WELD-ON HUB	1
8	004-900622	FRAME HOSE REEL 2250-HR GTS	1
9	004-703605	SHLD FRT ACS MOD 2250-HR	1
10	016-702616	CASE OPR MNL MANUAL-PAK	1
11	012-704788	GEARBOX HLCL WORM 102:1 RT ANG 2.5IN L SHAFT	1
12	012-703488	MOTOR ELEC 3/4HP 115/208-230V 1725RPM TEFC	1
13	012-703570	TRQ LMTR ASSY 1 SHAFT DBL SPR 60-190 FTLB	1
14	004-900625	FRAME TOP MOD 2250-HR GTS	1
15	004-900491	TBG 4X4X.188W 3-1/8L C/W HOLE	4
16	004-703614	KEY 1/4X1/4 2L	3
17	001-700476	BOLT 1/2X3 PLD GR5	4
18	001-700953	NUT 1/2 PLD	4
19	001-702159	BOLT 1/2X3-3/4 UNC PLD	4
20	001-700110	WSHR FLT 1/2 SAE PLD	16
21	001-701606	NUT LKG NYL 1/2 UNC PLD	8
22	001-900743	BOLT 1/2X9 PLD GR5	4
		The following components may not be shown	
	004-703573	TBG CDSM 1-3/4ODX.243W 1/2L	2
	017-701326	CHAIN ROLLER #40	2.5FT
	017-701329	LINK OFFSET DF #40	1
	017-701592	CONNECTOR CHAIN LINK #40	1

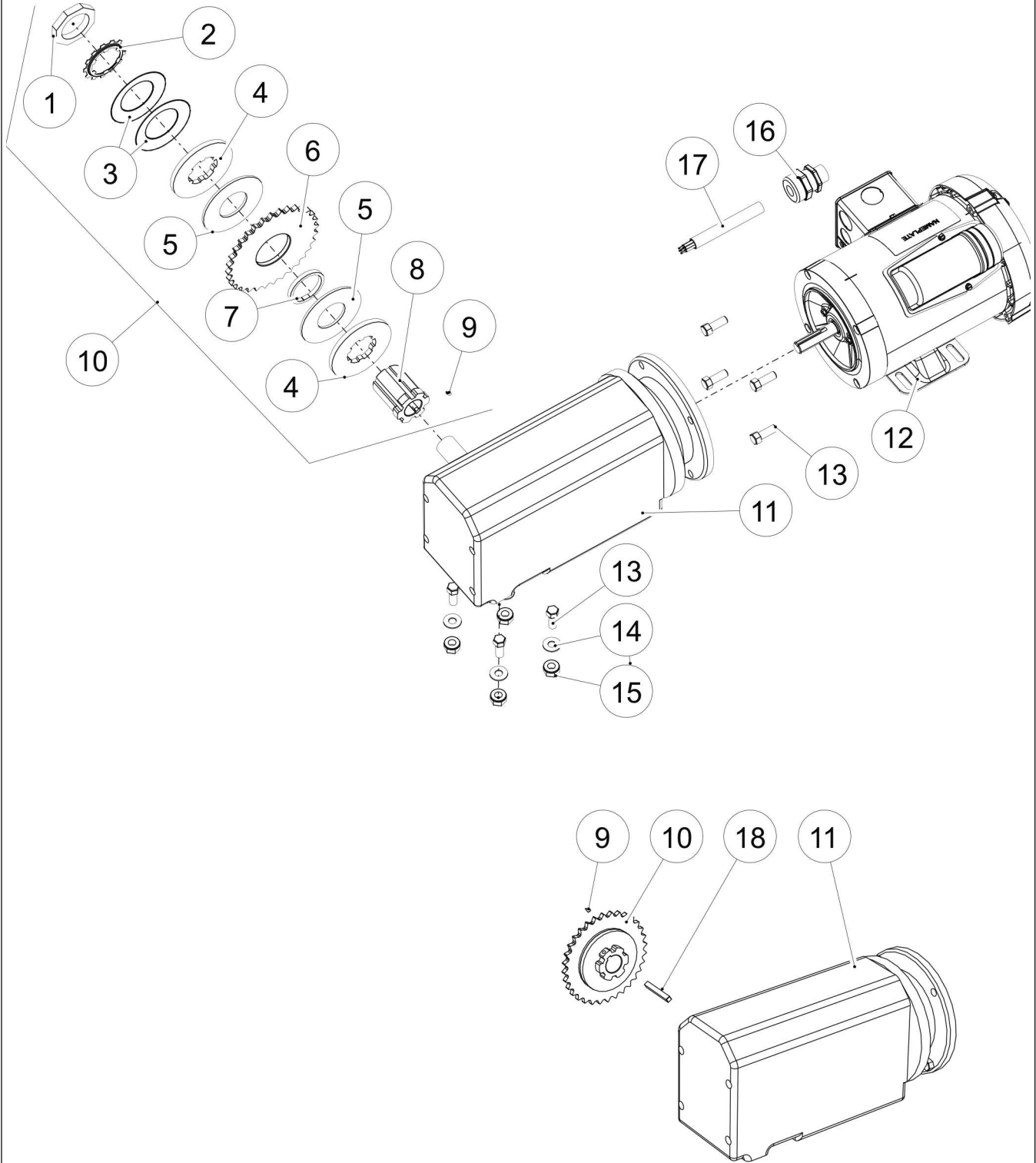




**Hose Reel  
HR2250  
Shield**

S/N: 1192-01 -  
S/N: Current  
PAGE: 2.1.2

Item No.	Part No.	Description	Qty.
1	004-703604	SHLD MAIN CONT MOD 2250-HR R02	1
2	002-703185 018-906946	COV ELEC WTHPRF HORIZ SGL GANG (OBSOLETE) PKG RETRO SW CVR HR2250 (REPLACEMENT PACKAGE)	1
3	004-703562	PLT TGL SW MNT MOD 2250-HR	1
4	002-703616	SWITCH TGL SPST 20A 125V 1/4 SPADE TERM	2
5	002-703612	GFCI BLANK FACE 20A 125V 2-POLE 3-WIRE	1
6	002-703613	COV WTHPRF GFCI HORIZ SGL GANG	1
7	002-703611	PLUG PNL MNT WTHPRF 15A 125V	1
8	002-703183	RCPT SGL LKG WTRPRF 15A 125V FL MNT W/ COV	1
9	002-703255	BOX ELEC 2IN WTHPRF DIE CAST AL 1/2IN HUB	2
10	002-703596	BOX ELEC 2-5/8IN WTHPRF DIE-CAST AL 1/2IN HUB	1
		The following components may not be shown	
	001-700093	SCRW D/T 1/4-14X3/4 3/8HEX HD PLD	4
	001-701484	SCRW MACH 10-24X3/4 PANHEAD	12
	002-703569	WSHR SEAL 1/2 ELEC CND	4
	002-700810	CONNECTOR STRN/RLF 1/2 .500-.562 CABLE RNG	3
	002-703566	CONNECTOR STRN/RLF 1/2X90DEG .500-.562 CABLE RNG	4
	002-703567	CONNECTOR STRN/RLF 1/2 .625-.750 CABLE RNG	1



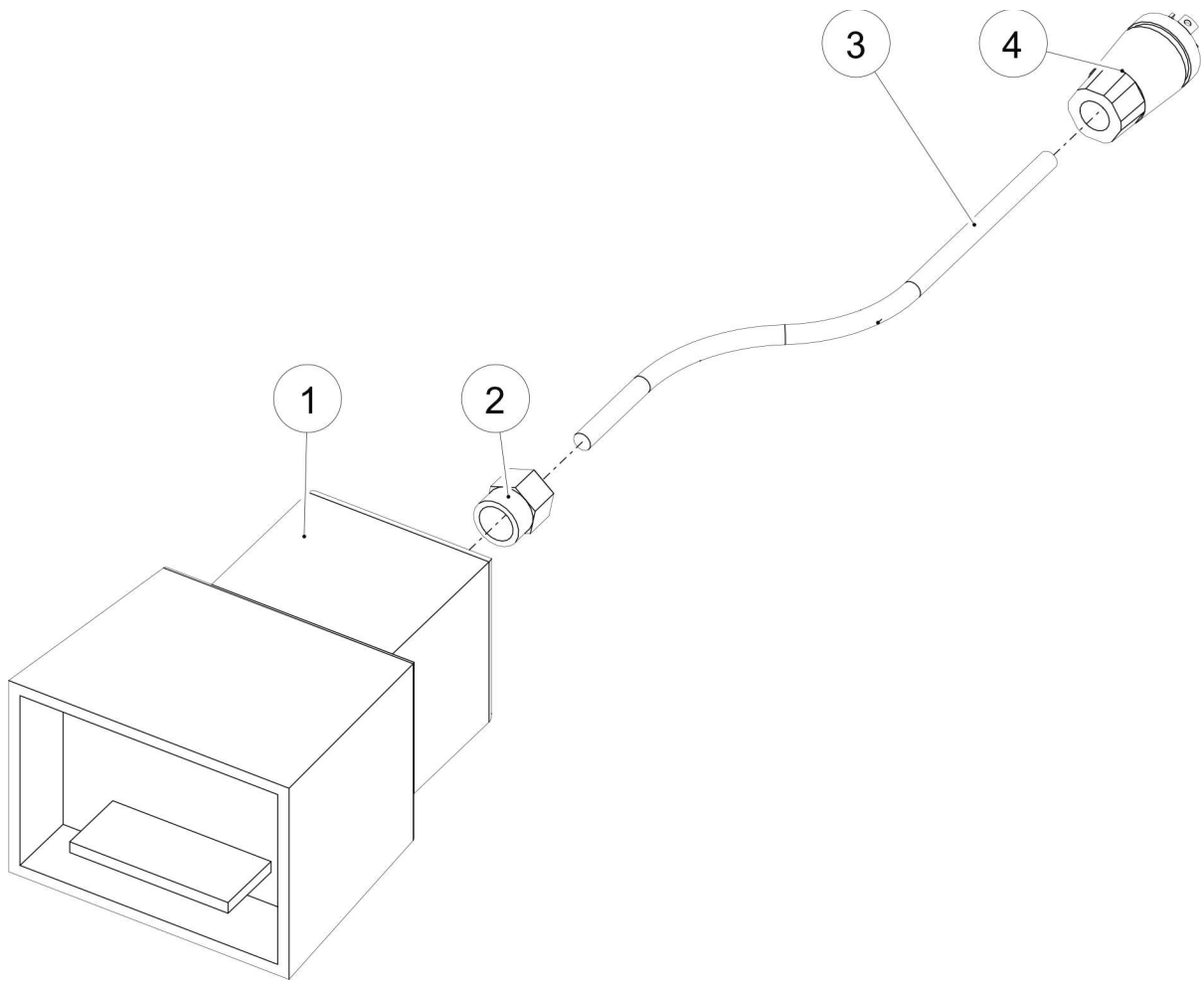




**Hose Reel  
HR2250  
Drive**

S/N: 1192-01 -  
S/N: Current  
PAGE: 3.1.2

Item No.	Part No.	Description	Qty.
1	006-702374	NUT ADJ TRQ LMTR	1
2	006-702373	WSHR LOCK TRQ LMTR	1
3	017-702168	SPR DBL TRQ LMTR 60-190	2
4	006-702375	PRESSURE PLT TRQ LMTR	2
5	006-702377	DISC SET TRQ LMTR	2
6	017-702170	SPRKT 32T #40 CHAIN - MEETS TRQ LMTR SPEC	1
7	017-702169	BSHG TRQ LMTR	1
8	006-703978	HUB 1IN TRQ LMTR	1
9	006-702378	SCRW SET 1/4-20X1/4 TRQ LMTR	1
10	012-703570	TRQ LMTR ASSY 1 SHAFT DBL SPR 60-190 FTLB	1
11	012-704788	GEARBOX HLCL WORM 102:1 RT ANG 2.5IN L SHAFT	1
12	012-703488	MOTOR ELEC 3/4HP 115/208-230V 1725RPM TEFC	1
13	001-700804	BOLT 3/8X1 PLD GR5	8
14	001-700719	WSHR FLT 3/8 PLD	4
15	001-700721	NUT LKG NYL 3/8 UNC PLD	4
16	002-703567	CONNECTOR STRN/RLF 1/2 .625-.750 CABLE RNG	1
17	002-703561	CABLE SOW14/7 NPRN CABTIRE	1
18	004-703614	KEY 1/4X1/4 2L	1
		The following components may not be shown	
	006-903226	CAPACITOR 540-648UF 110/125VAC HR2250 3/4HP MOTOR	

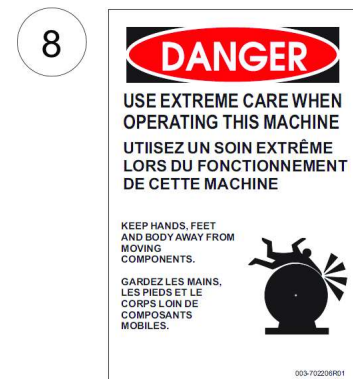
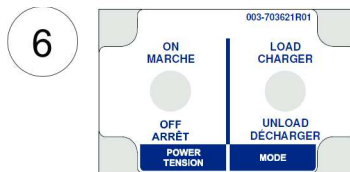
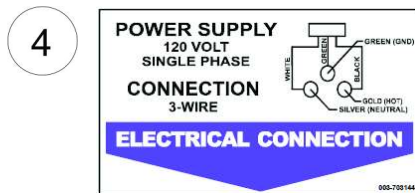
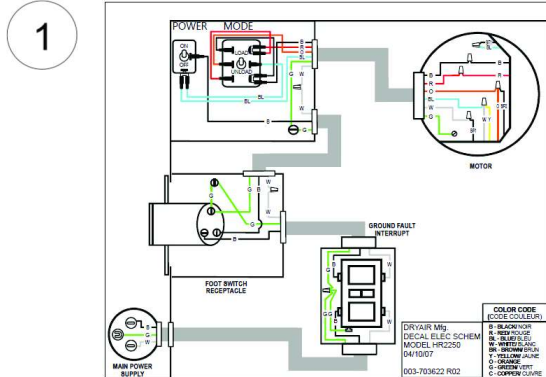




Hose Reel  
HR2250  
Foot Pedal

S/N: 1192-01 -  
S/N: Current  
PAGE: 4.1.2

Item No.	Part No.	Description	Qty.
	018-703244	PKG FOOT CONT HOSE REEL-II (Includes 1-4)	1
1	012-701568	SW FOOT MOD HR6000	1
2	002-703184	CONNECTOR STRN/RLF 3/4 .438-.562 CABLE RNG	1
3	002-700802	CABLE SOW14/3 NPRN CABTIRE	1
4	002-703182	PLUG LKG WTRPRF 15A 125V	1



Item No.	Part No.	Description	Qty.
1	003-703622	DECAL ELEC SCHEM MOD 2250-HR	1
2	003-906422	DECAL DRYAIR 12X2 NEW	1
3	003-703253	DECAL HEAT THAW CURE DRY 12 X .77	1
4	003-703144	DECAL ELEC HKP 3-WIRE	1
5	003-900787	DECAL NOT FOR DETACHED USE	1
6	003-703621	DECAL TOGGLE SW ID MOD 2250-HR	1
7	003-702207	DECAL DANGER DO NOT OPERATE	1
8	003-702206	DECAL DANGER USE EXTREME CARE	1
9	003-906754	DECAL QR OP MAN HOSE REEL	1





---

**Hose Reel HR2250**  
S/N: 1192-01 - Current

**Part No. 023-905861**  
**Rev. 01 04-13-2023**