



Heat

Dry

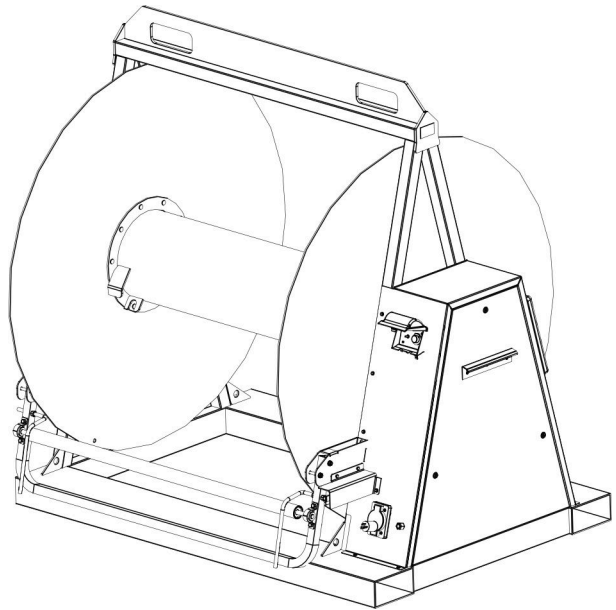
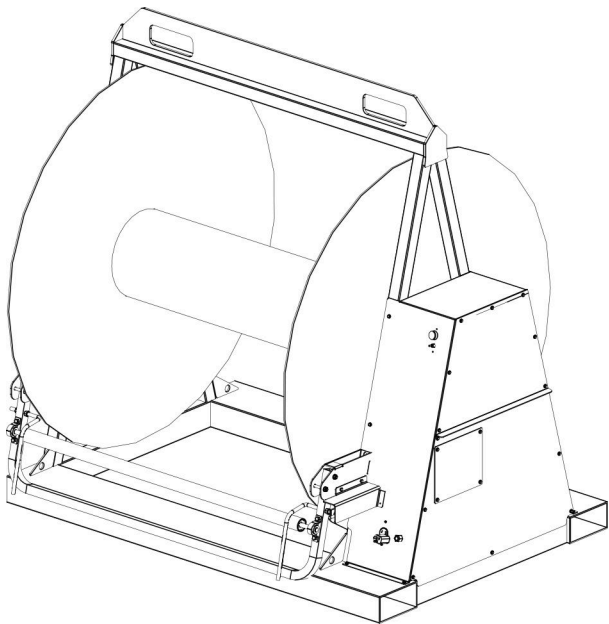
Thaw

Cure

PARTS CATALOGUE

Hose Reel

HR3000, HR6000




DRYAIR MANUFACTURING CORP.
PO BOX 126, 400 SERVICE ROAD
ST. BRIEUX, SK S0K 3V0
CANADA
www.dryair.ca

Tel: 1 (306) 275-4848
Toll-Free: 1 (888) 750-1700
Fax: 1 (306) 275-4664
Email: parts@dryair.ca



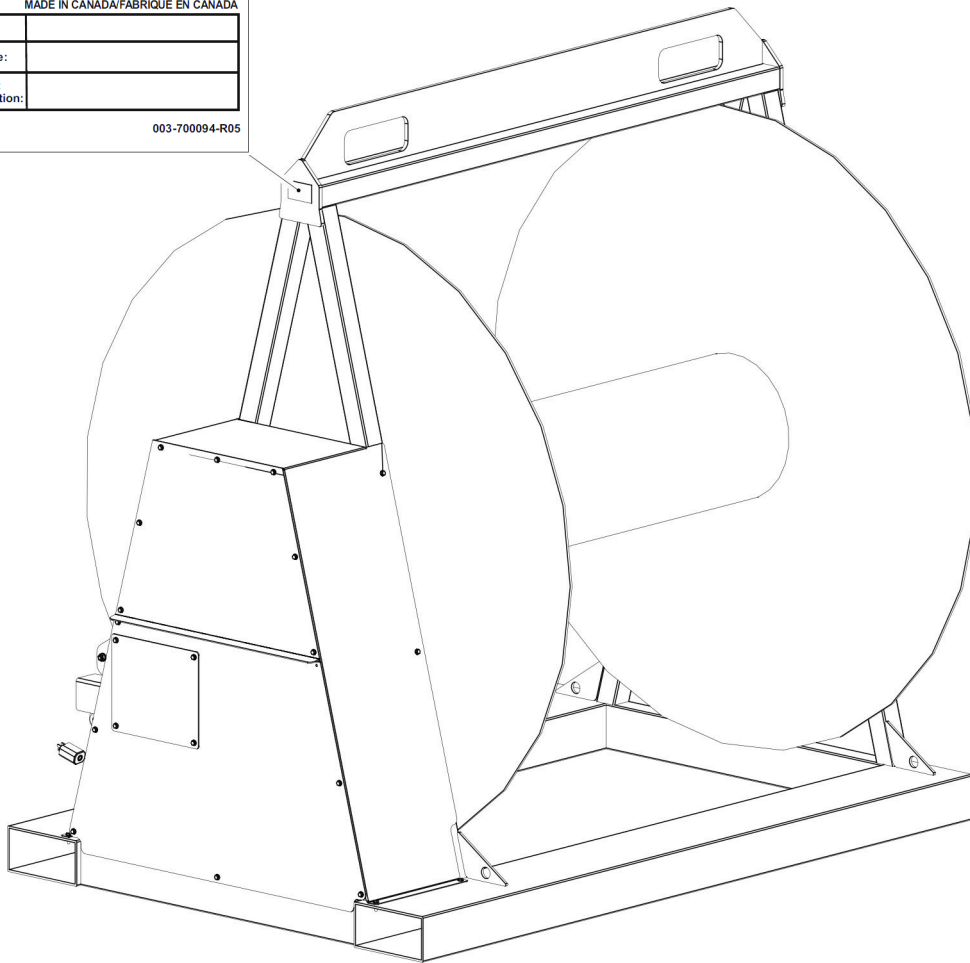
Hose Reel HR3000, HR6000 Serial Number Location

 P.O. Box 126
400 Service Road
St. Brieux, SK
Canada S0K 3V0

MADE IN CANADA/FABRIQUÉ EN CANADA

Model - Modèle:	
Reference - Référence:	
Production Schedule: Calendrier de Production:	

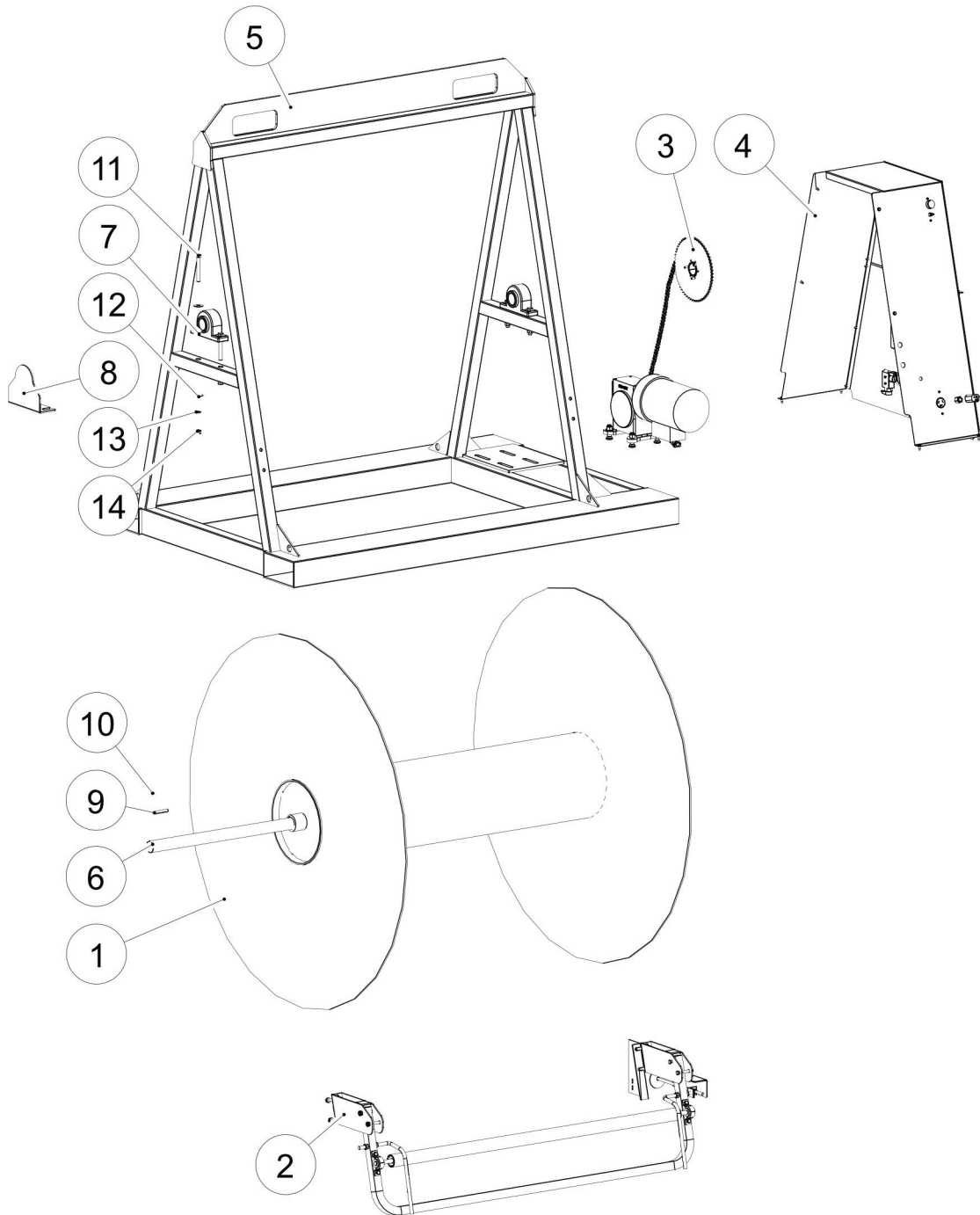
003-700094-R05





Hose Reel
HR3000, HR6000
Table of Contents

Hose Reel	1.1.1
Spool.....	2.1.1
Auto Feed.....	3.1.1
Drive.....	4.1.1
Electrical	5.1.1
Foot Pedal.....	6.1.1
Decals.....	7.1.1





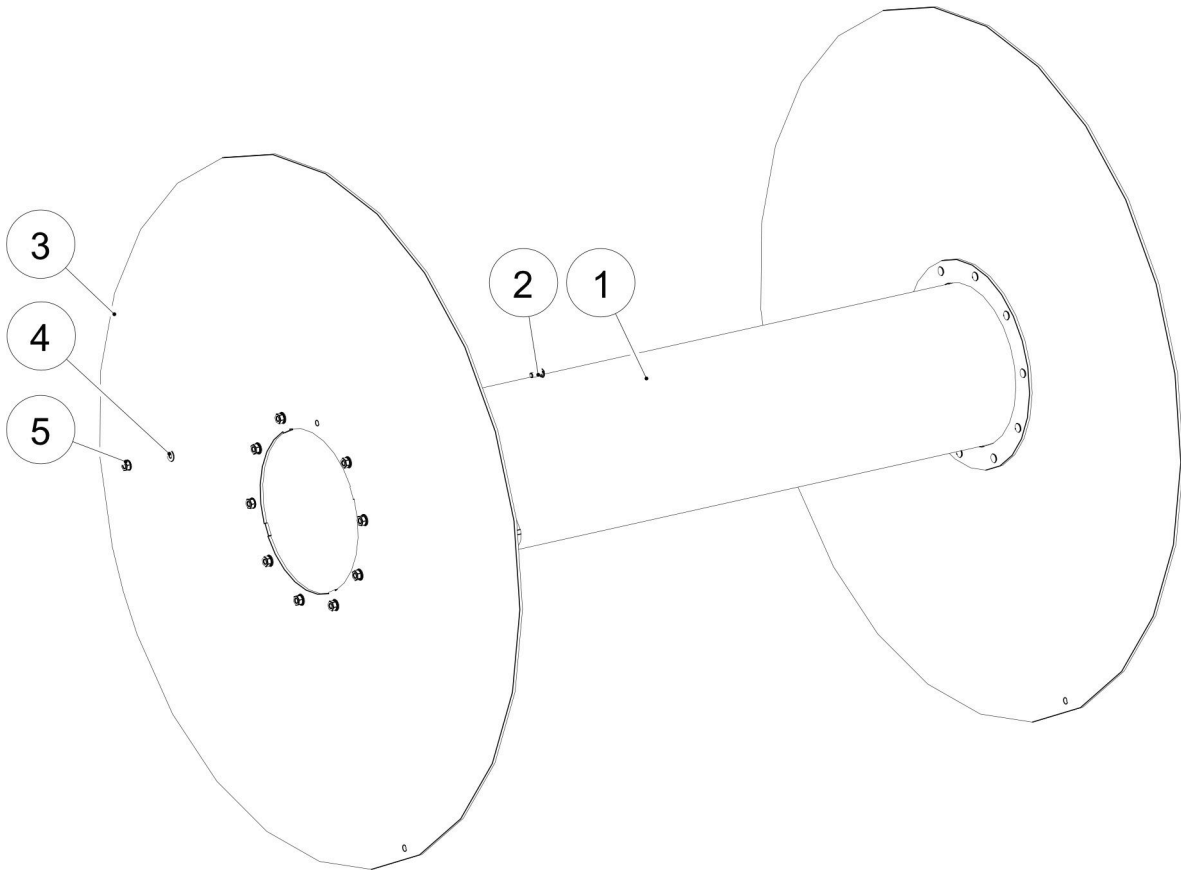
**Hose Reel
HR3000, HR6000
Hose Reel**

S/N: 1051-01 - 1472-02,

S/N: 1608-01 - 1631-02

PAGE: 1.1.2

Item No.	Part No.	Description	Qty.
1		SPOOL see page 2.1.1	
2		AUTO FEED see page 3.1.1	
3		CHAIN DRIVE see page 4.1.1	
4		ELECTRICALS see page 5.1.1	
5	018-702102	PKG BASE 60X75 HR6000 PS 1067	1
6	017-702162	SFT CR 1-3/4X67-1/2L R03	1
7	017-702151	BRG&HSG 1-3/4 TERPB220HW DUCTILE HSG	2
8	004-702123	SHLD SHFT HR6000 R01	1
9	010-702228	KEY 3/8X2-1/2L	3
10	001-701604	SCRW SET 5/16-18X5/16	4
11	001-702159	BOLT 1/2X3-3/4 UNC PLD	4
12	001-700100	WSHR FLT 1/2 PLT PLD	8
13	001-700938	WSHR LOCK 1/2 PLD	4
14	001-700953	NUT 1/2 PLD	4





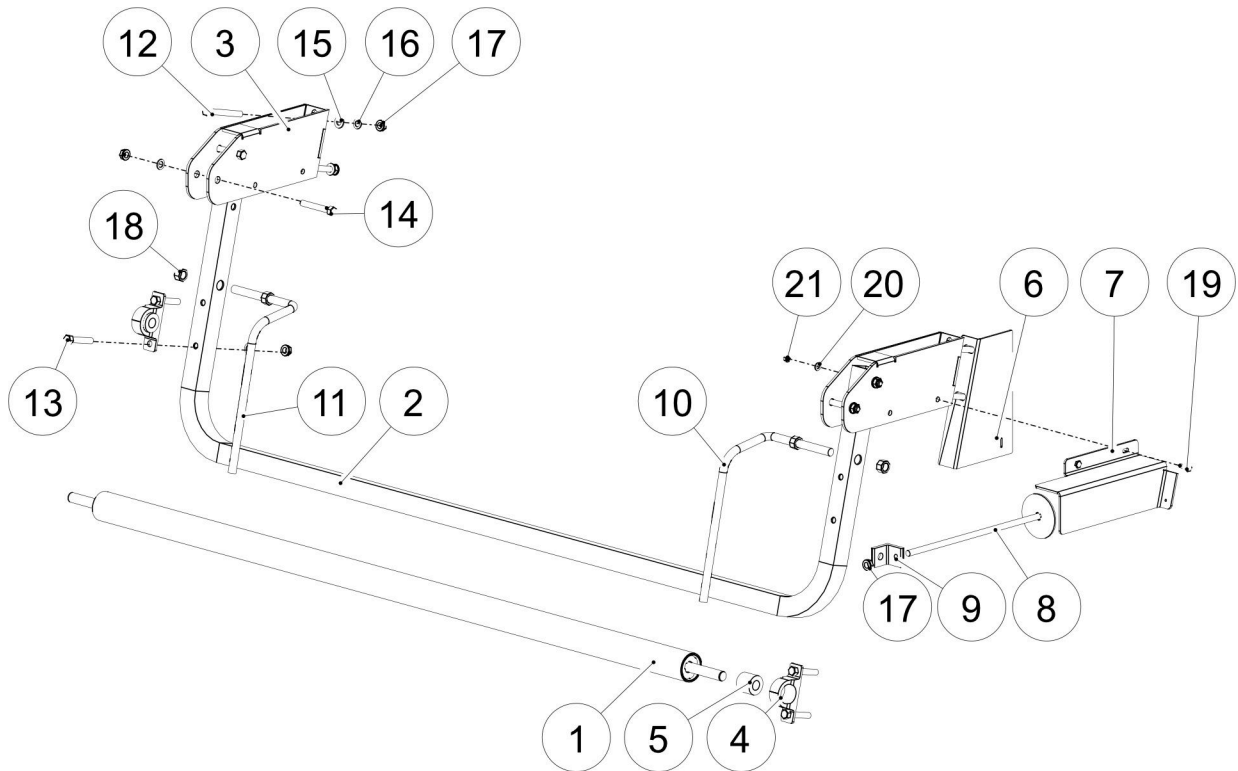
Hose Reel
HR3000, HR6000
Spool

S/N: 1051-01 - 1472-02,

S/N: 1608-01 - 1631-02

PAGE: 2.1.2

Item No.	Part No.	Description	Qty.
1	004-704087	SPOOL HR6000	1
2	001-704090	BOLT CRG 3/8-16X1 UNC PLD	20
3	004-704089	RING OUTER CW 10HOLES HR6000	2
4	001-700719	WSHR FLT 3/8 PLD	20
5	001-700721	NUT LKG NYL 3/8 UNC PLD	20
		The following components may not be shown	
	001-703365	WSHR 1.77IDX2.49ODX5/64	2
	001-703366	WSHR 1.77IDX2.49ODX1/8	2





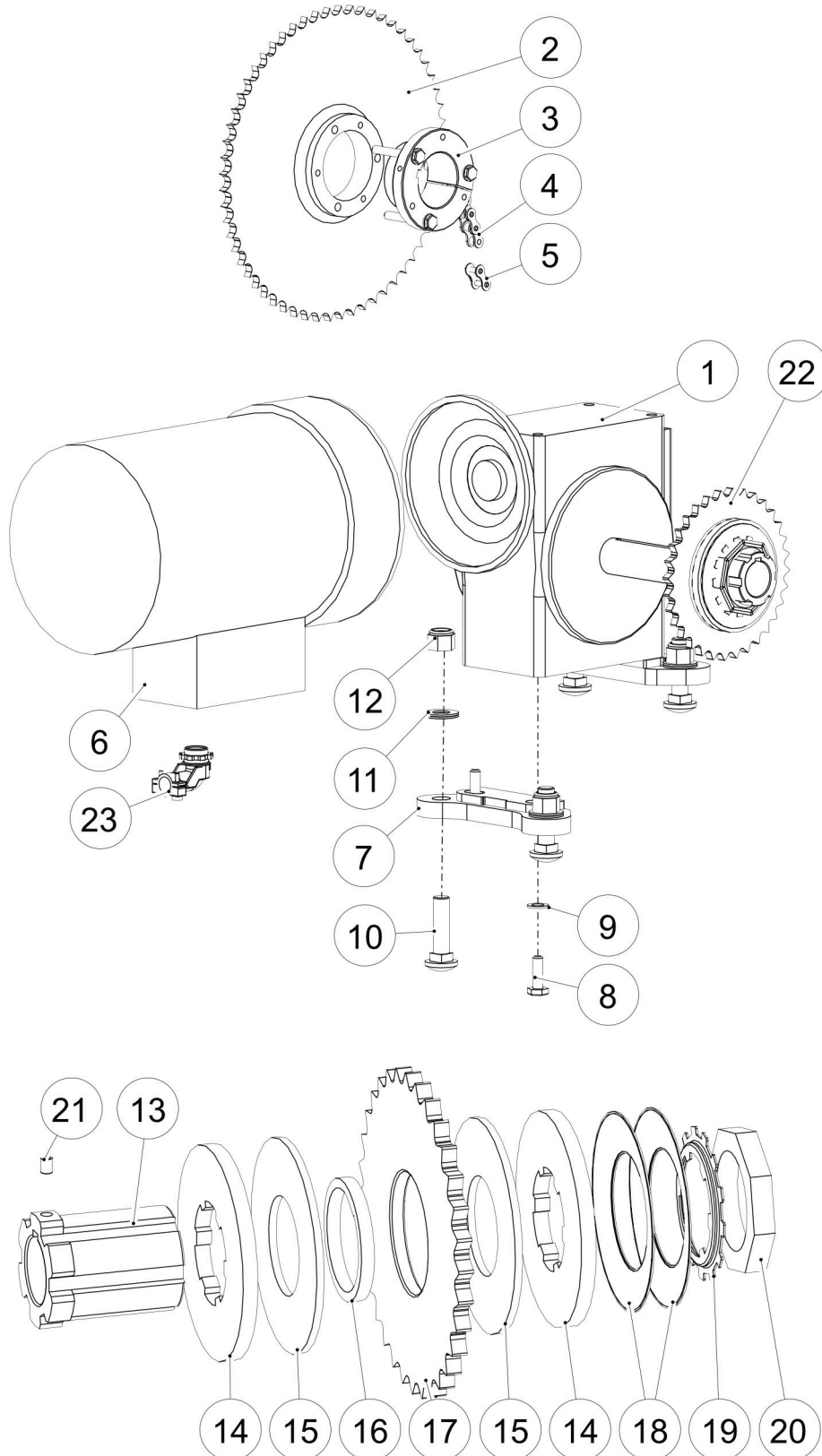
**Hose Reel
HR3000, HR6000
Auto Feed**

S/N: 1051-01 - 1472-02,

S/N: 1608-01 - 1631-02

PAGE: 3.1.2

Item No.	Part No.	Description	Qty.
1	018-702111	PKG ROLLER 51-1/2 HR AUTOFEED	1
2	004-702098	ARM RLR 16X57 HR AUTO FEED R03	1
3	010-702082	BRKT RLR ARM HR	2
4	017-702189	MT BRG 2BLT B MT	2
5	017-702195	BRG 5/8 W LK CLR	2
6	004-702079	BRKT SW HR AUTO FEED (SN 1051-01 - 1116-15)	1
7	004-702090	SHLD HR AUTO FEED R01	1
8	010-702076	PLUNGER HR AUTOFEED R01	1
9	010-702086	BRKT PLUNGER HR AUTOFEED	1
10	004-702124	GD R HR AUTO FEED	1
11	004-702125	GD L HR AUTO FEED	1
12	001-700887	BOLT 3/8X3 PLD GR5	4
13	001-701498	BOLT 3/8X2 PLD	4
14	001-700726	BOLT 3/8X2-1/2 PLD GR5	4
15	001-700719	WSHR FLT 3/8 PLD	4
16	001-700936	WSHR LOCK 3/8 PLD	6
17	001-700890	NUT 3/8 PLD	14
18	001-700953	NUT 1/2 PLD	4
19	001-701482	BOLT 1/4X3/4 PLD GR5	2
20	001-700934	WSHR LOCK 1/4 PLD	2
21	001-700888	NUT 1/4 PLD	2





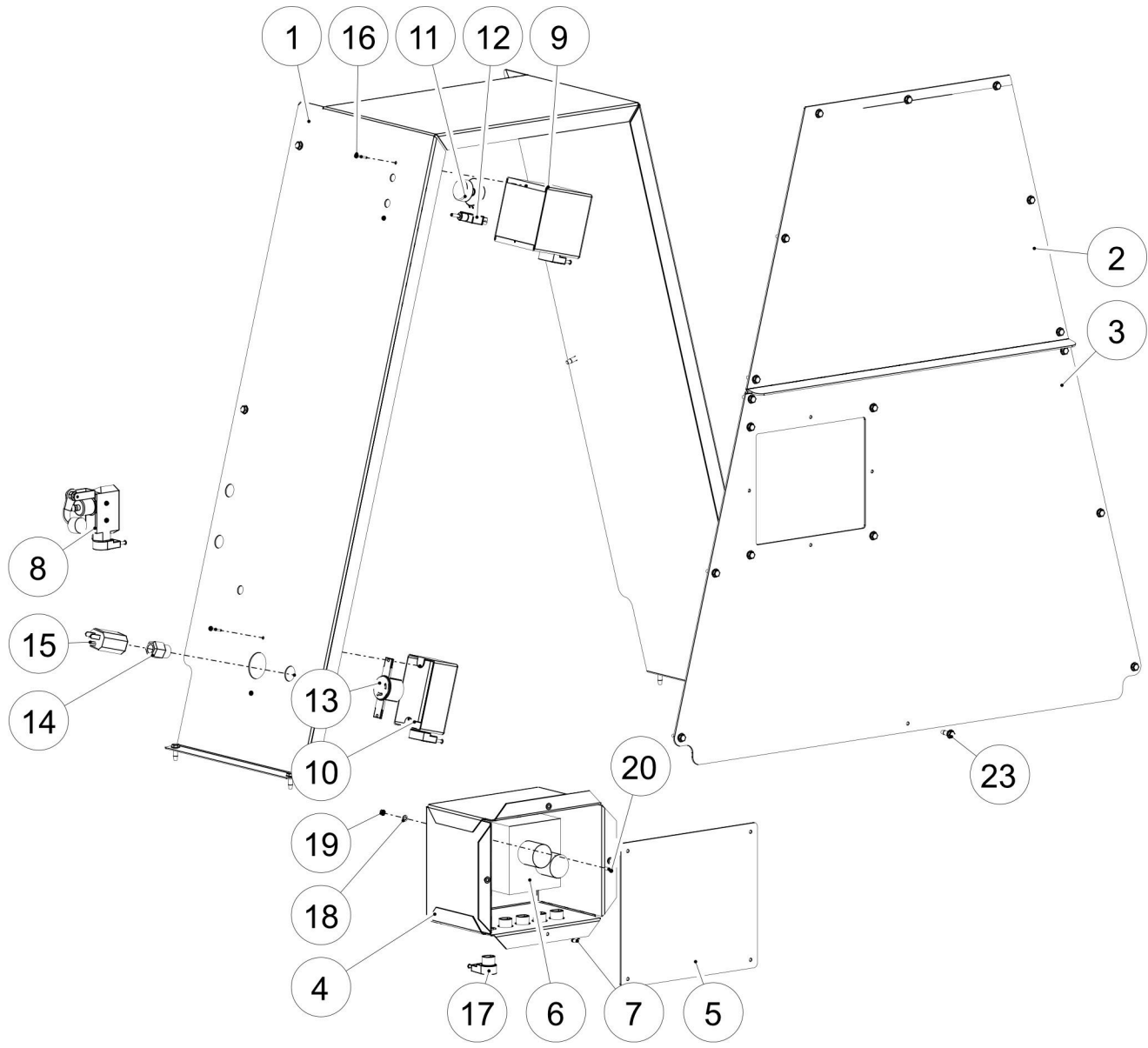
Hose Reel HR3000, HR6000 Drive

S/N: 1051-01 - 1472-02,

S/N: 1608-01 - 1631-02

PAGE: 4.1.2

Item No.	Part No.	Description	Qty.
1	012-702284	GEARBOX 60:1 SFT R MOD C HUB CITY	1
2A	017-702165	SPRKT TER 40SDS60 (SN: 1051-01 - 1116-15)	1
2B	012-703235	SPRKT TER 40SDS54 (SN:1145-01 - 1472-02, 1608-01 - 1631-02)	1
3	017-702173	HUB TER SDS 1-3/4	1
4	010-701685	CHAIN #40 71L	1
5	017-701592	CONNECTOR CHAIN LINK #40	1
6	012-701544	MOTOR ELEC 1HP 1725 3PH 220V TEFC	1
7	010-702281	BRKT MNT UNIV GR BOX	2
8	001-700804	BOLT 3/8X1 PLD GR5	4
9	001-700936	WSHR LOCK 3/8 PLD	4
10	001-702157	BOLT CRG 1/2X2 UNC PLD	4
11	001-700110	WSHR FLT 1/2 SAE PLD	4
12	001-701606	NUT LKG NYL 1/2 UNC PLD	4
13	006-702376	HUB 1-1/8IN TRQ LMTR	1
14	006-702375	PRESSURE PLT TRQ LMTR	2
15	006-702377	DISC SET TRQ LMTR (SET CONTAINS TWO DISKS)	1
16	017-702169	BSHG TRQ LMTR	1
17	017-702170	SPRKT 32T #40 CHAIN - MEETS TRQ LMTR SPEC	1
18	017-702168	SPR DBL TRQ LMTR 60-190	2
19	006-702373	WSHR LOCK TRQ LMTR	1
20	006-702374	NUT ADJ TRQ LMTR	1
21	006-702378	SCRW SET 1/4-20X1/4 TRQ LMTR	1
22	012-702231	TRQ LMTR ASSY 1-1/8 SHAFT DBL SPR 60-190 FTLB (Includes 13-21)	1
23	002-800025	CONNECTOR 3/8 90DEG BX/FLEX	1
		The following components may not be shown	
	004-703614	KEY 1/4X1/4 2L	1

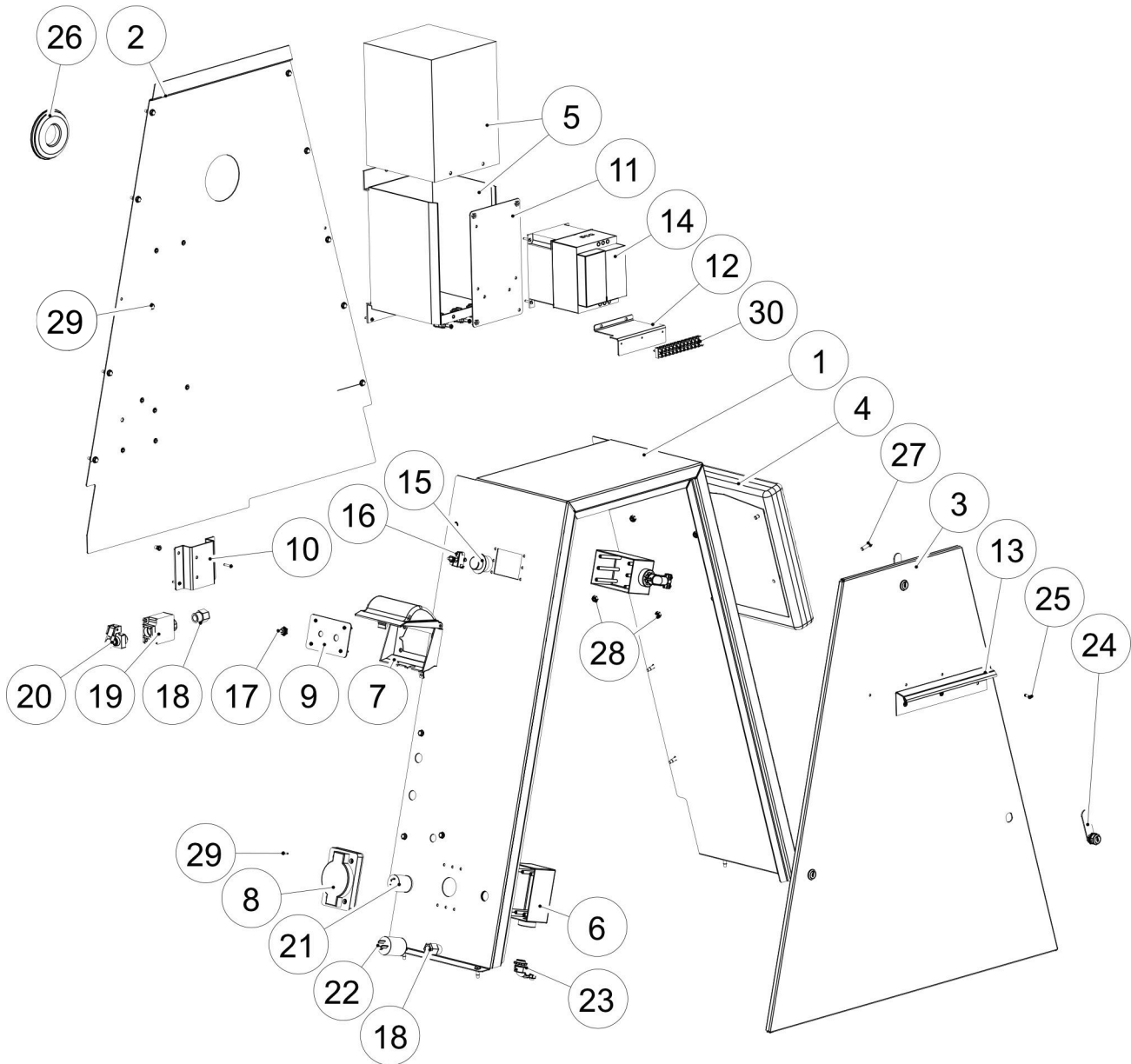




**Hose Reel
HR3000, HR6000
Electrical**

S/N: 1051-01 -
S/N: 1116-15
PAGE: 5.1.2

Item No.	Part No.	Description	Qty.
1	004-702109	SHLD BODY HR6000 R01	1
2	004-702113	SHLD UPPER HR6000	1
3	004-702112	SHLD LOWER HR6000	1
4	004-702114	BOX DRIVE HR6000	1
5	004-702115	CVR DRIVE BOX HR 6000	1
6	012-701545	DRIVE BALDOR 120V-1PH - 220V-3PH	1
7	001-700803	RIVET 5/32 GRP .3125-.375 SS	4
8	002-702089	SW MICRO BZE6-2RN2	1
9	002-701082	BOX MSNRY 2 GANG	1
10	002-800031	BOX HANDY 4X2 1/2KO	1
11	006-702384	PKG POTENTIOMETER S9111	1
12	002-702190	SW TGL DPDT ON-OFF-ON SP TERM	1
13	002-701752	RCPT 110-15A F END TWLCK	1
14	002-700810	CONNECTOR STRN/RLF 1/2 .500-.562 CABLE RNG	1
15	002-700036	PLUG CORD MALE YEL 3PR 120V	1
16	001-702272	SCRW PAN 6-32X3/4L TYPE F	4
17	002-800026	CONNECTOR 3/8 BX/MND/FLEX	8
18	001-702161	WSHR LOCK #10 PLD	4
19	001-900216	NUT 3/16	4
20	001-701608	SCRW MACH 3/16X1	4





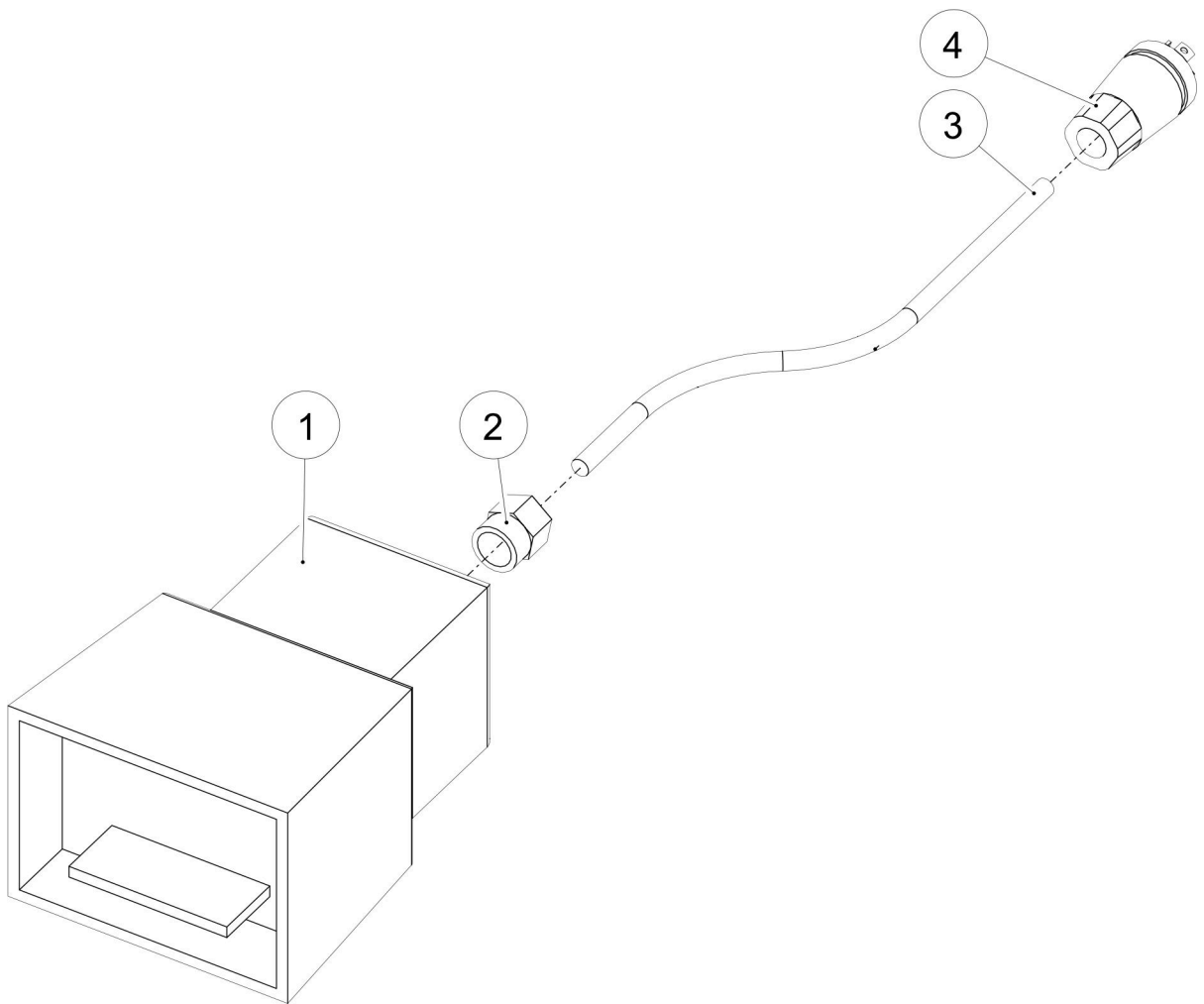
Hose Reel HR3000, HR6000 Electrical

S/N: 1145-01 - 1472-02,

S/N: 1608-01 - 1631-02

PAGE: 5.2.2

Item No.	Part No.	Description	Qty.
1	004-703684	BODY SHLD HR6000	1
2	004-703685	PNL BACK SHLD HR6000	1
3	004-703683	DOOR SHLD HR6000 CW LOCK CUTOUPS	1
4	016-702616	CASE OPR MNL MANUAL-PAK	1
5	002-703227	ENCL ELEC 10.5X7X7.5 R02	1
6	002-703255	BOX ELEC 2IN WTHPRF DIE CAST AL 1/2IN HUB	2
7	002-703185 018-906945	COV ELEC WTHPRF HORIZ SGL GANG (OBSOLETE) PKG RETRO SW CVR HR SERIES II (REPLACEMENT PACKAGE)	1
8	002-703183	RCPT SGL LKG WTRPRF 15A 125V FL MNT W/ COV	1
9	004-703241	CONT PL HR R01	1
10	004-703243	BRKT SW LIM	1
11	004-703240	PLT BACK ENCL ELEC 9.5X5.5 R02	1
12	004-703261	BRKT TERM STP HR	1
13	004-701399	HNDL MOD2000 CAB RAYPAK R01	1
14A	002-703161	DRIVE VAR SP ALTIVAR 11-AC - DISCONTINUED. ORDER 14A AND 14B (SN: 1145-01 - 1396-05)	1
14B	002-901225	DRIVE VAR SP ALTIVAR 12 (SN: 1472-01 - 1472-02, 1608-01 - 1631-02)	1
14C	018-901224	PKG ALTIVAR ATV12H075F1 CTLR (ONLY FOR SN: 114501 - 139605, CONVERSION WIRING PACKAGE FROM 14A TO 14B)	1
15	005-703224	POTENTIOMETER SLD VISHAY PE30	1
16	002-701359	SW TGL SPST 20A 125V SCRW TERM	1
17	002-702191	CVR BOOT TGL SW	1
18	002-700810	CONNECTOR STRN/RLF 1/2 .500-.562 CABLE RNG	3
19	002-703238	SW LIM BODY ZCKL1H7	1
20	002-703239	SW LIM HD RLR ZCKD23	1
21	002-703183	RCPT SGL LKG WTRPRF 15A 125V FL MNT W/ COV	1
22	002-703246	PLUG WTRPRF 15A 125V 2-POLE 3-WIRE	1
23	002-800025	CONNECTOR 3/8 90DEG BX/FLEX	2
24	001-702091	LOCK CAM 545 5/8X2-1/2 WR	3
25	001-700803	RIVET 5/32 GRP .3125-.375 SS	3
26	009-703242	GROM 2.470 X 3-3/4 RBR	1
27	001-701482	BOLT 1/4X3/4 PLD GR5	4
28	001-700042	NUT LKG NYL 1/4 UNC PLD	4
29	001-701609	SCRW MACH 6-32X1/2 RND HEAD	8
30	002-702013	TERM STRIP-12POLE	1
		The following components may not be shown	
	001-701183	SCRW MACH 8-32X3/4 RHTHD	4
	001-701511	NUT LKG NYL 8-32 UNC PLD	4
	001-701484	SCRW MACH 10-24X3/4 PANHEAD	10
	001-700805	NUT LKG 10-24 PLD	10
	002-701753	CONNECTOR L16 1/2 OBS	5





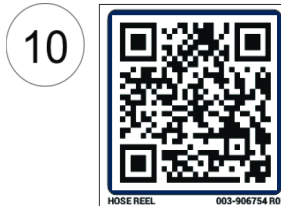
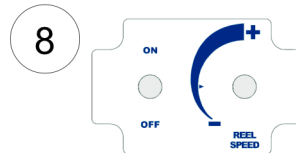
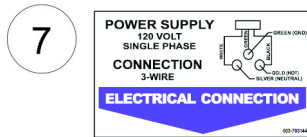
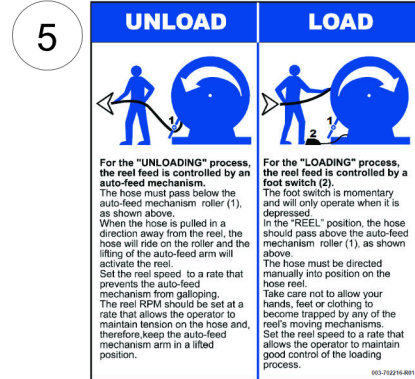
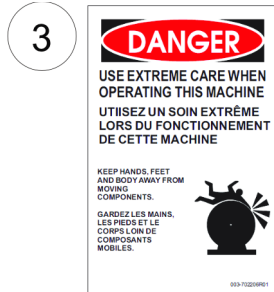
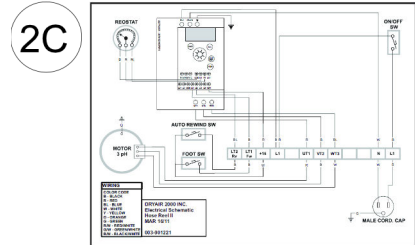
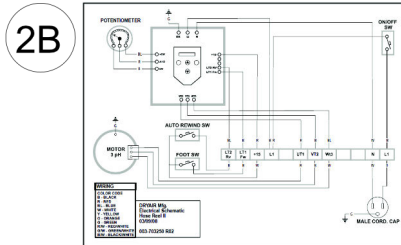
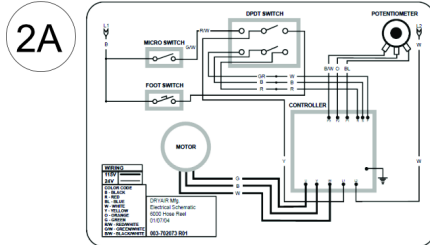
**Hose Reel
HR3000, HR6000
Foot Pedal**

S/N: 1051-01 - 1472-02,

S/N: 1608-01 - 1631-02

PAGE: 6.1.2

Item No.	Part No.	Description	Qty.
	018-703244	PKG FOOT CONT HOSE REEL-II (Includes 1-4)	1
1	012-701568	SW FOOT MOD HR6000	1
2	002-703184	CONNECTOR STRN/RLF 3/4 .438-.562 CABLE RNG	1
3	010-701712	CABLE SOW 14/3X72L	1
4	002-703182	PLUG LKG WTRPRF 15A 125V	1



Item No.	Part No.	Description	Qty.
1	003-906422	DECAL DRYAIR 12X2 NEW	1
2A	003-702073	DECAL ELEC SCHEM HOSEREEL (SN: 1051-01 - 1116-15)	1
2B	003-703250	DECAL ELEC SCHEM HR (SN: 1145-01 - 1396-05)	1
2C	003-901221	DECAL ELEC SCHEM HOSEREEL ATV12 CTRL (SN: 1472-01 - 1472-02, 1608-01 - 1631-02)	1
3	003-702206	DECAL DANGER USE EXTREME CARE	1
4	003-702207	DECAL DANGER DO NOT OPERATE	2
5	003-702216	DECAL INSTR HR6000 (SN: 1051-01 - 1116-15)	1
6	003-702648	DECAL DANGER 110V	1
7	003-703144	DECAL ELEC HKP 3-WIRE (SN: 1145-01 - 1472-02, 1608-01 - 1631-02)	1
8	003-703251	DECAL CONT PNL HR (SN: 1145-01 - 1472-02, 1608-01 - 1631-02)	1
9	003-703253	DECAL HEAT THAW CURE DRY 12 X .77 (SN: 1145-01 - 1472-02, 1608-01 - 1631-02)	1
10	003-906754	DECAL QR OP MAN HOSE REEL	1



Hose Reel HR3000, HR6000
S/N: 1051-01 - 1472-02, 1608-01 - 1631-02

Part No. 023-905864
Rev. 01 04-13-2023