



Heat

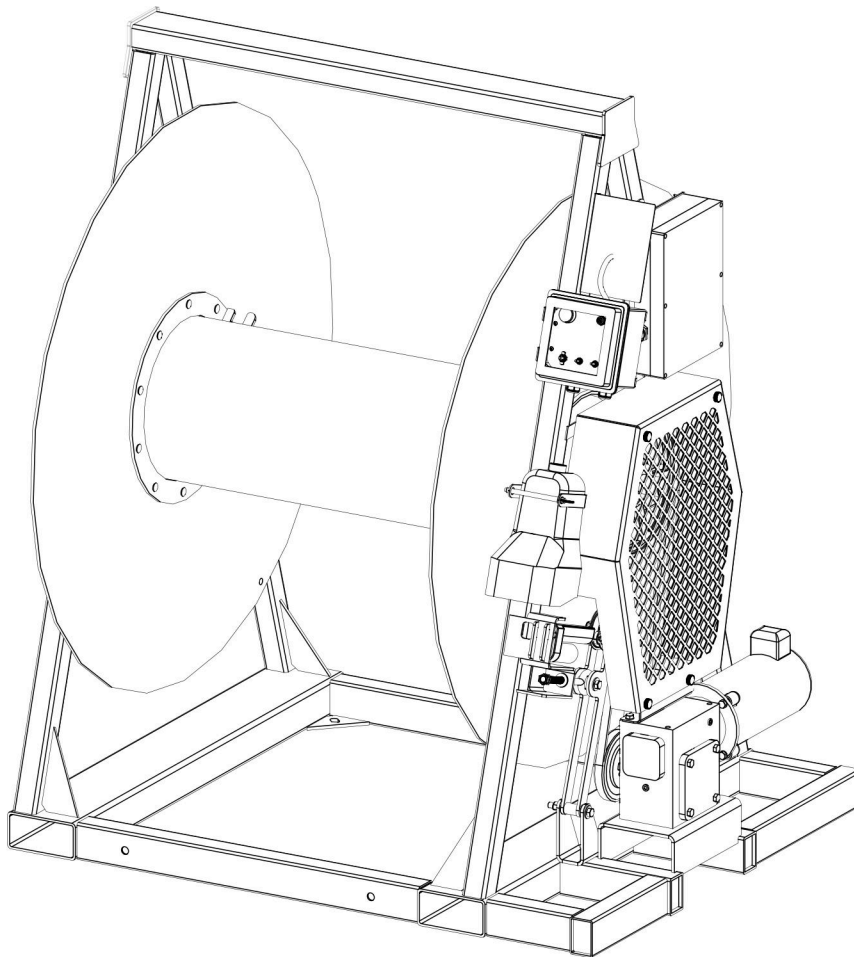
Dry

Thaw

Cure

PARTS CATALOGUE

Hose Reel
HRV5000






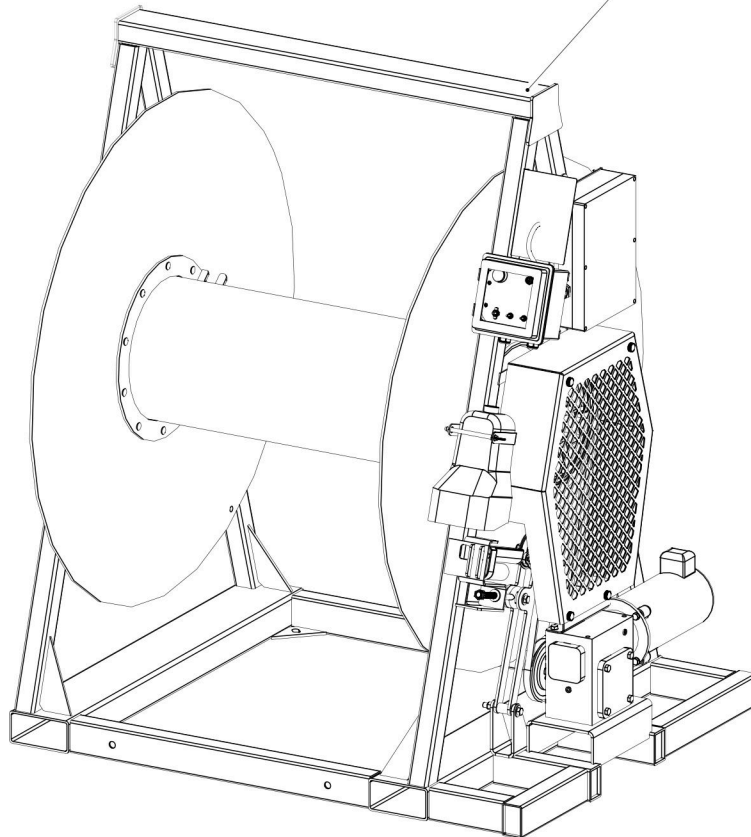
DRYAIR MANUFACTURING CORP.
PO BOX 126, 400 SERVICE ROAD
ST. BRIEUX, SK S0K 3V0
CANADA
www.dryair.ca

Tel: 1 (306) 275-4848
Toll-Free: 1 (888) 750-1700
Fax: 1 (306) 275-4664
Email: parts@dryair.ca



Hose Reel HRV5000 Serial Number Location

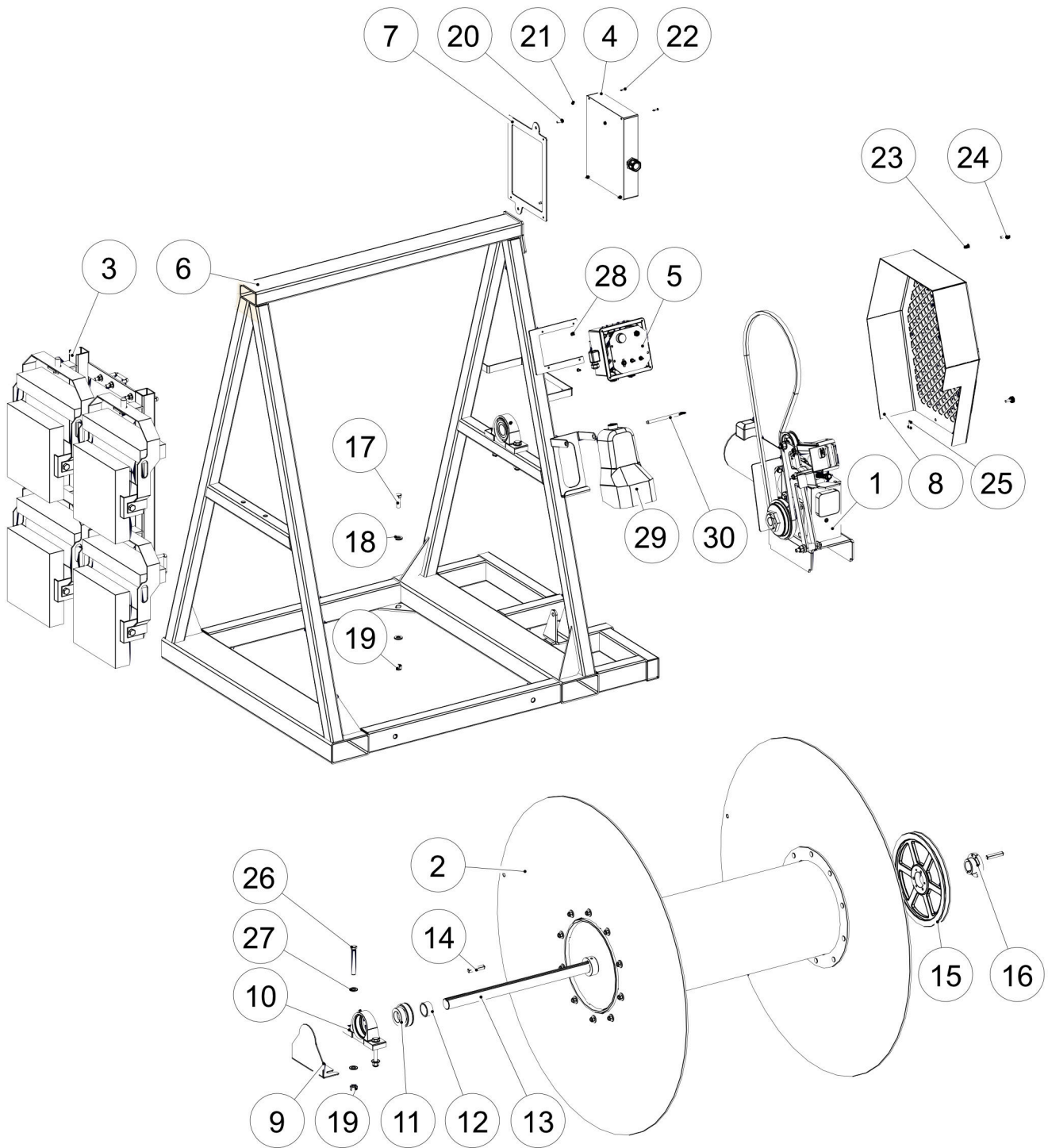
 P.O. Box 126 400 Service Road St. Simons, St. Canada S0K 3V0 	
Model - Modèle:	
Reference - Référence:	
Production Schedule: Calendrier de Production:	
Max. Ampacity-Max. Ampacité:	
 US	003-903396 R01





**Hose Reel
HRV5000
Table of Contents**

Hose Reel	1.1.1
Belt Drive	2.1.1
Spool	3.1.1
Flood Light.....	4.1.1
Control HRA	5.1.1
Switch HRA	6.1.1
Decals	7.1.1





**Hose Reel
HRV5000
Hose Reel**

S/N: 1800-01
S/N: Current
PAGE: 1.1.2

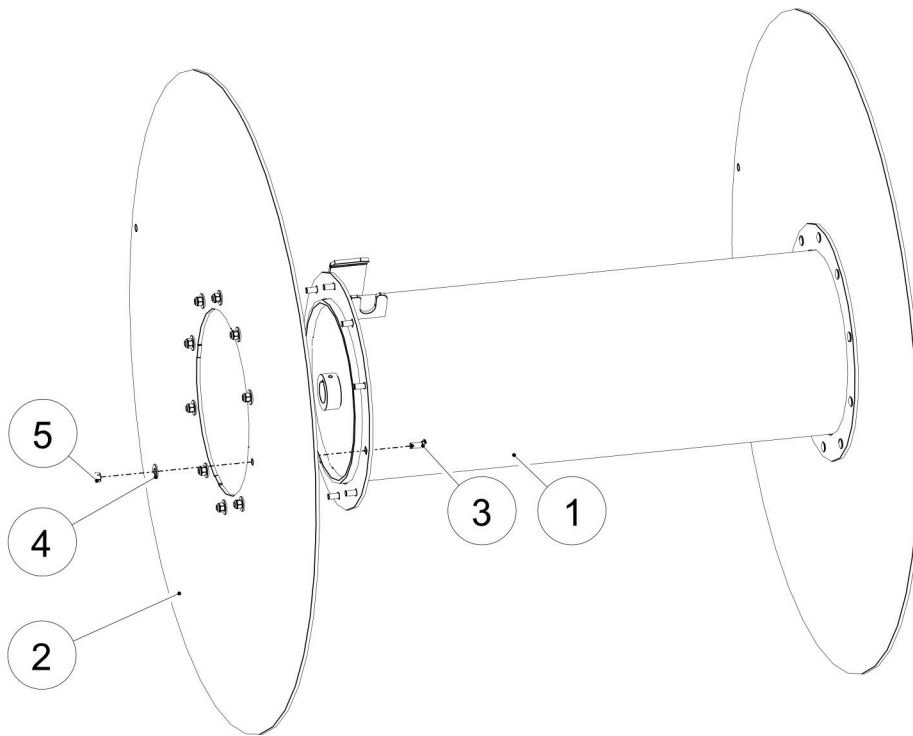
Item No.	Part No.	Description	Qty.
1		BELT DRIVE - see page 2.1.1	
2		SPOOL - see page 3.1.1	
3		FLOOD LIGHT - see page 4.1.1	
4		PKG ELEC CONT HRA - see page 5.1.1	
5		PKG SWITCH CONT HRA - see page 6.1.1	
6	004-903103	FRAME HOSE REEL HRV5000	1
7	004-902739	MNT MOTOR CNTRL HRA	1
8	004-902759	PNL BELT GUARD UPPER HRA	1
9	004-903111	SHLD SHFT HRV5000	1
10	017-902600	PLBLK TER P208 1-1/2 BRG	2
11	017-902619	BRG 1-1/2 TER 208	2
12	004-903112	CDSM 1.875OD X1.563ID .875L PNTD BLK	2
13	004-903105	SHAFT CR 1-1/2 CW KEYWAY 46-1/4L	1
14	010-702228	KEY 3/8X2-1/2L	4
15	017-904855	PULLEY SDS 12.75 OD HUB	1
16	017-902618	HUB SDS 1-1/2 3 BOLT PATTERN	1
17	001-700473	BOLT 1/2X1-1/2 PLD GR5	4
18	001-700100	WSHR FLT 1/2 PLT PLD	4
19	001-701606	NUT LKG NYL 1/2 UNC PLD	8
20	001-700093	SCRW D/T 1/4-14X3/4 3/8HEX HD PLD	2
21	001-704503	NUT LKG NYL 8-32 SS UNC	4
22	001-701183	SCRW MACH 8-32X3/4 RHTHD	4
23	001-703408	INSERT THD 1/4 UNC RND BODY .027-.165 GRP	2
24	001-902717	BOLT 1/4X7/8 UNC KNURL PLSTC HD	4
25	001-902760	NUT CLP 1/4X20	2
26	001-702159	BOLT 1/2X3-3/4 UNC PLD	4
27	001-700110	WSHR FLT 1/2 SAE PLD	8
28	001-902773	SCRW THD FMG PLSTC SS 10-14X1/2L	4
29	002-902559	SWITCH FOOT 2NO-2NC PG16F THREAD	1
30	001-902741	PIN QR 3/8X5-1/2L CW RING	1



**Hose Reel
HRV5000
Belt Drive**

S/N: 1800-01
S/N: Current
PAGE: 2.1.2

Item No.	Part No.	Description	Qty.
1	012-902555	GEARBOX HLCL WORM RTANG 60:1 56C.75HP IRONHORSE	1
2	012-902602	MOTOR DC 90V 1HP 56C	1
3	004-902738	GUARD BELT LOWER HRA	1
4	001-700434	BOLT 3/8X3/4 PLD GR5	10
5	001-700936	WSHR LOCK 3/8 PLD	10
6	017-902864	PULLEY B BELT 5.35 ODX1.90625ID	1
7	004-906426	KEY 1/4X1/4 1-1/2L	1
8	017-902565	TRQ LMTR 1-1/8 SHAFT SGL SPR 50-10 FT LB <small>(Includes 9-15)</small>	1
9	006-702378	SCRW SET 1/4-20X1/4 TRQ LMTR	1
10	012-904856	BELT B72 HRV5000	1
11	004-902743	ARM PIVOT HRA	2
12	005-902560	LINAC 3IN STROKE 150LBS 12VDC	1
13	017-902603	PULLEY B BELT 3.25 OD INT BRG FLT-IDLER	1
14	001-902566	BOLT EYE 1/2X4X1IN OPEN 8L UNC	1
15	004-902740	DOM .875OD X.500ID 1-1/8L PNTD BLK	2
16	001-700110	WSHR FLT 1/2 SAE PLD	8
17	001-703313	NUT JAM 1/2 UNC PLD	4
18	001-700475	BOLT 1/2X2-1/2 PLD GR5	1
19	001-700955	BOLT 1/4X2 PLD GR5	1
20	001-700469	BOLT 7/16X2-1/2 PLD GR5	1
21	001-700470	BOLT 7/16X3-1/2 PLD GR5	1
22	001-700956	BOLT 1/4X1-1/2 PLD GR5	1
23	001-700129	WSHR FLT 1/4 PLD	4
24	001-700719	WSHR FLT 3/8 PLD	6
25	001-701606	NUT LKG NYL 1/2 UNC PLD	1
26	001-701716	NUT LKG NYL 7/16	2
		The following components may not be shown	
	006-906553	DISC SET 1-1/8IN TRQ LMTR	





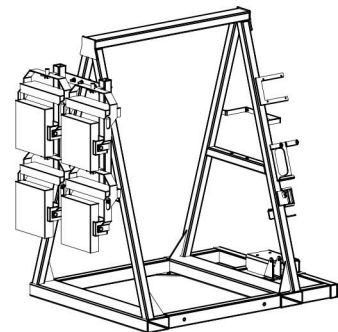
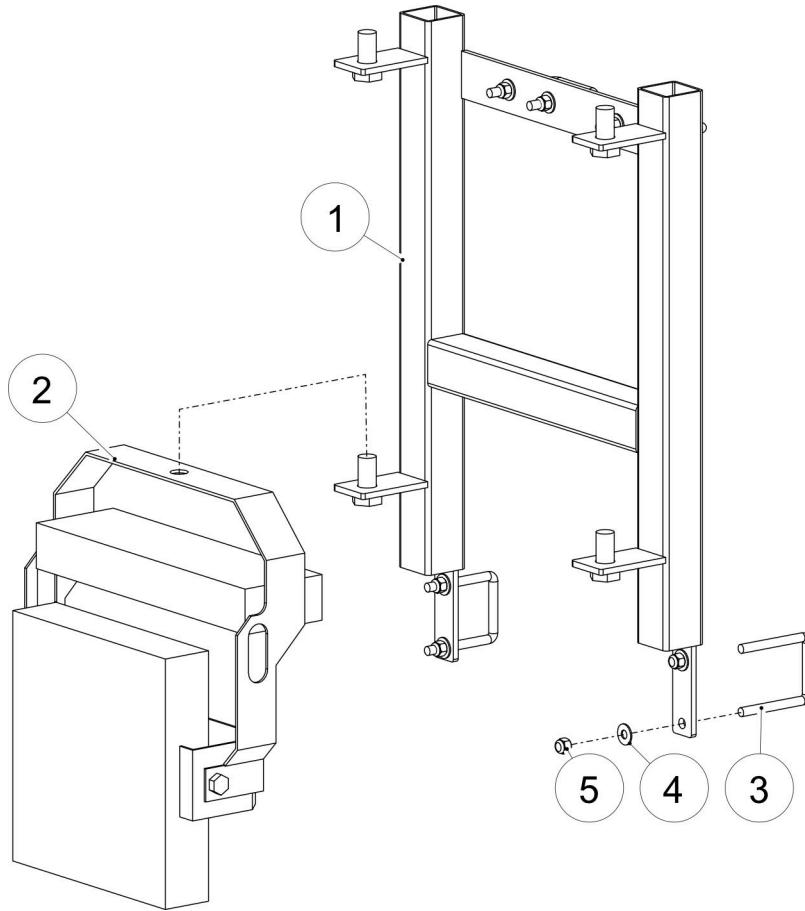
**Hose Reel
HRV5000
Spool**

S/N: 1800-01

S/N: Current

PAGE: 3.1.2

Item No.	Part No.	Description	Qty.
1	004-903104	SPOOL HOSE REEL HRV5000	1
2	004-904849	RING OUTER CW 10HOLES 46 OD	2
3	001-704090	BOLT CRG 3/8-16X1 UNC PLD	18
4	001-700719	WSHR FLT 3/8 PLD	36
5	001-700721	NUT LKG NYL 3/8 UNC PLD	18

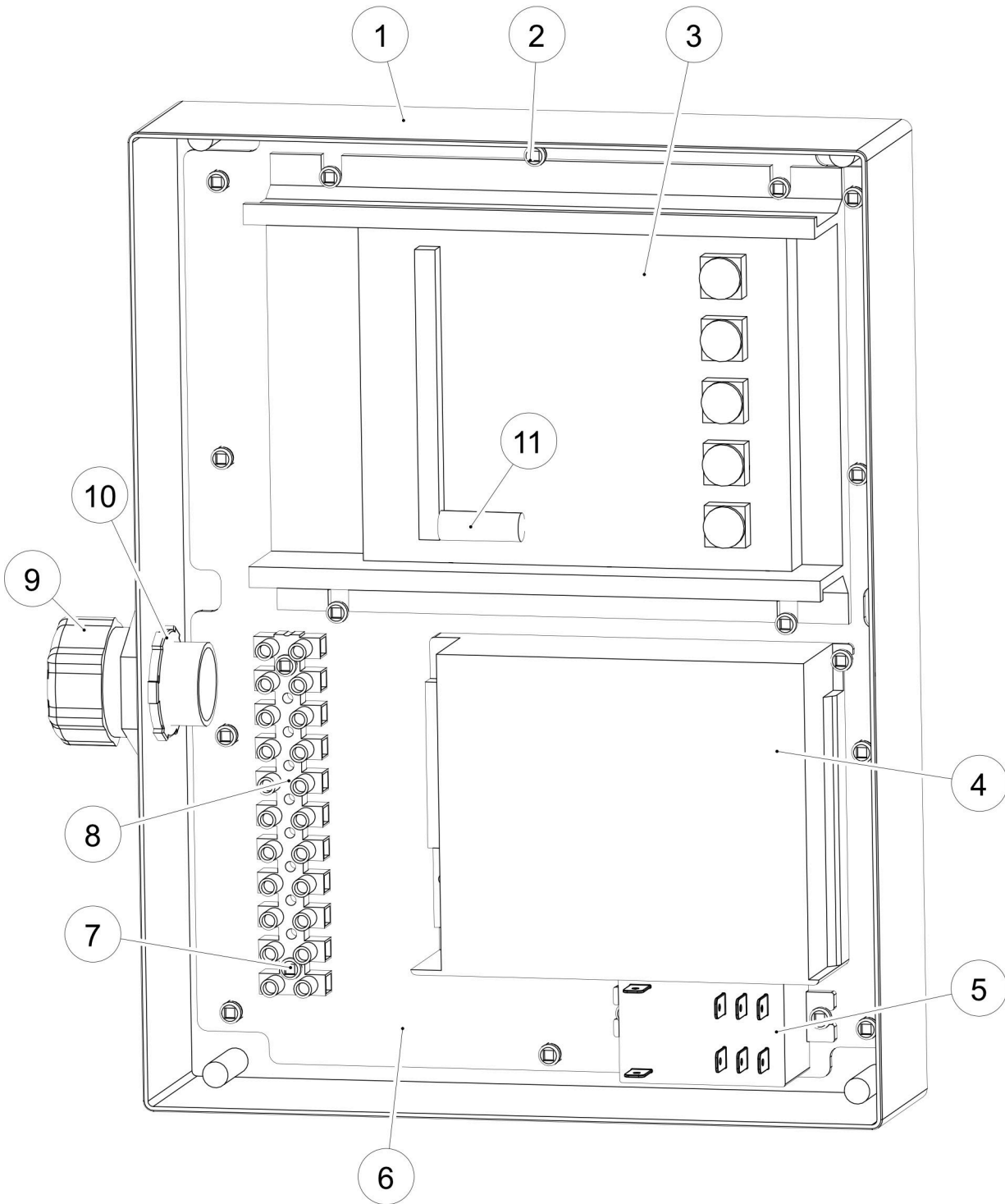




Hose Reel
HRV5000
Flood Light

S/N: 1800-01
S/N: Current
PAGE: 4.1.2

Item No.	Part No.	Description	Qty.
1	004-905313	FRAME FLOOD LIGHT HOLDER 650GTS	1
2		FLOOD LAMP - <i>Call Dryair Parts Dept.</i>	4
3	001-905294	U-BOLT 3/8X2-5/16X3-1/4 UNC PLD	4
4	001-700719	WSHR FLT 3/8 PLD	8
5	001-700721	NUT LKG NYL 3/8 UNC PLD	8

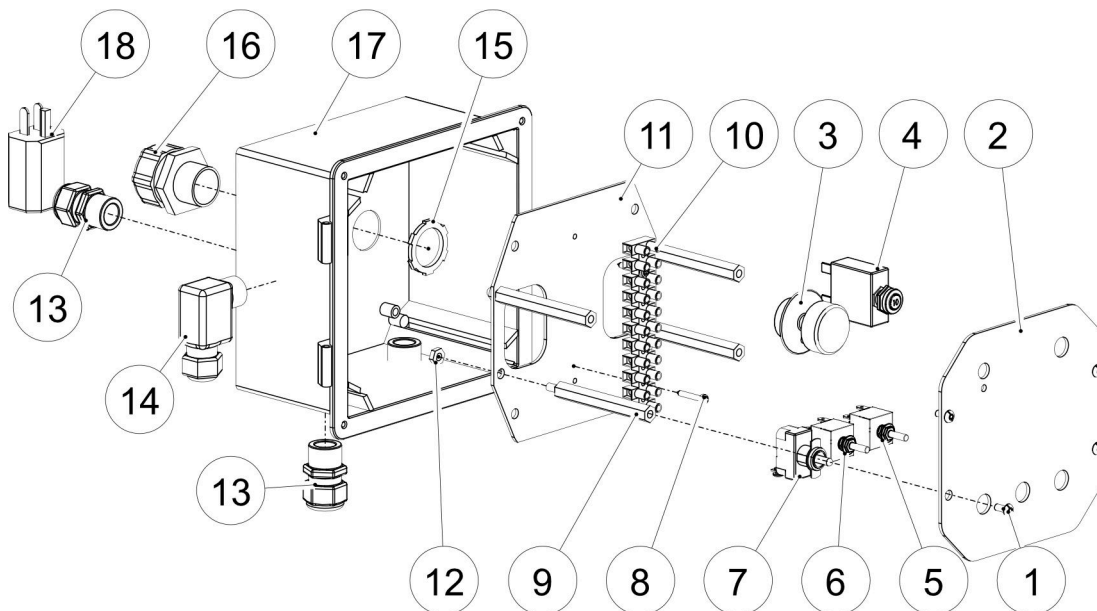




**Hose Reel
HRV5000
Control HRA**

S/N: 1800-01
S/N: Current
PAGE: 5.1.2

Item No.	Part No.	Description	Qty.
1	002-902562	ENC ELEC 11.75X9X3.5 POLYCARB	1
2	001-900608	SCRW SH MET #6X3/8 PAN HD SQ DR ZINC	18
3	005-902557	MOTOR CONTROLLER 90VDC IRONHORSE	1
4	002-902561	XFMR 120VAC-12VDC 72VA OUTPUT	1
5	002-902606	RELAY 12VDC DPDT FINDER SOLID-STATE	1
6	004-902624	PLT BKG ELEC BOX 11.75X9	1
7	001-702953	SCRW SH MET #6X3/4 PAN HD	2
8	002-702013	TERM STRIP-12POLE	1
9	002-902609	CONN STR-RLF 3/4 FOR 1/2 TEK CABLE	1
10	002-701133	LOCKNUT 3/4 STL CONDUIT	1
11	006-904745	FUSE ABC-15 SLO-BURN	1





**Hose Reel
HRV5000
Switch HRA**

S/N: 1800-01
S/N: Current
PAGE: 6.1.2

Item No.	Part No.	Description	Qty.
1	001-704572	SCRW MACH 10-32x3/8 SS UNF BTN HD 1/8HEX DR	4
2	004-902614	FPLT HRA ELEC	1
3	006-702384	PKG POTENTIOMETER S9111	1
4	002-902617	BRKR CKT 10A PUSH TO RESET	1
5	002-902615	SW DPDT MOM ON-OFF-MOM ON SCRW TERM	1
6	002-904746	SW 20A DPDT ON-ON	1
7	002-701359	SW TGL SPST 20A 125V SCRW TERM	1
8	001-702953	SCRW SH MET #6X3/4 PAN HD	2
9	001-902648	STANDOFF #10-32 MXF 3IN L BODY	4
10	002-702013	TERM STRIP-12POLE	1
11	004-902581	PLT BKG ELEC BOX 5-1/4IN SQ	1
12	001-703107	NUT MSCR #10-32 HEX PLD	4
13	002-704262	CONN STRN/RLF 1/2 .24-.47 CE/CSA	2
14	002-704247	CONNECTOR 1/2 90DEG FLEX NYL	1
15	002-701133	LOCKNUT 3/4 STL CONDUIT	1
16	002-902609	CONN STR-RLF 3/4 FOR 1/2 TEK CABLE	1
17	002-901427	ENC 6X6 POLY CW WINDOW	1
18	002-700036	PLUG CORD MALE YEL 3PR 120V	1
		The following components may not be shown	
	001-702161	WSHR LOCK #10 PLD	4

1



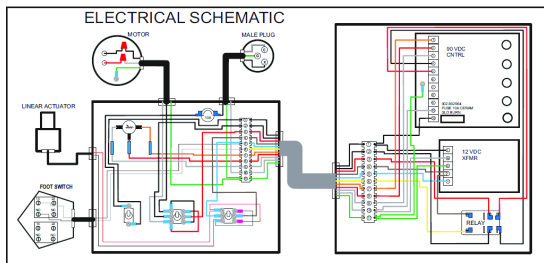
2



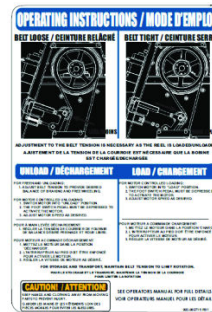
3



4



5



6



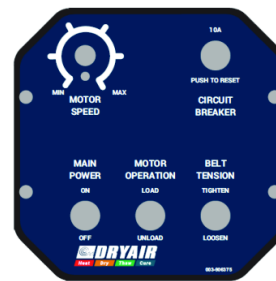
7



8



9



10



Item No.	Part No.	Description	Qty.
1	003-702207	DECAL DANGER DO NOT OPERATE	2
2	003-702648	DECAL DANGER 110V	1
3	003-703323	DECAL MADE IN CANADA 1.5x3	1
4	003-902714	DECAL ELEC SCHEM HRA	1
5	003-902715	DECAL OPR INSTR HRA	1
6	003-903355	DECAL WARNING EXT CORD SHOCK	1
7	003-903397	DECAL EXT CORD USE	1
8	003-906374	DECAL DRYAIR 9-5/8L 1-1/2W NEW BLUE	1
9	003-906375	DECAL CNTRL FPLATE HRA NEW BLUE	1
10	003-906754	DECAL QR OP MAN HOSE REEL	1



Hose Reel HRV5000
S/N: 1800-01 - Current

Part No. 023-907015
Rev. 00 05-31-2023