



Heat

Dry

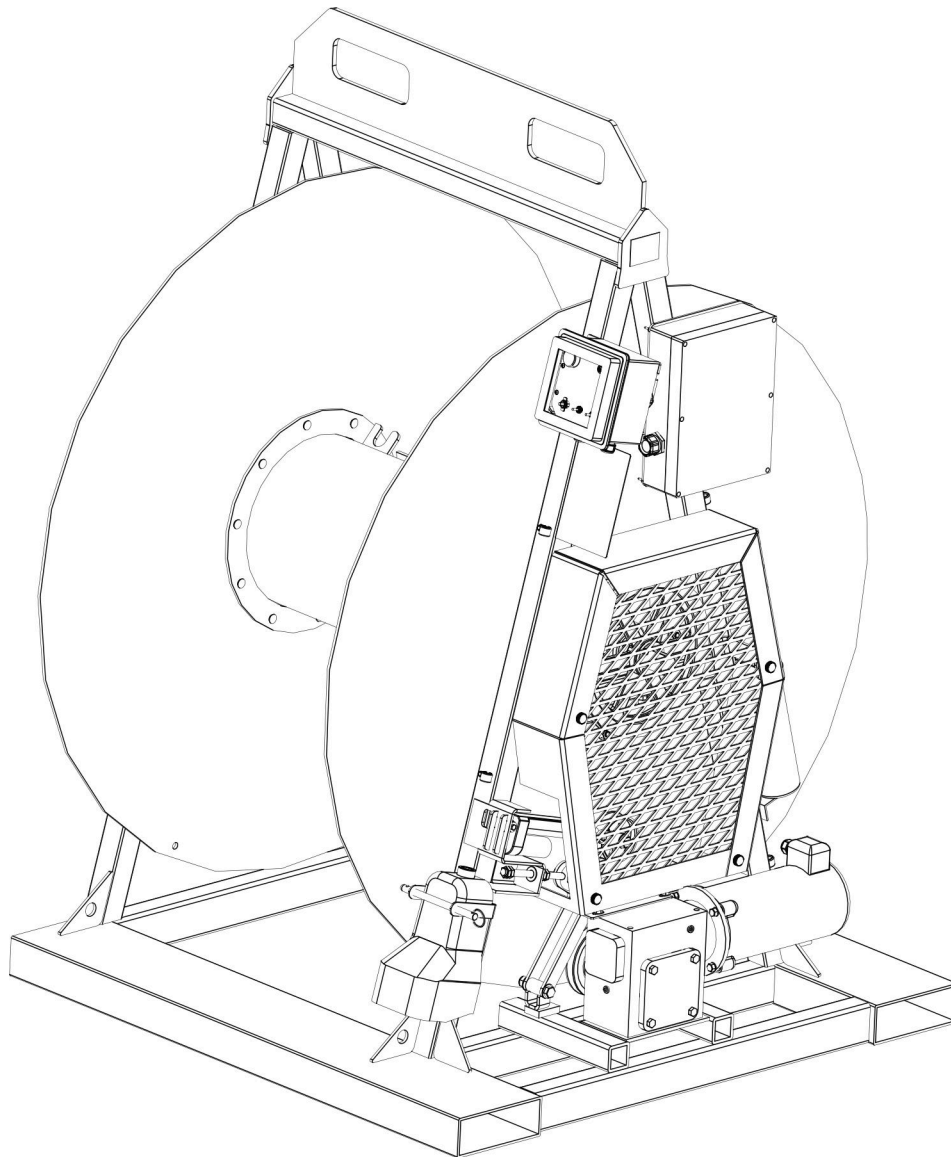
Thaw

Cure

PARTS CATALOGUE

Hose Reel

HRV 3000, HRV 6000

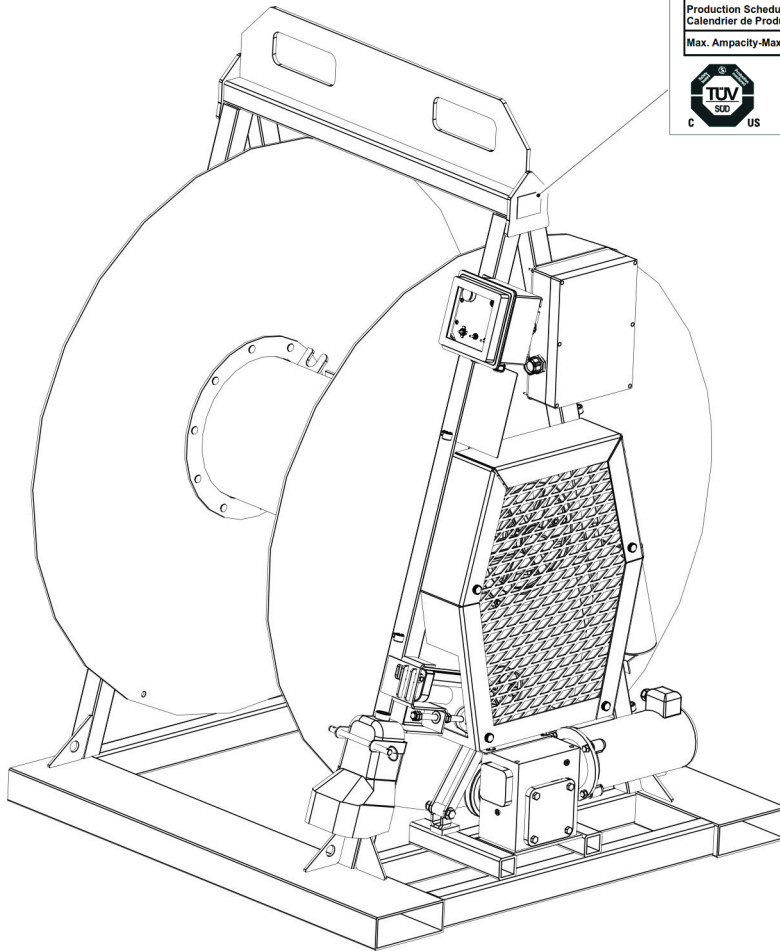





DRYAIR MANUFACTURING CORP.
PO BOX 126, 400 SERVICE ROAD
ST. BRIEUX, SK S0K 3V0
CANADA
www.dryair.ca

Tel: 1 (306) 275-4848
Toll-Free: 1 (888) 750-1700
Fax: 1 (306) 275-4664
Email: parts@dryair.ca



Hose Reel HRV 3000, HRV 6000 Serial Number Location

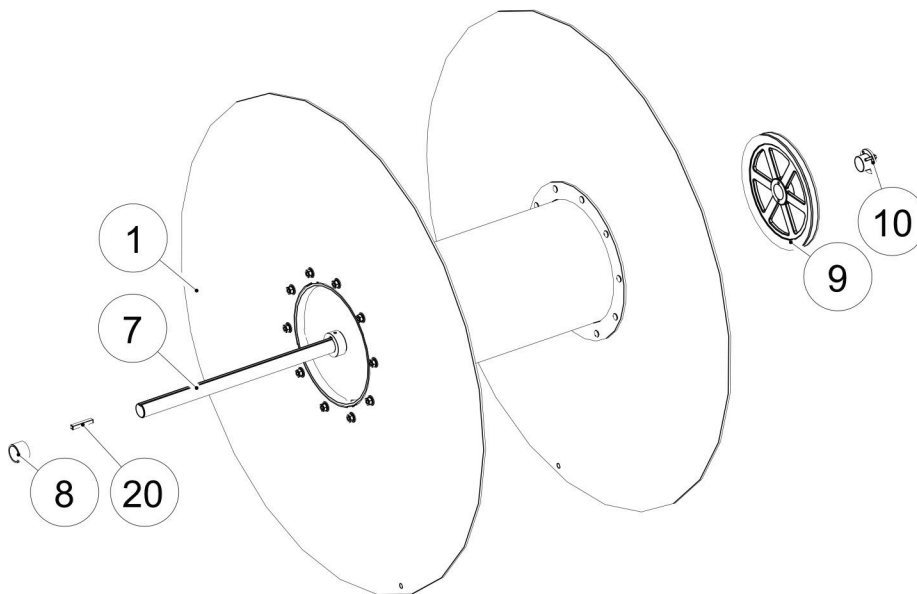
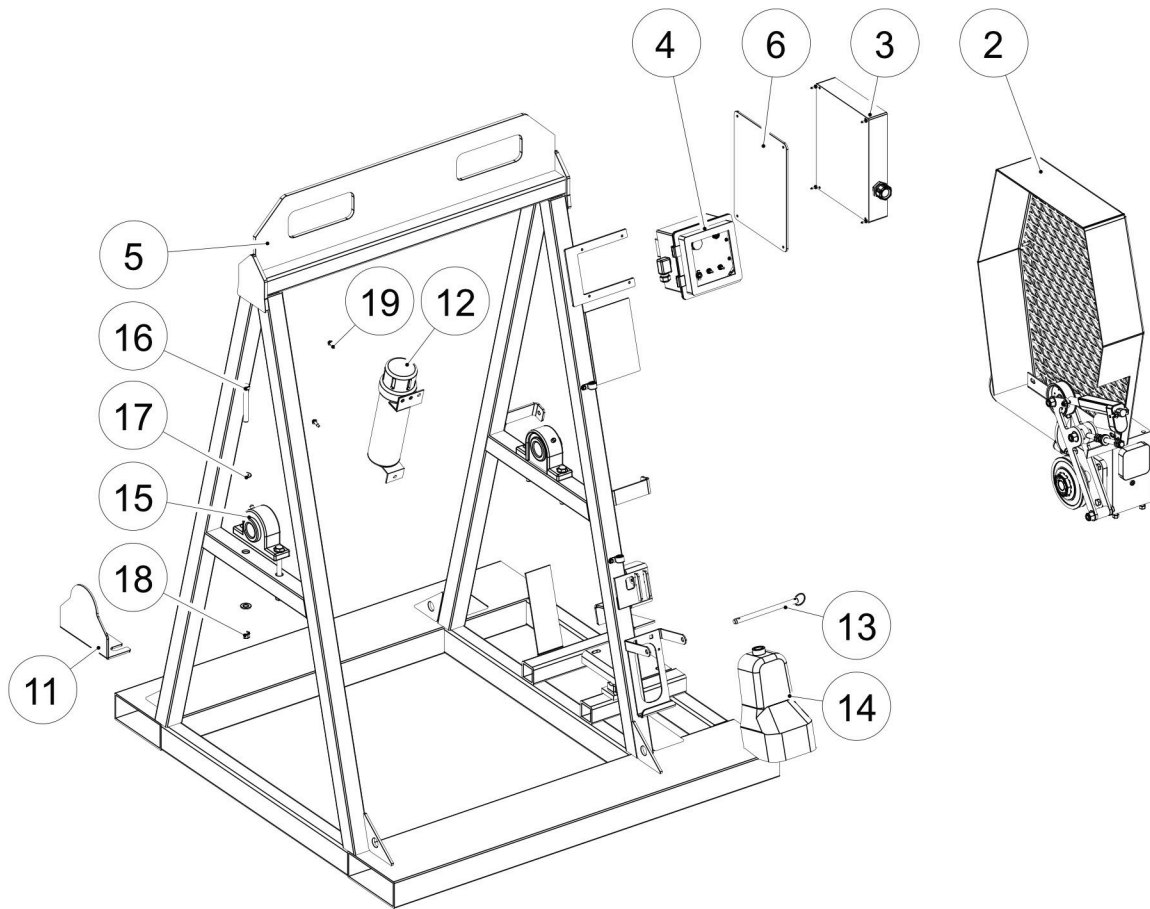


 P.O. Box 126 400 Service Road St. Brieux, SK Canada S0K 3V0 	
Model - Modèle:	
Reference - Référence:	
Production Schedule: Calendrier de Production:	
Max. Ampacity-Max. Ampacité:	
 003-903395 R01	



Hose Reel
HRV 3000, HRV 6000
Table of Contents

Hose Reel.....	1.1.1
Spool	2.1.1
Drive	3.1.1
HRA Control	4.1.1
HRA Switch	4.1.3
Decals	5.1.1





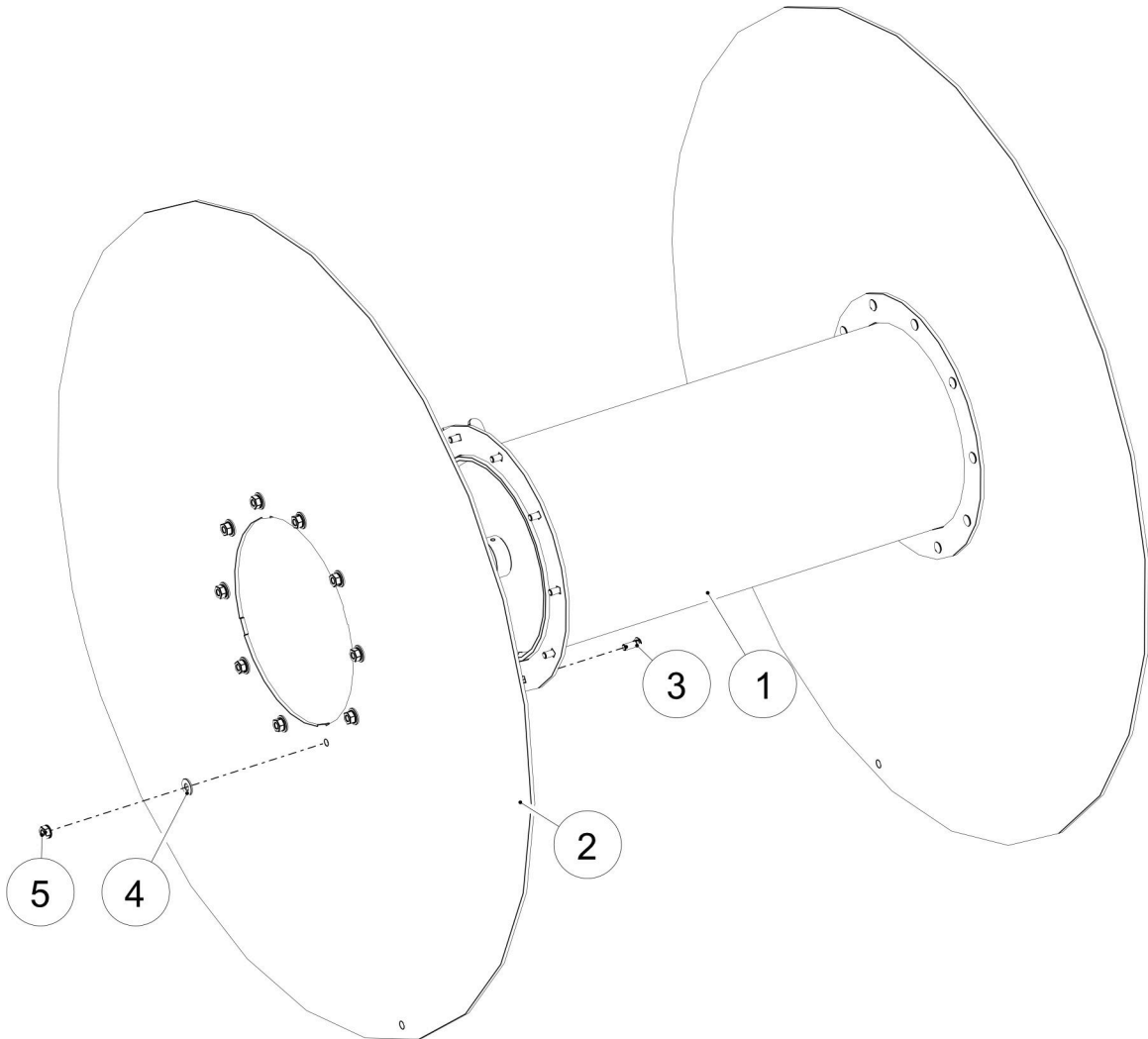
Hose Reel
HRV 3000, HRV 6000
Hose Reel

S/N: 1604-01 - 1604-06,

S/N: 1701-01 - Current

PAGE: 1.1.2

Item No.	Part No.	Description	Qty.
1		SPOOL see page 2.1.1	
2		DRIVE see page 3.1.1	
3		ELECTRICAL CONTROLS see page 4.1.1	
4		ELECTRICAL SWITCH see page 4.1.3	
5	004-902584	FRAME WELDMENT HRA 6000	1
6	004-902598	PLT MNT ELEC BOX 1.75X9IN	1
7	004-905779	SHAFT CR 1-1/2 CW KEYWAY 41-1/2L	1
8	004-905780	BSHG 1.9ODX1.61ID 1-1/4L PTND BLK	2
9	017-902621	PULLEY SDS 11.35 OD HUB	1
10	017-902618	HUB SDS 1-1/2 3 BOLT PATTERN	1
11	004-702123	SHLD SHFT HR6000 R01	1
12	017-902972	CASE OPR MNL TUBULAR	1
13	001-902716	PIN QR 1/2X6-1/2L CW RING	1
14	002-902559	SWITCH FOOT 2NO-2NC PG16F THREAD	1
15	017-902600	PLBLK TER P208 1-1/2 BRG	2
16	001-702159	BOLT 1/2X3-3/4 UNC PLD	4
17	001-700110	WSHR FLT 1/2 SAE PLD	8
18	001-701606	NUT LKG NYL 1/2 UNC PLD	4
19	001-700093	SCRW D/T 1/4-14X3/4 3/8HEX HD PLD	2
20	010-702228	KEY 3/8X2-1/2L	3





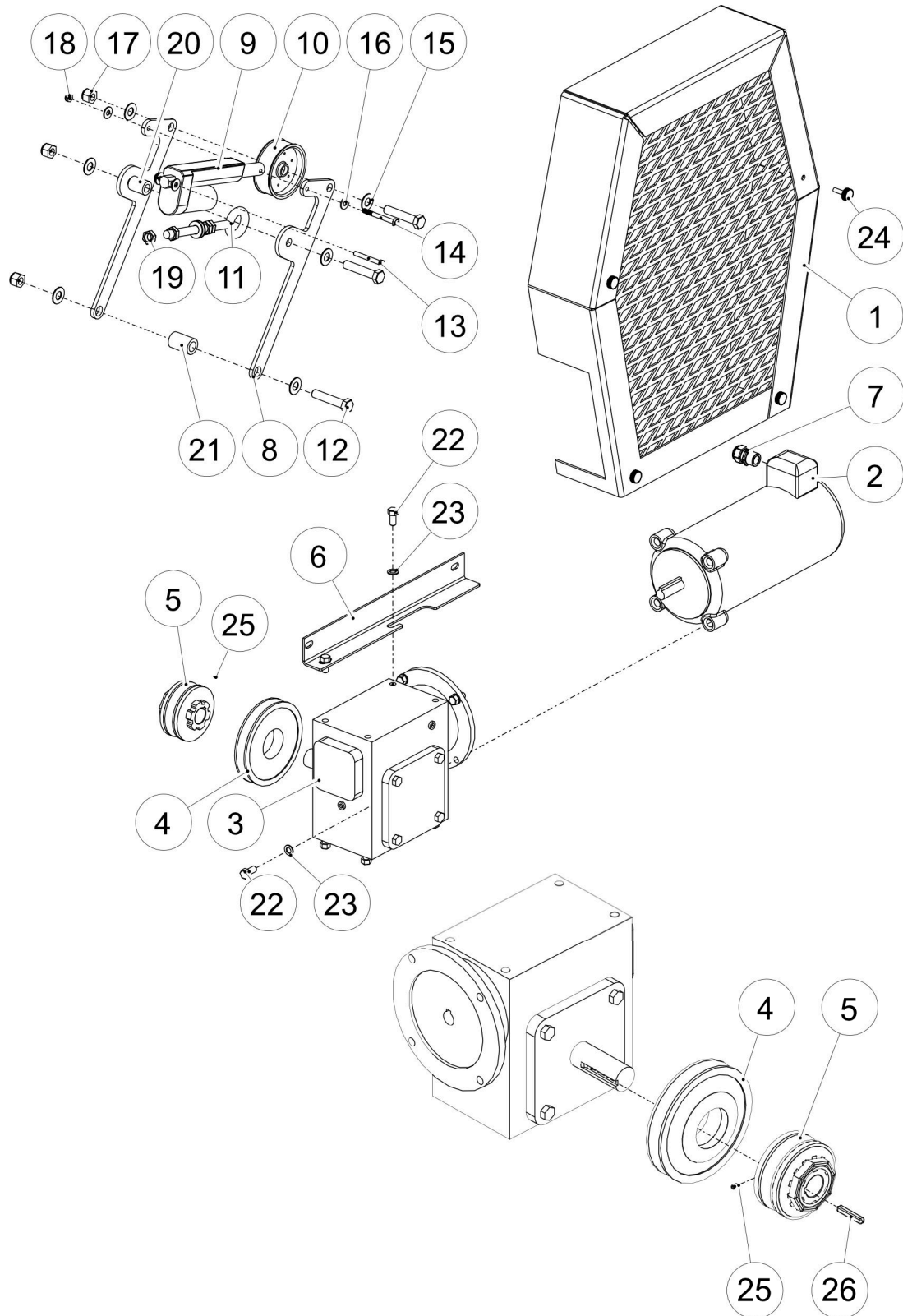
Hose Reel
HRV 3000, HRV 6000
Spool

S/N: 1604-01 - 1604-06,

S/N: 1701-01 - Current

PAGE: 2.1.2

Item No.	Part No.	Description	Qty.
1	004-902605	SPOOL HRA 6000	1
2	004-904552	RING OUTER CW 10HOLES 52 OD	2
3	001-704090	BOLT CRG 3/8-16X1 UNC PLD	20
4	001-700719	WSHR FLT 3/8 PLD	20
5	001-700721	NUT LKG NYL 3/8 UNC PLD	20





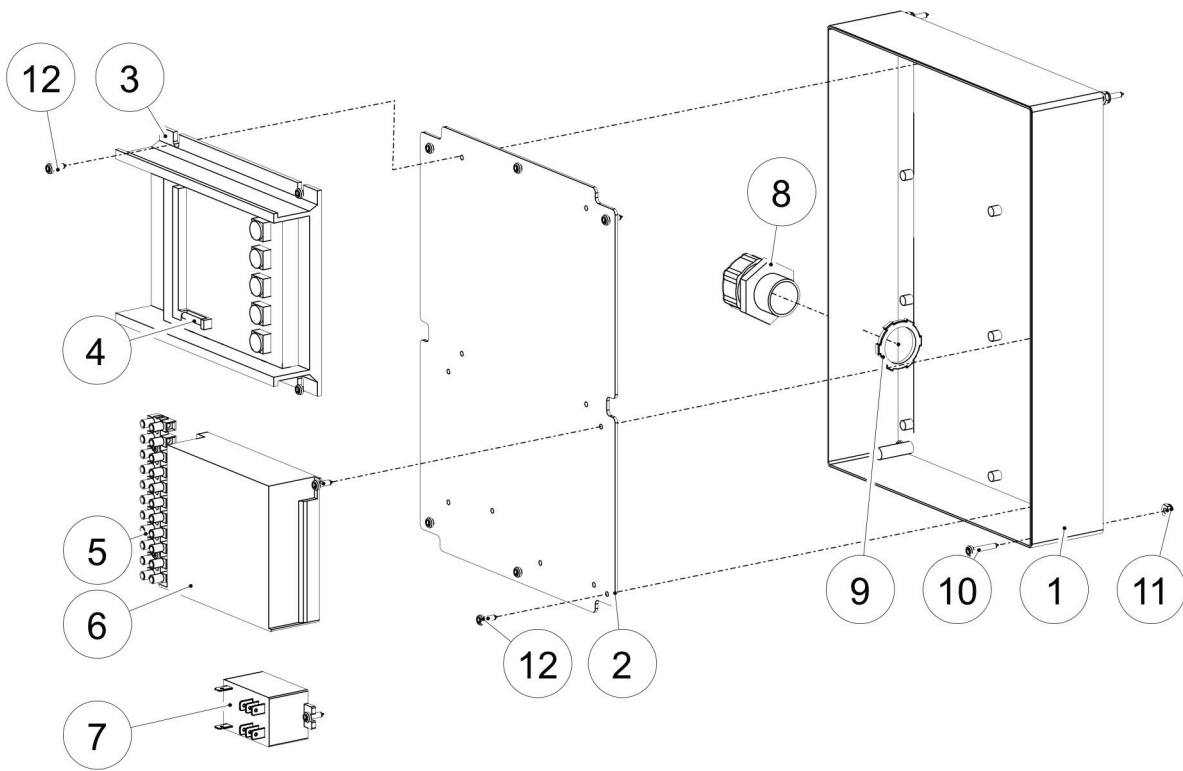
**Hose Reel
HRV 3000, HRV 6000
Drive**

S/N: 1604-01 - 1604-06,

S/N: 1701-01 - Current

PAGE: 3.1.2

Item No.	Part No.	Description	Qty.
1	004-902650	SHLD WELDMENT HRA 6000	1
2	012-902602	MOTOR DC 90V 1HP 56C	1
3	012-902555	GEARBOX HLCL WORM RTANG 60:1 56C.75HP IRONHORSE	1
4	017-902864	PULLEY B BELT 5.35 ODX1.90625ID	1
5	017-902565	TRQ LMTR 1-1/8 SHAFT SGL SPR 50-10 FT LB	1
6	004-902654	BASE FLANGE SHLD MNT HRA	1
7	002-704262	CONN STRN/RLF 1/2 .24-.47 CE/CSA	1
8	004-902625	ARM PIVOT HRA 6000	2
9	005-902560	LINAC 3IN STROKE 150LBS 12VDC	1
10	017-902603	PULLEY B BELT 3.25 OD INT BRG FLT-IDLER	1
11	001-902566	BOLT EYE 1/2X4X1IN OPEN 8L UNC	1
12	001-700475	BOLT 1/2X2-1/2 PLD GR5	3
13	001-700955	BOLT 1/4X2 PLD GR5	1
14	001-905778	BOLT 1/4X2-1/2 UNC PLD	1
15	001-700110	WSHR FLT 1/2 SAE PLD	8
16	001-700129	WSHR FLT 1/4 PLD	4
17	001-701606	NUT LKG NYL 1/2 UNC PLD	3
18	001-700042	NUT LKG NYL 1/4 UNC PLD	2
19	001-703313	NUT JAM 1/2 UNC PLD	4
20	004-902740	DOM .875OD X.500ID 1-1/8L PNTD BLK	1
21	004-902572	DOM 1ODX.625ID 1-1/2L	1
22	001-700434	BOLT 3/8X3/4 PLD GR5	10
23	001-700936	WSHR LOCK 3/8 PLD	10
24	001-902717	BOLT 1/4X7/8 UNC KNURL PLSTC HD	4
25	006-702378	SCRW SET 1/4-20X1/4 TRQ LMTR	1
26	004-906426	KEY 1/4X1/4 1-1/2L	1
		The following parts may not be shown	
	006-906553	DISC SET 1-1/8IN TRQ LMTR	





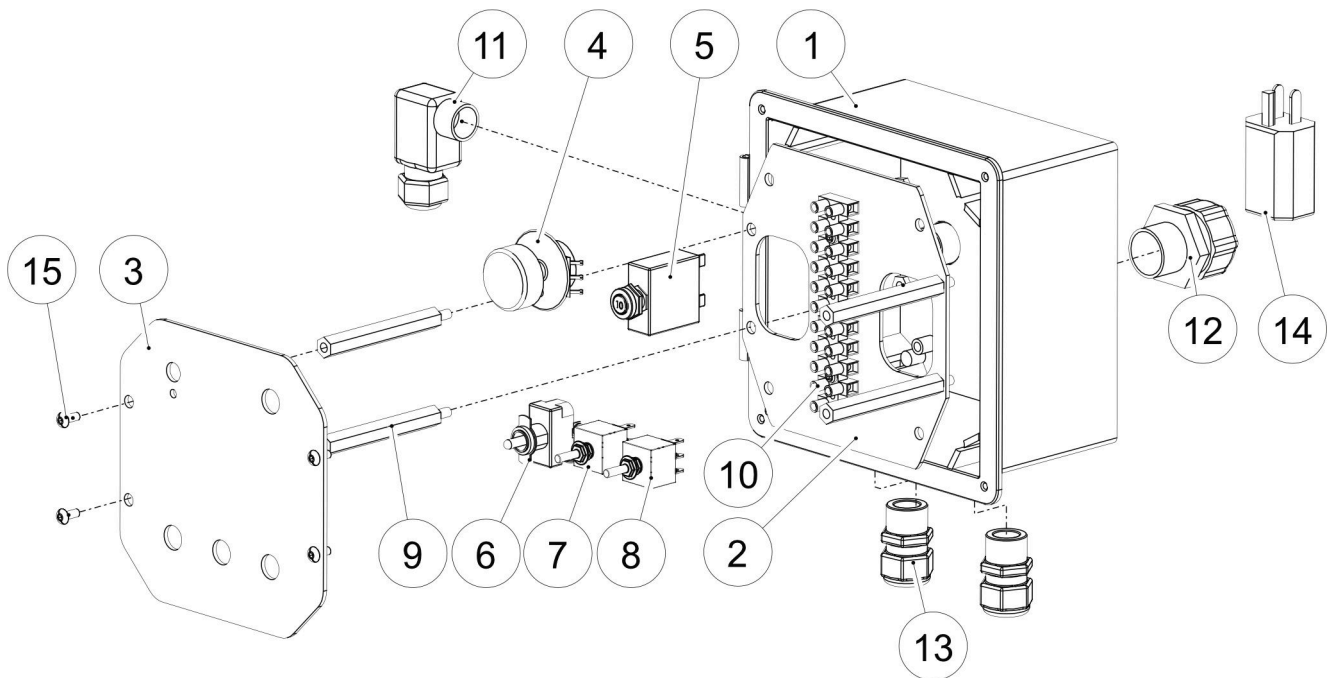
Hose Reel
HRV 3000, HRV 6000
HRA Control

S/N: 1604-01 - 1604-06,

S/N: 1701-01 - Current

PAGE: 4.1.2

Item No.	Part No.	Description	Qty.
1	002-902562	ENC ELEC 11.75X9X3.5 POLYCARB	1
2	004-902624	PLT BKG ELEC BOX 11.75X9	1
3	005-902557	MOTOR CONTROLLER 90VDC IRONHORSE	1
4	006-904745	FUSE ABC-15 SLO-BURN	1
5	002-702013	TERM STRIP-12POLE	1
6	002-902561	XFMR 120VAC-12VDC 72VA OUTPUT	1
7	002-902606	RELAY 12VDC DPDT FINDER SOLID-STATE	1
8	002-902609	CONN STR-RLF 3/4 FOR 1/2 TEK CABLE	1
9	002-701133	LOCKNUT 3/4 STL CONDUIT	1
10	001-702953	SCRW SH MET #6X3/4 PAN HD	4
11	001-704132	NUT LKG NYL #6-32	4
12	001-900608	SCRW SH MET #6X3/8 PAN HD SQ DR ZINC	18
		The following components may not be shown	
	002-700925	TERM RING END 14-16 BLU #10 STUD	1
	002-900409	CONN ELEC QD .250IN FLAG INSUL 14-16AWG BLUE	6
	002-902611	CABLE TEX 1/2IN	2 FT





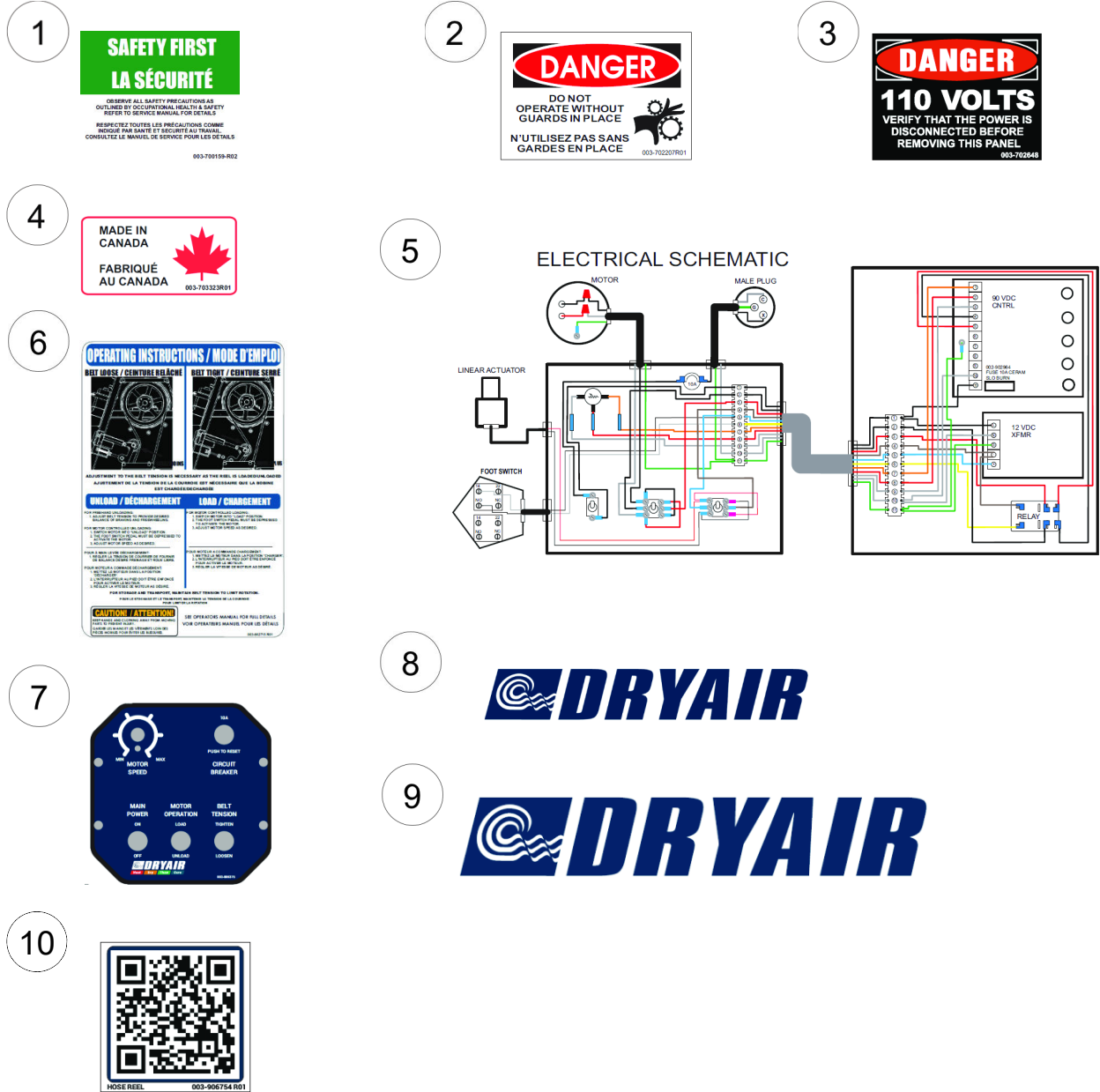
**Hose Reel
HRV 3000, HRV 6000
HRA Switch**

S/N: 1604-01 - 1604-06,

S/N: 1701-01 - Current

PAGE: 4.1.4

Item No.	Part No.	Description	Qty.
1	002-901427	ENC 6X6 POLY CW WINDOW	1
2	004-902581	PLT BKG ELEC BOX 5-1/4IN SQ	1
3	004-902614	FPLT HRA ELEC	1
4	006-702384	PKG POTENTIOMETER S9111	1
5	002-902617	BRKR CKT 10A PUSH TO RESET	1
6	002-701359	SW TGL SPST 20A 125V SCRW TERM	1
7	002-904746	SW 20A DPDT ON-ON	1
8	002-902615	SW DPDT MOM ON-OFF-MOM ON SCRW TERM	1
9	001-902648	STANDOFF #10-32 MXF 3IN L BODY	4
10	002-702013	TERM STRIP-12POLE	1
11	002-704247	CONNECTOR 1/2 90DEG FLEX NYL	1
12	002-902609	CONN STR-RLF 3/4 FOR 1/2 TEK CABLE	1
13	002-704262	CONN STRN/RLF 1/2 .24-.47 CE/CSA	4
14	002-700036	PLUG CORD MALE YEL 3PR 120V	1
15	001-704572	SCRW MACH 10-32x3/8 SS UNF BTN HD 1/8HEX DR	16
		The following components may not be shown	
	001-702161	WSHR LOCK #10 PLD	4
	001-702953	SCRW SH MET #6X3/4 PAN HD	2
	001-703107	NUT MSCR #10-32 HEX PLD	4
	002-700925	TERM RING END 14-16 BLU #10 STUD	14
	002-702644	CABLE SJTOW 14/3 300V CSA	8 FT
	002-702914	TERM RING END 18-22 #10 STUD RED	4
	002-900409	CONN ELEC QD .250IN FLAG INSUL 14-16AWG BLUE	2
	002-901425	CABLE SOW 18/2 AWG	10 FT
	002-902558	ADPTR ELEC PG16M X 1/2NPTF	1
	002-904746	SW 20A DPDT ON-ON	1



Item No.	Part No.	Description	Qty.
1	003-700159	DECAL SAFETY FIRST	1
2	003-702207	DECAL DANGER DO NOT OPERATE	2
3	003-702648	DECAL DANGER 110V	1
4	003-703323	DECAL MADE IN CANADA 1.5x3	1
5	003-902714	DECAL ELEC SCHEM HRA	1
6	003-902715	DECAL OPR INSTR HRA	1
7	003-906375	DECAL CNTRL FPLATE HRA NEW BLUE	1
8	003-906374	DECAL DRYAIR 9-5/8L 1-1/2W NEW BLUE	1
9	003-906422	DECAL DRYAIR 12X2 NEW	1
10	003-906754	DECAL QR OP MAN HOSE REEL	1



Hose Reel HRV 3000, HRV 6000
S/N: 1604-01 - 1604-06, 1701-01 - Current

Part No. 023-905863
Rev. 01 04-13-2023