



Heat

Dry

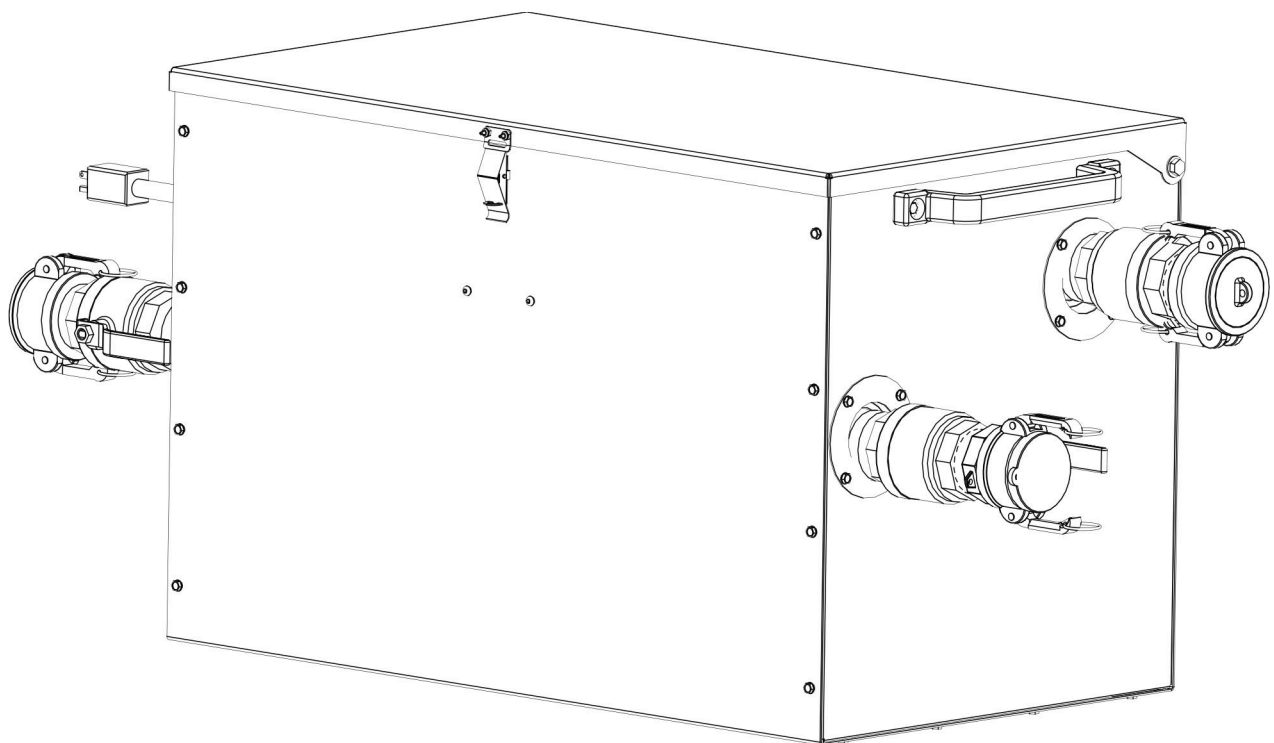
Thaw

Cure

# PARTS CATALOGUE

## MB100

### Mixing/Booster



**DRYAIR MANUFACTURING CORP.**  
PO BOX 126, 400 SERVICE ROAD  
ST. BRIEUX, SK S0K 3V0  
CANADA  
[www.dryair.ca](http://www.dryair.ca)

Tel: 1 (306) 275-4848  
Toll-Free: 1 (888) 750-1700  
Fax: 1 (306) 275-4664  
Email: [parts@dryair.ca](mailto:parts@dryair.ca)



# Mixing/Booster Serial Number Location

PO Box 126  
400 Service Road  
St. Brieux, Sk.  
Canada

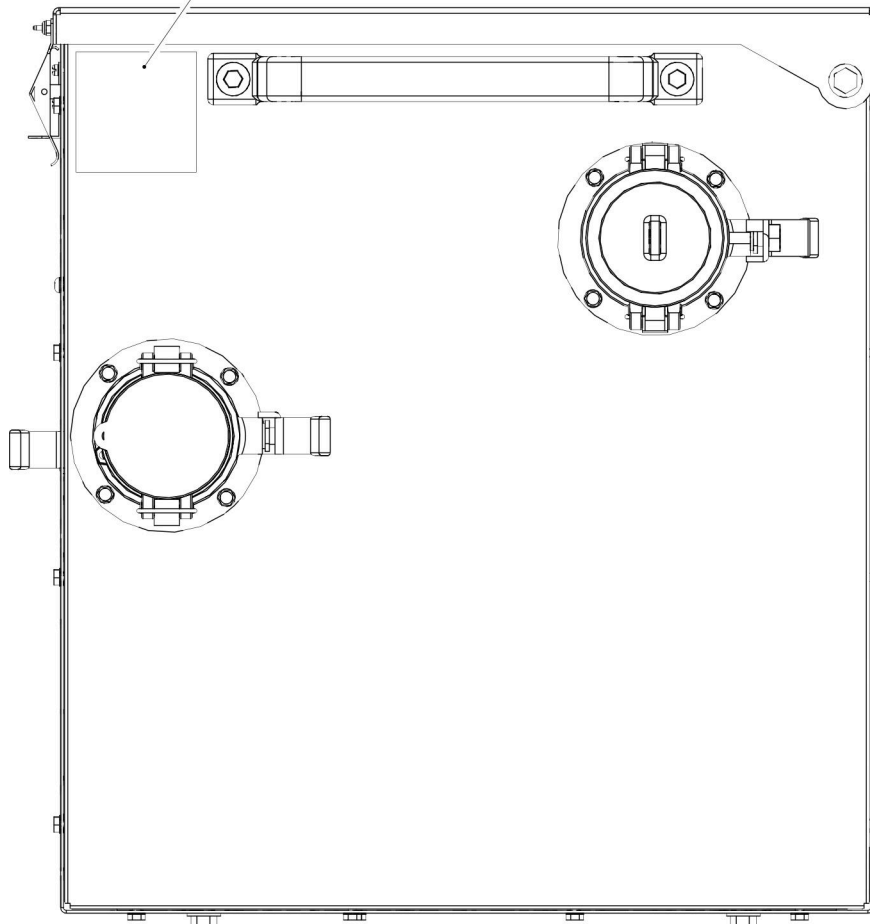
Model / Modèle:	
Production Schedule / Calendrier de Production:	
Reference / Référence:	

Motor Data / Données Moteur	
HP	
Volts	
Hz	60
Ambient / Ambiant:	60°C
RPM	
Max. Ampacity / Max. Amperage:	
Speed / Vitesse:	

Certified for Indoor and Outdoor Use /  
Certifié pour utilisation à l'intérieur et à  
l'extérieur

	Max. Inlet Water Temperature / Température Maximale de L'eau d'Entrée: 85°C
--	---

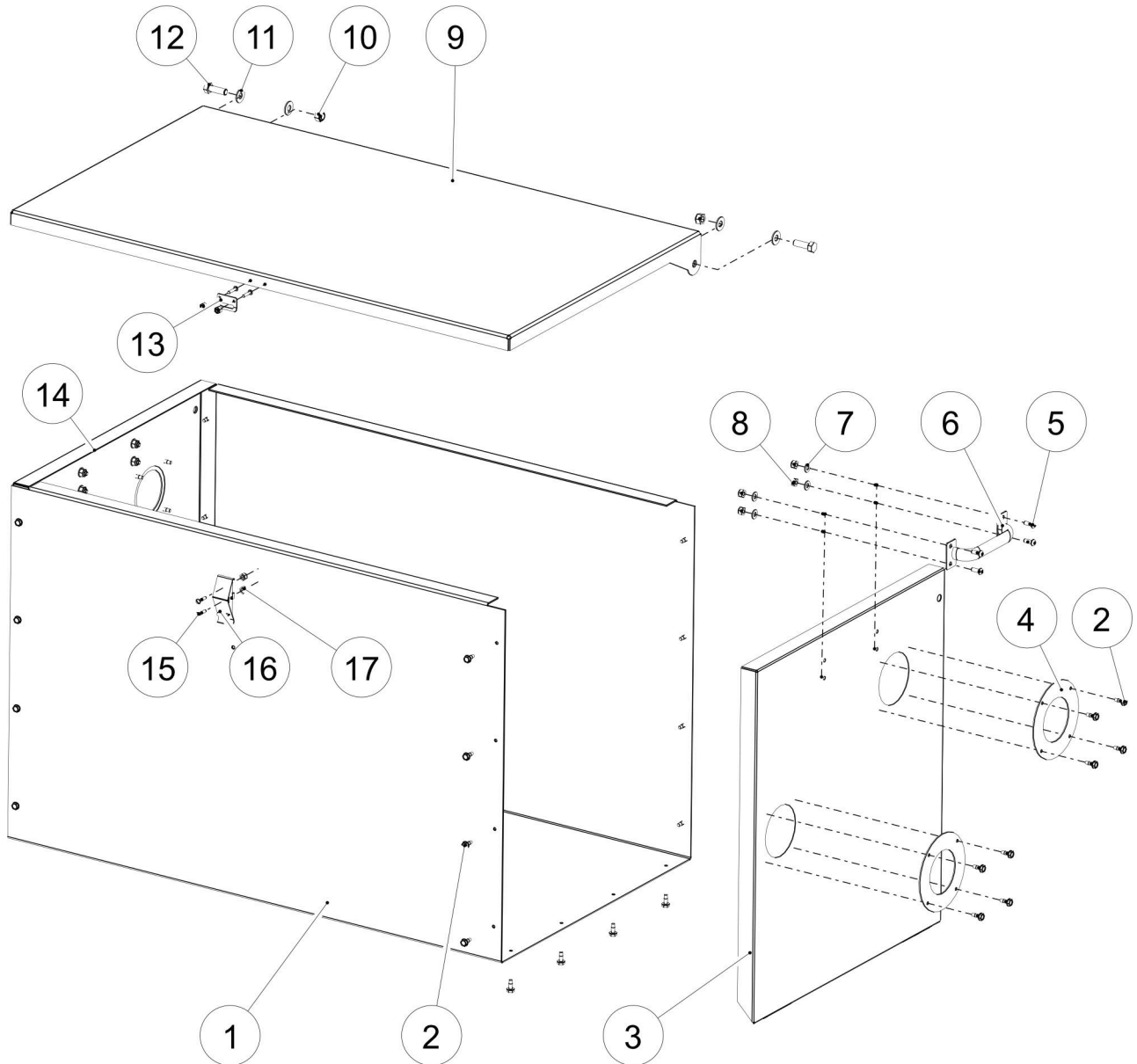
003-903386 R01





# Mixing/Booster Table of Contents

Cabinet Components.....	1.1.1
Plumbing Components .....	2.1.1
Pump Components.....	2.1.3
Pump Outlet .....	2.1.5
Supply Plumbing .....	2.1.7
Return Plumbing.....	2.1.9
Electrical Components .....	3.1.1
Cord Components .....	3.1.3
Decals .....	4.1.1





## Mixing/Booster

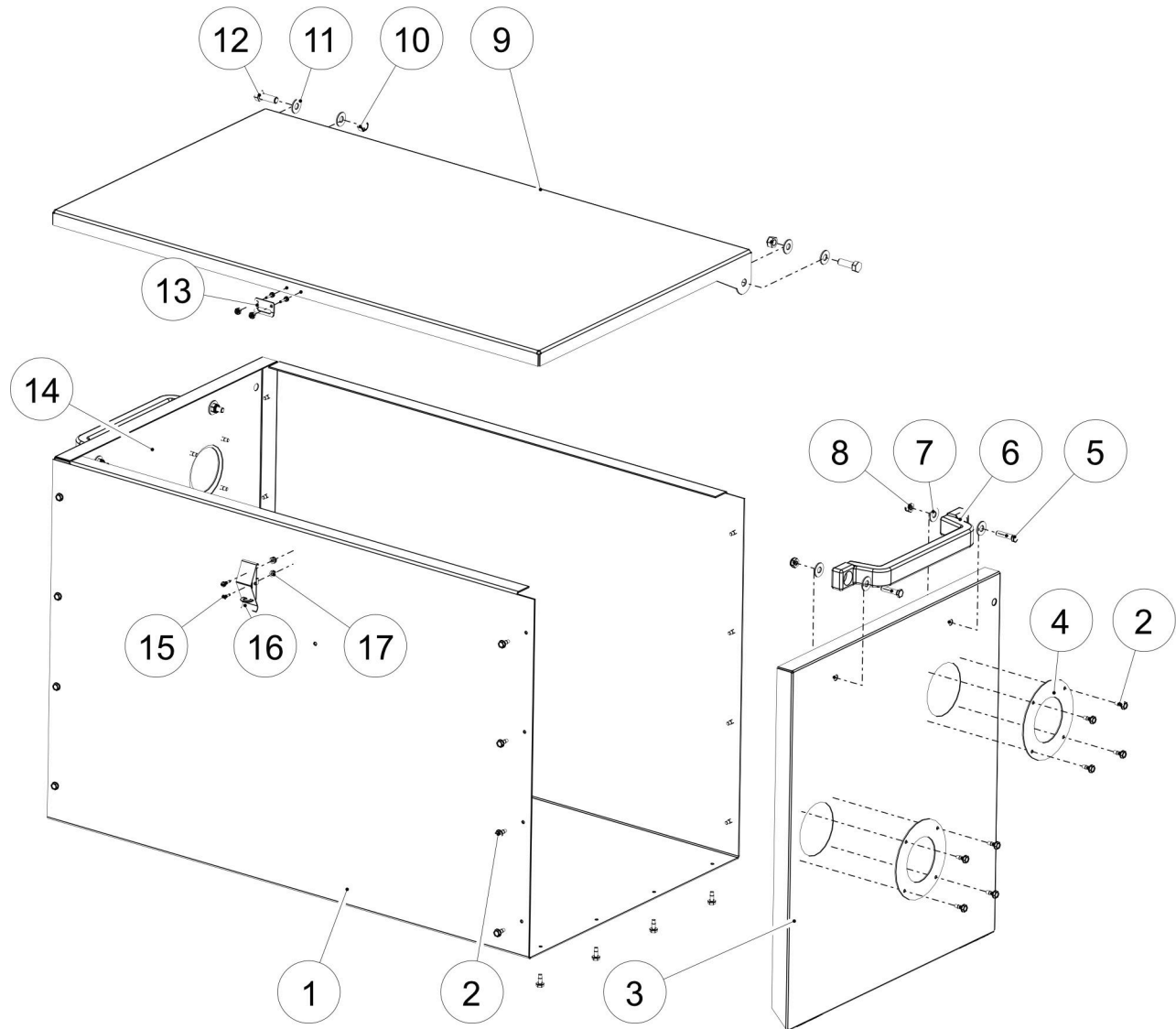
S/N: 1080-01 -

S/N: 1839-05

## Cabinet Components

PAGE: 1.1.2

Item No.	Part No.	Description	Qty.
1	004-702257	CBNT BODY 16GA 31X18X20 PAINTED R03	1
2	001-700630	SCRW D/T 10-16X1/2 5/16HEX HD PLD	40
3	004-702260	CBNT END RT 16GA 20X18 R03	1
4	004-702322	DISC FLSHG 3 15/16DIA 2 7/16DIA HOLE R02	4
5	001-700806	SCRW MACH 10-24X1/2	8
6	017-701302	HNDL PRSD STL 5-3/4 4H ZINC PLD	2
7	001-701185	WSHR FLT #10 SAE PLD	8
8	001-700805	NUT LKG 10-24 PLD	8
9	004-702259	CBNT LID 16GA 31 1/4X18 1/4 R01	1
10	001-700741	NUT LKG NYL 5/16 UNC PLD	2
11	001-700742	WSHR FLT 5/16 PLD	4
12	001-700743	BOLT 5/16X1 PLD GR5	2
13	001-702253	CLP FSTNR WITH PADLOCK EYE	1
14	004-702261	CBNT END LT 16GA 20X18 R03	1
15	001-701183	SCRW MACH 8-32X3/4 RHTHD	4
16	001-702253	CLP FSTNR WITH PADLOCK EYE	1
17	001-701511	NUT LKG NYL 8-32 UNC PLD	4





## Mixing/Booster

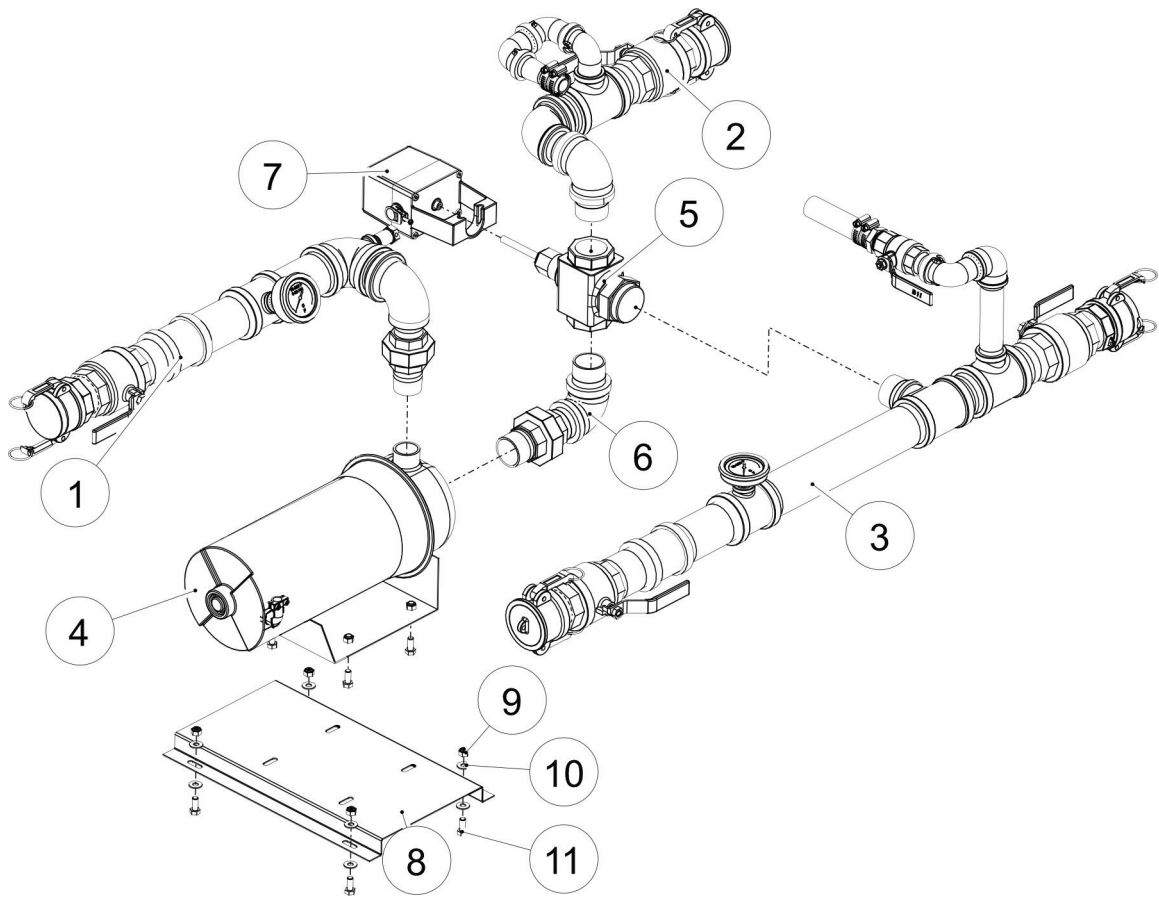
S/N: 1839-01 -

S/N: Current

## Cabinet Components

PAGE: 1.2.2

Item No.	Part No.	Description	Qty.
1	004-702257	CBNT BODY 16GA 31X18X20 PAINTED R03	1
2	001-700630	SCRW D/T 10-16X1/2 5/16HEX HD PLD	40
3	004-905684	CBNT END RT 16GA 20X18 NEW HNDL	1
4	004-702322	DISC FLSHG 3 15/16DIA 2 7/16DIA HOLE R02	4
5	001-700739	BOLT 1/4X1 PLD GR5	4
6	017-704065	HNDL 9-7/8 RUBBER COATED	2
7	001-700129	WSHR FLT 1/4 PLD	8
8	001-700042	NUT LKG NYL 1/4 UNC PLD	4
9	004-702259	CBNT LID 16GA 31 1/4X18 1/4 R01	1
10	001-700741	NUT LKG NYL 5/16 UNC PLD	2
11	001-700742	WSHR FLT 5/16 PLD	4
12	001-700743	BOLT 5/16X1 PLD GR5	2
13	001-702253	CLP FSTNR WITH PADLOCK EYE	1
14	004-905683	CBNT END LT 16GA 20X18 NEW HNDL	1
15	001-701609	SCRW MACH 6-32X1/2 RND HEAD	4
16	001-702253	CLP FSTNR WITH PADLOCK EYE	1
17	001-704132	NUT LKG NYL #6-32	4







## Mixing/Booster

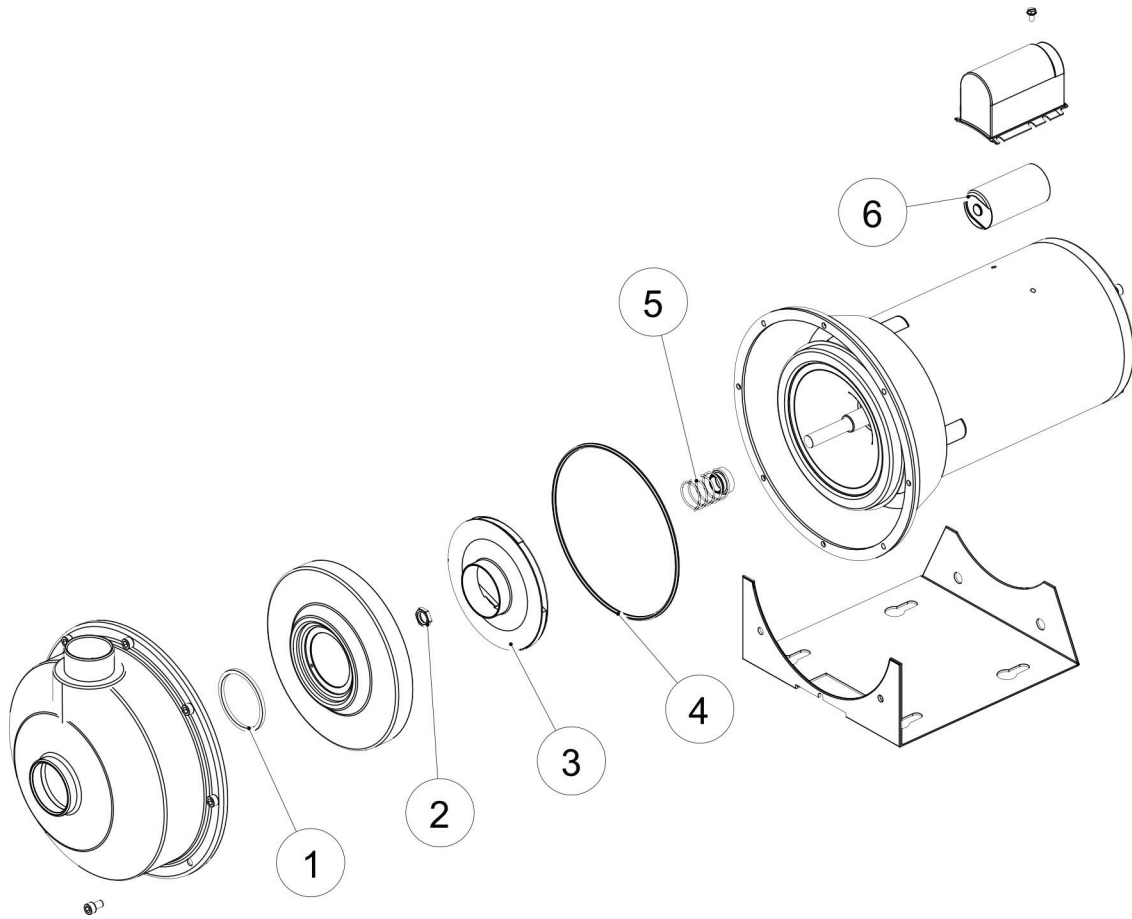
S/N: 1080-01 -

S/N: Current

## Plumbing Components

PAGE: 2.1.2

Item No.	Part No.	Description	Qty.
1		PUMP OUTLET see page 2.1.5	
2		SUPPLY PLUMBING see page 2.1.7	
3		RETURN PLUMBING see page 2.1.9	
4	012-800053	PUMP see page 2.1.3	
5	005-702254	VLV MIXING 3-WAY	1
6	018-900774	PKG PLMB PUMP INLET MIXING BOOSTER	1
7	005-702255	VLV ACTUATOR ML 7984A3019	1
8	004-702258	BRKT PUMP MT 16GA 16X8X1 R01	1
9	001-700741	NUT LKG NYL 5/16 UNC PLD	8
10	001-700742	WSHR FLT 5/16 PLD	12
11	001-700958	BOLT 5/16X3/4 PLD GR5	8





# Mixing/Booster Pump Components

S/N: 1080-01 -  
S/N: Current  
PAGE: 2.1.4

Item No.	Description	Part No.					
		012-800052 3/4 HP	012-800053 1 HP	012-905311 2 HP	012-800055 2 HP	012-702751 3 HP	
1	SEAL RING GUIDEVANE G & L PUMP	006-703027	006-703008				
2	LOCKNUT IMPELLER G & L PUMP	006-703026					
3	IMPELLER G & L PUMP	006-703028	006-703029	006-703007	006-703030	006-703031	
4	O-RING CASING G & L PUMP	006-703006					
5	SEAL MECH G & L PUMP	006-703005					
6A	CAPACITOR PUMP GOULDS	006-701171	006-702799	006-701171		006-703468	
6B	CAPACITOR RUN PUMP GOULDS CAPACITOR RATING: 60µF 370V						006-906552
6C	CAPACITOR RUN PUMP GOULDS W/ NIDEC MOTOR CAPACITOR RATING: 40µF 370V						006-906922
6D	CAPACITOR START PUMP GOULDS W/ NIDEC MOTOR CAPACITOR RATING: 233-280µF 165V						006-906923
6E	CAPACITOR PUMP GOULDS W/ NIDEC MOTOR CAPACITOR RATING: 189-227µF 110V	006-906943					

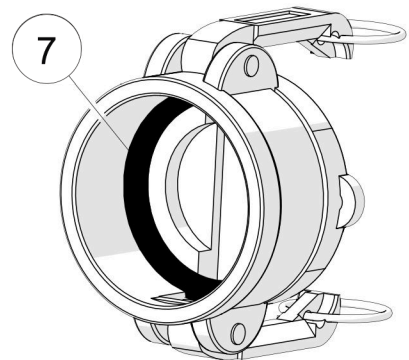
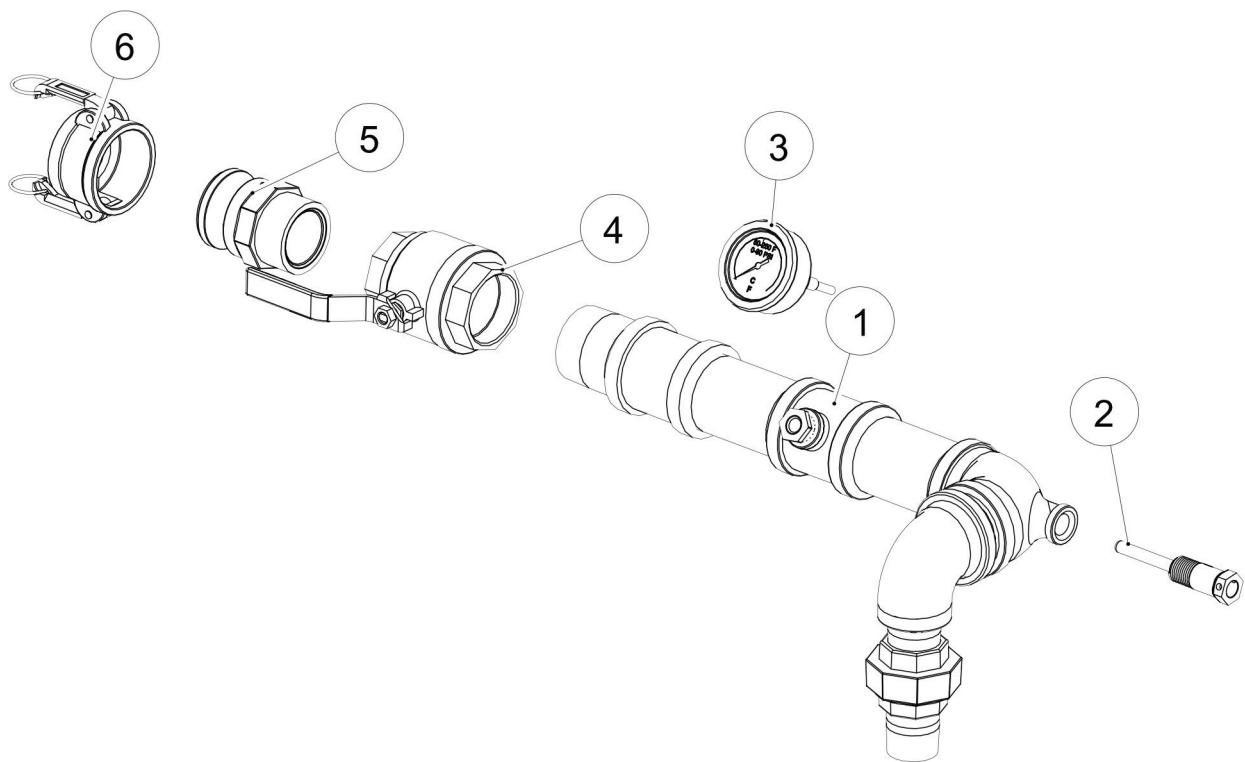
REFER TO PUMP MOTOR NAME PLATE EXAMPLES PRIOR TO ORDERING CAPACITORS

### NIDEC MOTOR NAME PLATE EXAMPLE

		CUST. NO. E09954BBS	
CAT. NO.	MODEL	INS F	AMB 40 °C PH 1 CODE E
THERMALLY PROTECTED	AUTO	ENC	ODP FRAME 56J DUTY CONT DATE CODE
		PROT. CODE 00240	
<b>60 HZ DATA</b>		<b>50 HZ DATA</b>	
3	HP	3	
3450	RPM	2850	
208-230	VOLTS	220-230	
14.0-13.0	F.L.A.	14.0-15.0	
1.15	S.F.A.	1.0	
16.0-14.0	S.F.A.	N/A	
CE IP22			
<b>SUITABLE FOR FIELD WIRING. USE COPPER CONDUCTORS ONLY</b>			
<b>WARNING:</b> MOTOR MUST BE GROUNDED IN ACCORDANCE WITH LOCAL AND NATIONAL ELECTRIC CODES. COMPONENT COVER MUST BE IN PLACE BEFORE OPERATING TO PREVENT ELECTRICAL SHOCK OR INJURY.			

### WEG, BLUFFTON MOTOR NAME PLATE EXAMPLE

		MAT 15350627 SERIAL 107319461	
HZ	60	HZ	50
V	115/208-230 V	V	115/230 V
HP	0.75	HP	0.75
RPM	3450	RPM	2875
FLA	9.2/4.6-4.6	FLA	12.2/6.1
SF	1.5	SF	1.00
SFA	12.0/6.5-6.0	SFA	
FR	56J	PH	1
INS	B	TYPE	U
ENC	DP	MAX. AMBI	40°C
CONT	CONT (S1)	REF	E05C12A1EB6G
INS	B	CAT	
ENC	DP		
CERT ID	4103007456		
DSN	22H0111 8		
WARNING: Always disconnect motor from power supply before servicing. Fatal shock may result if motor frame and adjacent metal are not grounded in compliance with electrical code.			
THERMALLY PROTECTED AUTOMATIC RESET. Motor will restart without warning after protector trips. Do not install this motor on equipment where automatic startup could result in injury.			
<b>CONNECTIONS</b>			
<b>HIGH VOLTAGE</b>		<b>LOW VOLTAGE</b>	
1	4	1	4
2	5	2	5

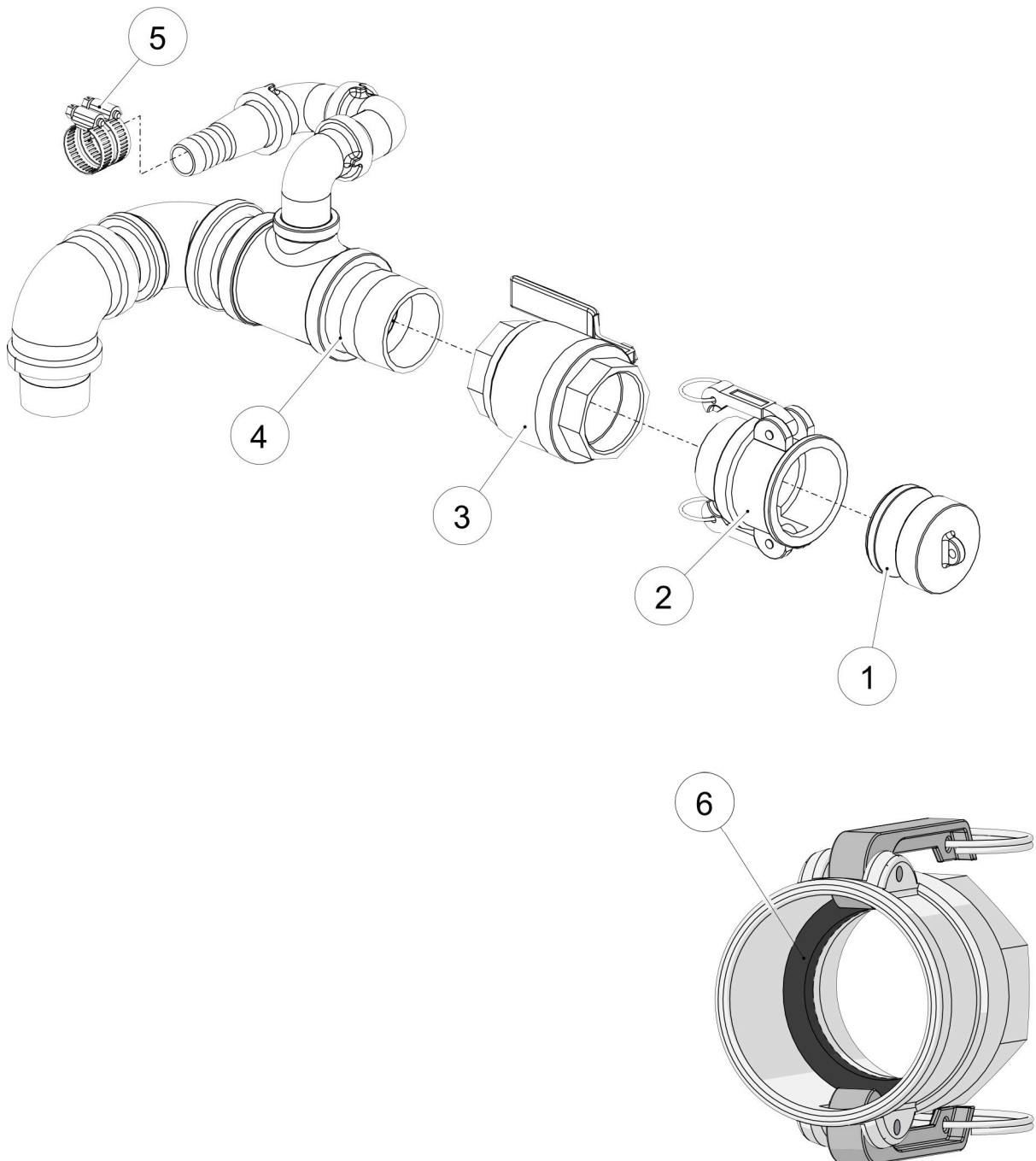




Mixing/Booster  
Pump Outlet

S/N: 1080-01 -  
S/N: Current  
PAGE: 2.1.6

Item No.	Part No.	Description	Qty.
1	018-900775	PKG PLMB PUMP OUTLET MIXING BOOSTER	1
2	005-704272	WELL THERM BULB ASSY 1/2IN NPT	1
3	006-700532	GAUGE T&P LOW PRESS @90PSI 250F	1
4	011-701442	VLV BALL 2 FL PT CSA/UL	1
5	011-700278	KMLCK 2 PART F ADPTR AL NPTM	1
6	011-700390	KMLCK 2 PART DC DUST CAP AL	1
7A	006-702959	GSKT 2IN KMLCK CPLR STD	1
7B	006-900823	GSKT 2IN KMLCK CPLR SILICONE RBR	1
7C	006-702962	GSKT 2IN KMLCK CPLR THICK	1

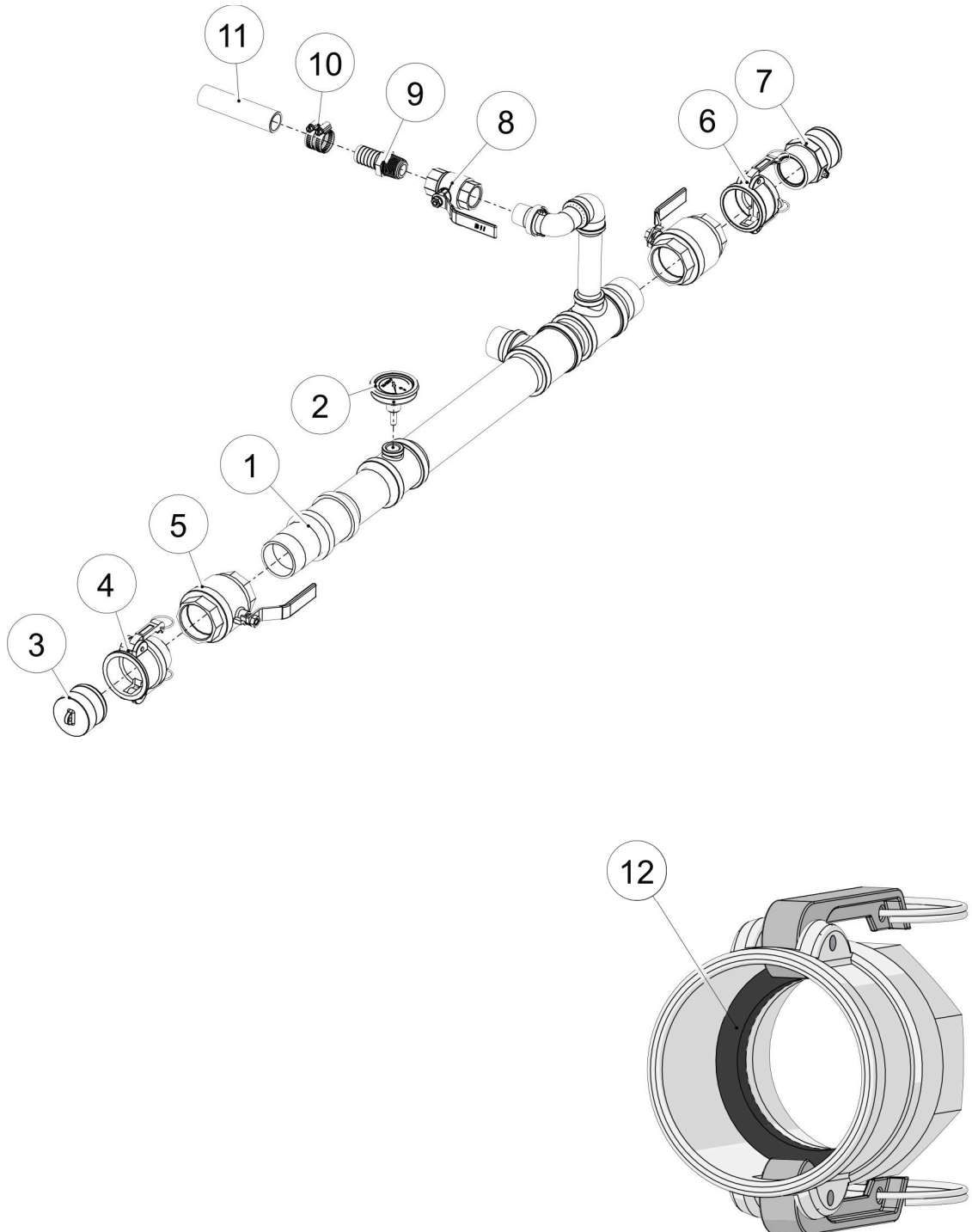




Mixing/Booster  
Supply Plumbing

S/N: 1080-01 -  
S/N: Current  
PAGE: 2.1.8

Item No.	Part No.	Description	Qty.
1	011-700391	KMLCK 2 PART DP DUST PLUG AL	1
2	011-700279	KMLCK 2 PART B CPLR AL NPTM	1
3	011-701442	VLV BALL 2 FL PT CSA/UL	1
4	018-900776	PKG PLMB WTR HTR SPLY MIXING BOOSTER	1
5	001-700275	CLP HOSE HAS16 SLTD HEX HD SS	2
6A	006-702959	GSKT 2IN KMLCK CPLR STD	1
6B	006-900823	GSKT 2IN KMLCK CPLR SILICONE RBR	1
6C	006-702962	GSKT 2IN KMLCK CPLR THICK	1



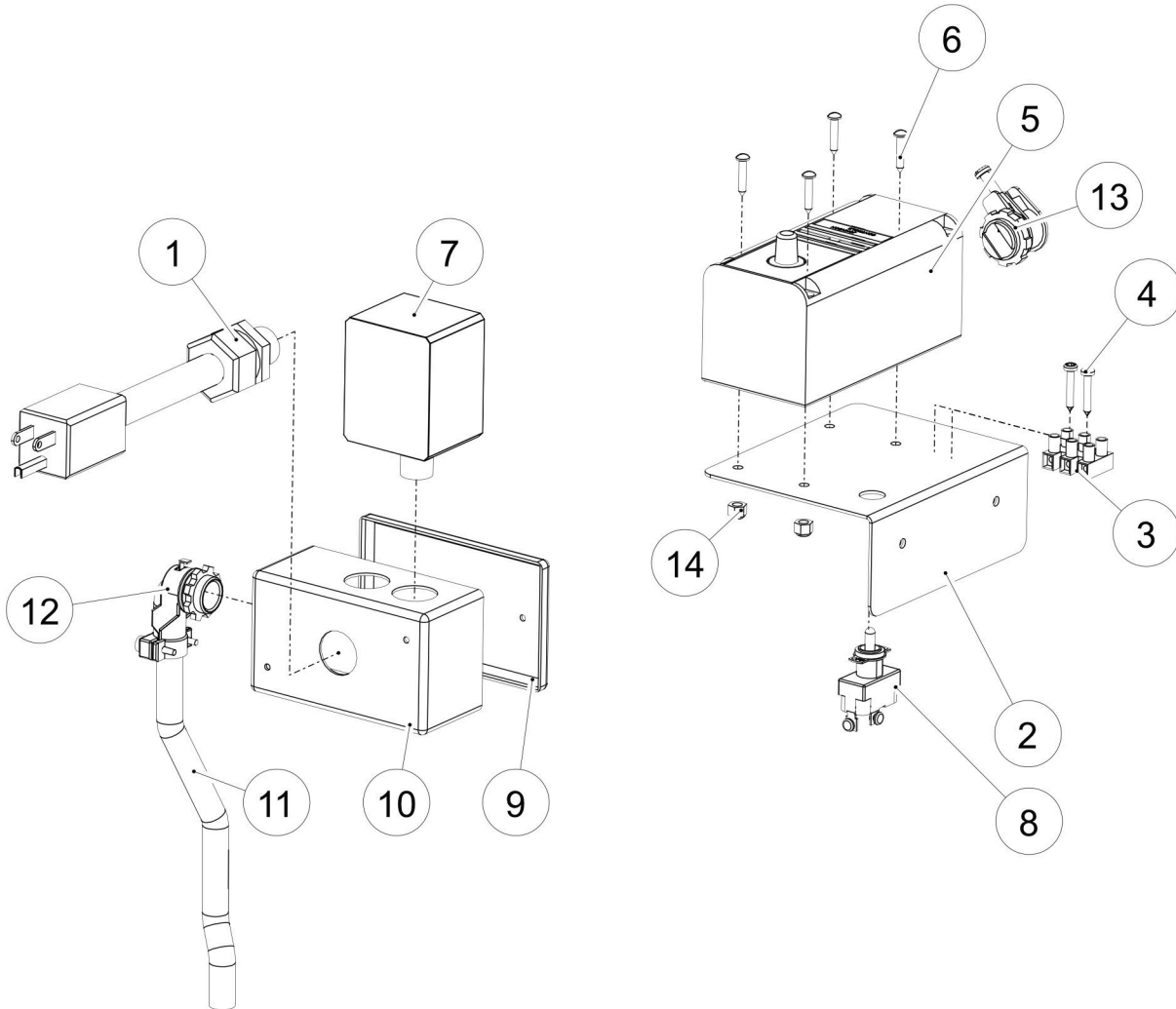




Mixing/Booster  
Return Plumbing

S/N: 1080-01 -  
S/N: Current  
PAGE: 2.1.10

Item No.	Part No.	Description	Qty.
1	018-900777	PKG PLMB WTR HTR RTN MIXING BOOSTER	1
2	005-700122	GAUGE TEMP 1/2MNPT BIMETAL 0-250F	1
3	011-700391	KMLCK 2 PART DP DUST PLUG AL	1
4	011-700279	KMLCK 2 PART B CPLR AL NPTM	1
5	011-701442	VLV BALL 2 FL PT CSA/UL	5
6	011-700390	KMLCK 2 PART DC DUST CAP AL	1
7	011-700278	KMLCK 2 PART F ADPTR AL NPTM	1
8	011-700366	VLV BALL 1 400WOG FL PT BRS CGA NPTF	1
9	011-702153	NIPL COMB 1*1 BRS ADPTR	1
10	001-700275	CLP HOSE HAS16 SLTD HEX HD SS	2
11	013-701100	HOSE 1 EXPLORER AIR 50FT LN	5IN
12A	006-702959	GSKT 2IN KMLCK CPLR STD	1
12B	006-900823	GSKT 2IN KMLCK CPLR SILICONE RBR	1
12C	006-702962	GSKT 2IN KMLCK CPLR THICK	1





**Mixing/Booster**

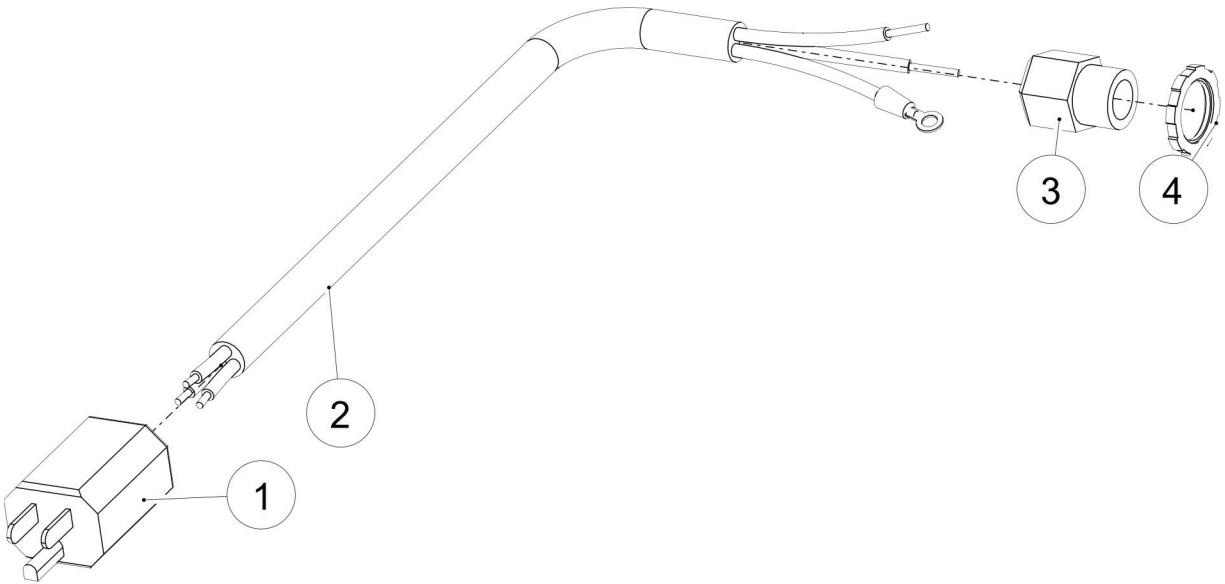
S/N: 1080-01 -

S/N: Current

**Electrical Components**

PAGE: 3.1.2

Item No.	Part No.	Description	Qty.
1		POWER CORD see page 3.1.3	
2	004-702262	BRKT STAT 16GA 4X2X5 R01	1
3	002-702013	TERM STRIP-12POLE	1
4	001-702953	SCRW SH MET #6X3/4 PAN HD	2
5	005-702929	CONT TEMP JOHNSON A350PS-1C -30 TO 130DEG F RNG	1
6	001-701183	SCRW MACH 8-32X3/4 RHTHD	4
7	005-702265	TRNSFMR 20VA 120 V CONDUIT MT	1
8	002-701359	SW TGL SPST 20A 125V SCRW TERM	1
9	002-700698	CVR BOX UTIL 2X4	1
10	002-800031	BOX HANDY 4X2 1/2KO	1
11	002-700802	CABLE SOOW14/3 600V NPRN CABTIRE	8IN
12	002-800025	CONNECTOR 3/8 90DEG BX/FLEX	1
13	002-800026	CONNECTOR 3/8 BX/MND/FLEX	1
14	001-701511	NUT LKG NYL 8-32 UNC PLD	4
		The following components may not be shown	
	005-906611	SNSR TEMP JOHNSON A99BB-200C 6-1/2FT LENGTH Replacement sensor	1





## Mixing/Booster

S/N: 1080-01 -

S/N: Current

## Electrical Components

PAGE: 3.1.4

Item No.	Part No.	Description	Qty.
	<b>018-701249</b>	<b>PKG CORD 14/3X12</b> (Includes 1-4)	<b>1</b>
1	002-700036	PLUG CORD MALE YEL 3PR 120V	1
2	002-700802	CABLE SOW14/3 NPRN CABTIRE	12IN
3	002-700810	CONNECTOR STRN/RLF 1/2 .500-.562 CABLE RNG	1
4	002-701131	LOCKNUT 1/2 STL CONDUIT	1



# Mixing/Booster

S/N: 1080-01 -

S/N: Current

## Decals

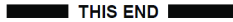
PAGE: 4.1.1

1



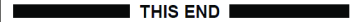
2

CONNECTIONS TO  
WATER HEATER



3

CONNECTIONS TO  
CIRCULATION MANIFOLDS



4

**⚠ WARNING!**  
RISK OF ELECTRIC SHOCK!  
KEEP EXTENSION CORD CONNECTION  
DRY AND OFF THE GROUND.

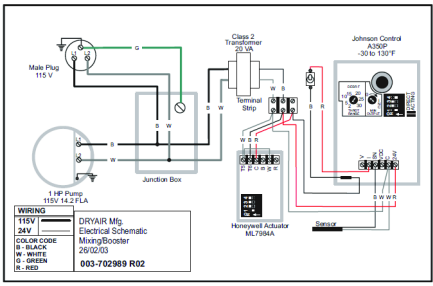
**⚠ ATTENTION!**  
RISQUE DE CHOC ÉLECTRIQUE!  
GARDEZ LE RAPPORT DE RALLONGE  
ÉLECTRIQUE SEC ET HORS DE LA TERRE.

5

PRESSURE/  
FLOW  
BOOST

DUAL  
HEAT  
CONTROL

6



7

**ATTENTION!**  
USE AN APPROPRIATE  
EXTENSION CORD FOR THIS UNIT.  
UTILISER UNE RALLONGE  
APPROPRIÉE POUR CET APPAREIL.

8

**WARNING!**  
RISK OF ELECTRIC SHOCK CAN  
CAUSE INJURY OR DEATH.  
DISCONNECT ALL REMOTE  
ELECTRIC POWER SUPPLIES  
BEFORE SERVICING.

**RISQUE D'ÉLECTROCUTION CAUSE  
DE BLESSURES OU DE MORT:  
DISCONNECT TOUT REMOTE  
ALIMENTATION ÉLECTRIQUE  
AVANT D'ENTRETIEN.**

9

**MIXING/BOOSTER**

**Setup**

**1. Dual Heat Control Function**  
Use these set-up instructions to provide dual temperature control for each circulation system.  
1. For maximum efficiency, the unit should be installed in a well-ventilated area.  
2. The "Temperature" selector on the circulation manifold should be set to "Heat" or "Thaw".  
3. The "Temperature" selector on the "Water Heater" should be set to "Heat" or "Thaw".  
4. The "Temperature" selector on the "Circulation Manifold" should be set to "Heat" or "Thaw".  
5. The "Temperature" selector on the "Water Heater" should be set to "Heat" or "Thaw".  
6. The "Temperature" selector on the "Circulation Manifold" should be set to "Heat" or "Thaw".  
7. The "Temperature" selector on the "Water Heater" should be set to "Heat" or "Thaw".  
8. The "Temperature" selector on the "Circulation Manifold" should be set to "Heat" or "Thaw".  
9. The "Temperature" selector on the "Water Heater" should be set to "Heat" or "Thaw".  
10. The "Temperature" selector on the "Circulation Manifold" should be set to "Heat" or "Thaw".  
11. The "Temperature" selector on the "Water Heater" should be set to "Heat" or "Thaw".  
12. The "Temperature" selector on the "Circulation Manifold" should be set to "Heat" or "Thaw".  
13. The "Temperature" selector on the "Water Heater" should be set to "Heat" or "Thaw".  
14. The "Temperature" selector on the "Circulation Manifold" should be set to "Heat" or "Thaw".  
15. The "Temperature" selector on the "Water Heater" should be set to "Heat" or "Thaw".  
16. The "Temperature" selector on the "Circulation Manifold" should be set to "Heat" or "Thaw".  
17. The "Temperature" selector on the "Water Heater" should be set to "Heat" or "Thaw".  
18. The "Temperature" selector on the "Circulation Manifold" should be set to "Heat" or "Thaw".  
19. The "Temperature" selector on the "Water Heater" should be set to "Heat" or "Thaw".  
20. The "Temperature" selector on the "Circulation Manifold" should be set to "Heat" or "Thaw".

**2. Pressure & Flow Boost Function**  
Use these set-up instructions to boost flow and pressure for the primary circulation system.  
1. For maximum efficiency, the unit should be installed in a well-ventilated area.  
2. The "Pressure & Flow Boost" selector on the circulation manifold should be set to "On".  
3. The "Pressure & Flow Boost" selector on the "Water Heater" should be set to "On".  
4. The "Pressure & Flow Boost" selector on the "Circulation Manifold" should be set to "On".  
5. The "Pressure & Flow Boost" selector on the "Water Heater" should be set to "On".  
6. The "Pressure & Flow Boost" selector on the "Circulation Manifold" should be set to "On".  
7. The "Pressure & Flow Boost" selector on the "Water Heater" should be set to "On".  
8. The "Pressure & Flow Boost" selector on the "Circulation Manifold" should be set to "On".  
9. The "Pressure & Flow Boost" selector on the "Water Heater" should be set to "On".  
10. The "Pressure & Flow Boost" selector on the "Circulation Manifold" should be set to "On".  
11. The "Pressure & Flow Boost" selector on the "Water Heater" should be set to "On".  
12. The "Pressure & Flow Boost" selector on the "Circulation Manifold" should be set to "On".  
13. The "Pressure & Flow Boost" selector on the "Water Heater" should be set to "On".  
14. The "Pressure & Flow Boost" selector on the "Circulation Manifold" should be set to "On".  
15. The "Pressure & Flow Boost" selector on the "Water Heater" should be set to "On".  
16. The "Pressure & Flow Boost" selector on the "Circulation Manifold" should be set to "On".  
17. The "Pressure & Flow Boost" selector on the "Water Heater" should be set to "On".  
18. The "Pressure & Flow Boost" selector on the "Circulation Manifold" should be set to "On".  
19. The "Pressure & Flow Boost" selector on the "Water Heater" should be set to "On".  
20. The "Pressure & Flow Boost" selector on the "Circulation Manifold" should be set to "On".

**Start Up**

1. Check all electrical connections and ensure the "Temperature" selector is set to "Heat" or "Thaw".  
2. Check all water connections and ensure the "Pressure & Flow Boost" selector is set to "On".  
3. Turn on the power to the unit.  
4. The unit will start up and the "Temperature" selector will be set to "Heat" or "Thaw".  
5. The unit will start up and the "Pressure & Flow Boost" selector will be set to "On".  
6. The unit will start up and the "Temperature" selector will be set to "Heat" or "Thaw".  
7. The unit will start up and the "Pressure & Flow Boost" selector will be set to "On".  
8. The unit will start up and the "Temperature" selector will be set to "Heat" or "Thaw".  
9. The unit will start up and the "Pressure & Flow Boost" selector will be set to "On".  
10. The unit will start up and the "Temperature" selector will be set to "Heat" or "Thaw".  
11. The unit will start up and the "Pressure & Flow Boost" selector will be set to "On".  
12. The unit will start up and the "Temperature" selector will be set to "Heat" or "Thaw".  
13. The unit will start up and the "Pressure & Flow Boost" selector will be set to "On".  
14. The unit will start up and the "Temperature" selector will be set to "Heat" or "Thaw".  
15. The unit will start up and the "Pressure & Flow Boost" selector will be set to "On".  
16. The unit will start up and the "Temperature" selector will be set to "Heat" or "Thaw".  
17. The unit will start up and the "Pressure & Flow Boost" selector will be set to "On".  
18. The unit will start up and the "Temperature" selector will be set to "Heat" or "Thaw".  
19. The unit will start up and the "Pressure & Flow Boost" selector will be set to "On".  
20. The unit will start up and the "Temperature" selector will be set to "Heat" or "Thaw".

10



11

www.dryair.ca

12



13



Item No.	Part No.	Description	Qty.
1	003-701195	DECAL DRYAIR 12X2 05 BLUE VINYL R1	1
2	003-702277	DECAL CONN WTR HTR VYNL	1
3	003-702278	DECAL CONN CIRC VYNL	1
4	003-903355	DECAL WARNING EXT CORD SHOCK	1
5	003-702971	DECAL FCTN SEL MIX/BOOST	1
6	003-702989	DECAL ELEC SCHEM MIX/BOOST (AS OF PS1133)	1
7	003-903397	DECAL EXT CORD USE	1
8	003-903845	DECAL WARNING RISK OF SHOCK	1
9	003-702990	DECAL OPR INSTR MIX/BOOST (AS OF PS1133)	1
10	003-906390	DECAL DRYAIR HEAT DRY THAW CURE 28X6-7/8	1
11	003-906392	DECAL WWW.DRYAIR.CA 15X1.77 NEW BLUE	1
12	003-906891	DECAL MB100 14L	2
13	003-906757	DECAL QR OP MAN MB100	1





---

**MB100 Mixing/Booster**  
S/N: 1080-01 - Current

**Part No. 023-905831**  
**Rev. 01 05-10-2023**