



Heat **Dry** **Thaw** **Cure**

PARTS CATALOGUE

Distribution Manifolds

Custom T's

Adapters

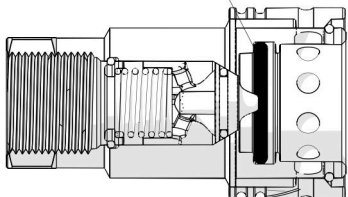
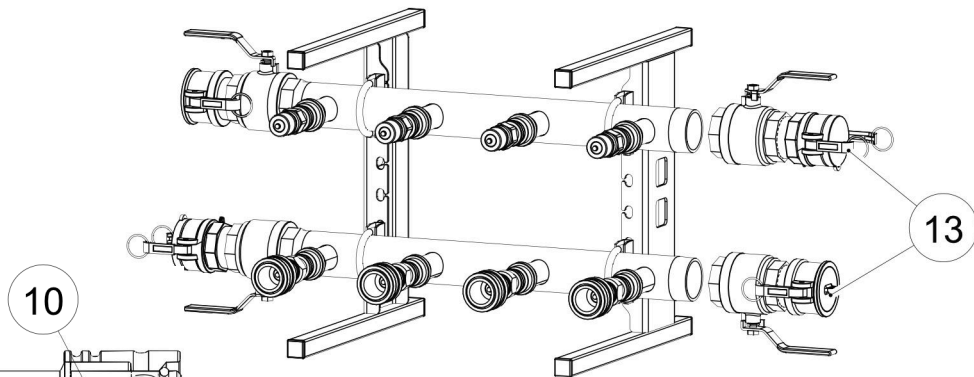
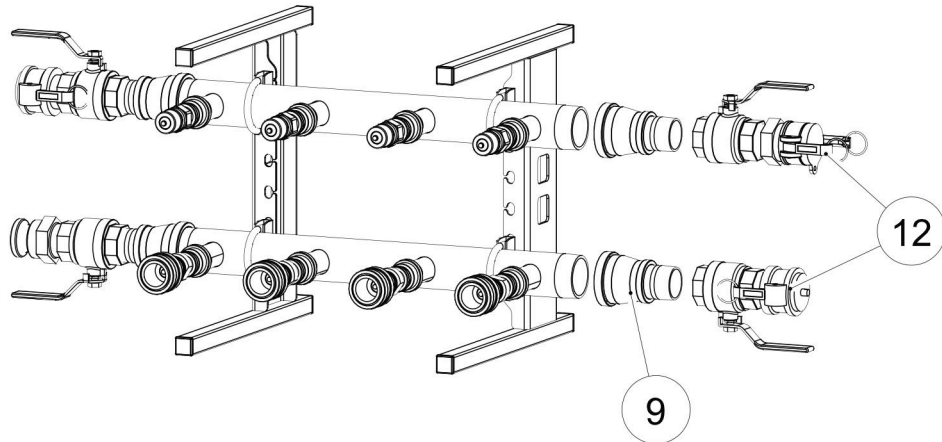
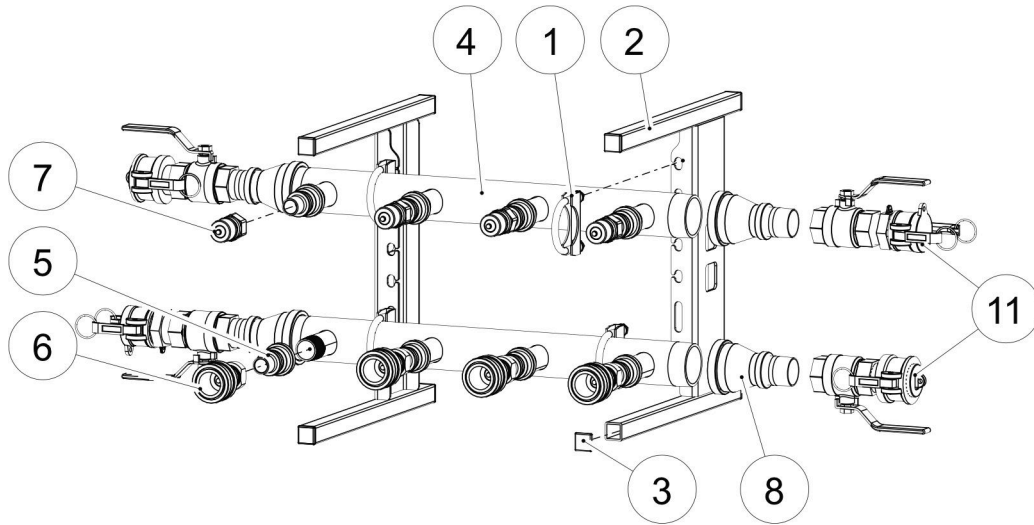
DRYAIR MANUFACTURING CORP.
PO BOX 126, 400 SERVICE ROAD
ST. BRIEUX, SK S0K 3V0
CANADA
www.dryair.ca

Tel: 1 (306) 275-4848
Toll-Free: 1 (888) 750-1700
Fax: 1 (306) 275-4664
Email: parts@dryair.ca



Distribution Manifolds Table of Contents

4 Port, 3/4" Quick Couplers	1.1.1
4 Port, 1" Quick Couplers	1.1.3
6 Port, 3/4" Quick Couplers	1.1.5
6 Port, 1" Quick Couplers	1.1.7
8 Port, 3/4" Quick Couplers	1.1.9
8 Port, 1" Quick Couplers	1.1.11
9 Port, 3/4" Couplers	1.1.13
9 Port, 1 Quick Couplers	1.1.15
10 Port, 3/4" Quick Couplers	1.1.17
10 Port, 1" Quick Couplers	1.1.19
12 Port, 3/4" Quick Couplers	1.1.21
12 Port, 1" Quick Couplers	1.1.23
Custom T's, 3/4" Quick Couplers.....	2.1.1
Custom T's, 1" Quick Couplers.....	2.1.3
1 1/4" Kamlock Package	3.1.1
1 1/2" Kamlock Package	3.1.3
2" Kamlock Package	3.1.5
Kamlock Adapters	4.1.1

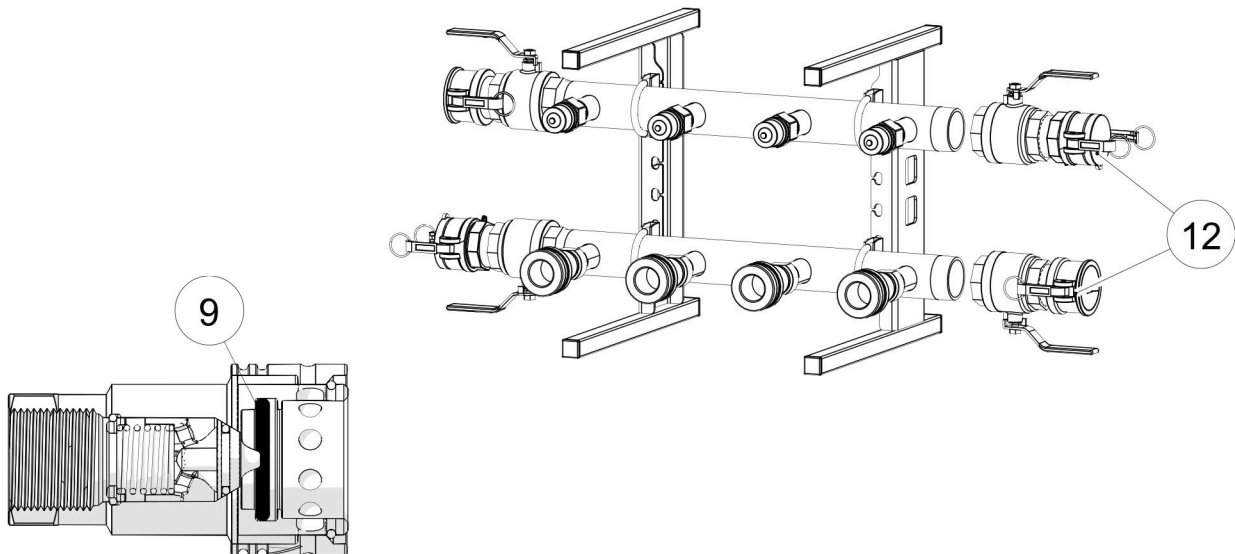
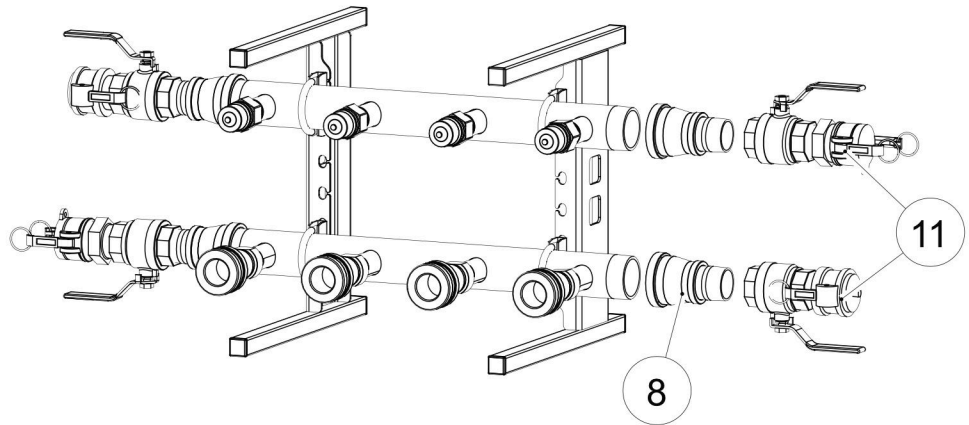
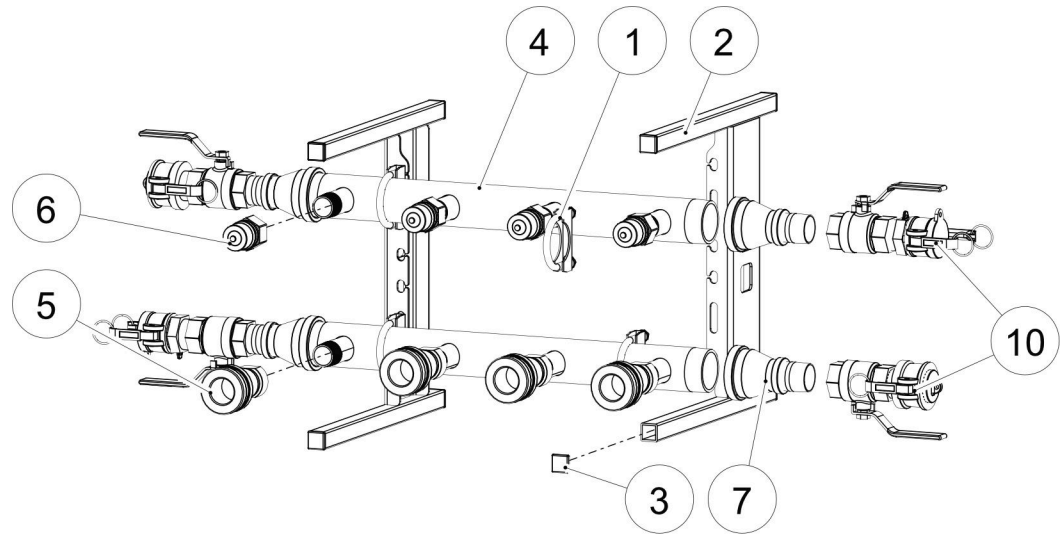




Manifolds 4 Port, 3/4" Quick Couplers

PAGE: 1.1.2

Item No.	Part No.	Description	Qty.
1	001-700143	CLP MUF 2-1/4 3/8UNC PLD	4 PER
2	018-702178	FRAME MANF R01	2 PER
3	016-700718	CAP PLSTC BLK 1X1X100W TBG	8 PER
4	018-701246	MANF 24 C/W 4 NIPL	2 PER
5	018-900668	PKG RDC CPLR/CLOSE NIPL 1F X 3/4M	8 PER
6	011-701518	QC CPLR 3/4 BRS NPTF	4 PER
7	011-701517	QC NIPL 3/4 BRS NPTF	4 PER
8	018-900669	PKG RDC CPLR/CLOSE NIPL 2F X 1-1/4M <small>000-702675 ONLY</small>	4
9	018-900667	PKG RDC CPLR/CLOSE NIPL 2F X 1-1/2M <small>000-702981 ONLY</small>	4
10A	006-702958	O-RING 3/4IN QC CPLR (.101)	1
10B	006-704311	O-RING 3/4IN QC CPLR (.141)	1
11		1 1/4" KAMLOCK PACKAGE see page 3.1.1	
12		1 1/2" KAMLOCK PACKAGE see page 3.1.3	
13		2 " KAMLOCK PACKAGE see page 3.1.5	

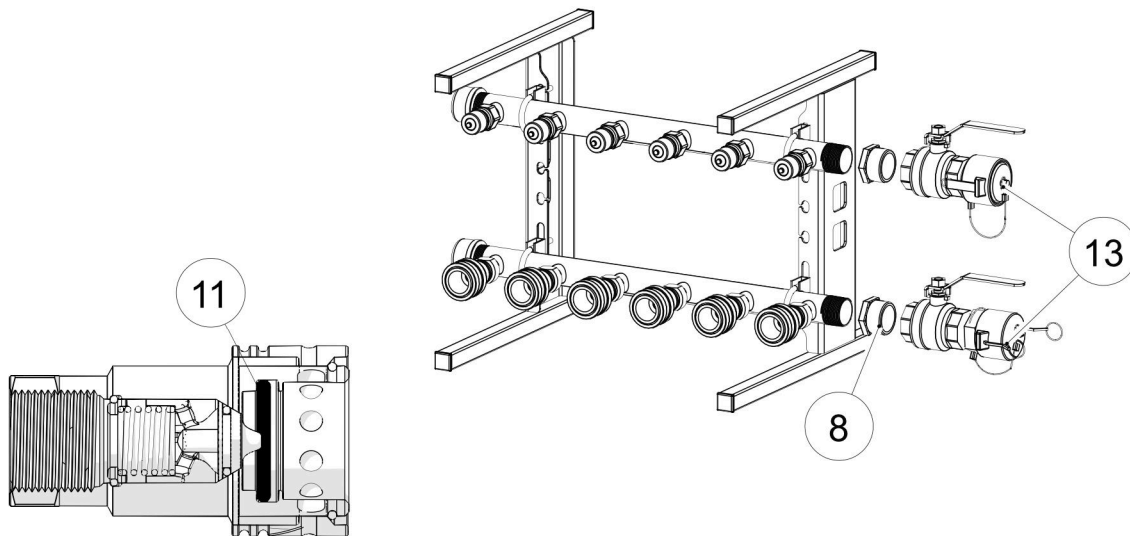
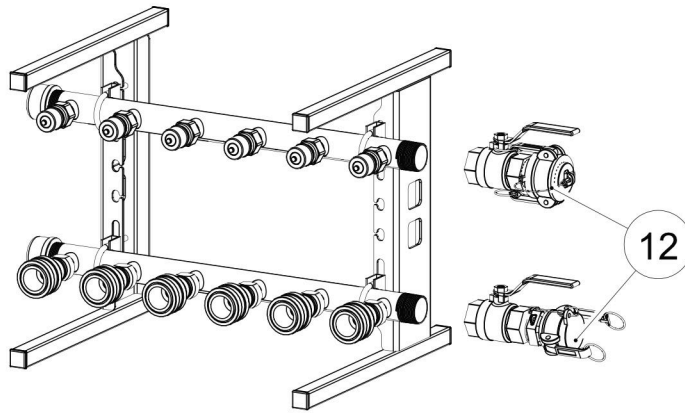
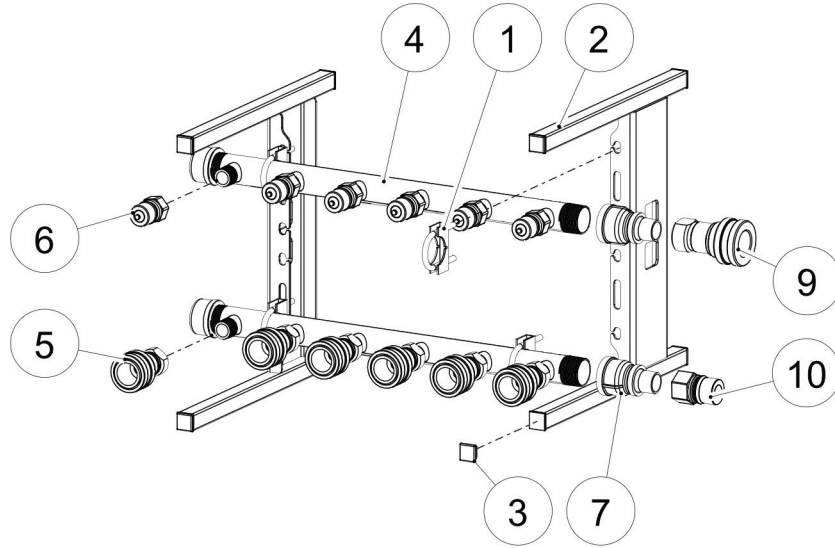




Manifolds 4 Port, 1" Quick Couplers

PAGE: 1.1.4

Item No.	Part No.	Description	Qty.
1	001-700143	CLP MUF 2-1/4 3/8UNC PLD	4 PER
2	018-702178	FRAME MANF R01	2 PER
3	016-700718	CAP PLSTC BLK 1X1X100W TBG	8 PER
4	018-701246	MANF 24 C/W 4 NIPL	2 PER
5	011-701374	QC CPLR BRS 1 60 SERIES	4 PER
6	011-701375	QC NIPL BRS 1 60 SERIES	4 PER
7	018-900669	PKG RDC CPLR/CLOSE NIPL 2F X 1-1/4M <small>000-702680 ONLY</small>	4
8	018-900667	PKG RDC CPLR/CLOSE NIPL 2F X 1-1/2M <small>000-702982 ONLY</small>	4
9	006-702957	O-RING 1IN QC CPLR (.141)	1
10		1 1/4" KAMLOCK PACKAGE see page 3.1.1	
11		1 1/2" KAMLOCK PACKAGE see page 3.1.3	
12		2 " KAMLOCK PACKAGE see page 3.1.5	

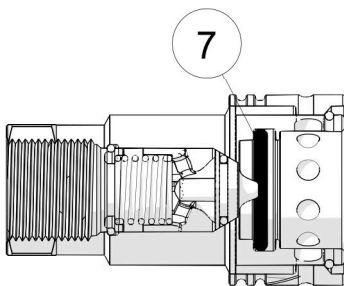
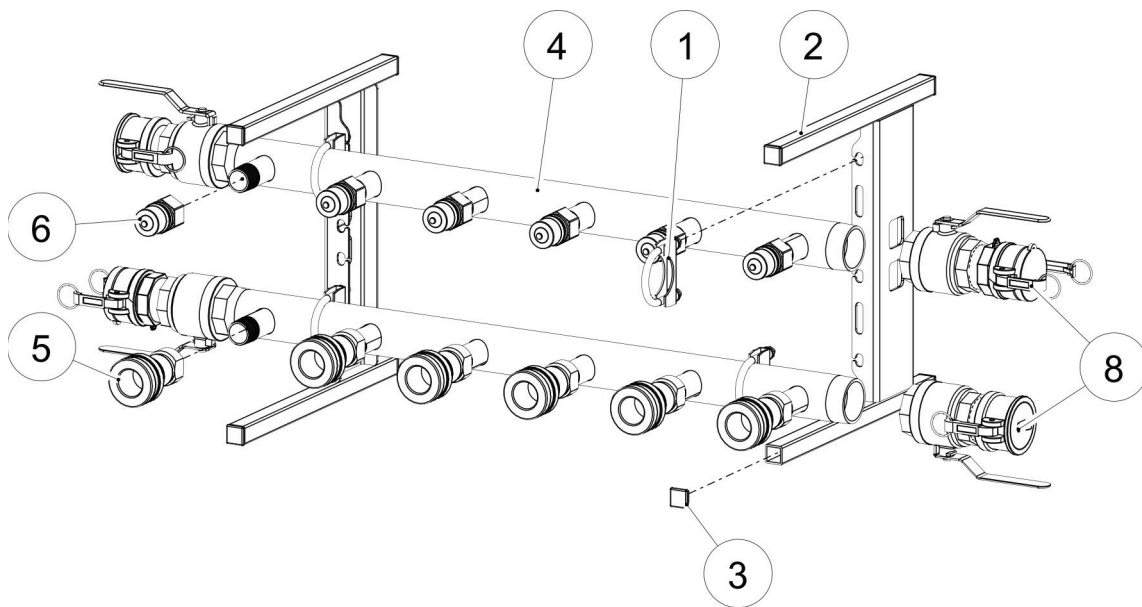




Manifolds 6 Port, 3/4" Quick Couplers

PAGE: 1.1.6

Item No.	Part No.	Description	Qty.
1	001-702632	CLP MUF 1-1/2 5/16UNC PLD	4 PER
2	018-702178	FRAME MANF R01	2 PER
3	016-700718	CAP PLSTC BLK 1X1X100W TBG	8 PER
4	004-703541	MANF 24IN C/W 6 NIPL & 1-1/4 CAP	2 PER
5	011-701518	QC CPLR 3/4 BRS NPTF	6 PER
6	011-701517	QC NIPL 3/4 BRS NPTF	6 PER
7	018-703547	PKG CPLR 1-1/4X1 X NIPL 1 <small>000-906404 ONLY</small>	2
8	011-703476	BSHG RDCG 1-1/2X1-1/4 BRS MXF NPT <small>000-906411 ONLY</small>	2
9	011-701374	QC CPLR BRS 1 60 SERIES	1
10	011-701375	QC NIPL BRS 1 60 SERIES	1
11A	006-702958	O-RING 3/4IN QC CPLR (.101)	1
11B	006-704311	O-RING 3/4IN QC CPLR (.141)	1
12		1 1/4" KAMLOCK PACKAGE see page 3.1.1	
13		1 1/2" KAMLOCK PACKAGE see page 3.1.3	

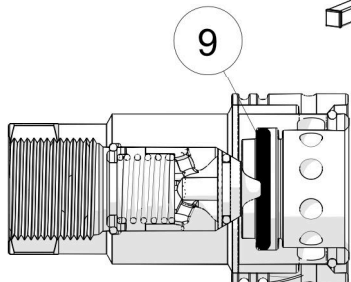
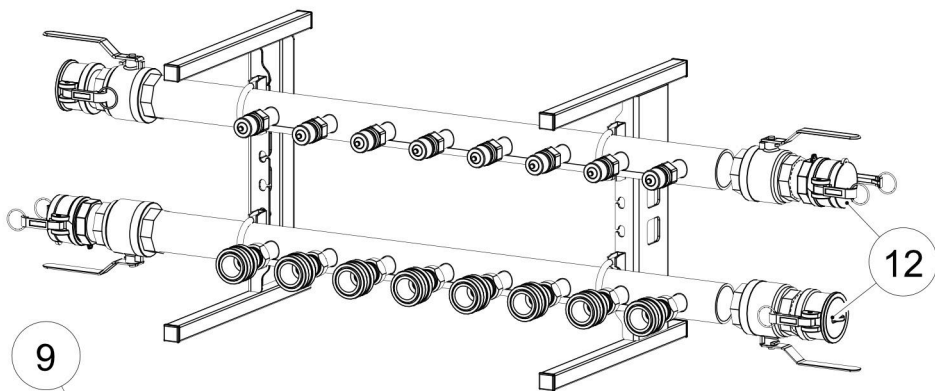
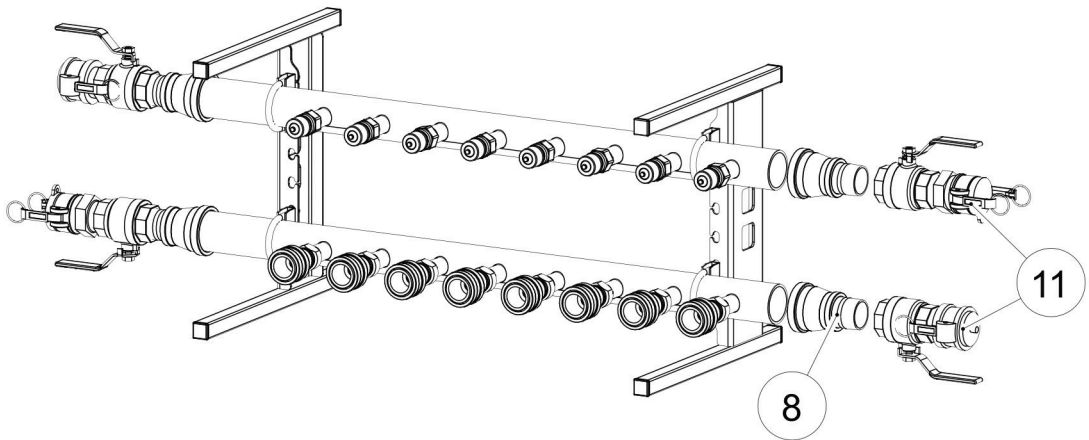
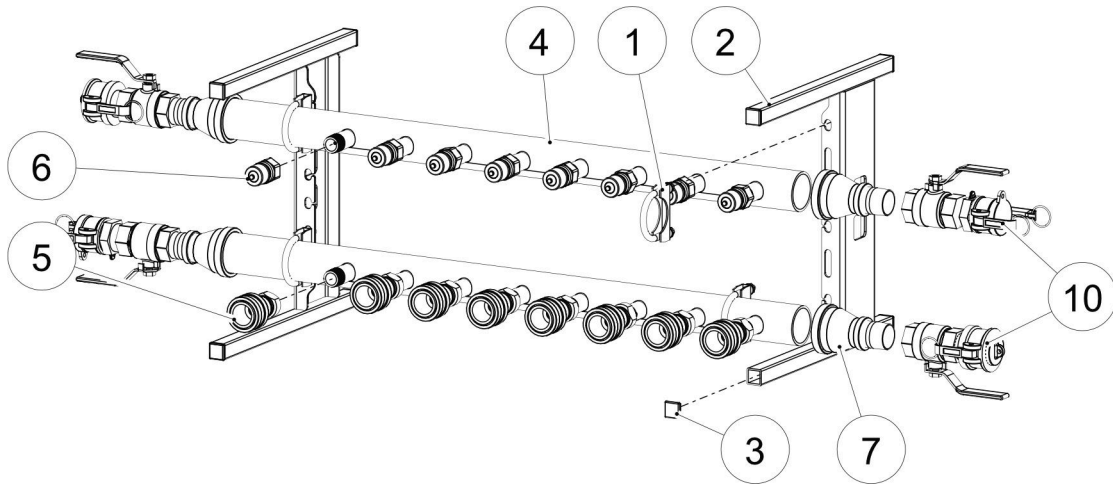




Manifolds 6 Port, 1" Quick Couplers

PAGE: 1.1.8

Item No.	Part No.	Description	Qty.
1	001-700143	CLP MUF 2-1/4 3/8UNC PLD	4 PER
2	018-702178	FRAME MANF R01	2 PER
3	016-700718	CAP PLSTC BLK 1X1X100W TBG	8 PER
4	004-903798	MANF 2X37 CW NIPL 6-PORT	2 PER
5	011-701374	QC CPLR BRS 1 60 SERIES	6 PER
6	011-701375	QC NIPL BRS 1 60 SERIES	6 PER
7	006-702957	O-RING 1IN QC CPLR (.141)	1
8		2" KAMLOCK PACKAGE see page 3.1.5	

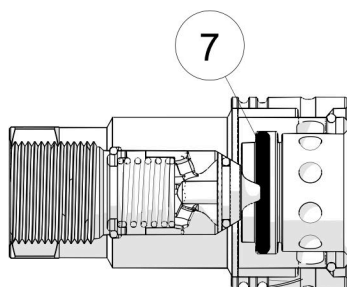
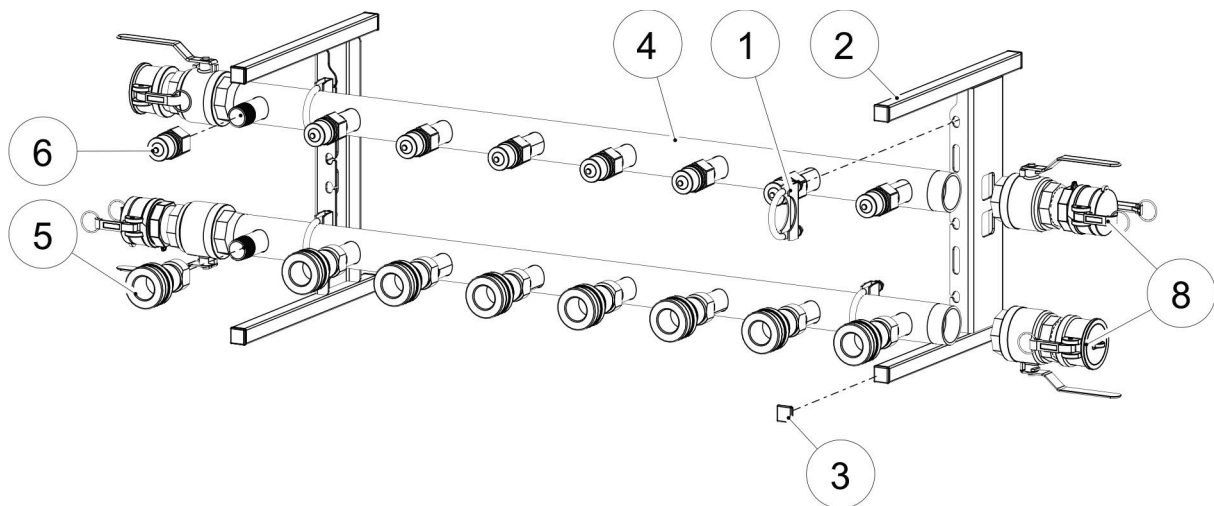




Manifolds 8 Port, 3/4" Quick Couplers

PAGE: 1.1.10

Item No.	Part No.	Description	Qty.
1	001-700143	CLP MUF 2-1/4 3/8UNC PLD	4 PER
2	018-702178	FRAME MANF R01	2 PER
3	016-700718	CAP PLSTC BLK 1X1X100W TBG	8 PER
4	010-702182	MANF 39-1/2L CW 8 NIPL	2 PER
5	011-701518	QC CPLR 3/4 BRS NPTF	8 PER
6	011-701517	QC NIPL 3/4 BRS NPTF	8 PER
7	018-900669	PKG RDC CPLR/CLOSE NIPL 2F X 1-1/4M <small>000-702685 ONLY</small>	4
8	018-900667	PKG RDC CPLR/CLOSE NIPL 2F X 1-1/2M <small>000-702983 ONLY</small>	4
9A	006-702958	O-RING 3/4IN QC CPLR (.101)	1
9B	006-704311	O-RING 3/4IN QC CPLR (.141)	1
10		1 1/4" KAMLOCK PACKAGE see page 3.1.1	
11		1 1/2" KAMLOCK PACKAGE see page 3.1.3	
12		2" KAMLOCK PACKAGE see page 3.1.5	

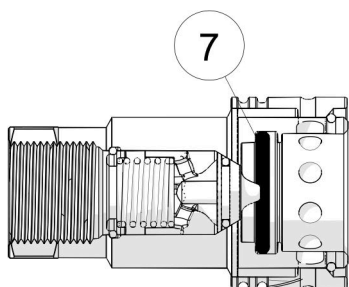
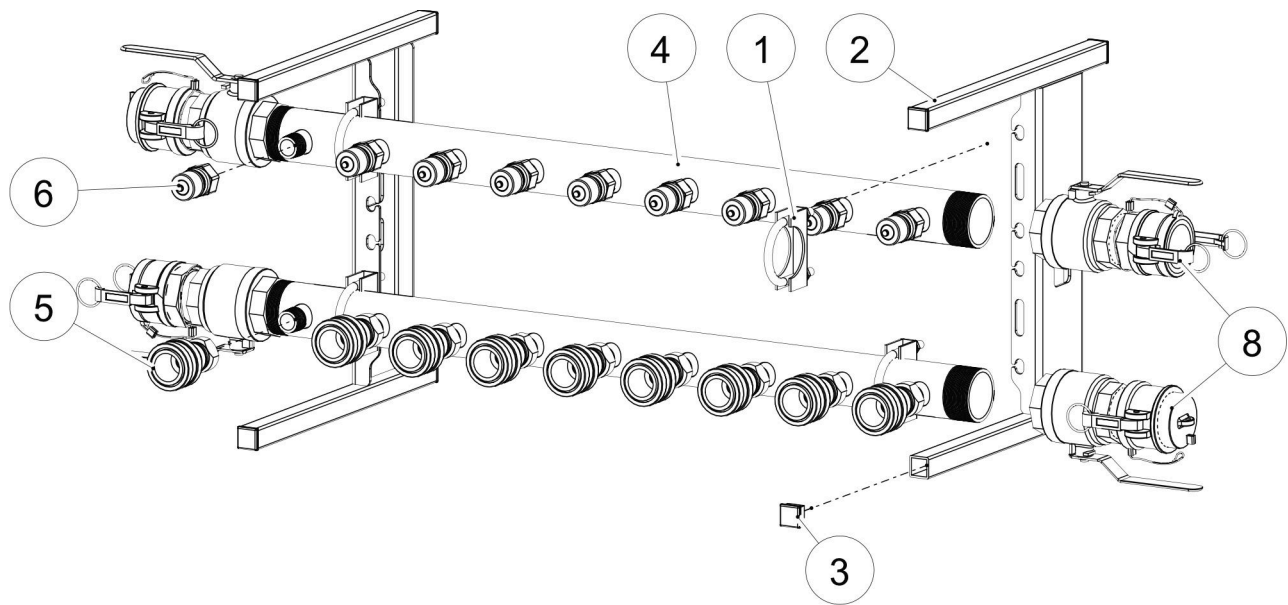




Manifolds 8 Port, 1" Quick Couplers

PAGE: 1.1.12

Item No.	Part No.	Description	Qty.
1	001-700143	CLP MUF 2-1/4 3/8UNC PLD	4 PER
2	018-702178	FRAME MANF R01	2 PER
3	016-700718	CAP PLSTC BLK 1X1X100W TBG	8 PER
4	004-904800	MANF 2X49-5/8L CW NIPL 8-PORT	2 PER
5	011-701374	QC CPLR BRS 1 60 SERIES	8 PER
6	011-701375	QC NIPL BRS 1 60 SERIES	8 PER
7	006-704311	O-RING 3/4IN QC CPLR (.141)	1
8		2" KAMLOCK PACKAGE see page 3.1.5	

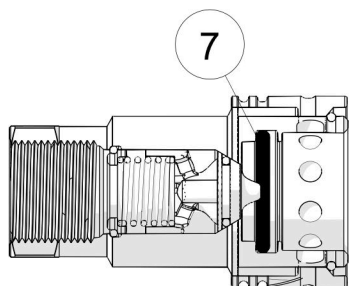
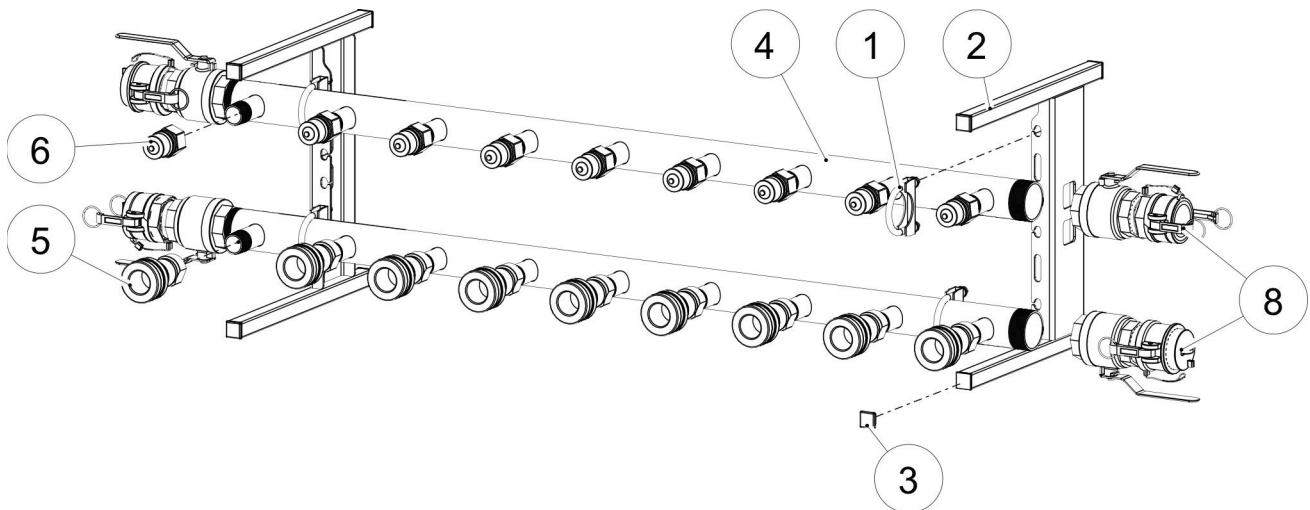




Manifolds 9 Port, 3/4" Couplers

PAGE: 1.1.14

Item No.	Part No.	Description	Qty.
1	001-700143	CLP MUF 2-1/4 3/8UNC PLD	4 PER
2	018-702178	FRAME MANF R01	2 PER
3	016-700718	CAP PLSTC BLK 1X1X100W TBG	8 PER
4	004-906465	MANF 2X37 CW 3/4NIPL 9-PORT	2 PER
5	011-701518	QC CPLR 3/4 BRS NPTF	9 PER
6	011-701517	QC NIPL 3/4 BRS NPTF	9 PER
7A	006-702958	O-RING 3/4IN QC CPLR (.101)	1
7B	006-704311	O-RING 3/4IN QC CPLR (.141)	1
8		2" KAMLOCK PACKAGE see page 3.1.5	

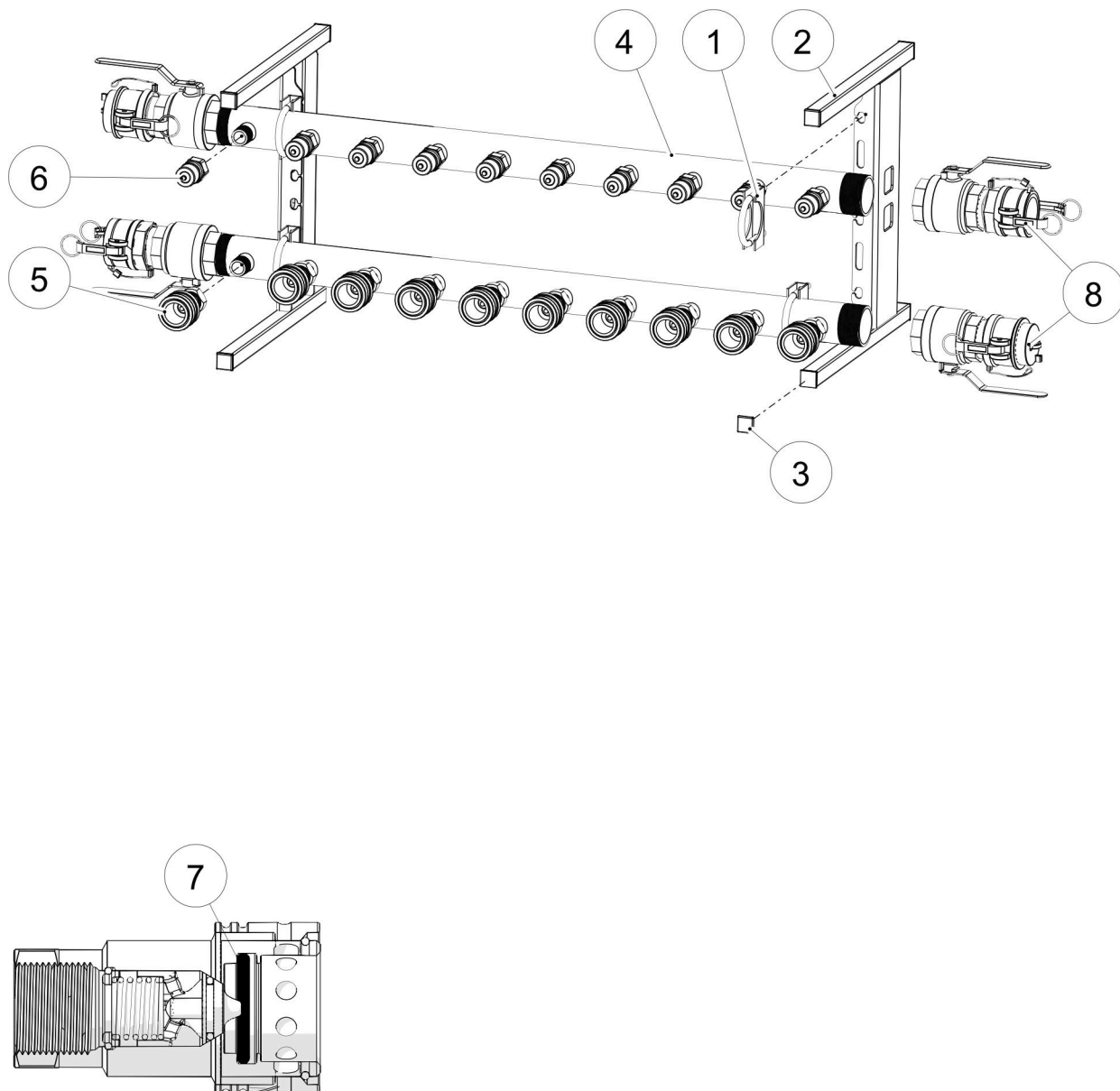




Manifolds 9 Port, 1 Quick Couplers

PAGE: 1.1.16

Item No.	Part No.	Description	Qty.
1	001-700143	CLP MUF 2-1/4 3/8UNC PLD	4 PER
2	018-702178	FRAME MANF R01	2 PER
3	016-700718	CAP PLSTC BLK 1X1X100W TBG	8 PER
4	004-906475	MANF 2X56 CW 1NIPL 9-PORT	2 PER
5	011-701374	QC CPLR BRS 1 60 SERIES	9 PER
6	011-701517	QC NIPL 3/4 BRS NPTF	9 PER
7	006-704311	O-RING 3/4IN QC CPLR (.141)	1
8		2" KAMLOCK PACKAGE see page 3.1.5	

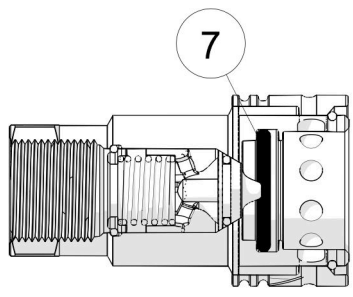
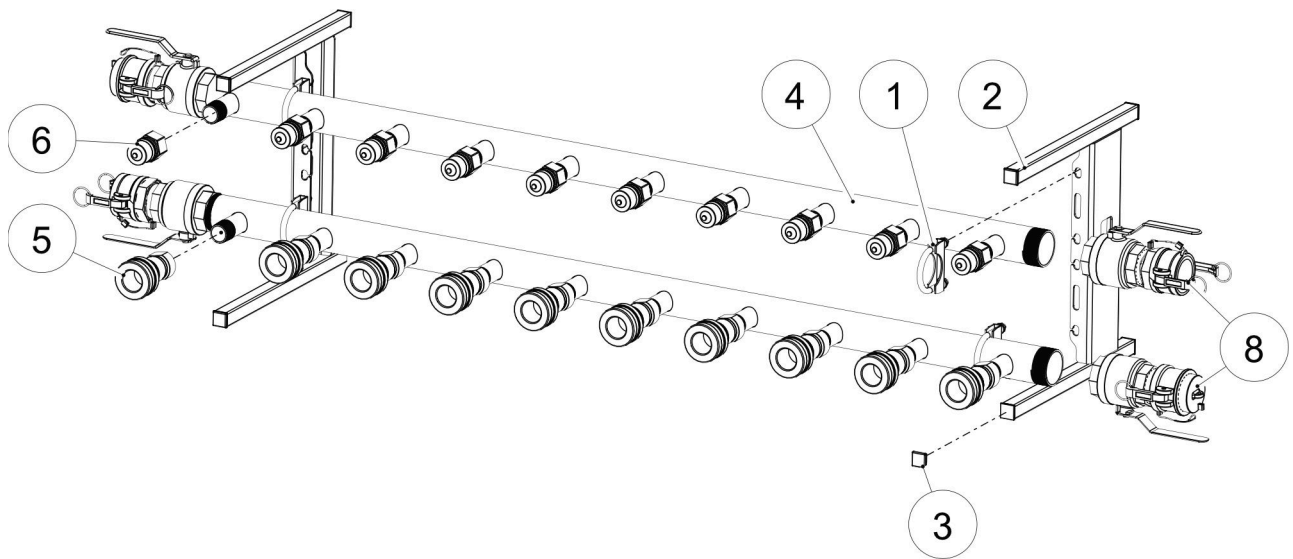




Manifolds 10 Port, 3/4" Quick Couplers

PAGE: 1.1.18

Item No.	Part No.	Description	Qty.
1	001-700143	CLP MUF 2-1/4 3/8UNC PLD	4 PER
2	018-702178	FRAME MANF R01	2 PER
3	016-700718	CAP PLSTC BLK 1X1X100W TBG	8 PER
4	004-906470	MANF 2X41 CW 3/4 NIPL 10-PORT	2 PER
5	011-701518	QC CPLR 3/4 BRS NPTF	10 PER
6	011-701517	QC NIPL 3/4 BRS NPTF	10 PER
7A	006-702958	O-RING 3/4IN QC CPLR (.101)	1
7B	006-704311	O-RING 3/4IN QC CPLR (.141)	1
8		2" KAMLOCK PACKAGE see page 3.1.5	

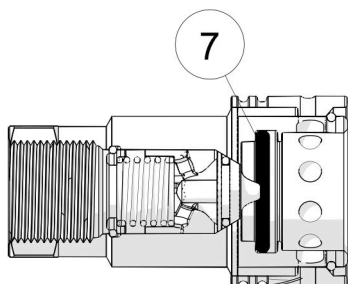
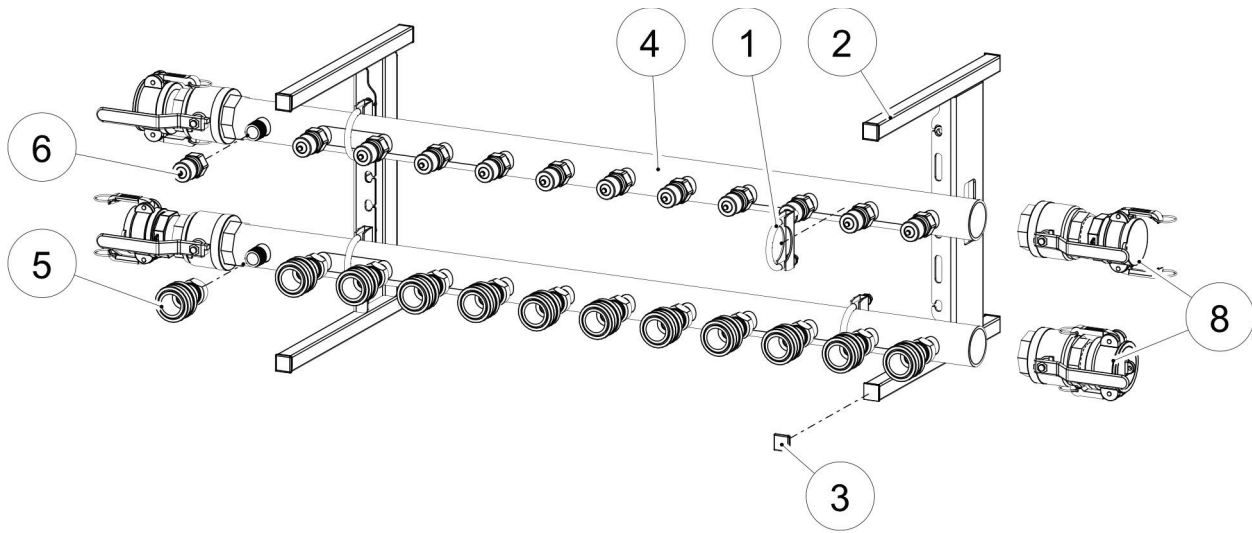




Manifolds 10 Port, 1" Quick Couplers

PAGE: 1.1.20

Item No.	Part No.	Description	Qty.
1	001-700143	CLP MUF 2-1/4 3/8UNC PLD	4 PER
2	018-702178	FRAME MANF R01	2 PER
3	016-700718	CAP PLSTC BLK 1X1X100W TBG	8 PER
4	004-906480	MANF 2X63 CW 1 NIPL 10-PORT	2 PER
5	011-701374	QC CPLR BRS 1 60 SERIES	10 PER
6	011-701375	QC NIPL BRS 1 60 SERIES	10 PER
7	006-704311	O-RING 3/4IN QC CPLR (.141)	1
8		2" KAMLOCK PACKAGE see page 3.1.5	

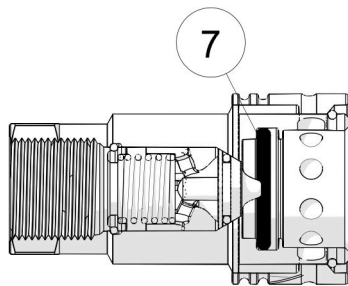
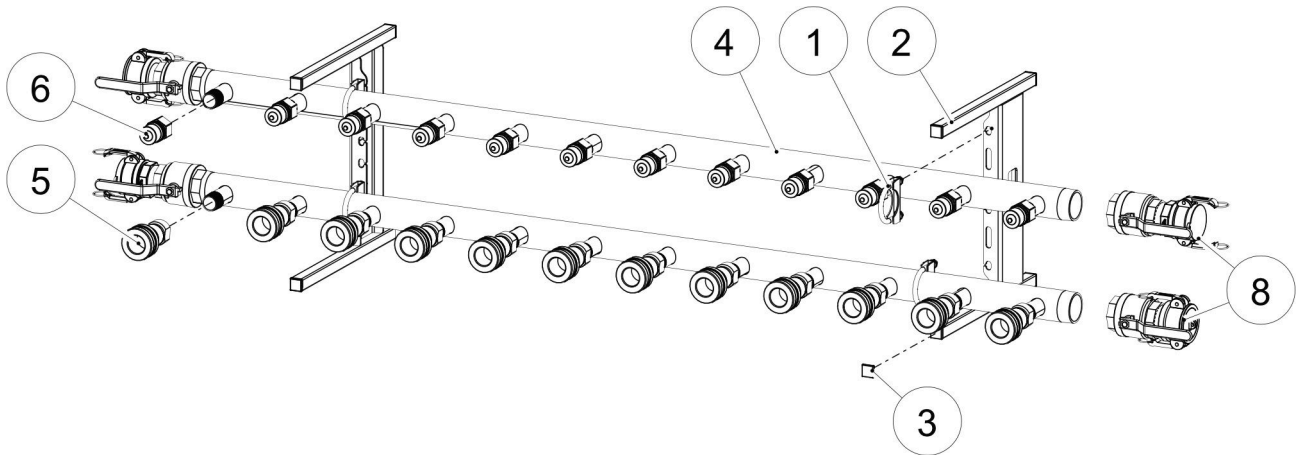




Manifolds 12 Port, 3/4" Quick Couplers

PAGE: 1.1.22

Item No.	Part No.	Description	Qty.
1	001-700143	CLP MUF 2-1/4 3/8UNC PLD	4 PER
2	018-702178	FRAME MANF R01	2 PER
3	016-700718	CAP PLSTC BLK 1X1X100W TBG	8 PER
4	004-905784	MFLD 2X49 CW 3/4 NIPL 12-PORT	2 PER
5	011-701518	QC CPLR 3/4 BRS NPTF	12 PER
6	011-701517	QC NIPL 3/4 BRS NPTF	12 PER
7A	006-702958	O-RING 3/4IN QC CPLR (.101)	1
7B	006-704311	O-RING 3/4IN QC CPLR (.141)	1
8		2" KAMLOCK PACKAGE see page 3.1.5	

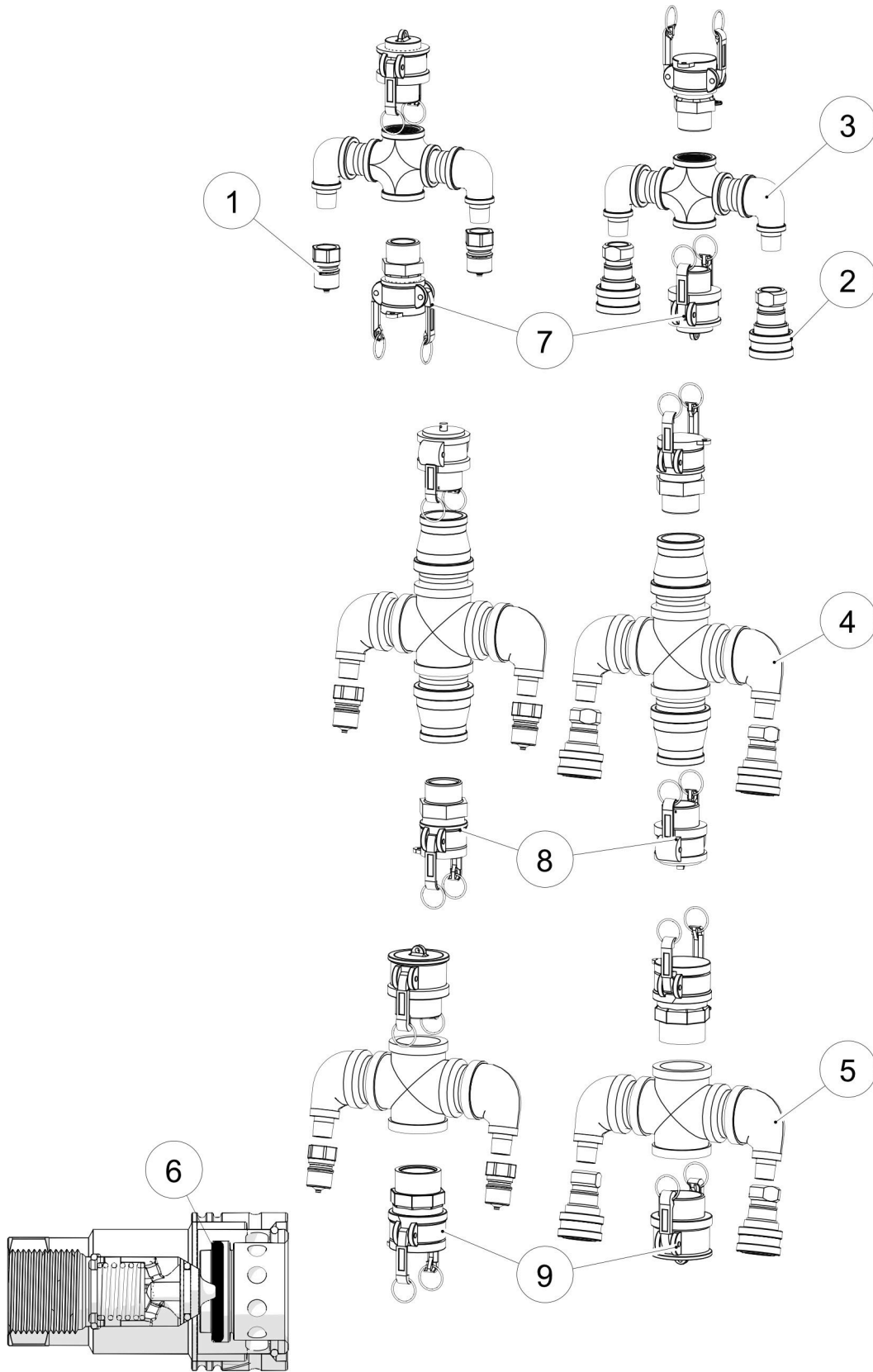




Manifolds 12 Port, 1" Quick Couplers

PAGE: 1.1.24

Item No.	Part No.	Description	Qty.
1	001-700143	CLP MUF 2-1/4 3/8UNC PLD	4 PER
2	018-702178	FRAME MANF R01	2 PER
3	016-700718	CAP PLSTC BLK 1X1X100W TBG	8 PER
4	004-905699	MFLD 2IN 74-7/8L CW 1IN NIPL 12-PORT	2 PER
5	011-701374	QC CPLR BRS 1 60 SERIES	12 PER
6	011-701375	QC NIPL BRS 1 60 SERIES	12 PER
7	006-702957	O-RING 1IN QC CPLR (.141)	1
8		2" KAMLOCK PACKAGE see page 3.1.5	

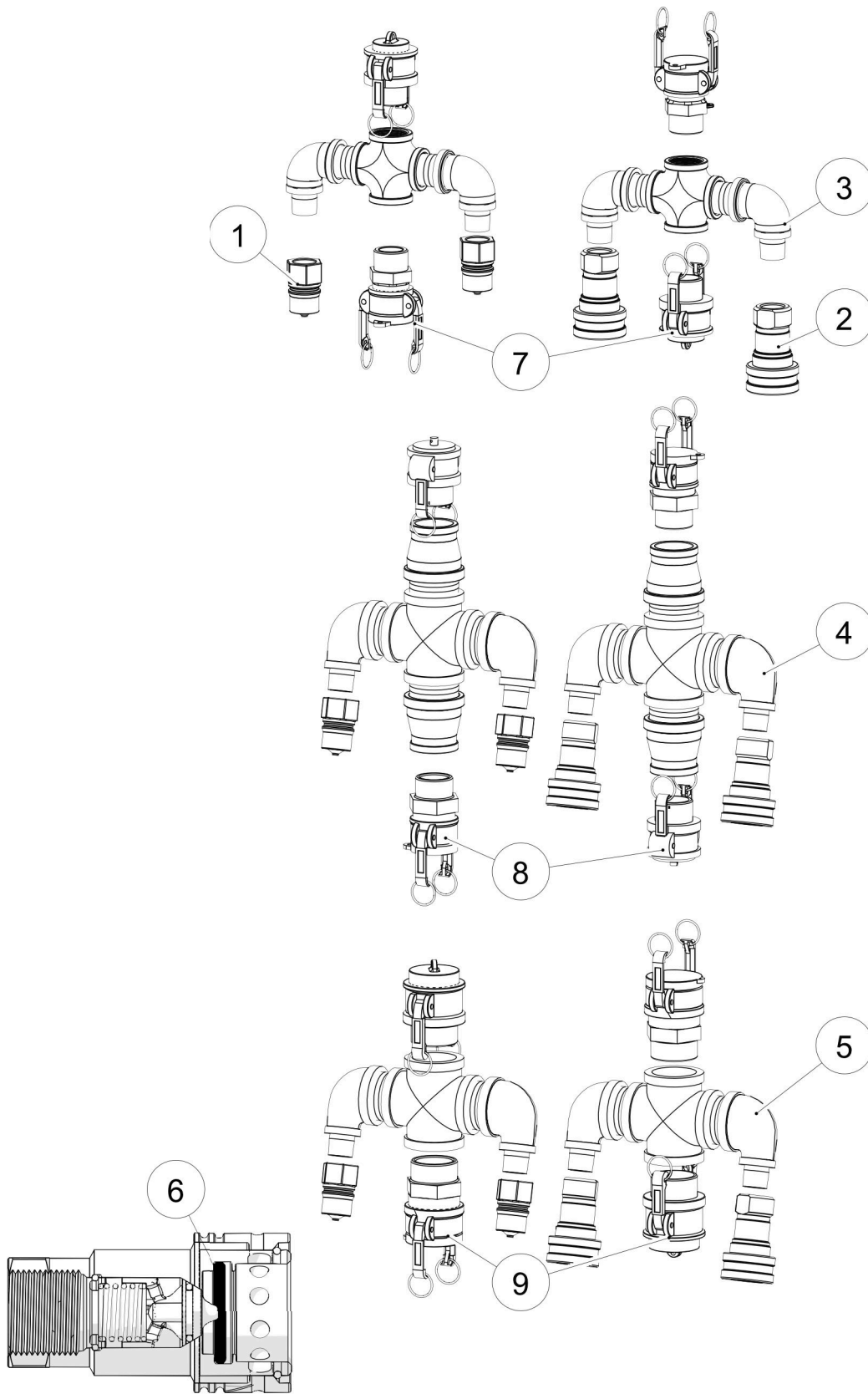




Manifolds Custom T's, 3/4" Quick Couplers

PAGE: 2.1.2

Item No.	Part No.	Description	Qty.
1	011-701517	QC NIPL 3/4 BRS NPTF	2 PER
2	011-701518	QC CPLR 3/4 BRS NPTF	2 PER
3	018-905110	ASSY RDCG CROSS 1-1/4X3/4 <small>000-905118 ONLY</small>	2
4	018-903790	ASSY CROSS 1-1/2 - 3/4 NIPL <small>018-902523 ONLY</small>	2
5	018-902524	ASSY CROSS 2IN - 3/4IN ELBOW REDUCING <small>018-902521 ONLY</small>	2
6A	006-702958	O-RING 3/4IN QC CPLR (.101)	1
6B	006-704311	O-RING 3/4IN QC CPLR (.141)	1
7		1 1/4" KAMLOCK PARTS see page 3.1.1	
8		1 1/2" KAMLOCK PARTS see page 3.1.3	
9		2" KAMLOCK PARTS see page 3.1.5	

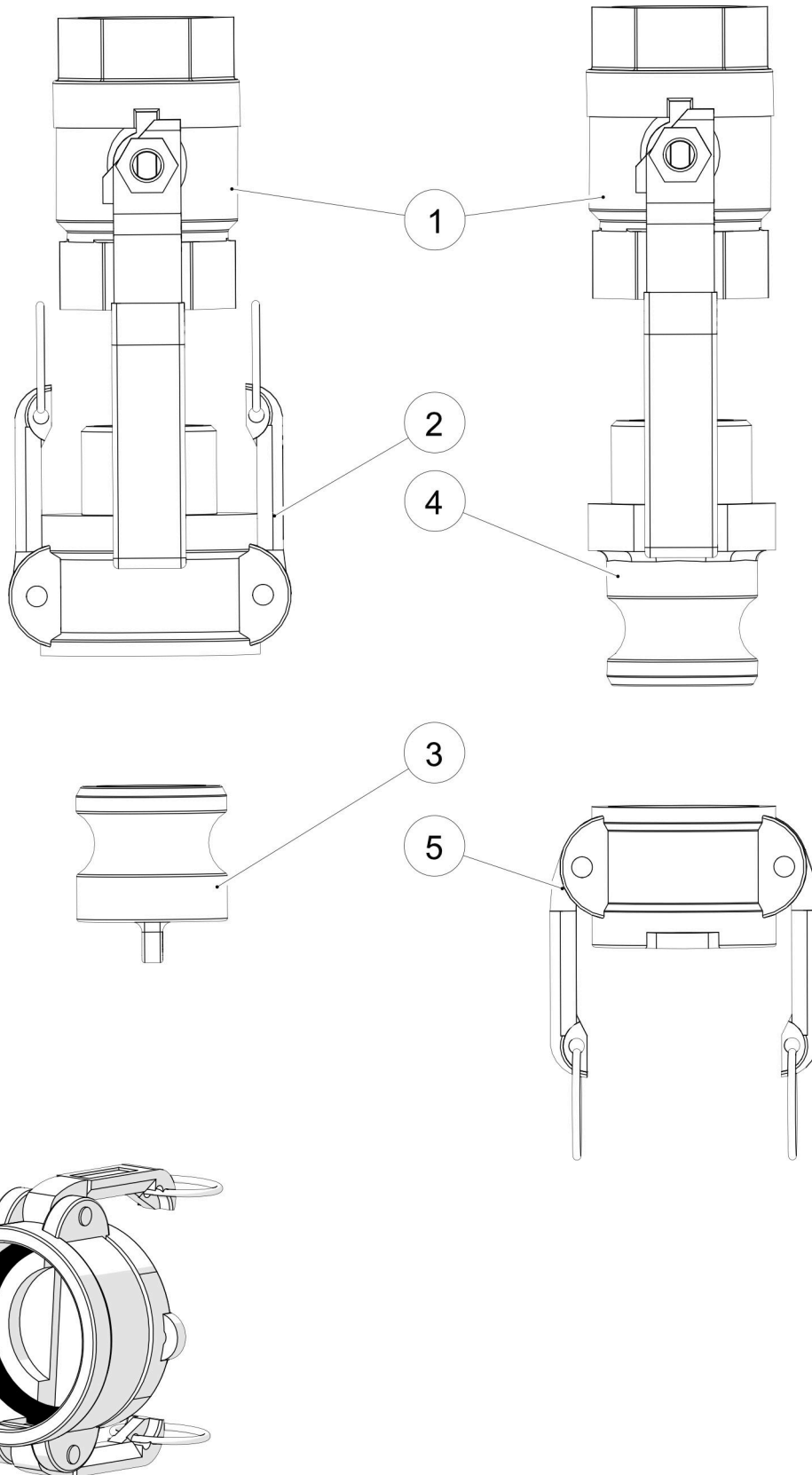




Manifolds Custom T's, 1" Quick Couplers

PAGE: 2.1.4

Item No.	Part No.	Description	Qty.
1	011-701375	QC NIPL BRS 1 60 SERIES	2 PER
2	011-701374	QC CPLR BRS 1 60 SERIES	2 PER
3	018-905109	ASSY RDCG CROSS 1-1/4X1 <small>000-905118 ONLY</small>	2
4	018-902499	ASSY CROSS 1-1/2IN <small>018-902523 ONLY</small>	2
5	018-902457	ASSY CROSS 2IN <small>018-902444 ONLY</small>	2
6	006-702957	O-RING 1IN QC CPLR (.141)	1
7		1 1/4" KAMLOCK PARTS see page 3.1.1	
8		1 1/2" KAMLOCK PARTS see page 3.1.3	
9		2" KAMLOCK PARTS see page 3.1.5	

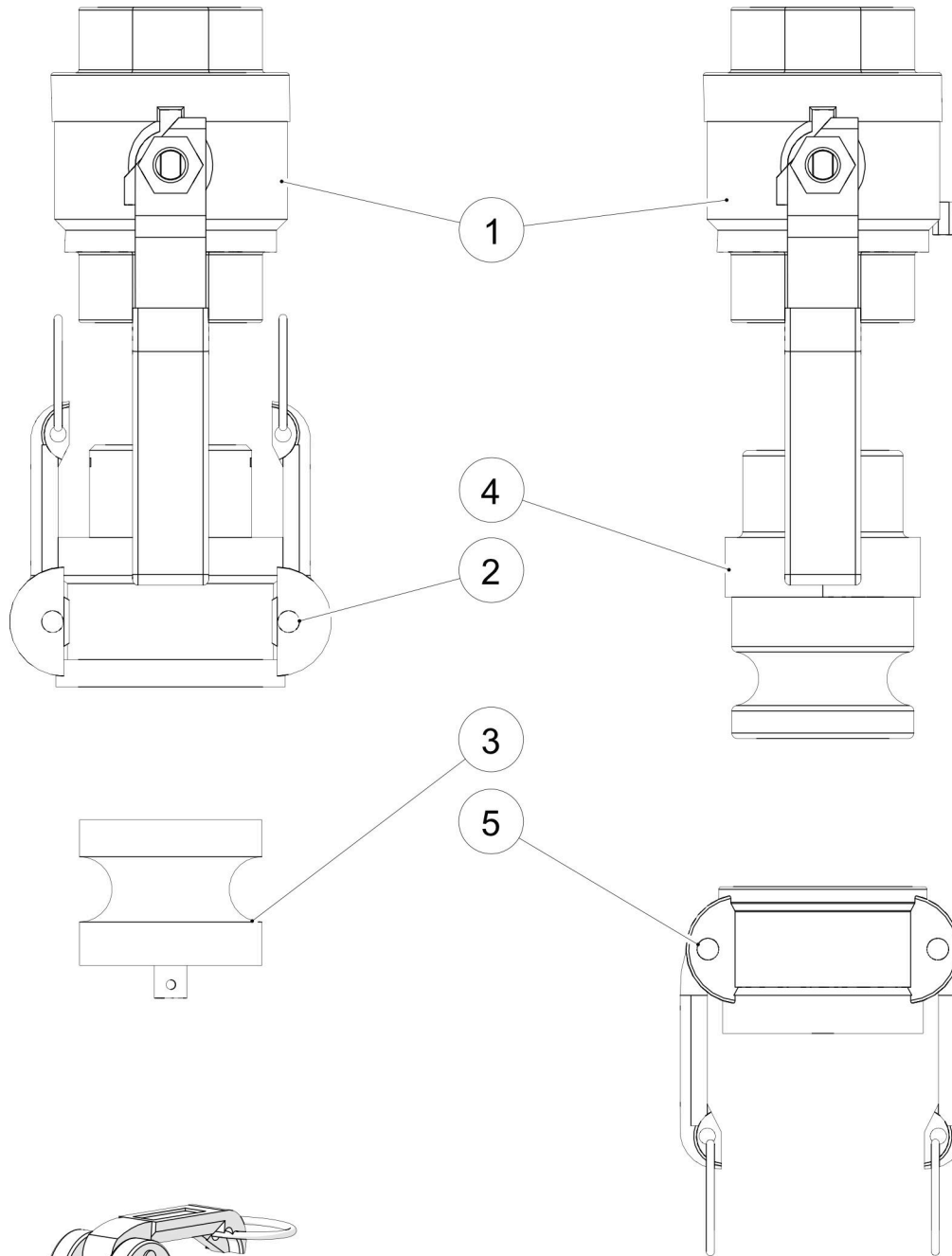




Manifolds 1 1/4" Kamlock Package

PAGE: 3.1.2

Item No.	Part No.	Description	Qty.
1	011-700178	VLV BALL 1-1/4 400WOG FL PT BRS CGA NPTF	2
2	011-702497	KMLCK 1-1/4 CPLR FEM AL MALE NPT PART B	1
3	011-702499	KMLCK 1-1/4 DUST PLUG AL PART DP	1
4	011-702496	KMLCK 1-1/4 ADPTR MALE AL NPT PART F	1
5	011-702498	KMLCK 1-1/4 DUST CAP AL PART DC	1
6A	006-900824	GSKT 1-1/4IN KMLCK CPLR SILICONE RBR	1
6B	006-702964	GSKT 1-1/4IN KMLCK CPLR THICK	1

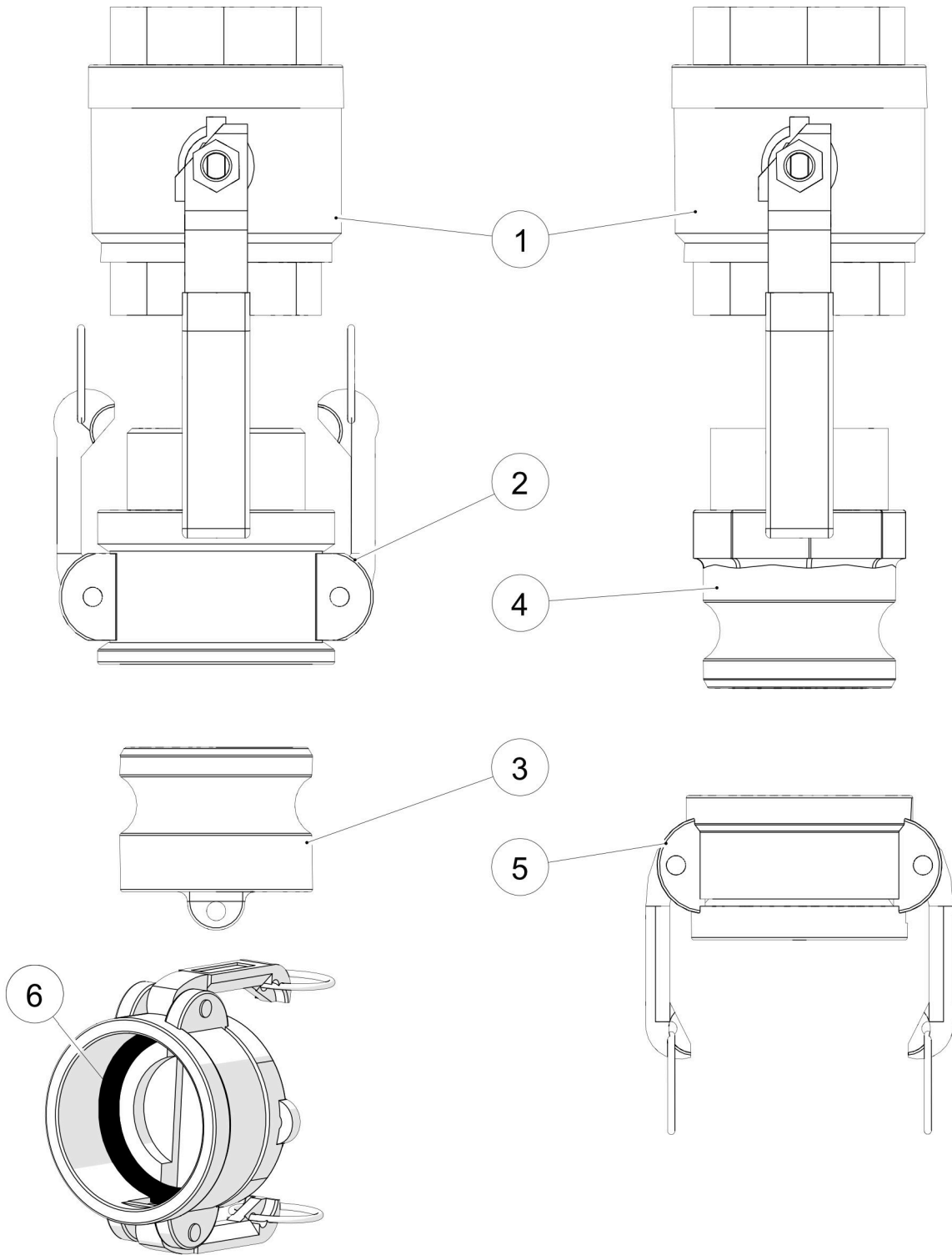




Manifolds 1 1/2" Kamlock Package

PAGE: 3.1.4

Item No.	Part No.	Description	Qty.
1	011-700580	VLV BALL 1-1/2 400WOG FL PT BRS CGA NPTF	2
2	011-702848	KMLCK 1-1/2 FEMALE CPLR AL MALE NPT PART B	1
3	011-702850	KMLCK 1-1/2 DUST PLUG AL PART DP	1
4	011-702847	KMLCK 1-1/2 ADPTR AL MALE NPT PART F	1
5	011-702849	KMLCK 1-1/2 DUST CAP AL PART DC	1
6A	006-702960	GSKT 1-1/2IN KMLCK CPLR STD	1
6B	006-900825	GSKT 1-1/2IN KMLCK CPLR SILICONE RBR	1
6C	006-702963	GSKT 1-1/2IN KMLCK CPLR THICK	1

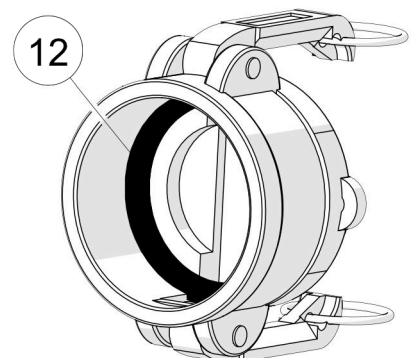
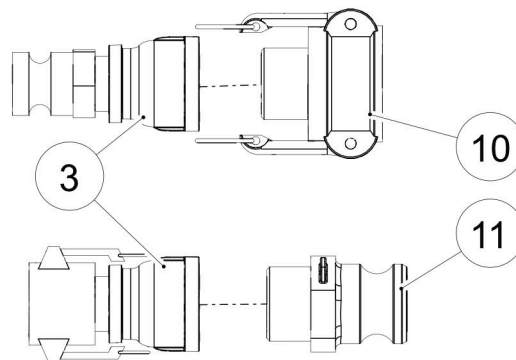
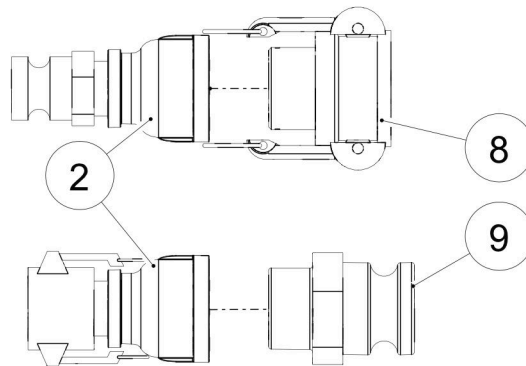
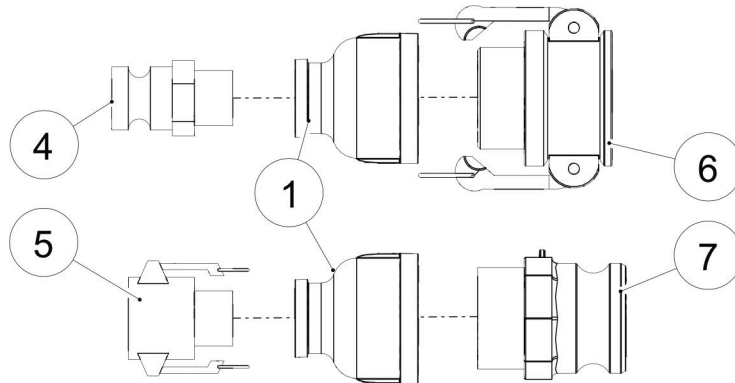




Manifolds 2" Kamlock Package

PAGE: 3.1.6

Item No.	Part No.	Description	Qty.
1	011-701442	VLV BALL 2 FL PT CSA/UL	2
2	011-700279	KMLCK 2 PART B CPLR AL NPTM	1
3	011-700391	KMLCK 2 PART DP DUST PLUG AL	1
4	011-700278	KMLCK 2 PART F ADPTR AL NPTM	1
5	011-700390	KMLCK 2 PART DC DUST CAP AL	1
6A	006-702959	GSKT 2IN KMLCK CPLR STD	1
6B	006-702962	GSKT 2IN KMLCK CPLR THICK	1
6C	006-900823	GSKT 2IN KMLCK CPLR SILICONE RBR	1





Manifolds Kamlock Adapters

PAGE: 4.1.2

Item No.	Part No.	Description	Qty.
	018-904036	ASSY KMLCK ADPTR 2X1 M/F (Includes 1,4,5,6,7)	1
	018-904035	ASSY KMLCK ADPTR 1-1/2X1 M/F (Includes 2,4,5,8,9)	1
	018-904034	ASSY KMLCK ADPTR 1-1/4X1 M/F (Includes 3-5,10,11)	1
1	004-904033	CPLR RDCG 2X1 PNTD BLK	2
2	004-904032	CPLR RDCG 1-1/2X1 PNTD BLK	2
3	004-904031	CPLR RDCG 1-1/4X1 PNTD BLK	2
4	011-700725	KMLCK 1 PART F MXM AL NPTM	1 PER
5	011-700101	KMLCK 1 PART B FXM AL NPTM	1 PER
6	011-700279	KMLCK 2 PART B CPLR AL NPTM	1 PER
7	011-700278	KMLCK 2 PART F ADPTR AL NPTM	1 PER
8	011-702848	KMLCK 1-1/2 FEMALE CPLR AL MALE NPT PART B	1 PER
9	011-702847	KMLCK 1-1/2 ADPTR AL MALE NPT PART F	1 PER
10	011-702497	KMLCK 1-1/4 CPLR FEM AL MALE NPT PART B	1 PER
11	011-702496	KMLCK 1-1/4 ADPTR MALE AL NPT PART F	1 PER
12A	006-900824	GSKT 1-1/4IN KMLCK CPLR SILICONE RBR	1
12B	006-702964	GSKT 1-1/4IN KMLCK CPLR THICK	1

