



Heat Thaw Cure Dry

Operator Manual HESF1000



Steam Plate Heat Exchanger

S.N. 1563-01 -

DRYAIR Manufacturing Corp.

Box 126, 400 Service Road

St. Brieux, SK, Canada

S0K 3V0

Tel: (306) 275-4848 1-888-750-1700

Fax: (306) 275-4664

Table of Contents

1. Warranty Policies & Claim Procedures.....	1-4
Warranty Policies.....	1-4
Basic Warranty Policy	1-4
Extended Warranty Policy	1-4
Heat Exchanger	1-4
Exceptions to the Warranty Policies	1-5
Owner Obligations	1-5
Manufacturer Obligations	1-5
Warranty Claim Procedure.....	1-6
2. Safety Concerns.....	2-1
General Safety Guidelines.....	2-1
Water Heater Module	2-1
Steam	2-2
Heat Transfer Fluid	2-2
Fluid Handling Precautions.....	2-2
First Aid Measures	2-2
3. Introduction	3-1
Steam Plate Heat Exchanger	3-1
Potential Uses	3-1
Accessories.....	3-2
Extension Reservoir Assembly	3-2
Mixing/Booster Pump	3-2
Optional Remote Manifold.....	3-2
Insulated Line Jackets.....	3-3
Portable Heat Exchangers	3-3
Plate Heat Exchanger	3-3
Flow Reverser	3-3
How the System Works.....	3-4
4. Setup.....	4-1
Steam Circuit.....	4-1
Required Safety Clearances.....	4-1
Elevation Concerns.....	4-2
Electrical Requirements & Connection	4-2
Heat Transfer Fluid (HTF)	4-3
Primary “HTF” Circulation Lines	4-3
5. Operation	5-1
Purging Air from the HTF Circulation System	5-1
Before Starting the System.....	5-1
Start Up.....	5-1
Aquastat Settings.....	5-2
Shut Down/Rig-Out.....	5-3
6. Troubleshooting.....	6-1

- Issues and Solutions 6-1
 - Pump Switch On, Pump Will Not Run 6-1
 - Pump Runs with Pump Switch “On”, Shuts Off When Control Circuit is Turned “On” 6-1
 - Both Switches Are On, the Pump is Running, But the System Will Not Heat Up..... 6-1
 - The Unit Runs, But the System Will Not Properly Regulate the HTF Temperature..... 6-2
- 7. Maintenance 7-1
 - Daily Checklist 7-1
 - Condensate Trap 7-1
 - Check HTF Level Every Day 7-1
 - Check the Supply Temperature Gauge 7-1
 - Seasonal Checklist..... 7-1
 - Filters 7-1
 - Hoses..... 7-1
- 8. Appendix 8-1
 - Certification & Heater Specifications 8-1
 - Electrical Schematic 8-2
 - Material Safety Data Sheets 8-3

Table of Figures

Figure 1 - Safety Decals.....	2-1
Figure 2 - HESF1000 Steam Plate Heat Exchanger	3-1
Figure 3 - Extended Reservoir Tank.....	3-2
Figure 4 - Mixing/Booster Unit	3-2
Figure 5 - Optional Remote Manifold	3-2
Figure 6 - Portable Heat Exchangers	3-3
Figure 7 - Plate Heat Exchanger Unit.....	3-3
Figure 8 - Portable Flow Reverser	3-3
Figure 9 - How the System Works.....	3-4
Figure 10 - Electrical Connection	4-2
Figure 11 - Glycol Mixing Guide	4-3
Figure 12 - Air Eliminator Vent.....	5-1
Figure 13 - Condensate Drain Valve	5-2
Figure 14 - Interior View Showing A350P Control's Features.....	5-2
Figure 15 - Water Heater Data & Serial Plate	8-1
Figure 16 - Electrical Schematic.....	8-2



1. Warranty Policies & Claim Procedures

DRYAIR MANUFACTURING CORP. (referred to within as DRYAIR) warrants its new, unused equipment to be free of defects in material and workmanship at the time of delivery to the original retail purchaser.

Warranty Policies

Basic Warranty Policy

- DRYAIR will repair or replace, at its option, without charge, any defective part of the equipment for a period of twelve (12) months from delivery to the first retail purchaser, F.O.B St. Brieux, SK., Canada.
- Any parts that are covered by an extended warranty published by DRYAIR are an exception to the Basic Warranty policy and are to be warranted as per the details of the Extended Warranty Policy.
- Labour is covered as per DRYAIR flat labour rate.
- The Warranty Policy, terms and conditions, may change from time to time without prior notice.
- Warranty terms and conditions are transferable in the event of the sale to a second owner.
- Replacement parts will be warranted for 90 days from the repair date. Bill of sale must accompany the warranty claim.
- The terms of this Warranty Policy are subject to provincial and state legislation. DRYAIR reserves the right to make modifications in accordance with provincial and state legislation without prior notice or obligation.

Extended Warranty Policy

Heat Exchanger

- An extended warranty is available on the heat exchanger unit of the water heater assembly. The available warranty for a part, under the extended warranty policy, is prorated by 20% per year.
- Shipment date is the date to be used for the commencement of the warranty period.
- Coverage schedule

Year 1 - 100%

Year 2 - 80%

Year 3 - 60%

Year 4 - 40%

Year 5 - 20%

Exceptions to the Warranty Policies

- Under no circumstance shall the owner be entitled to recover costs for incidental, special or consequential damages such as, but not limited to: loss of profit or revenue, other commercial losses, inconvenience and/or replacement equipment rental cost.
- Maintenance, repair or service items not related to warrantable defects.
- Loss or damage during shipping.
- Failure resulting from lack of or improper maintenance.
- Damage caused by operator abuse, negligence or improper operation.
- Damage resulting from improper voltage supply.
- Damage from improper installation. Installation done by other than the manufacturer.
- Non-defective items replaced at the request of the customer.
- Damage due to accidents.
- Damage resulting from improper fuel supply (i.e. pressure or contamination).
- Damage resulting from cracked or broken lines occurring during transport.
- Damage resulting from use of inadequate or improper fluids (i.e. Glycol or oil).
- Mileage is not covered.
- Glycol is considered a consumable and will not be covered under the warranty policy.
- Generators carry their own warranty coverage through their own manufacturers. Please refer generator issues to the OEM. Contact information may be found in the Service & Operators Manual under Optional Equipment.

Owner Obligations

- It is the responsibility of the owner, at the owner's expense, to transport the equipment to the service facility of an authorized DRYAIR distributor/dealer or alternately to reimburse the distributor/dealer, for any traveling expenses incurred in fulfilling this warranty.
- The terms of this Warranty Policy are subject to provincial and state legislation. DRYAIR reserves the right to make modifications in accordance with provincial and state legislation without prior notice or obligation.
- It is the responsibility of the owner to read, understand and implement the maintenance, safety and operational guidelines as laid out in the Operation and Maintenance Guide.
- All parts are to be tagged with warranty claim number and shipped prepaid to DRYAIR within 30 days.

Manufacturer Obligations

- DRYAIR reserves the right to continually improve the product's parts or specifications at any time without notice or obligation.
- The terms of this Warranty Policy are subject to provincial and state legislation. DRYAIR reserves the right to make modifications in accordance with provincial and state legislation without prior notice or obligation.



Warranty Claim Procedure

- All warranty credits must be processed with the DRYAIR Warranty Claim Form.
- All warranty parts, unless otherwise specified, are to be returned to DRYAIR along with a completed Warranty Claim Form.

Note: *Prior to returning warranty parts, please call for an authorization number and shipping instructions from the Warranty department in Canada.*

Location of Warranty Depots:

USA	Canada
DRYAIR Manufacturing Corp. 410 Douglas Road, Box 264 Bradner, OH 43406 Ph. 1 (888) 750-1700	DRYAIR Manufacturing Corp. 400 Service Road, Box 126 St. Brieux, SK S0K 3V0 Ph. 1 (888) 750-1700

- Each warranty claim should only refer to one Serial or Production Schedule numbered unit.
- Warranty parts are to be tagged with warranty claim number.
- When claiming for warranty labour, the allowable warranty labour rate will be \$85.00/hour. The factory reserves the right to adjust the number of hours claimed where deemed necessary.
- The factory may at times specify allowable labour for certain warranty procedures.
- Mileage and travel time to/from the customer are not eligible for warranty credit.
- Freight charges for warranty parts are not eligible for warranty credit.
- Labour flat rates for component changes:
 - Electrical Components - 0.5hr
 - Relays
 - Switches
 - Thermostats
 - Breakers
 - Plumbing Components - 1hr
 - Flow Reverser
 - Flow Switch
 - Valves
 - Electric Motor Changes - 1hr
 - Hose Reel
 - Glycol Pump Changes - 2hrs

Note: *Other labour charges will be at the discretion of DRYAIR.*

2. Safety Concerns

General Safety Guidelines

- Make certain that the operator reads and understands all the information in this manual.
- All unauthorized people must be kept away from the equipment when in operation.
- All guards must be in place when the equipment is in operation.
- Maintain instructional and safety decals. Replace damaged decals (*Figure 1*).

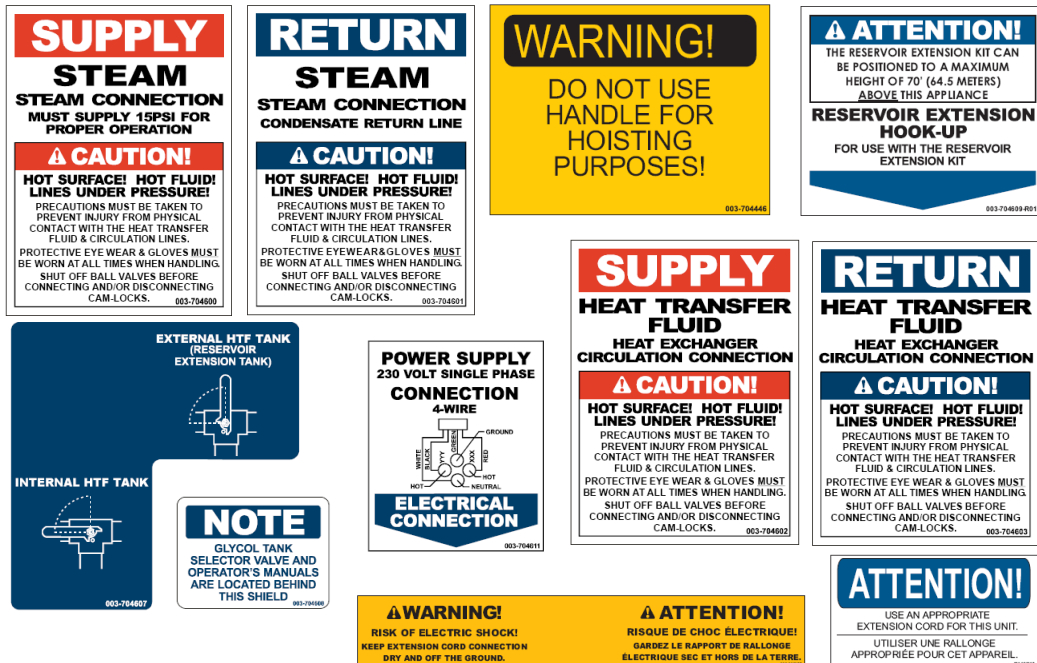


Figure 1 - Safety Decals

Water Heater Module

CAUTION! The water heater is a heating appliance.

- Observe all posted warnings and cautions when dealing with any heating appliance.
- Keep children and pets away from all piping and fuel accessories.
- While the system is operating the water heater housing panels must be kept closed - This prevents drafts from affecting water heater operation.



Steam

CAUTION! *As this appliance uses pressurized steam, it is critical that a licensed steamfitter connect the steam source to the HESF1000. A regulator which limits the steam input pressure to 15 PSI is essential.*

The key advantage to the HESF1000 system, in addition to better temperature control abilities over direct steam heating, is that there is only one set of steam connections. This means fewer steam lines to maintain. In the DRYAIR system, the heat transfer around your site is almost entirely managed by low-pressure Heat Transfer Fluid lines. This is safer and more cost effective than using steam plumbing to distribute your heat.

Heat Transfer Fluid

Follow the following precautions and measures when working with “heat transfer fluid” (“DOWFROST* HTF” & “BOSS CHILL PG”).

Fluid Handling Precautions

- Ventilation Good general ventilation should be sufficient for most conditions.
- Respiratory protection No respiratory protection should be needed.
- Skin protection For brief contact, no precautions other than clean, body-covering clothing should be needed.
..... Use impervious gloves when prolonged or frequently repeated contact should occur.
- Eye protection Use safety glasses.

First Aid Measures

- Eyes Flush eyes with plenty of water.
- Skin Wash off in flowing water or shower.
- Ingestion Induce vomiting if large amounts are ingested.
..... Consult medical personnel.
- Inhalation Remove to fresh air if effects occur.
..... Consult a physician.
- Note to Physician No specific antidote.
..... Supportive care.
..... Treatment based on judgment of the physician in response to reactions of the patient.

For complete “heat transfer fluid” information, refer to the Material Safety Data Sheets for “Dowfrost HTF” & “Boss Chill PG” included with the manuals package.

3. Introduction

Steam Plate Heat Exchanger

- The system transfers heat from “on-site” steam to a Plate Heat Exchanger (PHE) that will heat the heat-transfer-fluid that enables the use of any of the DRYAIR accessories for heat distribution.
- Automatic temperature control allows the user to set the desired fluid temperature. Temperature is maintained by modulating steam through the exchanger.
- One unit can provide enough heating capacity to heat up to 50,000 square feet (dependent on the steam source capacity).
- Using an existing steam source could prove to be the most versatile and economical approach to delivering temporary heat on a construction site or building renovation.



Figure 2 - HESF1000 Steam Plate Heat Exchanger

Potential Uses

There are many applications for hydronic heat:

- Indirect air heating with the use of fan-coil modules
- Ground thaw with the use of line heat exchangers
- Concrete curing with the use of line heat exchangers
- Water or other low-viscosity, non-corrosive fluid heating by using a plate heat exchanger

Accessories

Extension Reservoir Assembly

The Extended Reservoir Tank is required in scenarios when portable heat exchangers are higher than the top level of the glycol reservoir tank. If the Extended Reservoir Tank is not used, the following can occur:

- **Insufficient Fluid in the System**

Fluid can drain back to the heat transfer reservoir tank from the over-elevated fluid lines when the pump is shut off. The heat transfer reservoir tank will show adequate fluid, but when the pump is started, extra fluid will be required to recharge the over-elevated fluid lines and portable heat exchangers and the system will then have insufficient fluid in the reservoir.

- **Fluid Overflow**

If fluid is added to maintain proper fluid levels while the pump is running, overflow at the reservoir tank may occur when the pump is shut off. This would occur because of the drain back from the over-elevated fluid lines.



Figure 3 - Extended Reservoir Tank

Mixing/Booster Pump

The multifunctional Mixing/Booster ensures maximum flexibility in the use of this system.

- Tempering mode supplies lower temperature fluid for concrete cure and radiant floor heat applications eliminating the need to reduce the water heater operating temperatures below safe operating ranges.
- When operating in booster mode the system can increase flow rates or function as a pumping station to increase pumping distances by over 300 feet per station.
- The system also allows for dual-temperature control. High temperature fluid can be provided to portable heat exchangers, along with a lower temperature fluid for concrete cure and radiant floor heat applications.
- The multifunctional Mixing/Booster ensures maximum flexibility in the use of this system.



Figure 4 - Mixing/Booster Unit

Note: Disengage Flow Reverser when using this accessory.

Optional Remote Manifold

- The Optional Remote Manifold allows for additional distribution and/or separation between the central heating trailer and the manifold.



Figure 5 - Optional Remote Manifold

Insulated Line Jackets

- Insulated circulation line jackets are also available. These insulated jackets will prevent exposed circulation line heat loss in extreme sub-zero conditions.

Portable Heat Exchangers

Portable heat exchangers are the ideal way to heat and/or dry enclosed structures. Their compact and mobile design allows them to be positioned where they are required on the job site. The efficient fan/coil design provides a high rate of heat transfer. High volume fans then deliver this heat evenly throughout a large area. The clean, low relative humidity heat delivery minimizes energy costs by eliminating the need to draw in fresh outside air. With the DRYAIR system, you just reheat warm internal air, rather than heating cold external air.



Figure 6 - Portable Heat Exchangers

Note: Disengage Flow Reverser when using this accessory.

Plate Heat Exchanger

The Plate Heat Exchanger module creates two separate fluid loops. It can extend the range of the HTF distribution and eliminate the need for extended reservoirs in elevated applications. The plate heat exchanger, combined with a central heating module can be used:

- To extend the effective range and lengths of the primary distribution lines.
- In a multi-story application to extend the vertical distance from the heating module that a portable heat exchanger.



Figure 7 - Plate Heat Exchanger Unit

Note: Disengage Flow Reverser when using this accessory.

Flow Reverser

The Flow Reverser is advantageous in both concrete cure and ground thaw applications. If HTF is circulated through a heating zone unidirectionally there will be a significant temperature gradient across the area. Although the average temperature in the heating zone may be desired, there will be many areas considerably warmer and many areas considerably cooler than what is desired. In order to heat the entire zone to a minimum temperature there will be a great deal of wasted time and energy. The flow reverser eliminates such problems. If the flow is reversed over an interval of time, the temperature gradient will be the inverse of the temperature gradient over the previous interval of time. This means that there are no hot or cold areas in your heating zone and the entire zone is consistently at the desired temperature.



Figure 8 - Portable Flow Reverser

How the System Works

The system uses a low-pressure, open fluid loop distribution system with an atmospherically vented fluid reservoir. A central heating module warms the heat transfer fluid. This heated fluid is pumped through a distribution system loop, passing through heat exchangers in remote locations.

Two types of exchangers are available:

- Portable heat exchangers include a heat transfer coil, fan, and thermostatic temperature control. The heat transfer fluid flows through the transfer coil, where heat is transferred to the air being drawn through the coil by the fan. The coil is specially designed for optimum heat transfer, without adding any moisture or combustion by-products to the air.
- Circulation line heat exchangers use flexible hose with hydraulic-style quick-couplers for ease in hookup. Heat transfer occurs by direct contact heat transfer and radiant heat conduction.

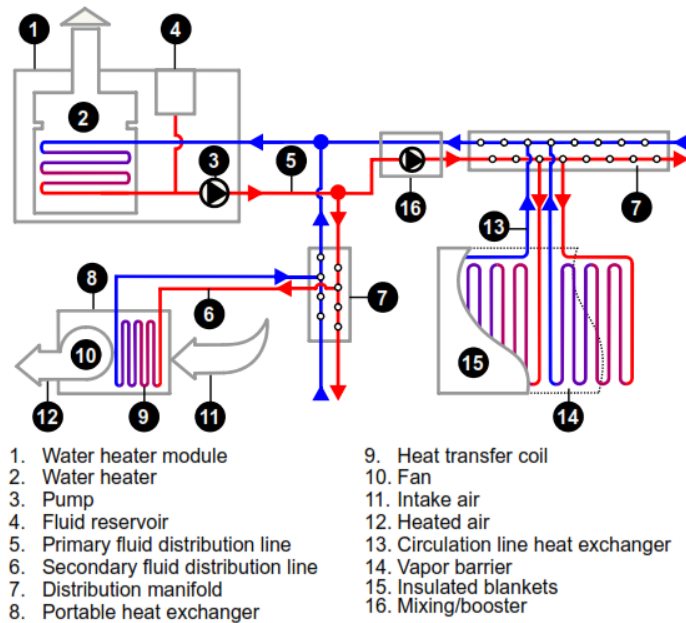


Figure 9 - How the System Works

The Mixing/Booster unit can be utilized to:

- Provide lower temperature fluid for concrete cure and radiant floor heat applications
- Provide dual temperature control with a single fluid circulation system
- Boost fluid flow and increase pumping distances

4. Setup

The positioning of all the system components on the site will be influenced by a number of factors. Please read the entire Setup section before beginning. Be sure to observe all local electrical codes and fire regulations when positioning the appliance.

DANGER! *It is very important that you read and understand this manual before operating the Plate Heat Exchanger. Failure to follow the procedures and cautions in this manual could lead to injury or improper function of the Plate Heat Exchanger.*

The Plate Heat Exchanger (PHE) utilizes two closed loop circulation systems, one steam loop and one heat transfer fluid loop. Both loops are independent and isolated from one another.

Steam Circuit

- The steam loop provides the heat source for the intended heating.
- The steam hook-up must be connected to the site by a licensed steam fitter/pipe fitter.
- Steam loop is intended/designed for low pressure steam (15 PSI or less).
- Steam supply and condensate return pipe connections to the unit are 1-1/2" FNPT.

CAUTION! *Connection to steam supply must be performed by a licensed steam fitter/pipe fitter ONLY. All codes and permit processes must be adhered to, as administered by the local authority having jurisdiction.*

Note: *The steam pressure reducing values are not included.*

Required Safety Clearances

This product is a heating appliance, therefore safe heat clearances must be observed.

- Maintain 12" of clearance on all sides of the unit.
- Maintain 12" of clearance on all sides of the unit's roof.
- Ensure that the glycol overflow vent is not plugged.

Elevation Concerns

Do not place any portable heat exchangers or circulation line heat exchangers higher than the top of the integral heat transfer fluid tank without using a reservoir extension kit (*Figure 3*). If this is not observed, the following can occur:

- Insufficient Fluid in the System**
 Fluid will drain back to the heat transfer fill tank from the over-elevated fluid lines when the pump is shut off. The heat transfer fill tank will show adequate fluid but, when the pump is started, extra fluid will be required to recharge the over-elevated fluid lines and portable heat exchangers and the system will then have insufficient fluid in the reservoir.
- Fluid Overflow**
 If fluid is added to maintain proper fluid levels while the pump is running, overflow at the fill tank may occur when the pump is shut off. This would occur because of drain back from the over-elevated fluid lines.

Electrical Requirements & Connection

When determining the heat exchanger module's location on site, consider setting up in close proximity to the electrical power supply.

- The heat exchanger module main feed wiring must be adequately sized to carry the minimum ampacity shown on the water heater cabinet's rating label. All electrical connections, connectors and wire must be CSA approved and installed according to local laws and codes.
- Before making any electrical connections, be sure that the electric power supply is off.
- The steam plate requires 120/240V AC power. The module is factory wired so that the only connection to be made is a 120/240V AC main feed to the circuit breakers inside the water heater cabinet.
- A 4-wire hookup (NEMA L14-30) is required for all systems to work properly.

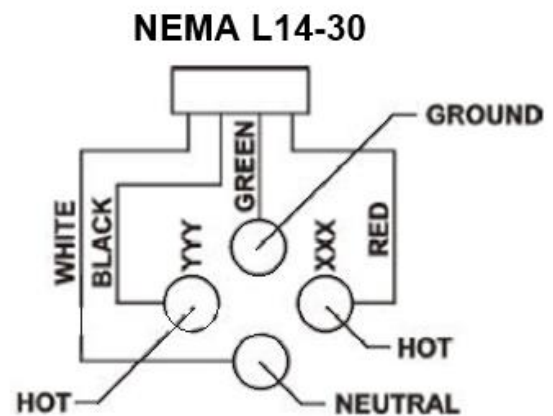


Figure 10 - Electrical Connection

Note: Warranty is void if the wiring hookup is not done correctly.

Heat Transfer Fluid (HTF)

CAUTION! At no time should you use automobile antifreeze in your system. The use of automobile antifreeze will void your warranty.

- Heat transfer fluid circuit has an on-board open-vented glycol reservoir.
- The heat transfer fluid “HTF” level should show no more than ¼ on the gauge (cold fluid) at start-up. As the “HTF” warms to operating temperature, fluid expansion will raise the level to ½ or ¾ on the gauge (depending on the total volume of fluid in the circulation system).

HTF Specifications

- DRYAIR pre-mixed “HTF” fluid is made up of 50% “Dowfrost ® HTF” or “Boss Chill PG” and 50% water, by weight - freeze protection down to -28°F (-33°C).
- The “glycol/water mixture chart” will provide you with more information on the proper mixture for your area (*Figure 11*).
- Soft water with a neutral pH level (#7) must be used.

Percent Propylene Glycol		Freezing Point	
By Mass	By Volume	°F	°C
0.0	0.0	32.0	0.0
10.0	9.6	26.1	-3.2
20.0	19.4	17.9	-7.8
30.0	29.4	6.7	-14.0
40.0	39.6	-8.1	-22.3
50.0	49.9	-28.9	-33.8
60.0	60.0	-54.9	-48.3

Figure 11 - Glycol Mixing Guide

CAUTION! Whenever coupling or uncoupling quick couplers, make sure that the isolation valves are closed, and the pump is off. Failure to do so may put you at risk of injury from eye and/or skin exposure to hot glycol

Primary “HTF” Circulation Lines

- If possible, position the primary circulation lines out of high traffic areas.
- Connect the primary circulation lines to the supply and return camlock couplers on the PHE. Isolation valves and camlock couplers are attached at both ends of the primary circulation lines to enable quick coupling. This also allows the isolation of the primary lines while retaining the heat transfer fluid (HTF) in the lines.
- Heat Transfer Fluid circuit has an on-board open-vented glycol reservoir.

5. Operation

Purging Air from the HTF Circulation System

- Verify that the primary circulation lines are connected to the supply and return isolation valves on the water heater module.
- Verify that the primary circulation lines are connected to a distribution manifold.
- Complete the connection for one heat exchanger loop or portable heat exchanger. This will close the circulation loop and allow circulation.
- Verify that the supply and return isolation valves and the isolation valves at both ends of the primary circulation lines are in the open position.
- The automatic air vent should not need adjustment. The air eliminator is designed to allow air escape from the HTF system.
- Toggle the pump switch to the on (up) position and run the pump. This will release the air from the system.
- Monitor the heat transfer fluid level gauge and make sure that the heat transfer fluid level stays in between $\frac{1}{4}$ to $\frac{3}{4}$ full at all times during this process.
- Note that there may be a certain amount of air in the system. HTF levels may change as air is displaced from the system. Add HTF fluid to maintain $\frac{1}{4}$ to $\frac{3}{4}$ levels in the expansion tank.



Figure 12 - Air Eliminator Vent

When the air is eliminated, the system pressure gauge will hold at a steady reading of between 15 to 40 PSI.

Before Starting the System

- Ensure that there is a regulator on the steam supply side that is set to 15 PSI.
- Verify that the power supply is correct and that the electrical hook up is as specified in the Setup section.
- Verify that the supply and return isolation valves are closed.
- Verify that the heat transfer fluid level gauge shows approximately $\frac{1}{4}$ to $\frac{3}{4}$ full.

Start Up

- Open all 2" ball valves entering and leaving the plate heat exchange unit, as well as all valves at the portable manifold, if used.
- To initiate start-up of the plate heat exchanger, plug in its power supply.
- Turn on the pump switch first, followed by the control circuit switch.

- Open the steam supply and return valves. If the system is starting up from a cold state, purge the condensate trap by opening the condensate drain valve.
- Adjust the desired setting of outgoing HTF temperature at the Aquastat.

Note: It may take a few minutes for the temperature to stabilize and gauges to refresh, but the outgoing HTF temperature should be very close to the set point of the Aquastat.

Aquastat Settings

The HESF1000 uses a Johnson Controls A350PS variable output Aquastat to control a proportional valve that throttles the steam input into the system. This control system will modulate steam flow in a gentle way, and will allow a smooth rate of heat transfer, especially near the set-point of the Aquastat. The system as installed operates on a 0-10V analog control.

DRYAIR's factory settings on the Aquastat are:

- Set-point 170°F
- Jumpers set to Reverse Acting
- DIP switches (for Integral Control) set with the top 3 switches (2,3,4) to the right and the bottom switch (1) to the left
- The Throttling Range Potentiometer set to 20°F
- The Minimum Output Potentiometer set to its minimum

Basic customer adjustment should be limited to adjusting the set point. More advanced settings can be altered at the user's discretion, depending on the operational conditions and requirements.

- Adjusting the Throttling Range Potentiometer sets an offset point. This means that the set-point acts as 0% throttling, and



Figure 13 - Condensate Drain Valve

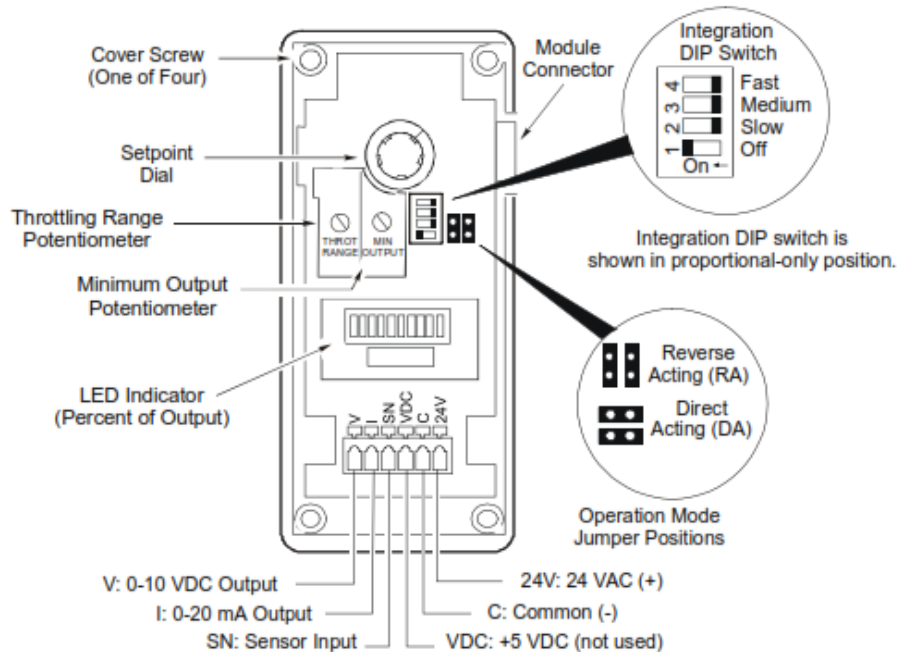


Figure 14 - Interior View Showing A350P Control's Features

the offset represents 100% throttling. In a heating application, this means that at a fluid temperature below the offset (in the case of the factory settings 150°F) the valve will be fully open.

- Adjusting the minimum output potentiometer upwards from its minimum will result in the throttling valve not closing completely. This may be adjusted in exceptionally cold (-25°F) conditions but must be done with caution as it will allow steam to traverse the control valve even when it is not needed.

Shut Down/Rig-Out

There are some very important procedures to be followed when shutting the system down. After completing the system shutdown, the HESF1000 is ready to move, store, etc.

- With system still running, close the steam supply and return valves, and open the condensate drain valve.
- Shut off the control circuit switch.
- Continue to run pump and circulate glycol until the supply temperature gauge reads 80°F. This is necessary to allow a gentle cooling of the plate heat exchanger in order to eliminate the chances of warping and cracking of the parallel plate assemblies inside.
- After the system temperature has reached 80°F, shut off the pump and close both glycol isolation valves.
- If applicable, unhook the reservoir extension tank.
- If applicable, clean the Filter-Ball and steam-supply Y-strainer.
- Unhook all lines and the electrical connection.
- Close the condensate drain valve after all water has been drained from the steam side of the heat exchanger.

6. Troubleshooting

Issues and Solutions

Pump Switch On, Pump Will Not Run

- Set the Control Circuit switch to “Off”. If this fixes the problem, consult the next section.
- Check that correct power supply has been connected to the unit. Investigate power source and be certain that the power characteristics are correct. (120/240V, 30amp, single phase, 4-conductor, 0’-100’ - 10 AWG, over 100’ - 8 AWG).
- Check to ensure the main breaker is “On”.
- Check for power in and out of breaker, toggle switch and relay. The relay functions as a Normally Closed device.
- Check for power at the pump. If power is present at the pump, the pump may need to be replaced.

Pump Runs with Pump Switch “On”, Shuts Off When Control Circuit is Turned “On”

- Visually check glycol level in tank.
- Ensure that Reservoir Selection Valve is in the proper position. Do not have the valve turned to the Reservoir Extension Tank position without a Reservoir Extension Tank attached.
- If applicable, make sure that the quick coupler for the Reservoir Extension Tank is properly connected.
- Check the color of the LED on the Low Water Cut-Off (LWCO). If the LED is red, add HTF to the system. If the LED is green, inspect the wiring.
- The red wire in the LWCO module should be attached to the NO terminal of the LWCO. In the control box, it should connect to the coil of the relay.
- If wiring is correct and HTF levels are adequate, replace LWCO.

Both Switches Are On, the Pump is Running, But the System Will Not Heat Up

- Check that steam valves are open, and that steam is being supplied.
- The LED indicator on the Aquastat should illuminate at the 10V position. If this does not illuminate, check the wiring to the Aquastat.
- Check that the 3A breaker for the Control Circuit is not tripped.
- Ensure Aquastat settings are correct.
- Confirm 10V (+0V/- 1V range) output from the Aquastat.
- Test for the same 10V signal at the Analog Input to the Steam Actuator.
- Ensure that the Steam Actuator is supplied with 24V AC on the black wire and is properly connected to the common terminal bar by the white wire.
- If the Steam Actuator will not drive the valve open, try manually opening the valve by using the override tool (it looks like an Allen wrench) that is included with the actuator.
- If the actuator will still not open electronically, replace the actuator.



The Unit Runs, But the System Will Not Properly Regulate the HTF Temperature

- Check the Aquastat settings.
- Observe the Steam Actuator to see that its modulations correspond to the positions of the LED indicator on the Aquastat.
- Ensure that the steam supply is adequate for the heating load and is at the correct input pressure of 15PSI.
- Check that the load of DRYAIR accessories that is connected to the heat exchanger does not exert too much of a heat draw; that is, that the heat output is not overloading the heat supply abilities of the HESF1000.

FOR ADDITIONAL ASSISTANCE CALL DRYAIR TECHNICAL SUPPORT 1 (888) 750-1700

7. Maintenance

The DRYAIR system is designed to be a low maintenance system. All system equipment is assembled using extensively tested and certified components. Following these maintenance procedures will ensure the maximum benefit and minimal downtime for the system. The daily maintenance schedule is designed to be a quick system check and ensures a low risk of operating interruptions.

Daily Checklist

A daily inspection of the water heater cabinet should be performed with attention paid to the following:

Condensate Trap

- The condensate trap should be drained daily.
- Drain the condensate trap during the start-up of the unit.

Check HTF Level Every Day

- Maintain between $\frac{1}{4}$ and $\frac{3}{4}$ on the heat transfer level gauge when fluid is hot.
- Top up fluid as necessary.
- For HTF specifications, see Setup, Heat Transfer Fluid HTF, Fluid Specifications.
- For HTF handling precautions, refer to the MSDS.
- If loss of fluid is excessive, check for leaks at all fittings and connections in the water heater cabinet as well as the fluid circulation system.

Check the Supply Temperature Gauge

- Verify that the supply temperature gauge is within 10°F of the Aquastat setting once the system has been brought up to temperature.

Note: Check the gauge panel at regular intervals for any irregular gauge readings.

Seasonal Checklist

Filters

- The Filter-Ball filter screen on the HTF return line should be cleaned every heating season, or as required.
- The Y-strainer filter screen on the steam supply line should be cleaned every heating season, or as required.

Hoses

- Periodically check all hoses for damage due to aging, elevated temperatures, over-torqued hose clamps, abrasion, and weathering.
- Replace damaged hoses, as required.
- Seasonally check hose clamp torque and adjust accordingly.

Heat Transfer Fluid “HTF”

- A clean, properly maintained hot water system should not be drained unless: there is possibility of freezing, the water heater has accumulated a considerable amount of sludge or dirt on the water side, or draining is necessary to permit repairs. Very little sludge should accumulate in a water heater where little make-up water is added and where an appropriate water heater water treatment is maintained at proper strength.
- The HTF should be tested from year to year for freeze protection and should be strong enough for your area. The HTF should be checked with a refractometer. Check the glycol/water mixture chart (*see Setup*):



- *Heat Transfer Fluid (HTF); 4-3* for mixing ratios.
- The pH level of the heat transfer fluid requires an annual check to see if the pH level is neutral. The pH level should be at #7. This should be checked with a pH instrument.

Note: See “*Setup, Heat Transfer Fluid HTF, HTF specifications*” for complete heat transfer fluid specifications.

8. Appendix

Certification & Heater Specifications



		P.O. Box 128 400 Service Road St. Brieux, Sk. Canada
Model / Module:	HESF 1000	
Production Schedule / Calendrier de Production:		
Reference / Référence:		
Motor Data / Données Moteur		
HP	2	
Volts	240	
Hz	60	
Max. Ampacity / Max. Ampacité:	30A	
Unit Data / Données de l'Unité		
Max. Steam Pressure / Pression Vapeur Max.:	15 PSI	
Certified for Indoor and Outdoor Use / Certifié pour l'utilisation à l'intérieur et à l'extérieur		
	Max. Inlet Water Temperature / Température Maximale de L'eau d'Entrée:	85°C
	003-903561 R01	

Figure 15 - Water Heater Data & Serial Plate

Electrical Schematic

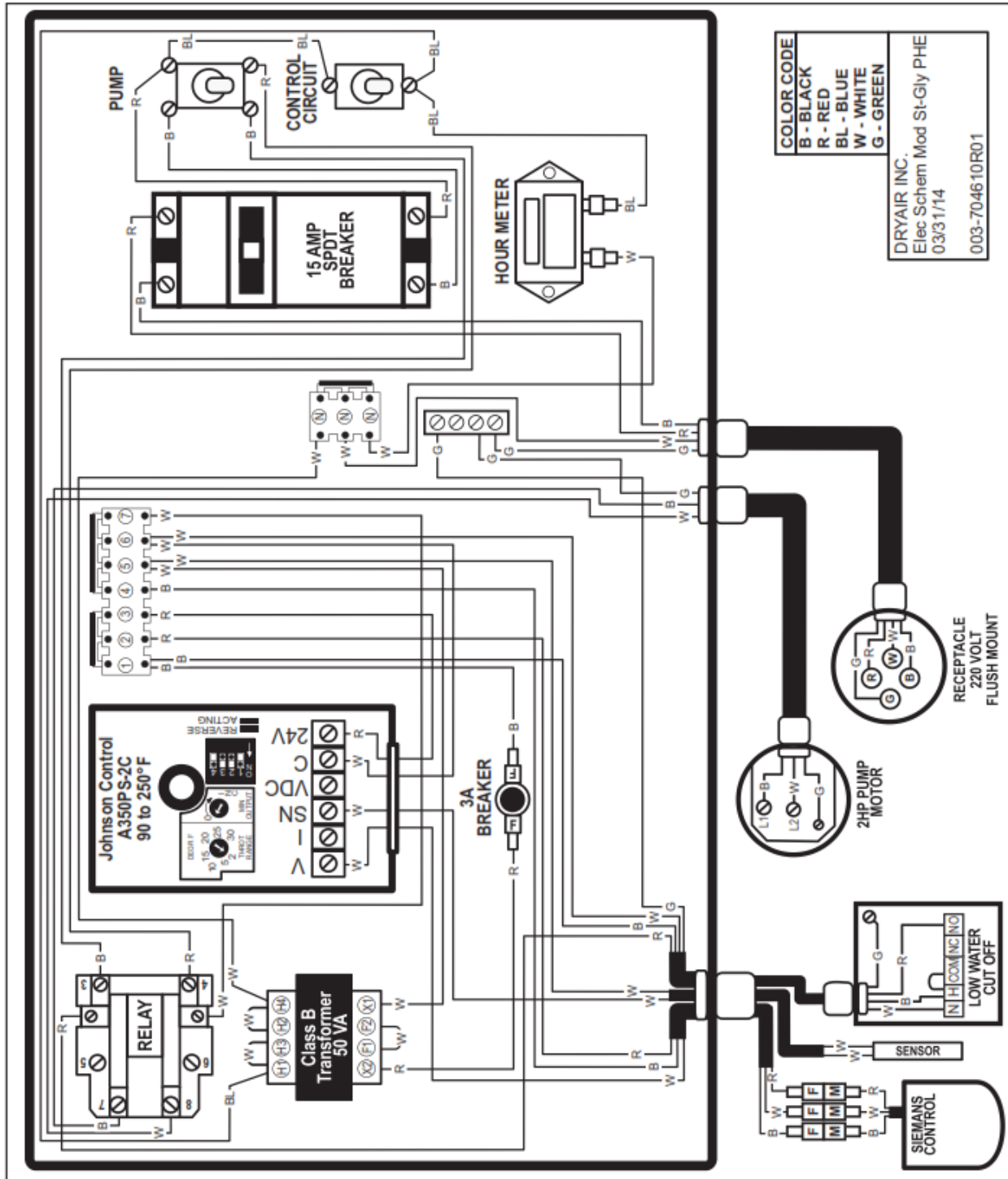


Figure 16 - Electrical Schematic



Material Safety Data Sheets

The Material Safety Data Sheets (MSDS) included with this manual have been provided by DRYAIR's suppliers.



SAFETY DATA SHEET

Issuing Date 03-Jun-2019

Revision date 03-Jun-2019

Revision Number 1

1. Identification

Product identifier

Product Name BOSS Chill Propylene Glycol

Other means of identification

Product Code(s) GHSRBS-041

UN/ID no. UN 3082

Synonyms None

Recommended use of the chemical and restrictions on use

Recommended use Heat transfer medium

Restrictions on use No information available

Details of the supplier of the safety data sheet

Initial supplier identifier

BOSS Lubricants

Manufacturer Address

6303 30 ST SE Calgary, AB T2C 1R4

Emergency telephone number

Initial supplier phone number (800) 844-9457
Emergency Telephone Chemtrec 1-800-424-9300

2. Hazard(s) identification

Classification

Not a hazardous substance or mixture according to the Globally Harmonized System (GHS) and Canada's Hazardous Products Regulations

Label elements

Hazard statements

Not a hazardous substance or mixture according to the Globally Harmonized System (GHS) and Canada's Hazardous Products Regulations.



Precautionary Statements - Disposal

Dispose of contents/container in accordance with local, regional, national, and international regulations as applicable

Other information**3. Composition/information on ingredients****Substance**

Chemical name	CAS No.	Weight-%	Hazardous Material Information Review Act registry number (HMIRA registry #)	Date HMIRA filed and date exemption granted (if applicable)
Water	7732-18-5	0.1 - 1	-	
Propylene glycol	57-55-6	80 - 100	-	
PROPRIETARY ADDITIVES	PROPRIETARY	1 - 5	-	

If CAS number is "proprietary", the specific chemical identity and percentage of composition has been withheld as a trade secret.

4. First-aid measures**Description of first aid measures**

Inhalation	Remove to fresh air. If not breathing, give artificial respiration. IF exposed or concerned: Get medical advice/attention.
Eye contact	IF IN EYES: Rinse cautiously with water for several minutes. Remove contact lenses, if present and easy to do. Continue rinsing. Get medical attention if irritation develops and persists.
Skin contact	Wash off immediately with soap and plenty of water while removing all contaminated clothes and shoes. Get medical attention if symptoms occur.
Ingestion	Do NOT induce vomiting. Call a physician or poison control center immediately. If vomiting occurs spontaneously, keep head below hips to prevent aspiration. Never give anything by mouth to an unconscious person.

Most important symptoms and effects, both acute and delayed

Symptoms	Prolonged contact may cause redness and irritation.
-----------------	---

Indication of any immediate medical attention and special treatment needed

Note to physicians	Treat symptomatically.
---------------------------	------------------------

5. Fire-fighting measures

Suitable Extinguishing Media	Carbon dioxide (CO ₂). Foam. Dry chemical. Water spray or fog. Alcohol resistant foam.
Unsuitable extinguishing media	Do not scatter spilled material with high pressure water streams.
Specific hazards arising from the chemical	Use water spray to cool fire-exposed containers and structures. Isolate and restrict area access. Violent steam generation or eruption may occur upon application of direct water stream to hot liquids. Container may rupture from gas generation in a fire situation. Fight fire from a safe distance and from a protected location. Do not direct a solid stream of water or foam into hot, burning pools; this may cause frothing and increase fire intensity. Consider use of unmanned hose holder or monitor nozzles.
Explosion data	
Sensitivity to mechanical impact	None.
Sensitivity to static discharge	None.
Special protective equipment for fire-fighters	Firefighters should wear self-contained breathing apparatus and full firefighting turnout gear. Use personal protection equipment.

6. Accidental release measures

Personal precautions, protective equipment and emergency procedures

Personal precautions Use personal protective equipment as required. See section 8 for more information. Ensure adequate ventilation.

Methods and material for containment and cleaning up

Methods for containment Stop leak if you can do it without risk. Keep out of drains, sewers, ditches and waterways. Ventilate the area. Avoid breathing vapors or mists.

Methods for cleaning up Cover liquid spill with sand, earth or other noncombustible absorbent material. Prevent product from entering drains.

7. Handling and storage

Precautions for safe handling

Advice on safe handling Avoid breathing dust/fume/gas/mist/vapors/spray. Avoid contact with skin, eyes or clothing. Use only with adequate ventilation. Handle in accordance with good industrial hygiene and safety practice. Do not eat, drink or smoke when using this product. Do not ingest. If swallowed then seek immediate medical assistance. For industrial use only.

Conditions for safe storage, including any incompatibilities

Storage Conditions Keep container tightly closed in a dry and well-ventilated place. Keep away from heat, sparks, flame and other sources of ignition (i.e., pilot lights, electric motors and static electricity). Do not contaminate food or feed stuffs. Store only in containers resistant to alkaline solutions with a pH of 9.0 to 12.0.

8. Exposure controls/personal protection

Control parameters

Exposure Limits This product, as supplied, does not contain any hazardous materials with occupational exposure limits established by the region specific regulatory bodies.

Appropriate engineering controls

Engineering controls Ensure adequate ventilation, especially in confined areas.

Individual protection measures, such as personal protective equipment

Eye/face protection Wear safety glasses with side shields (or goggles). If splashes are likely to occur, wear safety glasses with side-shields. Avoid contact with eyes.

Hand protection Wear suitable gloves.

Skin and body protection Wear suitable protective clothing.

Respiratory protection No protective equipment is needed under normal use conditions. If exposure limits are exceeded or irritation is experienced, ventilation and evacuation may be required.

General hygiene considerations Handle in accordance with good industrial hygiene and safety practice.

9. Physical and chemical properties

Information on basic physical and chemical properties

Physical state Liquid
Appearance No information available
Color purple
Odor Odorless
Odor threshold No information available

<u>Property</u>	<u>Values</u>	<u>Remarks • Method</u>
pH	9.0– 10.5	
Melting point / freezing point	No data available	None known
Boiling point / boiling range	188 °C / 317 °F	ASTM D7213
Flash point	116 °C / 240 °F	ASTM D93
Evaporation rate	No data available	None known
Flammability (solid, gas)	No data available	None known
Flammability Limit in Air		None known
Upper flammability or explosive limits	No data available	
Lower flammability or explosive limits	No data available	
Vapor pressure	No data available	None known
Vapor density	No data available	None known
Relative density	No data available	None known
Water solubility	completely soluble	
Solubility in other solvents	No data available	None known

Partition coefficient	No data available	None known
Autoignition temperature	No data available	None known
Decomposition temperature	No data available	None known
Kinematic viscosity	No data available	None known
Dynamic viscosity	No data available	None known

Other information

Explosive properties	No information available.
Oxidizing properties	No information available.
Softening point	No information available
Molecular weight	No information available
VOC Content (%)	No information available
Liquid Density	No information available
Bulk density	No information available

10. Stability and reactivity

Reactivity	No information available.
Chemical stability	Stable under normal conditions.
Possibility of hazardous reactions	None under normal processing.
Conditions to avoid	Heat, flames and sparks.
Incompatible materials	Strong oxidizing agents. Strong acids.
Hazardous decomposition products	Thermal decomposition can lead to release of irritating and toxic gases and vapors.

11. Toxicological information**Information on likely routes of exposure****Product Information**

Inhalation	No known effects under normal use conditions.
Eye contact	Irritating to eyes.
Skin contact	Avoid contact with skin and clothing.
Ingestion	Harmful if swallowed. Ingestion of larger amounts may cause defects to the central nervous system (e.g. dizziness, headache). Ingestion may cause gastrointestinal irritation, nausea, vomiting and diarrhea. May cause adverse kidney effects.

Symptoms related to the physical, chemical and toxicological characteristics

Symptoms	No information available.
----------	---------------------------

Acute toxicity

Numerical measures of toxicity
No information available

Unknown acute toxicity No information available
Product Information

Chemical name	Oral LD50	Dermal LD50	Inhalation LC50
Propylene glycol 57-55-6	= 20 g/kg (Rat)	= 20800 mg/kg (Rabbit)	Not available

Delayed and immediate effects as well as chronic effects from short and long-term exposure

Skin corrosion/irritation Based on available data, the classification criteria are not met.

Serious eye damage/eye irritation Based on available data, the classification criteria are not met.

Respiratory or skin sensitization Based on available data, the classification criteria are not met.

Germ cell mutagenicity Based on available data, the classification criteria are not met.

Carcinogenicity Based on available data, the classification criteria are not met.

Reproductive toxicity Based on available data, the classification criteria are not met.

STOT - single exposure Based on available data, the classification criteria are not met.

STOT - repeated exposure Based on available data, the classification criteria are not met.

Aspiration hazard No information available.

12. Ecological information

Ecotoxicity Harmful to aquatic life.

Persistence and degradability No information available.

Bioaccumulation No information available.

Other adverse effects No information available.

13. Disposal considerations

Waste treatment methods

Waste from residues/unused products Dispose of waste in accordance with environmental legislation.

Contaminated packaging Do not reuse empty containers.

14. Transport information

<u>Transport Canada</u>	Not regulated
<u>TDG</u>	Not regulated
<u>DOT</u>	Not regulated unless shipping container holds at least 5,000 pounds.
UN/ID no.	UN 3082
Hazard class	9
Packing group	III
<u>MEX</u>	Not regulated
<u>ICAO (air)</u>	no data available
<u>IATA</u>	no data available
<u>IMDG</u>	no data available
<u>RID</u>	no data available
<u>ADR</u>	no data available
<u>ADN</u>	no data available

15. Regulatory information

Safety, health and environmental regulations/legislation specific for the substance or mixture

International Regulations

The Montreal Protocol on Substances that Deplete the Ozone Layer Not applicable

The Stockholm Convention on Persistent Organic Pollutants Not applicable

The Rotterdam Convention Not applicable

International Inventories

TSCA	Complies.
DSL/NDSL	Complies.
EINECS/ELINCS	Contact supplier for inventory compliance status.
ENCS	Contact supplier for inventory compliance status.
IECSC	Contact supplier for inventory compliance status.
KECL	Contact supplier for inventory compliance status.
PICCS	Contact supplier for inventory compliance status.
AICS	Contact supplier for inventory compliance status.

Legend:

TSCA - United States Toxic Substances Control Act Section 8(b) Inventory

DSL/NDSL - Canadian Domestic Substances List/Non-Domestic Substances List

EINECS/ELINCS - European Inventory of Existing Chemical Substances/European List of Notified Chemical Substances

ENCS - Japan Existing and New Chemical Substances

IECSC - China Inventory of Existing Chemical Substances

KECL - Korean Existing and Evaluated Chemical Substances

PICCS - Philippines Inventory of Chemicals and Chemical Substances

AICS - Australian Inventory of Chemical Substances

16. Other information

NFPA	Health hazards 2	Flammability 1	Instability 0	Physical and chemical properties -
HMIS	Health hazards 2	Flammability 1	Physical hazards 0	Personal protection X

Key or legend to abbreviations and acronyms used in the safety data sheet**Legend Section 8: EXPOSURE CONTROLS/PERSONAL PROTECTION**

TWA	TWA (time-weighted average)	STEL	STEL (Short Term Exposure Limit)
Ceiling	Maximum limit value	*	Skin designation

Key literature references and sources for data used to compile the SDS

Agency for Toxic Substances and Disease Registry (ATSDR)
 U.S. Environmental Protection Agency ChemView Database
 European Food Safety Authority (EFSA)
 EPA (Environmental Protection Agency)
 Acute Exposure Guideline Level(s) (AEGl(s))
 U.S. Environmental Protection Agency Federal Insecticide, Fungicide, and Rodenticide Act
 U.S. Environmental Protection Agency High Production Volume Chemicals
 Food Research Journal
 Hazardous Substance Database
 International Uniform Chemical Information Database (IUCLID)
 Japan GHS Classification
 Australia National Industrial Chemicals Notification and Assessment Scheme (NICNAS)
 NIOSH (National Institute for Occupational Safety and Health)
 National Library of Medicine's ChemID Plus (NLM CIP)
 National Library of Medicine's PubMed database (NLM PUBMED)
 National Toxicology Program (NTP)
 New Zealand's Chemical Classification and Information Database (CCID)
 Organization for Economic Co-operation and Development Environment, Health, and Safety Publications
 Organization for Economic Co-operation and Development High Production Volume Chemicals Program
 Organization for Economic Co-operation and Development Screening Information Data Set
 RTECS (Registry of Toxic Effects of Chemical Substances)
 World Health Organization

Issuing Date 03-Jun-2019

Revision date 04-Jun-2019

Revision Note No information available.

Disclaimer

The information provided in this Safety Data Sheet is correct to the best of our knowledge, information and belief at the date of its publication. The information given is designed only as a guidance for safe handling, use, processing, storage, transportation, disposal and release and is not to be considered a warranty or quality specification. The information relates only to the specific material designated and may not be valid for such material used in combination with any other materials or in any process, unless specified in the text.

End of Safety Data Sheet

Data for Regulatory Rules

Region	Template name	Revision Note
Canada	HGHS	2.0

GHS Product Information

pH	9.0– 10.5
Physical state	Liquid
Flash point °C	116
Boiling point / boiling range °C	188

Component Information

Canada

GHS Classification

Not Hazardous

Not a hazardous substance or mixture according to the Globally Harmonized System (GHS) and Canada's Hazardous Products Regulations

Precautionary Statements - Disposal

Dispose of contents/container in accordance with local, regional, national, and international regulations as applicable



SAFETY DATA SHEET

DOW CHEMICAL CANADA ULC

Product name: DOWFROST™ Heat Transfer Fluid

Issue Date: 12/16/2019

Print Date: 12/17/2019

DOW CHEMICAL CANADA ULC encourages and expects you to read and understand the entire (M)SDS, as there is important information throughout the document. We expect you to follow the precautions identified in this document unless your use conditions would necessitate other appropriate methods or actions.

1. IDENTIFICATION

Product name: DOWFROST™ Heat Transfer Fluid

Recommended use of the chemical and restrictions on use

Identified uses: Intended as a heat transfer fluid for closed-loop systems. This product is acceptable for use where there is possibility of incidental food contact and as a product for use in the immersion or spray freezing of wrapped meat and packaged poultry products. We recommend that you use this product in a manner consistent with the listed use. If your intended use is not consistent with the stated use, please contact your sales or technical service representative.

COMPANY IDENTIFICATION

DOW CHEMICAL CANADA ULC
#2400, 215 - 2ND STREET S.W.
CALGARY AB T2P 1M4
CANADA

Customer Information Number:

800-258-2436
SDSQuestion@dow.com

EMERGENCY TELEPHONE NUMBER

24-Hour Emergency Contact (transportation emergencies only): 1-800-424-9300

Local Emergency Contact (transportation emergencies only): 1-800-424-9300

24-Hour Emergency Contact: 1-989-636-4400

2. HAZARDS IDENTIFICATION

Hazard classification

This product is not hazardous under the criteria of the Hazardous Products Regulation (HPR) as implemented under the Workplace Hazardous Materials Information System (WHMIS 2015).

Other hazards

No data available

3. COMPOSITION/INFORMATION ON INGREDIENTS

This product is a mixture.

Component	CASRN	Concentration (w/w)
Propylene glycol	57-55-6	> 95.0 %
Inorganic corrosion inhibitor	not hazardous	< 3.0 %
Water	7732-18-5	< 3.0 %

4. FIRST AID MEASURES

Description of first aid measures

General advice:

If potential for exposure exists refer to Section 8 for specific personal protective equipment.

Inhalation: Move person to fresh air; if effects occur, consult a physician.

Skin contact: Wash off with plenty of water.

Eye contact: Flush eyes thoroughly with water for several minutes. Remove contact lenses after the initial 1-2 minutes and continue flushing for several additional minutes. If effects occur, consult a physician, preferably an ophthalmologist.

Ingestion: Rinse mouth with water. No emergency medical treatment necessary.

Most important symptoms and effects, both acute and delayed:

Aside from the information found under Description of first aid measures (above) and Indication of immediate medical attention and special treatment needed (below), any additional important symptoms and effects are described in Section 11: Toxicology Information.

Indication of any immediate medical attention and special treatment needed

Notes to physician: No specific antidote. Treatment of exposure should be directed at the control of symptoms and the clinical condition of the patient.

5. FIREFIGHTING MEASURES

Extinguishing media

Suitable extinguishing media: Water fog or fine spray.. Dry chemical fire extinguishers.. Carbon dioxide fire extinguishers.. Foam.. Alcohol resistant foams (ATC type) are preferred. General purpose synthetic foams (including AFFF) or protein foams may function, but will be less effective..

Unsuitable extinguishing media: Do not use direct water stream.. May spread fire..

Special hazards arising from the substance or mixture

Hazardous combustion products: During a fire, smoke may contain the original material in addition to combustion products of varying composition which may be toxic and/or irritating.. Combustion products may include and are not limited to:.. Carbon monoxide.. Carbon dioxide..

Unusual Fire and Explosion Hazards: Container may rupture from gas generation in a fire situation.. Violent steam generation or eruption may occur upon application of direct water stream to hot liquids..

Advice for firefighters

Fire Fighting Procedures: Keep people away. Isolate fire and deny unnecessary entry.. Use water spray to cool fire exposed containers and fire affected zone until fire is out and danger of reignition has passed.. Fight fire from protected location or safe distance. Consider the use of unmanned hose holders or monitor nozzles.. Immediately withdraw all personnel from the area in case of rising sound from venting safety device or discoloration of the container.. Burning liquids may be extinguished by dilution with water.. Do not use direct water stream. May spread fire.. Move container from fire area if this is possible without hazard.. Burning liquids may be moved by flushing with water to protect personnel and minimize property damage..

Special protective equipment for firefighters: Wear positive-pressure self-contained breathing apparatus (SCBA) and protective fire fighting clothing (includes fire fighting helmet, coat, trousers, boots, and gloves).. If protective equipment is not available or not used, fight fire from a protected location or safe distance..

6. ACCIDENTAL RELEASE MEASURES

Personal precautions, protective equipment and emergency procedures: Use appropriate safety equipment. For additional information, refer to Section 8, Exposure Controls and Personal Protection.

Environmental precautions: Prevent from entering into soil, ditches, sewers, waterways and/or groundwater. See Section 12, Ecological Information.

Methods and materials for containment and cleaning up: Small spills: Absorb with materials such as: Cat litter. Sawdust. Vermiculite. Zorb-all®. Collect in suitable and properly labeled containers. Large spills: Dike area to contain spill. Recover spilled material if possible. See Section 13, Disposal Considerations, for additional information.

7. HANDLING AND STORAGE

Precautions for safe handling: No special precautions required. Keep container closed. See Section 8, EXPOSURE CONTROLS AND PERSONAL PROTECTION. Spills of these organic materials on hot fibrous insulations may lead to lowering of the autoignition temperatures possibly resulting in spontaneous combustion.

Conditions for safe storage: Do not store in: Galvanized steel. Opened or unlabeled containers. Store in original unopened container. See Section 10 for more specific information. Additional storage

and handling information on this product may be obtained by calling your sales or customer service contact.

Storage stability

Shelf life: Use within 60 Month

8. EXPOSURE CONTROLS/PERSONAL PROTECTION

Control parameters

If exposure limits exist, they are listed below. If no exposure limits are displayed, then no values are applicable.

Consult local authorities for recommended exposure limits.

Component	Regulation	Type of listing	Value
Propylene glycol	US WEEL	TWA	10 mg/m3
	CA ON OEL	TWAEV Total	155 mg/m3 50 ppm
	CA ON OEL	TWAEV	10 mg/m3
	Further information: C: For assessing the visibility in a work environment where 1,2-propylene glycol aerosol is present.		
	CA ON OEL	TWA	155 mg/m3 50 ppm
	CA ON OEL	TWA	10 mg/m3
	Further information: (c): For assessing the visibility in a work environment where 1,2-propylene glycol aerosol is present		
	CA ON OEL	TWA Vapour and aerosols	155 mg/m3 50 ppm
	CA ON OEL	TWA aerosol	10 mg/m3
	Further information: (c): For assessing the visibility in a work environment where 1,2-propylene glycol aerosol is present		

Exposure controls

Engineering controls: Use local exhaust ventilation, or other engineering controls to maintain airborne levels below exposure limit requirements or guidelines. If there are no applicable exposure limit requirements or guidelines, general ventilation should be sufficient for most operations. Local exhaust ventilation may be necessary for some operations.

Individual protection measures

Eye/face protection: Use safety glasses (with side shields).

Skin protection

Hand protection: Use gloves chemically resistant to this material when prolonged or frequently repeated contact could occur. Examples of preferred glove barrier materials include: Butyl rubber. Natural rubber ("latex"). Neoprene. Nitrile/butadiene rubber ("nitrile" or "NBR"). Polyethylene. Ethyl vinyl alcohol laminate ("EVAL"). Polyvinyl chloride ("PVC" or "vinyl"). Avoid gloves made of: Polyvinyl alcohol ("PVA"). NOTICE: The selection of a specific glove for a particular application and duration of use in a workplace should also take into account all relevant workplace factors such as, but not limited to: Other chemicals which may be handled, physical requirements (cut/puncture protection, dexterity, thermal protection), potential body reactions to glove materials, as well as the instructions/specifications provided by the glove supplier.

Other protection: Wear clean, body-covering clothing.

Respiratory protection: Respiratory protection should be worn when there is a potential to exceed the exposure limit requirements or guidelines. If there are no applicable exposure limit

requirements or guidelines, wear respiratory protection when adverse effects, such as respiratory irritation or discomfort have been experienced, or where indicated by your risk assessment process. In misty atmospheres, use an approved particulate respirator. The following should be effective types of air-purifying respirators: Organic vapor cartridge with a particulate pre-filter.

9. PHYSICAL AND CHEMICAL PROPERTIES

Appearance

Physical state	Liquid.
Color	Colorless
Odor	Characteristic
Odor Threshold	No test data available
pH	10.0 50% <i>Literature</i>
Melting point/range	Not applicable to liquids
Freezing point	supercools
Boiling point (760 mmHg)	152 °C <i>Literature</i>
Flash point	closed cup 104 °C <i>Pensky-Martens Closed Cup ASTM D 93</i> (based on major component), Propylene glycol. open cup <i>Cleveland Open Cup ASTM D92</i> None
Evaporation Rate (Butyl Acetate = 1)	<0.5 <i>Estimated.</i>
Flammability (solid, gas)	Not applicable to liquids
Flammability (liquids)	Not expected to be a static-accumulating flammable liquid.
Lower explosion limit	2.6 % vol <i>Literature</i> Propylene glycol.
Upper explosion limit	12.5 % vol <i>Literature</i> Propylene glycol.
Vapor Pressure	2.2 mmHg <i>Literature</i>
Relative Vapor Density (air = 1)	>1.0 <i>Literature</i>
Relative Density (water = 1)	1.05 at 20 °C / 20 °C <i>Literature</i>
Water solubility	<i>Literature</i> completely soluble
Partition coefficient: n-octanol/water	No data available
Auto-ignition temperature	371 °C <i>Literature</i> Propylene glycol.
Decomposition temperature	No test data available
Kinematic Viscosity	43.4 cSt at 20 °C <i>Literature</i>
Explosive properties	No data available
Oxidizing properties	No data available
Molecular weight	76.9 g/mol <i>Literature</i>

NOTE: The physical data presented above are typical values and should not be construed as a specification.

10. STABILITY AND REACTIVITY

Reactivity: No data available

Chemical stability: Stable under recommended storage conditions. See Storage, Section 7.
Hygroscopic

Possibility of hazardous reactions: Polymerization will not occur.

Conditions to avoid: Exposure to elevated temperatures can cause product to decompose. Generation of gas during decomposition can cause pressure in closed systems. Avoid direct sunlight or ultraviolet sources.

Incompatible materials: Avoid contact with: Strong acids. Strong bases. Strong oxidizers.

Hazardous decomposition products: Decomposition products depend upon temperature, air supply and the presence of other materials.. Decomposition products can include and are not limited to: Aldehydes.. Alcohols.. Ethers.. Organic acids..

11. TOXICOLOGICAL INFORMATION

Toxicological information appears in this section when such data is available.

Information on likely routes of exposure

Ingestion, Inhalation, Skin contact, Eye contact.

Acute toxicity (represents short term exposures with immediate effects - no chronic/delayed effects known unless otherwise noted)

Acute oral toxicity

Very low toxicity if swallowed. Harmful effects not anticipated from swallowing small amounts.

For the major component(s): Propylene glycol.
LD50, Rat, > 20,000 mg/kg

Information for components:

Propylene glycol

LD50, Rat, > 20,000 mg/kg

Inorganic corrosion inhibitor

LD50, Rat, female, > 2,000 mg/kg No deaths occurred at this concentration.

Acute dermal toxicity

Prolonged skin contact is unlikely to result in absorption of harmful amounts.

For the major component(s): Propylene glycol.
LD50, Rabbit, > 20,000 mg/kg

Information for components:

Propylene glycol

LD50, Rabbit, > 2,000 mg/kg No deaths occurred at this concentration.

Inorganic corrosion inhibitor

LD50, Rabbit, > 5,000 mg/kg

Acute inhalation toxicity

At room temperature, exposure to vapor is minimal due to low volatility. Mist may cause irritation of upper respiratory tract (nose and throat).

For the major component(s):

LC50, Rat, 4 Hour, vapour, 6.15 mg/l No deaths occurred following exposure to a saturated atmosphere.

Information for components:

Propylene glycol

LC50, Rabbit, 2 Hour, dust/mist, 317.042 mg/l No deaths occurred at this concentration.

Inorganic corrosion inhibitor

Based on information for a similar material: Maximum attainable concentration. LC50, Rat, male and female, 4 Hour, dust/mist, > 0.83 mg/l No deaths occurred at this concentration.

Skin corrosion/irritation

Based on information for component(s):

Prolonged contact is essentially nonirritating to skin.

Repeated contact may cause flaking and softening of skin.

Information for components:

Propylene glycol

Prolonged contact is essentially nonirritating to skin.

Repeated contact may cause flaking and softening of skin.

Inorganic corrosion inhibitor

Prolonged contact may cause slight skin irritation with local redness.

Serious eye damage/eye irritation

Based on information for component(s):

May cause slight temporary eye irritation.

Corneal injury is unlikely.

Information for components:

Propylene glycol

May cause slight temporary eye irritation.

Corneal injury is unlikely.

Mist may cause eye irritation.

Inorganic corrosion inhibitor

May cause slight eye irritation.

May cause slight temporary corneal injury.

Dust may irritate eyes.
Mist may cause eye irritation.

Sensitization

For the major component(s):
Did not cause allergic skin reactions when tested in humans.

For respiratory sensitization:
No relevant data found.

Information for components:

Propylene glycol

Did not cause allergic skin reactions when tested in humans.

For respiratory sensitization:
No relevant data found.

Inorganic corrosion inhibitor

For similar material(s):
Did not demonstrate the potential for contact allergy in mice.

For respiratory sensitization:
No relevant data found.

Specific Target Organ Systemic Toxicity (Single Exposure)

Evaluation of available data suggests that this material is not an STOT-SE toxicant.

Information for components:

Propylene glycol

Evaluation of available data suggests that this material is not an STOT-SE toxicant.

Aspiration Hazard

Based on physical properties, not likely to be an aspiration hazard.

Information for components:

Propylene glycol

Based on physical properties, not likely to be an aspiration hazard.

Chronic toxicity (represents longer term exposures with repeated dose resulting in chronic/delayed effects - no immediate effects known unless otherwise noted)

Specific Target Organ Systemic Toxicity (Repeated Exposure)

In rare cases, repeated excessive exposure to propylene glycol may cause central nervous system effects.

Information for components:

Propylene glycol

In rare cases, repeated excessive exposure to propylene glycol may cause central nervous system effects.

Inorganic corrosion inhibitor

Based on available data, repeated exposures are not anticipated to cause significant adverse effects.

Carcinogenicity

Similar formulations did not cause cancer in laboratory animals.

Information for components:

Propylene glycol

Did not cause cancer in laboratory animals.

Inorganic corrosion inhibitor

No relevant data found.

Teratogenicity

For the major component(s): Did not cause birth defects or any other fetal effects in laboratory animals.

Information for components:

Propylene glycol

Did not cause birth defects or any other fetal effects in laboratory animals.

Inorganic corrosion inhibitor

For similar material(s): Did not cause birth defects or any other fetal effects in laboratory animals.

Reproductive toxicity

For the major component(s): In animal studies, did not interfere with reproduction. In animal studies, did not interfere with fertility.

Information for components:

Propylene glycol

In animal studies, did not interfere with reproduction. In animal studies, did not interfere with fertility.

Inorganic corrosion inhibitor

For similar material(s): In animal studies, did not interfere with reproduction.

Mutagenicity

In vitro genetic toxicity studies were negative. For the major component(s): Animal genetic toxicity studies were negative.

Information for components:

Propylene glycol

In vitro genetic toxicity studies were negative. Animal genetic toxicity studies were negative.

Inorganic corrosion inhibitor

In vitro genetic toxicity studies were negative.

12. ECOLOGICAL INFORMATION

Ecotoxicological information appears in this section when such data is available.

Toxicity

Propylene glycol

Acute toxicity to fish

Material is practically non-toxic to aquatic organisms on an acute basis (LC50/EC50/EL50/LL50 >100 mg/L in the most sensitive species tested).
LC50, Oncorhynchus mykiss (rainbow trout), static test, 96 Hour, 40,613 mg/l, OECD Test Guideline 203

Acute toxicity to aquatic invertebrates

LC50, Ceriodaphnia dubia (water flea), static test, 48 Hour, 18,340 mg/l, OECD Test Guideline 202

Acute toxicity to algae/aquatic plants

ErC50, Pseudokirchneriella subcapitata (green algae), 96 Hour, Growth rate inhibition, 19,000 mg/l, OECD Test Guideline 201

Toxicity to bacteria

NOEC, Pseudomonas putida, 18 Hour, > 20,000 mg/l

Chronic toxicity to aquatic invertebrates

NOEC, Ceriodaphnia dubia (water flea), semi-static test, 7 d, number of offspring, 13,020 mg/l

Inorganic corrosion inhibitor

Acute toxicity to fish

Material is practically non-toxic to aquatic organisms on an acute basis (LC50/EC50/EL50/LL50 >100 mg/L in the most sensitive species tested).
LC50, Leuciscus idus (Golden orfe), static test, 48 Hour, > 900 mg/l, Method Not Specified.

Persistence and degradability

Propylene glycol

Biodegradability: Material is readily biodegradable. Passes OECD test(s) for ready biodegradability. Biodegradation may occur under anaerobic conditions (in the absence of oxygen).

10-day Window: Pass

Biodegradation: 81 %

Exposure time: 28 d

Method: OECD Test Guideline 301F or Equivalent

10-day Window: Not applicable

Biodegradation: 96 %

Exposure time: 64 d

Method: OECD Test Guideline 306 or Equivalent

Theoretical Oxygen Demand: 1.68 mg/mg

Chemical Oxygen Demand: 1.53 mg/mg

Biological oxygen demand (BOD)

Incubation Time	BOD
5 d	69.000 %
10 d	70.000 %
20 d	86.000 %

Photodegradation

Atmospheric half-life: 10 Hour

Method: Estimated.

Inorganic corrosion inhibitor

Biodegradability: Biodegradation is not applicable.

Bioaccumulative potential

Propylene glycol

Bioaccumulation: Bioconcentration potential is low (BCF < 100 or Log Pow < 3).

Partition coefficient: n-octanol/water(log Pow): -1.07 Measured

Bioconcentration factor (BCF): 0.09 Estimated.

Inorganic corrosion inhibitor

Bioaccumulation: No bioconcentration is expected because of the relatively high water solubility.

Mobility in soil

Propylene glycol

Given its very low Henry's constant, volatilization from natural bodies of water or moist soil is not expected to be an important fate process.

Potential for mobility in soil is very high (Koc between 0 and 50).

Partition coefficient (Koc): < 1 Estimated.

Inorganic corrosion inhibitor

No relevant data found.

13. DISPOSAL CONSIDERATIONS

Disposal methods: DO NOT DUMP INTO ANY SEWERS, ON THE GROUND, OR INTO ANY BODY OF WATER. All disposal practices must be in compliance with all Federal, State/Provincial and local laws and regulations. Regulations may vary in different locations. Waste characterizations and compliance with applicable laws are the responsibility solely of the waste generator. AS YOUR SUPPLIER, WE HAVE NO CONTROL OVER THE MANAGEMENT PRACTICES OR MANUFACTURING PROCESSES OF PARTIES HANDLING OR USING THIS MATERIAL. THE INFORMATION PRESENTED HERE PERTAINS ONLY TO THE PRODUCT AS SHIPPED IN ITS INTENDED CONDITION AS DESCRIBED IN MSDS SECTION: Composition Information. FOR

UNUSED & UNCONTAMINATED PRODUCT, the preferred options include sending to a licensed, permitted: Recycler. Reclaimer. Incinerator or other thermal destruction device.

14. TRANSPORT INFORMATION

TDG

Not regulated for transport

Classification for SEA transport (IMO-IMDG):

	Not regulated for transport
Transport in bulk according to Annex I or II of MARPOL 73/78 and the IBC or IGC Code	Consult IMO regulations before transporting ocean bulk

Classification for AIR transport (IATA/ICAO):

Not regulated for transport

This information is not intended to convey all specific regulatory or operational requirements/information relating to this product. Transportation classifications may vary by container volume and may be influenced by regional or country variations in regulations. Additional transportation system information can be obtained through an authorized sales or customer service representative. It is the responsibility of the transporting organization to follow all applicable laws, regulations and rules relating to the transportation of the material.

15. REGULATORY INFORMATION

Canadian Domestic Substances List (DSL)

All substances contained in this product are listed on the Canadian Domestic Substances List (DSL) or are not required to be listed.

16. OTHER INFORMATION

Hazard Rating System

NFPA

Health	Flammability	Instability
0	1	0

Revision

Identification Number: 11045208 / A208 / Issue Date: 12/16/2019 / Version: 8.0

Most recent revision(s) are noted by the bold, double bars in left-hand margin throughout this document.

Legend

CA ON OEL	Canada. Ontario OELs
TWA	8-hr TWA
TWAEV	time-weighted average exposure value
US WEEL	USA. Workplace Environmental Exposure Levels (WEEL)

Full text of other abbreviations

AICS - Australian Inventory of Chemical Substances; ASTM - American Society for the Testing of Materials; bw - Body weight; CERCLA - Comprehensive Environmental Response, Compensation, and Liability Act; CMR - Carcinogen, Mutagen or Reproductive Toxicant; DIN - Standard of the German Institute for Standardisation; DOT - Department of Transportation; DSL - Domestic Substances List (Canada); ECx - Concentration associated with x% response; EHS - Extremely Hazardous Substance; ELx - Loading rate associated with x% response; EmS - Emergency Schedule; ENCS - Existing and New Chemical Substances (Japan); ErCx - Concentration associated with x% growth rate response; ERG - Emergency Response Guide; GHS - Globally Harmonized System; GLP - Good Laboratory Practice; HMIS - Hazardous Materials Identification System; IARC - International Agency for Research on Cancer; IATA - International Air Transport Association; IBC - International Code for the Construction and Equipment of Ships carrying Dangerous Chemicals in Bulk; IC50 - Half maximal inhibitory concentration; ICAO - International Civil Aviation Organization; IECSC - Inventory of Existing Chemical Substances in China; IMDG - International Maritime Dangerous Goods; IMO - International Maritime Organization; ISHL - Industrial Safety and Health Law (Japan); ISO - International Organisation for Standardization; KECI - Korea Existing Chemicals Inventory; LC50 - Lethal Concentration to 50 % of a test population; LD50 - Lethal Dose to 50% of a test population (Median Lethal Dose); MARPOL - International Convention for the Prevention of Pollution from Ships; MSHA - Mine Safety and Health Administration; n.o.s. - Not Otherwise Specified; NFPA - National Fire Protection Association; NO(A)EC - No Observed (Adverse) Effect Concentration; NO(A)EL - No Observed (Adverse) Effect Level; NOELR - No Observable Effect Loading Rate; NTP - National Toxicology Program; NZIoC - New Zealand Inventory of Chemicals; OECD - Organization for Economic Co-operation and Development; OPPTS - Office of Chemical Safety and Pollution Prevention; PBT - Persistent, Bioaccumulative and Toxic substance; PICCS - Philippines Inventory of Chemicals and Chemical Substances; (Q)SAR - (Quantitative) Structure Activity Relationship; RCRA - Resource Conservation and Recovery Act; REACH - Regulation (EC) No 1907/2006 of the European Parliament and of the Council concerning the Registration, Evaluation, Authorisation and Restriction of Chemicals; RQ - Reportable Quantity; SADT - Self-Accelerating Decomposition Temperature; SARA - Superfund Amendments and Reauthorization Act; SDS - Safety Data Sheet; TCSI - Taiwan Chemical Substance Inventory; TSCA - Toxic Substances Control Act (United States); UN - United Nations; UNRTDG - United Nations Recommendations on the Transport of Dangerous Goods; vPvB - Very Persistent and Very Bioaccumulative

Information Source and References

This SDS is prepared by Product Regulatory Services and Hazard Communications Groups from information supplied by internal references within our company.

DOW CHEMICAL CANADA ULC urges each customer or recipient of this (M)SDS to study it carefully and consult appropriate expertise, as necessary or appropriate, to become aware of and understand the data contained in this (M)SDS and any hazards associated with the product. The information herein is provided in good faith and believed to be accurate as of the effective date shown above. However, no warranty, express or implied, is given. Regulatory requirements are subject to change and may differ between various locations. It is the buyer's/user's responsibility to ensure that his

activities comply with all federal, state, provincial or local laws. The information presented here pertains only to the product as shipped. Since conditions for use of the product are not under the control of the manufacturer, it is the buyer's/user's duty to determine the conditions necessary for the safe use of this product. Due to the proliferation of sources for information such as manufacturer-specific (M)SDSs, we are not and cannot be responsible for (M)SDSs obtained from any source other than ourselves. If you have obtained an (M)SDS from another source or if you are not sure that the (M)SDS you have is current, please contact us for the most current version.
CA