



www.esbe.se

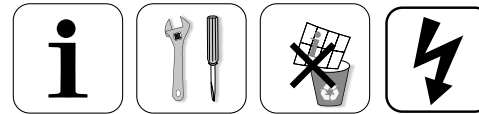


### SERIES ARA600 3-Point

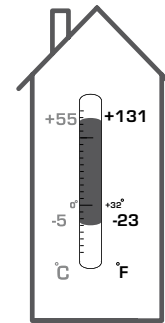


NO.1 IN HYDRONIC SYSTEM CONTROL

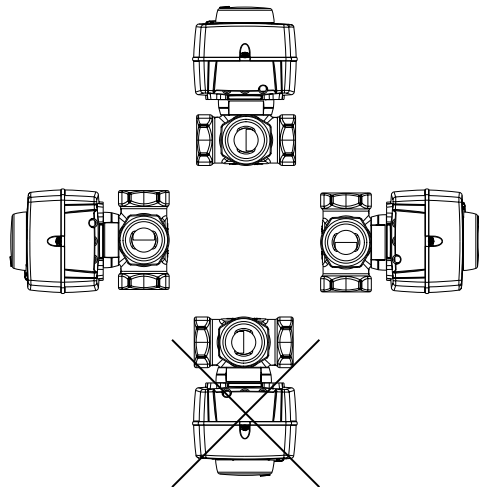
Mtrl.nr. 9814 03 33 • Ritn.nr. 9174 utg. A • Rev. 0904



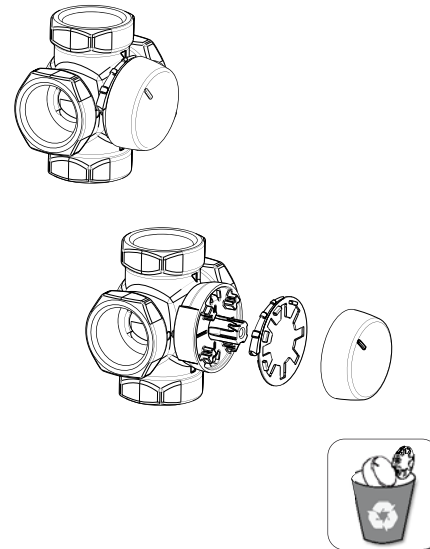
Series ARA644  
Series ARA654  
Series ARA663  
Series ARA664  
CE  
LVD 2006/95/EC  
EMC/2004/108/EC  
RoHS 2002/95/EEC



1

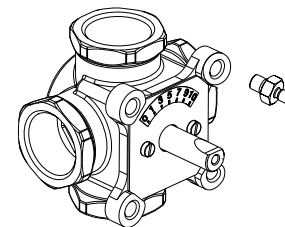


2



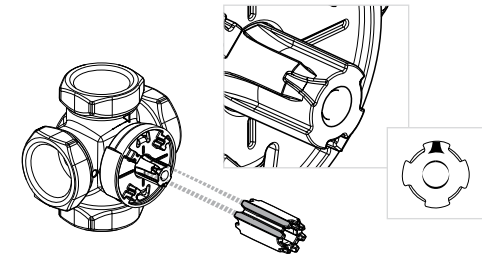
3

	DN15-25	
	DN20-40	
	DN50	

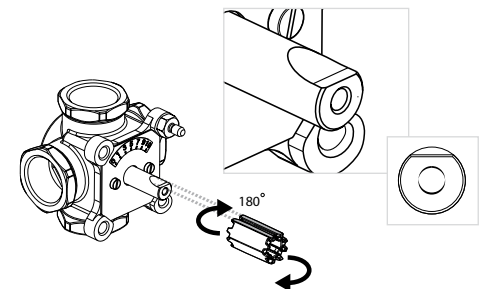


4

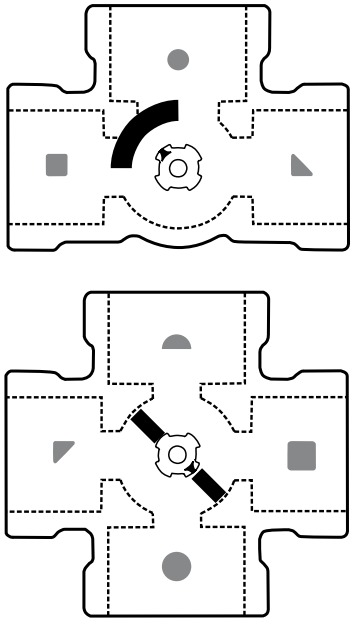
VRG130, VRG140, VRG230, VRB140



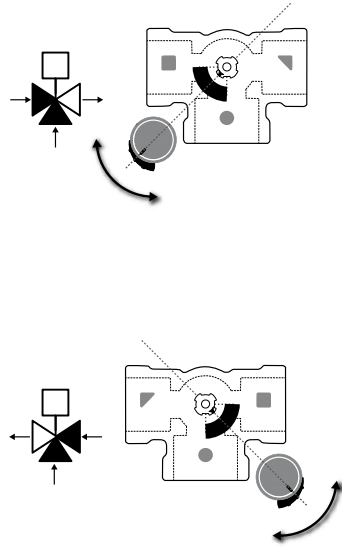
MG, G,



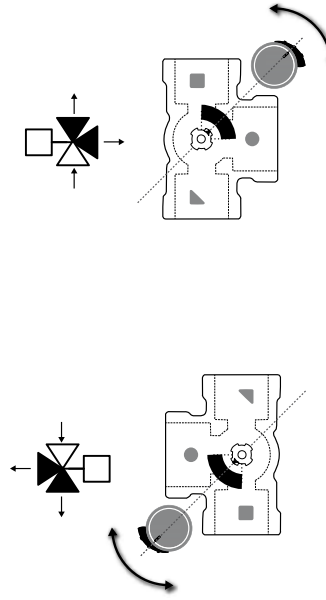
5



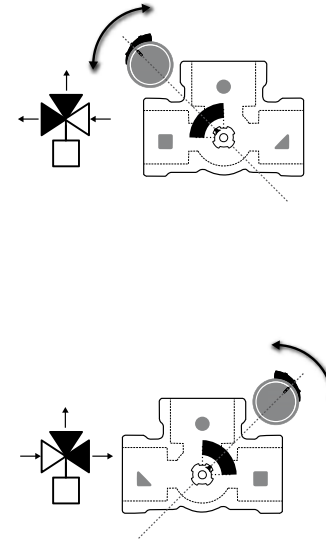
6a



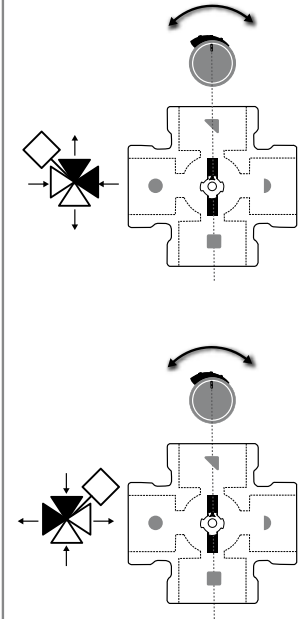
6b



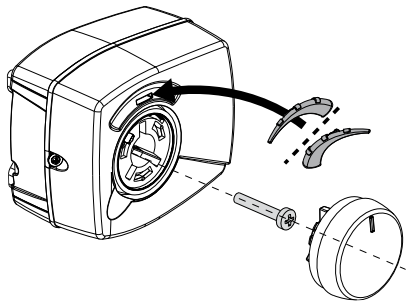
6c



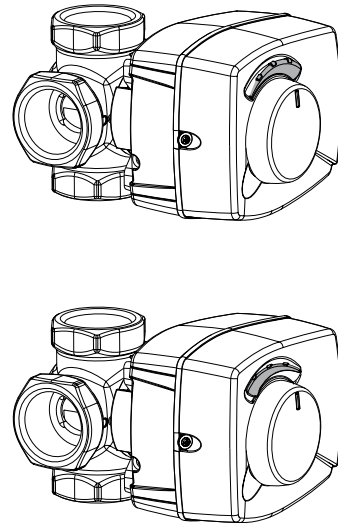
6d



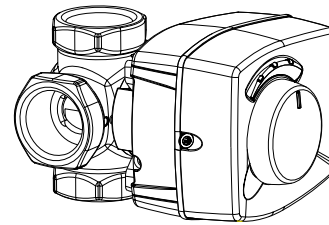
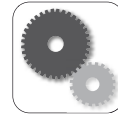
7a



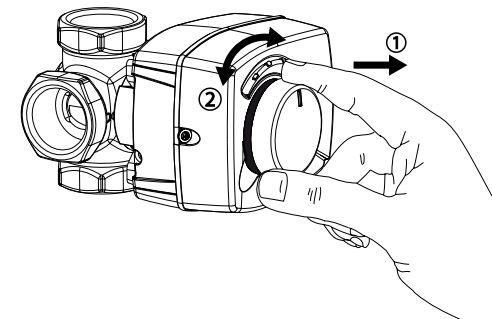
7b

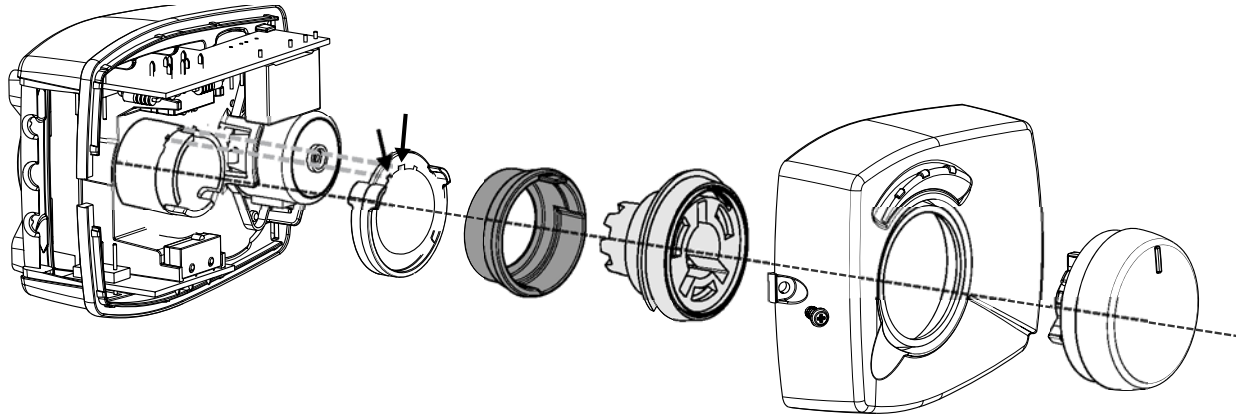


8



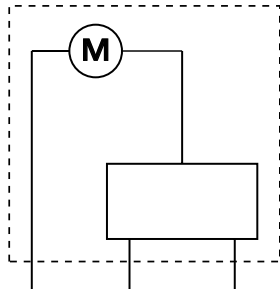
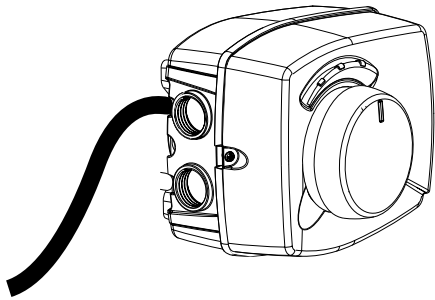
9





11

Series ARA6\_3

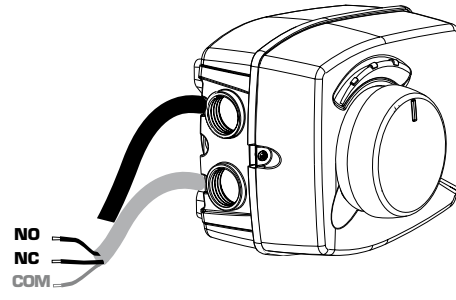


3point/ Floating	<b>N</b> Blue	<b>↺ CCW</b> Black	<b>↻ CW</b> Brown
---------------------	------------------	-----------------------	----------------------

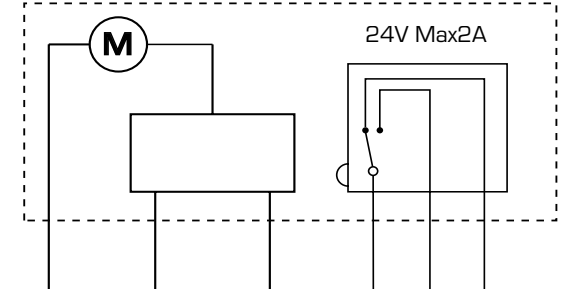
24VAC

12

Series ARA6\_4

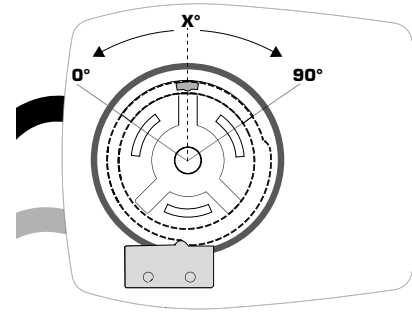
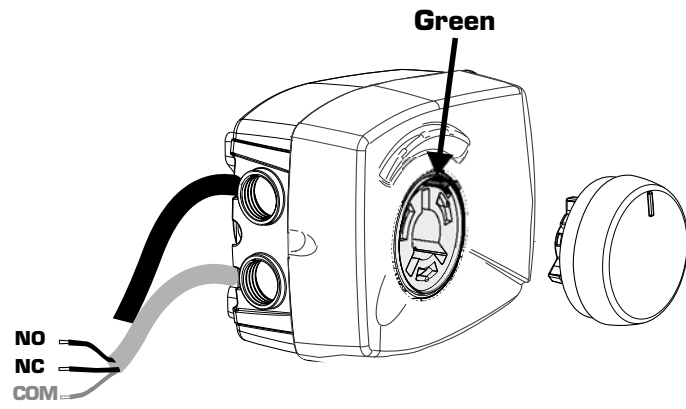


NO  
NC  
COM



3point/ Floating	<b>N</b> Blue	<b>↺ CCW</b> Black	<b>↻ CW</b> Brown	<b>C</b> White	<b>NO</b> Red	<b>NC</b> Orange
---------------------	------------------	-----------------------	----------------------	-------------------	------------------	---------------------

24VAC



	$0^\circ - X^\circ$	$X^\circ - 90^\circ$
NO		
NC		
	$X^\circ = 45^\circ$	