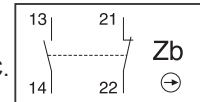


FOOT SWITCHES: CONTACT BLOCK REPLACEMENT AND ADJUSTMENT



Contact blocks are Zb type: double break, electrically separated.

Snap Action or Slow Action
1 N.O. and 1 N.C.

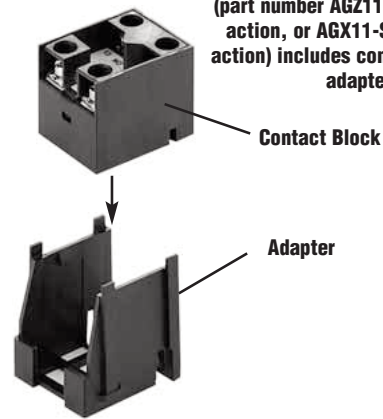


Overview

Foot switches have snap-action or slow-action contacts housed in a replaceable contact block. When replacing contact block, use ADC part number AGZ11-SWITCH for snap-action or AGX11-SWITCH for slow-action, which includes the contact block and adapter. The contact block sits inside the adapter. The contact block has an adjustment screw to control when the contacts trip as the actuator presses against it.

This is especially important with the double model foot switch (APD1231-V0) to make sure that both sets of contacts are set to trip with equal amounts of foot pedal movement.

Replacement Contact Block (part number AGZ11-SWITCH, snap action, or AGX11-SWITCH, slow action) includes contact block and adapter.



www.automationdirect.com

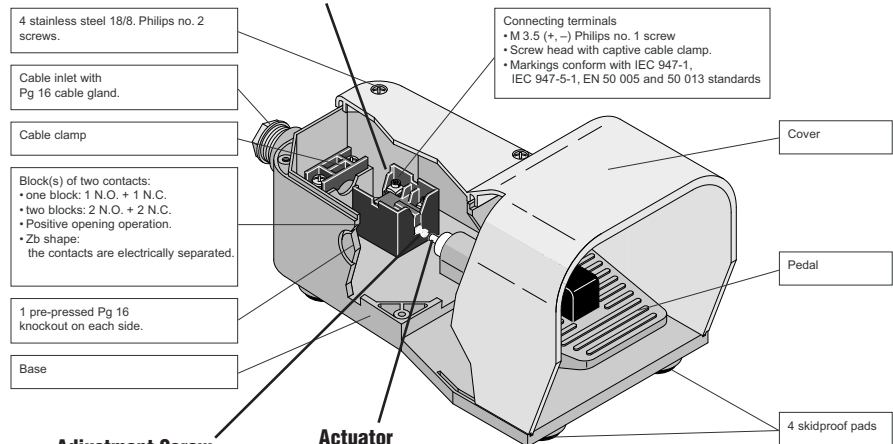


To prevent electric shock, disconnect input power before removing cover and replacing and adjusting contact block.

Replacing and Adjusting Contact Block

1. Remove the foot switch cover and locate the contact block. Before removing old contact block, check to see how far the foot pedal is depressed when the actuator trips the contacts. You'll want to make sure the new contactor trips with the foot pedal in the same position.
2. Carefully disconnect the leads and remove the contact block and adapter.
3. Set the new contact block in place and turn the adjustment screw if needed so the contacts trip when you want them to. Be careful: The adjustment screw is not a captive screw and will come out if you turn it too far.
4. Connect and tighten leads and secure the replacement contact block and adapter. Reinstall cover.

Contact Block and Adapter



Adjustment Screw

Actuator

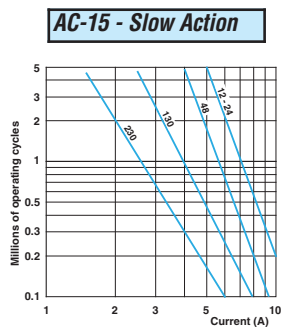
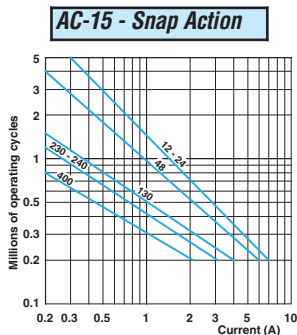


NOTE: ADJUSTMENT SCREW IS NOT A CAPTIVE SCREW AND CAN COME COMPLETELY OUT IF TURNED TOO FAR; TURN A MAXIMUM OF TWO TURNS TO PREVENT THIS.

FOOT SWITCHES: CONTACT BLOCK REPLACEMENT AND ADJUSTMENT

Specifications

Foot Switch General Technical Data	
Standards	IEC 947-5-1
Certifications - Approvals	UL/CUL file E191072, CE
Temperature	Operating (ambient) air temperature: -10 to +70°C (14°F to 158°F) Storage (non-operating) air temperature: -30 to +80°C (-22°F - 176°F)
Environmental	According to IEC 68-2-3 and salty mist according to IEC 68-2-11
Shock (according to IEC 68-2-27 and EN 60 068-2-27)	50g (1/2 sinusoidal shock for 11 ms) no change in contact position
Degree of Protection (according to IEC 529 and EN 60 529)	IP 65
Operating Torque	0.25 N.m (2.2 in-lbs)
Torque - Terminal Screw	Recommended: 0.8 Nm (7.0 lb.in); Maximum 0.9 Nm (8.0 lb.in)
Torque - Cover Screw	Recommended: 0.5 Nm (4.3 lb.in); Maximum 0.8 Nm (7.0 lb.in)
Operating Angle	15 Degree
Cable Inlet	Pg 16 x 1.41 knockout
Foot Switch Electrical Data	
Rated Insulation voltage U_i	690 V (according to IEC 947-1 and EN 60-947-1) Degree of pollution 3
Rated Impulse Withstand Voltage U_{imp}	6 kV (according to IEC 947-1 and EN 60 947-1)
Conventional Free Air Thermal Current I_{th} $\Theta < 40^\circ C$	10 A (according to IEC 947-1)
Short-circuit Protection $U_0 < 500 V$ AC. - gG (gl) type fuses	10 A
Rated Operational Current	A 600 (according to UL 508 and CSA C22-2 n° 14) Q 600 (according to UL 508 and CSA C22-2 n° 14)
AC-15 (according to IEC 947-5-1)	24V 10 A 120V 6 A 230V 3.1 A 240V 3 A 400V 1.8 A
DC-13 (according to IEC 947-5-1)	24V 2.8 A 125V 0.55 A 250V 0.27 A
Resistance Between Contacts	25 mΩ
Connecting Terminals	M3.5 (±) Philips head #1 with cable clamp
Positive Opening Operation (according to IEC 947-5-1)	⊖
Connecting Capacity	(1 or 2 x mm ²) 0.75 to 2.5
Terminal Marking	According to EN 50 013
Life Expectancy	Mechanical: 30 million operations Electrical Operations: Utilization categories AC-15 and DC-13 (Load factor of 0.5 according to curves)



DC-13	Snap Action	Slow Action
Power breaking for a durability of 5 million operating cycles		
Voltage 24 V	9.5 W	12 W
Voltage 48 V	6.8 W	9 W
Voltage 110 V	3.6 W	6 W