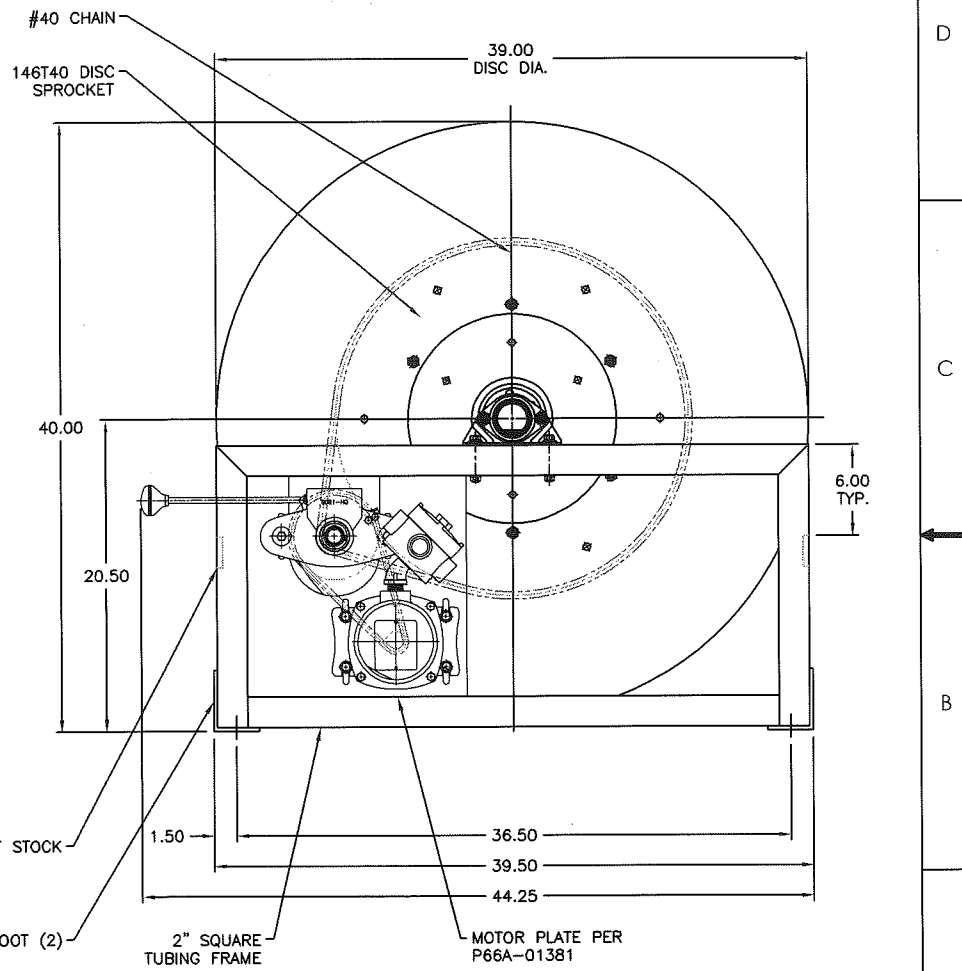
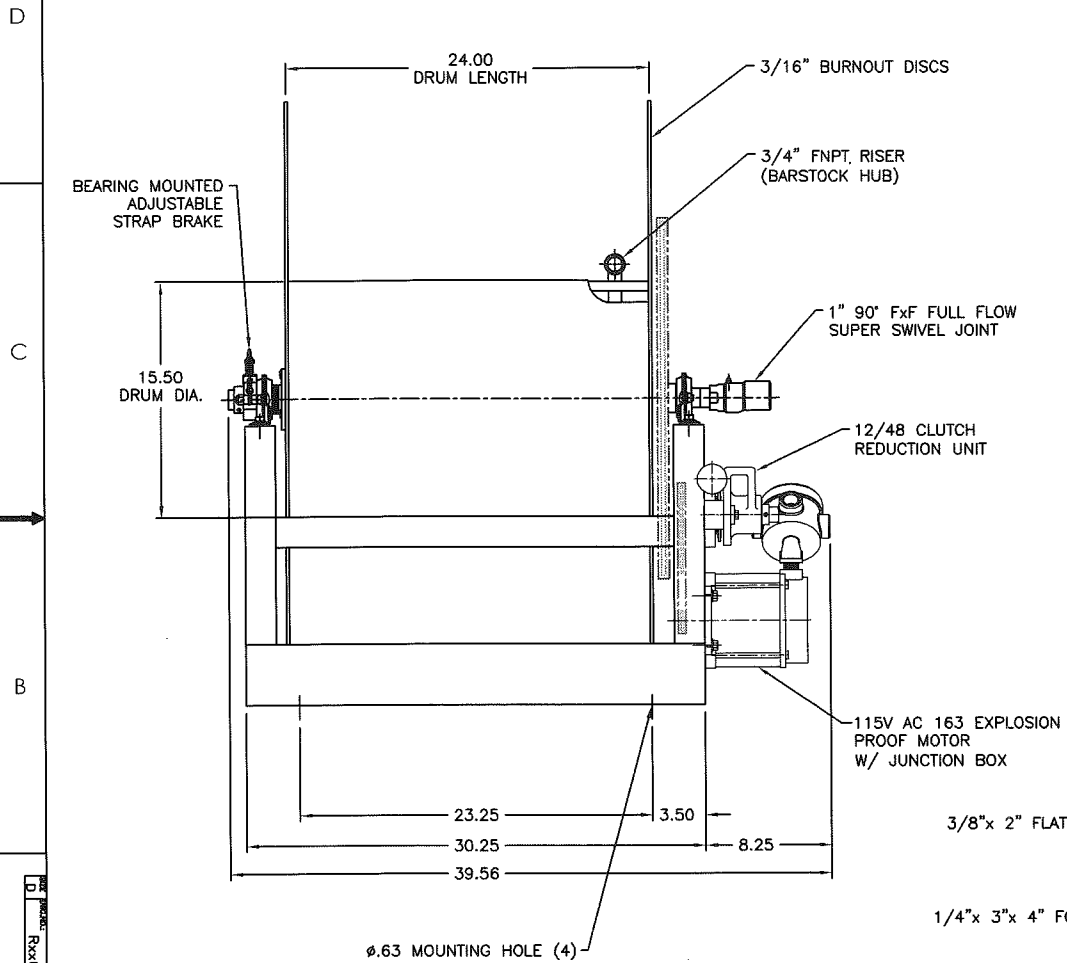
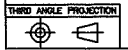


8 7 6 5 4 3 2 1

REVISIONS				
ZONE	REV.	DESCRIPTION	REV. BY	REV. DATE
A		ORIGINAL ISSUE		
B		FOOT WAS 2"x8" & ADDED MOTORPLATE NOTE	CWG	10/27/17
C		ADDED NOTE FOR FOOT & DIM FOR BRACE	CWG	01/15/20



D  
C  
B  
A  
 Rxx60-0519  
 1  
C



UNLESS OTHERWISE SPECIFIED  
 DIMENSIONS ARE IN INCHES  
 TOLERANCES ARE:  
 2 PL DECIMALS ± .02  
 3 PL DECIMALS ± .005  
 ANGLES ± N/A  
 FRACTIONS ± N/A  
 BREAK SHARP CORNERS AND REMOVE BURRS  
 MATERIAL:  
 STEEL  
 DR.BY: C. GUETTLER  
 DATE: 05/26/17  
 CK.BY: K. FRITZ  
 DATE: 05/26/17

553 State Route 143  
 P.O. Box 159  
 Westerlo, NY 12193-0159  
 Phone: (518) 797-3781  
 Toll Free: (877) 467-3357  
 Fax: (505) 733-5464  
 Int'l Fax: (518) 797-3259

**Hannay Reels®**  
*The reel leader*

TITLE:  
 EP 6032-39-40 15.5 RT

SH. OF: SCALE SIZE DWG.NO.:  
 1 1 1/4 D Rxx60-0519

REV. C

THIS DOCUMENT IS THE PROPERTY OF HANNAY REELS, INC. AND CONTAINS PROPRIETARY INFORMATION. IT SHALL NOT BE DUPLICATED IN WHOLE OR IN PART, OR DISCLOSED TO OTHERS, WITHOUT THE EXPRESS WRITTEN CONSENT OF HANNAY REELS, INC.