

GB Single stage operation oil burners

F Brûleurs à huile à une allure



WARNING

RETROFIT APPLICATIONS ONLY

If this burner is being installed in a packaged unit (ie. burner comes with a boiler or furnace), follow the installation and set-up instructions supplied with the heating unit, as settings may differ from those shown in this manual.

- *The following pages contain information, descriptions and diagrams for the proper installation and wiring of the burner. Please read carefully before attempting final installation.*
- *This manual is to remain with the final installation designation. It is the installer's responsibility to ensure that the burner installation and operation instructions mentioned in this manual are followed and operated within local code authority limits.*



ATTENTION

POUR APPLICATIONS DE MISE À NIVEAU UNIQUEMENT

Si ce brûleur doit être installé avec un autre appareil avec lequel il est livré (comme une chaudière ou un four), il faudra suivre la notice livrée avec l'unité chauffante dans la mesure où les instructions peuvent différer de celles reportées dans ce manuel.

- *Les pages qui suivent contiennent toutes les informations, descriptions et schémas permettant une installation et un branchement approprié du brûleur. Veuillez lire attentivement ce manuel avant de procéder à l'installation de l'appareil.*
- *Ce manuel doit être conservé par l'utilisateur de l'appareil. L'installateur doit veiller à ce que les instructions pour l'installation et le fonctionnement du brûleur reportées dans ce manuel soient respectées et appliquées selon la loi du pays d'installation de l'appareil.*



CODE	MODEL - MODÈLE	TYPE
3726313	F10 WITH MANUAL AIR SHUTTER F10 AVEC OBTURATEUR D'AIR MANUEL	263T
3726394	F10 WITH MANUAL AIR SHUTTER F10 AVEC OBTURATEUR D'AIR MANUEL	263T



WARNING

INSTALLATION PRECAUTIONS

AIR FOR COMBUSTION

Do not install burner in room with insufficient air for combustion. Be sure there is an adequate air supply for combustion if the boiler/furnace room is enclosed. It may be necessary to create a window to permit sufficient air to enter the boiler/furnace room. The installer must follow local ordinances in this regard.

CANADA It is suggested that the installer follow CSA standard B139.

USA It is suggested that the installer follow NFPA manual #31.

CHIMNEY

Be sure chimney is sufficient to handle the exhaust gases. It is recommended that only the burner be connected to the chimney. Be sure that it is clean and clear of obstructions.

OIL FILTER

An external oil filter is REQUIRED, even though there is an internal strainer in the pump. The filter should be replaced at least once a year, and the filter container should be thoroughly cleaned prior to installing a new filter cartridge.

DRAFT

Follow the instructions furnished with the heating appliance. The pressure in the combustion area should be kept as close to zero as possible. The burner will operate with a slight draft or pressure in the chamber.

ELECTRICAL CONNECTIONS

CANADA All electrical connections should be done in accordance with the C.E.C. Part 1, and all local codes. The system should be grounded.

USA All electrical connections should be done in accordance with the National Electrical Code, and all local ordinances. The system should be grounded.

CONTROL BURNER OPERATION

Check out the burner and explain its operation to the homeowner. Be sure to leave the Owner's Instruction sheet with the homeowner.

FIRE EXTINGUISHER

If required by local codes, install an approved fire extinguisher.

ELECTRICAL CONNECTIONS

In most localities, a number 14 wire should be used inside a metal conduit. The system should be grounded. A service switch should be placed close to the burner on a fireproof wall in an easily accessible location.

TABLE OF CONTENTS

PACKAGE CONTENTS LIST	1
SERIAL NUMBER IDENTIFICATION	1
TECHNICAL DATA	2
Specifications	2
Burner and mounting flange dimensions	2
Burner components identification	2
INITIAL SET-UP	3
ASSEMBLY OF AIR TUBE TO BURNER CHASSIS	3
MOUNTING BURNER TO BOILER OR FURNACE	3
Method 1-Universal Mounting Flange	3
Method 2-Semi-flange Collar	4
Method 3-Pedestal Mount	4
ELECTRICAL CONNECTIONS	5
APPLICATION FIELD WIRING	5
NOZZLE PLACEMENT	6
INSERTION / REMOVAL OF DRAWER ASSEMBLY	7
ELECTRODE SETTING	7
TURBULATOR SETTING	7
OIL LINE CONNECTIONS	8
Single line (Gravity feed system)	8
Two line (Lift system)	9
PUMP PURGE	10
Single line (Gravity feed system)	10
Two line (Lift system)	10
SETTING THE AIR ADJUSTMENT PLATE	11
BURNER SET-UP CHART	11
DUCTED COMBUSTION AIR INTAKE APPLICATIONS	12
BURNER START-UP CYCLE	13
EXPLODED SPARE PARTS LIST	14
SPARE PARTS LIST	15
BURNER START-UP FORM	16

PACKAGE CONTENTS LIST

Your Riello 40 burner should include the following parts. Please check to make sure all parts are present before beginning the installation.

Quantity	Description	Code
1	Burner chassis with cover	3726313 - 3726394
1	Universal mounting flange + mounting gasket	2567390
1	Parts bag	2566281 - 2566287
1	Parts bag	2567337
1	Installation manual	2902554
	Separate carton - OEM burners shipped with combustion head mounted	
1	Air Tube/Drawer Assembly	
1	By-pass plug	

Parts bag 2566281 - 2566287

Quantity	Description
1	Female 1/4" NPT adapter
1	Male 3/8" NPT adapter
1	Oil pump connector (supply)
1	Oil pump connector (return)
2	Mounting flange bolts (short)
2	Nuts
2	Chrome nuts

Parts bag 2567337

Quantity	Description
2	Semi-flange bolts (long)
2	Semi-flanges
2	Cover screws
2	Nuts

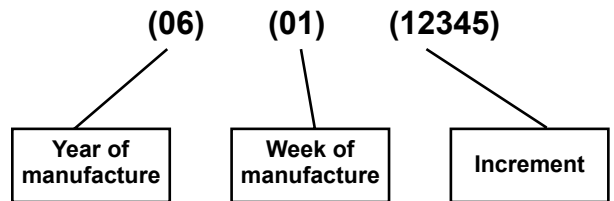
SERIAL NUMBER IDENTIFICATION

Your Riello burner may have been manufactured in more than one location and therefore there are two possible serial number identification.

The Riello 9 character serial number, example,

06 01 12345, is identified as follows:

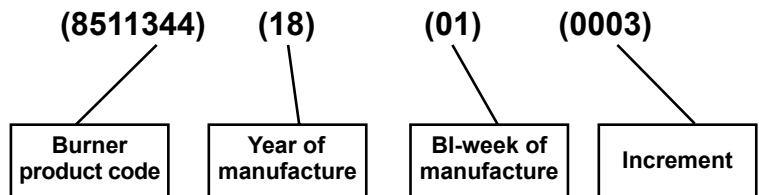
- 06** = Last two digits of the year of manufacture;
- 01** = Week of manufacture;
- 12345** = Increment of 1 for each burner produced – specific to product code – reset to zero each January 1st.



The Riello 15 character serial number, example,

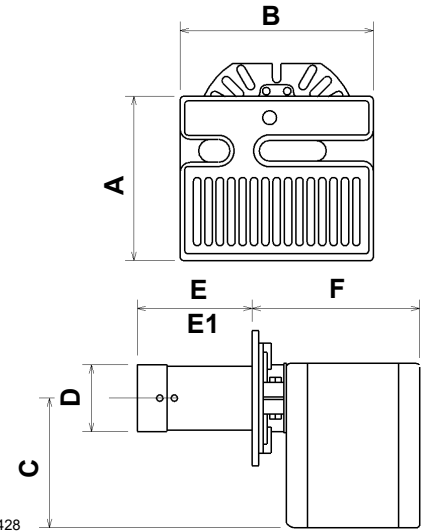
8511344 18 01 0003, is identified as follows:

- 8511344** Burner product code;
- 18** Last two digits of the year of manufacture;
- 01** BI-week of manufacture;
- 0003** Increment of 1 for each burner produced – specific to product code – reset to zero each January 1st.



TECHNICAL DATA SPECIFICATIONS

Fuel	No. 2 Fuel Oil
Firing rate	1.45 to 2.95 GPH 4.7 to 9.5 kg/h
Effective output	203,000 to 413,000 BTU/h - 59.5 to 121 kW 51,160 to 104,130 kcal/h
Voltage (single phase)	120V 60Hz (+ 10% - 15%)
Absorbed electrical power	230 Watts
Motor (rated)	3250 rpm Run Current 2.2 AMP
Capacitor	12.5 Microfarads 260V
Pump pressure	100 to 200 psi
Primary control	RIELLO 530 SE/C
Ignition transformer	8kV 16mA

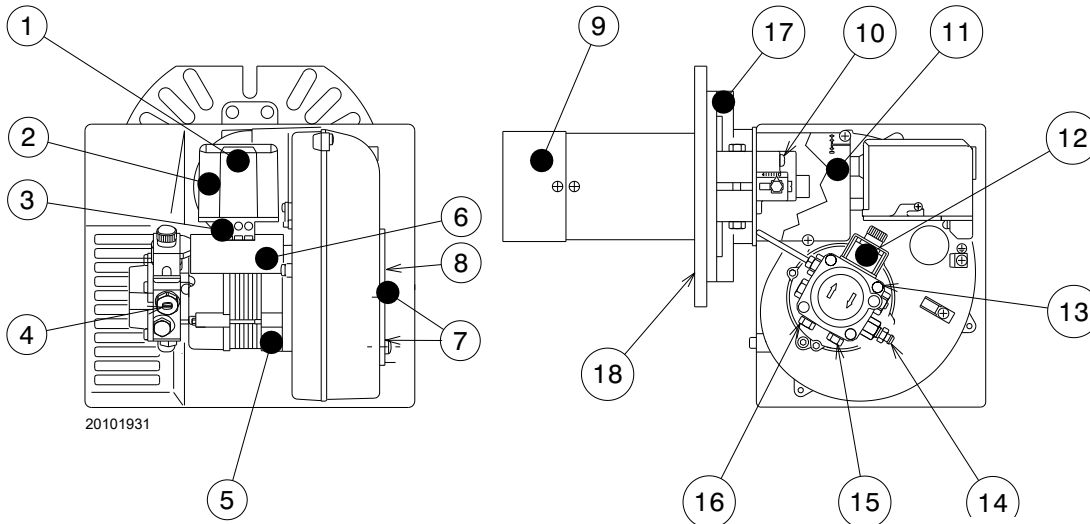


BURNER AND MOUNTING FLANGE DIMENSIONS

Model F10	A	B	C	D	E	F	G	H	I	L
Inches	10 5/16	12	8 1/32	3 15/16	5	10 7/16	1 1/4	1/4	7/16	2 3/16
mm	262	305	204	100	127	265	32	6	11	56

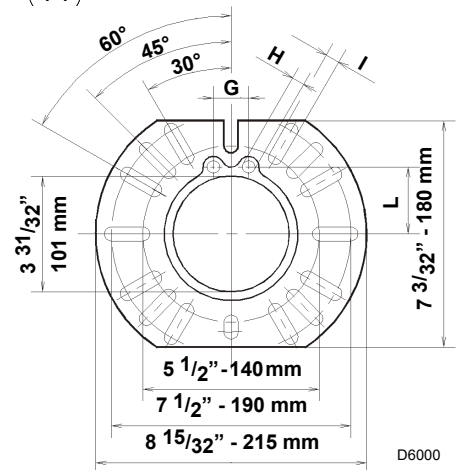
E1: 10-inch long (254mm) tubes are also available.

BURNER COMPONENTS IDENTIFICATION



BURNER COMPONENTS

- | | |
|--|-----------------------------------|
| 1 Lockout indicator lamp and Reset button | 10 Turbulator adjustment screw |
| 2 Primary control | 11 Air tube cover |
| 3 Primary control sub-base | 12 Coil |
| 4 Pump pressure regulator adjustment screw | 13 Vacuum gauge connection port |
| 5 Motor | 14 Pressure gauge connection port |
| 6 Capacitor | 15 Return fuel line port |
| 7 Air adjustment fixing screws | 16 Supply fuel line port |
| 8 Air shutter | 17 Adjustable collar |
| 9 End cone | 18 Mounting flange with gasket |

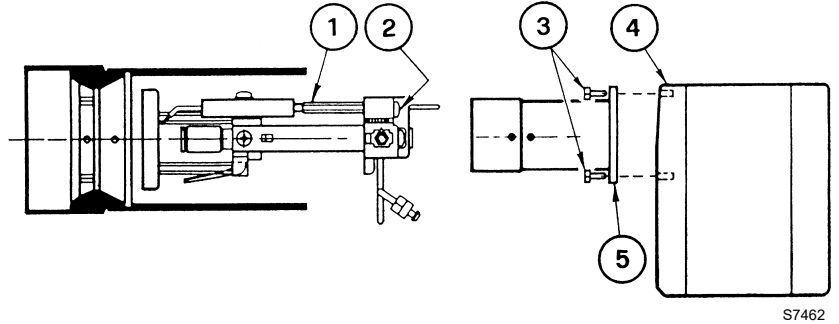


INITIAL SET-UP

- A) Remove burner and air tube from cartons. Check parts list (inside cover) to ensure all parts are present.
- B) Remove burner cover by loosening the three screws securing it. Remove control box and air tube cover.
- C) Remove drawer assembly from air tube, insert nozzle and set Turbulator adjustment for specific input required, then set aside.
- D) Mount air tube to burner chassis.

ASSEMBLY OF AIR TUBE TO BURNER CHASSIS

The air tube and drawer assembly are shipped in a carton separate from the burner chassis. Choose the proper air tube length to obtain the tube insertion for the specific installation.



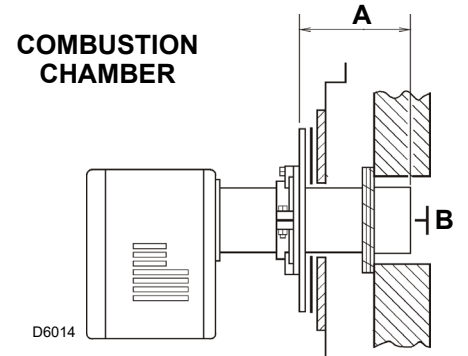
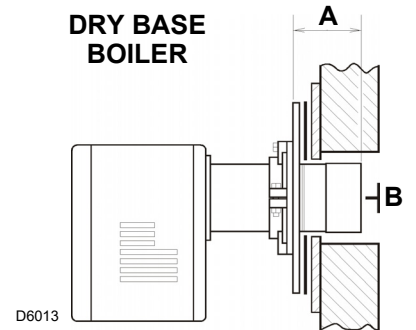
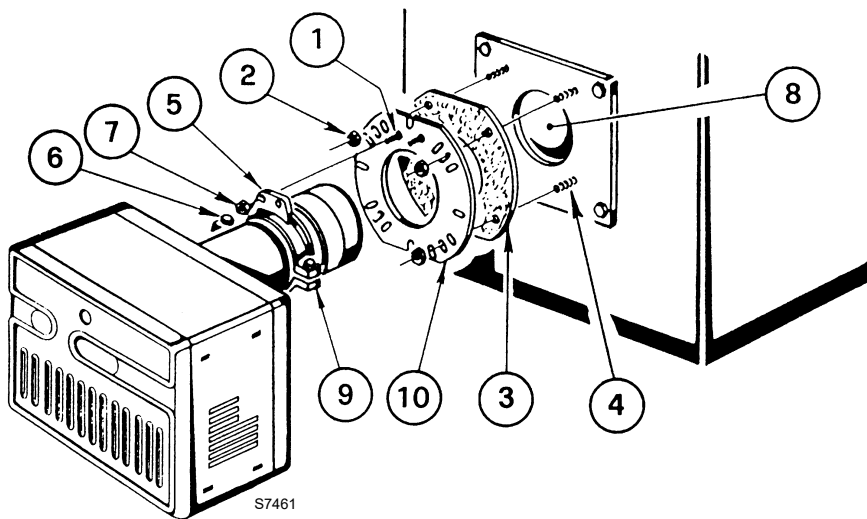
- A) Remove the AIR TUBE and BURNER CHASSIS from their respective cartons.
- B) Remove the DRAWER ASSEMBLY (1) from inside the AIR TUBE by loosening the screw (2). Carefully pull the DRAWER ASSEMBLY out of the AIR TUBE, install the required nozzle (see page 8) and set aside.
- C) Remove the two BOLTS (3) from FRONT PLATE (4) of the BURNER CHASSIS. Align the two holes on the AIR TUBE HOLDING PATE (5) with the two holes on the BURNER CHASSIS FRONT PLATE with the BOLTS (3) removed. Replace the BOLTS and fingers tighten only. Re-install DRAWER ASSEMBLY into AIR TUBE. Tighten SCREW (2) securely.
- D) Tighten the two bolts (3) securely.

MOUNTING THE BURNER TO THE BOILER OR FURNACE

There are three possible methods to mount the burner, depending on the individual application. These are:

- 1) Universal flange bolted to Boiler/Furnace unit.
- 2) Semi-flange collar bolted to Boiler/Furnace unit.
- 3) Universal flange mounted to optional Pedestal mount, where flange mounting direct to appliance is not possible. Pedestal kit must be ordered separately.

METHOD 1 – UNIVERSAL MOUNTING FLANGE



- A) Insert the two BOLTS (1) into the UNIVERSAL MOUNTING FLANGE (10) from the flat side, ensuring the bolt heads are flush with the flat surface. Secure in place using two special CHROME NUTS (2) provided.
- B) Position the MOUNTING GASKET (3) between the flat surface of the UNIVERSAL MOUNTING FLANGE (10) and the appliance.
Line up the holes in the UNIVERSAL MOUNTING FLANGE with the STUDS (4) on the appliance mounting plate and securely bolt the UNIVERSAL MOUNTING FLANGE to the plate.
- C) Secure the two semi-flanges of the ADJUSTABLE COLLAR (9) to the AIR TUBE using the two long BOLTS (6).
Be sure that the ADJUSTABLE COLLAR (9) is properly positioned so the outside edge of the END CONE will be at least 1/4 inch (6.5 mm) back from the inside wall of the refractory of the combustion chamber (see dimension B above). The measured length (A) is to include MOUNTING GASKET and FLANGE, if used.
- D) The burner may now be attached to the heating unit by insetting the AIR TUBE through the BURNER ACCESS HOLE (8) and into the appliance, making sure the BOLTS (1) line up with the two HOLES (5) in the ADJUSTABLE COLLAR (9). Secure the burner in place using two NUTS (7).
- A visual verification of the air tube insertion into the combustion chamber of the heating unit is suggested. Dimension B should be at least 1/4" (see drawing).

NOTE:

A suggested method for creating mounting bolt holes in the mounting gasket: Hold the gasket against the appliance mounting bolts using the mounting flange for proper positioning. Lightly tap the flange with a hammer to form the holes.

METHOD 2 – SEMI-FLANGE COLLAR

- A) Follow item C from METHOD 1.
- B) Align the air tube and attached adjustable collar so air tube is centered in the burner access hole of the boiler/furnace unit.
Mark the center of the two holes in the ADJUSTABLE COLLAR on to the front plate of the heating unit. Then drill 1/4 inch (6.5 mm) holes through the front plate of the unit, using marks as a guide.
- C) Install two short BOLTS (1) through the front plate of the heating unit from the inside, and secure on the outside using the two special CHROME NUTS (2).
- D) Follow item D from METHOD 1.

METHOD 3 – PEDESTAL MOUNT

Secure the MOUNTING FLANGE to MOUNTING PEDESTAL using the hardware provided with the pedestal. Secure burner to MOUNTING FLANGE as in METHOD 1, item A, C and D.

NOTE:

It is suggested that the pedestal be anchored in position on the floor by installing brackets over the pedestal tube and securing brackets to the floor.

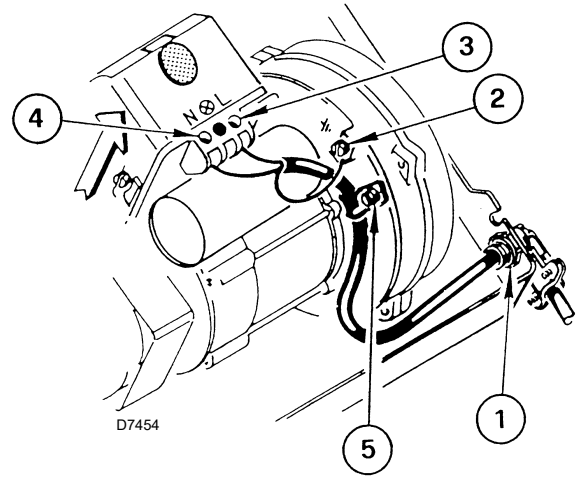
**WARNING**

WHEN THE COMBUSTION CHAMBER IS LINED WITH A REFRACTORY MATERIAL, IT IS IMPERATIVE THAT THE END CONE NOT PROTRUDE INTO THE CHAMBER AREA, AS EXCESSIVE HEAT AT BURNER SHUT DOWN WILL DAMAGE THE END CONE.

ELECTRICAL CONNECTIONS

It is advisable to leave the control box off the sub-base while completing the electrical connection to the burner.

- 1) Wire access hole (Use BX electrical connector)
- 2) Earth ground conductor terminal (Green wire)
- 3) Hot conductor terminal (Black wire)
- 4) Neutral conductor terminal (White wire)
- 5) Strain relief clamp



WARNING:

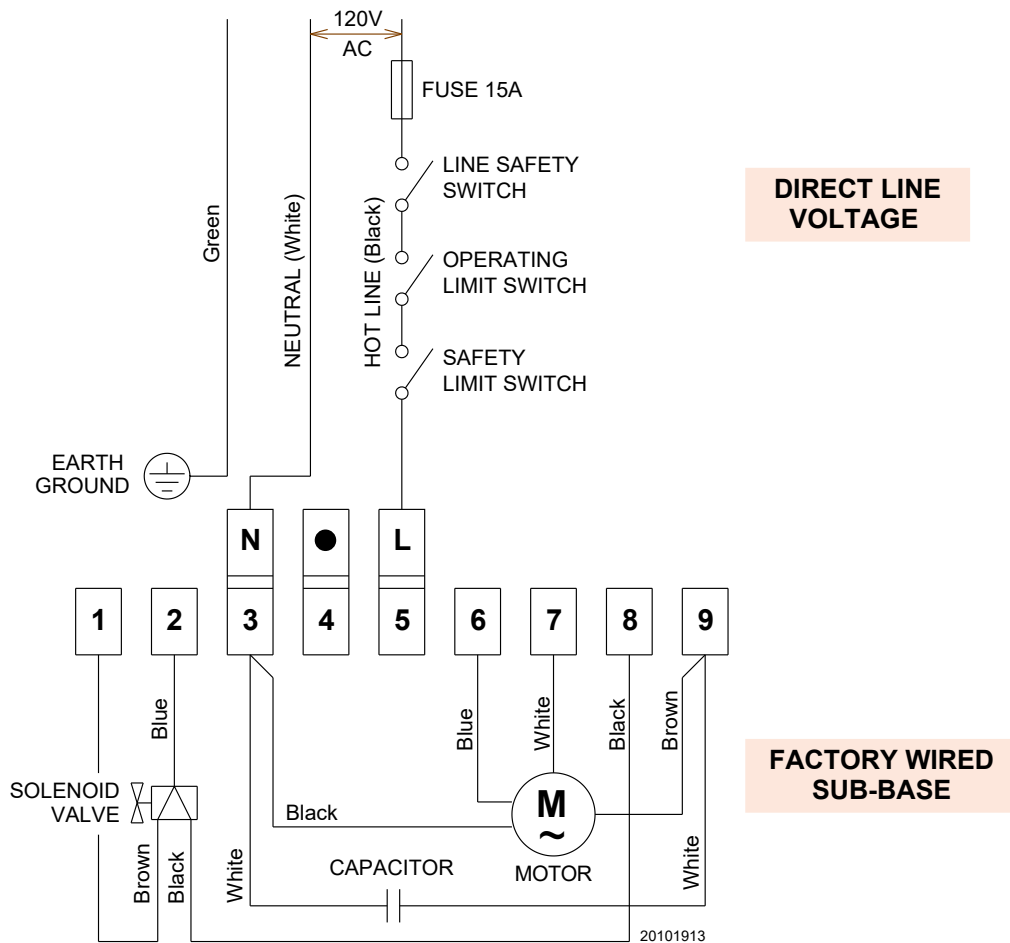
The hot (black) wire must be connected to the L terminal and the neutral (white) wire must be connected to the N terminal or the primary safety control will be damaged. Do not connect wither wire to the terminal marked ⊗.

Using the appropriate diagram below, make electrical connections to burner. All wiring must be done in accordance with existing electrical codes, both national and local.

When all electrical connections have been made, the control box may be put back in place on the sub-base.

WARNING: DO NOT activate burner until proper oil line connections have been made, or failure of the pump shaft seal may occur.

APPLICATION FIELD WIRING



NOTE:

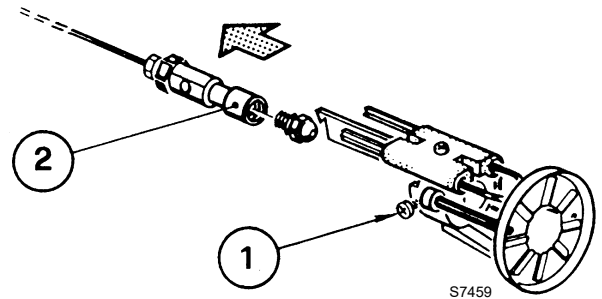
Terminal 4 is to be used to activate a remote safety lockout circuit only. A 120V AC source is supplied to Terminal 4 upon lockout. The maximum allowable current draw for this circuit is 1 AMP.

IMPORTANT:

If a neutral or ground lead is attached to Terminal 4, the control box will be damaged should lockout occur.

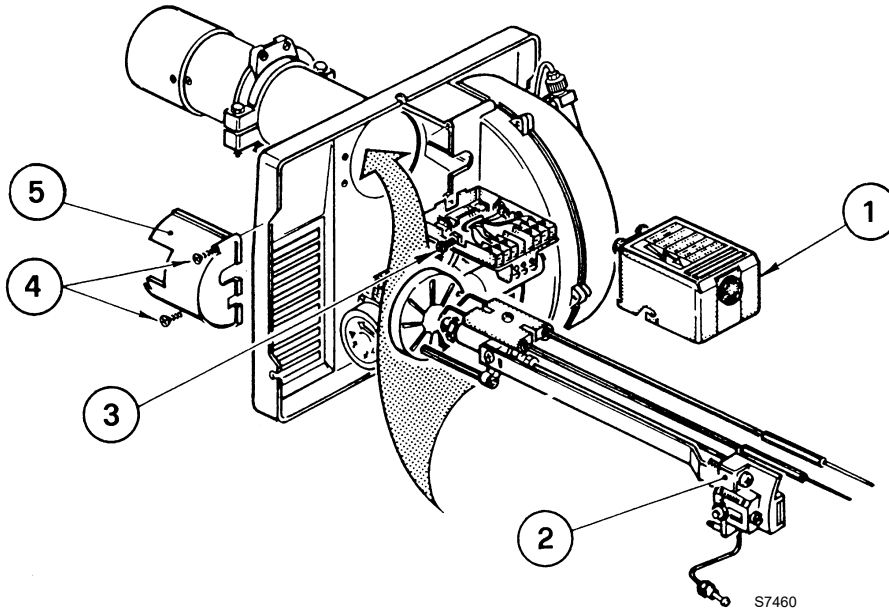
NOZZLE PLACEMENT

- A) Determine the proper firing rate for the boiler or furnace units, considering the specific application, and then use the Burner Setup Charts to select the proper nozzle and pump pressure to obtain the required input from the burner.
- B) Remove the NOZZLE ADAPTER (2) from the DRAWER ASSEMBLY by loosening the SCREW (1).
- C) Insert the proper NOZZLE into the NOZZLE ADAPTER and tighten securely (Do not over tighten).
- D) Replace adapter, with nozzle installed, into drawer assembly and secure with screw (1).



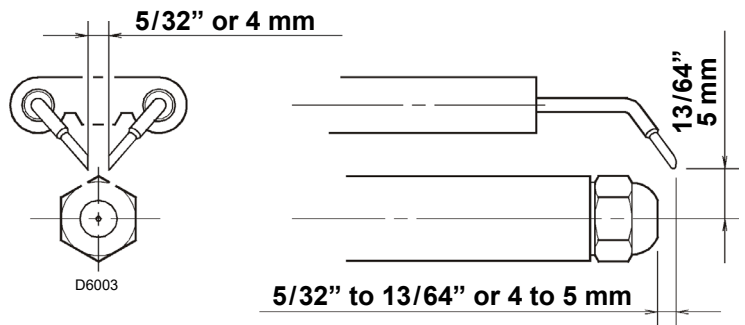
INSTALLATION/REMOVAL OF DRAWER ASSEMBLY

- A) To remove drawer assembly, loosen SCREW (3), then unplug CONTROL BOX (1) by carefully pulling it back and then up.
- B) Remove the AIR TUBE COVER PLATE (5) by loosening the two retaining SCREWS (4).
- C) Loosen SCREW (2), then slide the complete drawer assembly out of the combustion head as shown.
- D) To insert drawer assembly, reverse the procedure in items A to C above, then attach fuel line to the pump.



ELECTRODE SETTING

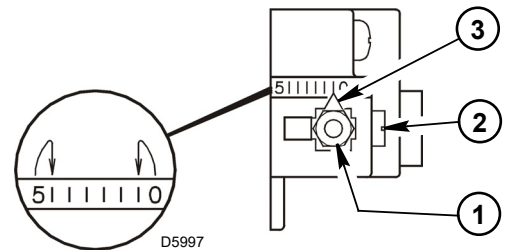
IMPORTANT:
These dimensions must be observed and verified.



TURBULATOR SETTING

- A) Loosen NUT (1), then turn SCREW (2) until the INDEX MARKER (3) is aligned with the correct index number as per the Burner Set-up chart, on page 12.
- B) Retighten the RETAINING NUT (1).

NOTE:
Zero and five are scale indicators only. From left to right, the first line is 5 and the last line 0.



OIL LINE CONNECTIONS

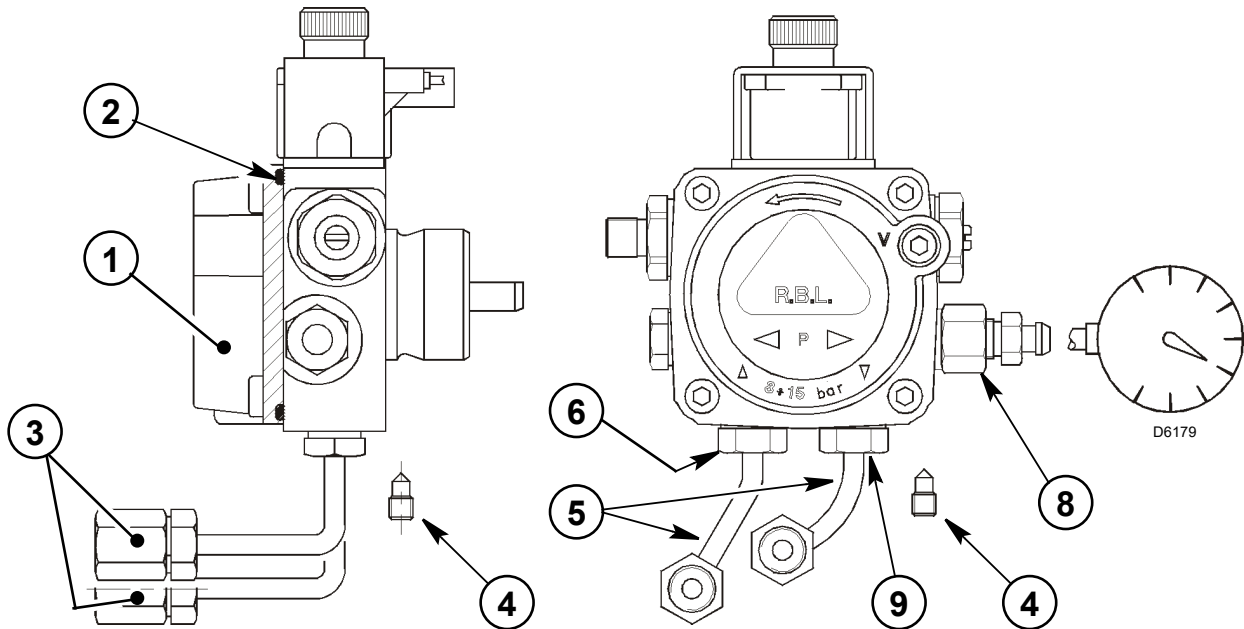
This burner is shipped with the oil pump set to operate on a **single** line system.

To operate on a **two** line system the by-pass plug **must** be installed.

WARNING: Do not operate a **single** line system with the by-pass plug installed. Operating a **single** line system with the by-pass plug installed will result in damage to the pump shaft seal.

NOTE: Pump pressure must be set at time of burner start-up. A pressure gauge is attached to the **PRESSURE PORT (8)** for pressure readings. Two **PIPE CONNECTORS (5)** are supplied with the burner for connection to either a single or a two-pipe system. Also supplied are two **ADAPTORS (3)**, two female 1/4" NPT, to adapt oil lines to burner pipe connectors. All pump port threads are **British Parallel Thread** design. Direct connection of NPT threads to the pump **will damage** the pump body.

Riello manometers and vacuum gauges do **not** require any adaptors, and can be safely connected to the pump ports. An NPT (metric) adapter **must** be used when connecting other gauge models.

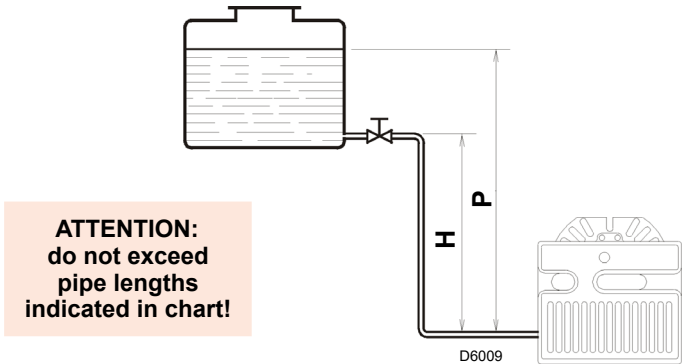


SINGLE LINE (GRAVITY FEED)

A) The burner is shipped configured for use in single line applications. No changes to the oil pump are required for use in single line applications.

NOTE: If the **pump cover (1)** is removed for any reason, be sure the O-ring (2), is properly seated in the pump cover (1) before re-attaching the pump cover to the pump housing.

B) Connect the pipe connector to the **SUPPLY PORT (6)** of the pump. Attach the required piping to this pipe connector. Be sure that the plug in the **RETURN PORT (9)** is tightened securely.



SINGLE LINE SYSTEM - PIPE LENGTHS					
H		3/8" OD		1/2" OD	
Feet	Meters	Feet	Meters	Feet	Meters
1 1/2	0.5	33	10	65	20
3	1.0	65	20	130	40
5	1.5	130	40	260	80
6 1/2	2.0	195	60	325	100

TWO LINE (LIFT SYSTEM)

A) If a two line system is required, install the By-pass plug (4) provided. The by-pass plug is installed in the return port (9) of the pump.

A 2.5 mm hexagonal key provided with the by pass plug is to be used to install the plug. **DO NOT** use an inch size hexagonal key, damage to the by-pass plug may result. When operating on a two line system, supply and return lines should be the same diameter and both **should extend to the same depth inside the fuel tank**. Be sure there are no air leaks or blockages in the piping system. Any obstructions in the return line will cause failure of the pump shaft seal. Do not exceed the pipe lengths indicated in the tables.

To install the by-pass plug:

- 1) Remove the return plug (9).
- 2) Install the by-pass plug (4) using the 2.5 mm hexagonal key.

B) Attach the two PIPE CONNECTORS (5) to the pump SUPPLY and pump RETURN PORTS (6 and 9). Attach the required piping to these two pipe connectors using the NPT/METRIC ADAPTERS that are supplied with the burner.

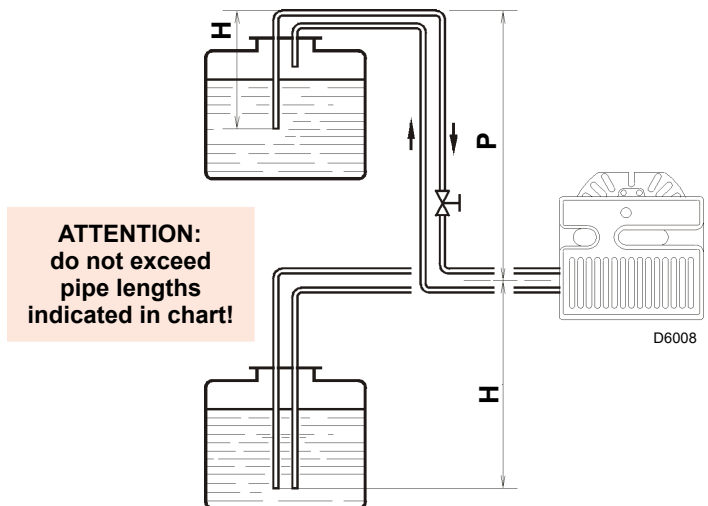
WARNING:

- Pipe dope or Teflon tapes are **NOT** to be used on any direct oil connection to the fuel pump.
- The height 'P' in Pipe Length Charts should not exceed 13 feet (4 m).
- The vacuum should not exceed 11.44 inches of mercury.

IMPORTANT:

An external, appropriately listed and certified oil filter must be placed in the fuel line between the fuel tank and the burner pump.

2 LINE (LIFT) SYSTEM - PIPE LENGTHS					
H		3/8" OD		1/2" OD	
Feet	Meters	Feet	Meters	Feet	Meters
0	0.0	115	35	330	100
1 1/2	0.5	100	30	330	100
3	1.0	80	25	330	100
5	1.5	65	20	295	90
6 1/2	2.0	50	15	230	70
9 1/2	3.0	25	8	100	30
11	3.5	20	6	65	20



PUMP PURGE

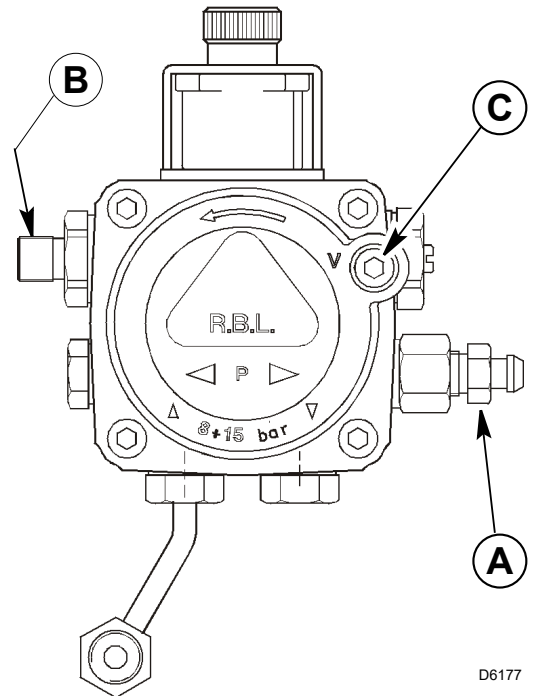
NOTE

To protect the pump gears, it is advisable to lubricate the pump prior to purging a lift system. Apply oil through the VACUUM PORT (C).

A) SINGLE LINE (GRAVITY FEED SYSTEM)

- A) Loosen the bleeder valve (A) until oil flows out. Tighten the bleeder valve securely and start burner.
 B) When bleeding the pump by pressure.

- 1) Loosen the bleeder valve (A).
- 2) Disconnect nozzle oil supply line at the pump nozzle port (B).
- 3) Attach a flexible plastic tube to the pump nozzle port, directing the oil flow into a bucket.
- 4) Loosen the screws securing the air tube cover, allowing it to be removed freely.
- 5) Holding the air tube cover in its proper location start the burner.
- 6) When the solenoid valve is engaged, approximately 10 seconds after starting, remove the air tube cover and shine a light source on the flame sensor, allowing it to see false light.
- 7) Run the burner until the fuel pump has been purged of air, then tighten the bleeder valve and immediately shut down the burner.
- 8) Reinstall the air tube cover and nozzle line.
- 9) The burner can now be started normally.



D6177

WARNING:

Omitting steps 2 and 3 **will result in** a collection of unburned oil in the combustion chamber creating a **hazardous situation** upon burner startup.

B) TWO LINE (LIFT SYSTEM)

Turn off the main power source to the burner and remove the air tube cover. Shine a light source on the flame sensor (now visible where the air tube cover was removed), return power to the burner and activate the burner.

With the light source in place, the burner will operate in prepurge only.

Once the burner is purged, turn off the power source and replace the air tube cover.

Return power to the burner.

The burner is now ready to operate.

ATTENTION:

It is important that the fuel line be completely sealed and free from air leaks or any internal blockages.

WARNING!

WHEN THE BYPASS PLUG IS INSTALLED, A TWO PIPE SYSTEM MUST BE USED OR FAILURE OF THE PUMP SHAFT SEAL WILL OCCUR.

SETTING THE AIR ADJUSTMENT PLATE

A) Regulation of the combustion air flow is made by adjustment of the manual AIR ADJUSTMENT PLATE (1) after loosening the FIXING SCREWS (2 & 3).

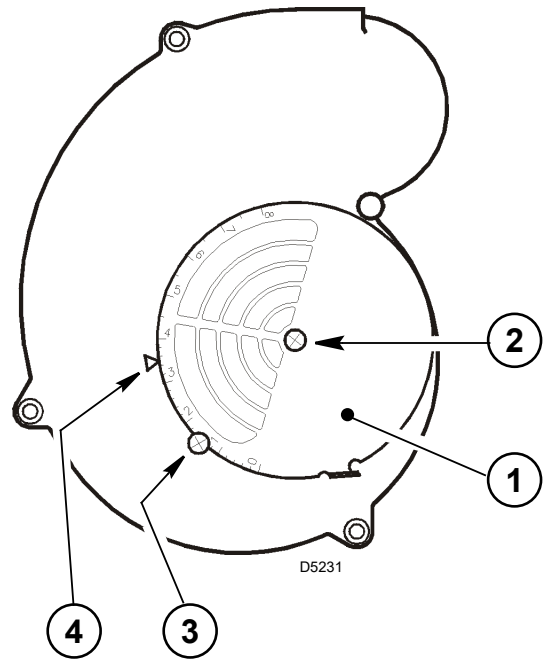
The initial setting of the air adjustment plate should be made according to Column 5 in the Burner Set-up Chart.

B) The proper number on the manual AIR ADJUSTMENT PLATE (1) should line up with the SETTING INDICATOR (4) on the fan housing cover.

Once set, the air adjustment plate should be secured in place by tightening SCREWS 2 and 3.

C) The final position of the air adjustment plate will vary on each installation.

Use instruments to establish the proper settings for maximum CO₂ and a smoke reading of zero.



NOTE:

Variations in flue gas, smoke, CO₂ and temperature readings may be experienced when the burner cover is put in place. Therefore, the burner cover **must** be in place when making the final combustion instrument readings, to ensure proper test results.

BURNER SET-UP CHART

NON-RETROFIT APPLICATIONS

If this burner is being installed in a packaged unit (ie. burner comes with a boiler or furnace), follow the installation and set-up instructions supplied with the heating unit, as settings will differ from those shown in this manual.

1		2	3		4	5
Actual Firing Rate ± 5%		Nozzle Size	Pump Pressure		Turbulator Setting	Air Damper Setting
GPH	kg/h	GPH	PSI	bar		
1.45	4.7	1.25 x 60°	145	10	1.5	2.7
1.80	5.8	1.50 x 60°	145	10	2.0	2.8
2.10	6.8	1.75 x 60°	145	10	2.5	3.1
2.40	7.8	2.00 x 60°	145	10	3.5	3.4
2.75	8.9	2.25 x 60°	150	10.4	4.0	4.2
2.95	9.5	2.50 x 60°	140	9.8	4.5	4.2

NOZZLES RECCOMANDED:

Monarch R-PLP, Delavan W-B, Danfoss S-B, Steinen SS-S, Hago P.

NOTE: A 60° degree nozzle is suggested, however, a 80° degree nozzle may be used in cases where the flame is unstable at light-off when operated at low ambient temperatures.

DUCTED COMBUSTION AIR INTAKE APPLICATIONS

The “Ducted combustion air intake kit” (see P.N. 3002762 in the spare parts list - OPTIONAL), allows ducting of external air directly into the burner. A 4” diameter air intake is provided in the kit.

To mount this kit on the burner, please follow the installation description given in the kit instruction sheet. If the burner code 3726394 is used, the pre-sheared cover must be adopted (see P:N: 3020509 in the spare parts list) to apply the 4” diameter air intake. Use a 4” to 6” pipe adapter (not supplied in the kit) to use a 6” diameter pipe.

The settings of the burner must be according to the BURNER SETUP CHART – AIR INTAKE APPLICATIONS below.

MODEL F10 BURNER SETUP CHART with 4" diameter pipe							
Actual firing rate GPH	Nozzle size	Pump pressure PSI	Head setting	20 Ft. pipe length	50 Ft. pipe length	80 Ft. pipe length	100 Ft. pipe length
				Air Setting	Air Setting	Air Setting	Air Setting
1.45	1.25 x 60°/80°	145	1.5	2.3	2.4	2.5	2.5
1.80	1.50 x 60°/80°	145	2.0	2.9	3.0	3.0	3.0
2.10	1.75 x 60°/80°	145	2.5	3.7	3.8	3.8	3.8
2.40	2.00 x 60°/80°	145	3.5	4.4	4.5	4.5	4.5
2.75	2.25 x 60°/80°	150	5.0	5.5	6.0	6.4	6.5

MODEL F10 BURNER SETUP CHART with 6" diameter pipe							
Actual firing rate GPH	Nozzle size	Pump pressure PSI	Head setting	20 Ft. pipe length	50 Ft. pipe length	80 Ft. pipe length	100 Ft. pipe length
				Air Setting	Air Setting	Air Setting	Air Setting
1.45	1.25 x 60°/80°	145	1.5	2.3	2.4	2.4	2.5
1.80	1.50 x 60°/80°	145	2.0	2.8	2.8	2.9	2.9
2.10	1.75 x 60°/80°	145	2.5	3.5	3.5	3.6	3.7
2.40	2.00 x 60°/80°	145	3.5	4.2	4.2	4.3	4.4
2.75	2.25 x 60°/80°	150	4.5	5.2	5.2	5.5	6.5
2.89	2.50 x 60°/80°	145	5.0	6.0	6.0	7.0	8.0

NOZZLES RECCOMANDED:

Monarch R-PLP, Delavan W-B, Danfoss S-B, Steinen SS-S, Hago P.

NOTE: A 60° degree nozzle is suggested, however, a 80° degree nozzle may be used in cases where the flame is unstable at light-off when operated at low ambient temperatures.

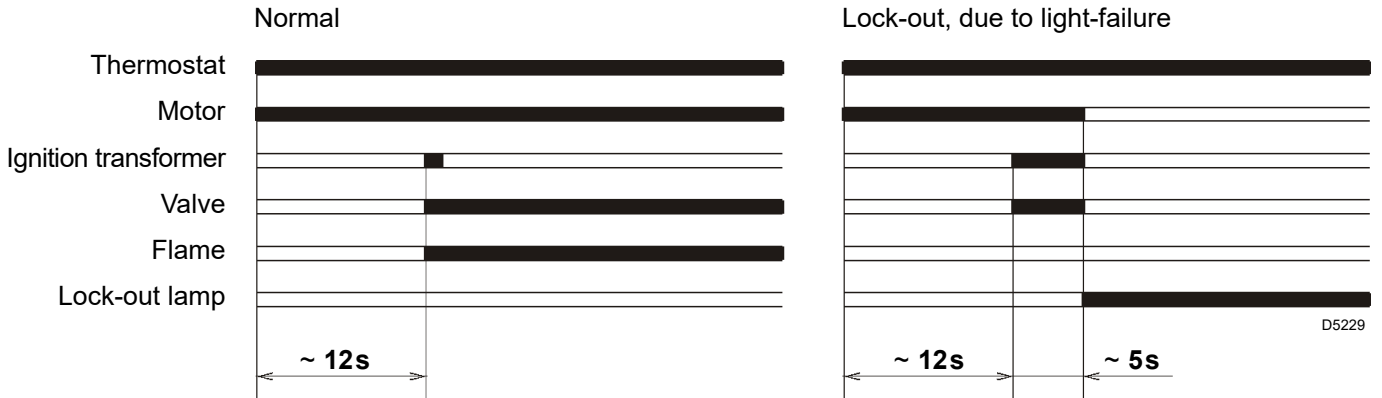
NOTES:

- A) This kit is not suitable for direct vent applications.
- B) Always try to minimize the length of the air intake pipe.
- C) Reduce pipe length by 10 feet for every 90° elbow, 5 feet for every 45° elbow.
- D) Reduce pipe length by 6 feet for the 4” to 6” pipe adapter (if used).
- E) Air intake venting should be insulated 10 feet from air intake source with a minimum R7 foil lined insulation, to prevent condensation or corrosion of air intake venting.
- F) Use an approved type of air intake vacuum breaker and install it in the same room of the burner.
This device should be tested to prove that the vacuum breaker balancer is set correctly and, in the event of intake air source being blocked, can provide enough combustion air for the burner. If the room where the burner is installed cannot provide enough air or air quality is a concern, an additional air inlet source must be provided to this room.
- G) On the outside of the wall, use an approved intake air hood, located above the snow line and in such way as to prevent leaves and/or other debris from blocking the air flow. Refer to local codes for proper location of inlet.

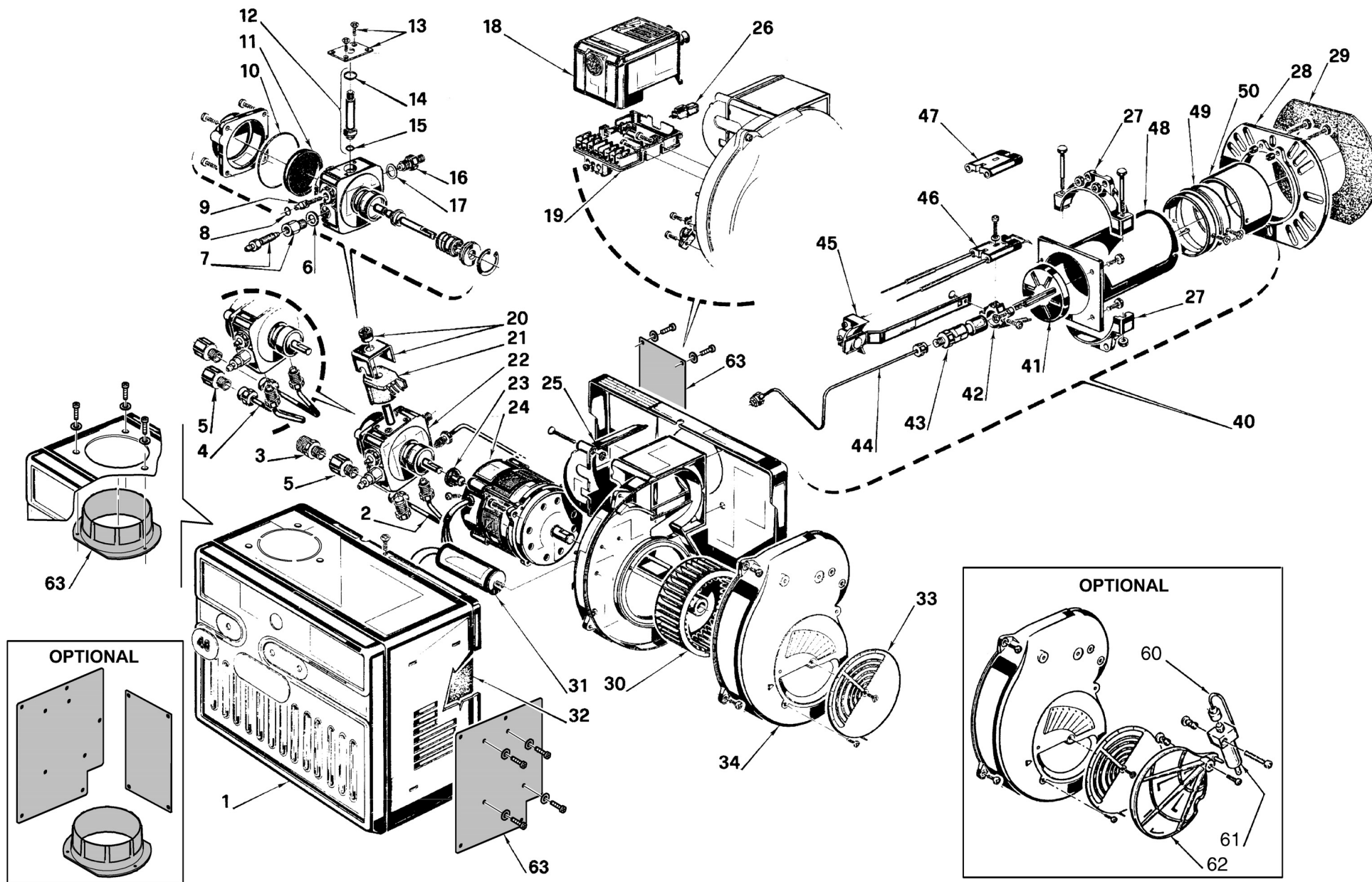
COMBUSTION CHAMBER

Follow the instructions furnished by the boiler/furnace manufacturer. Size retrofit application according to the appropriate installation codes (eg. CSA B139 or NFPA #31).

BURNER START-UP CYCLE



EXPLODED SPARE PARTS LIST



SPARE PARTS LIST

No.	CODE	3726313	3726394	DESCRIPTION	No.	CODE	3726313	3726394	DESCRIPTION
1	3020509	•		BURNER BACK COVER	40	3949071	•	•	SHORT COMBUSTION HEAD 5" (273T1)
1	3007234		•	BURNER BACK COVER	41	3006978	•	•	TURBULATOR DISC
2	3006992	•	•	PIPE CONNECTOR - SUPPLY	42	3006966	•	•	ELECTRODE SUPPORT
3	3006571	•	•	3/8" NPT/METRIC ADAPTER - MALE	43	3006965	•	•	NOZZLE ADAPTER
4	3006993	•	•	PIPE CONNECTOR - RETURN	44	3006979	•	•	NOZZLE OIL TUBE - SHORT
5	3005847	•	•	1/4" NPT/ METRIC ADAPTER - FEMALE	45	3005888	•	•	REGULATOR ASSEMBLY - SHORT
6	3007077	•	•	CRUSHABLE METAL WASHER	46	3005890	•	•	ELECTRODE ASSEMBLY - SHORT
7	3007568	•	•	BLEEDER	47	3005869	•	•	ELECTRODE PORCELAIN
8	3007028	•	•	O-RING - PUMP PRESSURE REGULATOR	48	3006981	•	•	SHORT AIR TUBE
9	3007202	•	•	REGULATOR SCREW	49	3006983	•	•	END CONE ADAPTER
10	3007162	C7010002	•	O-RING - PUMP COVER	50	3006984	•	•	END CONE
11	3005719		•	PUMP SCREEN					
12	3006925	•	•	VALVE STEM	40	3949072	•	•	LONG COMBUSTION HEAD 10" (273T2)
13	3007203	•	•	VALVE STEM PLATE	41	3006978	•	•	TURBULATOR DISC
14	3007029	•	•	O-RING - VALVE STEM UPPER	42	3006966	•	•	ELECTRODE SUPPORT
15	3007156	•	•	O-RING - VALVE STEM LOWER	43	3006965	•	•	NOZZLE ADAPTER
16	3007268	•	•	NOZZLE OUTLET FITTING	44	3006980	•	•	NOZZLE OIL TUBE - LONG
17	3007087	•	•	CRUSHABLE METAL WASHER	45	3005889	•	•	REGULATOR ASSEMBLY - LONG
18	3001157	C7001029	•	PRIMARY CONTROL 530SE/C	46	3005891	•	•	ELECTRODE ASSEMBLY - LONG
19	3002278	•	•	PRIMARY CONTROL SUB BASE	47	3005869	•	•	ELECTRODE PORCELAIN
20	3006553	•	•	COIL U-BRACKET AND KNURLED NUT	48	3006982	•	•	LONG AIR TUBE
21	3002279	•	•	COIL	49	3006983	•	•	END CONE ADAPTER
22	3007802	C7001010	•	PUMP	50	3006984	•	•	END CONE
23	3000443	•	•	PUMP DRIVE KEY					
24	3005843	C7001034	•	MOTOR					OPTIONAL
25	3007317	•	•	AIR TUBE COVER	60	3008055	•	•	CAPILLARY TUBE
26	3002280	•	•	FLAME SENSOR	61	3006911	•	•	HYDRAULIC JACK
27	3005854	•	•	SEMI FLANGE	62	3000879	•	•	HYDRAULIC AIR SHUTTER
28	3005855	•	•	UNIVERSAL MOUNTING FLANGE	63	3002762	•	•	DUCTED COMBUSTION AIR INTAKE KIT
29	3005856	•	•	MOUNTING GASKET					
30	3005788	•	•	FAN					
31	20087023	•	•	CAPACITOR					
32	3007357	•	•	ACOUSTIC LINER					
33	3007205	•	•	MANUAL AIR SHUTTER					
34	3007209	•	•	AIR INTAKE HOUSING					

ATTENTION!
IF THE BURNER CODE 3726394 IS USED, THE PRE-SHEARED COVER (CODE 3020509) MUST BE ADOPTED TO APPLY THE DUCTED COMBUSTION AIR INTAKE KIT (CODE 3002762).

BURNER START- UP FORM *

Burner S/N. or Model: _____	Appliance: _____
Installer name: _____	
Company: _____	Installation date: _____
Address: _____	
Phone: _____	Fax: _____
Owner Name: _____	
Address: _____	
Phone: _____	E-mail: _____

Burner Start-up Info (OIL)	
Nozzle info: _____	Pump pressure: _____
Air setting: _____	Turbolator setting: _____
Draft overfire: _____	Draft breech: _____
CO ₂ : _____ CO: _____ O ₂ : _____	Smoke density: _____ (Bacharach) _____
Single line: <input type="checkbox"/>	Two lines: <input type="checkbox"/>

* This form was designed and provided in the installation manual for reference and also for providing technical information which can be faxed or mailed to our technical hot-line coordinator when technical assistance is required. Please complete this form, fax it or mail it at the address/fax above, or send an e-mail with the information listed below to: techservices@riellocanada.com



ATTENTION

PRÉCAUTIONS POUR L'INSTALLATION

AIR POUR COMBUSTION

Ne pas installer le brûleur dans une salle n'ayant pas assez d'air pour la combustion. Assurez-vous qu'il y ait une alimentation en air adéquate pour la combustion si la salle de la chaudière/four est encastrée. Il peut être nécessaire de créer une fenêtre pour permettre à suffisamment d'air d'entrer dans la salle de la chaudière/four. L'installateur doit suivre des ordonnances locales à ce sujet.

CANADA Il est suggéré que l'installateur suive la norme CSA B139.

USA Il est suggéré que l'installateur suive le manuel NFPA #31.

CHEMINÉE

Assurez-vous que la cheminée soit suffisante pour traiter les gaz d'échappement. Il est recommandé que seul le brûleur soit raccordé à la cheminée. Assurez-vous qu'il soit propre et sans obstructions.

FILTRE À HUILE

Un filtre à huile externe est NÉCESSAIRE, même en cas de présence de filtre interne à la pompe. Le filtre doit être remplacé au moins une fois par an et le boîtier du filtre doit être minutieusement nettoyé avant d'installer une nouvelle cartouche filtrante.

TIRAGE

Suivre la notice livrée avec l'appareil de chauffage. La pression dans la zone de combustion doit demeurer la plus proche possible de zéro. Le brûleur fonctionnera avec un léger tirage ou pression dans la chambre.

CONNEXIONS ÉLECTRIQUES

CANADA Toutes les connexions électriques doivent être effectuées conformément au C.E.C. Part 1, et à tous les codes locaux. Le système doit être mis à la masse.

USA Toutes les connexions électriques doivent être effectuées conformément au Code électrique national, et à toutes les ordonnances locales. Le système doit être mis à la masse.

FONCTIONNEMENT DU BRÛLEUR DE CONTRÔLE

Vérifier le brûleur et expliquer son fonctionnement au propriétaire. Assurez-vous de laisser la feuille d'Instruction du propriétaire chez le propriétaire.

EXTINCTEUR

Si requis par les codes locaux, installer un extincteur approuvé.

CONNEXIONS ÉLECTRIQUES

Dans la plupart des localités, un fil de valeur 14 doit être utilisé à l'intérieur d'un conduit métallique. Le système doit être mis à la masse. Un interrupteur de service doit être placé près du brûleur sur une paroi ignifuge dans un endroit facilement accessible.

INDEX

CONTENU DE L'EMBALLAGE	1
IDENTIFICATION DU NUMÉRO DE SÉRIE	1
DONNÉES TECHNIQUES	2
Spécifications	2
Dimensions du brûleur et de la bride de montage	2
Identification des composants du brûleur	2
PRÉPARATION	3
MONTAGE DU TUBE D'AIR SUR LE CHÂSSIS DU BRÛLEUR	3
MONTAGE DU BRÛLEUR SUR LA CHAUDIÈRE OU LE FOUR	3
Méthode 1- Bride de montage universelle	3
Méthode 2 - Collier avec demi-bride	4
Méthode 3 - Montage sur pied	4
CONNEXIONS ÉLECTRIQUES	5
CÂBLAGE SUR SITE DE L'APPLICATION	5
INSTALLATION DU GICLEUR	6
MONTAGE / DÉMONTAGE DU GROUPE TIROIR	7
RÉGLAGE DE L'ÉLECTRODE	7
RÉGLAGE DU TURBULATEUR	7
RACCORDEMENT DES TUYAUX D'HUILE	8
Un tuyau (système d'alimentation par gravité)	8
Deux tuyaux (système de relevage)	9
PURGE DE LA POMPE	10
Un tuyau (système d'alimentation par gravité)	10
Deux tuyaux (système de relevage)	10
RÉGLAGE DE LA PLAQUE DE RÉGLAGE D'AIR	11
GRAPHIQUE DE PARAMÉTRAGE DU BRÛLEUR	11
APPLICATIONS DE PRISE D'AIR DE COMBUSTION CANALISÉES	12
CYCLE DE DÉMARRAGE DU BRÛLEUR	13
CATALOGUE ÉCLATÉ DES PIÈCES DÉTACHÉES	14
CATALOGUE DES PIÈCES DÉTACHÉES	15
FORMULAIRE DE DÉMARRAGE DU BRÛLEUR	16

CONTENU DE L'EMBALLAGE

Votre brûleur Riello 40 doit être composé des pièces suivantes. Veuillez contrôler la présence de toutes les pièces énumérées ci-après avant de procéder à l'installation de l'appareil.

Quantité	Description	Code
1	Châssis brûleur avec capot	3726313 - 3726394
1	Bride de montage universelle + joint de montage	2567390
1	Sachet de pièces	2566281 - 2566287
1	Sachet de pièces	2567337
1	Notice d'installation	2902554
	Cartons séparés- brûleurs FEO, livrés avec leur tête de combustion déjà montée	
1	Ensemble tube d'air/tiroir	
1	Bouchon de dérivation	

Sachet de pièces 2566281 - 2566287

Quantité	Description
1	Adaptateur femelle 1/4" NPT
1	Adaptateur mâle 3/8" NPT
1	Connecteur pompe huile (alimentation)
1	Connecteur pompe huile (retour)
2	Boulons de brides de montage (courts)
2	Écrous
2	Écrous chromés

Sachet de pièces 2567337

Quantité	Description
2	Boulons de demi-bridés (longs)
2	Demi-bridés
2	Vis de couverture
2	Écrous

IDENTIFICATION DU NUMÉRO DE SÉRIE

Votre brûleur Riello peut avoir été fabriqué en plusieurs endroits et il existe donc deux identifications par numéro de série possibles.

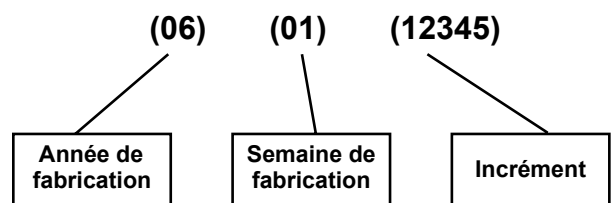
Le numéro de série à 9 chiffres Riello, comme par exemple

06 01 12345, signifie ce qui suit:

06 = Deux derniers chiffres de l'année de fabrication;

01 = Semaine de fabrication;

12345 = Incrément de 1 pour chaque brûleur produit - spécifique au code produit - remis à zéro chaque 1^{er} janvier.



Le numéro de série Riello à 15 caractères, exemple,

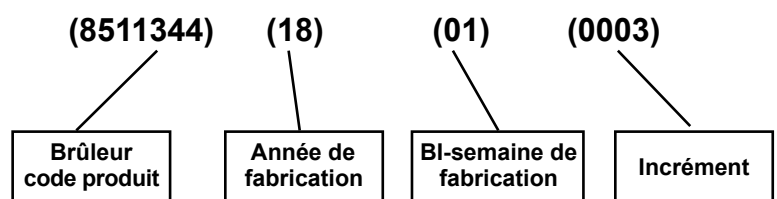
8511344 18 01 0003, est identifié comme suit:

8511344 Code produit du brûleur;

18 Deux derniers chiffres de l'année de fabrication;

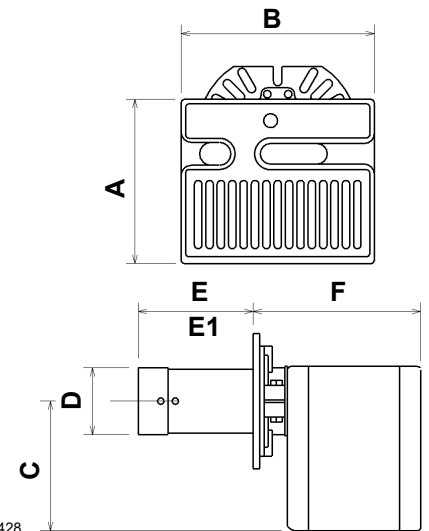
01 BI-semaine de fabrication;

0003 Incrément de 1 pour chaque brûleur produit - spécifique au code produit - remise à zéro chaque 1^{er} janvier.



DONNÉES TECHNIQUES SPÉCIFICATIONS

Combustible	N° 2 Huile combustible
Plage de puissance	1,45 à 2,95 GPH 4,7 à 9,5 kg/h
Puissance effective	203.000 à 413.000 BTU/h - 59,5 à 121 kW 51.160 à 104.130 kcal/h
Tension (monophasée)	120V 60Hz (+ 10% - 15%)
Puissance électrique absorbée	230 Watts
Moteur (nominal)	3250 tours/min. Courant de cycle 2,2 AMP
Condensateur	12,5 Microfarads 260V
Pression de la pompe	100 à 200 psi
Commande primaire	RIELLO 530 SE/C
Transformateur d'allumage	8kV 16mA

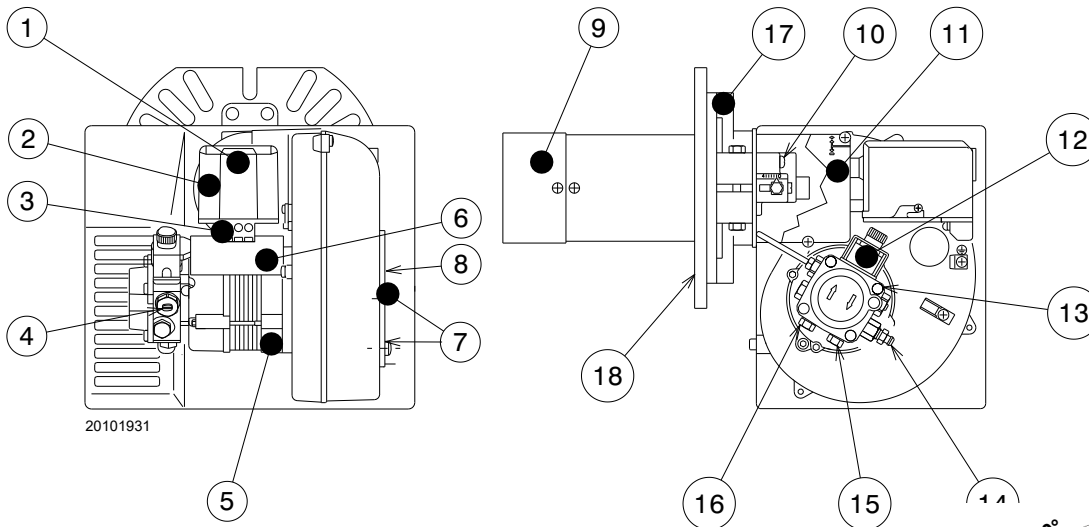


DIMENSIONS DU BRÛLEUR ET DE LA BRIDE DE MONTAGE

Modèle F10	A	B	C	D	E	F	G	H	I	L
Pouces	10 5/16	12	8 1/32	3 15/16	5	10 7/16	1 1/4	1/4	7/16	2 3/16
mm	262	305	204	100	127	265	32	6	11	56

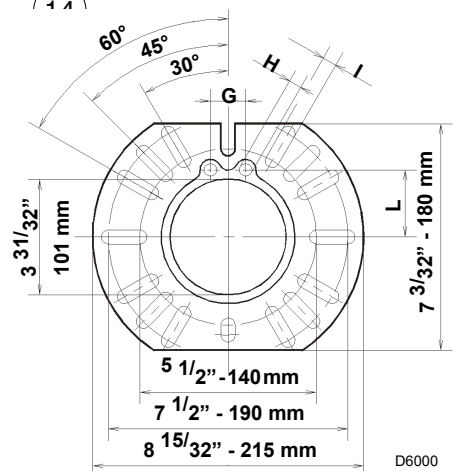
E1: Des tubes de 10 pouces de longueur (254 mm) sont également disponibles.

IDENTIFICATION DES COMPOSANTS DU BRÛLEUR



COMPOSANTS DU BRÛLEUR

- | | |
|---|--|
| 1 Témoin de blocage et bouton de déblocage | 10 Vis de régulateur turbulateur |
| 2 Commande primaire | 11 Capot de tube d'air |
| 3 Sous-base de commande primaire | 12 Bobine |
| 4 Vis de réglage de régulateur de pression de pompe | 13 Orifice de raccordement du vacuomètre |
| 5 Moteur | 14 Orifice de raccordement de pressostat |
| 6 Condensateur | 15 Raccord de retour du combustible |
| 7 Vis de fixation de réglage d'air | 16 Raccord d'alimentation en combustible |
| 8 Volet d'air | 17 Collier réglable |
| 9 Cône d'extrémité | 18 Bride de montage avec joint |



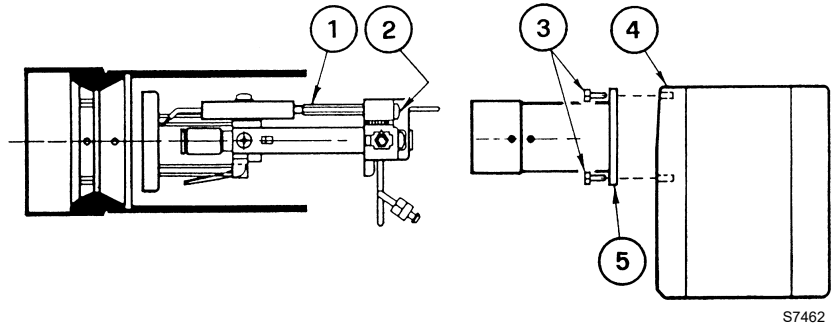
PRÉPARATION

- Enlever le brûleur et le tube d'air des cartons. Contrôler que toutes les pièces de la liste du contenu de l'emballage (à l'intérieur du capot) sont présentes.
- Enlever le capot du brûleur en desserrant les trois vis de fixation. Enlever la boîte de contrôle et le capot du tube d'air.
- Enlever le tiroir du tube d'air, introduire le gicleur, régler le turbulateur pour l'entrée voulue puis mettre de côté.
- Monter le tube d'air sur le châssis du brûleur.

MONTAGE DU TUBE D'AIR SUR LE CHÂSSIS DU BRÛLEUR

Le tube d'air et le tiroir sont livrés dans un autre carton par rapport à celui du châssis du brûleur. Prendre la bonne longueur de tube d'air adaptée à l'installation en question.

- Séparer le TUBE D'AIR et le CHÂSSIS DU BRÛLEUR de leur carton respectif.
- Desserrer la vis (2) pour pouvoir enlever le GROUPE TIROIR (1) de l'intérieur du TUBE D'AIR. Tirer délicatement le GROUPE TIROIR du TUBE D'AIR vers l'extérieur, installer le gicleur voulu (voir page 8) et mettre de côté.
- Enlever les deux BOULONS (3) de la PLAQUE AVANT (4) du CHÂSSIS du BRÛLEUR. Aligner les deux orifices sur la PLAQUE DE SOUTIEN DU TUBE D'AIR (5) avec les deux orifices présents sur la PLAQUE AVANT DU CHÂSSIS DU BRÛLEUR avec les BOULONS (3) précédemment enlevés. Remonter les BOULONS et les serrer uniquement à la main. Remonter le GROUPE TIROIR dans le TUBE D'AIR. Serrer la VIS (2) à fond.
- Serrer les deux boulons (3) à fond.



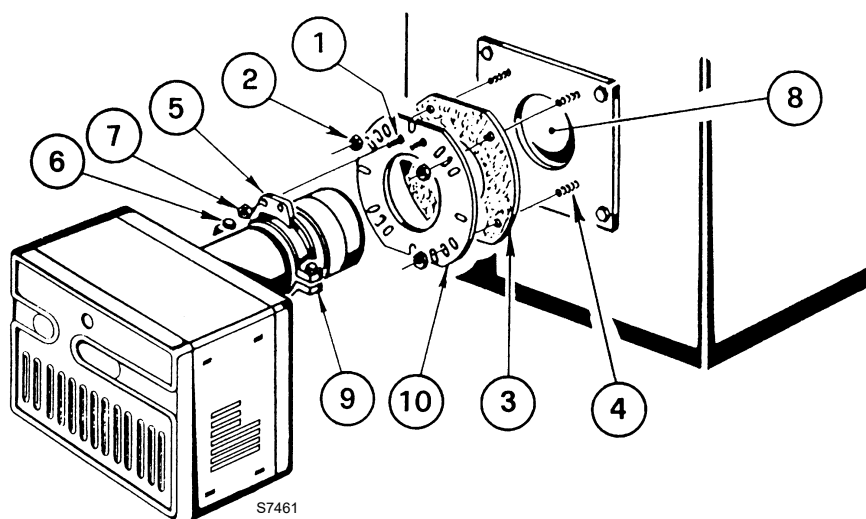
S7462

MONTAGE DU BRÛLEUR SUR LA CHAUDIÈRE OU LE FOUR

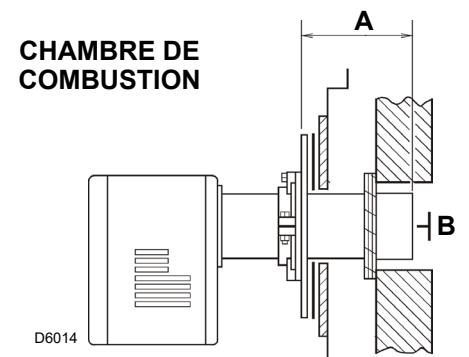
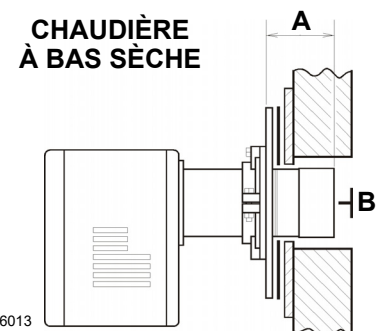
En fonction de l'usage du brûleur, il est possible de monter ce dernier de trois façons différentes. Ces méthodes sont les suivantes:

- Avec une bride universelle fixée sur la chaudière/four.
- Avec un collier avec demi-bride fixé sur la chaudière/four.
- Avec une bride universelle montée sur le pied livré en option; le montage direct de la bride sur l'appareil n'est pas possible. Le kit pied doit être commandé à part.

MÉTHODE 1 – BRIDE DE MONTAGE UNIVERSELLE



S7461



- A) Introduire les deux BOULONS (1) dans la BRIDE DE MONTAGE UNIVERSELLE (10) depuis le côté plat, en veillant à ce que les têtes des boulons soient au même niveau que la surface plane. Les solidariser à l'aide des deux ÉCROUS CHROMÉS (2) spéciaux livrés avec l'appareil.
- B) Placer le JOINT DE MONTAGE (3) entre la surface plane de la BRIDE DE MONTAGE UNIVERSELLE (10) et l'appareil.
Aligner les orifices de la BRIDE DE MONTAGE UNIVERSELLE avec les GOUJONS (4) présents sur la plaque de montage de l'appareil, puis serrer à fond LA BRIDE DE MONTAGE UNIVERSELLE sur la plaque.
- C) Solidariser les deux demi-bridés du COLLIER RÉGLABLE (9) sur le TUBE D'AIR, à l'aide des deux BOULONS longs (6).
S'assurer que le COLLIER RÉGLABLE (9) est bien installé de sorte que le bord extérieur du CÔNE D'EXTRÉMITÉ soit au moins à 1/4 de pouce (6,5 mm) en retrait par rapport à la paroi interne du matériau réfractaire de la chambre de combustion (voir dimension B ci-avant). La longueur mesurée (A) comprend le JOINT et la BRIDE DE MONTAGE, si présents.
- D) Il est maintenant possible de raccorder l'unité chauffante en faisant passer le TUBE D'AIR à travers l'ORIFICE D'ACCÈS DU BRÛLEUR (8) puis dans l'appareil de chauffage, en veillant à ce que les BOULONS (1) soient alignés avec les deux ORIFICES (5) du COLLIER RÉGLABLE (9). Solidariser le brûleur à l'aide des deux ÉCROUS (7).
Il est conseillé de procéder à un contrôle visuel de l'insertion du tube d'air dans la chambre de combustion de l'unité chauffante. La dimension B doit être au minimum, 1/4" (voir schéma).

REMARQUE :

Méthode conseillée pour percer les trous pour les boulons dans le joint de montage : Tenir le joint contre les boulons de montage de l'appareil de chauffage, en s'aidant de la bride de montage en vue d'obtenir le positionnement approprié. Taper délicatement sur la bride avec un marteau afin de former l'empreinte des orifices.

MÉTHODE 2 - COLLIER AVEC DEMI-BRIDE

- A) Procéder selon le point C de la MÉTHODE 1.
- B) Aligner le tube d'air et son collier réglable monté de sorte que le tube d'air soit centré dans l'orifice d'accès du brûleur/four.
Faire une marque au centre des deux orifices dans le COLLIER RÉGLABLE, sur la plaque avant de l'unité chauffante. Puis percer des trous d'1/4 de pouces (6,5 mm) à travers la plaque avant de l'unité, en s'aidant des marques comme points de repère.
- C) Faire passer les deux BOULONS courts (1) à travers la plaque avant de l'unité chauffante par l'intérieur et fixer, de l'extérieur, les deux ÉCROUS CHROMÉS (2) spéciaux.
- D) Procéder selon le point D de la MÉTHODE 1.

MÉTHODE 3 - MONTAGE SUR PIED

Fixer la BRIDE DE MONTAGE sur le PIED en utilisant le matériel livré avec ce dernier. Attacher le brûleur sur la BRIDE DE MONTAGE tel qu'indiqué dans la MÉTHODE 1, point A, C et D.

REMARQUE:

Il est conseillé d'attacher le pied au sol, à l'aide de brides sur le tube du pied et en attachant les brides au sol.

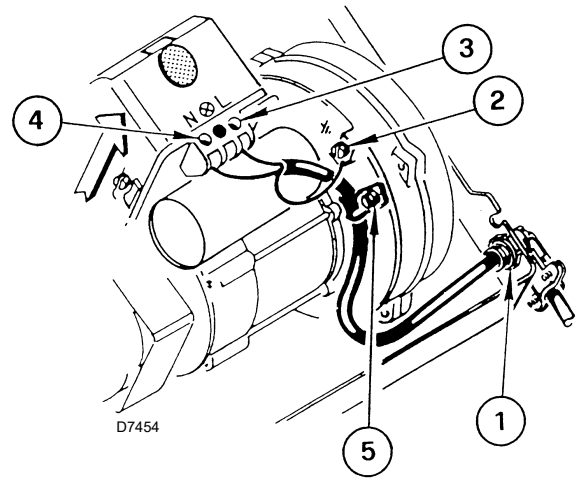


LORSQUE LA CHAMBRE DE COMBUSTION EST ALIGNÉE AVEC LE MATÉRIAU RÉFRACTAIRE, IL EST ESSENTIEL QUE LE CÔNE D'EXTRÉMITÉ NE DÉPASSE PAS DE LA CHAMBRE CAR, EN CAS DE SURCHAUFFE DU BRÛLEUR, LE CÔNE D'EXTRÉMITÉ RISQUERAIT D'ÊTRE DÉTÉRIORÉ.

CONNEXIONS ÉLECTRIQUES

Il est conseillé d'enlever la boîte de contrôle de la sous-base lors de la réalisation de la connexion électrique au brûleur.

- 1) Trou d'accès des câbles (Utiliser le connecteur électrique BX)
- 2) Borne de conducteur de masse à la terre (Câble vert)
- 3) Borne de conducteur chaud (Câble noir)
- 4) Borne de conducteur neutre (Câble blanc)
- 5) Serre câble



ATTENTION:

Le fil chaud (noir) doit être raccordé à la borne L et le fil neutre (blanc) doit être raccordé à la borne N ou la commande de sécurité primaire sera endommagée.

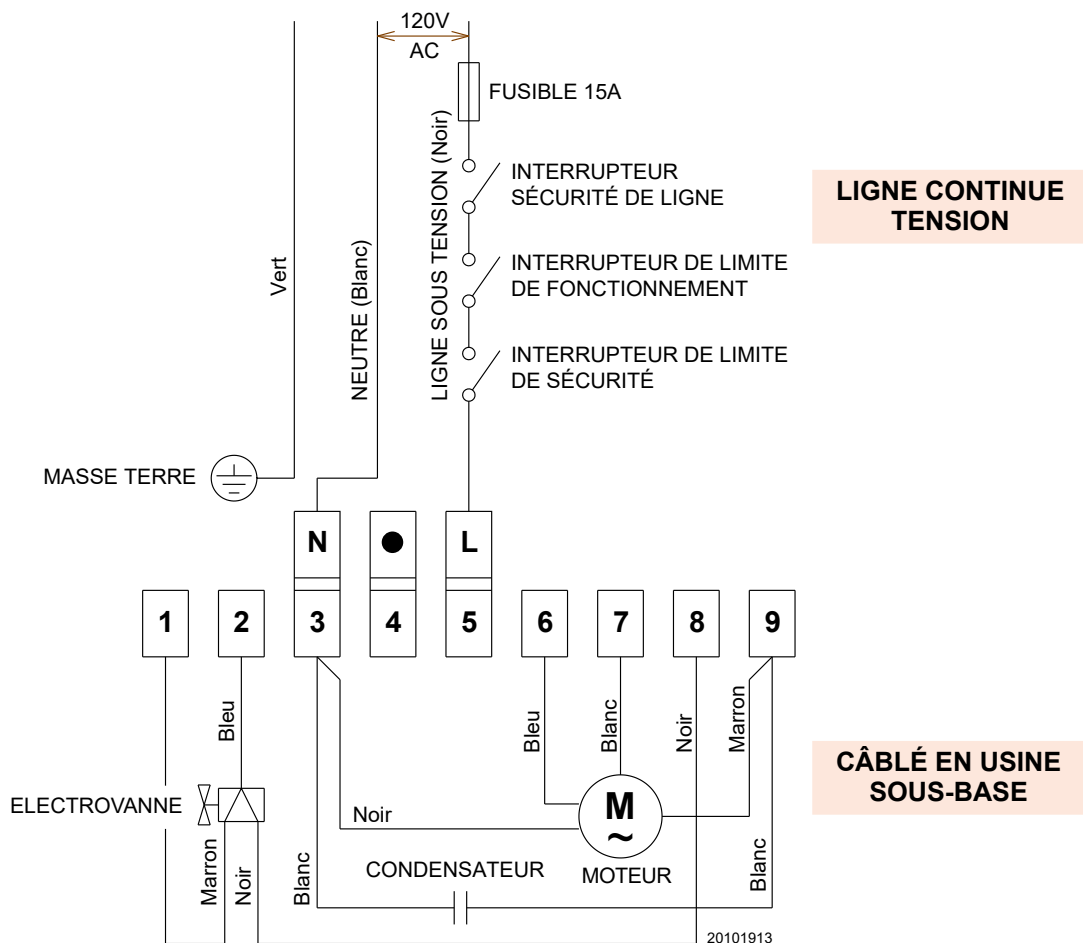
Ne pas connecter le fil flétri à la borne marquée \otimes .

En utilisant le diagramme approprié ci-dessous, effectuer les connexions électriques au brûleur. Tout le câblage doit être effectué conformément aux codes électriques existants, à la fois nationaux et locaux.

Quand toutes les connexions électriques ont été faites, le boîtier de commande peut être remis en place sur la sous-base.

ATTENTION NE PAS démarrer le brûleur tant que les raccordements des tuyaux d'huile n'ont pas été réalisés car cela peut entraîner la rupture du joint de l'arbre de la pompe.

CÂBLAGE SUR SITE DE L'APPLICATION



REMARQUE:

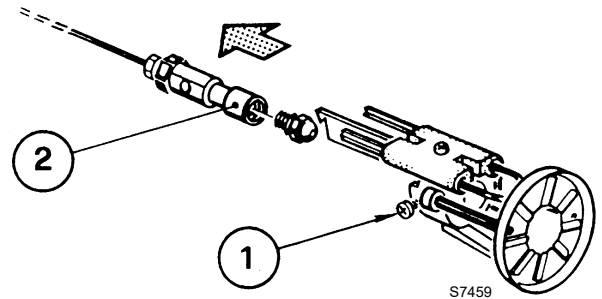
La borne 4 doit être utilisée pour activer un circuit de mise en sécurité distant uniquement. Une source AC 120V est fournie à la borne 4 lors de la mise en sécurité. Le courant maximum autorisé de tirage pour ce circuit est de 1 AMP.

IMPORTANT:

Si un câble neutre ou de terre est fixé à la borne 4, la boîte de contrôle sera endommagée en cas de blocage.

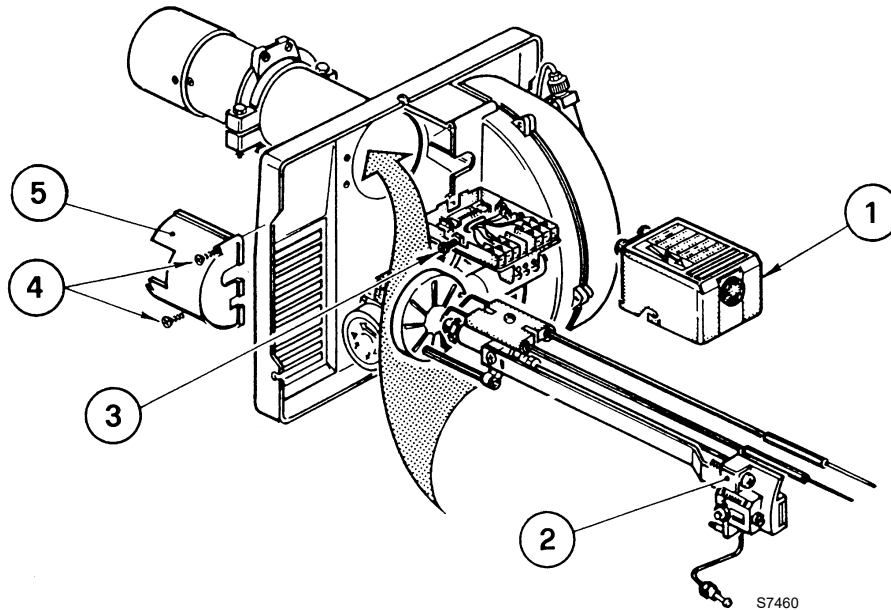
INSTALLATION DU GICLEUR

- A) Déterminer la plage d'allumage appropriée pour la chaudière ou le four, en tenant compte de l'application spécifique, puis utiliser les tableaux de paramétrage du brûleur afin de sélectionner le gicleur approprié et la pression de pompe pour obtenir l'entrée voulue du brûleur.
- B) Desserrer la VIS (1) pour pouvoir enlever l'ADAPTATEUR DE GICLEUR (2) du GROUPE TIROIR.
- C) Insérer le GICLEUR approprié dans l'ADAPTATEUR DE GICLEUR puis bien serrer (sans exagérer).
- D) Remonter l'adaptateur, avec le gicleur, dans le groupe tiroir et fixer avec la vis (1).



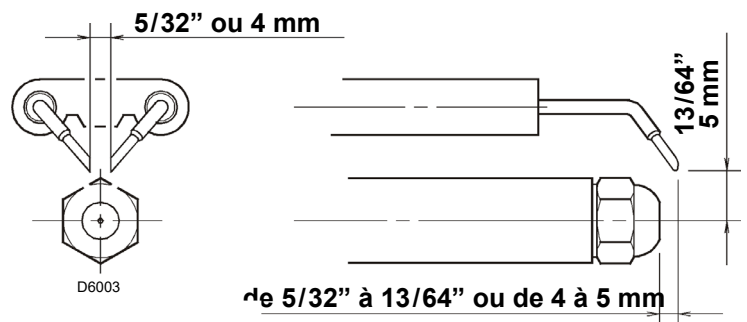
INSTALLATION/DÉMONTAGE DU GROUPE TIROIR

- A) Pour enlever le groupe tiroir, desserrer la VIS (3), puis débrancher la BOÎTE DE CONTRÔLE (1) en la tirant délicatement vers l'arrière puis vers le haut.
- B) Enlever la PLAQUE DU CAPOT DE TUBE D'AIR (5) en desserrant les deux VIS de retenue (4).
- C) Desserrer la VIS (2), puis faire glisser le groupe tiroir complet hors de la tête de combustion comme indiqué.
- D) Pour insérer le groupe tiroir, reprendre la procédure indiquée aux points A à C ci-dessus dans le sens inverse, puis raccorder la ligne de carburant à la pompe.



RÉGLAGE DE L'ÉLECTRODE

IMPORTANT:
Il est impératif de respecter ces dimensions.



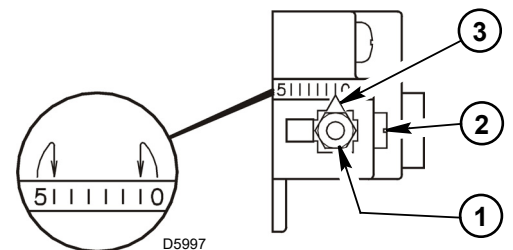
RÉGLAGE DU TURBULATEUR

A) Desserrer l'ÉCROU (1), puis tourner la VIS (2) jusqu'à ce que le MARQUEUR D'INDICE (3) soit aligné avec le numéro d'indice correct conformément au tableau de paramétrage du brûleur, à la page 12.

B) Resserrer l'ÉCROU DE RETENUE (1).

REMARQUE:

Les chiffres zéro et cinq ne sont que des indicateurs d'échelle. De gauche à droite, la première ligne est 5 et la dernière ligne est 0.



RACCORDEMENT DES TUYAUX D'HUILE

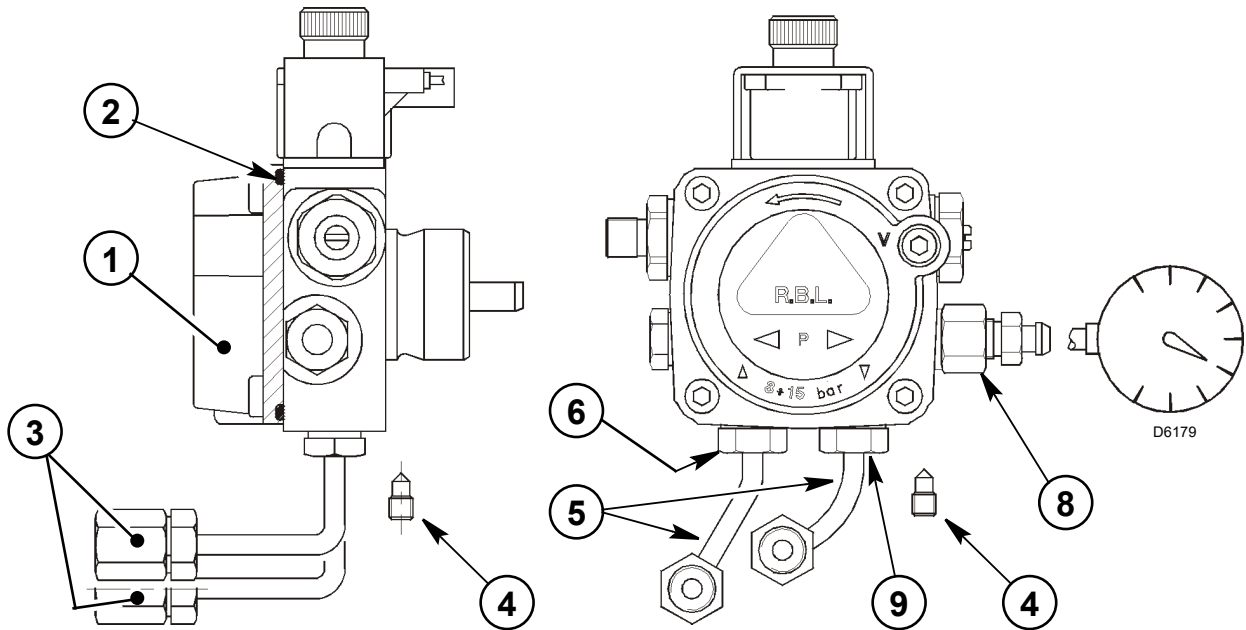
Ce brûleur est livré avec la pompe huile configurée pour travailler sur un système à **un** tuyau.

Pour travailler sur un système à **deux** lignes, il **faut** installer un bouchon de dérivation.

ATTENTION: Ne pas actionner le système à **un** tuyau en cas d'installation de bouchon de dérivation. En effet, le fonctionnement d'un système à **un** tuyau avec bouchon de dérivation installé peut détériorer le joint de l'arbre de la pompe.

REMARQUE: La pression de pompe doit être réglée au moment du démarrage du brûleur. Un manomètre est fixé à l'**ORIFICE DE PRESSION** (8) pour les relevés de pression. Deux **RACCORDS DE TUYAUX** (5) sont fournis avec le brûleur pour raccordement à un système à un ou deux tuyaux. Deux **ADAPTATEURS** (3), deux femelles 1/4" NPT, sont également livrés avec l'appareil afin de permettre le raccordement des tuyaux d'huiles aux connecteurs de tuyaux du brûleur. Tous les filetages de raccord de pompe sont de type **filetage parallèle anglais**. Tout raccordement de filetages NPT directement sur la pompe **détériorera** le corps de pompe.

Les manomètres et les vacuomètres Riello n'ont **pas** besoin d'adaptateurs et peuvent être branchés aux orifices de la pompe en toute sécurité. Les adaptateurs NPT (métriques) **doivent** être utilisés en cas de branchement d'autres modèles de manomètre.



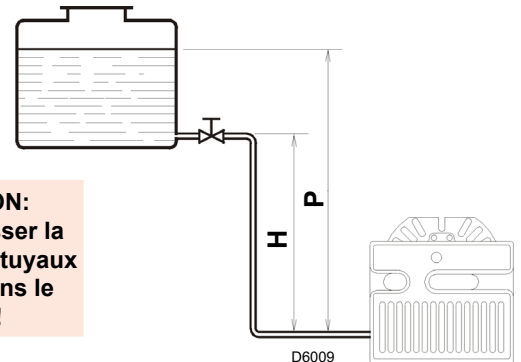
UN TUYAU (ALIMENTATION PAR GRAVITÉ)

A) Le brûleur est expédié déjà configuré pour un usage dans des applications à un tuyau. Aucun changement n'est nécessaire pour l'usage dans des applications à un tuyau.

REMARQUES: Si le **capot de la pompe** (1) doit être enlevé pour une raison quelconque, s'assurer que le joint torique (2) est bien installé dans le capot de la pompe (1) avant de le remonter.

B) Brancher le connecteur de tuyau à l'**ORIFICE D'ALIMENTATION** (6) de la pompe. Fixer le tuyau requis à ce raccord de tuyau. S'assurer que le bouchon du **RACCORD DE RETOUR** (9) est serré à fond.

ATTENTION:
ne pas dépasser la
longueur des tuyaux
indiquée dans le
tableau!



LONGUEURS TUYAUX SYSTÈME À UN TUYAU					
H		3/8" Diam. ext.		1/2" Diam. ext.	
Pieds	Mètres	Pieds	Mètres	Pieds	Mètres
1 1/2	0,5	33	10	65	20
3	1,0	65	20	130	40
5	1,5	130	40	260	80
6 1/2	2,0	195	60	325	100

DEUX TUYAUX (SYSTÈME DE RELEVAGE)

A) Si un système à deux tuyaux est requis, installer le bouchon de dérivation (4) fourni. Le bouchon de dérivation est installé dans l'orifice de retour (9) de la pompe.

Une clé hexagonale de 2,5 mm fournie avec le bouchon de dérivation doit être utilisée pour installer le bouchon. **NE PAS** utiliser de clé hexagonale avec une dimension en pouces, des dommages au bouchon de dérivation pourraient en résulter. Sur un système à deux tuyaux, les lignes d'alimentation et de retour doivent être du même diamètre et toutes deux **doivent s'étendre sur la même profondeur à l'intérieur du réservoir de carburant**. Vérifier l'absence de fuites d'air ou d'obstructions dans le circuit.

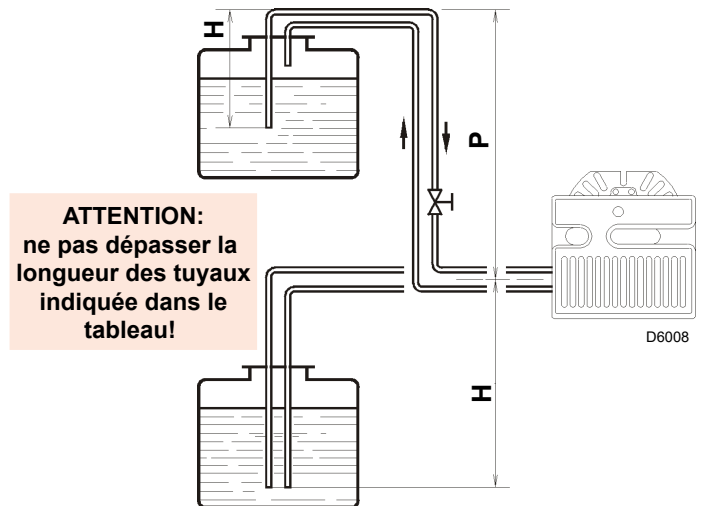
La présence d'obstructions dans le tuyau de retour peut être responsable de la rupture du joint de l'arbre de la pompe. Ne pas dépasser les longueurs de tuyau indiquées dans les tableaux.

Pour installer le bouchon de dérivation:

- 1) Enlever le bouchon de retour (9).
- 2) Installer le bouchon de dérivation (4) en utilisant la clé hexagonale de 2,5 mm.

B) Fixer les deux RACCORDS DE TUYAU (5) aux ORIFICES D'ALIMENTATION et de RETOUR de la pompe (6 et 9). Raccorder les tuyaux concernés à ces deux connecteurs de tuyau en utilisant les ADAPTATEURS MÉTRIQUES/NPT, livrés avec l'appareil.

H		3/8" Diam. ext.		1/2" Diam. ext.	
Pieds	Mètres	Pieds	Mètres	Pieds	Mètres
0	0,0	115	35	330	100
1 1/2	0,5	100	30	330	100
3	1,0	80	25	330	100
5	1,5	65	20	295	90
6 1/2	2,0	50	15	230	70
9 1/2	3,0	25	8	100	30
11	3,5	20	6	65	20



ATTENTION:

- **NE PAS** utiliser de lubrifiant de tuyaux ou de rubans en téflon directement sur les raccords d'huile de la pompe à combustible.
- La hauteur «P» indiquée dans les tableaux des longueurs de tuyau ne doit pas dépasser 13 pieds (4 m).
- Le vide ne doit pas dépasser 11,44 pouces de mercure.

IMPORTANT:

Un filtre à huile certifié, externe et approprié doit être monté sur le circuit de combustible, entre le réservoir de combustible et la pompe du brûleur.

PURGE DE LA POMPE

REMARQUES

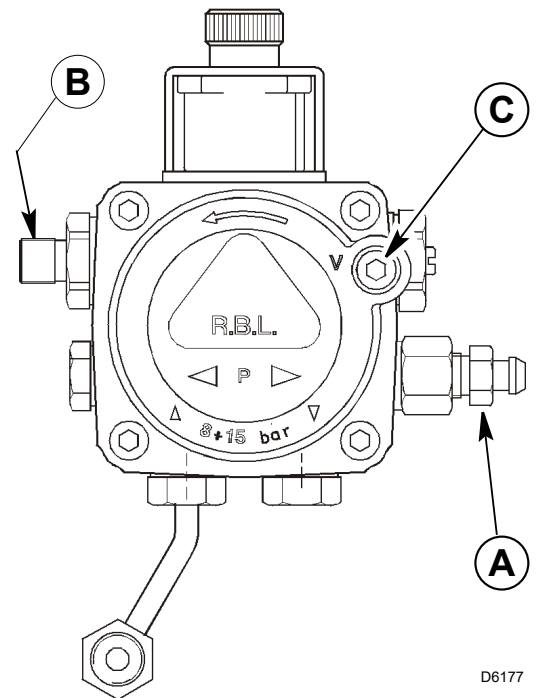
Afin de protéger les engrenages de la pompe, il est recommandé de lubrifier la pompe avant de purger le système de relevage. Huiler le RACCORD DE VIDE (C).

A) UN TUYAU (SYSTÈME D'ALIMENTATION PAR GRAVITÉ)

A) Desserrer le purgeur (A) jusqu'à ce que l'huile en ressorte. Serrer le purgeur à fond et démarrer le brûleur.

B) En purgeant la pompe par pression.

- 1) Desserrer le purgeur (A).
- 2) Débrancher le tuyau d'alimentation en huile du gicleur au niveau de l'orifice du gicleur de pompe (B).
- 3) Fixer un tube flexible plastique à l'orifice du gicleur de pompe, en dirigeant le flux d'huile dans un seau.
- 4) Desserrer les vis qui fixent le capot de tube d'air, permettant ainsi de l'enlever librement.
- 5) En tenant le capot du tube d'air à sa place, démarrer le brûleur.
- 6) Une fois l'électrovanne en prise, environ 10 secondes après le démarrage, enlever le capot de tube d'air et allumer une source lumineuse sur la capteur flamme, en créant ainsi un détrompeur.
- 7) Faire marcher le brûleur jusqu'à ce que la pompe à carburant ait été purgée de l'air, puis serrer le purgeur et éteindre immédiatement le brûleur.
- 8) Réinstaller le capot du tube d'air et le tuyau du gicleur.
- 9) Le brûleur peut maintenant être démarré normalement.



D6177

ATTENTION:

En cas d'omission des étapes 2 et 3, l'appareil produit de l'huile non brûlée dans la chambre de combustion, **générant une situation dangereuse** après le démarrage du brûleur.

B) DEUX TUYAUX (SYSTÈME DE RELEVAGE)

Éteindre la source de puissance principale du brûleur et démonter le capot du tube d'air. Allumer une source de lumière sur la capteur flamme (maintenant visible à l'endroit où le capot de tube d'air a été enlevé), remettre le brûleur sous tension et l'allumer.

Une fois la source de lumière à sa place, le brûleur travaillera uniquement en pré-purge.

Après avoir purgé le brûleur, éteindre la source de puissance principale du brûleur et remonter le capot du tube d'air.

Remettre le brûleur sous tension.

Le brûleur est maintenant prêt à fonctionner.

ATTENTION:

Il est essentiel que le tuyau de combustible soit complètement étanche et dépourvu de fuites d'air ou d'obstructions.

ATTENTION!

EN CAS DE BOUCHON DE DÉRIVATION INSTALLÉ, IL EST NÉCESSAIRE D'UTILISER UN SYSTÈME À DEUX TUYAUX POUR ÉVITER LA RUPTURE DE L'ARBRE DE LA POMPE.

RÉGLAGE DE LA PLAQUE DE RÉGLAGE D'AIR

A) La régulation du flux d'air de combustion est effectuée par ajustement de la PLAQUE DE RÉGLAGE D'AIR (1) après avoir desserré les VIS DE FIXATION (2 & 3).

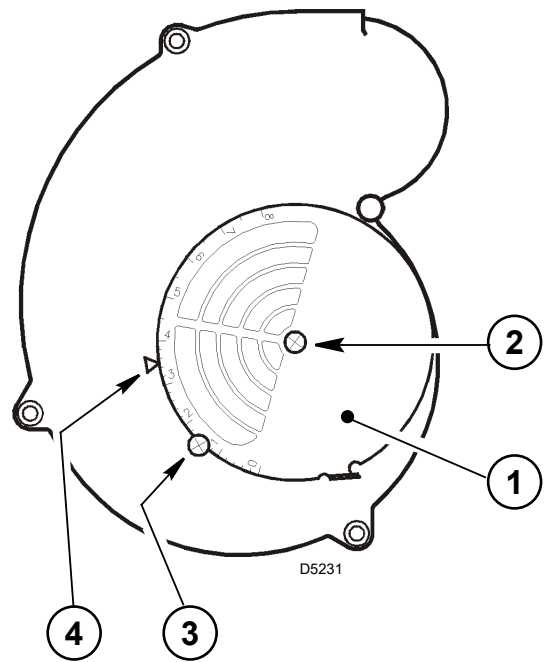
Le réglage initial de la plaque de réglage d'air doit être effectué selon la Colonne 5 dans le tableau de Réglage du brûleur.

B) Le nombre correct sur la PLAQUE DE RÉGLAGE D'AIR manuelle (1) doit être conforme à l'INDICATEUR DE RÉGLAGE (4) sur le capot du logement de ventilateur.

Une fois réglée, la plaque de réglage d'air doit être fixée en place en serrant les VIS 2 et 3.

C) La position finale de la plaque de réglage d'air variera à chaque installation.

Utiliser des instruments pour établir le réglage correct pour la quantité maximale de CO₂ et un relevé de fumée de zéro.



REMARQUE:

Les variations de gaz de cheminée, de fumée et de CO₂ et des relevés de température peuvent être enregistrées une fois le capot du brûleur remis à sa place. Donc, le capot de brûleur **doit** être en place lors de la réalisation de relevés d'instruments de combustion finaux, pour garantir des résultats de test corrects.

TABLEAU DE PARAMÉTRAGE DU BRÛLEUR

APPLICATIONS NON DE MISE À NIVEAU

Si ce brûleur doit être installé avec un autre appareil avec lequel il est livré (comme une chaudière ou un four), il faudra suivre la notice livrée avec l'unité chauffante dans la mesure où les instructions peuvent différer de celles reportées dans ce manuel.

1		2	3		4	5
Plage de travail effective $\pm 5\%$		Taille de gicleur	Pression de la pompe		Réglage de turbulateur	Réglage du volet d'air
GPH	kg/h	GPH	PSI	bar		
1,45	4,7	1,25 x 60°	145	10	1,5	2,7
1,80	5,8	1,50 x 60°	145	10	2,0	2,8
2,10	6,8	1,75 x 60°	145	10	2,5	3,1
2,40	7,8	2,00 x 60°	145	10	3,5	3,4
2,75	8,9	2,25 x 60°	150	10,4	4,0	4,2
2,95	9,5	2,50 x 60°	140	9,8	4,5	4,2

GICLEURS RECOMMANDÉS :

Monarch R-PLP, Delavan W-B, Danfoss S-B, Steinen SS-S, Hago P.

REMARQUES: l'usage d'un gicleur de 60° est conseillé, même s'il est possible d'en utiliser un de 80° en cas de flamme instable à l'arrêt à cause de basses températures ambiantes.

APPLICATIONS DE PRISES D'AIR DE COMBUSTION CANALISÉES

Le « Kit de prise d'air de combustion à tuyau » (voir réf. 3002762 dans la liste des pièces de rechange - OPTION), permet la transmission de l'air extérieur directement dans le brûleur. Une prise d'air d'un diamètre de 4" est fournie dans le kit.

Pour monter ce kit sur le brûleur, suivre les instructions se trouvant dans la fiche d'instruction du kit.
Si le code brûleur 3726394 est utilisé, le capot pré-coupé doit être adopté (voir ref 3020509 dans la liste des pièces de rechange) pour appliquer la prise d'air de diamètre 4".
Utiliser un adaptateur de tubes de 4" à 6" (non fourni dans le kit) pour utiliser un tube d'un diamètre de 6".

Les réglages du brûleur doivent être effectués conformément aux spécifications figurant dans le TABLEAU DE RÉGLAGE DU BRÛLEUR – APPLICATIONS DE PRISE D'AIR ci-dessous.

TABLEAU DE RÉGLAGE DU MODÈLE DE BRÛLEUR F10 avec tube d'un diamètre de 4".							
Plage de puissance actuelle GPH	Dimensions du gicleur	Pression de la pompe PSI	Réglage de la tête	20 pieds.	50 pieds.	80 pieds.	100 pieds.
				Longueur du tube	Longueur du tube	Longueur du tube	Longueur du tube
				Réglage de l'air	Réglage de l'air	Réglage de l'air	Réglage de l'air
1,45	1,25 x 60°/80°	145	1,5	2,3	2,4	2,5	2,5
1,80	1,50 x 60°/80°	145	2,0	2,9	3,0	3,0	3,0
2,10	1,75 x 60°/80°	145	2,5	3,7	3,8	3,8	3,8
2,40	2,00 x 60°/80°	145	3,5	4,4	4,5	4,5	4,5
2,75	2,25 x 60°/80°	150	5,0	5,5	6,0	6,4	6,5

TABLEAU DE RÉGLAGE DU MODÈLE DE BRÛLEUR F10 avec tube d'un diamètre de 6".							
Plage de puissance actuelle GPH	Dimensions du gicleur	Pression de la pompe PSI	Réglage de la tête	20 pieds.	50 pieds.	80 pieds.	100 pieds.
				Longueur du tube	Longueur du tube	Longueur du tube	Longueur du tube
				Réglage de l'air	Réglage de l'air	Réglage de l'air	Réglage de l'air
1,45	1,25 x 60°/80°	145	1,5	2,3	2,4	2,4	2,5
1,80	1,50 x 60°/80°	145	2,0	2,8	2,8	2,9	2,9
2,10	1,75 x 60°/80°	145	2,5	3,5	3,5	3,6	3,7
2,40	2,00 x 60°/80°	145	3,5	4,2	4,2	4,3	4,4
2,75	2,25 x 60°/80°	150	4,5	5,2	5,2	5,5	6,5
2,89	2,50 x 60°/80°	145	5,0	6,0	6,0	7,0	8,0

GICLEURS RECOMMANDÉS:

Monarch R-PLP, Delavan W-B, Danfoss S-B, Steinen SS-S, Hago P.

REMARQUES: l'usage d'un gicleur de 60° est conseillé, même s'il est possible d'en utiliser un de 80° en cas de flamme instable à l'arrêt à cause de basses températures ambiantes.

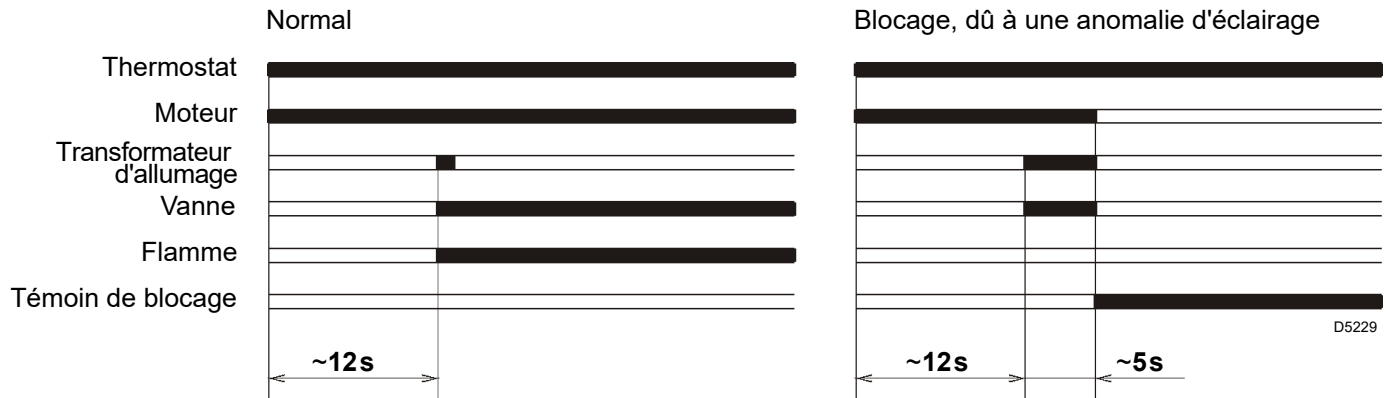
NOTES;

- A) Ce kit ne convient pas aux applications à ventilation directe.
- B) Tenter toujours de minimiser la longueur du tuyau de prise d'air.
- C) Réduire la longueur de tuyau de 10 pieds pour chaque coude à 90°, de 5 pieds pour chaque coude à 45°.
- D) Réduire la longueur de tuyau de 6 pieds pour l'adaptateur de tuyau de 4" à 6" (s'il est utilisé).
- E) La ventilation de prise d'air doit être isolée de 10 pieds depuis une source de prise d'air avec une isolation chemisée en feuille R7, pour éviter la condensation ou la corrosion de la ventilation de la prise d'air.
- F) Utiliser un type approprié de casse-vide de prise d'air et l'installer dans la même pièce que le brûleur.
Ce dispositif doit être testé pour démontrer que le balancier du casse-vide soit correctement réglé et pour qu'il puisse apporter des quantités suffisantes d'air comburant au brûleur en cas d'obstruction de la source de la prise d'air. Si le local d'installation du brûleur ne peut pas fournir assez d'air ou la qualité de l'air est pauvre, une source supplémentaire de prise d'air doit être installée dans ce local.
- G) Du côté extérieur du mur, utiliser une hotte d'air d'admission agréée, située au dessus de la ligne de neige et de façon à éviter que des feuilles et/ou autres débris ne bloquent le flux d'air. Respecter les réglementations locales pour installer correctement l'entrée.

CHAMBRE DE COMBUSTION

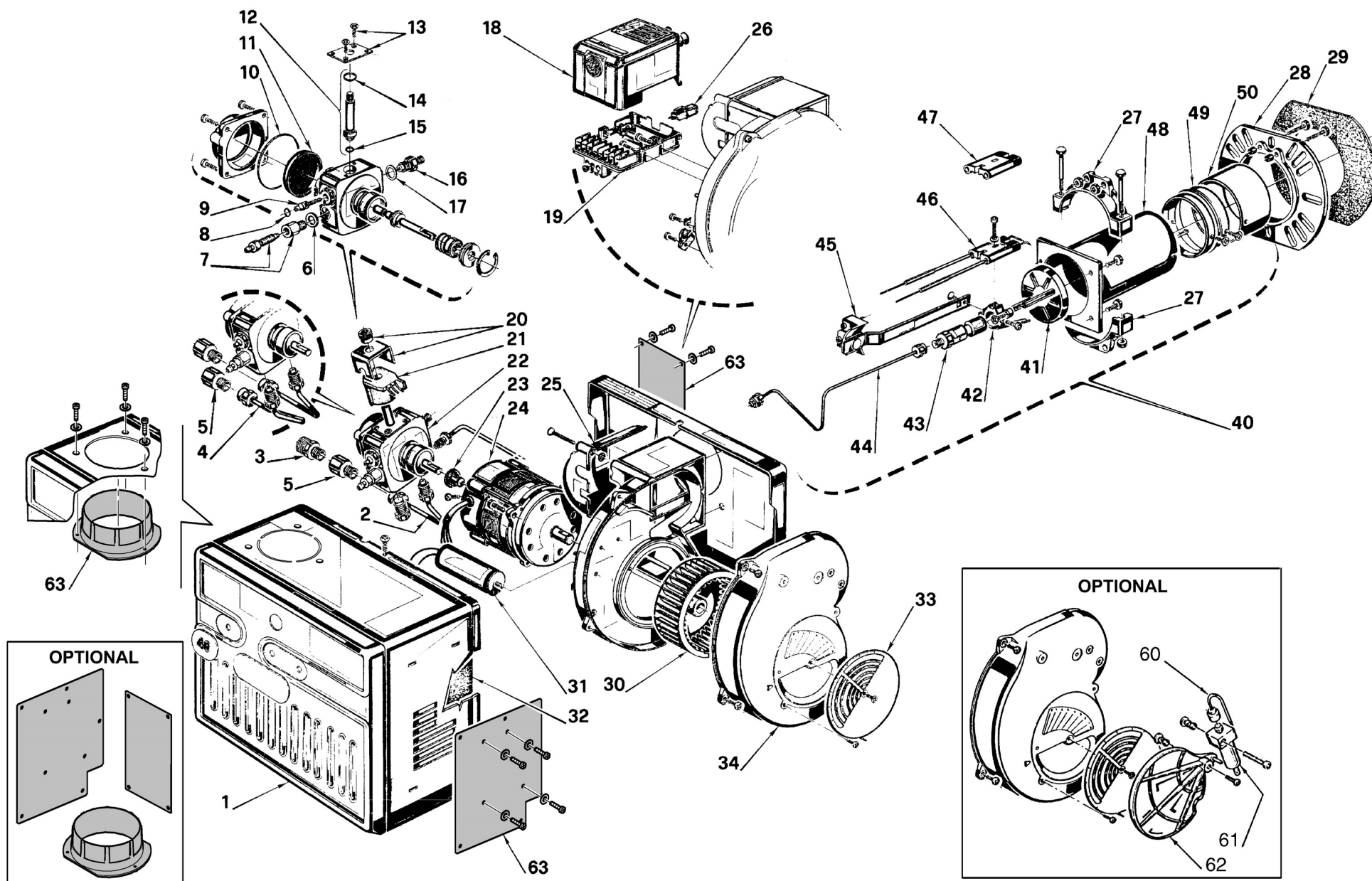
Respecter les instructions fournies par le fabricant de la chaudière/four. Adapter l'application de mise à niveau selon les codes d'installation appropriés (par exemple CSA B139 ou NFPA #31).

CYCLE DE DÉMARRAGE DU BRÛLEUR



D5229

CATALOGUE ÉCLATÉ DES PIÈCES DÉTACHÉES



CATALOGUE DES PIÈCES DÉTACHÉES

No.	CODE	3726313	3726394	N°DESCRIPTION	CODE	3726313	3726394	DESCRIPTION
1	3020509	•		CAPOT ARRIÈRE BRÛLEUR 40	3949071	•	•	TÊTE DE COMBUSTION COURTE 5" (273T1)
1	3007234		•	CAPOT ARRIÈRE BRÛLEUR 41	3006978	•	•	DISQUE TURBULATEUR
2	3006992	•	•	CONNECTEUR DE TUYAU - ALIMENTATION 42	3006966	•	•	SUPPORT D'ÉLECTRODE
3	3006571	•	•	ADAPTATEUR 3/8" NPT/MÉTRIQUE - MÂLE 43	3006965	•	•	ADAPTATEUR DE GICLEUR
4	3006993	•		CONNECTEUR DE TUYAU - RETOUR 44	3006979	•	•	TUBE D'HUILE GICLEUR - COURT
5	3005847	•	•	ADAPTATEUR 1/4" NPT/MÉTRIQUE - FEMELLE 45	3005888	•	•	GROUPE RÉGULATEUR - COURT
6	3007077	•	•	RONDELLE EN MÉTAL DÉFORMABLE 46	3005890	•	•	GROUPE ÉLECTRODE - COURT
7	3007568	•	•	PURGEUR 47	3005869	•	•	PORCELAINE D'ÉLECTRODE
8	3007028	•	•	JOINT TORIQUE - RÉGULATEUR DE PRESSION 48	3006981	•	•	TUBE D'AIR COURT
9	3007202	•	•	VIS DE RÉGLAGE 49	3006983	•	•	ADAPTATEUR CÔNE D'EXTRÉMITÉ
10	3007162	C7010002	•	JOINT TORIQUE - CAPOT DE POMPE 50	3006984	•	•	CÔNE D'EXTRÉMITÉ
11	3005719		•	ÉCRAN DE POMPE				
12	3006925		•	TIGE DE SOUPAPE 40	3949072	•	•	TÊTE DE COMBUSTION LONGUE 10" (273T2)
13	3007203		•	PLAQUE TIGE DE SOUPAPE 41	3006978	•	•	DISQUE TURBULATEUR
14	3007029		•	JOINT TORIQUE - TIGE DE SOUPAPE SUPÉRIEURE 42	3006966	•	•	SUPPORT D'ÉLECTRODE
15	3007156		•	JOINT TORIQUE - TIGE DE SOUPAPE INFÉRIEURE 43	3006965	•	•	ADAPTATEUR DE GICLEUR
16	3007268		•	RACCORD DE SORTIE GICLEUR 44	3006980	•	•	TUBE D'HUILE GICLEUR - LONG
17	3007087		•	RONDELLE EN MÉTAL DÉFORMABLE 45	3005889	•	•	GROUPE RÉGULATEUR - LONG
18	3001157	C7001029		COMMANDE PRIMAIRE 530SE/C 46	3005891	•	•	GROUPE ÉLECTRODE - LONG
19	3002278		•	SOUS-BASE DE COMMANDE PRIMAIRE 47	3005869	•	•	PORCELAINE D'ÉLECTRODE
20	3006553		•	BRIDE EN U BOBINE ET ÉCROU CRÉNELÉ 48	3006982	•	•	TUBE D'AIR LONG
21	3002279		•	BOBINE 49	3006983	•	•	ADAPTATEUR CÔNE D'EXTRÉMITÉ
22	3007802	C7001010	•	POMPE 50	3006984	•	•	CÔNE D'EXTRÉMITÉ
23	3000443		•	CLAVETTE DE COMMANDE POMPE				
24	3005843	C7001034	•	MOTEUR				OPTION
25	3007317		•	CAPOT TUBE D'AIR 60	3008055	•	•	TUBE CAPILLAIRE
26	3002280		•	CAPTEUR FLAMME 61	3006911	•	•	VÉRIN HYDRAULIQUE
27	3005854		•	DEMI-BRIDE 62	3000879	•	•	VOLET D'AIR HYDRAULIQUE
28	3005855		•	BRIDE DE MONTAGE UNIVERSELLE 63	3002762	•	•	KIT D'ARRIVÉE D'AIR COMBURANT CANALISÉ
29	3005856		•	JOINT DE MONTAGE				
30	3005788		•	VENTILATEUR				
31	20087023		•	CONDENSATEUR				
32	3007357		•	REVÊTEMENT ACOUSTIQUE				
33	3007205		•	VOLET D'AIR MANUEL				
34	3007209		•	LOGEMENT D'ADMISSION D'AIR				

ATTENTION !
SI LE BRÛLEUR CODE 3726394 EST UTILISÉ, LE CAPOT PRÉCOUPÉ (CODE 3020509) DOIT ÊTRE ADOPTÉ POUR APPLIQUER LE KIT DE PRISE D'AIR DE COMBUSTION CANALISÉ (CODE 3002762).

FORMULAIRE DE DÉMARRAGE DU BRÛLEUR *

Référence ou modèle de brûleur: _____	Appareil: _____
Nom de l'installateur: _____	
Société: _____	Date d'installation: _____
Adresse: _____	
Téléphone: _____	Fax: _____
Nom du propriétaire: _____	
Adresse: _____	
Téléphone: _____	E-mail: _____

Infos sur le démarrage du brûleur (OIL)	
Info sur le gicleur: _____	Pression de pompe: _____
Réglage de l'air: _____	Réglage turbulateur: _____
Tirage au dessus du feu: _____	Rupture tirage: _____
CO ₂ : _____ CO: _____ O ₂ : _____	Densité de fumée: _____ (Bacharach) _____
Tuyau unique: <input type="checkbox"/>	Deux tuyaux: <input type="checkbox"/>

* Le présent formulaire a été conçu et fourni dans le manuel d'installation pour référence et également pour fournir des informations techniques qui peuvent être faxées ou transmises par courriel à notre coordinateur du service d'assistance technique lorsqu'une assistance technique est requise. Merci de compléter le présent formulaire, de le faxer ou de l'envoyer par courriel à l'adresse/au numéro de fax ci-dessus, ou d'envoyer un courriel avec les informations énumérées ci-dessous à : techservices@riellocanada.com

RIELLO

RIELLO S.p.A.
I-37045 Legnago (VR)
Tel.: +39.0442.630111
[http:// www.riello.com](http://www.riello.com)

RIELLO

35 Pond Park Road
Hingham, Massachusetts,
U.S.A. 02043

RIELLO BURNERS NORTH AMERICA
<http://www.riello.ca>

1-800-4-RIELLO

2165 Meadowpine Blvd
Mississauga, Ontario
Canada L5N 6H6