



# OPERATOR MANUAL

Central Heating Unit  
Model 2100-0900



**DRYAIR MANUFACTURING  
CORP.**  
PO BOX 126, 400 SERVICE ROAD  
ST.BRIEUX, SK S0K 3V0  
CANADA  
[www.dryair.ca](http://www.dryair.ca)

Tel: 1 (306) 275-4848  
Toll-Free: 1 (888) 750-1700  
Fax: 1 (306) 275-4664  
Email: [service@dryair.ca](mailto:service@dryair.ca)



## Table of Contents

|  |      |
|--|------|
| 1  |      |
| 1. Warranty Policies & Claim Procedures.....       | 5    |
| 2. Safety Concerns.....                            | 2-   |
| 10   |      |
| General Safety Guidelines.....                     | 2-10 |
| Water Heater Module.....                           | 2-2  |
| Heat Transfer Fluid .....                          | 2-2  |
| Fluid Handling Precautions.....                    | 2-2  |
| First Aid Measures .....                           | 2-2  |
| 3. Introduction .....                              | 3-1  |
| DRYAIR Components.....                             | 3-1  |
| Water Heater Module.....                           | 3-1  |
| Accessories.....                                   | 3-2  |
| Extension Reservoir Assembly .....                 | 3-2  |
| Mixing/Booster Pump.....                           | 3-2  |
| Optional Remote Manifold.....                      | 3-2  |
| Insulated Line Jackets.....                        | 3-2  |
| Portable Heat Exchangers .....                     | 3-3  |
| Plate Heat Exchanger .....                         | 3-3  |
| Fluid Circulation Lines .....                      | 3-3  |
| Circulation Line Heat Exchanger.....               | 3-4  |
| Hose Reel.....                                     | 3-4  |
| Trailers .....                                     | 3-4  |
| How the System Works .....                         | 3-5  |
| 4. Setup .....                                     | 4-1  |
| Required Safety Clearances.....                    | 4-1  |
| Elevation Concerns .....                           | 4-1  |
| Electrical Requirements & Connection.....          | 4-2  |
| Heat Transfer Fluid “HTF” .....                    | 4-2  |
| Heat Transfer Fluid Specifications .....           | 4-2  |
| Fuel/Gas .....                                     | 4-7  |
| Diesel/Light Oil .....                             | 4-7  |
| Propane Gas.....                                   | 4-7  |
| Natural Gas.....                                   | 4-7  |
| Burner Identification .....                        | 4-8  |
| Burner Removal .....                               | 4-8  |
| Burner Installation .....                          | 4-9  |
| 5. Operation .....                                 | 5-1  |
| Purging Air from the “HTF” Circulation System..... | 5-1  |

|   |      |
|---|------|
| Before Firing the System.....                                 | 5-1  |
| Temperate Start Procedure .....                               | 5-3  |
| Control Settings .....  | 5-3  |
| Initiate Firing .....   | 5-4  |
| Purging Air from the Diesel/Light Oil Fuel System.....        | 5-5  |
| Adding “HTF” to System.....                                   | 5-6  |
| Gas Connection and Start-up for Propane Burner:.....          | 5-10 |
| Gas Connection and Start-up for Natural Gas Burner.....       | 5-12 |
| 6. Troubleshooting.....                                       | 6-1  |
| No Power at Outgoing Side of Water Heater Toggle Switch ..... | 6-1  |
| No Power at Terminal #4 on Low Water Cut-off.....             | 6-1  |
| No Power at Flow Switch .....                                 | 6-1  |
| No Power at Outgoing Side of High Limit Switches.....         | 6-2  |
| No Power at Aquastat.....                                     | 6-3  |
| 7. Maintenance.....   | 7-1  |
| Daily Checklist .....   | 7-1  |
| Seasonal Checklist.....                                       | 7-1  |
| Heat Transfer Fluid “HTF” .....                               | 7-2  |
| 8. Appendix .....   | 8-1  |
| Important Certification & Operational Information .....       | 8-1  |
| Certification & Heater Specifications .....                   | 8-2  |
| Electrical Schematic .....                                    | 8-3  |
| Heat Transfer Fluid Preheater Information .....               | 8-4  |
| Material Safety Data Sheets .....                             | 8-6  |

## Table of Figures

|  |      |
|--|------|
| Figure 1 - Safety Decals.....                                  | 2-10 |
| Figure 2 – Model 2100-0900 .....                               | 3-1  |
| Figure 3 - Extended Reservoir .....                            | 3-2  |
| Figure 4 - Mixing/Booster Pump .....                           | 3-2  |
| Figure 5 - Optional Remote Manifold .....                      | 3-2  |
| Figure 6 - Portable Heat Exchangers .....                      | 3-3  |
| Figure 7 - Plate Heat Exchanger Unit .....                     | 3-3  |
| Figure 8 - Circulation Lines .....                             | 3-3  |
| Figure 9 - Hose Loop Length.....                               | 3-4  |
| Figure 10 - Hose Reel .....                                    | 3-4  |
| Figure 11 - Trailers .....                                     | 3-4  |
| Figure 12 - How the System Works.....                          | 3-5  |
| Figure 13 - Water Heater Module - Top View .....               | 4-1  |
| Figure 14 - Water Heater Module - Control Side View.....       | 4-1  |
| Figure 15 - Electrical Hookup (230V AC) .....                  | 4-2  |
| Figure 16 - Glycol/Water Mixture Chart .....                   | 4-3  |
| Figure 17 - Primary Circulation Line Connections.....          | 4-3  |
| Figure 18 - Diesel/Light Oil Burner.....                       | 4-8  |
| Figure 19 - Propane Gas Burner .....                           | 4-8  |
| Figure 20 - Natural Gas Burner .....                           | 4-8  |
| Figure 21 - Electrical Connection .....                        | 4-8  |
| Figure 22 - Fuel Supply and Return Lines.....                  | 4-9  |
| Figure 23 - Propane Gas/Natural Gas Burner Connections .....   | 4-9  |
| Figure 24 - Gas Supply Hose .....                              | 4-9  |
| Figure 25 - Riello Burner Tube & Mounting Bracket .....        | 4-9  |
| Figure 26 - Combustion Head Adjustment .....                   | 4-10 |
| Figure 27 - Automatic Air Vent Valve Cap.....                  | 5-1  |
| Figure 28 - HTF Level Gauge and Vent .....                     | 5-1  |
| Figure 29 Control Panel .....                                  | 5-2  |
| Figure 30 - Circulation Valve Positions.....                   | 5-4  |
| Figure 31 - HTF Fill Cap and Gauge .....                       | 5-6  |
| Figure 32 - Circulation Pump/Drain Valve.....                  | 5-6  |
| Figure 33 - Removing Burner Drawer Assembly .....              | 5-7  |
| Figure 34 - Burner Nozzle .....                                | 5-7  |
| Figure 35 - Ignition Electrode Setting .....                   | 5-7  |
| Figure 36 - Turbulator Setting .....                           | 5-8  |
| Figure 37 - Air Shutter .....                                  | 5-8  |
| Figure 38 - Fuel Pressure Adjustment .....                     | 5-8  |
| Figure 39 - Servo Motor .....                                  | 5-10 |
| Figure 40 - Servo Motor .....                                  | 5-12 |
| Figure 41 - Heat Exchanger Breakdown.....                      | 7-2  |
| Figure 42 - Non-Pressure Vessel Decal .....                    | 8-1  |
| Figure 43 - Water Heater Data & Serial Plate .....             | 8-2  |
| Figure 44 - 2100- Diesel Series CHU Electrical Schematic ..... | 8-3  |
| Figure 45 - HTF Preheater .....                                | 8-4  |



# 1. Warranty Policies & Claim Procedures

**DRYAIR MANUFACTURING CORP.** (referred to within as DRYAIR) warrants its new, unused equipment to be free of defects in material and workmanship at the time of delivery to the original retail purchaser.

## 1. STANDARD WARRANTY

- a. DRYAIR will repair or replace, without charge, any defective part of the equipment for a period of twenty four (24) months from delivery to the first retail purchaser, F.O.B St.Brieux, SK., Canada.
- b. All replacement parts shipped out for Warranty purposes will be invoiced to the customer. The Warranty Claim procedure is the process for compensation.
- c. Any parts that are covered by an extended warranty published by DRYAIR are an exception to the STANDARD Warranty policy and are to be warranted as per the details of the Extended Warranty Policy. *(Section #3 below)*.
- d. DRYAIR labor rate for Warranty Compensation is \$85.00/HR USA.
- e. DRYAIR reserves the right to cap the number of labor hours claimed based on the type of procedure being performed to correct the warranty issue. *(Schedule below in Section 4)*
- f. The Warranty Policy, terms and conditions, may change from time to time without prior notice.
- g. Warranty terms and conditions are transferable in the event of the sale to a second owner.
- h. Replacement parts will be warranted for 90 days from the repair date. Bill of sale must accompany the warranty claim.
- i. The terms of this Warranty Policy are subject to provincial and state legislation. DRYAIR reserves the right to make modifications in accordance with provincial and state legislation without prior notice or obligation.

## 2. Exceptions to STANDARD WARRANTY POLICY

- a. Under no circumstance shall the owner be entitled to recover costs for incidental, special or consequential damages such as, but not limited to: loss of profit or revenue, other commercial losses, inconvenience and/or replacement equipment rental cost.
- b. Maintenance, repair or service items not related to warrantable defects.
- c. Loss or damage during shipping.
- d. Failure resulting from lack of or improper maintenance.
- e. Damage caused by operator abuse, negligence or improper operation.
- f. Damage resulting from improper voltage supply.
- g. Damage from improper installation. Installation done by other than the manufacturer.
- h. Non-defective items replaced at the request of the customer.
- i. Damage due to accidents.
- j. Damage resulting from improper fuel supply (i.e. pressure or contamination).
- k. Damage resulting from cracked or broken lines occurring during transport.





#### 4. ELIGIBLE WARRANTY HOURS

- |  |              |
|--|--------------|
| a. Electrical Components (examples below)          | 1 hour       |
| i. Relays  |              |
| ii. Switches                                       |              |
| iii. Thermostats                                   |              |
| iv. Breakers                                       |              |
| v. Transformers                                    |              |
| vi. Temperature controls (ie:Aquastats)            |              |
| vii. Ignition Modules                              |              |
| viii. Solenoids                                    |              |
| b. Electrical Motors & Gear Boxes (examples below) | 1 hour       |
| i. Hose reel drives motors                         |              |
| ii. Fan coil motors                                |              |
| iii. Gear boxes – hoses reels                      |              |
| iv. Altivar drives                                 |              |
| c. Plumbing Components (examples below)            | 1 hour       |
| i. Flow reverser control                           |              |
| ii. Flow switches                                  |              |
| iii. Valves (ball & thermostatic)                  |              |
| iv. Various plumbing fittings                      |              |
| v. Electric preheaters                             |              |
| d. Pumps (examples below)                          | 2.5 hours i. |
| Various HP water pumps in our systems              |              |
| e. Burners (all Diesel, LP or NG burners)          | 2 hours      |
| f. Refractory Bricks (Model 2000-1200)             | 8 hours      |

#### 5. OWNER'S OBLIGATIONS

- a. It is the responsibility of the owner, at the owner's expense, to transport the equipment to the service facility of an authorized DRYAIR distributor/dealer or alternately to reimburse the distributor/dealer, for any traveling expenses incurred in fulfilling this warranty.
- b. The terms of this Warranty Policy are subject to provincial and state legislation. DRYAIR reserves the right to make modifications in accordance with provincial and state legislation without prior notice or obligation.
- c. It is the responsibility of the owner to read, understand and implement the maintenance, safety and operational guidelines as laid out in the Operation and Maintenance Guide.



- d. All parts to be tagged with warranty claim number and shipped prepaid to DRYAIR within 30 days.

## 6. MANUFACTURER'S OBLIGATIONS

- a. DRYAIR reserves the right to continually improve the product's parts or specifications at any time without notice or obligation.
- b. The terms of this Warranty Policy are subject to provincial and state legislation. DRYAIR reserves the right to make modifications in accordance with provincial and state legislation without prior notice or obligation.

## 7. NORTH AMERICAN WARRANTY DEPOTS

### USA

DRYAIR Manufacturing Corp.  
410 Douglas Road, Box 264  
Bradner, OH 43406  
Ph. 1 (888) 750-1700

### Canada

DRYAIR Manufacturing Corp.  
400 Service Road, Box 126  
St. Brieux, SK S0K 3V0  
Ph. 1 (888) 750-1700

**All Warranty Claims, without exception, require a WARRANTY CLAIM AUTHORIZATION NO. Please call 1-888-750-1700 or email [service@dryair.ca](mailto:service@dryair.ca) for number, DRYAIR Warranty Claim Form and Warranty Claim Procedures.**

## Completion and Submission of Warranty Claim

1. All Warranty Claims, without exception, require a WARRANTY CLAIM AUTHORIZATION NO. Please call 1-888-750-1700 or email [service@dryair.ca](mailto:service@dryair.ca) for number, DRYAIR Warranty Claim Form and Warranty Claim Procedures.
2. All warranty credits must be processed with a DRYAIR Warranty Claim Form.
3. Each warranty claim should only refer to one Serial No. unit. Each Warranty Claim can have multiple items on the claim.
4. Mileage and travel time to/from the customer are not eligible for warranty credit.
5. Freight charges for warranty parts are not eligible for warranty credit.
6. When claiming for warranty labor the allowable warranty labor rate will be \$85.00/hour
7. All warranty parts, unless otherwise specified, are to be returned to one of our DRYAIR Warranty Depots. *(Details of exceptions described below)*
  - i. Parts **required to be returned** to factory must be tagged with warranty claim number.
  - ii. **Examples** of items that are required to be returned to factory are: Pumps, electric motors, gas or diesel burners, hose, any gas valves or controls.
  - iii. Examples of items that are **not required to be returned** to the factory *(in these instances, please provide a picture of the defective part with the warranty claim)*: Seals, mechanical switches, relays, refractory bricks, various plumbing fittings, ball valves, level switches, enclosure, fender or cabinet components, chimney components, fuel lines.
  - iv. If in doubt about whether a component is required to be returned, please email [service@dryair.ca](mailto:service@dryair.ca) for direction.

## 2. Safety Concerns

### General Safety Guidelines

- Make certain that the operator reads and understands all the information in this manual.
- All unauthorized people must be kept away from the equipment while in operation.
- Maintain instructional and safety decals. Replace damaged decals (*Figure 1*).
- All guards must be in place when the equipment is in operation.



Figure 1 - Safety Decals

## Water Heater Module

**CAUTION!** *The water heater is a heating appliance.*

- Observe all posted warnings and cautions when dealing with any heating appliance.
- Keep children and pets away from all piping and fuel accessories.
- While the system is operating the water heater housing panels must be kept closed - This prevents drafts from affecting water heater operation.

## Heat Transfer Fluid

Follow the following precautions and measures when working with “heat transfer fluid” (“DOWFROST\* HTF” & “BOSS CHILL PG”).

### Fluid Handling Precautions

- Ventilation ..... Good general ventilation should be sufficient for most conditions.
- Respiratory protection No respiratory protection should be needed.
- Skin protection ..... For brief contact, no precautions other than clean, body-covering clothing should be needed.  
 ..... Use impervious gloves when prolonged or frequently repeated contact should occur.
- Eye protection ..... Use safety glasses.

### First Aid Measures

- Eyes ..... Flush eyes with plenty of water.
- Skin ..... Wash off in flowing water or shower.
- Ingestion ..... Induce vomiting if large amounts are ingested.  
 ..... Consult medical personnel.
- Inhalation ..... Remove to fresh air if effects occur.  
 ..... Consult a physician.
- Note to Physician ..... No specific antidote.  
 ..... Supportive care.  
 ..... Treatment based on judgment of the physician in response to reactions of the patient.

*For complete “heat transfer fluid” information, refer to the Material Safety Data Sheets for “Dowfrost HTF” & “Boss Chill PG” included with the manuals package.*

## 3. Introduction

### DRYAIR Components

#### Water Heater Module

- A compact and portable design. Forklift pockets on all four sides allow for easy positioning on the work site.
- Easy access from side doors.
- Automatic temperature control and fuel usage which responds to worksite demands.
- Low pressure, atmospherically vented circulation system. No special boiler certification is required to operate the system.
- Circulation system “automatic air vent” component for quick setup-and-go operation.
- A Water Heater Module Control Center which monitors and controls system operations.
- A multi-light system operation feature for easy system troubleshooting.
- Combustion Environmental Control System preheats the fuel and air used for combustion.





## Accessories

### Extension Reservoir Assembly

The Extended Reservoir Tank is required in scenarios when “portable heat exchangers” are higher than the top level of the glycol reservoir tank. If the Extended Reservoir tank is not used, the following can occur:

- Insufficient Fluid in the System**  
 Fluid can drain back to the heat transfer reservoir tank from the over-elevated fluid lines when the pump is shut off. The heat transfer reservoir tank will show adequate fluid, but when the pump is started extra fluid will be required to recharge the over-elevated fluid lines and portable heat exchangers and the system will then have insufficient fluid in the reservoir.
- Fluid Overflow**  
 If fluid is added to maintain proper fluid levels while the pump is running, overflow at the reservoir tank will occur when the pump is shut off. This would occur because of the drain back from the over-elevated fluid lines.



Figure 3 - Extended Reservoir

### Mixing/Booster Pump

The multifunctional mixing/booster ensures maximum flexibility in the use of this system.

- Tempering mode supplies lower temperature fluid for concrete cure and radiant floor heat applications, eliminating the need to reduce the water heater operating temperatures below safe operating ranges.
- When operating in booster mode the system can increase flow rates or function as a pumping station to increase pumping distances by over 300ft per station.
- The system also allows for dual-temperature control. High temperature fluid can be provided to portable heat exchangers, along with a lower temperature fluid for concrete cure and radiant floor heat applications.



Figure 4 - Mixing/Booster Pump

**Note:** Disengage Flow Reverser when using this accessory.

### Optional Remote Manifold

The multifunctional mixing/booster ensures maximum flexibility in the use of this system.

- Allows for additional distribution and/or separation between the central heating trailer and the manifold.



Figure 5 - Optional Remote Manifold

### Insulated Line Jackets

Insulated circulation line jackets are also available. These insulated jackets will prevent exposed circulation line heat loss in extreme subzero conditions.

### Portable Heat Exchangers

Portable heat exchangers are the ideal way to heat and/or dry enclosed structures. Their compact and mobile design allows them to be positioned where required on the job site. The efficient fan/coil design provides a high rate of heat transfer. High volume fans then deliver this heat evenly throughout a large area. The clean, low relative humidity heat delivery minimizes energy costs by eliminating the need to draw in fresh outside air. With this system, you just reheat warm internal air, rather than heating cold external air.



Figure 6 - Portable Heat Exchangers

**Note:** Disengage Flow Reverser when using this accessory.

### Plate Heat Exchanger

The plate heat exchanger module uses a stacked parallel flat plate braised heat exchanger. This creates two separate and isolated fluid loops. In glycol-glycol situations it can extend the range of the HTF distribution. In other situations, it can be used to transmit heat energy from the glycol to another fluid. The plate heat exchangers combined with a central heating module can be used:



Figure 7 - Plate Heat Exchanger Unit

- To extend the effective range and lengths of the primary distribution lines.
- In a multi-story application to extend the vertical range of the primary distribution lines.
- In an HTF to liquid heating application, such as heating a swimming pool or other volume of water (or other low-viscosity non-corrosive liquid).

**Note:** Disengage Flow Reverser when using this accessory

### Fluid Circulation Lines

Fluid circulation lines are designed to endure the toughest work site environments. Portable distribution manifolds connected to the primary circulation system redistribute the heat transfer fluid through secondary lines. All fluid circulation components come with isolation valves and quick couplers, ensuring quick set up, start up, and quick disassembly when the job is done. DRYAIR provides a full range of hoses, adapters, and manifolds for handling and distributing HTF.



Figure 8 - Circulation Lines



### Circulation Line Heat Exchanger

The circulation line heat exchangers are the perfect solution for:

- Heating and/or thawing cold or frozen ground
- Frost prevention
- Concrete curing and heating in subzero environments
- Hose loops are typically 500ft in length with maximum of 1,000ft achieved by connecting two hoses together. Refer to the Components, Hose Reel section of the Operator Manual to verify hose length for your unit.

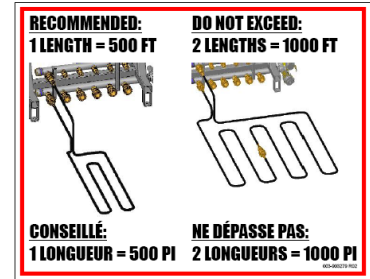


Figure 9 - Hose Loop Length

This system can be applied to all types of concrete applications. Circulation line heat exchangers can be secured directly against the surface of the concrete or concrete forms. Alternatively, an expendable circulation line can be incorporated into the concrete structure during the pour. Thus, the slab floor can continue being heated, to provide radiant floor heat during construction.

### Hose Reel

The DRYAIR Hose Reel can hold over 6,000 feet of 5/8" I.D. circulation line heat exchanger hose. The reel can be transported by common carrier, or slings can be used for lifting. The hose reel is forklift accessible from all four sides.

The reel is ideal for on-site applications:

- A “unique” auto-feed system eliminates the need for a second person at the reel when laying out hose.
- The independent modular design lets you store the Hose Reel at a secure location on or off the job site when not in use. The independent modular hose reel also allows deployment of hose at more than one job site.
- The reel can be used to store or deploy other distribution lines used in DRYAIR portable heating applications.
- The reel can also be secured onto its own transport trailer. The trailer’s “no-clog” opening directly under the Hose Reel prevent mud build-up. A “no-slip” working deck promotes safe, convenient, and dry hose reel operation.



Figure 10 - Hose Reel

### Trailers

Several different models are available upon request depending on the required applications. Single or tandem axle trailers are available depending on the size of Water Heater module and the accessories requiring transportation. Call DRYAIR for details.



Figure 11 - Trailers

## How the System Works

The system uses a low-pressure, open-fluid loop distribution system with an atmospherically vented fluid reservoir. A hydronic Water Heater warms the heat transfer fluid. This heated fluid is pumped through heat exchangers in remote locations.

Two types of exchangers are available: Portable Heat Exchangers and Circulation Line Heat Exchangers.

- Portable Heat Exchangers include a heat transfer coil, fan, and thermostatic temperature control. The heat transfer fluid flows through the transfer coil, where heat is transferred to the air being drawn through the coil by the fan. The coil is specially designed for optimum heat transfer, without adding any moisture or combustion by-products to the air.
- Circulation Line Heat Exchangers use flexible hose with hydraulic-style quick couplers for ease in hookup. Heat transfer occurs by direct contact heat transfer and radiant heat conduction.

The Mixing/Booster unit can be utilized to:

- Provide lower temperature fluid for concrete cure and radiant floor heat applications.
- Provide dual temperature control with a single fluid circulation system.
- Boost fluid flow and increase pumping distances.

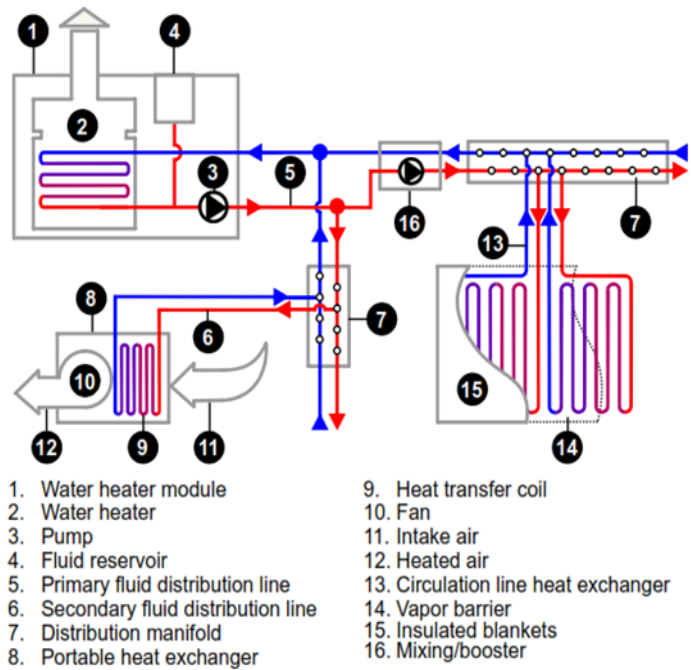


Figure 12 - How the System Works

## 4. Setup

The positioning of all the system components on the site will be influenced by several factors. Please read all the “Setup” section before beginning.

Be sure to observe all local electrical codes and fire regulations when positioning the central heating module.

### Required Safety Clearances

The Water Heating Module is a heating appliance, therefore safe heat and exhaust clearances must be observed.

- Maintain 24” of clearance on all sides of the unit (*Figure 13*).
- Maintain 36” of clearance on all sides of the flue pipe and chimney cap (*Figure 14*).
- Confirm that the Water Heater module air intakes, on three sides of the Water Heater Module, are free of any obstructions.

### Elevation Concerns

Do not place any "portable heat exchangers" or "circulation line heat exchangers" higher than the top level of the heat transfer fluid fill tank without using a reservoir extension kit. If this is not observed, the following can occur:

- **Insufficient Fluid in the System**  
Fluid will drain back to the heat transfer fill tank from the over-elevated fluid lines when the pump is shut off. The heat transfer fill tank will show adequate fluid, but when the pump is started extra fluid will be required to recharge the over-elevated fluid lines and portable heat exchangers and the system will have insufficient fluid in the reservoir.
- **Fluid Overflow**  
If fluid is added to maintain proper fluid levels while the pump is running, overflow at the fill tank will occur when the pump is shut off. This would occur because of drain back from the over-elevated fluid lines.

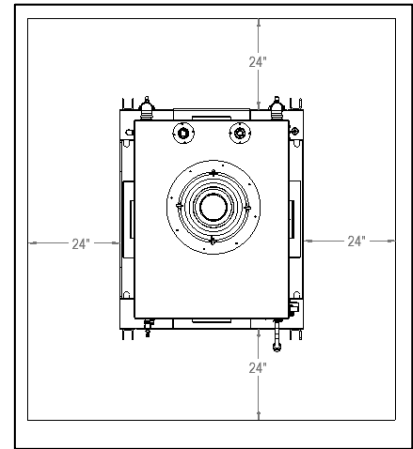


Figure 13 - Water Heater Module - Top View

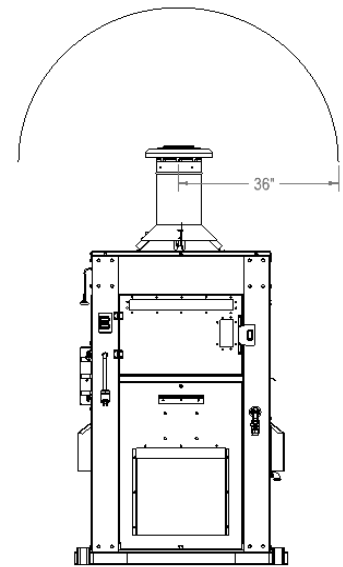


Figure 14 - Water Heater Module - Control Side View

## Electrical Requirements & Connection

When determining the Water Heater location on site, consider setting up near the electrical power supply.

**Note:** *This applies mainly to systems not equipped with a dedicated generator.*

- The main feed wiring must be adequately sized to carry the minimum ampacity shown on the water heater cabinet’s rating label. All electrical connections, connectors and wire must be CSA/UL compliant and installed according to local laws and codes.
- Before making any electrical connections, be sure that the electric power supply is “Off”.

### Electrical Connection

- The Water Heater Module requires 115/230V AC Power. The module is factory wired so that the only connection to be made is a 230V AC service outlet.
- The main feed wiring must be adequately sized to carry the minimum ampacity shown on the water heater cabinet’s rating label.
- All electrical connections, connectors and wire must be CSA/UL approved, and installed according to local laws and codes.
- A 4-wire hookup is required for all systems to work properly. Warranty is void if the wiring hookup is not done correctly (Figure 15).

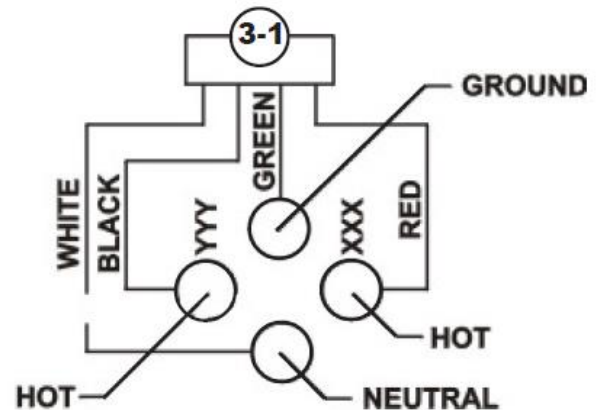


Figure 15 - Electrical Hookup (230V AC)

**Note:** *Warranty is void if the wiring hookup is not done correctly.*

## Heat Transfer Fluid “HTF”

**CAUTION!** *At no time should you use automobile antifreeze in your system. The use of automobile antifreeze will void your warranty.*

- The heat transfer fluid “HTF” level should show no more than  $\frac{1}{4}$  on the gauge (cold fluid) at start-up. As the “HTF” warms to operating temperature, fluid expansion will raise the level to  $\frac{1}{2}$  or  $\frac{3}{4}$  on the gauge (depending on the total volume of fluid in the circulation system).

### Heat Transfer Fluid Specifications

- The system is shipped with pre-mixed “HTF”, made up of 50% “Dowfrost ® HTF” or “Boss Chill PG” and 50% water\*, by weight – freeze protection down to -28°F (-33°C).
- The “glycol/water mixture chart” below will provide you with more information on the proper mixture for your area.
- “Dowfrost ® HTF” or “Boss Chill PG” must be used. The pure “Dowfrost ® HTF” or “Boss Chill PG” heat transfer fluid used in the system is made of a blend of 95-97%

Propylene glycol, <5% Dipotassium phosphate and deionized water (see Safety Concerns section – MSDS sheets) for additional information.

- Soft water with a pH level (#7) must be used.

| Percent Propylene Glycol |           | Freezing Point |       |
|--------------------------|-----------|----------------|-------|
| By Mass                  | By Volume | °F             | °C    |
| 0.0                      | 0.0       | 32.0           | 0.0   |
| 10.0                     | 9.6       | 26.1           | -3.2  |
| 20.0                     | 19.4      | 17.9           | -7.8  |
| 30.0                     | 29.4      | 6.7            | -14.0 |
| 40.0                     | 39.6      | -8.1           | -22.3 |
| 50.0                     | 49.9      | -28.9          | -33.8 |
| 60.0                     | 60.0      | -54.9          | -48.3 |

Figure 16 - Glycol/Water Mixture Chart

**CAUTION!** Whenever coupling or uncoupling quick couplers, make sure that the isolation valves are closed, and the pump is off. Failure to do so may put you at risk of injury from eye and/or skin exposure to hot glycol.

## Primary “HTF” Circulation Lines

- If possible, position the primary circulation lines out of high traffic areas.
- If primary “HTF” circulation lines are required, connect the primary circulation lines to manifold “supply” and “return” quick couplers at the back of the central mobile enclosure. Quick couplers are attached to both ends of the primary circulation lines to enable quick coupling. This also allows the isolation of the primary lines while retaining heat transfer fluid “HTF” in the lines. Plus, set up and dismantling of the circulation system is much quicker.



Figure 17 - Primary Circulation Line Connections

## Insulating Hoses

Whenever hoses are placed outside (either from the unit to the interior of a building, performing ground thaw, concrete curing, or any other operation) the hoses should be insulated to protect against any form of heat loss. It will make your operation run more efficient as you are not losing heat unnecessarily.

- When thawing ground or curing concrete, it is best to place insulated blankets over of the hose to keep the heat directed towards the ground or concrete.
- When running lines to a building from outside, insulation should be wrapped around the supply and return hoses to prevent heat loss to the outside atmosphere.



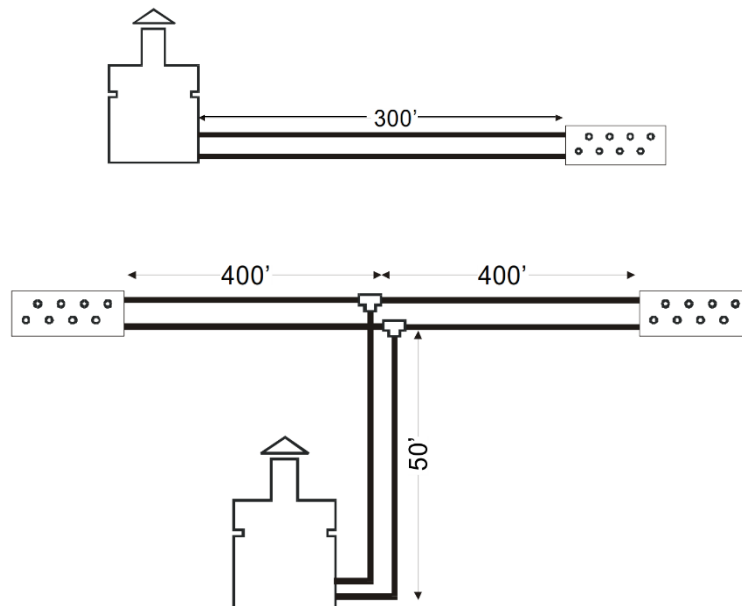
## Hanging Hoses

Hoses may need to be hung from time to time to keep them off of the floor for different purposes. When hanging hoses be sure to never kink hoses as fluid will not be able to pass through them as easily as it should. Hanging hoses should be done with a solid support, and no sharp edges. This will be the best way to keep your hoses flowing correctly, as well keeping them in good condition. Try to hang hoses in a way which creates the least amount of pulling stress on the hose connections.

## Recommended Maximum Hose Lengths

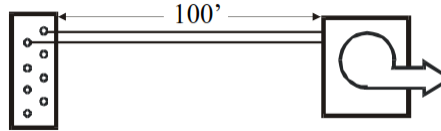
“Central Heating Unit” to “Manifold”

- One way – 300 feet (Figure 3-1)
- Two way – 400 feet each way (Figure 3-2).



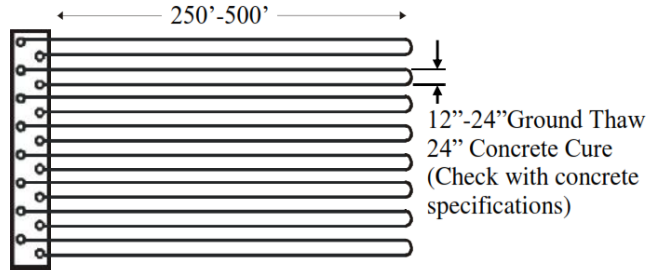
“Manifold” to “Portable Heat Exchanger”

- 100 feet (Figure 3-3).



Ground Thaw Loops

- 500 foot loops
- Max up to 1000 feet by using two hoses together (Figure 3-4).



## Formulas & General Information

Hose length required for ground thaw or concrete curing.

$$L_H = \frac{SF}{H_{SP}}$$

Where:

$L_H$ = Hose Length required to cover area.

$SF$ = Area of ground to be thawed or concrete to cure.

$H_{SP}$ = Hose spacing in feet;

- 1.5' Ground Thawing @ 84 BTU/ft typically
- 2' Curing Concrete @ 50 BTU/ft typically

Example:

An area of 7500ft<sup>2</sup> to be thawed.

$$L_H = \frac{7500ft^2}{1.5ft}$$

$$5000ft = \frac{7500ft^2}{1.5ft}$$

What size of GTS would be required?





$$\text{Machine} = L_h \times 84 \frac{\text{BTU}}{\text{ft}}$$

$$\text{Machine} = 5000 \text{ft} \times 84 \frac{\text{BTU}}{\text{ft}}$$

$$420,000 \text{BTU} = 5000 \text{ft} \times 84 \frac{\text{BTU}}{\text{ft}}$$

This indicates that a GTS600 would do the job. However extra hoses may be required.

Glycol weight calculation;

$$W_G = SG \times 1 \frac{\text{Kg}}{\text{liter}}$$

$$W_G = SG \times 8.345 \frac{\text{lbs}}{\text{USGallon}}$$

Where:  $W_G$  = Weight of Glycol  
SG = Specific Gravity of Glycol  
(From the MSDS of the Glycol product)



## Fuel/Gas

See "Burner Setup – Burner Identification" – below for burner type.

### Diesel/Light Oil

- Only clean #1 or #2 diesel fuel or light heating oil is suitable for use in the system. \*
- The central heating module comes equipped with Supply and Return fuel quick couplers. Both Supply and Return lines must be connected to tank for proper operation.
- The fuel system utilizes a two-pipe system to ensure efficient fuel supply to the burner.

*\* Contact your local fuel supplier to inform them of the requirements.*

### Propane Gas

- A supply of "Propane Vapor" should be connected to the inlet of the secondary regulator at a pressure of 10 PSI MAX.

*\* Provide your local Propane supplier with BTUH input requirements to ensure an adequate volume of vaporized propane even in the coldest ambient conditions.*

### Natural Gas

- A supply of "Natural Gas" should be connected to the manual gas train supply valve at a pressure of approximately 12-14" W.C.

*\* Provide your local Natural Gas Utility Company with BTUH input and pressure requirements to ensure adequate volume of gas at the correct pressure range.*

## Burner Identification

Riello’s identification label is located on the top flange of the burner’s main chassis plate and identifies if the burner is for use with “Diesel/Light Oil”, “Natural Gas” or “Propane Gas”.

White vinyl labels are also located on both the burners’ main chassis plate and to the top of the burner cover hood:

- Black Lettering = Diesel/Light Oil Burner (*Figure 18*)
- Red Lettering = Propane Gas Burner (*Figure 19*)
- Blue Lettering = Natural Gas Burner (*Figure 20*)

If the installed burners are correct for the fuel type to be used, proceed to the applicable startup section.

If a burner for a different fuel is required, it **must** be obtained from your DRYAIR Manufacturing Corp. distributor. The existing burner must then be removed before the alternate burner can be installed.

## Burner Removal

To remove an existing **Riello Model 40-F20 Diesel/Light Oil Burner**, use the following sequence:

1. Make certain that the power supply to the water heater is disconnected.
2. Disconnect the electrical connection to the burner by unplugging the 6-pin Molex connector. This connection is on a cord by the right side of the burner. (*Figure 21*)
3. Disconnect the combustion air duct by loosening the gear clamp-band.
4. Disconnect the fuel supply hose and fuel return hose by uncoupling the quick connections on the side of the burner. The loose supply and return hose ends may be coupled together and pushed aside out of the way inside the cabinet. (*Figure 22*)
5. Remove 2 nuts from top of burner tube bracket. (*Figure 25*)
6. Pull burner toward you and away from the mounting bracket. (*Figure 25*)



*Figure 18 - Diesel/Light Oil Burner*



*Figure 19 - Propane Gas Burner*



*Figure 20 - Natural Gas Burner*



*Figure 21 - Electrical Connection*

To remove an existing **Riello Model 40-G900 Propane Gas Burner** or **Natural Gas Burner**, use the following sequence:

1. Make certain that power supply and gas supply are shut off and disconnected from the water heater.
2. Disconnect the electrical connection to the burner by unplugging the 6-pin Molex connector and the 4-pin Molex connector. This connection is on a cord by the right side of the burner. (Figure 21)
3. Disconnect the combustion air duct by loosening the gear clamp-band. (Figure 23)
4. Close off the manual gas train valve. (Figure 23)
5. Use 2 wrenches to loosen and disconnect the gas supply hose from the gas train to burner. (Figure 24)
6. Remove 2 nuts from top of burner tube bracket. (Figure 25)
7. Pull burner toward you and away from the mounting bracket.
8. Replace the gas train plug to prevent a blockage or debris. (Figure 24)

## Burner Installation

To install an alternate **Riello Model 40-F20 Diesel/Light Oil Burner**:

1. Insert burner into the mounting bracket.
2. Install 2 nuts at top of burner tube bracket. (Figure 25)
3. Connect the fuel supply hose and fuel return hose by coupling them to the quick connections on the side of the burner. (Figure 22)
4. Make the electrical connection to the burner by plugging in the 6-pin Molex connectors. (Figure 21)

To install an alternate **Riello Model 40-G900 Propane Gas Burner** or **Natural Gas Burner**:

1. Insert burner into the mounting bracket.
2. Install 2 nuts at top of burner tube bracket. (Figure 25)
3. Connect gas supply hose from gas train to burner. Use 2 wrenches to tighten. (Figure 24)
4. Open the manual gas train valve.
5. Remove locking nut and swing burner chassis away to expose the combustion head adjustment mechanism. Loosen Allen screw and move the head assembly until the rear edge of the air tube coincides with the desired number setting. (**Error! Reference source not found.**)
  - a. Setting for model "2100-0900" (natural gas or propane) should be 5.0

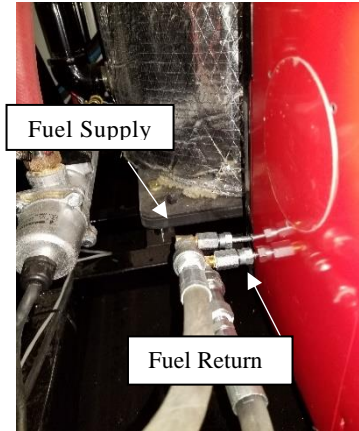


Figure 22 - Fuel Supply and Return Lines

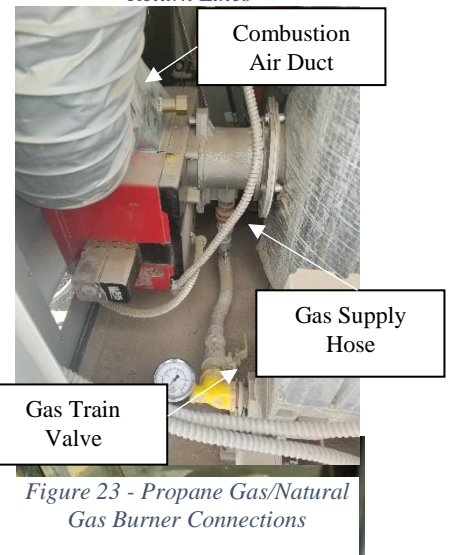


Figure 23 - Propane Gas/Natural Gas Burner Connections



Figure 24 - Gas Supply Hose

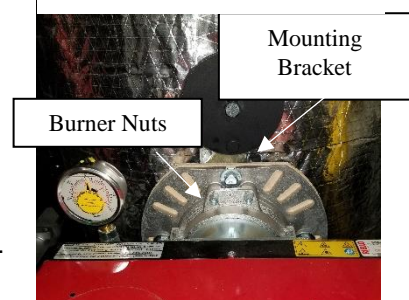


Figure 25 - Riello Burner Tube & Mounting Bracket

6. Lock off the setting, swing the burner closed and replace the locking nut.
7. Connect combustion air duct and tighten the gear clamp-band.
8. Make the electrical connection to the burner by plugging in the 6-pin Molex connectors. The 4-pin Molex connector must also be connected, as this controls the gas train.  
(Figure 21)

### COMBUSTION HEAD ADJUSTMENTS

To set combustion head, loosen the Allen screw (A) and move the elbow (B) so that the rear edge of the air tube (C) coincides with the set point number (D). Retighten the Allen screw (A).

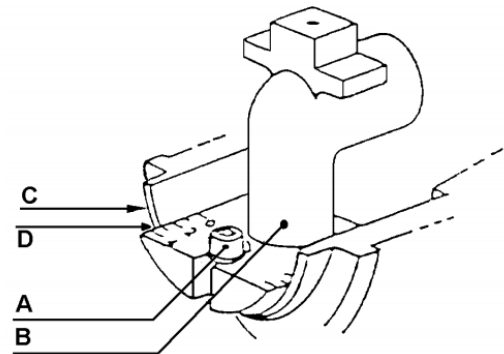


Figure 26 - Combustion Head Adjustment

## 5. Operation

### Purging Air from the “HTF” Circulation System

- Verify that the primary circulation lines are connected to the “Supply” and “Return” isolation valves on the Water Heater Module.
- Verify that the primary circulation lines are connected to a distribution manifold.
- Complete the connection for one “heat exchanger loop” or Portable Heat Exchanger. This will close the heat exchanger loop and allow circulation.
- Verify that the “Supply” and “Return” isolation valves and the isolation valves at both ends of the primary circulation lines are in the “open” position.
- The automatic air vent valve cap should not need adjustment. The valve cap should be opened 1 ½ turns (counterclockwise) from fully closed to allow air escape from HTF system.
- Toggle the pump switch to the “ON” position and run the pump. This will release the air from the system.
- Monitor the process.
- Note that there may be a certain amount of air in the system. HTF levels may change as air is displaced from the system. Add HTF to maintain ¼ and ¾ level.
- When the air is eliminated, the “System Pressure” gauge will hold at a steady reading of between 15 to 40 PSI.



Figure 27 - Automatic Air Vent



Figure 28 - HTF Level Gauge and Vent

### Before Firing the System

- Verify that the power supply is correct, and that the electrical hookup is as specified in “Setup”.
- Verify that the Water Heater is being supplied with the same fuel type as indicated on the Water Heater data plate (LIGHT OIL/DIESEL FUEL, NATURAL GAS, or PROPANE).
- Verify that the “Supply” and “Return” isolation valves are closed.
- Verify that the fuel line valves are open.
- Verify that the HTF level gauge shows approximately ¼ full.



## Cold Start Procedure

The system has a built-in electric HTF pre-heater, which will heat the HTF in the heat exchanger without the burner being turned on. This device is unique to DRYAIR equipment. It is not always necessary to use this device, but it will make the unit start more smoothly and reduce maintenance costs associated with “cold starts”. To utilize the HTF preheater, follow the procedure below:

- Plug in power supply.
- Confirm that the pump switch and Water Heater switch are in the “OFF” position.
- Position all four breakers to the “ON” position. This will automatically energize the “cold start” HTF pre-heater.
- Wait until the “Supply Temperature Gauge” reads between 80°F to 90°F (27°C to 32°C). The time required for the heat transfer fluid in the heat exchanger to reach this temperature will depend on the outdoor ambient air temperature.
- Toggle the pump switch located on the control panel to the “ON” position. Once the pump is turned on, the “cold start” HTF pre-heater is automatically shut off.
- With the pump on and the “Supply” and “Return” isolation valves on the exterior of the heat module in the closed position, the HTF will circulate through the heat module’s internal bypass system. This will supply warm HTF to the combustion air and fuel preheat systems, which tempers combustion air and fuel for smooth burner startup and operation.
- Continue circulating the HTF within the heat module’s distribution system for 5 minutes.
- The burner is now ready to be fired. Proceed with the “Temperate Start Procedure”.



Figure 29 Control Panel

## Temperate Start Procedure

Start this procedure when:

- The ambient outdoor air temperature is above 50°F (10°C); or
- The recommended “cold start procedure” has been completed, if below freezing.

## Control Settings

### Low Flow Situation

Utilizing only one 80 or 200 portable heat exchangers or only one or two circulation line exchanger loops.

- Water heater heat exchanger temperature overrun can be expected, therefore, initially set the aquastat at 140°F (60°C) and the high limit switch at 200°F (93°C).

**Note:** *A single line “heat exchanger loop” may not have enough flow to activate the system flow switch. If this occurs, consider adding another loop of hose to increase flow and reactivate the system.*

### High Flow Situation

Utilizing two or more portable heat exchangers or three or more circulating line heat exchanger loops.

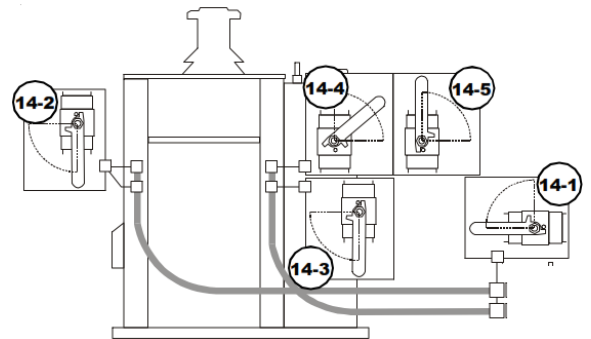
- Set the aquastat at 180°F (83°C)

## Initiate Firing

- Verify that the “Pump Switch” is in the “ON” position.
- Toggle the “Water Heater Switch” to the “ON” position.
- The burner will proceed through its firing sequence.
- Once the system pressure is steady (air has been eliminated from the system), monitor the “Supply Temperature” until it is within 10°F of the Aquastat temperature setting.
- Verify that only one “heat exchanger loop” or one Portable Heat Exchanger is connected to the primary line through the distribution manifold. This will close the loop and allow circulation from the “Supply” side to the “Return” side of the primary circulation line.
- Open fully the “Supply” isolation valves (*Figure 30 - 14-2*).
- Open fully the “Return” primary circulation line valve (*Figure 30 - 14-3*).
- Open the “Return” isolation valve (*Figure 30 - 14-4*) to the “half open” position. The “half open” position will ensure a slow introduction of cold HTF into the external circulation system and prevent a “cold shock” of the system.

**Note:** Do not close this valve more than the ½ closed position. The restricted flow may prevent the firing of the water heater.

- Incrementally open the “Return” isolation valve to a fully open position (*Figure 30 - 14-5*).
- Monitor the “Return Temperature Before Bypass” gauge. Before fully connecting more “heat exchanger loops” or “portable heat exchangers”, this gauge must show a noticeable rise in temperature indicating the HTF has made the full circuit. With “heat exchanger loops”, this may take approximately 10 minutes or more.
- Repeat the previous step until all “portable heat exchangers” or the “heat exchanger loops” are connected and circulating.



*Figure 30 - Circulation Valve Positions*



## Purging Air from the Diesel/Light Oil Fuel System

If the burner does not fire, the fuel system may need to be purged of air.

- Confirm that there is an adequate fuel supply.
- Ensure couplers are all attached.
- Open all diesel valves.
- Confirm that the pump switch is in the “On” (up) position.
- Toggle the water heater switch to the “On” (up) position.
- Depress the reset button(s) on the burner(s). It may be advisable to initiate firing on one burner first, prior to priming the second burner. This will activate the fuel pump & burner firing sequence.
- When the fuel system is primed, the fuel pressure gauge will show a steady reading and the water heater should attempt to ignite.

**Note:** *The reset process can be tried up to six times, at the most. If the water heater does not fire, see the accompanying “Water Heater Module - Service Manual” or “Riello Burner Installation Manual” for information and/or contact DRYAIR Technical Support 1 (888) 750-1700.*

## Adding “HTF” to System

Verify that the power supply is correct, and the electrical hookup is as specified in “Setup.”

- Ensure all breakers are in the “On” position.
- Add premixed “HTF” to the 2” bung on top of the glycol tank (see “Setup” for heat transfer fluid specification).
- While watching the glycol level gauge, continue to fill the system until the glycol level gauge shows ½ full.

**Note:** Caution must be taken when approaching the ½ full mark as it could take 2-3 seconds to register the actual level.

### In the case of overfull situations, do the following:

- Attach a drain hose to the drain valve.
- Insert drain hose into a barrel, pail, or jug with sufficient room for the “HTF”.
- Open drain valve to release “HTF”.
- Once the desired amount of “HTF” has been attained and the glycol level gauge is showing ½ full, turn the drain ball valve to the “Closed” position and continue with the following procedures.



Figure 31 - HTF Fill Cap and Gauge

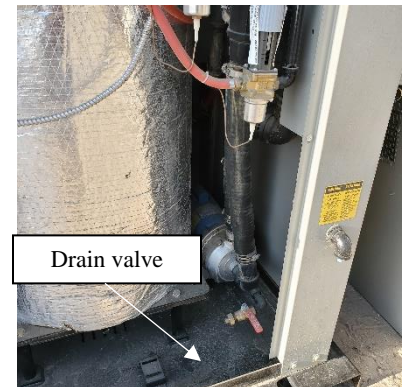


Figure 32 - Circulation Pump/Drain Valve

## Startup for Diesel/Light Oil Burner:

**Note:** The following steps must be performed by “Qualified Personnel” only. Contact your local fuel supplier to inform them of requirements. Only clean, #1 or #2 diesel fuel or light heating oil is suitable for use in this system. These are factory settings, based on standard elevation. Adjustments must be made for high elevation.

1. Remove burner hood.
2. To remove the drawer assembly:
  - Loosen screw (Figure 33 - 3), then unplug control box (Figure 33 - 1), by carefully pulling it back and then up.
  - Remove the air tube cover plate (Figure 33 - 5) by loosening the two retaining screws (Figure 33 - 4).
  - Loosen screw (Figure 33 - 2) and the fuel supply line connection then slide the complete drawer assembly out of the combustion head as shown.
3. Remove the nozzle adapter (Figure 34 - 2) from the drawer assembly by loosening the screw (Figure 34 - 2).
4. Check the nozzle to ensure correct size and type. If wrong, replace the nozzle with one of the correct sizes and types listed below. Nozzles should be replaced after 5,000 hours of service due to gradual erosion of the orifice from high pressure flow.
  - Model 2100-DG-0900 nozzle = 5.00 x 60°B
5. Replace the nozzle adapter into the drawer assembly and re-source the retaining screw.
6. Check the position of the ignition electrodes. Refer to Figure 35 for correct alignment. Adjust if necessary. These dimensions must be observed and verified.

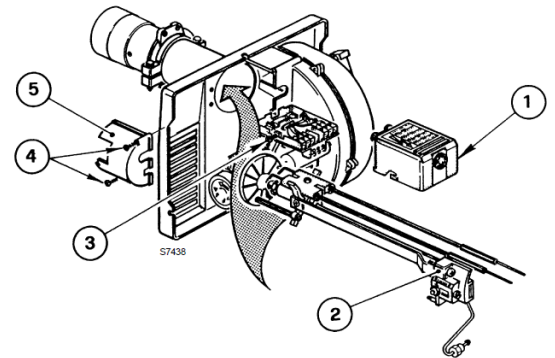


Figure 33 - Removing Burner Drawer Assembly

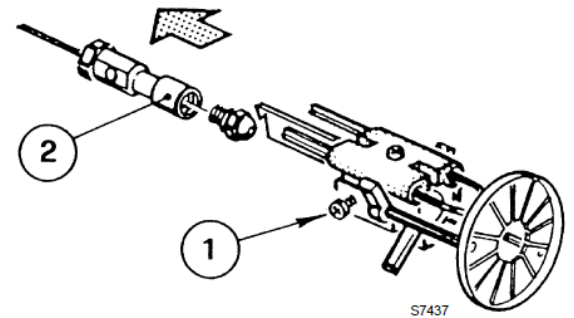


Figure 34 - Burner Nozzle

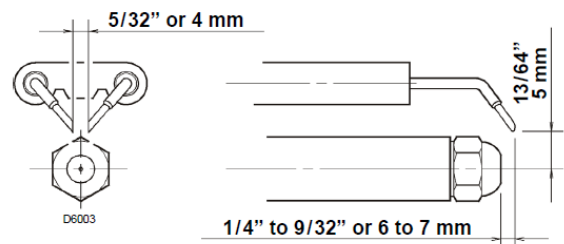
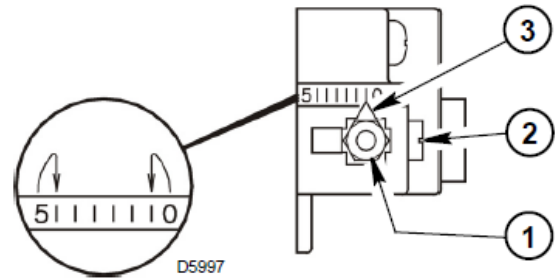


Figure 35 - Ignition Electrode Setting

7. To set the turbulator adjustment assembly:

- Loosen nut (Figure 36 – 1) and turn screw (Figure 36 – 2) until index marker is aligned with the correct index number. Re-tighten the retaining nut (Figure 36 – 1).  
Note: Zero and five are scale indicators only. From left to right the first line is 5 and the last line 0.
- Correct turbulator settings are:
  - Model 2100-DG-0900 = 4.0



- 8. Insert the drawer assembly back into the burner tube. Replace the control box and cover plate by reversing procedure described in 2.
- 9. Connect power supply to the water heater and establish flow of heat-transfer-fluid by turning on the circulating pump's toggle switch, located on the control panel. Open supply and return isolation valves.
- 10. Initiate a try for ignition by turning on the water heater toggle switch located on the control panel. The burner will go through a pre-purge cycle before trying for ignition. Due to air in the fuel line, you may have to re-initiate the ignition cycle multiple times, by pressing and holding the burner reset button for at least 10 seconds. Once all air is eliminated, the burner should light. The burner will run on low for about ten seconds before shifting to high fire.

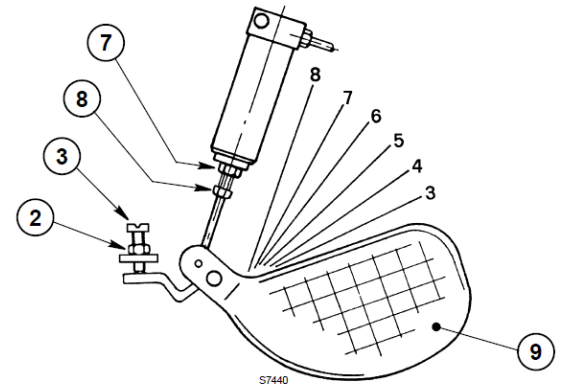


Figure 37 - Air Shutter

**Note:** If the diesel/light oil burner fails to ignite after several attempts, there may be air in the fuel system. To purge the air from the fuel system – see “Operation - Purging Air from the Diesel/Light Oil Fuel System” section of the Operator Manual.

11. To set the burner's air shutter and fuel pressure (Refer to Figure 37 and Figure 38).

- While the burner is firing on **low**, loosen retaining nut (2) and turn the adjusting screw (3) until the top of the air shutter (9) is correctly positioned. Hold adjusting screw in position and secure by tightening the retaining nut. Preliminary settings for low fire are:
  - Model 2100-DG-0900 = 3.0
- Fuel pressure for **low fire** is factory set to 100 PSI for all models.

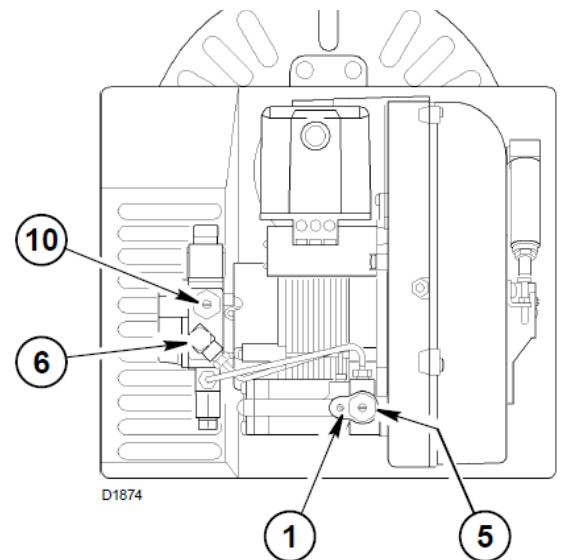


Figure 38 - Fuel Pressure Adjustment

- While the burner is firing on **high**, set fuel pressure by turning the pressure regulator adjustment screw. Fuel pressure gauge is provided to monitor this adjustment. Fuel pressure settings for **high fire** are:
    - Model 2100-DG-0900 = 145 psi
  
  - While the burner is firing on **high**, loosen retaining nut and turn the bolt in a counterclockwise direction until about ¾” of thread is visible. Position the air shutter so the top of the air shutter is aligned with the proper index line. Hold the shutter in the position and turn the adjusting bolt clockwise until a resistance is met. Preliminary air shutter setting for **high fire** are:
    - Model 2100-DG-0900 = 8.0
12. Using a good quality Smoke Spot Tester and Flue Gas Analyzer, take flue gas sample readings at the test port in the flue pipe above the cabinet. Fine tune the readings by adjusting the burner’s air shutter, to achieve acceptable efficiency and emission levels. Final readings must be taken with the burner cover in place and the combustion air duct connected. **Note:** *This step is essential for clean, efficient combustion.*

Acceptable levels are:

| 2100-DG-0900    |                  |                  |
|-----------------|------------------|------------------|
|                 | Summer Fuel      | Winter Fuel      |
| FT (Flue Temp)  | 600°F to 650°F   | 575°F to 625°F   |
| O <sub>2</sub>  | 3.2% ± 0.5%      | 4.3% ± 0.5%      |
| CO              | Less than 25 ppm | Less than 25 ppm |
| EFF             | Greater than 80% | Greater than 80% |
| CO <sub>2</sub> | 13% ± 0.5%       | 12.5% ± 0.5%     |
| EX/A            | 20% ± 3%         | 24% ± 3%         |

## Gas Connection and Start-up for Propane Burner:

**Note:** The following steps must be performed by “Qualified Personnel” only. All permit processes and codes must be followed as administered by the local authority having jurisdiction. Provide your local propane supplier with BTUH input requirements to ensure an adequate volume of vaporized propane even in the coldest ambient conditions. These are factory settings, based on standard elevation. Adjustments must be made for high elevation.

1. If the water heater was already equipped for propane, it should have a secondary regulator installed on the outside of the cabinet as indicated. If the propane burner was purchased as an alternate, the secondary regulator will be shipped loose with the burner and must be installed now. Use only CGA/AGA approved thread sealant when making gas piping connections. The manual gas train supply valve should be closed.
2. A supply of “Propane Vapor” should be connected to the inlet of the secondary regulator at a maximum pressure of 10 PSI. Turn on the gas at the supply tank and soap test all piping joints to ensure no leaks are present. Bleed air from the supply line as far as the regulator. Allow 5 minutes for purged gas to dissipate from the area.
3. Open manual gas valve.
4. Servo motor is factory set:
  - Model 2100-DG-0900: ST1=30, ST0=0, ST2=70, N3=40, N5=10

This controls air gate and valve opening sequence & timing and should only be adjusted by knowledgeable personnel with DRYAIR Service consultation.



Figure 39 - Servo Motor

5. CSD-1 code gas trains have a low-gas pressure switch and a high-gas-pressure switch. Settings for the various models are:
  - Model 2100-DG-0900 = Low = 1.0" W.C. and High = 6.0" W.C.
6. Open the manual gas train supply valve and adjust the secondary regulator until a static reading of 11" W.C. is achieved at the gas supply pressure gauge.
7. Connect power supply to the water heater and establish flow of heat-transfer-fluid by turning on the circulating pump's toggle switch, located on the control panel. Open supply and return isolation valves.
8. Reset low-gas pressure switch. Initiate a try for ignition by turning on the water heater toggle switch located on the control panel. The burner will go through a pre-purge cycle (approximately one minute) before trying for ignition. Due to air in the gas train, you may have to re-initiate the ignition cycle multiple times, by pressing and holding the burner reset button for at least 10 seconds. Once all air is eliminated, the burner should light.

9. Set the preliminary manifold gas pressure, while the burner is firing, by adjusting the main gas train pressure regulator to achieve a reading of:
  - Model 2100-DG-0900 = 5.20" W.C.

Pressure adjustment can be monitored by observing the manifold gas pressure gauge. The pressure should hold steady.

**Note:** These pressure settings are given as a starting reference only. Current ambient temperature, wind conditions and atmospheric pressure will all have an effect on actual gas input. The only way to verify actual gas input is to meter the flow of gas to the unit while it is firing. Then gas pressure adjustments can be made to more accurately fine-tune the gas input.

10. Soap test gas connections to be certain there are no leaks present.
11. Using a good quality Flue Gas Analyzer, take flue gas sample readings at the test port in the flue pipe above the cabinet. Fine tune the readings by adjusting the burner's air shutter, to achieve acceptable efficiency and emission levels. Final readings must be taken with the burner cover in place and the combustion air duct connected.
 

**Note:** This step is essential for clean, efficient combustion.

Acceptable levels are:

| <b>2100-DG-0900</b> |                  |
|---------------------|------------------|
| <b>Propane</b>      |                  |
| FT (Flue Temp)      | 550°F to 650°F   |
| O <sub>2</sub>      | 3.3% ± 0.5%      |
| CO                  | Less than 50 ppm |
| EFF                 | Greater than 80% |
| CO <sub>2</sub>     | Less than 12.1%  |
| EX/A                | 17% ± 2%         |



## Gas Connection and Start-up for Natural Gas Burner

**Note:** This sequence must be performed by "Qualified Personnel" only. All permit processes and codes must be followed as administered by the local authority having jurisdiction. Provide your local Natural Gas Utility Company with BTUH input and pressure requirements, to ensure an adequate volume of gas at the correct pressure range. These are factory settings, based on standard elevation. Adjustments must be made for high elevation.

12. If the water heater was previously equipped for propane, it may have a secondary regulator installed on the outside of the cabinet as indicated, which **must be removed** now. Close the manual gas train supply valve.
13. Natural gas supply should be connected to the manual gas train supply valve at a pressure of approximately 12 – 14" W.C. Use only CGA/AGA approved thread sealant when making gas piping connections. Turn on the gas at the supply meter, and soap test all piping joints to ensure no leaks are present. Bleed air from the supply line as far as the manual gas train supply valve. Allow 5 minutes for purged gas to dissipate from the area.

14. Open manual gas valve.

15. Servo motor is factory set:

- Model 2100-DG-0900 ST1=20, ST0=0, ST2=70, N3=40, N5=10

This controls air gate and valve opening sequence & timing and should only be adjusted by knowledgeable personnel with DRYAIR Service consultation.



Figure 40 - Servo Motor

16. CSD-1 code gas trains have a low-gas pressure switch and a high gas-pressure switch. Settings for the various models are.
  - Model 2100-DG-0900 = Low = 1.0" W.C. and High = 6.0" W.C.
17. Open the manual gas train supply valve and adjust the metered gas supply pressure until a static reading of 13 - 14" W.C. is achieved at the gas supply pressure gauge.
18. Connect power supply to the water heater and establish flow of heat-transfer-fluid by turning on the circulating pump's toggle switch, located on the control panel. Open the supply and return isolation valves.
19. Reset low-gas pressure switch. Initiate a try for ignition by turning on the water heater toggle switch located on the control panel. The burner will go through a pre-purge cycle (approximately one minute) before trying for ignition. Due to air in the gas train, you may have to re-initiate the ignition cycle multiple times by pressing and holding the burner reset button for at least 10 seconds. Once all air is eliminated, the burner should light.



20. Soap test gas connections to be certain there are no leaks present.
21. Set the preliminary manifold gas pressure, while the burner is firing, by adjusting the main gas train pressure regulator to achieve a reading of:
- Model 2100-DG-0900 = 4.80" W.C.

Pressure adjustment can be monitored by observing the manifold gas pressure gauge. The pressure should hold steady.

**Note:** *These pressure settings are given as a starting reference only. Current ambient temperature, wind conditions and atmospheric pressure will all have an effect on actual gas input. The only way to verify actual gas input is to meter the flow of gas to the unit while it is firing. Gas pressure adjustments can then be made to more accurately fine-tune the gas input.*

22. Using a good quality Flue Gas Analyzer, take flue gas sample readings at the test port in the flue pipe above the cabinet. Fine tune the readings by adjusting the main gas train pressure regulator to achieve acceptable efficiency and emission levels. Final readings must be taken with the burner cover in place and the combustion air duct connected.

**Note:** *This step is essential for clean, efficient combustion.*

Acceptable levels are:

| <b>2100-DG-0900</b> |                    |
|---------------------|--------------------|
|                     | <b>Natural Gas</b> |
| FT (Flue Temp)      | 550°F to 650°F     |
| O <sub>2</sub>      | 3% ± 0.5%          |
| CO                  | Less than 50 ppm   |
| EFF                 | Greater than 80%   |
| CO <sub>2</sub>     | Less than 10.1%    |
| EX/A                | 17% ± 2%           |

## 6. Troubleshooting

- There are 7 troubleshooting/warning lights on the control panel. The upper 6 green troubleshooting lights indicate the status of a sequence of functions while the unit is running. The lower red warning light indicates low fluid level.
- When the burner is on, all green lights should be on. Any light that is not illuminated while the burner is on should be considered burnt out.
- The Aquastat and Burner lights will turn ON and OFF as the burner cycles.
- Troubleshoot power issues at the control panel terminal strip. Remove the control panel to expose terminal strip.
- Refer to "Appendix – Electrical Schematic" for terminal locations.



### No Power at Outgoing Side of Water Heater Toggle Switch

Check for 120V power between letter N and #1 on the terminal strip. If there is no power check the following:

- Check that the water heater circuit breaker has not been switched off.
- Check that water heater toggle switch has not been turned off.
- Check for power in and out of breaker and toggle switch.
- Check that correct power supply has been connected to the unit. Investigate the power source and be certain that the power characteristics are correct (115/230V, 30 Amp, single phase, 4-conductor, 0'-100' – 10AWG, over 100' – 8 AWG).



### No Power at Terminal #4 on Low Water Cut-off

Check for 120V power between letter N and #2 on the terminal strip. If there is no power check the following:

- Low water situation. Check fluid level in tank and add if necessary.
- Check fuse in Low Water Cut-off. Replace if required.

*\*LWCO- If LWCO is not working and the tank has fluid, call DRYAIR for further assistance.*



### No Power at Flow Switch

Check for 120V power between letter N and #4 on the terminal strip. If there is no power, then check between N and #3 on the terminal strip. If there is no power, check the following:

- Pump Not Running:
  - Check pump breaker and toggle switch on the control panel.
  - Check for 230V at pump motor. If correct power is confirmed at motor, but pump will not run, replace pump.
- Inadequate Flow:
  - Check that all valves are open in the Fluid Transfer loop. – Filter screen may be plugged. Use flush hose/valve attachment into a bucket, while pump is running, for a quick flush. Eventually the system may have to be drained and the filter screen removed and cleaned by hand. – If fluid-receiving units are closed off, check that the pressure bypass valve is open.
  - When performing "ground thaw" or "concrete cure" application, the use of only one "heat exchanger loop" may result in adequate flow. Utilizing at least two "heat exchanger loops" will provide adequate flow or a short bypass loop can also be incorporated to correct this situation.

- Air present in the circulation system. Air in the system can cause cavitation in the pump and pressure loss. Refer to “Operation, Purging Air from the System” for air purging instructions.
- Supply temperature overrun causing vaporization (steam) & pump pressure to be lost. Cavitation will occur in the “Water Heater Heat Exchanger” causing a noticeable bubbling, popping sound. Check the “Overflow Outlet” to confirm presence of fluid vapor. If vaporization is occurring, the Aquastat setting is set too high. Reset the Aquastat to a lower temperature (by 10°F increments) and allow cool-down. When the HTF cools down, the system will regain pump pressure. Allow the burner to cycle back on and observe to ensure that the vaporization situation does not reoccur. If it does reoccur, reset the Aquastat to a lower temperature until the problem is rectified.

**Note:** This situation is more likely to occur in a “Low Flow” situation (refer to Operation, Temperate Start Procedure, Control Settings).

c) Defective Flow Switch:

- If a) and b) check out good, the flow switch will need to be re-calibrated or replaced.



**No Power at Outgoing Side of High Limit Switches.**

Check for 120V power between letter N and #4 on the terminal strip. If there is no power check the following:

- a) Manual reset high limit – Check and reset if it has been tripped.
- b) Check switch settings. The automatic high limit should be set 10°F higher than the set point of the aquastat, and the manual reset high limit should be set 10°F higher than the automatic high limit switch.
- c) Determine which high limit switch is defective and replace.



### **No Power at Aquastat**

Check for 120V power between letter N and #5 on terminal strip. If there is no power check the following:

- a) Check that the setting on aquastat is at desired operating temperature.
- b) Check well sensor (electric) and verify that it is intact and positioned properly in its well.
- c) If a) and b) check out good, replace both the aquastat and sensor.

Burner light and aquastat lights work in series. If burner does not start, press reset button on burner. Check for fuel pressure during pre-purge. If no pressure, switch 3-way valve (if equipped) to purge position. May need to reset burner a couple times to purge system. Call DRYAIR for further assistance.

**FOR ADDITIONAL ASSISTANCE CALL DRYAIR TECHNICAL SUPPORT 1 (888) 750-1700**

## 7. Maintenance

The DRYAIR system is designed to be a low maintenance system. All system equipment is assembled using extensively tested and certified components. Following these maintenance procedures will ensure the maximum benefit and minimal downtime for the system. The daily maintenance schedule is designed to be a quick system check and ensures a low risk of operating interruptions. Additional supplemental information provided by component manufactures such as the hose reel and is included with each unit. Use the supplemental information for maintenance procedures and frequency as directed.

### Daily Checklist

A daily inspection of the water heater cabinet should be performed with attention paid to the following:

#### Check for Strong Odor of Fuel

- If a leak or the odor of fuel is noticed immediately turn off all power switches and the main fuel supply to the water heater cabinet.
- Ventilate the water heater cabinet.
- Find and correct the leak before turning on any power or trying to relight the water heater.

#### Check Heat Transfer Fluid “HTF” Level Everyday

- Maintain between  $\frac{1}{4}$  and  $\frac{3}{4}$  on the heat transfer level gauge when fluid is hot.
- Top up, as necessary.
- For “HTF” specifications, see “Setup, Heat Transfer Fluid, “HTF”, Fluid Specifications.
- For “HTF” handling precautions, refer to “Safety Concerns, Material Safety Data Sheet”.
- If loss of fluid is excessive check for leaks at all the fittings and connections in the water heater cabinet, as well as the fluid circulation system.

#### Check the Supply Temperature Gauge

- Verify that the supply temperature gauge is within 10°F of the aquastat setting.

### Seasonal Checklist

#### Fuel (Water Block/Particulate) Filter

- The water block/particulate filter should be changed every heating season, or as required.

## Hoses

- Periodically check all hoses for damage due to aging, elevated temperatures, over-torqued hose clamps, abrasion, and weathering.
- Replace damaged hoses as required.
- Seasonally check hose clamp torque and adjust accordingly.

## Water Heater Heat Exchanger

- Keep the flues in the water heater clean. Soot is a nonconductor of heat; a dirty water heater requires more oil to heat a structure than a clean one. Water heaters can corrode on the fireside. This results from corrosive substances in the fuel and can be difficult to control. Some fuel oils contain substances which cause fireside corrosion. Sulphur, vanadium, and sodium are among the materials that may contribute to this problem. The probability of trouble from this source depends to a large degree on the amount of Sulphur in the fuel and on the care used in cleaning the fireside heating surfaces. This is particularly true when preparing a boiler for a period of idleness. Preventing this problem also depends on keeping the boiler heating surfaces dry when a boiler is out of service.
- The person responsible for water heater maintenance should be certain that the fireside surfaces of the water heaters in his care are thoroughly cleaned at the end of the firing season. He should also observe the fireside surfaces during the firing season and if signs of corrosion are discovered, a reputable consultant should be contacted.
- The flue pipe and chimney cap should be taken off once a year and thoroughly cleaned of all soot.

**Note:** Check the gauge panel at regular intervals for any irregular gauge readings.

## Heat Exchanger Cleaning Procedure

- Remove the burner from the water heater (Figure 41).
- Remove the plate from the bottom of the water heater (1-2).
- Remove the refractory board from the water heater by reaching into the burner hole and lightly tapping the board with your hand until it drops down (1-3).
- Remove the flue collar (1-4) to expose the burner tubes (1-5).
- Remove all flue baffles (1-6).
- Clean burner tubes with a steel round brush or rag on a piece of rod (1-5).
- Vacuum all debris.

## Heat Transfer Fluid "HTF"

- A clean and properly maintained hot water system should not be drained unless there is a possibility of freezing, the boiler has accumulated a considerable

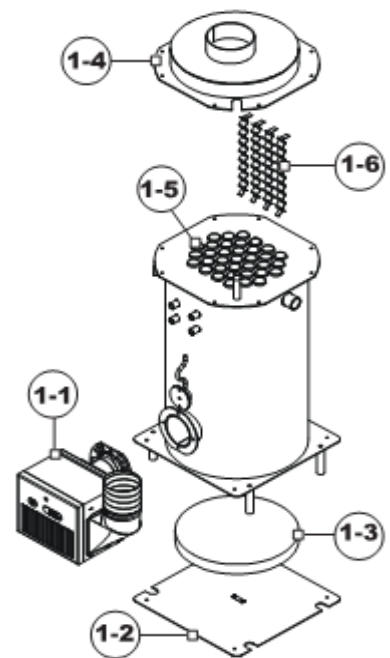


Figure 41 - Heat Exchanger Breakdown

amount of sludge or dirt on the water side, or draining is necessary to perform repairs. Very little sludge should accumulate in a water heater where little make-up water is added and where an appropriate water heater water treatment is maintained at proper strength.

- The “HTF” should be tested from year to year for freeze protection and should be strong enough for your area. The “HTF” should be checked with a refractometer. Check the glycol/water mixture chart (see “Setup, Heat Transfer Fluid) for the mixing ratios.
- The “pH level” of the “HTF” requires an annual check to see if the pH level is neutral. The pH level should be at #7. This should be checked with a pH instrument.

### **Burner**

- For burner seasonal maintenance see the “Service Manual”.



## 8. Appendix

### Important Certification & Operational Information

#### Non-Pressure Vessel

- The unit includes an open atmospherically vented expansion tank
- The expansion tank is integrally connected to the heat-exchanger section of the water heater by means of a permanently open line (no valves).
- The heat exchange section connects to the inlet side of the circulating pump and therefore, only neutral atmospheric pressure is present within the heat exchange section.

| <b>ATTENTION!</b>   |   |
|---|---|
| <p>This Unit is Certified to CSA &amp; UL Standards for use as a <b>NON-PRESSURE VESSEL</b></p> <p>-The unit includes an <b>open atmospherically vented</b> expansion tank.</p> <p>-The expansion tank is integrally connected to the heat-exchange section of the water heater by means of a permanently open line (no valves).</p> <p>-The heat exchange section connects to the inlet side of the circulating pump and therefore, only neutral atmospheric pressure is present within the heat exchange section.</p> | <p>Cet appareil est certifié aux normes de CSA et UL pour l'utilisation comme un <b>NAVIRE SANS PRESSION</b></p> <p>- L'appareil inclut un ouverte réservoir d'expansion atmosphérique ventilé.</p> <p>- Le réservoir d'expansion est relié intégralement à la section d'échange de chaleur du chauffe-eau au moyen d'une ligne ouvert en permanence (pas de vannes).</p> <p>- La section d'échange de chaleur se connecte à le côté d'entrée de la pompe de circulation et donc, seulement la pression atmosphérique neutre est présent à l'intérieur de la section d'échange de chaleur.</p> <p>003-900454R01</p> |

Figure 42 - Non-Pressure Vessel Decal

## Certification & Heater Specifications




|   |                      |   |                          |   |
|---|----------------------|---|--------------------------|---|
|  |                      | P.O. Box 126<br>400 Service Road<br>St. Brieux, SK<br>Canada<br>S0K 3V0 |                          | <br>MADE IN CANADA |
|   |                      | <b>DRYAIR Model:</b>  | <b>Reference:</b>        |   |
| <b>Serial No.:</b>  | <b>Prod. Sched.:</b> |   |                          |   |
| <b>Main Power</b>   |                      | <b>Oil Burner</b>   |                          |   |
| Volts:  |                      | Model:  | Riello 40-F20            |   |
| Phase:  | 1                    | Fuel:   | #2 Heating Oil           | #1 Heating Oil  |
| Hz:   | 60 HZ                | Calorific Value:  | 140,000 BTU / US Gal.    | 136,000 BTU / US Gal.   |
| Max. Ampacity   | 30A                  | Output:   | BTUH                     | BTUH  |
| Control Voltage   |                      | Fuel Input:   | US GPH                   |   |
| Min. Circuit Ampacity   | A                    | Pump Pressure:  | P.S.I.                   |   |
| Max. Overcurrent Protection   | A                    |   |                          |   |
|  |                      | <b>Clearances:</b>  |                          |   |
|   |                      | Sides   | 24" (61cm) minimum       |   |
|   |                      | Flue Pipe   | 36" (91cm) minimum       |   |
|   |                      | Floor   | 0" (0cm) non-combustible |   |
|   |                      | 003-903519 R01  |                          |   |

Figure 43 - Water Heater Data & Serial Plate

# Electrical Schematic

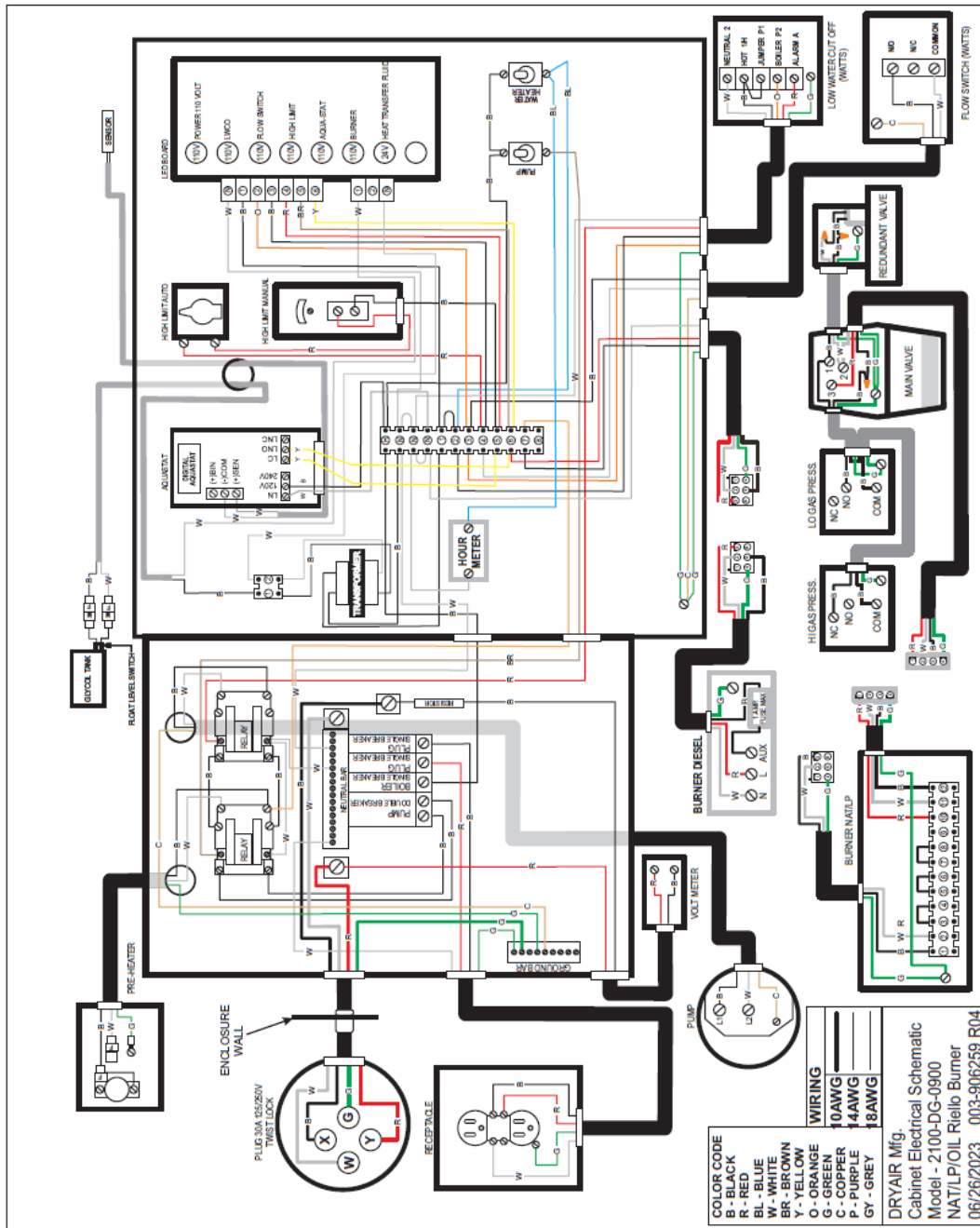
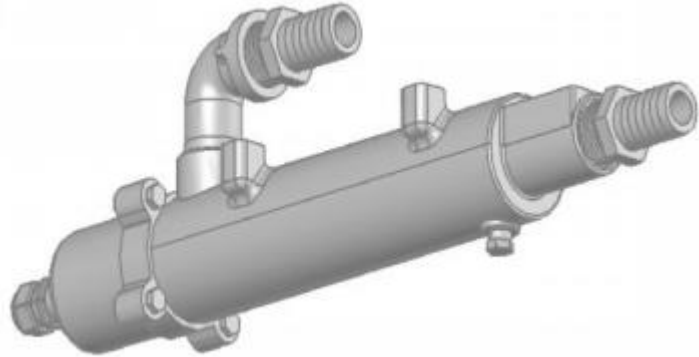


Figure 44 - 2100- Diesel Series CHU Electrical Schematic

## Heat Transfer Fluid Preheater Information

### Function

- The design intention for the HTF preheater is to ensure a smooth start in cold environments. The preheater heats the glycol in the heat exchanger which in turn sends heated glycol to DRYAIR'S air and fuel preheater to provide a controlled constant air and fuel temperature thus providing smooth start operations in cold weather.
- While using the HTF preheater it is recommended to have a supply temperature to be between 140°F and 150°F (60°C to 65°C) before turning on the pump and burner switch. The estimated time before these temperatures can be achieved will depend on the ambient temperature outside. Basically, the colder environment outside the longer it will take to achieve the recommended supply temperature.



*Figure 45 - HTF Preheater*

### Pros of Using HTF Preheater:

- Using the HTF preheater according to recommendations will ensure a smooth start in all weather conditions, thus providing a superior product to all users.
- Allows the machine to operate in even the coldest environments with fewer combustion issues.
- Less down time and reduced fuel costs as units will start and run at maximum efficiency.
- Having warm glycol reduces initial load to the glycol circulating pump at start up.
- Increase heat exchanger longevity and efficiency.
- Decreases maintenance costs due to the reduced stress on all components during cold startups.

### Cons of Not Using HTF Preheater:

- Burner may not fire, which in turn will create down time on job locations. For competitor's units that do not have a preheater option, this typically means bringing the unit off site to a heated shop to allow the unit to thaw out before it will fire. Again, it will depend on the ambient temperature inside the shop as to how long this will take but in any event, it will take much longer compared to using the preheater on the DRYAIR unit.



- If the unit does start in cold temperatures, there is potential for the heat exchanger to accumulate soot due to not having a controlled environment of air and fuel going into the burner. Sooting will stop after the unit warms up if the settings on the burner are correct. Every 1 mm of soot accumulated on the heat exchanger results in a 5% loss of efficiency compared to a clean exchanger. Running the preheater on the DRYAIR unit eliminates the need to adjust burner settings in reaction to changing weather conditions.
- Decreases heat exchanger service life.
- Increases maintenance costs due to added stress on all components during cold startups.

### **In Conclusion**

Using the preheater as instructed in the manual will allow you to operate DRYAIR units in colder climates without sacrificing efficiency or long-term reliability of the unit.

DRYAIR recommends planning ahead and starting the preheater to allow it to run while the unit is in transit to the jobsite (running on generator power) and while operators are reeling out and placing hose on the site. This will still make for productive use of the time while allowing the unit to benefit from the preheater feature.

If the operator decides they do not want to wait for the preheater to work, the DRYAIR unit will perform just like any of our competitor's units that do not have a preheater option.



## **Material Safety Data Sheets**

The Material Safety Data Sheets (MSDS) included with this manual have been provided by DRYAIR's suppliers.

## Test Certificate

### Bolt-on Lifting Frame Assembly for DRYAIR 2100-0900 System

**Certificate No.:** 661 **Project No.:** T21029P

**Manufacturer:** DRYAIR Mfg. Corp. **Test Location:** PAMI **Test Date:** July 9, 2021  
 St. Brieux, SK Humboldt, SK

**Identification of Test Object:** Lift Frame Assembly (DRYAIR Dwg No. 018-905894) for DRYAIR 2100-0900 (**Figure 1**).  
 • Corner posts (quantity of four) consisting of:  
 – HSS steel tube, 2 in x 2 in x 0.250 in wall thickness  
 – lifting bracket, 3/8 in. thick steel plate formed and with 1-3/4 in. diameter hole for clevis pin or hook; welded to end of HSS steel tube  
 • Side and end upper rails (quantity of two each) constructed from:  
 – structural steel channel, 4 in. x 1.58 in. x 0.180 in. web thickness (C4 x 5.4)  
 • Side and end upper rails bolted to corner post lifting bracket with 1/2 in. Gr. 8 fasteners (quantity of two at each end of rail)  
 • Corner posts bolted to system base mount bracket with 5/8 in. Gr. 8 fasteners (quantity of two for each corner post)

**Regulations Tested To:** Current Province of Saskatchewan “The Occupational Health and Safety Regulations, 2020” Chapter S-15.1 Reg 10 – Part 13, sections 13-5 and 13-8; Part 14, sections 14-4 and 14-5.

**Test Description:** An applied force of at least 21,000 lbf (93.4 kN), or five times the maximum 4,200 lb (1,905 kg) weight of the 2100-0900 system, will be applied simultaneously and evenly distributed to the four corner-post lifting brackets. Four individual chain slings will be used to simulate the engineered quad-leg polyester web sling that is available for lifting the 2100-0900 system.

**Tests Result Required:** The lifting frame assembly must withstand a total applied load of at least five times the maximum weight of the 2100-0900 system without failing. The maximum load applied divided by five will define the load rating of the lifting frame assembly.

| Test Equipment: | Description                                      | Date Calibrated                        | Calibration Due Date |
|-----------------|--|--|----------------------|
|                 | Load Cell – Serial No. 13479 ( <b>Figure 6</b> ) | October 9, 2017                        | October 9, 2021      |
|                 | Indicator – Serial No. 17168961                  | Verified with load cell - July 6, 2021 |                      |

**Test Results:** A maximum force of 22,152 lbf (98.5 kN) was applied to the lifting frame assembly by means of the four lifting chain slings and shackles attached to each of the corner post lifting brackets. No failure of any lifting frame components occurred during the test; however, deformation occurred in one corner of the system base near the lifting frame corner post mount bracket (**Figure 5**). This result allows the lifting frame assembly, when used on the 2100-0900 system, to have a maximum load rating of 4,430 lb (2,009 kg).

*I hereby certify these results meet or exceed the requirements of the performance regulations.  
 This certificate is based on results obtained by testing the equipment as indicated herein.  
 This Test Certificate shall not be reproduced except in full, without written approval of PAMI.*



**Certified by:** Mark Marianchuk, P.Eng.  
 Project Leader

**Date:** August 18, 2021



### Test Procedure

1. A sample system base frame of the 2100-0900 assembly with the lifting frame installed (**Figure 1**) was placed on a rigid test bed and secured with steel beams and chains to allow the application of a vertical force perpendicular to the mounting surface.
2. The 2100-0900 product is intended to be lifted from a single point using an engineered quad-leg polyester web sling with 7-ft legs (**Figure 2**). To ensure the maximum force could be applied to the lifting frame assembly for the purpose of the test, the quad-leg sling was substituted with four individual chain slings load rated in excess of the maximum force to be applied (**Figure 3**).
3. A forklift with a fabricated lifting attachment secured to the forks was used to apply the load.
4. The applied force was measured using a load cell installed between the lifting attachment and a shackle that the four individual chain slings were attached to.
5. An indicator connected to the load cell provided an instantaneous readout of applied load (**Figure 4**).
6. The force application was video recorded.
7. The applied force was gradually increased from zero to approximately 21,000 lbr. This target force was based on applying at least five times the maximum weight of the fully assembled 2100-1200 product, indicated by the Client to be approximately 4,200lb.
8. Once the target force was reached and exceeded, the applied force was held for at least ten seconds and then removed. The peak force applied was retrieved from the indicator (**Figure 4**) and used to calculate a load rating for the lifting frame as follows (imperial units):

Peak force applied = 22,152 lbr

Allowable maximum rating for the lifting frame assembly system using a five-times design factor, or working load limit, = 22,152 lb ÷ 5 = 4,430 lb

This is the maximum allowable total weight of the final 2100-0900 assembly that can be lifted with the lifting frame, as tested, installed. The Client indicated the maximum weight of the complete product would be approximately 4,200 lb. Therefore, the 4,430 lb rating is adequate.

**PAMI recommends the above rating be conspicuously marked on the lifting frame, along with any other additional information required in accordance with OH & S regulations for jurisdictions where the lifting frame may be used.**



**Figure 1.** 2100-0900 system base frame and installed lifting frame assembly secured to test bed.



**Figure 2.** Polyester web sling intended to be used to lift the 2100-0900 at four corner post lifting bracket locations.



**Figure 3.** Test set-up for application of force to test bed.



**Figure 4.** Peak force applied during the lifting frame test.



**Figure 5.** Deformation of the system base near the lifting frame corner post mount bracket.





# SAFETY DATA SHEET

Issuing Date 03-Jun-2019

Revision date 03-Jun-2019

Revision Number 1

## 1. Identification

### Product identifier

Product Name BOSS Chill Propylene Glycol

### Other means of identification

Product Code(s) GHSRBS-041

UN/ID no. UN 3082

Synonyms None

### Recommended use of the chemical and restrictions on use

Recommended use Heat transfer medium

Restrictions on use No information available

### Details of the supplier of the safety data sheet

#### Initial supplier identifier

BOSS Lubricants

#### Manufacturer Address

6303 30 ST SE Calgary, AB T2C 1R4

### Emergency telephone number

Initial supplier phone number (800) 844-9457  
Emergency Telephone Chemtrec 1-800-424-9300

## 2. Hazard(s) identification

### Classification

Not a hazardous substance or mixture according to the Globally Harmonized System (GHS) and Canada's Hazardous Products Regulations

### Label elements

#### Hazard statements

Not a hazardous substance or mixture according to the Globally Harmonized System (GHS) and Canada's Hazardous Products Regulations.



**Precautionary Statements - Disposal**

Dispose of contents/container in accordance with local, regional, national, and international regulations as applicable

**Other information****3. Composition/information on ingredients****Substance**

| Chemical name         | CAS No.     | Weight-% | Hazardous Material Information Review Act registry number (HMIRA registry #) | Date HMIRA filed and date exemption granted (if applicable) |
|-----------------------|-------------|----------|--|---|
| Water                 | 7732-18-5   | 0.1 - 1  | -  |   |
| Propylene glycol      | 57-55-6     | 80 - 100 | -  |   |
| PROPRIETARY ADDITIVES | PROPRIETARY | 1 - 5    | -  |   |

If CAS number is "proprietary", the specific chemical identity and percentage of composition has been withheld as a trade secret.

**4. First-aid measures****Description of first aid measures**

|                     |   |
|---------------------|---|
| <b>Inhalation</b>   | Remove to fresh air. If not breathing, give artificial respiration. IF exposed or concerned: Get medical advice/attention.  |
| <b>Eye contact</b>  | IF IN EYES: Rinse cautiously with water for several minutes. Remove contact lenses, if present and easy to do. Continue rinsing. Get medical attention if irritation develops and persists.                         |
| <b>Skin contact</b> | Wash off immediately with soap and plenty of water while removing all contaminated clothes and shoes. Get medical attention if symptoms occur.  |
| <b>Ingestion</b>    | Do NOT induce vomiting. Call a physician or poison control center immediately. If vomiting occurs spontaneously, keep head below hips to prevent aspiration. Never give anything by mouth to an unconscious person. |

**Most important symptoms and effects, both acute and delayed**

|                 |   |
|-----------------|---|
| <b>Symptoms</b> | Prolonged contact may cause redness and irritation. |
|-----------------|---|

**Indication of any immediate medical attention and special treatment needed**

|                           |                        |
|---------------------------|------------------------|
| <b>Note to physicians</b> | Treat symptomatically. |
|---------------------------|------------------------|

**5. Fire-fighting measures**



|   |   |
|---|---|
| <b>Suitable Extinguishing Media</b>                   | Carbon dioxide (CO <sub>2</sub> ). Foam. Dry chemical. Water spray or fog. Alcohol resistant foam.  |
| <b>Unsuitable extinguishing media</b>                 | Do not scatter spilled material with high pressure water streams.   |
| <b>Specific hazards arising from the chemical</b>     | Use water spray to cool fire-exposed containers and structures. Isolate and restrict area access. Violent steam generation or eruption may occur upon application of direct water stream to hot liquids. Container may rupture from gas generation in a fire situation. Fight fire from a safe distance and from a protected location. Do not direct a solid stream of water or foam into hot, burning pools; this may cause frothing and increase fire intensity. Consider use of unmanned hose holder or monitor nozzles. |
| <b>Explosion data</b>                                 |   |
| <b>Sensitivity to mechanical impact</b>               | None.   |
| <b>Sensitivity to static discharge</b>                | None.   |
| <b>Special protective equipment for fire-fighters</b> | Firefighters should wear self-contained breathing apparatus and full firefighting turnout gear. Use personal protection equipment.  |

## 6. Accidental release measures

### Personal precautions, protective equipment and emergency procedures

**Personal precautions** Use personal protective equipment as required. See section 8 for more information. Ensure adequate ventilation.

### Methods and material for containment and cleaning up

**Methods for containment** Stop leak if you can do it without risk. Keep out of drains, sewers, ditches and waterways. Ventilate the area. Avoid breathing vapors or mists.

**Methods for cleaning up** Cover liquid spill with sand, earth or other noncombustible absorbent material. Prevent product from entering drains.

## 7. Handling and storage

### Precautions for safe handling

**Advice on safe handling** Avoid breathing dust/fume/gas/mist/vapors/spray. Avoid contact with skin, eyes or clothing. Use only with adequate ventilation. Handle in accordance with good industrial hygiene and safety practice. Do not eat, drink or smoke when using this product. Do not ingest. If swallowed then seek immediate medical assistance. For industrial use only.

### Conditions for safe storage, including any incompatibilities

**Storage Conditions** Keep container tightly closed in a dry and well-ventilated place. Keep away from heat, sparks, flame and other sources of ignition (i.e., pilot lights, electric motors and static electricity). Do not contaminate food or feed stuffs. Store only in containers resistant to alkaline solutions with a pH of 9.0 to 12.0.

## 8. Exposure controls/personal protection

### Control parameters

**Exposure Limits** This product, as supplied, does not contain any hazardous materials with occupational exposure limits established by the region specific regulatory bodies.

### Appropriate engineering controls

**Engineering controls** Ensure adequate ventilation, especially in confined areas.

### Individual protection measures, such as personal protective equipment

**Eye/face protection** Wear safety glasses with side shields (or goggles). If splashes are likely to occur, wear safety glasses with side-shields. Avoid contact with eyes.

**Hand protection** Wear suitable gloves.

**Skin and body protection** Wear suitable protective clothing.

**Respiratory protection** No protective equipment is needed under normal use conditions. If exposure limits are exceeded or irritation is experienced, ventilation and evacuation may be required.

**General hygiene considerations** Handle in accordance with good industrial hygiene and safety practice.

## 9. Physical and chemical properties

### Information on basic physical and chemical properties

**Physical state** Liquid  
**Appearance** No information available  
**Color** purple  
**Odor** Odorless  
**Odor threshold** No information available

| <u>Property</u>                        | <u>Values</u>      | <u>Remarks • Method</u> |
|--|--------------------|-------------------------|
| pH                                     | 9.0– 10.5          |                         |
| Melting point / freezing point         | No data available  | None known              |
| Boiling point / boiling range          | 188 °C / 317 °F    | ASTM D7213              |
| Flash point                            | 116 °C / 240 °F    | ASTM D93                |
| Evaporation rate                       | No data available  | None known              |
| Flammability (solid, gas)              | No data available  | None known              |
| Flammability Limit in Air              |                    | None known              |
| Upper flammability or explosive limits | No data available  |                         |
| Lower flammability or explosive limits | No data available  |                         |
| Vapor pressure                         | No data available  | None known              |
| Vapor density                          | No data available  | None known              |
| Relative density                       | No data available  | None known              |
| Water solubility                       | completely soluble |                         |
| Solubility in other solvents           | No data available  | None known              |

|                           |                   |            |
|---------------------------|-------------------|------------|
| Partition coefficient     | No data available | None known |
| Autoignition temperature  | No data available | None known |
| Decomposition temperature | No data available | None known |
| Kinematic viscosity       | No data available | None known |
| Dynamic viscosity         | No data available | None known |

**Other information**

|                      |                           |
|----------------------|---------------------------|
| Explosive properties | No information available. |
| Oxidizing properties | No information available. |
| Softening point      | No information available  |
| Molecular weight     | No information available  |
| VOC Content (%)      | No information available  |
| Liquid Density       | No information available  |
| Bulk density         | No information available  |

**10. Stability and reactivity**

|                                    |   |
|------------------------------------|---|
| Reactivity                         | No information available.   |
| Chemical stability                 | Stable under normal conditions.   |
| Possibility of hazardous reactions | None under normal processing.   |
| Conditions to avoid                | Heat, flames and sparks.  |
| Incompatible materials             | Strong oxidizing agents. Strong acids.  |
| Hazardous decomposition products   | Thermal decomposition can lead to release of irritating and toxic gases and vapors. |

**11. Toxicological information****Information on likely routes of exposure****Product Information**

|              |   |
|--------------|---|
| Inhalation   | No known effects under normal use conditions.   |
| Eye contact  | Irritating to eyes.   |
| Skin contact | Avoid contact with skin and clothing.   |
| Ingestion    | Harmful if swallowed. Ingestion of larger amounts may cause defects to the central nervous system (e.g. dizziness, headache). Ingestion may cause gastrointestinal irritation, nausea, vomiting and diarrhea. May cause adverse kidney effects. |

**Symptoms related to the physical, chemical and toxicological characteristics**

|          |                           |
|----------|---------------------------|
| Symptoms | No information available. |
|----------|---------------------------|

**Acute toxicity**

**Numerical measures of toxicity**  
No information available



**Unknown acute toxicity** No information available  
Product Information

| Chemical name               | Oral LD50         | Dermal LD50              | Inhalation LC50 |
|-----------------------------|-------------------|--------------------------|-----------------|
| Propylene glycol<br>57-55-6 | = 20 g/kg ( Rat ) | = 20800 mg/kg ( Rabbit ) | Not available   |

#### **Delayed and immediate effects as well as chronic effects from short and long-term exposure**

**Skin corrosion/irritation** Based on available data, the classification criteria are not met.

**Serious eye damage/eye irritation** Based on available data, the classification criteria are not met.

**Respiratory or skin sensitization** Based on available data, the classification criteria are not met.

**Germ cell mutagenicity** Based on available data, the classification criteria are not met.

**Carcinogenicity** Based on available data, the classification criteria are not met.

**Reproductive toxicity** Based on available data, the classification criteria are not met.

**STOT - single exposure** Based on available data, the classification criteria are not met.

**STOT - repeated exposure** Based on available data, the classification criteria are not met.

**Aspiration hazard** No information available.

## **12. Ecological information**

**Ecotoxicity** Harmful to aquatic life.

**Persistence and degradability** No information available.

**Bioaccumulation** No information available.

**Other adverse effects** No information available.

## **13. Disposal considerations**

### **Waste treatment methods**

**Waste from residues/unused products** Dispose of waste in accordance with environmental legislation.

**Contaminated packaging** Do not reuse empty containers.

## 14. Transport information

|                         |  |
|-------------------------|--|
| <u>Transport Canada</u> | Not regulated  |
| <u>TDG</u>              | Not regulated  |
| <u>DOT</u>              | Not regulated unless shipping container holds at least 5,000 pounds. |
| UN/ID no.               | UN 3082  |
| Hazard class            | 9  |
| Packing group           | III  |
| <u>MEX</u>              | Not regulated  |
| <u>ICAO (air)</u>       | no data available  |
| <u>IATA</u>             | no data available  |
| <u>IMDG</u>             | no data available  |
| <u>RID</u>              | no data available  |
| <u>ADR</u>              | no data available  |
| <u>ADN</u>              | no data available  |

## 15. Regulatory information

### Safety, health and environmental regulations/legislation specific for the substance or mixture

#### International Regulations

The Montreal Protocol on Substances that Deplete the Ozone Layer Not applicable

The Stockholm Convention on Persistent Organic Pollutants Not applicable

The Rotterdam Convention Not applicable

#### International Inventories

|               |   |
|---------------|---|
| TSCA          | Complies.   |
| DSL/NDSL      | Complies.   |
| EINECS/ELINCS | Contact supplier for inventory compliance status. |
| ENCS          | Contact supplier for inventory compliance status. |
| IECSC         | Contact supplier for inventory compliance status. |
| KECL          | Contact supplier for inventory compliance status. |
| PICCS         | Contact supplier for inventory compliance status. |
| AICS          | Contact supplier for inventory compliance status. |

#### Legend:

**TSCA** - United States Toxic Substances Control Act Section 8(b) Inventory

**DSL/NDSL** - Canadian Domestic Substances List/Non-Domestic Substances List

**EINECS/ELINCS** - European Inventory of Existing Chemical Substances/European List of Notified Chemical Substances

**ENCS** - Japan Existing and New Chemical Substances

**IECSC** - China Inventory of Existing Chemical Substances

**KECL** - Korean Existing and Evaluated Chemical Substances

**PICCS** - Philippines Inventory of Chemicals and Chemical Substances

AICS - Australian Inventory of Chemical Substances

**16. Other information**

|             |                  |                |                    |                                    |
|-------------|------------------|----------------|--------------------|------------------------------------|
| <b>NFPA</b> | Health hazards 2 | Flammability 1 | Instability 0      | Physical and chemical properties - |
| <b>HMIS</b> | Health hazards 2 | Flammability 1 | Physical hazards 0 | Personal protection X              |

**Key or legend to abbreviations and acronyms used in the safety data sheet****Legend Section 8: EXPOSURE CONTROLS/PERSONAL PROTECTION**

|         |                             |      |                                  |
|---------|-----------------------------|------|----------------------------------|
| TWA     | TWA (time-weighted average) | STEL | STEL (Short Term Exposure Limit) |
| Ceiling | Maximum limit value         | *    | Skin designation                 |

**Key literature references and sources for data used to compile the SDS**

Agency for Toxic Substances and Disease Registry (ATSDR)  
 U.S. Environmental Protection Agency ChemView Database  
 European Food Safety Authority (EFSA)  
 EPA (Environmental Protection Agency)  
 Acute Exposure Guideline Level(s) (AEGl(s))  
 U.S. Environmental Protection Agency Federal Insecticide, Fungicide, and Rodenticide Act  
 U.S. Environmental Protection Agency High Production Volume Chemicals  
 Food Research Journal  
 Hazardous Substance Database  
 International Uniform Chemical Information Database (IUCLID)  
 Japan GHS Classification  
 Australia National Industrial Chemicals Notification and Assessment Scheme (NICNAS)  
 NIOSH (National Institute for Occupational Safety and Health)  
 National Library of Medicine's ChemID Plus (NLM CIP)  
 National Library of Medicine's PubMed database (NLM PUBMED)  
 National Toxicology Program (NTP)  
 New Zealand's Chemical Classification and Information Database (CCID)  
 Organization for Economic Co-operation and Development Environment, Health, and Safety Publications  
 Organization for Economic Co-operation and Development High Production Volume Chemicals Program  
 Organization for Economic Co-operation and Development Screening Information Data Set  
 RTECS (Registry of Toxic Effects of Chemical Substances)  
 World Health Organization

**Issuing Date** 03-Jun-2019

**Revision date** 04-Jun-2019

**Revision Note** No information available.

**Disclaimer**

The information provided in this Safety Data Sheet is correct to the best of our knowledge, information and belief at the date of its publication. The information given is designed only as a guidance for safe handling, use, processing, storage, transportation, disposal and release and is not to be considered a warranty or quality specification. The information relates only to the specific material designated and may not be valid for such material used in combination with any other materials or in any process, unless specified in the text.

**End of Safety Data Sheet**

**Data for Regulatory Rules**

| Region | Template name | Revision Note |
|--------|---------------|---------------|
| Canada | HGHS          | 2.0           |

### GHS Product Information

|                                  |           |
|----------------------------------|-----------|
| pH                               | 9.0– 10.5 |
| Physical state                   | Liquid    |
| Flash point °C                   | 116       |
| Boiling point / boiling range °C | 188       |

### Component Information

### Canada

#### GHS Classification

Not Hazardous

Not a hazardous substance or mixture according to the Globally Harmonized System (GHS) and Canada's Hazardous Products Regulations

Precautionary Statements - Disposal

Dispose of contents/container in accordance with local, regional, national, and international regulations as applicable



# SAFETY DATA SHEET

## DOW CHEMICAL CANADA ULC

**Product name:** DOWFROST™ Heat Transfer Fluid

**Issue Date:** 12/16/2019

**Print Date:** 12/17/2019

DOW CHEMICAL CANADA ULC encourages and expects you to read and understand the entire (M)SDS, as there is important information throughout the document. We expect you to follow the precautions identified in this document unless your use conditions would necessitate other appropriate methods or actions.

---

## 1. IDENTIFICATION

---

**Product name:** DOWFROST™ Heat Transfer Fluid

### **Recommended use of the chemical and restrictions on use**

**Identified uses:** Intended as a heat transfer fluid for closed-loop systems. This product is acceptable for use where there is possibility of incidental food contact and as a product for use in the immersion or spray freezing of wrapped meat and packaged poultry products. We recommend that you use this product in a manner consistent with the listed use. If your intended use is not consistent with the stated use, please contact your sales or technical service representative.

### **COMPANY IDENTIFICATION**

DOW CHEMICAL CANADA ULC  
#2400, 215 - 2ND STREET S.W.  
CALGARY AB T2P 1M4  
CANADA

**Customer Information Number:**

800-258-2436  
SDSQuestion@dow.com

### **EMERGENCY TELEPHONE NUMBER**

**24-Hour Emergency Contact (transportation emergencies only):** 1-800-424-9300

**Local Emergency Contact (transportation emergencies only):** 1-800-424-9300

**24-Hour Emergency Contact:** 1-989-636-4400

---

## 2. HAZARDS IDENTIFICATION

---

### **Hazard classification**

This product is not hazardous under the criteria of the Hazardous Products Regulation (HPR) as implemented under the Workplace Hazardous Materials Information System (WHMIS 2015).

### **Other hazards**

No data available

---

## 3. COMPOSITION/INFORMATION ON INGREDIENTS

---

This product is a mixture.

| Component                     | CASRN         | Concentration (w/w) |
|-------------------------------|---------------|---------------------|
| Propylene glycol              | 57-55-6       | > 95.0 %            |
| Inorganic corrosion inhibitor | not hazardous | < 3.0 %             |
| Water                         | 7732-18-5     | < 3.0 %             |

---

#### 4. FIRST AID MEASURES

---

##### Description of first aid measures

##### General advice:

If potential for exposure exists refer to Section 8 for specific personal protective equipment.

**Inhalation:** Move person to fresh air; if effects occur, consult a physician.

**Skin contact:** Wash off with plenty of water.

**Eye contact:** Flush eyes thoroughly with water for several minutes. Remove contact lenses after the initial 1-2 minutes and continue flushing for several additional minutes. If effects occur, consult a physician, preferably an ophthalmologist.

**Ingestion:** Rinse mouth with water. No emergency medical treatment necessary.

##### Most important symptoms and effects, both acute and delayed:

Aside from the information found under Description of first aid measures (above) and Indication of immediate medical attention and special treatment needed (below), any additional important symptoms and effects are described in Section 11: Toxicology Information.

##### Indication of any immediate medical attention and special treatment needed

**Notes to physician:** No specific antidote. Treatment of exposure should be directed at the control of symptoms and the clinical condition of the patient.

---

#### 5. FIREFIGHTING MEASURES

---

##### Extinguishing media

**Suitable extinguishing media:** Water fog or fine spray.. Dry chemical fire extinguishers.. Carbon dioxide fire extinguishers.. Foam.. Alcohol resistant foams (ATC type) are preferred. General purpose synthetic foams (including AFFF) or protein foams may function, but will be less effective..

**Unsuitable extinguishing media:** Do not use direct water stream.. May spread fire..

**Special hazards arising from the substance or mixture**

**Hazardous combustion products:** During a fire, smoke may contain the original material in addition to combustion products of varying composition which may be toxic and/or irritating.. Combustion products may include and are not limited to:.. Carbon monoxide.. Carbon dioxide..

**Unusual Fire and Explosion Hazards:** Container may rupture from gas generation in a fire situation.. Violent steam generation or eruption may occur upon application of direct water stream to hot liquids..

**Advice for firefighters**

**Fire Fighting Procedures:** Keep people away. Isolate fire and deny unnecessary entry.. Use water spray to cool fire exposed containers and fire affected zone until fire is out and danger of reignition has passed.. Fight fire from protected location or safe distance. Consider the use of unmanned hose holders or monitor nozzles.. Immediately withdraw all personnel from the area in case of rising sound from venting safety device or discoloration of the container.. Burning liquids may be extinguished by dilution with water.. Do not use direct water stream. May spread fire.. Move container from fire area if this is possible without hazard.. Burning liquids may be moved by flushing with water to protect personnel and minimize property damage..

**Special protective equipment for firefighters:** Wear positive-pressure self-contained breathing apparatus (SCBA) and protective fire fighting clothing (includes fire fighting helmet, coat, trousers, boots, and gloves).. If protective equipment is not available or not used, fight fire from a protected location or safe distance..

---

**6. ACCIDENTAL RELEASE MEASURES**

---

**Personal precautions, protective equipment and emergency procedures:** Use appropriate safety equipment. For additional information, refer to Section 8, Exposure Controls and Personal Protection.

**Environmental precautions:** Prevent from entering into soil, ditches, sewers, waterways and/or groundwater. See Section 12, Ecological Information.

**Methods and materials for containment and cleaning up:** Small spills: Absorb with materials such as: Cat litter. Sawdust. Vermiculite. Zorb-all®. Collect in suitable and properly labeled containers. Large spills: Dike area to contain spill. Recover spilled material if possible. See Section 13, Disposal Considerations, for additional information.

---

**7. HANDLING AND STORAGE**

---

**Precautions for safe handling:** No special precautions required. Keep container closed. See Section 8, EXPOSURE CONTROLS AND PERSONAL PROTECTION. Spills of these organic materials on hot fibrous insulations may lead to lowering of the autoignition temperatures possibly resulting in spontaneous combustion.

**Conditions for safe storage:** Do not store in: Galvanized steel. Opened or unlabeled containers. Store in original unopened container. See Section 10 for more specific information. Additional storage



and handling information on this product may be obtained by calling your sales or customer service contact.

### Storage stability

**Shelf life:** Use within 60 Month

## 8. EXPOSURE CONTROLS/PERSONAL PROTECTION

### Control parameters

If exposure limits exist, they are listed below. If no exposure limits are displayed, then no values are applicable.

Consult local authorities for recommended exposure limits.

| Component        | Regulation   | Type of listing         | Value            |
|------------------|--|-------------------------|------------------|
| Propylene glycol | US WEEL  | TWA                     | 10 mg/m3         |
|                  | CA ON OEL  | TWAEV Total             | 155 mg/m3 50 ppm |
|                  | CA ON OEL  | TWAEV                   | 10 mg/m3         |
|                  | Further information: C: For assessing the visibility in a work environment where 1,2-propylene glycol aerosol is present.  |                         |                  |
|                  | CA ON OEL  | TWA                     | 155 mg/m3 50 ppm |
|                  | CA ON OEL  | TWA                     | 10 mg/m3         |
|                  | Further information: (c): For assessing the visibility in a work environment where 1,2-propylene glycol aerosol is present |                         |                  |
|                  | CA ON OEL  | TWA Vapour and aerosols | 155 mg/m3 50 ppm |
|                  | CA ON OEL  | TWA aerosol             | 10 mg/m3         |
|                  | Further information: (c): For assessing the visibility in a work environment where 1,2-propylene glycol aerosol is present |                         |                  |

### Exposure controls

**Engineering controls:** Use local exhaust ventilation, or other engineering controls to maintain airborne levels below exposure limit requirements or guidelines. If there are no applicable exposure limit requirements or guidelines, general ventilation should be sufficient for most operations. Local exhaust ventilation may be necessary for some operations.

### Individual protection measures

**Eye/face protection:** Use safety glasses (with side shields).

#### Skin protection

**Hand protection:** Use gloves chemically resistant to this material when prolonged or frequently repeated contact could occur. Examples of preferred glove barrier materials include: Butyl rubber. Natural rubber ("latex"). Neoprene. Nitrile/butadiene rubber ("nitrile" or "NBR"). Polyethylene. Ethyl vinyl alcohol laminate ("EVAL"). Polyvinyl chloride ("PVC" or "vinyl"). Avoid gloves made of: Polyvinyl alcohol ("PVA"). NOTICE: The selection of a specific glove for a particular application and duration of use in a workplace should also take into account all relevant workplace factors such as, but not limited to: Other chemicals which may be handled, physical requirements (cut/puncture protection, dexterity, thermal protection), potential body reactions to glove materials, as well as the instructions/specifications provided by the glove supplier.

**Other protection:** Wear clean, body-covering clothing.

**Respiratory protection:** Respiratory protection should be worn when there is a potential to exceed the exposure limit requirements or guidelines. If there are no applicable exposure limit

requirements or guidelines, wear respiratory protection when adverse effects, such as respiratory irritation or discomfort have been experienced, or where indicated by your risk assessment process. In misty atmospheres, use an approved particulate respirator. The following should be effective types of air-purifying respirators: Organic vapor cartridge with a particulate pre-filter.

---

## 9. PHYSICAL AND CHEMICAL PROPERTIES

---

### Appearance

|  |  |
|--|--|
| Physical state                         | Liquid.  |
| Color                                  | Colorless  |
| Odor                                   | Characteristic   |
| Odor Threshold                         | No test data available   |
| pH                                     | 10.0 50% <i>Literature</i>   |
| Melting point/range                    | Not applicable to liquids  |
| Freezing point                         | supercools   |
| Boiling point (760 mmHg)               | 152 °C <i>Literature</i>   |
| Flash point                            | <b>closed cup</b> 104 °C <i>Pensky-Martens Closed Cup ASTM D 93</i> (based on major component), Propylene glycol.<br><b>open cup</b> <i>Cleveland Open Cup ASTM D92</i> None |
| Evaporation Rate (Butyl Acetate = 1)   | <0.5 <i>Estimated.</i>   |
| Flammability (solid, gas)              | Not applicable to liquids  |
| Flammability (liquids)                 | Not expected to be a static-accumulating flammable liquid.   |
| Lower explosion limit                  | 2.6 % vol <i>Literature</i> Propylene glycol.  |
| Upper explosion limit                  | 12.5 % vol <i>Literature</i> Propylene glycol.   |
| Vapor Pressure                         | 2.2 mmHg <i>Literature</i>   |
| Relative Vapor Density (air = 1)       | >1.0 <i>Literature</i>   |
| Relative Density (water = 1)           | 1.05 at 20 °C / 20 °C <i>Literature</i>  |
| Water solubility                       | <i>Literature</i> completely soluble   |
| Partition coefficient: n-octanol/water | No data available  |
| Auto-ignition temperature              | 371 °C <i>Literature</i> Propylene glycol.   |
| Decomposition temperature              | No test data available   |
| Kinematic Viscosity                    | 43.4 cSt at 20 °C <i>Literature</i>  |
| Explosive properties                   | No data available  |
| Oxidizing properties                   | No data available  |
| Molecular weight                       | 76.9 g/mol <i>Literature</i>   |

NOTE: The physical data presented above are typical values and should not be construed as a specification.

---

## 10. STABILITY AND REACTIVITY

---

**Reactivity:** No data available

**Chemical stability:** Stable under recommended storage conditions. See Storage, Section 7.  
Hygroscopic

**Possibility of hazardous reactions:** Polymerization will not occur.

**Conditions to avoid:** Exposure to elevated temperatures can cause product to decompose. Generation of gas during decomposition can cause pressure in closed systems. Avoid direct sunlight or ultraviolet sources.

**Incompatible materials:** Avoid contact with: Strong acids. Strong bases. Strong oxidizers.

**Hazardous decomposition products:** Decomposition products depend upon temperature, air supply and the presence of other materials.. Decomposition products can include and are not limited to: Aldehydes.. Alcohols.. Ethers.. Organic acids..

---

## 11. TOXICOLOGICAL INFORMATION

---

*Toxicological information appears in this section when such data is available.*

### Information on likely routes of exposure

Ingestion, Inhalation, Skin contact, Eye contact.

**Acute toxicity (represents short term exposures with immediate effects - no chronic/delayed effects known unless otherwise noted)**

#### Acute oral toxicity

Very low toxicity if swallowed. Harmful effects not anticipated from swallowing small amounts.

For the major component(s): Propylene glycol.  
LD50, Rat, > 20,000 mg/kg

#### Information for components:

##### Propylene glycol

LD50, Rat, > 20,000 mg/kg

##### Inorganic corrosion inhibitor

LD50, Rat, female, > 2,000 mg/kg No deaths occurred at this concentration.

#### Acute dermal toxicity

Prolonged skin contact is unlikely to result in absorption of harmful amounts.

For the major component(s): Propylene glycol.  
LD50, Rabbit, > 20,000 mg/kg

#### Information for components:

**Propylene glycol**

LD50, Rabbit, > 2,000 mg/kg No deaths occurred at this concentration.

**Inorganic corrosion inhibitor**

LD50, Rabbit, > 5,000 mg/kg

**Acute inhalation toxicity**

At room temperature, exposure to vapor is minimal due to low volatility. Mist may cause irritation of upper respiratory tract (nose and throat).

For the major component(s):

LC50, Rat, 4 Hour, vapour, 6.15 mg/l No deaths occurred following exposure to a saturated atmosphere.

**Information for components:**

**Propylene glycol**

LC50, Rabbit, 2 Hour, dust/mist, 317.042 mg/l No deaths occurred at this concentration.

**Inorganic corrosion inhibitor**

Based on information for a similar material: Maximum attainable concentration. LC50, Rat, male and female, 4 Hour, dust/mist, > 0.83 mg/l No deaths occurred at this concentration.

**Skin corrosion/irritation**

Based on information for component(s):

Prolonged contact is essentially nonirritating to skin.

Repeated contact may cause flaking and softening of skin.

**Information for components:**

**Propylene glycol**

Prolonged contact is essentially nonirritating to skin.

Repeated contact may cause flaking and softening of skin.

**Inorganic corrosion inhibitor**

Prolonged contact may cause slight skin irritation with local redness.

**Serious eye damage/eye irritation**

Based on information for component(s):

May cause slight temporary eye irritation.

Corneal injury is unlikely.

**Information for components:**

**Propylene glycol**

May cause slight temporary eye irritation.

Corneal injury is unlikely.

Mist may cause eye irritation.

**Inorganic corrosion inhibitor**

May cause slight eye irritation.

May cause slight temporary corneal injury.

Dust may irritate eyes.  
Mist may cause eye irritation.

**Sensitization**

For the major component(s):  
Did not cause allergic skin reactions when tested in humans.

For respiratory sensitization:  
No relevant data found.

**Information for components:**

**Propylene glycol**

Did not cause allergic skin reactions when tested in humans.

For respiratory sensitization:  
No relevant data found.

**Inorganic corrosion inhibitor**

For similar material(s):  
Did not demonstrate the potential for contact allergy in mice.

For respiratory sensitization:  
No relevant data found.

**Specific Target Organ Systemic Toxicity (Single Exposure)**

Evaluation of available data suggests that this material is not an STOT-SE toxicant.

**Information for components:**

**Propylene glycol**

Evaluation of available data suggests that this material is not an STOT-SE toxicant.

**Aspiration Hazard**

Based on physical properties, not likely to be an aspiration hazard.

**Information for components:**

**Propylene glycol**

Based on physical properties, not likely to be an aspiration hazard.

**Chronic toxicity (represents longer term exposures with repeated dose resulting in chronic/delayed effects - no immediate effects known unless otherwise noted)**

**Specific Target Organ Systemic Toxicity (Repeated Exposure)**

In rare cases, repeated excessive exposure to propylene glycol may cause central nervous system effects.

**Information for components:**

**Propylene glycol**

In rare cases, repeated excessive exposure to propylene glycol may cause central nervous system effects.

**Inorganic corrosion inhibitor**

Based on available data, repeated exposures are not anticipated to cause significant adverse effects.

**Carcinogenicity**

Similar formulations did not cause cancer in laboratory animals.

**Information for components:**

**Propylene glycol**

Did not cause cancer in laboratory animals.

**Inorganic corrosion inhibitor**

No relevant data found.

**Teratogenicity**

For the major component(s): Did not cause birth defects or any other fetal effects in laboratory animals.

**Information for components:**

**Propylene glycol**

Did not cause birth defects or any other fetal effects in laboratory animals.

**Inorganic corrosion inhibitor**

For similar material(s): Did not cause birth defects or any other fetal effects in laboratory animals.

**Reproductive toxicity**

For the major component(s): In animal studies, did not interfere with reproduction. In animal studies, did not interfere with fertility.

**Information for components:**

**Propylene glycol**

In animal studies, did not interfere with reproduction. In animal studies, did not interfere with fertility.

**Inorganic corrosion inhibitor**

For similar material(s): In animal studies, did not interfere with reproduction.

**Mutagenicity**

In vitro genetic toxicity studies were negative. For the major component(s): Animal genetic toxicity studies were negative.

**Information for components:**

**Propylene glycol**

In vitro genetic toxicity studies were negative. Animal genetic toxicity studies were negative.

**Inorganic corrosion inhibitor**

In vitro genetic toxicity studies were negative.

---

## 12. ECOLOGICAL INFORMATION

---

*Ecotoxicological information appears in this section when such data is available.*

### Toxicity

#### Propylene glycol

##### **Acute toxicity to fish**

Material is practically non-toxic to aquatic organisms on an acute basis (LC50/EC50/EL50/LL50 >100 mg/L in the most sensitive species tested).  
LC50, Oncorhynchus mykiss (rainbow trout), static test, 96 Hour, 40,613 mg/l, OECD Test Guideline 203

##### **Acute toxicity to aquatic invertebrates**

LC50, Ceriodaphnia dubia (water flea), static test, 48 Hour, 18,340 mg/l, OECD Test Guideline 202

##### **Acute toxicity to algae/aquatic plants**

ErC50, Pseudokirchneriella subcapitata (green algae), 96 Hour, Growth rate inhibition, 19,000 mg/l, OECD Test Guideline 201

##### **Toxicity to bacteria**

NOEC, Pseudomonas putida, 18 Hour, > 20,000 mg/l

##### **Chronic toxicity to aquatic invertebrates**

NOEC, Ceriodaphnia dubia (water flea), semi-static test, 7 d, number of offspring, 13,020 mg/l

#### Inorganic corrosion inhibitor

##### **Acute toxicity to fish**

Material is practically non-toxic to aquatic organisms on an acute basis (LC50/EC50/EL50/LL50 >100 mg/L in the most sensitive species tested).  
LC50, Leuciscus idus (Golden orfe), static test, 48 Hour, > 900 mg/l, Method Not Specified.

### Persistence and degradability

#### Propylene glycol

**Biodegradability:** Material is readily biodegradable. Passes OECD test(s) for ready biodegradability. Biodegradation may occur under anaerobic conditions (in the absence of oxygen).

10-day Window: Pass

**Biodegradation:** 81 %

**Exposure time:** 28 d

**Method:** OECD Test Guideline 301F or Equivalent

10-day Window: Not applicable

**Biodegradation:** 96 %

**Exposure time:** 64 d

**Method:** OECD Test Guideline 306 or Equivalent

**Theoretical Oxygen Demand:** 1.68 mg/mg



**Chemical Oxygen Demand:** 1.53 mg/mg

**Biological oxygen demand (BOD)**

| Incubation Time | BOD      |
|-----------------|----------|
| 5 d             | 69.000 % |
| 10 d            | 70.000 % |
| 20 d            | 86.000 % |

**Photodegradation**

**Atmospheric half-life:** 10 Hour

**Method:** Estimated.

**Inorganic corrosion inhibitor**

**Biodegradability:** Biodegradation is not applicable.

**Bioaccumulative potential**

**Propylene glycol**

**Bioaccumulation:** Bioconcentration potential is low (BCF < 100 or Log Pow < 3).

**Partition coefficient: n-octanol/water(log Pow):** -1.07 Measured

**Bioconcentration factor (BCF):** 0.09 Estimated.

**Inorganic corrosion inhibitor**

**Bioaccumulation:** No bioconcentration is expected because of the relatively high water solubility.

**Mobility in soil**

**Propylene glycol**

Given its very low Henry's constant, volatilization from natural bodies of water or moist soil is not expected to be an important fate process.

Potential for mobility in soil is very high (Koc between 0 and 50).

**Partition coefficient (Koc):** < 1 Estimated.

**Inorganic corrosion inhibitor**

No relevant data found.

---

## 13. DISPOSAL CONSIDERATIONS

---

**Disposal methods:** DO NOT DUMP INTO ANY SEWERS, ON THE GROUND, OR INTO ANY BODY OF WATER. All disposal practices must be in compliance with all Federal, State/Provincial and local laws and regulations. Regulations may vary in different locations. Waste characterizations and compliance with applicable laws are the responsibility solely of the waste generator. AS YOUR SUPPLIER, WE HAVE NO CONTROL OVER THE MANAGEMENT PRACTICES OR MANUFACTURING PROCESSES OF PARTIES HANDLING OR USING THIS MATERIAL. THE INFORMATION PRESENTED HERE PERTAINS ONLY TO THE PRODUCT AS SHIPPED IN ITS INTENDED CONDITION AS DESCRIBED IN MSDS SECTION: Composition Information. FOR

UNUSED & UNCONTAMINATED PRODUCT, the preferred options include sending to a licensed, permitted: Recycler. Reclaimer. Incinerator or other thermal destruction device.

---

## 14. TRANSPORT INFORMATION

---

### TDG

Not regulated for transport

### Classification for SEA transport (IMO-IMDG):

|   |  |
|---|--|
|   | Not regulated for transport                            |
| <b>Transport in bulk according to Annex I or II of MARPOL 73/78 and the IBC or IGC Code</b> | Consult IMO regulations before transporting ocean bulk |

### Classification for AIR transport (IATA/ICAO):

Not regulated for transport

This information is not intended to convey all specific regulatory or operational requirements/information relating to this product. Transportation classifications may vary by container volume and may be influenced by regional or country variations in regulations. Additional transportation system information can be obtained through an authorized sales or customer service representative. It is the responsibility of the transporting organization to follow all applicable laws, regulations and rules relating to the transportation of the material.

---

## 15. REGULATORY INFORMATION

---

### Canadian Domestic Substances List (DSL)

All substances contained in this product are listed on the Canadian Domestic Substances List (DSL) or are not required to be listed.

---

## 16. OTHER INFORMATION

---

### Hazard Rating System

#### NFPA

| Health | Flammability | Instability |
|--------|--------------|-------------|
| 0      | 1            | 0           |

### Revision

Identification Number: 11045208 / A208 / Issue Date: 12/16/2019 / Version: 8.0

Most recent revision(s) are noted by the bold, double bars in left-hand margin throughout this document.

### Legend

|           |   |
|-----------|---|
| CA ON OEL | Canada. Ontario OELs                                |
| TWA       | 8-hr TWA  |
| TWAEV     | time-weighted average exposure value                |
| US WEEL   | USA. Workplace Environmental Exposure Levels (WEEL) |

### Full text of other abbreviations

AICS - Australian Inventory of Chemical Substances; ASTM - American Society for the Testing of Materials; bw - Body weight; CERCLA - Comprehensive Environmental Response, Compensation, and Liability Act; CMR - Carcinogen, Mutagen or Reproductive Toxicant; DIN - Standard of the German Institute for Standardisation; DOT - Department of Transportation; DSL - Domestic Substances List (Canada); ECx - Concentration associated with x% response; EHS - Extremely Hazardous Substance; ELx - Loading rate associated with x% response; EmS - Emergency Schedule; ENCS - Existing and New Chemical Substances (Japan); ErCx - Concentration associated with x% growth rate response; ERG - Emergency Response Guide; GHS - Globally Harmonized System; GLP - Good Laboratory Practice; HMIS - Hazardous Materials Identification System; IARC - International Agency for Research on Cancer; IATA - International Air Transport Association; IBC - International Code for the Construction and Equipment of Ships carrying Dangerous Chemicals in Bulk; IC50 - Half maximal inhibitory concentration; ICAO - International Civil Aviation Organization; IECSC - Inventory of Existing Chemical Substances in China; IMDG - International Maritime Dangerous Goods; IMO - International Maritime Organization; ISHL - Industrial Safety and Health Law (Japan); ISO - International Organisation for Standardization; KECI - Korea Existing Chemicals Inventory; LC50 - Lethal Concentration to 50 % of a test population; LD50 - Lethal Dose to 50% of a test population (Median Lethal Dose); MARPOL - International Convention for the Prevention of Pollution from Ships; MSHA - Mine Safety and Health Administration; n.o.s. - Not Otherwise Specified; NFPA - National Fire Protection Association; NO(A)EC - No Observed (Adverse) Effect Concentration; NO(A)EL - No Observed (Adverse) Effect Level; NOELR - No Observable Effect Loading Rate; NTP - National Toxicology Program; NZIoC - New Zealand Inventory of Chemicals; OECD - Organization for Economic Co-operation and Development; OPPTS - Office of Chemical Safety and Pollution Prevention; PBT - Persistent, Bioaccumulative and Toxic substance; PICCS - Philippines Inventory of Chemicals and Chemical Substances; (Q)SAR - (Quantitative) Structure Activity Relationship; RCRA - Resource Conservation and Recovery Act; REACH - Regulation (EC) No 1907/2006 of the European Parliament and of the Council concerning the Registration, Evaluation, Authorisation and Restriction of Chemicals; RQ - Reportable Quantity; SADT - Self-Accelerating Decomposition Temperature; SARA - Superfund Amendments and Reauthorization Act; SDS - Safety Data Sheet; TCSI - Taiwan Chemical Substance Inventory; TSCA - Toxic Substances Control Act (United States); UN - United Nations; UNRTDG - United Nations Recommendations on the Transport of Dangerous Goods; vPvB - Very Persistent and Very Bioaccumulative

### Information Source and References

This SDS is prepared by Product Regulatory Services and Hazard Communications Groups from information supplied by internal references within our company.

DOW CHEMICAL CANADA ULC urges each customer or recipient of this (M)SDS to study it carefully and consult appropriate expertise, as necessary or appropriate, to become aware of and understand the data contained in this (M)SDS and any hazards associated with the product. The information herein is provided in good faith and believed to be accurate as of the effective date shown above. However, no warranty, express or implied, is given. Regulatory requirements are subject to change and may differ between various locations. It is the buyer's/user's responsibility to ensure that his

activities comply with all federal, state, provincial or local laws. The information presented here pertains only to the product as shipped. Since conditions for use of the product are not under the control of the manufacturer, it is the buyer's/user's duty to determine the conditions necessary for the safe use of this product. Due to the proliferation of sources for information such as manufacturer-specific (M)SDSs, we are not and cannot be responsible for (M)SDSs obtained from any source other than ourselves. If you have obtained an (M)SDS from another source or if you are not sure that the (M)SDS you have is current, please contact us for the most current version.  
CA