



Heat

Dry

Thaw

Cure

PARTS CATALOGUE

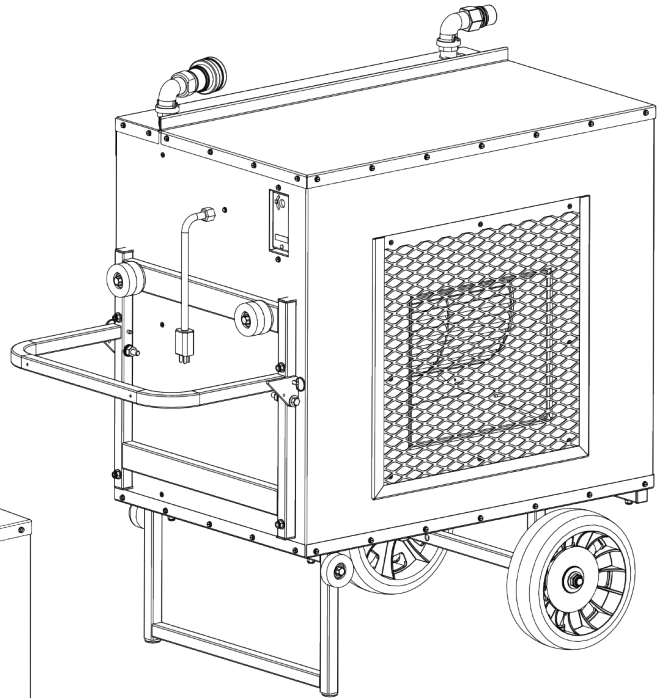
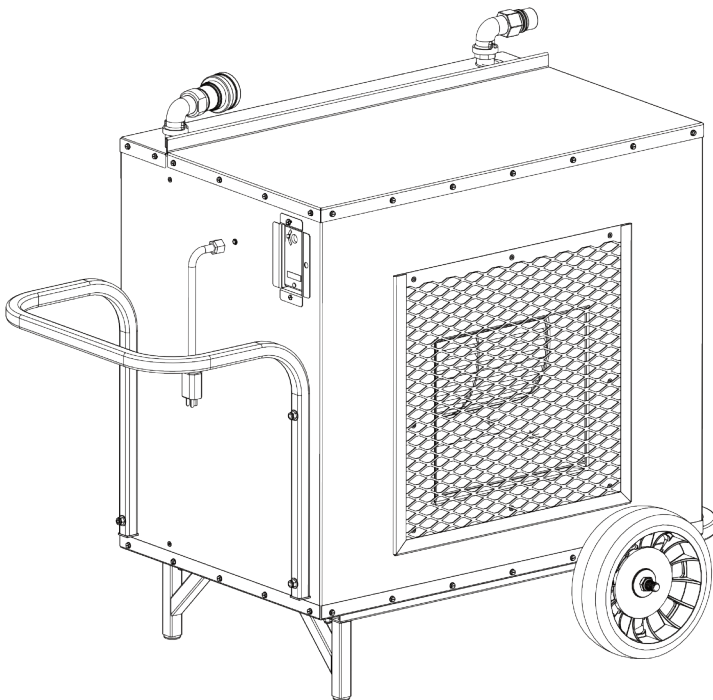
HEFA Fan Coil

Model 200

Powder Coated Edition

Stainless Steel Edition

Heat Center Pro Edition



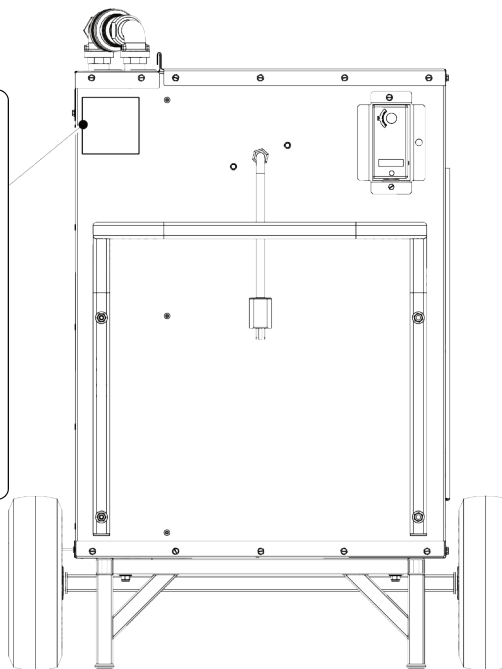
DRYAIR MANUFACTURING CORP.
PO BOX 126, 400 SERVICE ROAD
ST. BRIEUX, SK S0K 3V0
CANADA
www.dryair.ca

Tel: 1 (306) 275-4848
Toll-Free: 1 (888) 750-1700
Fax: 1 (306) 275-4664
Email: parts@dryair.ca

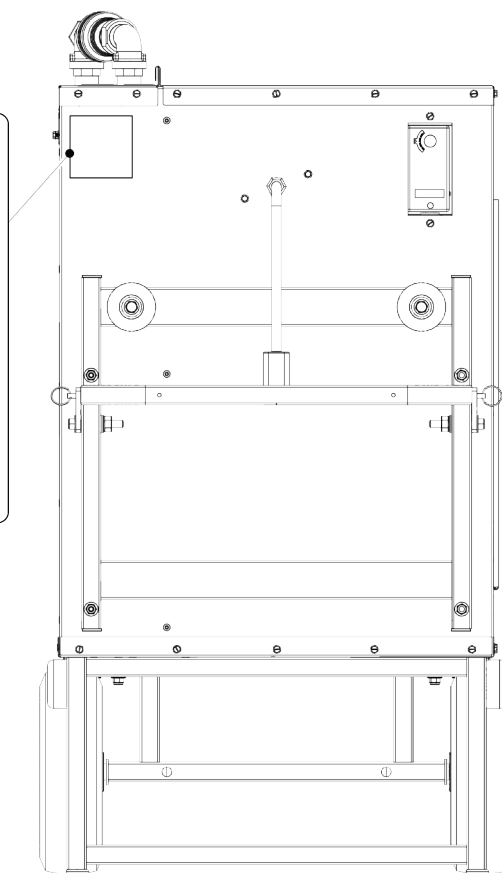


HEFA MODEL 200 FAN COIL All Editions Serial Number Location

		P.O. Box 126 400 Service Road St. Brieux, Sk. Canada
Model / Modèle:		
Production Schedule / Calendrier de Production:		
Reference / Référence:		
Motor Data / Données Moteur		
HP		
Volts		
Hz	60	
Ambient / Ambiant	60°C	
RPM		
Max. Ampacity / Max. Ampacité:		
Speed / Vitesse:		
Certified for Indoor and Outdoor Use / Certifié pour l'utilisation à l'intérieur et à l'extérieur		
		Max. Inlet Water Temperature / Température Maximale de L'eau d'Entrée: 85°C
003-903386 R01		



		P.O. Box 126 400 Service Road St. Brieux, SK Canada
Model / Modèle:		
Production Schedule / Calendrier de Production:		
Reference / Référence:		
Motor Data / Données Moteur		
HP		
Volts		
Hz	60	
Ambient / Ambiant	60°C	
RPM		
Max. Ampacity / Max. Ampacité:		
Speed / Vitesse:		
Certified for Indoor and Outdoor Use / Certifié pour l'utilisation à l'intérieur et à l'extérieur		
		Max. Inlet Water Temperature / Température Maximale de L'eau d'Entrée: 85°C
003-903386 R01		





HEFA MODEL 200 FAN COIL
All Editions
Table of Contents

Cabinet 1.1.1

 Screen 1.1.3

 Handle 1.1.5

 Axle 1.1.9

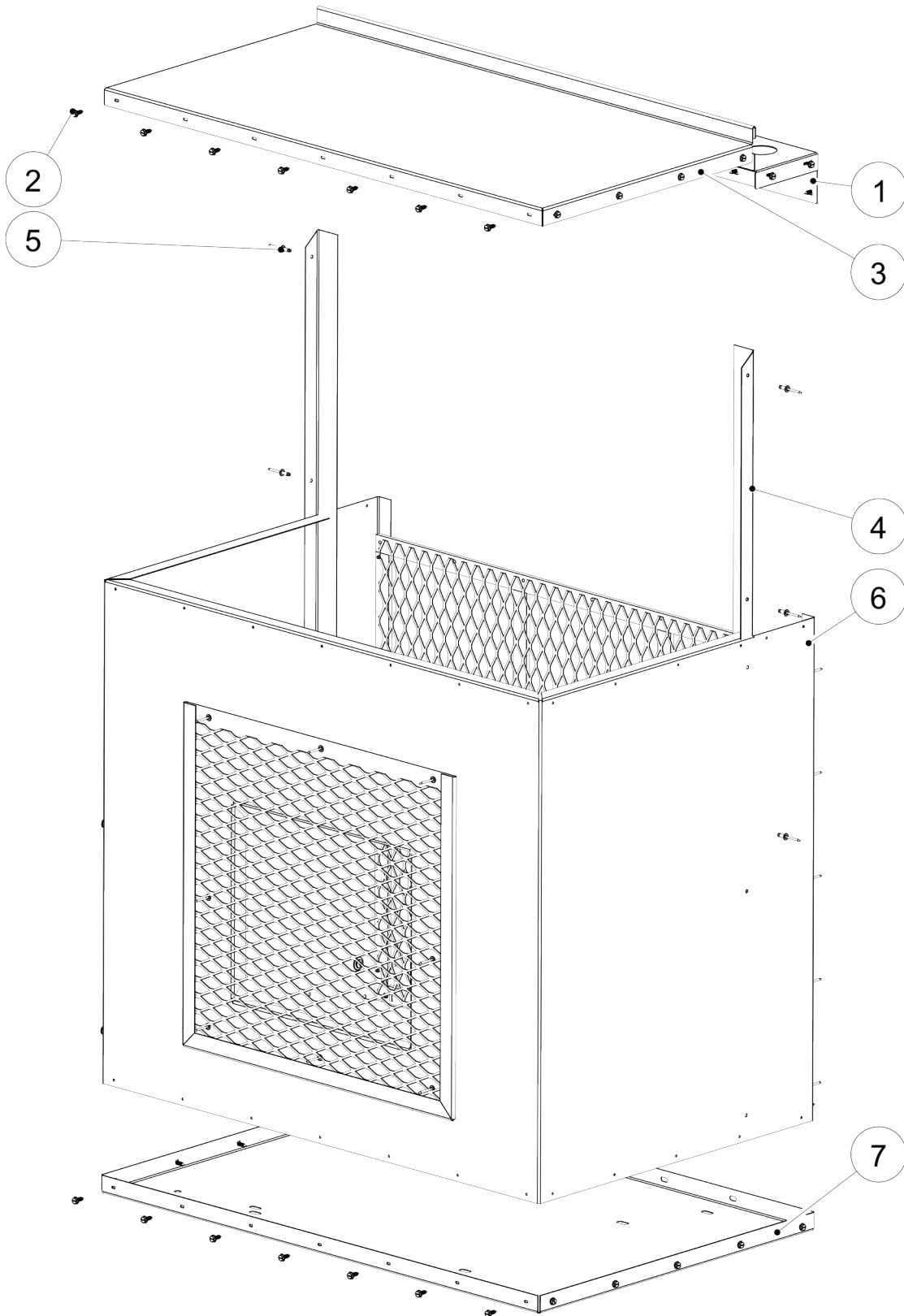
Fan Assembly 2.1.1

 Blower 2.1.3

Coil 3.1.1

Electrical 4.1.1

Decals 5.1.1

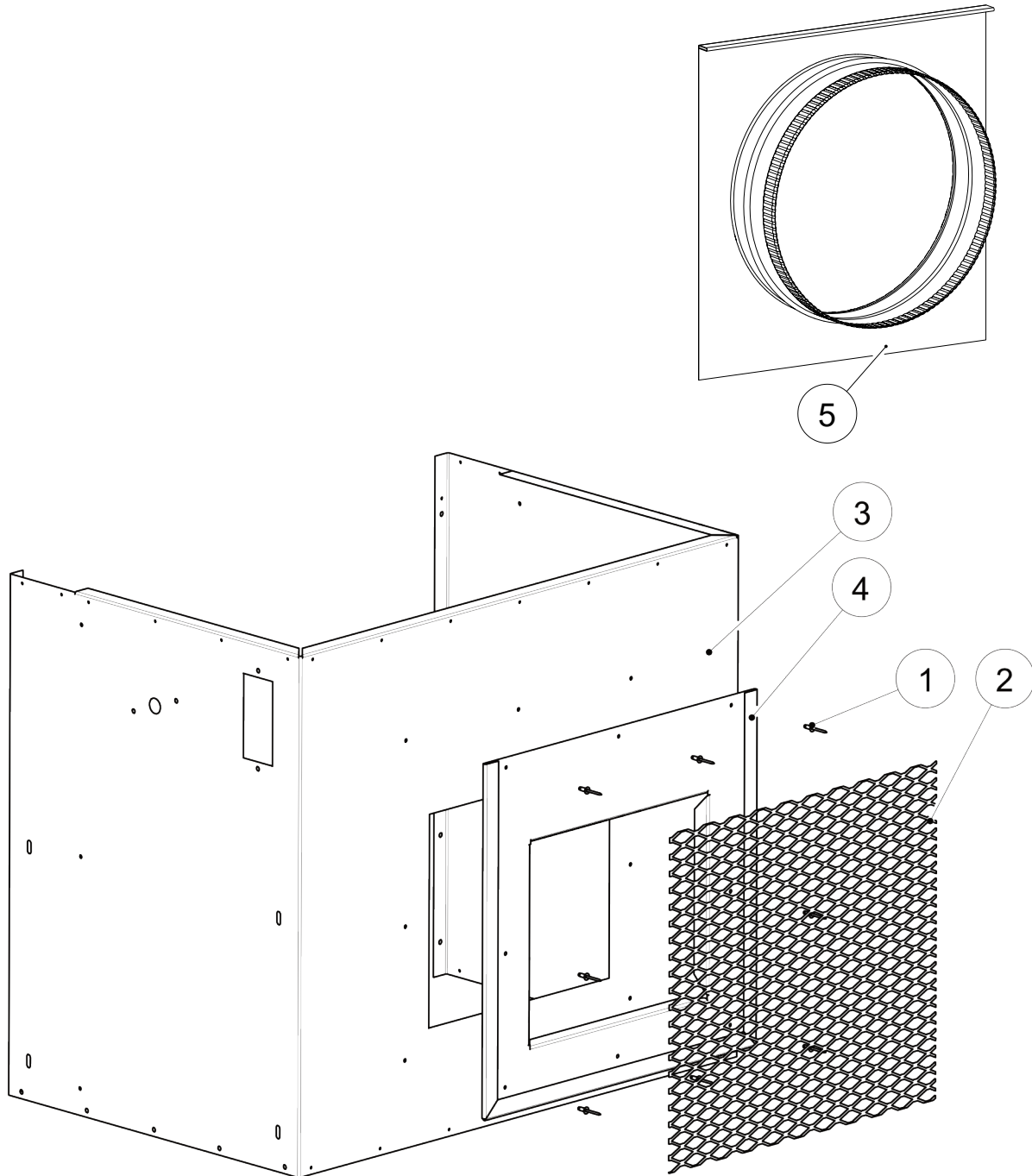




**HEFA MODEL 200 FAN COIL
All Editions
Cabinet**

S/N: 1058-01 -
S/N: Current
PAGE: 1.1.2

Item No.	Part No.	Description	Qty.
1	004-900077	TOP SM MOD200 FAN/COIL R01 (SN 1058-01 - 1752-30)	1
	004-904786	TOP SM MOD200 FAN-COIL SS (SN: 1771-01 - Current)	1
2	001-703424	SCRW D/T 10-16X5/8 5/16HEX HD PLD	43
	001-904821	SCRW D/T 10-16X5/8 5/16HEX HD SS	43
3	004-900076	TOP BIG MOD200 FAN/COIL R02 (SN: 1058-01 - 1752-30)	1
	004-904785	TOP BIG MOD200 FAN-COIL SS (SN: 1771-01 - Current)	1
4	004-900072	STIF MOD200 FAN/COIL R01 (SN 1058-01 - 1752-30)	2
	004-905286	STIF 200 FAN-COIL SS (SN: 1771-01 - Current)	2
5	001-700803	RIVET 5/32 GRP .3125-.375 SS	6
6	004-900070	BOX MAIN MOD200 FAN/COIL R01 (SN 1058-01 - 1752-30)	1
	004-904782	BOX MAIN MOD200 FAN/COIL SS (SN: 1771-01 - Current)	1
7	004-900071	BASE MOD200 FAN/COIL R02 (SN 1058-01 - 1752-30)	1
	004-904783	BASE MOD200 FAN/COIL SS (SN: 1771-01 - Current)	1
	004-905740	BASE MOD200 HCP FAN/COIL SS (HCP ONLY)	1

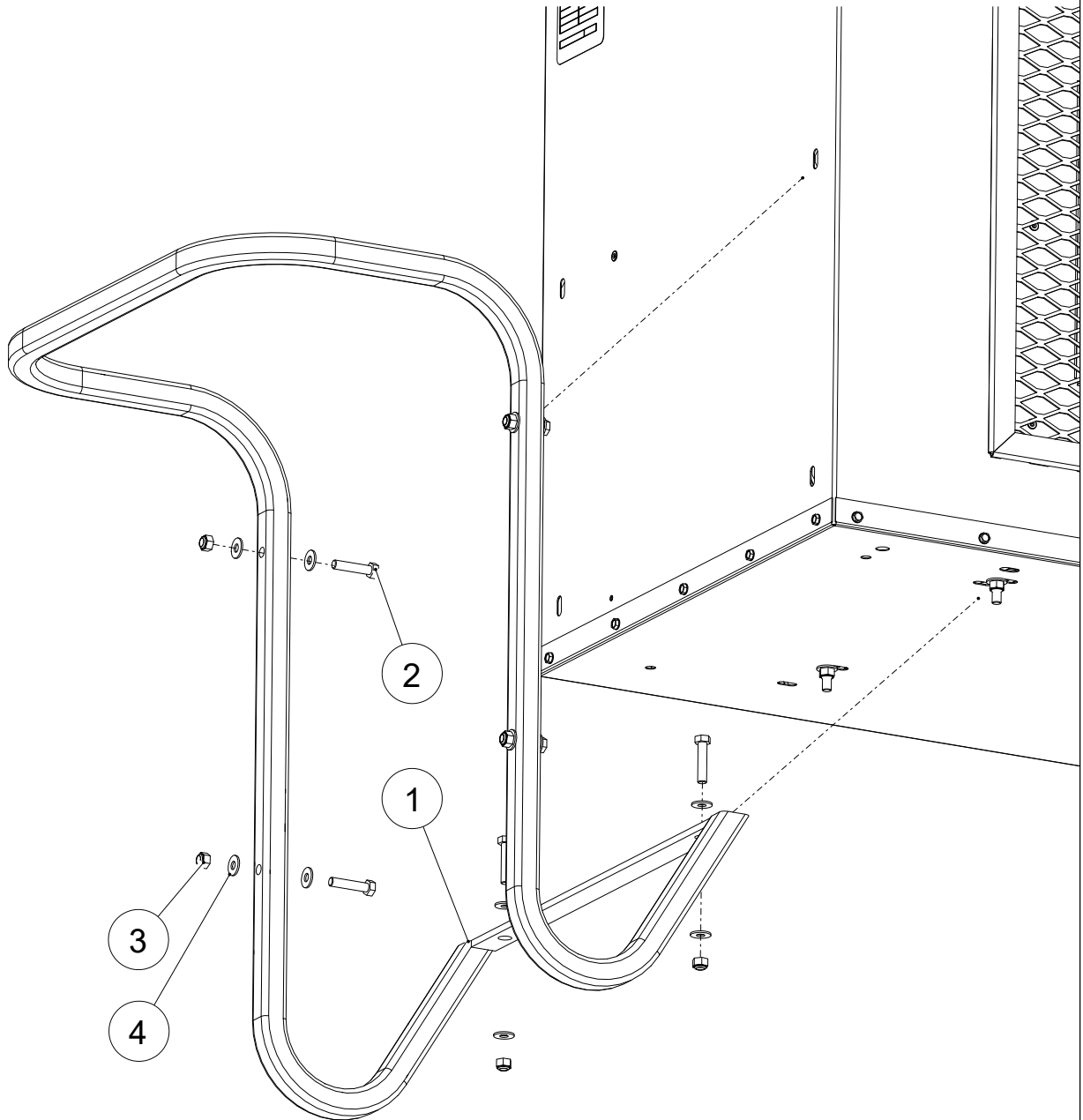




HEFA MODEL 200 FAN COIL
All Editions
Screen

S/N: 1058-01 -
S/N: Current
PAGE: 1.1.4

Item No.	Part No.	Description	Qty.
1	001-700803	RIVET 5/32 GRP .3125-.375 SS	8
2	004-900015	SCREEN SM MOD200 19X20-1/4 CONSTR COIL	1
3	004-900070	BOX MAIN MOD200 FAN/COIL R01 (SN 1058-01 - 1752-30)	1
	004-904782	BOX MAIN MOD200 FAN/COIL SS (SN: 1771-01 - Current)	1
4	004-900073	INTAKE MOD200 FAN/COIL R02 (SN 1058-01 - 1752-30)	1
	004-904784	ADPTR DISCHARGE AIR 200 FAN/COIL SS (SN: 1771-01 - Current)	1
5	004-703018	ADPTR DUCT 16IN DIA MOD200 FAN COIL	1

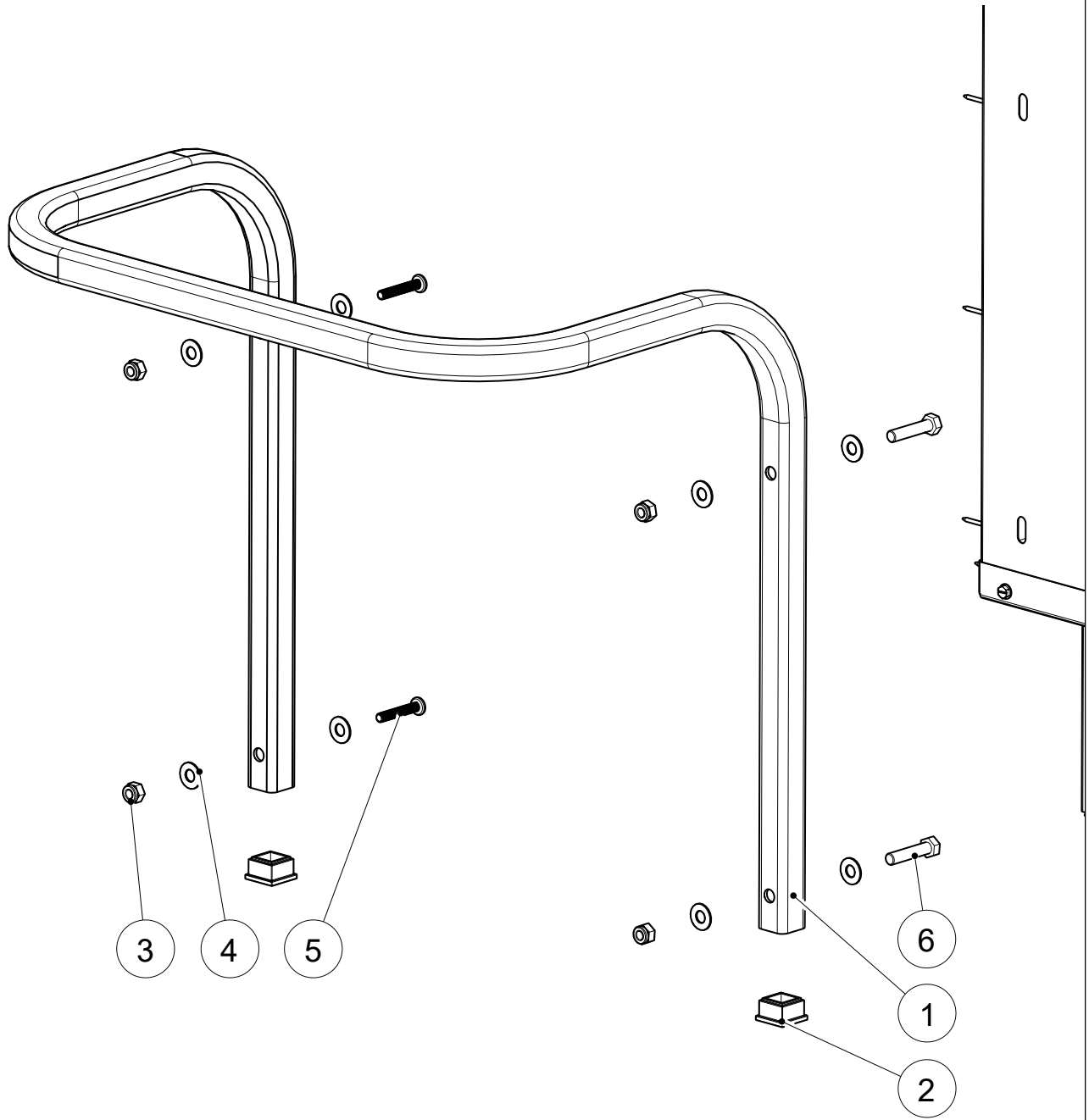




HEFA MODEL 200 FAN COIL
Powder Coated
Handle

S/N: 1058-01 -
S/N: 1380-01
PAGE: 1.1.6

Item No.	Part No.	Description	Qty.
1	004-900017	HNDL MOD200 CONSTR COIL R01	1
2	001-700832	BOLT 5/16X1-1/2 PLD GR5	4
3	001-700741	NUT LKG NYL 5/16 UNC PLD	4
4	001-700742	WSHR FLT 5/16 PLD	8

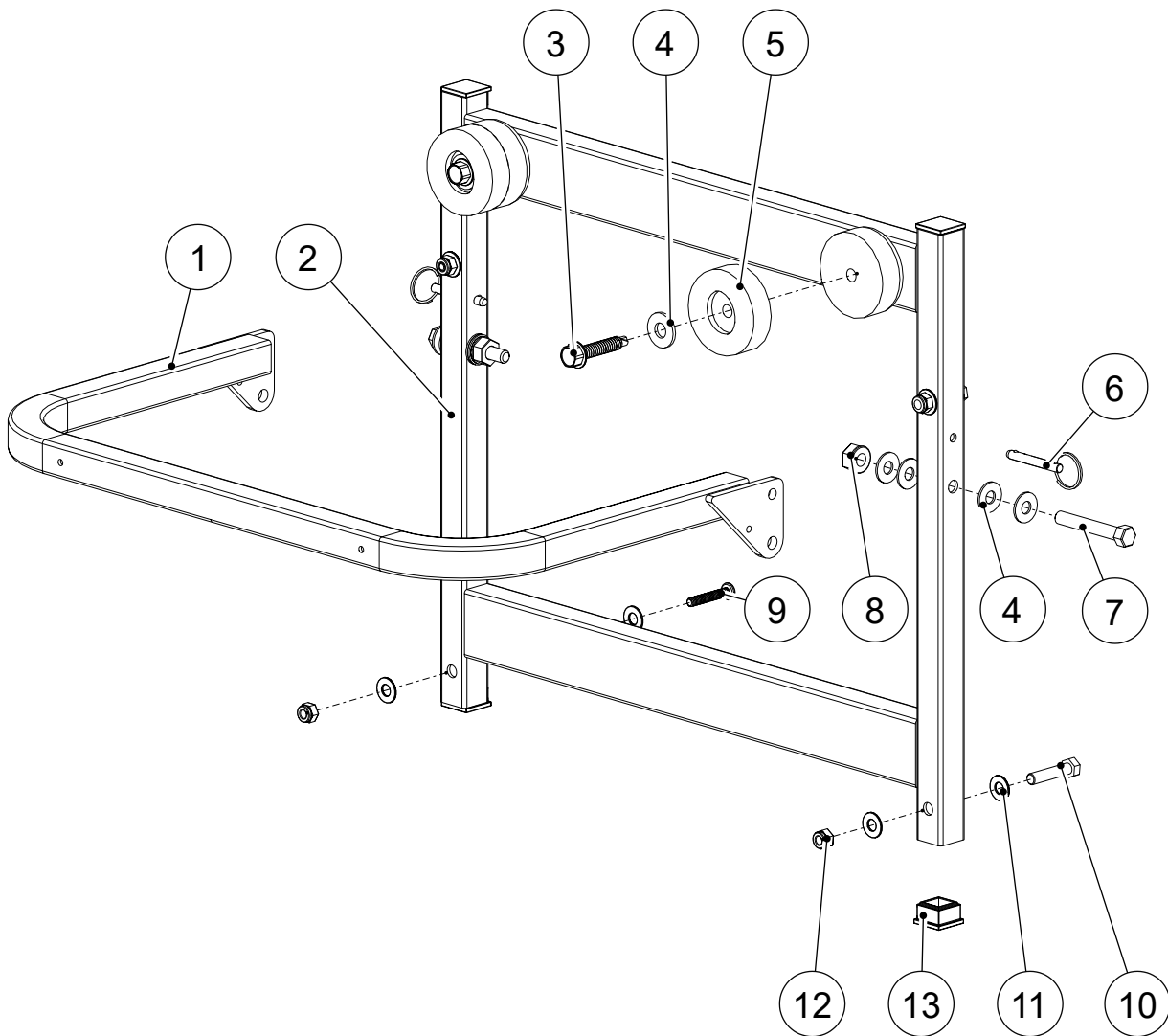




**HEFA MODEL 200 FAN COIL
Powder Coated/Stainless Steel
Handle**

S/N: 1380-01 -
S/N: Current
PAGE: 1.2.6

Item No.	Part No.	Description	Qty.
1	004-900767	HNDL MOD200 CONSTR COIL NEW GENERATION	1
2	016-700718	CAP PLSTC BLK 1X1X100W TBG	2
3	001-700741	NUT LKG NYL 5/16 UNC PLD	4
	001-703915	NUT LKG 5/16 SS UNC	4
4	001-700742	WSHR FLT 5/16 PLD	8
	001-703916	WSHR FLT 5/16 SS	8
5	001-701165	BOLT STOVE 5/16X1-1/2 PLD GR5	2
	001-904824	BOLT PAN 5/16X1-1/2 PLD GR5 SS	2
6	001-700832	BOLT 5/16X1-1/2 PLD GR5	2
	001-905092	BOLT 5/16X1-1/2 UNC PLD GR5 SS	2

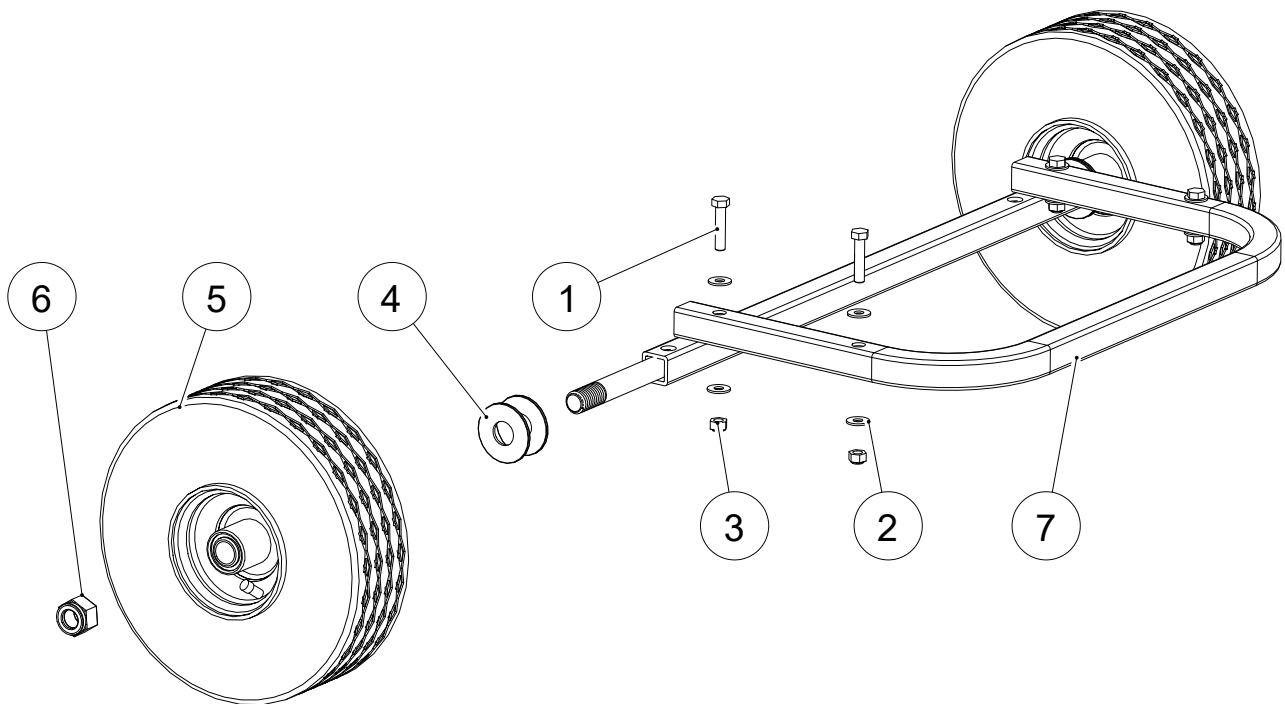




**HEFA MODEL 200 FAN COIL
Heat Center Pro
Handle**

S/N: 1838-01 -
S/N: Current
PAGE: 1.1.8

Item No.	Part No.	Description	Qty.
1	004-900943	ASSY HNDL FOLDING HNDL 200 FAN-COIL	1
2	004-904703	FRAME FOLDING HNDL 200 HCP	1
3	001-701051	SCRW D/T 1/4-14X2 3/8HEX HD	2
4	001-700719	WSHR FLT 3/8 PLD	10
5	009-905585	BUMPER ROUND 2-1/2X1H	4
6	001-703965	PIN QUICK RLSE 1/4X1-1/2 GRIP	2
7	001-700726	BOLT 3/8X2-1/2 PLD GR5	2
8	001-700721	NUT LKG NYL 3/8 UNC PLD	2
9	001-904824	BOLT PAN 5/16X1-1/2 PLD GR5 SS	2
10	001-905092	BOLT 5/16X1-1/2 UNC PLD GR5 SS	2
11	001-703916	WSHR FLT 5/16 SS	8
12	001-703915	NUT LKG 5/16 SS UNC	4
13	016-700718	CAP PLSTC BLK 1X1X100W TBG	4

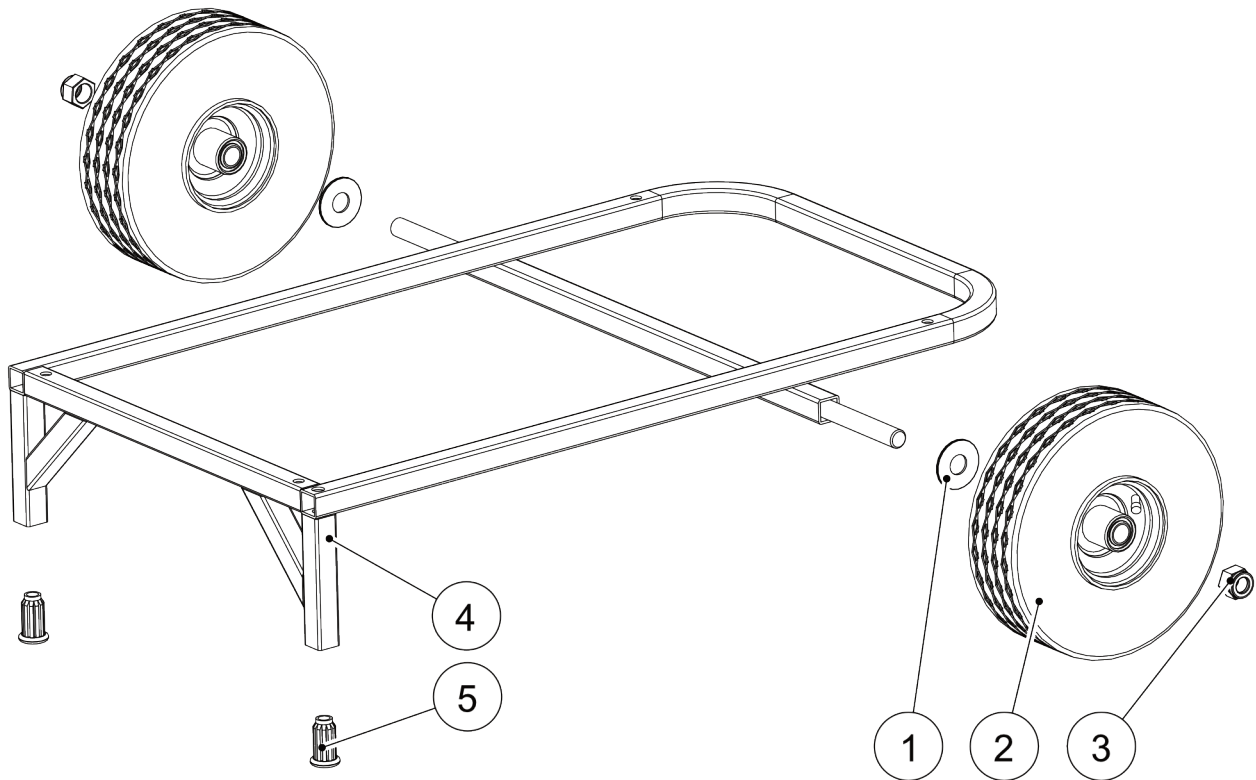




HEFA MODEL 200 FAN COIL
Powder Coated
Axle

S/N: 1058-01 -
S/N: 1380-01
PAGE: 1.1.10

Item No.	Part No.	Description	Qty.
1	001-700832	BOLT 5/16X1-1/2 PLD GR5	4
2	001-700742	WSHR FLT 5/16 PLD	8
3	001-700741	NUT LKG NYL 5/16 UNC PLD	4
4	001-700546	WSHR FLT 3/4 PLD	2
5	009-700665	WHEEL 2PLY TUBELESS 4.10/350X4	2
6	001-700544	NUT LKG NYL 3/4 UNC PLD	2
7	004-900016	AXLE MOD 200 CONSTR COIL R02	1

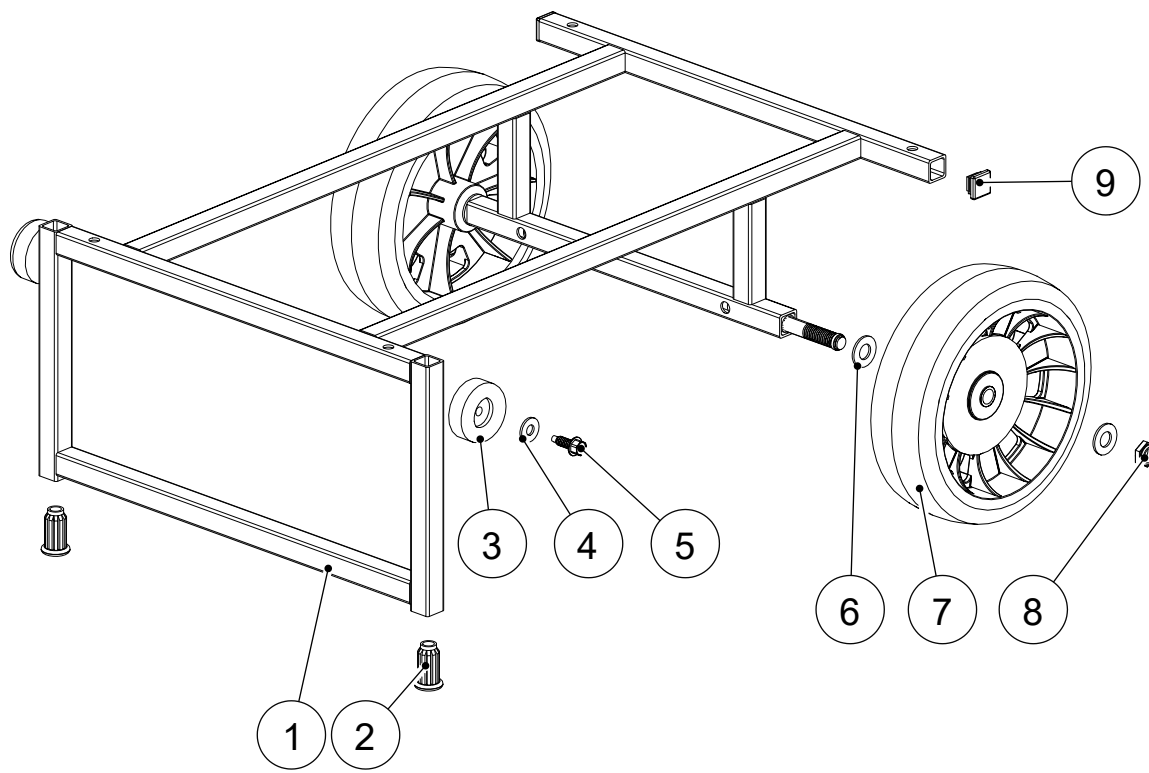




**HEFA MODEL 200 FAN COIL
Powder Coated/Stainless Steel
Axle**

**S/N: 1380-01 -
S/N: Current
PAGE: 1.2.10**

Item No.	Part No.	Description	Qty.
1	001-700546	WSHR FLT 3/4 PLD (SN 1380-01 - 1834-01)	2
	001-700944	WSHR FLT 5/8 SAE PLD (SN 1834-01 - Current)	2
2	009-700665	WHEEL 2PLY TUBELESS 4.10/350X4 (SN 1380-01 - 1834-01)	2
	009-902330	WHEEL 10X3 D6SS CW 5/8ID PRECISION BEARING (SN 1834-01 - Current)	2
3	001-700544	NUT LKG NYL 3/4 UNC PLD (SN 1380-01 - 1834-01)	2
	001-902393	NUT LKG NYL JAM 5/8 UNC PLD (SN 1834-01 - Current)	2
4	004-900766	AXLE MOD 200 CONSTR COIL NEW GENERATION (SN 1380-01 - 1834-01)	1
	004-905597	AXLE 5/8 IN MOD 200 CONSTR COIL NEW GEN (SN 1834-01 - Current)	1
5	016-901090	SOCKET RND PLSTC CASTER	2

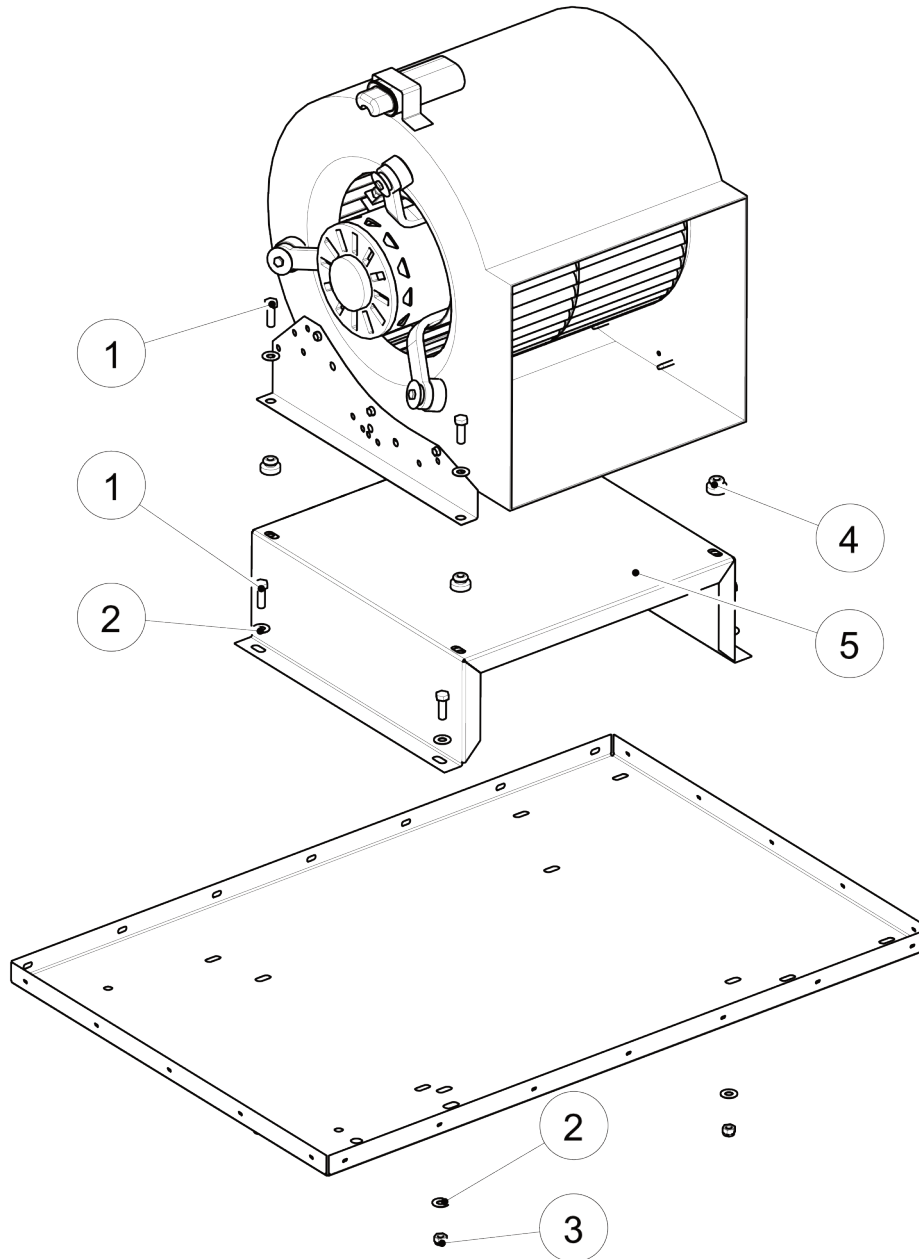




HEFA MODEL 200 FAN COIL
Heat Center Pro
Axle

S/N: 1838-01 -
S/N: Current
PAGE: 1.1.12

Item No.	Part No.	Description	Qty.
1	004-904705	FRAME BASE 200 HCP	1
2	016-901090	SOCKET RND PLSTC CASTER	2
3	009-905585	BUMPER ROUND 2-1/2X1H	2
4	001-700719	WSHR FLT 3/8 PLD	2
5	001-905694	SCRW D/T 1/4-14X1-1/4 3/8HEX HD	2
6	001-700944	WSHR FLT 5/8 SAE PLD	4
7	009-902330	WHEEL 10X3 D6SS CW 5/8ID PRECISION BEARING	2
8	001-902393	NUT LKG NYL JAM 5/8 UNC PLD	2
9	016-700718	CAP PLSTC BLK 1X1X100W TBG	2

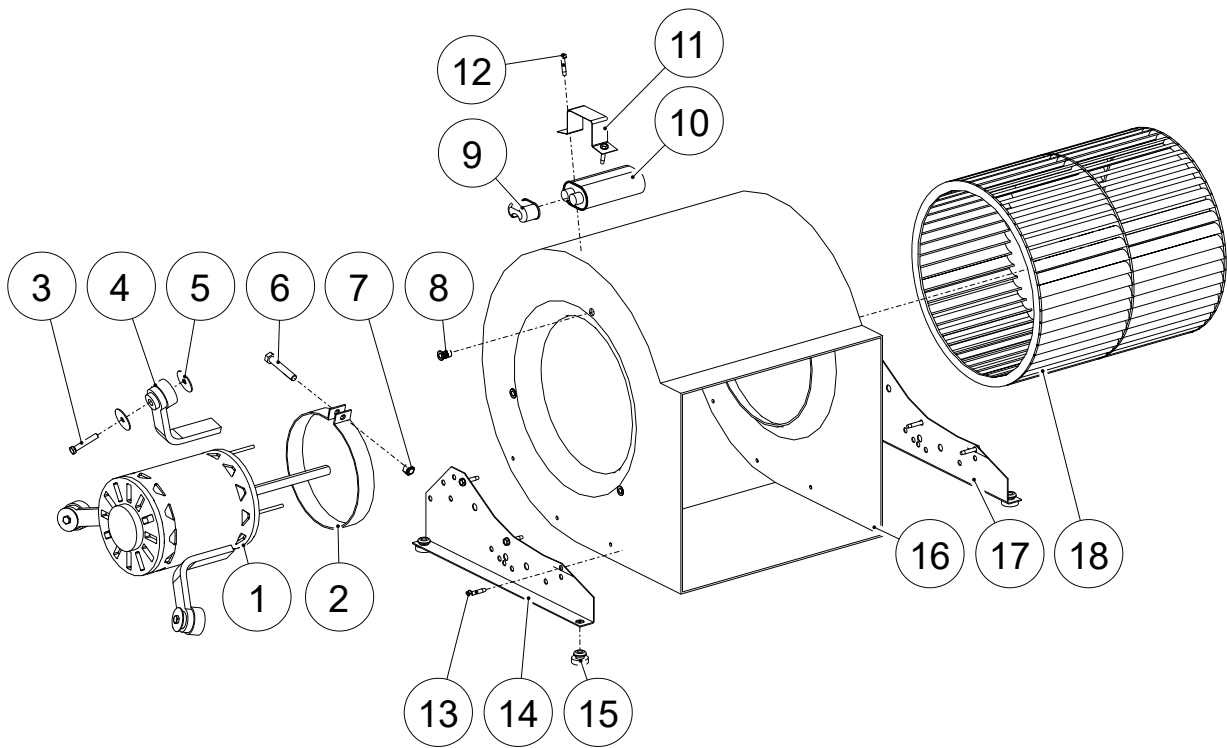




HEFA MODEL 200 FAN COIL
All Editions
Fan Assembly

S/N: 1058-01 -
S/N: 1752-30
PAGE: 2.1.2

Item No.	Part No.	Description	Qty.
1	001-700743	BOLT 5/16X1 PLD GR5	8
	001-902419	BOLT 5/16X1 SS UNC	8
2	001-700742	WSHR FLT 5/16 PLD	16
	001-703916	WSHR FLT 5/16 SS	16
3	001-700741	NUT LKG NYL 5/16 UNC PLD	8
	001-703915	NUT LKG 5/16 SS UNC	8
4	006-704803	DELHI GROMMET	4
5	004-900074	CVR INSIDE MOD200 FAN/COIL R01 <small>(SN 1058-01 - 1752-30)</small>	1
	004-905287	COVER INSIDE 200 FAN-COIL SS <small>(SN 1771-01 - Current)</small>	1

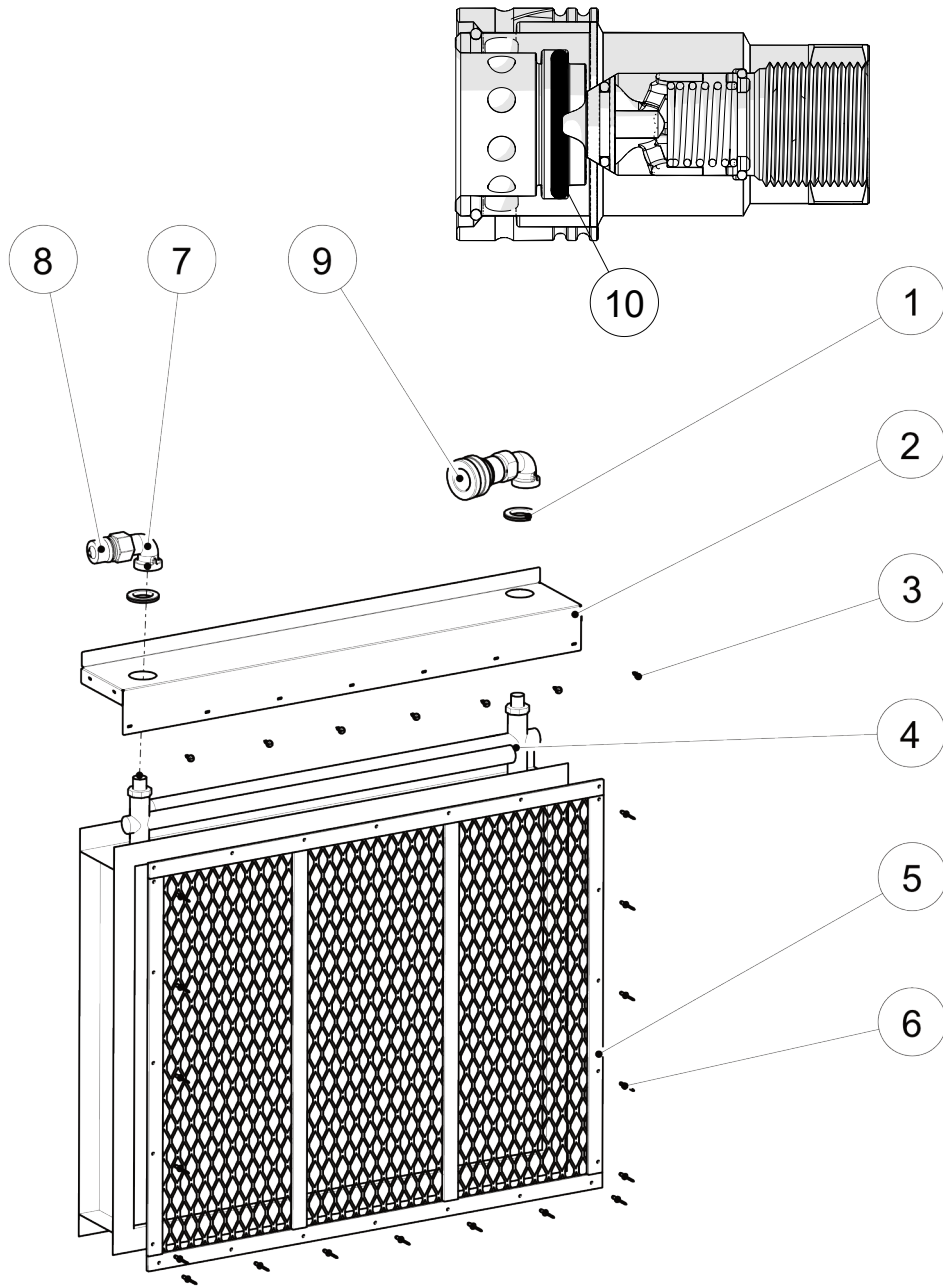




**HEFA MODEL 200 FAN COIL
All Editions
Blower**

S/N: 1058-01 -
S/N: Current
PAGE: 2.1.4

Item No.	Part No.	Description	Qty.
1	012-900370	MOTOR ELEC 1HP 115V 1PH 1075/3SPD	1
2	012-701147	BRKT MTG EXP MOTOR G10 BLO	1
3	001-700956	BOLT 1/4X1-1/2 PLD GR5	3
4	012-900664	ARM MOTOR MNT G10DD BLOWER	3
5	001-701167	WSHR FNDR 1-1/4X1/4 PLD	6
6	001-902275	BOLT TAP 5/16X2 PLD GR5	1
7	001-700741	NUT LKG NYL 5/16 UNC PLD	1
8	001-703408	INSERT THD 1/4 UNC RND BODY .027-.165 GRP	3
9	012-701141	BOOT TERM CAP 1HP MOTOR PLSTC	1
10	012-700853	CAPACITOR 20MFD 370VAC 1HP MOTOR	1
11	010-701257	STRP CAPACITOR	1
12	001-700629	SCRW D/T 10-16X3/4 5/16HEX HD PLD	2
13	006-704810	DELHI 1/4X20 SELF-TAP SCRW	6
14	006-704802	DELHI G10DD BASE SIDE RH	1
15	006-704803	DELHI GROMMET	4
16	018-900663	BLOWER DELHI G10DD WITH THD INSERTS <small>(Includes 8, 13-15, 16-17,18)</small>	1
17	006-704801	DELHI G10DD BASE SIDE LH	1
18	006-702353	SQUIRREL CAGE G10 MOD200 COIL	1

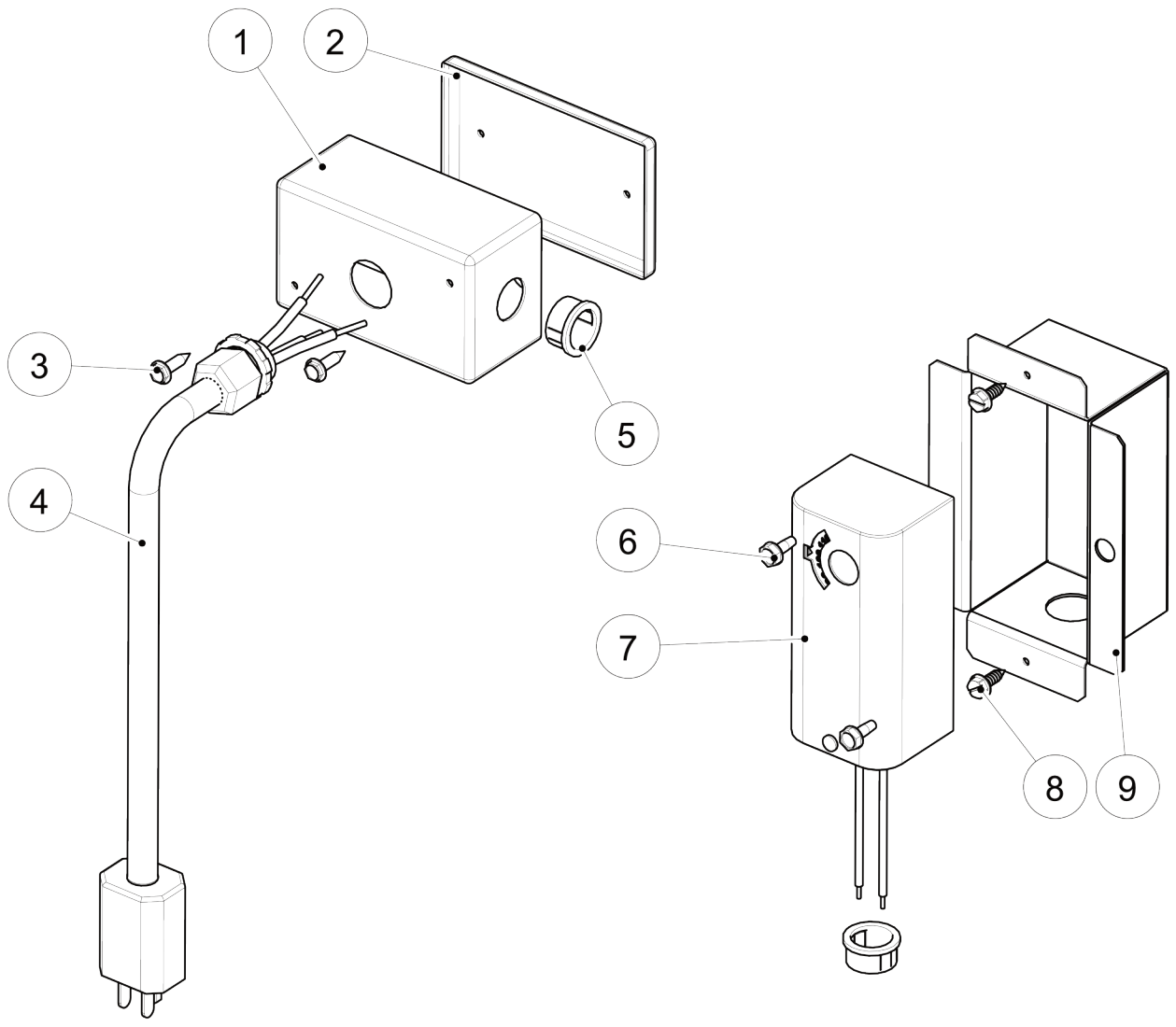




HEFA MODEL 200 FAN COIL
All Editions
Coil

S/N: 1058-01 -
S/N: Current
PAGE: 3.1.2

Item No.	Part No.	Description	Qty.
1	009-700155	GROM 1-1/4X1-3/4 RBR MOD 200 COIL	2
2	004-900077	TOP SM MOD200 FAN/COIL R01	1
3	001-703424	SCRW D/T 10-16X5/8 5/16HEX HD PLD	7
4	012-700058	COIL WTR 4WS3B-24TX24	1
5	004-900014	SCREEN LG 33X27 MOD200 CONSTR COIL	1
6	001-700803	RIVET 5/32 GRP .3125-.375 SS	17
7	011-702415	ELB ST 1X90DEG BRS NPT	2
8	011-701375	QC NIPL BRS 1 60 SERIES	1
9	011-701374	QC CPLR BRS 1 60 SERIES	1
10	006-702957	O-RING 1IN QC CPLR (.141)	1

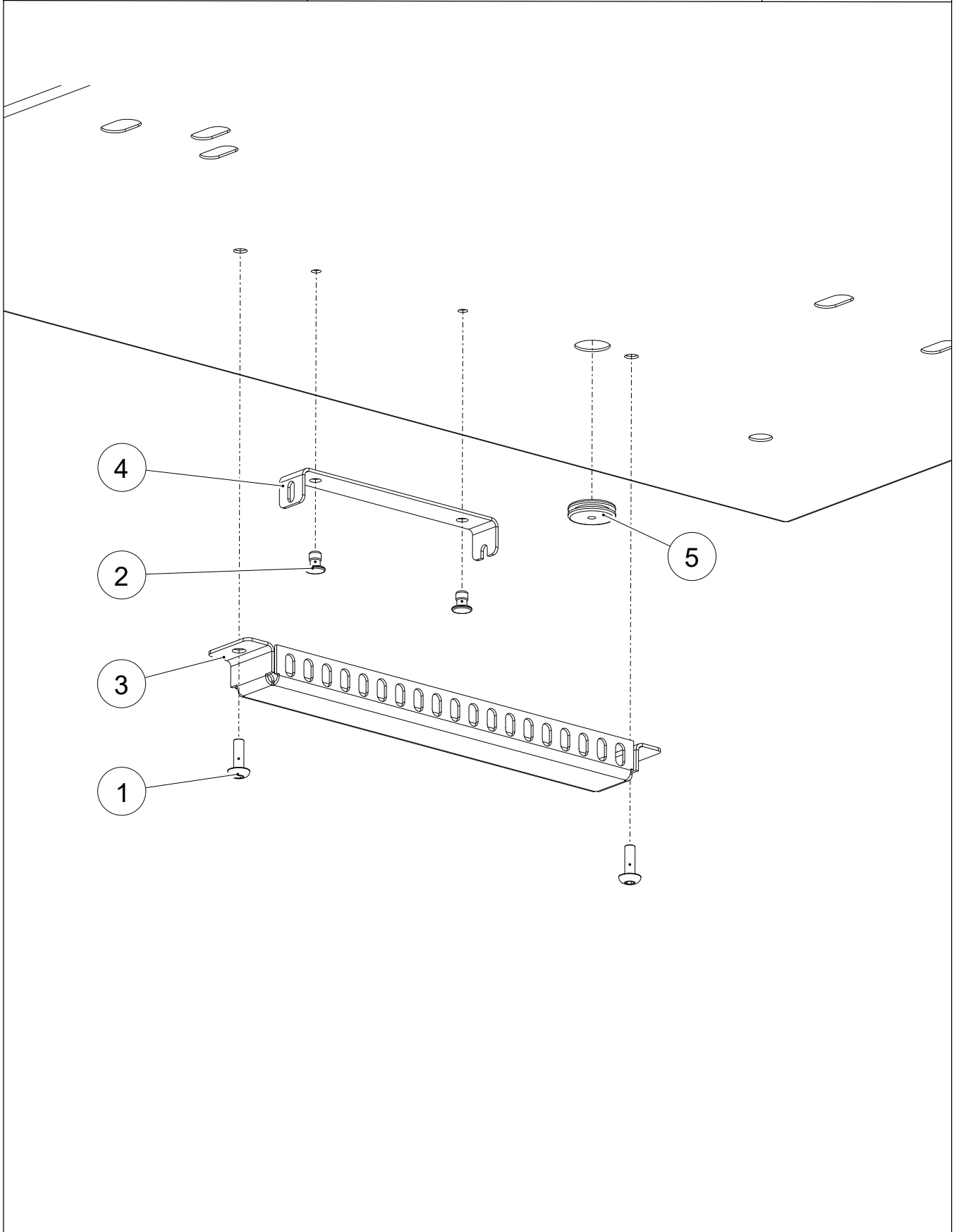




HEFA MODEL 200 FAN COIL
All Editions
Electrical

S/N: 1058-01 -
S/N: Current
PAGE: 4.1.2

Item No.	Part No.	Description	Qty.
1	002-800031	BOX HANDY 4X2 1/2KO	1
2	002-700698	CVR BOX UTIL 2X4	1
3	001-701597	SCRW THDCT 1/4-20X1/2HWHT-1	2
4	018-701249	PKG CORD 14/3X12	1
5	002-701115	BSHG KO 1/2	2
6	001-904456	SCRW D/T 10-16X1/2 5/16HEX HD SS	2
7A	005-701111	THERMO JOHNSON CONT A19ABA (-30-100F)	1
7B	005-703464	CONT TEMP JOHNSON 25-225F SPDT	1
8	001-904821	SCRW D/T 10-16X5/8 5/16HEX HD SS	2
9	004-900075	BOX SM MOD200 FAN/COIL R03 (SN 1058-01 - 1752-30)	1
	004-904454	BOX RECESSED THERM MNT SS (SN 1771-01 - Current)	1





HEFA MODEL 200 FAN COIL
Heat Center Pro
Electrical

S/N: 1771-01 -
S/N: Current
PAGE: 4.1.4

Item No.	Part No.	Description	Qty.
1	001-704515	SCRW MACH 10-24X1/2 SS UNC BTN HD 1/8HEX DR	2
2	001-902329	RIVET 5/32X.062 .125 SS	2
3	004-902302	SHLD THERMOSTAT BULB SS	1
4	004-902316	BRKT THERMOSTAT BULB SPRT SS	1
5	009-902331	GROM 1/8IDX3/4 OD 9/16 HOLE	1



HEFA MODEL 200 FAN COIL All Editions Decals

S/N: 1058-01 -
S/N: Current
PAGE: 5.1.1

1

3

2

4

5

6

7

8

9

10

11

12

13

14

15

Item No.	Part No.	Description	Qty.
1	003-906544	DECAL DRYAIR HEAT DRY THAW CURE 16-3/4L	1
2	003-906542	DECAL HEFA 200 4.5T	1
3	003-906543	DECAL HEFA 200 3T	1
4	003-906392	DECAL WWW.DRYAIR.CA 15X1.77 NEW BLUE	1
5	003-700185	DECAL CHK COIL RGLR 2-1/2X1-1/2	1
6	003-903355	DECAL WARNING EXT CORD SHOCK	1
7	003-703643	DECAL TESTED DATE/INIT/TEST	1
8	003-701103	DECAL WARM AIR SPLY	1
9	003-701104	DECAL INTAKE AIR	1
10	003-903397	DECAL EXT CORD USE	1
11	003-903845	DECAL WARNING RISK OF SHOCK	1
12	003-701102	DECAL CAUT NONEXPLN PROOF	1
13	003-701524	DECAL CAUTION GLY SHUT VLV	1
14	003-900371	DECAL ELEC SCHEM MOD200 W AOSMITH	1
15	003-906940	DECAL QR OP MAN HEFA 200	1



HEFA Fan Coil Model 200
S/N:1058-01 - Current

Part No. 023-906397
Rev. 01 05-02-2023