



Heat

Dry

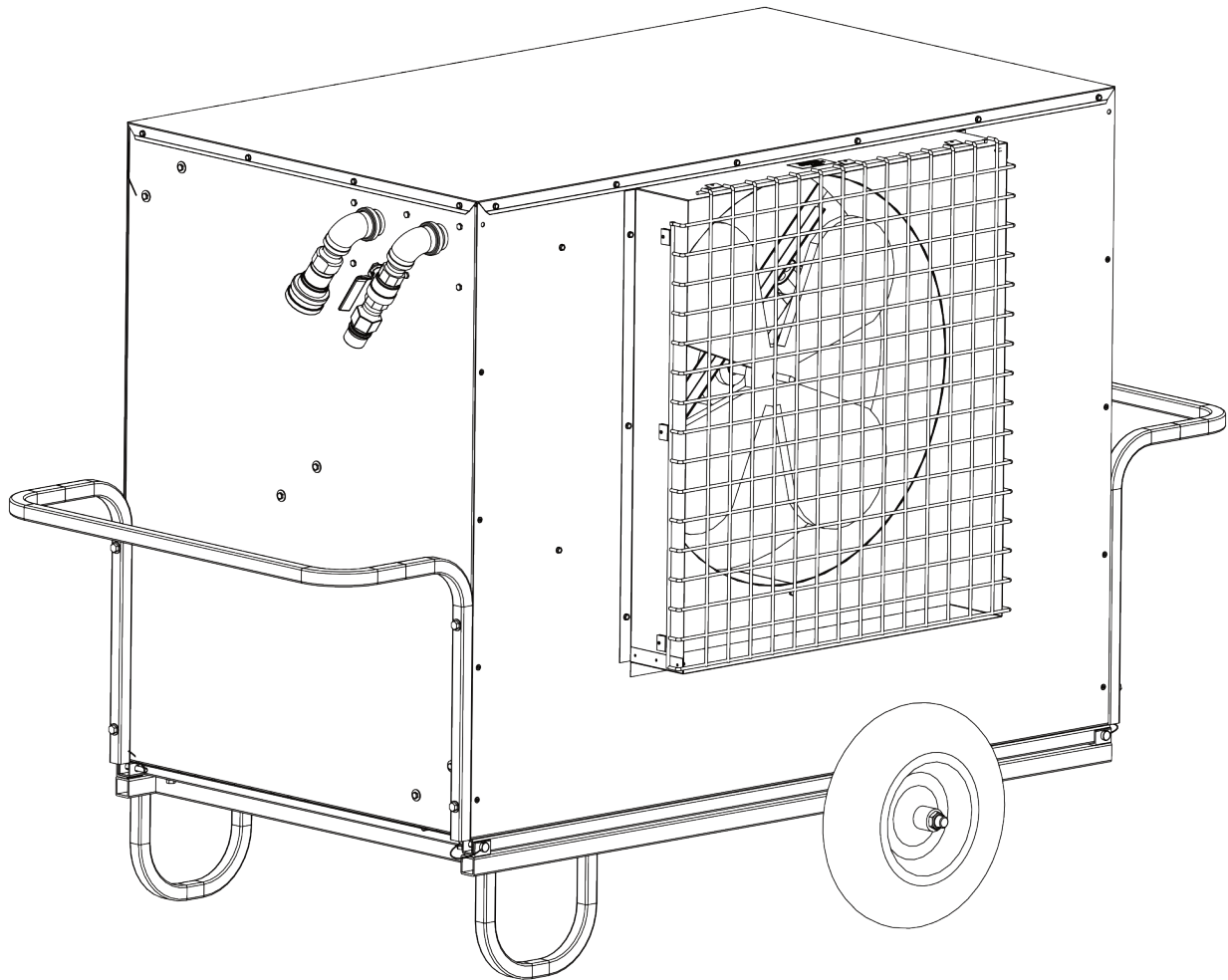
Thaw

Cure

# PARTS CATALOGUE

## HEFA Fan Coil

### Model 600





**DRYAIR MANUFACTURING CORP.**  
PO BOX 126, 400 SERVICE ROAD  
ST. BRIEUX, SK S0K 3V0  
CANADA  
[www.dryair.ca](http://www.dryair.ca)

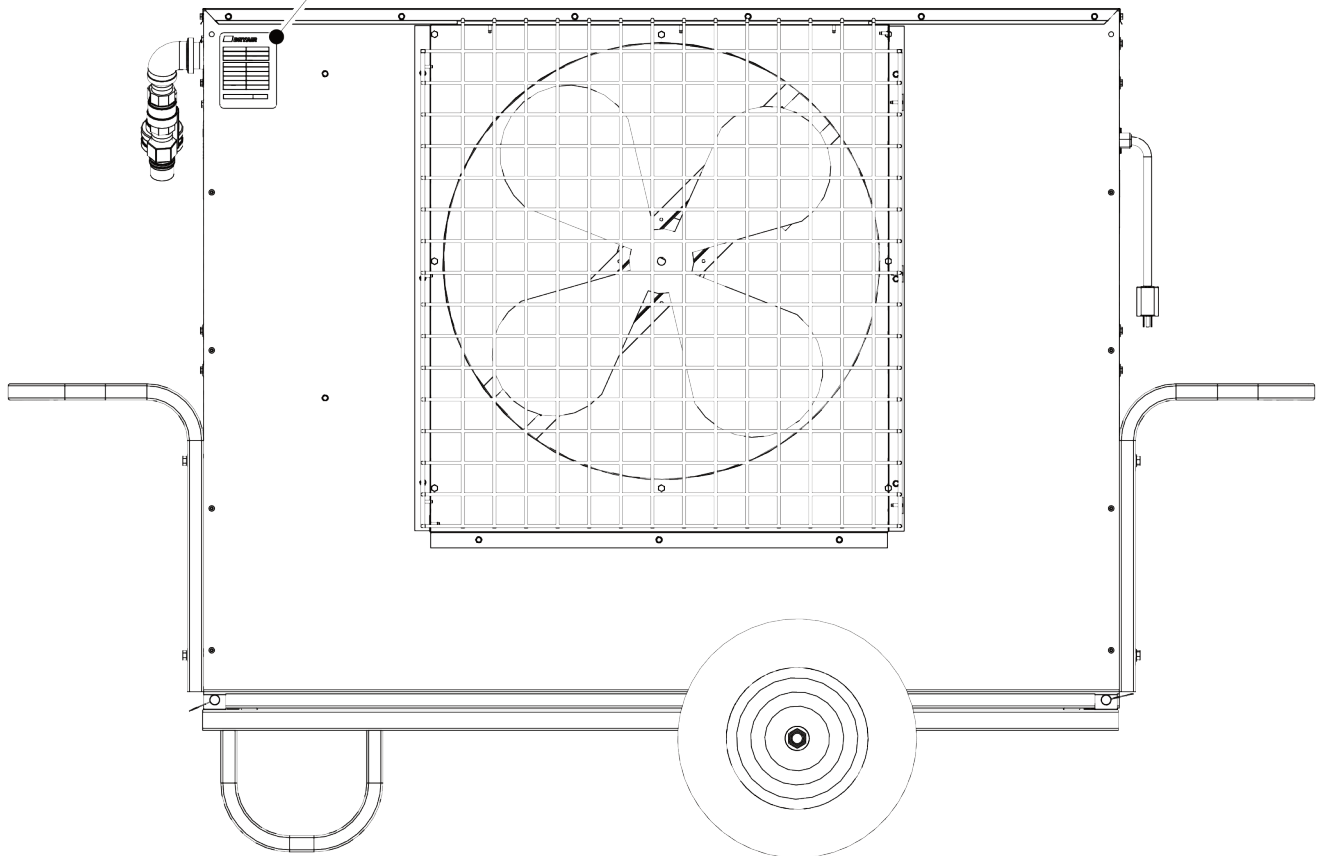
Tel: 1 (306) 275-4848  
Toll-Free: 1 (888) 750-1700  
Fax: 1 (306) 275-4664  
Email: [parts@dryair.ca](mailto:parts@dryair.ca)



# HEFA FAN COIL MODEL 600

## Serial Number Location

	
P.O. Box 128 400 Service Road St. Brieux, Sk. Canada	
Model / Modèle:	
Production Schedule / Calendrier de Production:	
Reference / Référence:	
<b>Motor Data / Données Moteur</b>	
HP	
Volts	
Hz	60
Ambient / Ambiant	60°C
RPM	
Max. Ampacity / Max. Ampacité:	
Speed / Vitesse:	
Certified for Indoor and Outdoor Use / Certifié pour l'utilisation à l'intérieur et à l'extérieur	
	Max. Inlet Water Temperature / Température Maximale de L'eau d'Entrée: 85°C
003-903386 R01	

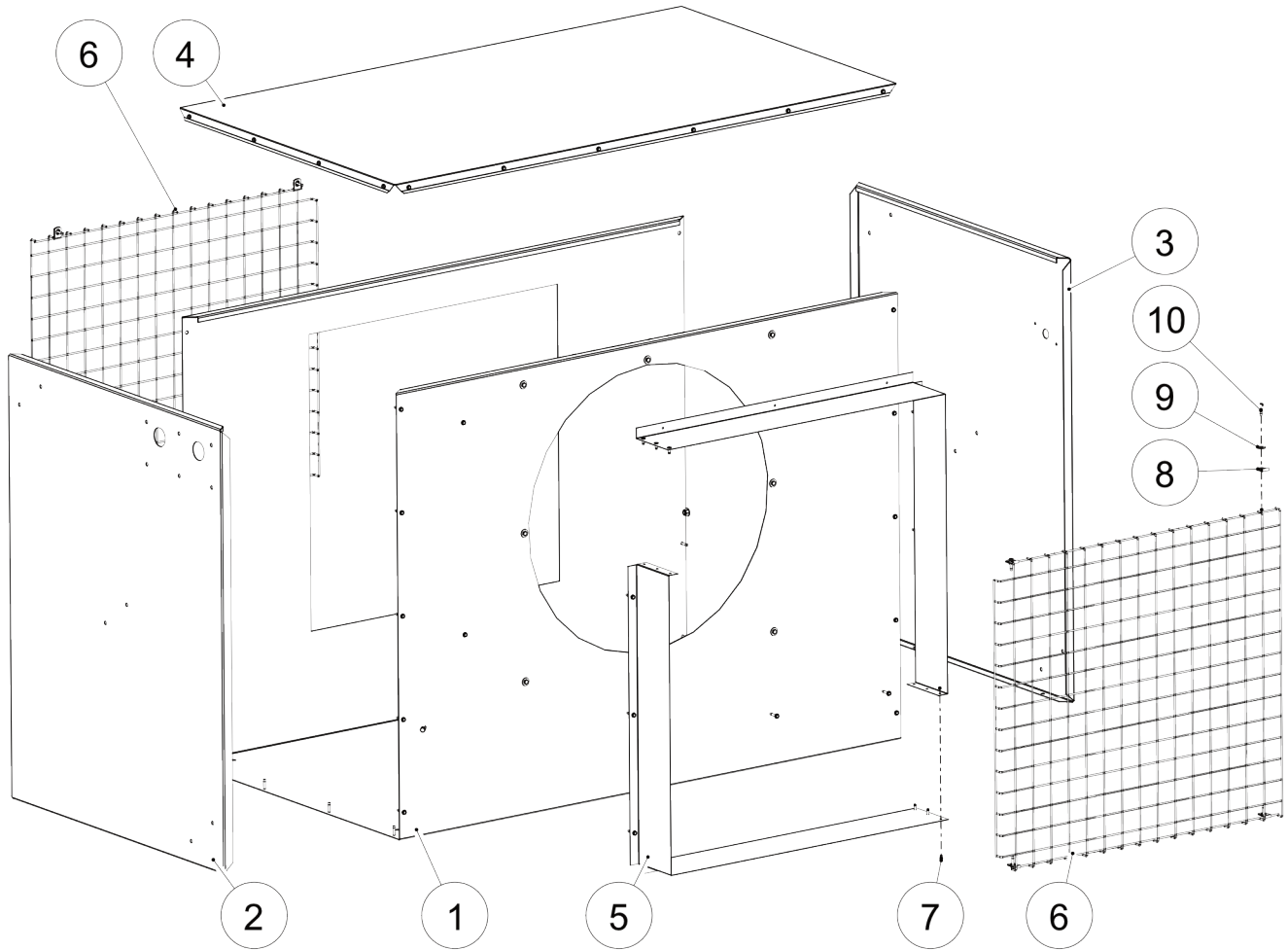




# HEFA FAN COIL MODEL 600

## Table of Contents

Cabinet Components.....	1.1.1
Fan Components .....	2.1.1
Coil Components .....	3.1.1
Electrical Components .....	4.1.1
Decals .....	5.1.1





# HEFA FAN COIL MODEL 600

S/N: 1046-01 -

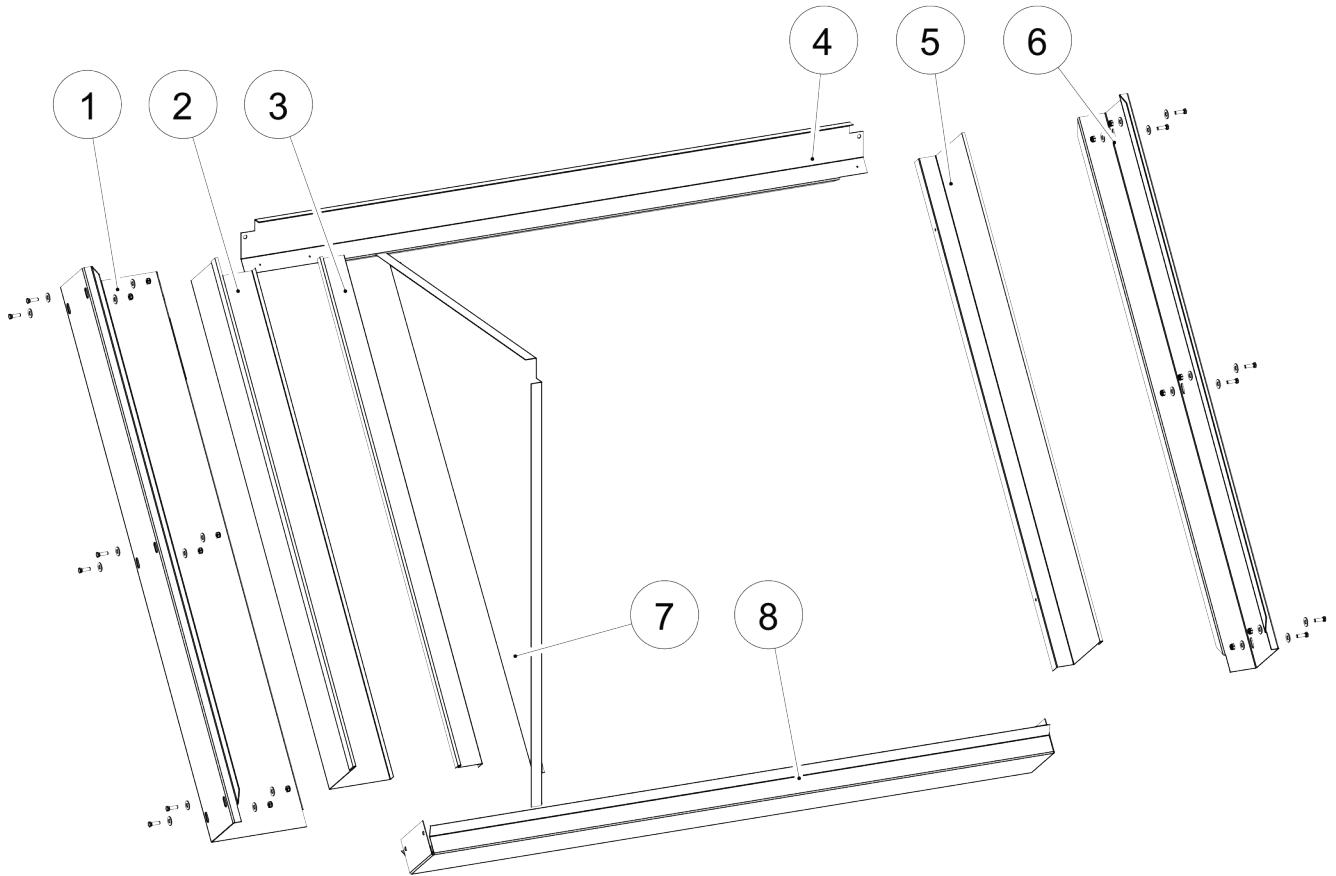
S/N: Current

PAGE: 1.1.2

## Cabinet Components

Item No.	Part No.	Description	Qty.
1	004-702064	BODY MOD 1W600C FAN/COIL	1
2	004-702065	END A MOD 1W600C FAN/COIL R02	1
3	004-702066	END B MOD 1W600C FAN/COIL R01	1
4	004-701460	LID MOD 1W600C FAN/COIL	1
5	004-701480	FRAME FAN GUARD MOD 1W600C FAN/COIL	2
6	010-701879	SCREEN 28-7/16 X 31-11/16 HEFA 600	2
7	001-700803	RIVET 5/32 GRP .3125-.375 SS	6
8	001-906313	CLIP 3/16 DIA CW 3/8 HOLE	8
9	001-700742	WSHR FLT 5/16 PLD	8
10	001-700629	SCRW D/T 10-16X3/4 5/16HEX HD PLD	61
		Components may not be shown	
	001-700832	BOLT 5/16X1-1/2 PLD GR5	4
	001-700741	NUT LKG NYL 5/16 UNC PLD	4

**Cabinet Components**





**HEFA FAN COIL MODEL 600**

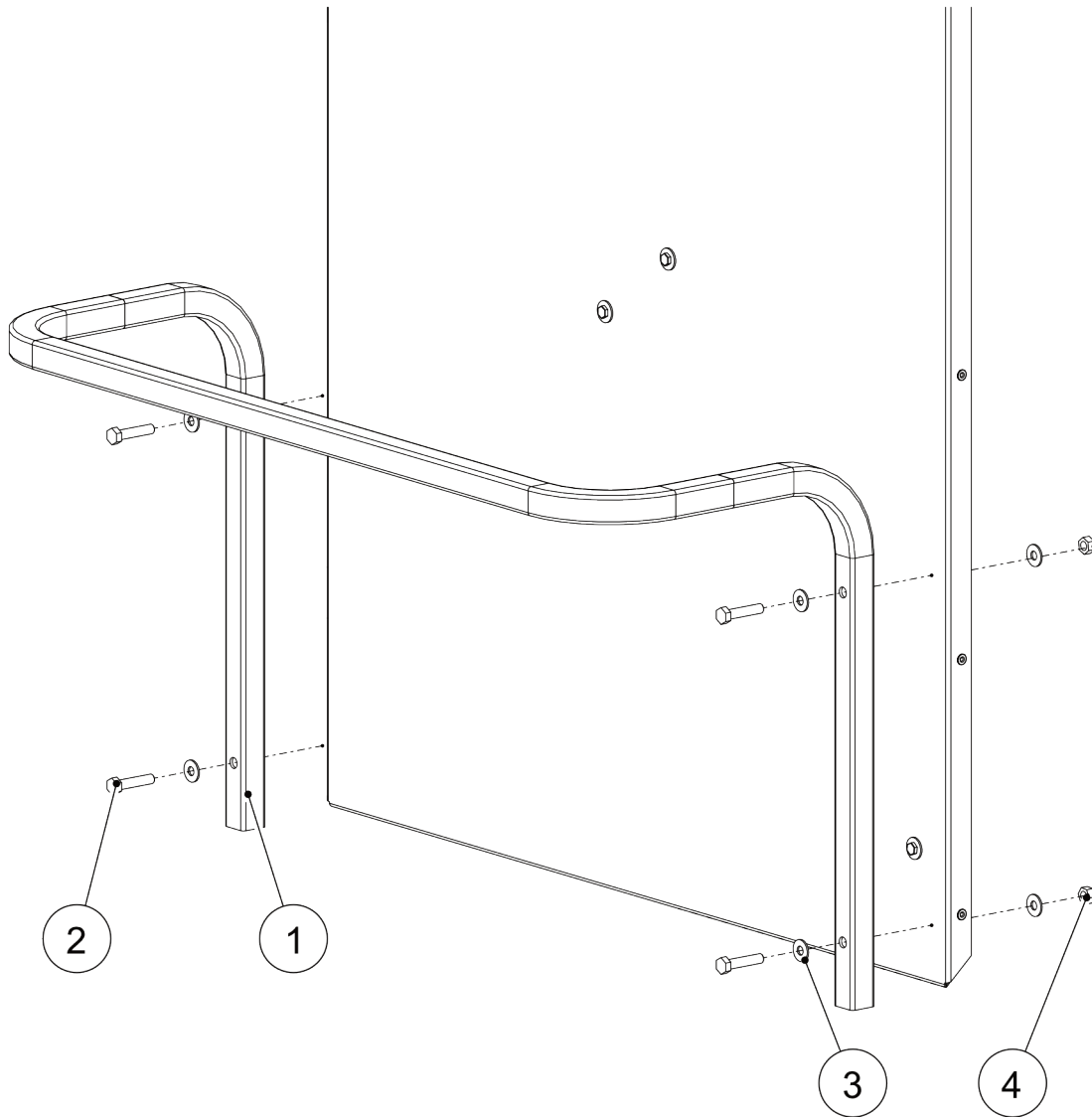
S/N: 1046-01 -

S/N: Current

PAGE: 1.1.4

**Cabinet Components**

Item No.	Part No.	Description	Qty.
1	004-701461	RAIL A HDR END MOD 1W600C FAN/COIL	1
2	004-701463	GUIDE A HDR END MOD 1W600C FAN/COIL	1
3	004-701465	RTNR GUIDE A MOD 1W600C FAN/COIL	1
4	004-701467	GUIDE D TOP MOD 1W600C FAN/COIL	1
5	004-701464	GUIDE B RTN END MOD 1W600C FAN/COIL	1
6	004-701462	RAIL B RTN END MOD 1W600C FAN/COIL	1
7	004-702067	DIV HOSE ELEC 1W600C FAN/COIL	1
8	004-701466	GUIDE C BTM MOD 1W600C FAN/COIL	1
		Components may not be shown	
	001-701482	BOLT 1/4X3/4 PLD GR5	12
	001-700129	WSHR FLT 1/4 PLD	24
	001-700042	NUT LKG NYL 1/4 UNC PLD	12





# HEFA FAN COIL MODEL 600

S/N: 1046-01 -

S/N: Current

PAGE: 1.1.6

## Cabinet Components

Item No.	Part No.	Description	Qty.
1	004-701534	HNDL MOD 1W600C FAN/COIL R02	1
2	001-700832	BOLT 5/16X1-1/2 PLD GR5	4
3	001-700742	WSHR FLT 5/16 PLD	8
4	001-700741	NUT LKG NYL 5/16 UNC PLD	4



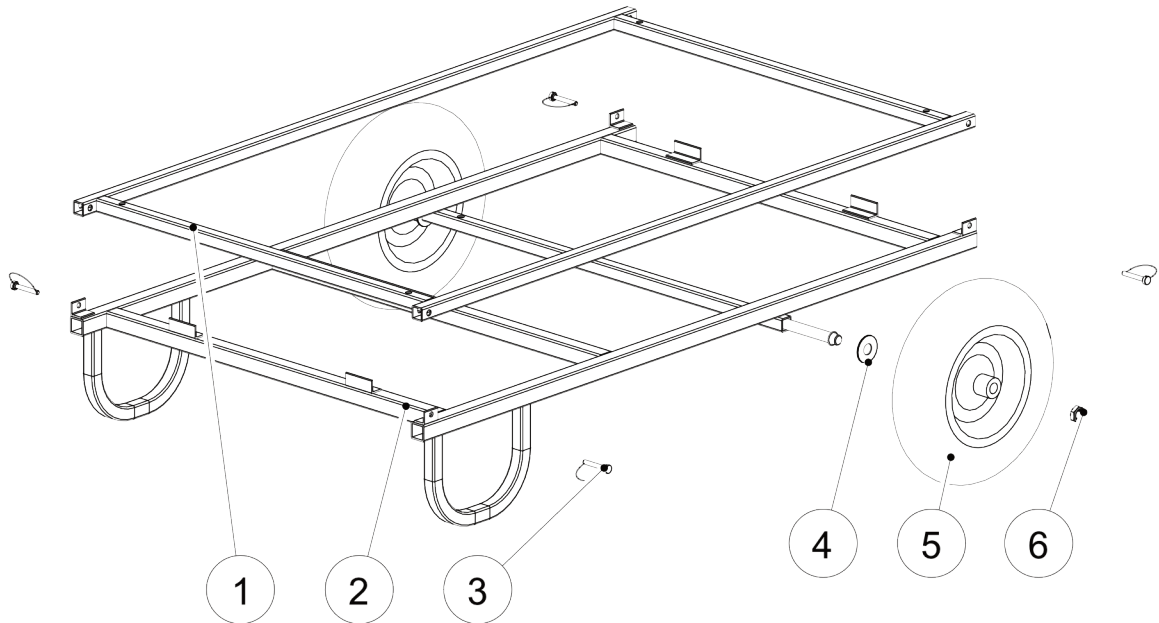
# HEFA FAN COIL MODEL 600

S/N: 1046-01 -

S/N: Current

## Cabinet Components

PAGE: 1.1.7





# HEFA FAN COIL MODEL 600

S/N: 1046-01 -

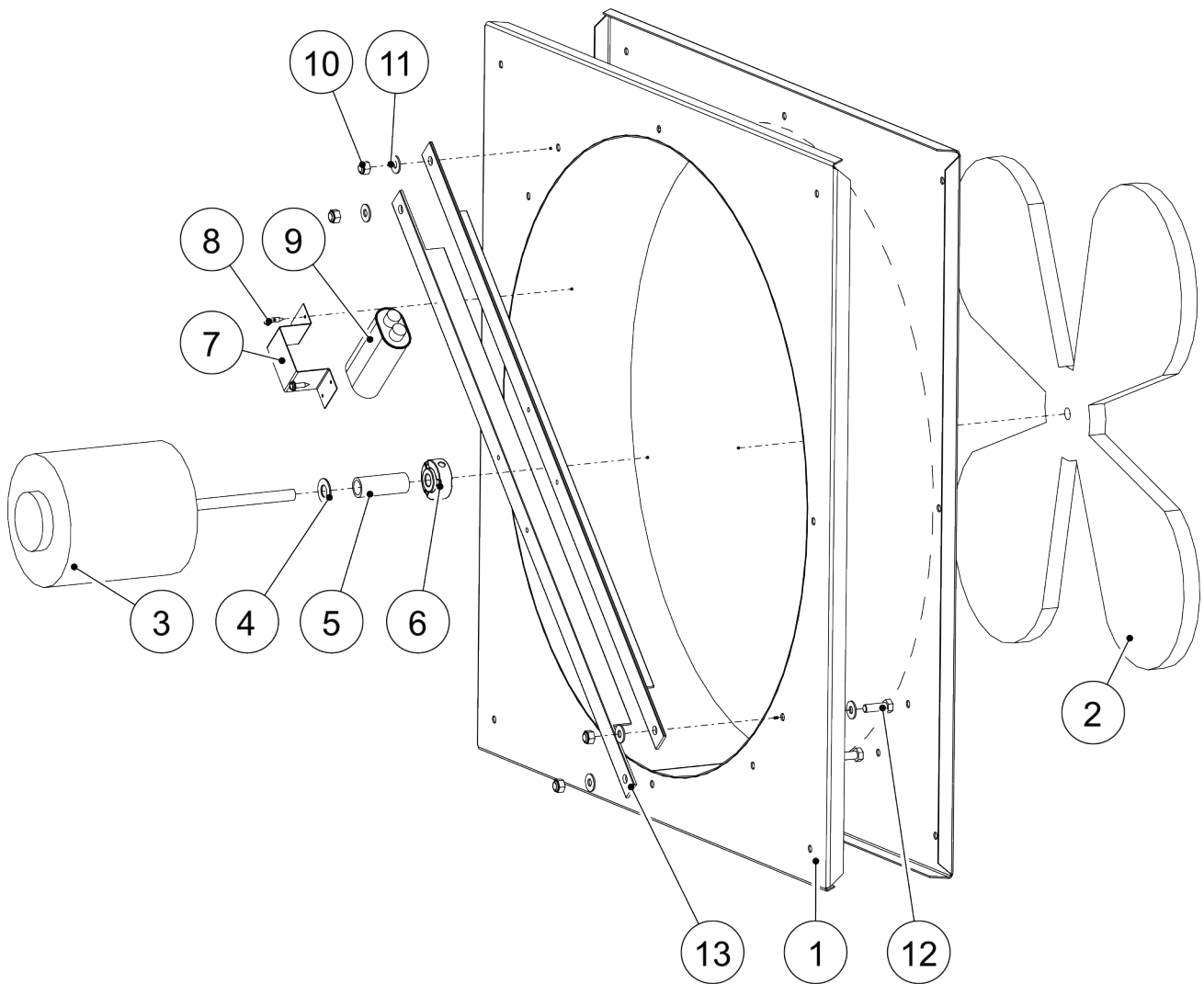
S/N: Current

## Cabinet Components

PAGE: 1.1.8

Item No.	Part No.	Description	Qty.
1	004-701469	CART MOD 1W600C FAN/COIL R01	1
2	004-701470	FRAME CART MOD 1W600C FAN/COIL R01	1
3	001-701483	PIN LOCK 5/16DX1-3/4LN	4
4	001-700546	WSHR FLT 3/4 PLD	2
5	000-701441	ASSY TIRE WB 4.80-4.00X8	2
6	001-905663	NUT LKG NYL JAM 3/4 UNC PLD	2

**Fan Components**





# HEFA FAN COIL MODEL 600

S/N: 1046-01 -

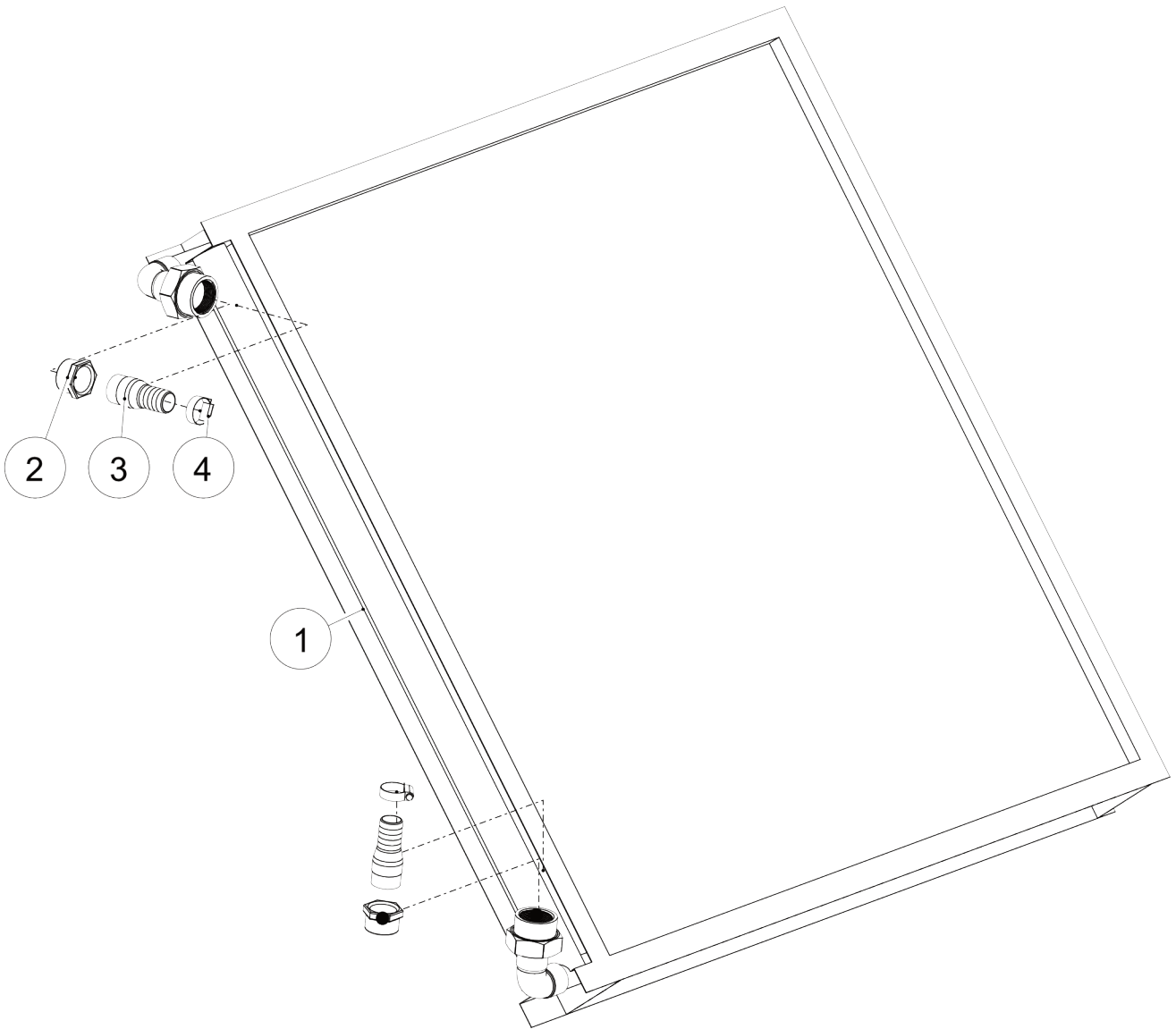
S/N: Current

PAGE: 2.1.2

## Fan Components

Item No.	Part No.	Description	Qty.
1	004-701468	HSG FAN MOD 1W600C FAN/COIL	1
2	012-701542	PROPELLOR 26 24DEG PITCH	1
3	012-900370	MOTOR ELEC 1HP 115V 1PH 1075/3SPD	1
4	001-700110	WSHR FLT 1/2 SAE PLD	1
5	004-905672	BSHG 1/2X2-1/4 PNTD BLK	1
6	012-701543	HUB FAN 1/2 TORIN	1
7	010-701257	STRP CAPACITOR	1
8	001-701597	SCRW THDCT 1/4-20X1/2HWHT-1	2
9	012-700853	CAPACITOR 20MFD 370VAC 1HP MOTOR	1
10	001-700741	NUT LKG NYL 5/16 UNC PLD	4
11	001-700742	WSHR FLT 5/16 PLD	8
12	001-700743	BOLT 5/16X1 PLD GR5	4
13	010-701503	ANG IRON CW 4HOLES R01	2

**Coil Components**





# HEFA FAN COIL MODEL 600

S/N: 1046-01 -

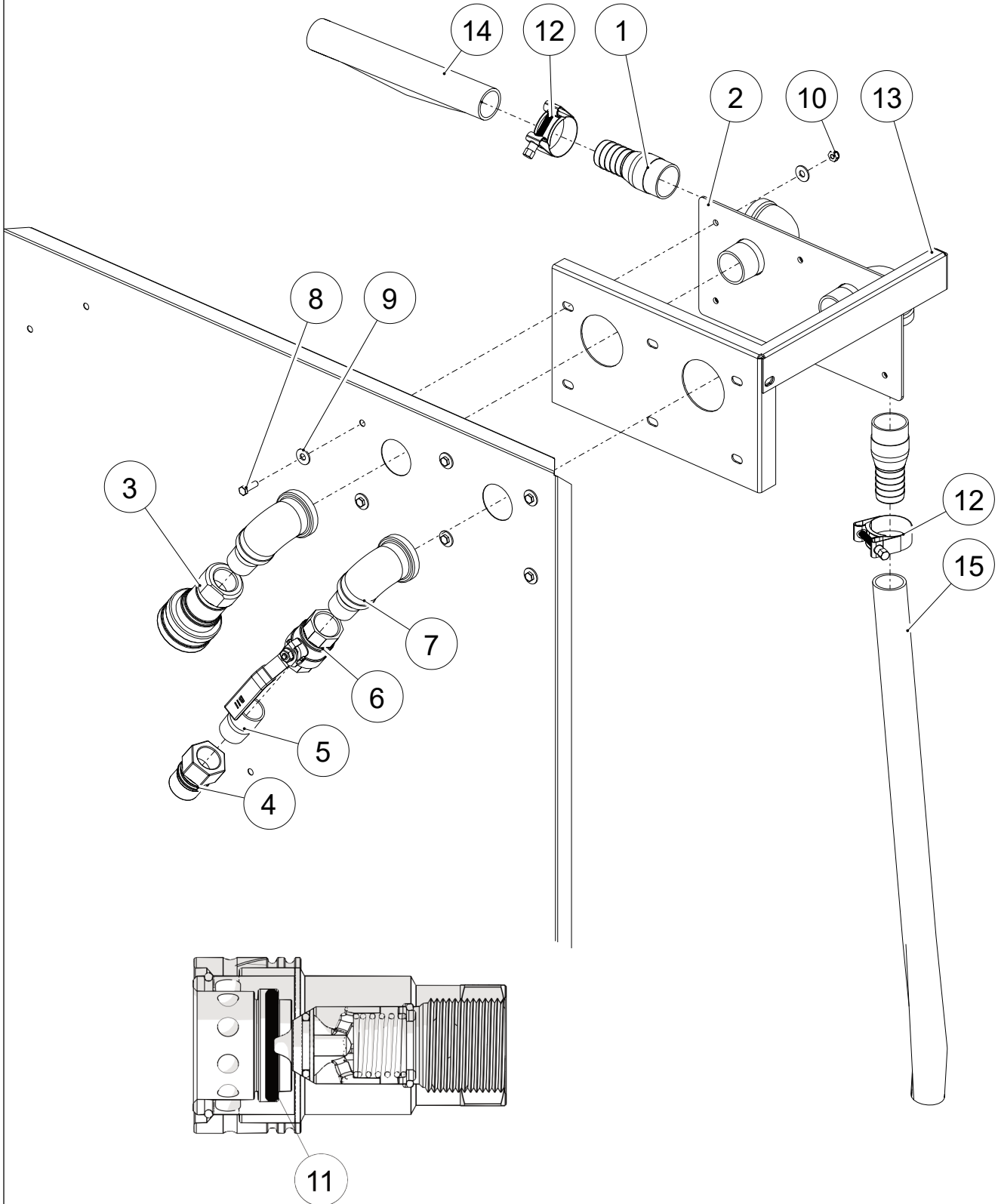
S/N: Current

## Coil Components

PAGE: 3.1.2

Item No.	Part No.	Description	Qty.
1	018-905659	COIL WTR 45X45 AL CW COP FTGS HEFA 600	1
2	011-703476	BSHG RDCG 1-1/2X1-1/4 BRS MXF NPT	2
3	011-901971	NIPL COMB 1-1/4NPTX1-1/4HB BRS	2
4	001-704678	CLP HOSE HEAVY DUTY 1.69-1.85 RNG (43-47mm)	2

**Coil Components**





## HEFA FAN COIL MODEL 600

S/N: 1046-01 -

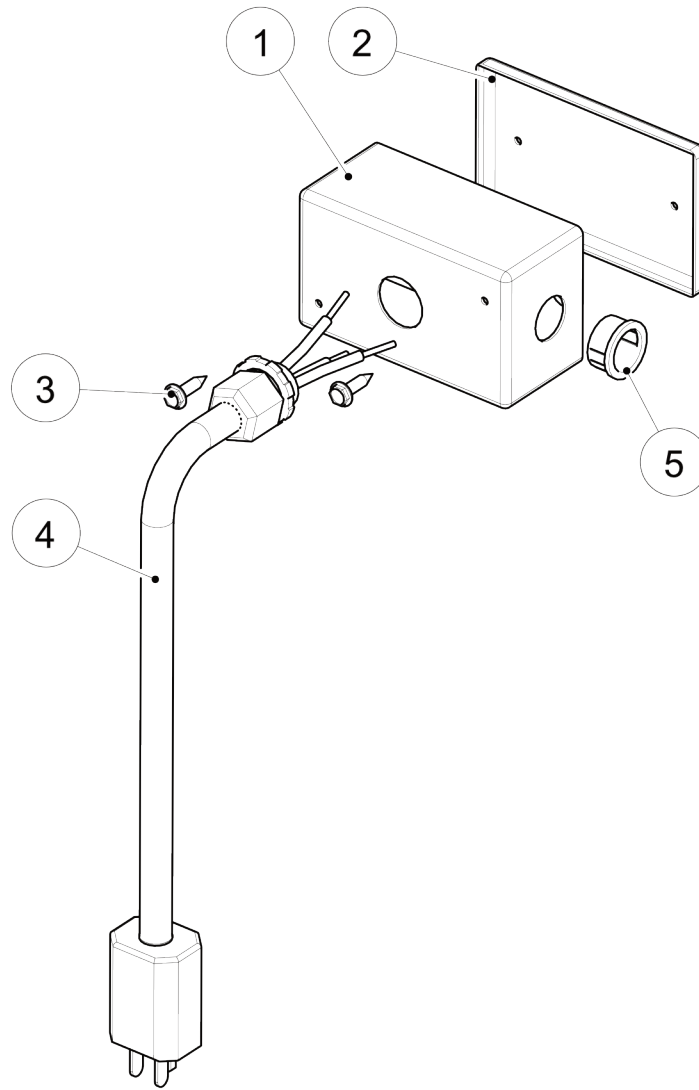
S/N: Current

PAGE: 3.1.4

### Coil Components

Item No.	Part No.	Description	Qty.
1	011-901971	NIPL COMB 1-1/4NPTX1-1/4HB BRS	2
2	010-701504	BRKT UNION	1
3	011-701374	QC CPLR BRS 1 60 SERIES	1
4	011-701375	QC NIPL BRS 1 60 SERIES	1
5	011-704690	NIPL 1X2 BRS	1
6	011-700366	VLV BALL 1 400WOG FL PT BRS CGA NPTF	1
7	018-905660	PKG PLMB 1-1/4RD CG ELB TO 1X2 NIPL HEFA 600	2
8	001-701482	BOLT 1/4X3/4 PLD GR5	6
9	001-700129	WSHR FLT 1/4 PLD	12
10	001-700042	NUT LKG NYL 1/4 UNC PLD	6
11	006-702957	O-RING 1IN QC CPLR (.141)	2
12	001-704678	CLP HOSE HEAVY DUTY 1.69-1.85 RNG (43-47mm)	2
13	004-906824	BRKT PLMB CORNER SPRT HEFA 600	1
14	013-700063	HOSE 1-1/4 VERSIFLO SUCT CW WIRE HLX	12IN
15	013-700063	HOSE 1-1/4 VERSIFLO SUCT CW WIRE HLX	27IN

**Electrical Components**





# HEFA FAN COIL MODEL 600

S/N: 1046-01 -

S/N: Current

PAGE: 4.1.2

## Electrical Components

Item No.	Part No.	Description	Qty.
1	002-800031	BOX HANDY 4X2 1/2KO	1
2	002-700698	CVR BOX UTIL 2X4	1
3	001-701597	SCRW THDCT 1/4-20X1/2HWHT-1	2
4	018-701249	PKG CORD 14/3X12	1
5	002-701115	BSHG KO 1/2	2
		Included in Item #4	
	002-700036	PLUG CORD MALE YEL 3PR 120V	
	002-700802	CABLE SOW14/3 NPRN CABTIRE	
	002-700925	TERM RING END 14-16 BLU #10 STUD	
	002-701131	LOCKNUT 1/2 STL CONDUIT	



# HEFA FAN COIL MODEL 600

S/N: 1046-01 -

S/N: Current

## Decals

PAGE: 5.1.1

1

2

3

4

5

6

7

8

9

11

10

12

14

13

Item No.	Part No.	Description	Qty.
1	003-700185	DECAL CHK COIL RGLR 2-1/2X1-1/2	1
2	003-700732	DECAL DRYAIR 16X2.68 05 BLUE VINYL R1	2
3	003-900371	DECAL ELEC SCHEM MOD200 W AOSMITH	1
4	003-701103	DECAL WARM AIR SPLY	1
5	003-701104	DECAL INTAKE AIR	1
6	003-903397	DECAL EXT CORD USE	1
7	003-903845	DECAL WARNING RISK OF SHOCK	1
8	003-903355	DECAL WARNING EXT CORD SHOCK	1
9	003-701524	DECAL CAUTION GLY SHUT VLV	1
10	003-701102	DECAL CAUT NONEXPLN PROOF	1
11	003-906693	DECAL HEFA 600	2
12	003-906544	DECAL DRYAIR HEAT DRY THAW CURE 16-3/4L	2
13	003-906392	DECAL WWW.DRYAIR.CA 15X1.77 NEW BLUE	2
14	003-906941	DECAL QR OP MAN HEFA 600	1





---

**HEFA Fan Coil Model 600**  
S/N: 1046-01 - Current

**Part No. 023-905791**  
**Rev. 01 05-02-2023**