



Heat

Dry

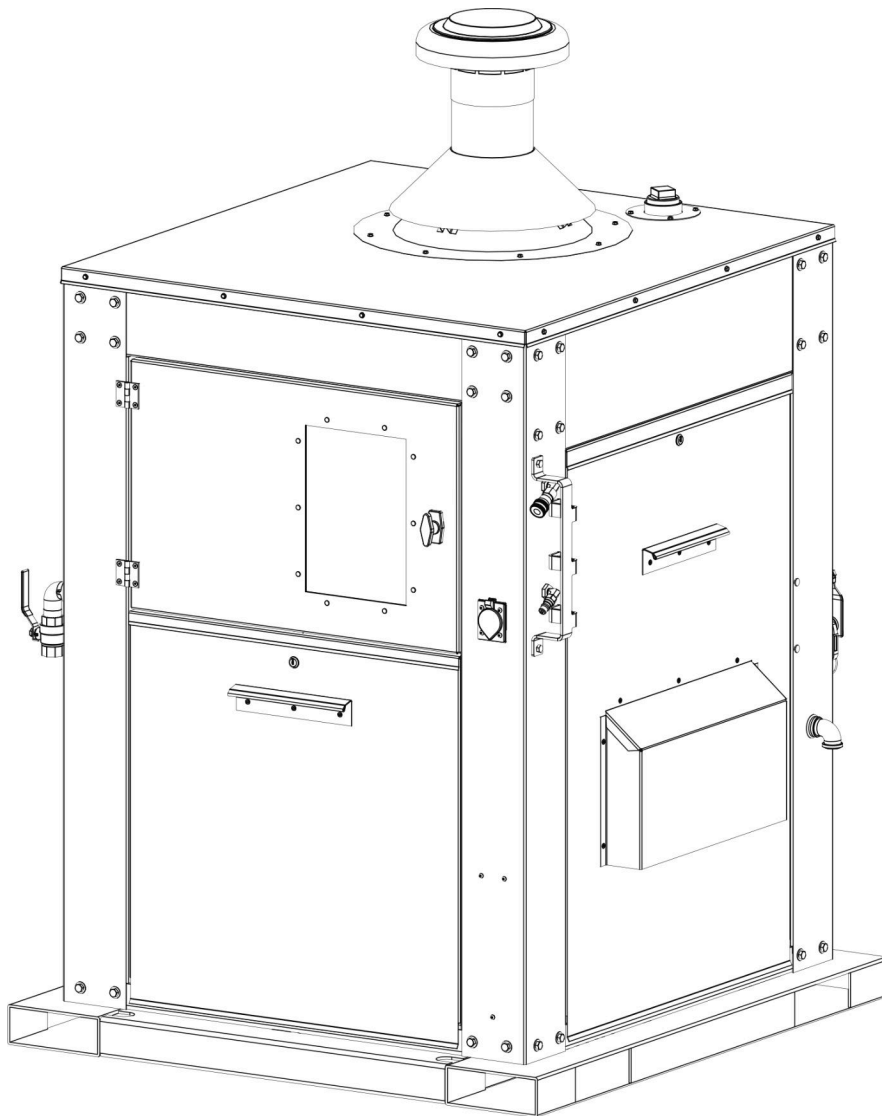
Thaw

Cure

# PARTS CATALOGUE

## Central Heating Unit

### 2100-0400 V2 Series



**DRYAIR MANUFACTURING CORP.**  
PO BOX 126, 400 SERVICE ROAD  
ST. BRIEUX, SK S0K 3V0  
CANADA  
[www.dryair.ca](http://www.dryair.ca)

Tel: 1 (306) 275-4848  
Toll-Free: 1 (888) 750-1700  
Fax: 1 (306) 275-4664  
Email: [parts@dryair.ca](mailto:parts@dryair.ca)



# Central Heating Unit 2100-0400 V2 Series Serial Number Location

**DRYAIR** P.O. Box 126  
400 Service Road  
St. Bonifac, SK, Canada  
S8K 3V0

DRYAIR Model:	2100-0400	Reference:	
Serial No.:		Prod. Sched.:	

Main Power	Natural Gas Burner	Propane Gas Burner
Volts: 120 V	Model: Rialto 40-C400	Model: Rialto 40-C400
Phase: 1	Fuel: Natural Gas	Fuel: Propane
Hz: 60 Hz	Calorific Value: 1000 BTU / ft <sup>3</sup>	Calorific Value: 2500 BTU / ft <sup>3</sup>
Max. Ampacity: 15A	Gas Pressure: 5" Min. - 7" Max. W.C.	Gas Pressure: 5" Min. - 7" Max. W.C.
Control Voltage: 120/24VAC	Manifold Pressure:	Manifold Pressure:
	Input:	Input:
	Output:	Output:

**Clearances:**

Sides:	24" (610mm) minimum
Flue Pipe:	36" (914mm) minimum
Floor:	0" (0mm) non-combustible

**TUV 300 US** **MADE IN CANADA** 023-905854

**DRYAIR** P.O. Box 126  
400 Service Road  
St. Bonifac, SK, Canada  
S8K 3V0

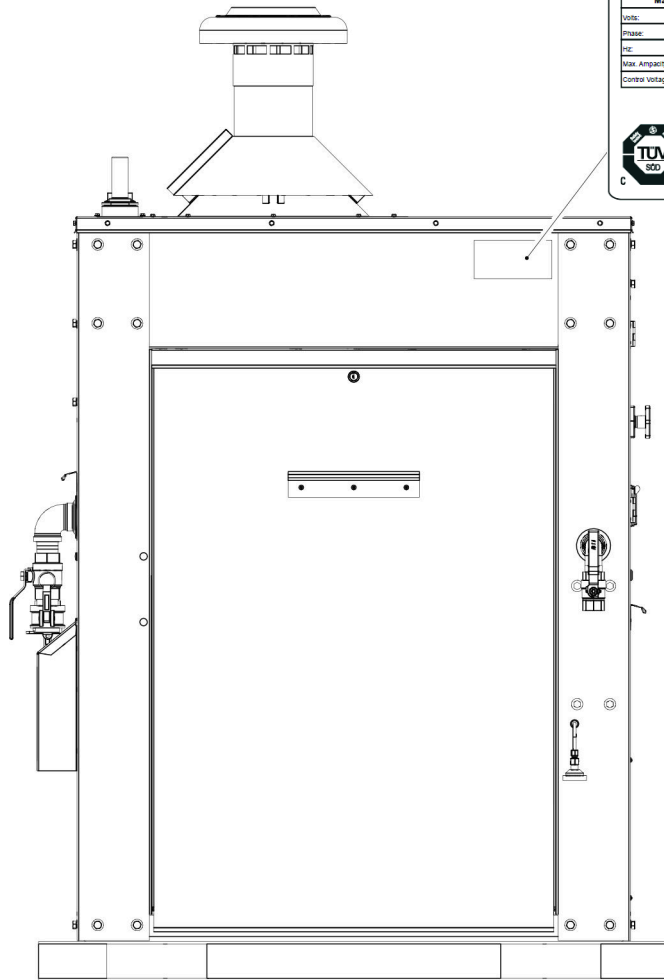
DRYAIR Model:		Reference:	
Serial No.:		Prod. Sched.:	

Main Power	Oil Burner	Natural Gas Burner	Propane Gas Burner
Volts: 120 V	Model: Rialto 40-F10	Model: Rialto 40-C400	Model: Rialto 40-C400
Phase: 1	Fuel: #2 Heating Oil	Fuel: Natural Gas	Fuel: Propane
Hz: 60 Hz	Calorific Value: 140,000 BTU / US Gal. 136,000 BTU / UK Gal.	Calorific Value: 1000 BTU / ft <sup>3</sup>	Calorific Value: 2500 BTU / ft <sup>3</sup>
Max. Ampacity: 15A	Output: 285,285 BTU/H 277,134 BTU/H	Gas Pressure: 5" Min. - 7" Max. W.C.	Gas Pressure: 5" Min. - 7" Max. W.C.
Control Voltage: 120/24VAC	Fuel Input: 2.47 US GPH	Manifold Pressure: 3.5" W.C.	Manifold Pressure: 5.0" W.C.
	Pump Pressure: 200 PSI	Input: 354,960 BTU/H	Input: 354,750 BTU/H
		Output: 284,878 BTU/H	Output: 290,000 BTU/H

**Clearances:**

Sides:	24" (610mm) minimum
Flue Pipe:	36" (914mm) minimum
Floor:	0" (0mm) non-combustible

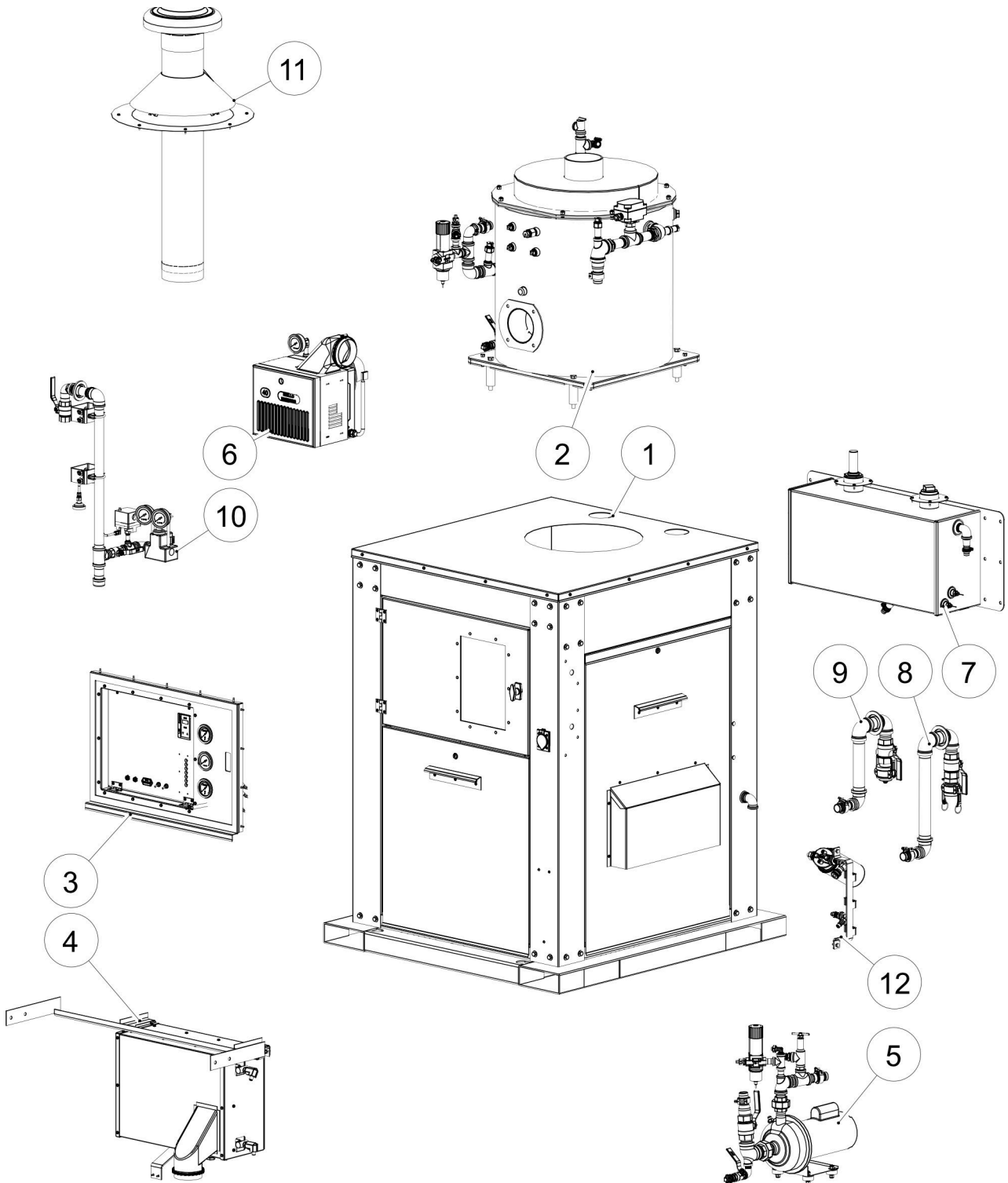
**TUV 300 US** **MADE IN CANADA** 023-905854





**Central Heating Unit  
2100-0400 V2 Series  
Table of Contents**

Cabinet .....	1.1.1
Front Door .....	1.1.3
Control Panel Door .....	1.1.5
Gas Supply Door .....	1.1.7
Side Door .....	1.1.9
Rear Door .....	1.1.11
Heat Exchanger .....	2.1.1
Control Panel .....	2.1.5
Air Preheater .....	2.1.7
Pump .....	2.1.9
Diesel Burner .....	2.1.13
NG/PN Burner .....	2.1.15
Glycol Tank .....	2.1.17
Supply Plumbing .....	2.1.19
Return Plumbing .....	2.1.21
Kamlock Package .....	2.1.23
Gas Train .....	2.1.25
Propane Regulator .....	2.1.27
Chimney .....	2.1.29
Fuel Connections .....	2.1.31
Hoses and Fuel Lines .....	3.1.1
Decals .....	4.1.1

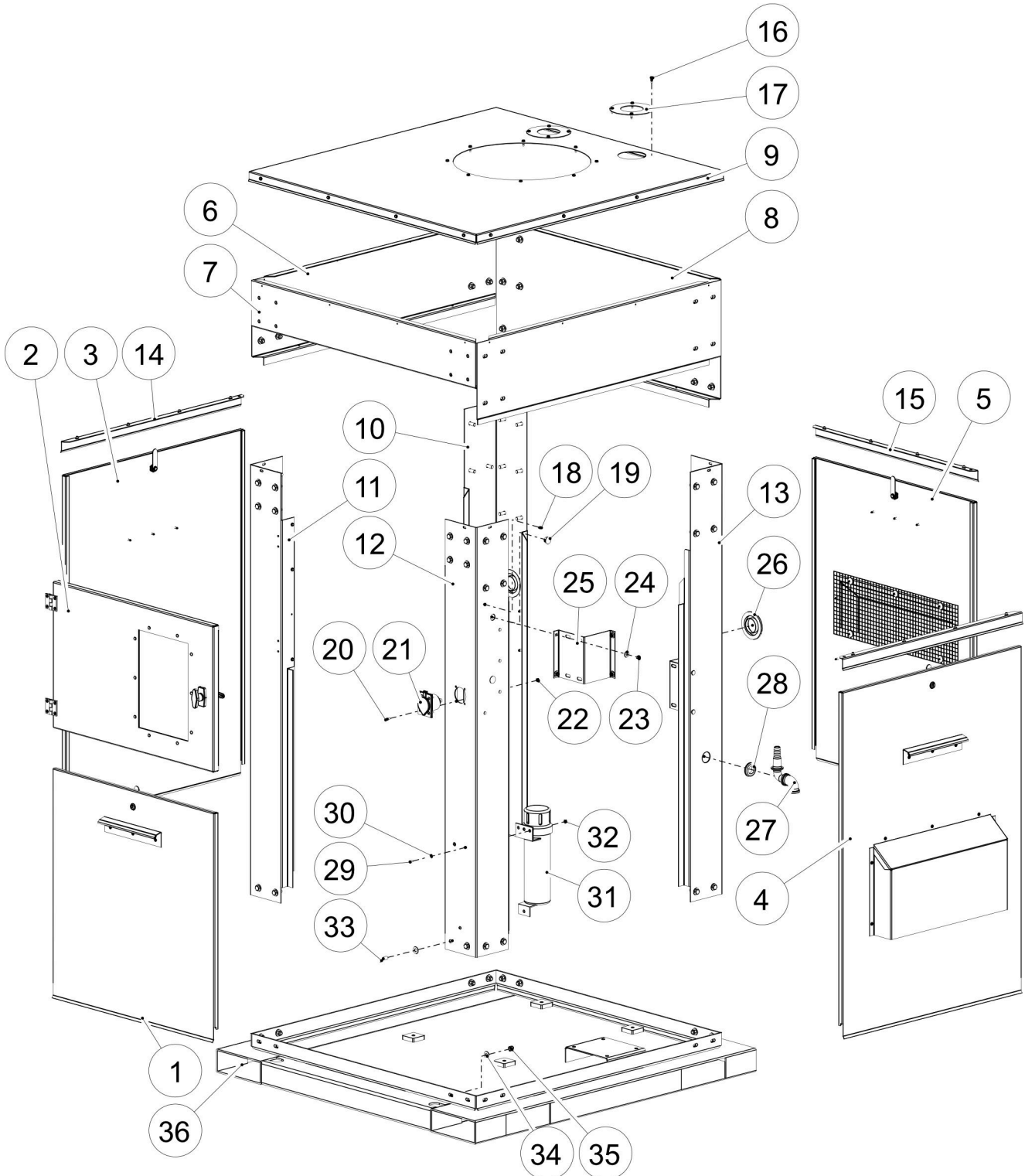




**Central Heating Unit  
2100-0400 V2 Series  
Master Assembly**

S/N: 22784 -  
S/N: Current  
PAGE:

Item No.	Part No.	Description	Page
1		CABINET - see page 1.1.1	
2		HEAT EXCHANGER - see page 2.1.1	
3		CONTROL PANEL - see page 2.1.5	
4		AIR AND FUEL PREHEATER - see page 2.1.7	
5		PUMP - see page 2.1.9	
6		BURNER - see page 2.1.13	
7		GLYCOL TANK - see page 2.1.17	
8		SUPPLY PLUMBING - see page 2.1.19	
9		RETURN PLUMBING - see page 2.1.21	
10		GAS TRAIN - see page 2.1.25	
11		CHIMNEY - see page 2.1.29	
12		FUEL CONNECTIONS - see page 2.1.31	

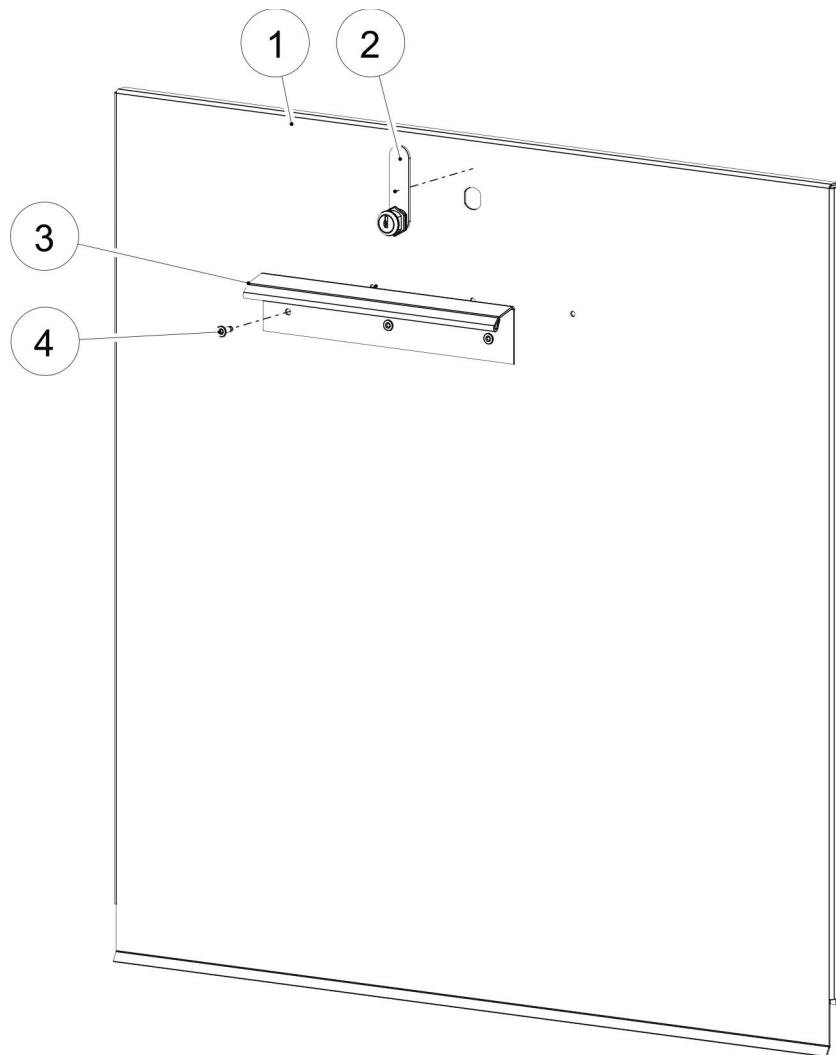




**Central Heating Unit  
2100-0400 V2 Series  
Cabinet**

S/N: 22784 -  
S/N: Current  
PAGE: 1.1.2

Item No.	Part No.	Description	Qty.
1		FRONT DOOR - see page 1.1.3	
2		CONTROL PANEL DOOR - see page 1.1.5	
3		GAS SUPPLY DOOR - see page 1.1.7	
4		SIDE DOOR - see page 1.1.9	
5		REAR DOOR - see page 1.1.11	
6	004-904646	PNL TOP RAIL SIDE 2100-0400	2
7	004-904641	PNL TOP RAIL FRONT 2100-0400	1
8	004-904645	PNL TOP RAIL REAR 2100-0400	1
9	004-904654	PNL ROOF 2100-0400	1
10	004-904638	CORNER POST REAR LEFT 2100-0400	1
11	004-904637	CORNER POST FRONT LEFT 2100-0400	1
12	004-904640	CORNER POST FRONT RIGHT 2100-0400	1
13	004-904639	CORNER POST REAR RIGHT 2100-0400	1
14	004-904653	RTNR DOOR SIDE 2100-0400	2
15	004-904652	RTNR DOOR REAR 2100-0400	1
16	001-703424	SCRW D/T 10-16X5/8 5/16HEX HD PLD	16
17	004-702478	DISC ROOF FLSHG MOD 2100 CAB R01	2
18	016-905091	PLUG PLSTC 5/16 ID HOLE	5
19	016-905090	PLUG PLSTC 3/4 ID HOLE	2
20	001-900439	SCRW MACH 10-24X3/4 SS UNC BTN-HD 1/8HEX-DR	4
21	002-703611	PLUG PNL MNT WTHPRF 15A 125V	1
22	001-703910	NUT LKG #10-24 SS UNC	4
23	001-700042	NUT LKG NYL 1/4 UNC PLD	8
24	001-700129	WSHR FLT 1/4 PLD	8
25	004-904655	BRKT PLMB 2100-0400	2
26	009-700034	GROM 1.52X2.625 RBR PIPE 1-1/4	2
27	018-702637	PKG PLMB GLY TANK OVFL MOD 2100	1
28	009-700192	GROM 1X1-3/8 RBR MOD 80 COIL	1
29	001-900439	SCRW MACH 10-24X3/4 SS UNC BTN-HD 1/8HEX-DR	3
30	001-703909	WSHR FLT #10 SS	3
31	017-902972	CASE OPR MNL TUBULAR	1
32	001-703910	NUT LKG #10-24 SS UNC	3
33	001-700804	BOLT 3/8X1 PLD GR5	52
34	001-700719	WSHR FLT 3/8 PLD	104
35	001-700721	NUT LKG NYL 3/8 UNC PLD	52
36	004-904612	BASE 2100-0400	1



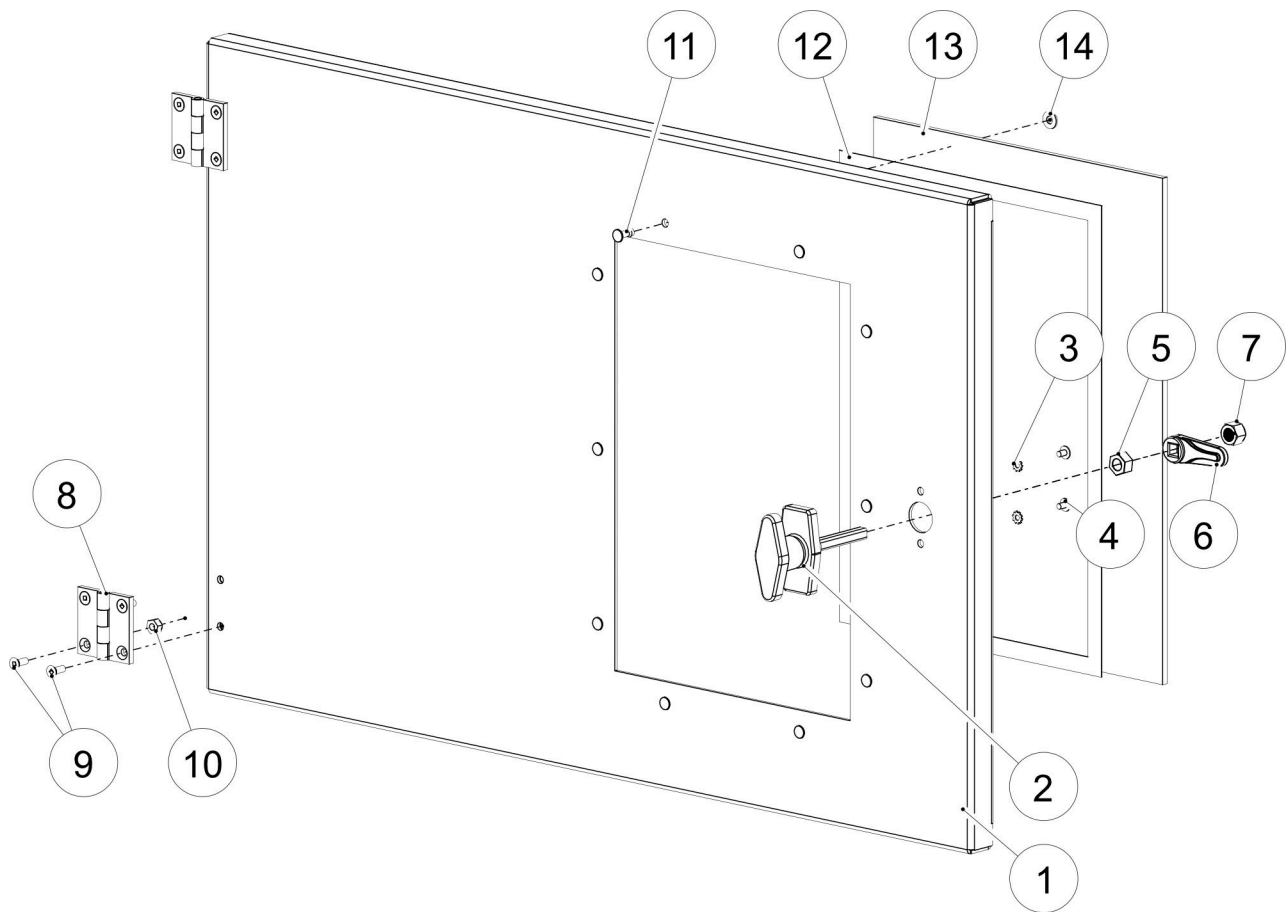




**Central Heating Unit  
2100-0400 V2 Series  
Front Door**

S/N: 22784 -  
S/N: Current  
PAGE: 1.1.4

Item No.	Part No.	Description	Qty.
	<b>018-904661</b>	<b>PKG FRONT DOOR 2100-0400</b> (Includes 1-4 & Key)	<b>1</b>
1	004-904662	PNL FRONT DOOR 2100-0400	1
2	001-702091	LOCK CAM 545 5/8X2-1/2 WR	1
3	004-701399	HNDL MOD2000 CAB RAYPAK R01	1
4	001-700803	RIVET 5/32 GRP .3125-.375 SS	3
		The following components may not be shown	
	001-702305	KEY FOR 545 CAM LOCK 5/8 X 2-1/2	

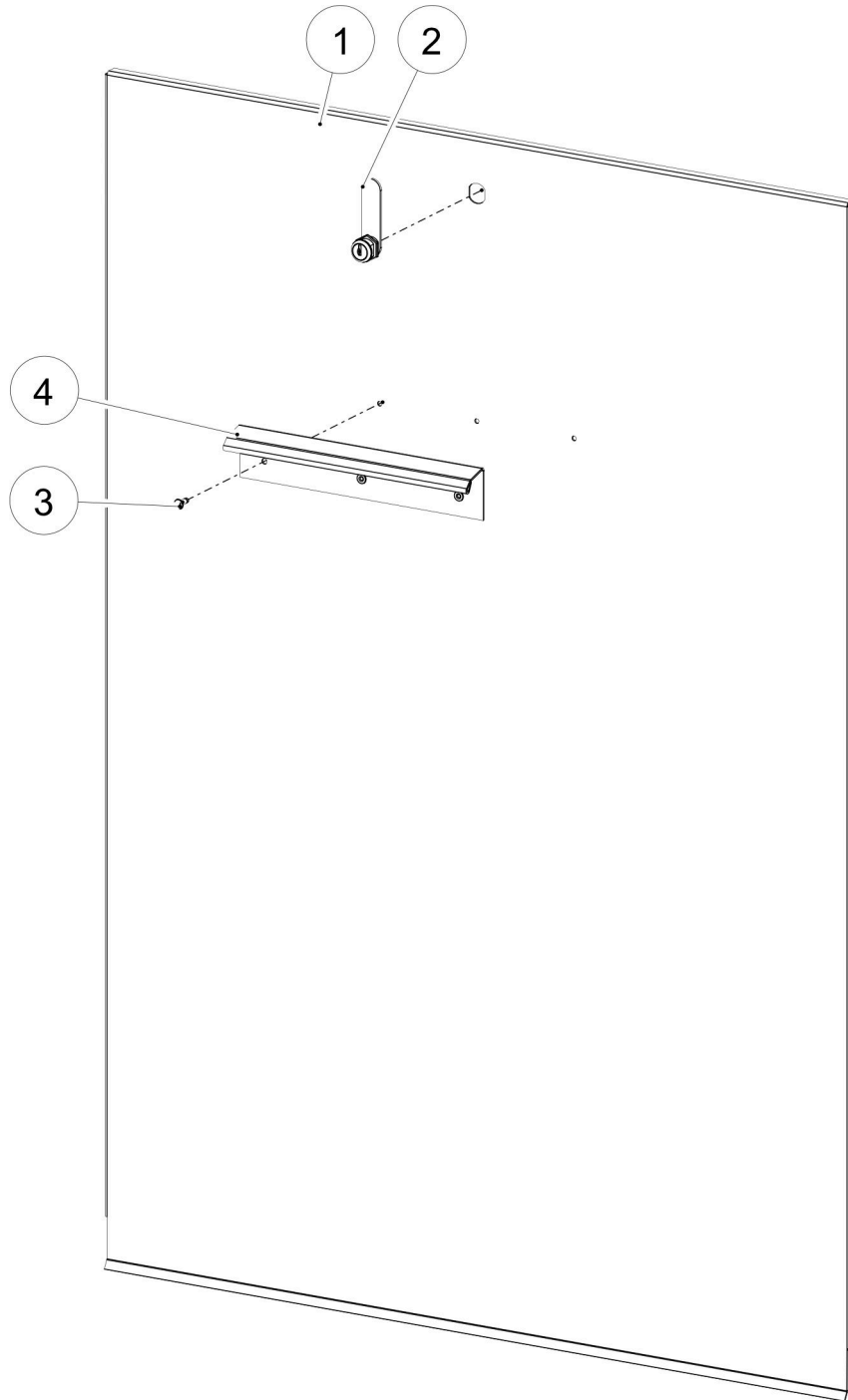




**Central Heating Unit  
2100-0400 V2 Series  
Control Panel Door**

S/N: 22784 -  
S/N: Current  
PAGE: 1.1.6

Item No.	Part No.	Description	Qty.
	<b>018-904643</b>	<b>ASSY DOOR CNTRL PNL 2100-0400</b> (Includes 1-14)	<b>1</b>
	<b>018-905858</b>	<b>PKG HNDL T-LKG CHROME 2.5IN CH751 CW CAM &amp; NUT</b> <small>(Includes 2-7 &amp; Key)</small>	<b>1</b>
1	004-904644	PNL DOOR 18.75X28.5 CW WINDOW	1
2	017-904514	HNDL T-LKG CHROME 2.5IN THRD SHAFT CH751 KEY	1
3	001-900778	WSHR STAR #8 STUD EXT TOOTH	2
4	001-900779	SCRW MACH 8-32X1/4 PANHEAD	2
5	001-704695	NUT 3/8-24 UNF	1
6	017-704694	LOCK CAM C15 ZINC	1
7	001-903811	NUT LKG NYL 3/8 UNF 24THRD GR5 PLD	1
8	017-900607	HINGE SURFACE-MT 316 SS POLISHED 2H X 2W	2
9	001-904283	SCRW MACH 10-24X1/2L FLAT HD ZNC SQ DR	8
10	001-700805	NUT LKG 10-24 PLD	8
11	001-901250	RIVET 3/16D X 1/2GRP ALUM	10
12	009-703960	TAPE 3M VHB-5925 2-SIDED 1/2W	5 FT
13	004-904675	WINDOW POLY CARB 10.75X14.5	1
14	001-701185	WSHR FLT #10 SAE PLD	10
		The following components may not be shown	
	006-904755	KEY CH751 T-LKG HNDL CHROME 4IN	

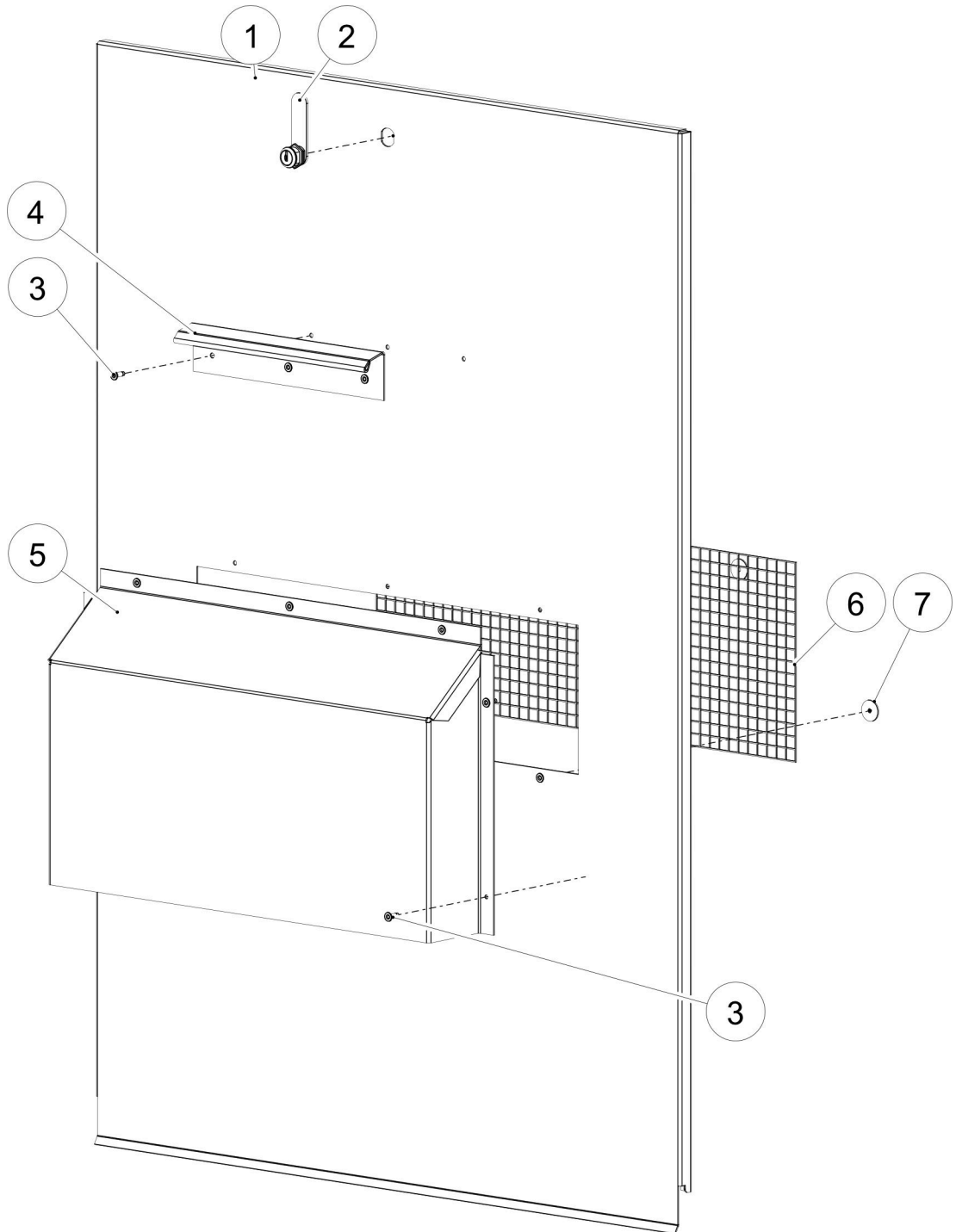




**Central Heating Unit  
2100-0400 V2 Series  
Gas Supply Door**

S/N: 22784 -  
S/N: Current  
PAGE: 1.1.8

Item No.	Part No.	Description	Qty.
	<b>018-904700</b>	<b>PKG DOOR GAS SPLY SIDE 2100-0400</b> (Includes 1-4 & Key)	<b>1</b>
1	004-904701	PNL DOOR GAS SPLY SIDE 2100-0400	1
2	001-702091	LOCK CAM 545 5/8X2-1/2 WR	1
3	001-700803	RIVET 5/32 GRP .3125-.375 SS	3
4	004-701399	HNDL MOD2000 CAB RAYPAK R01	1
		The following components may not be shown	
	001-702305	KEY FOR 545 CAM LOCK 5/8 X 2-1/2	

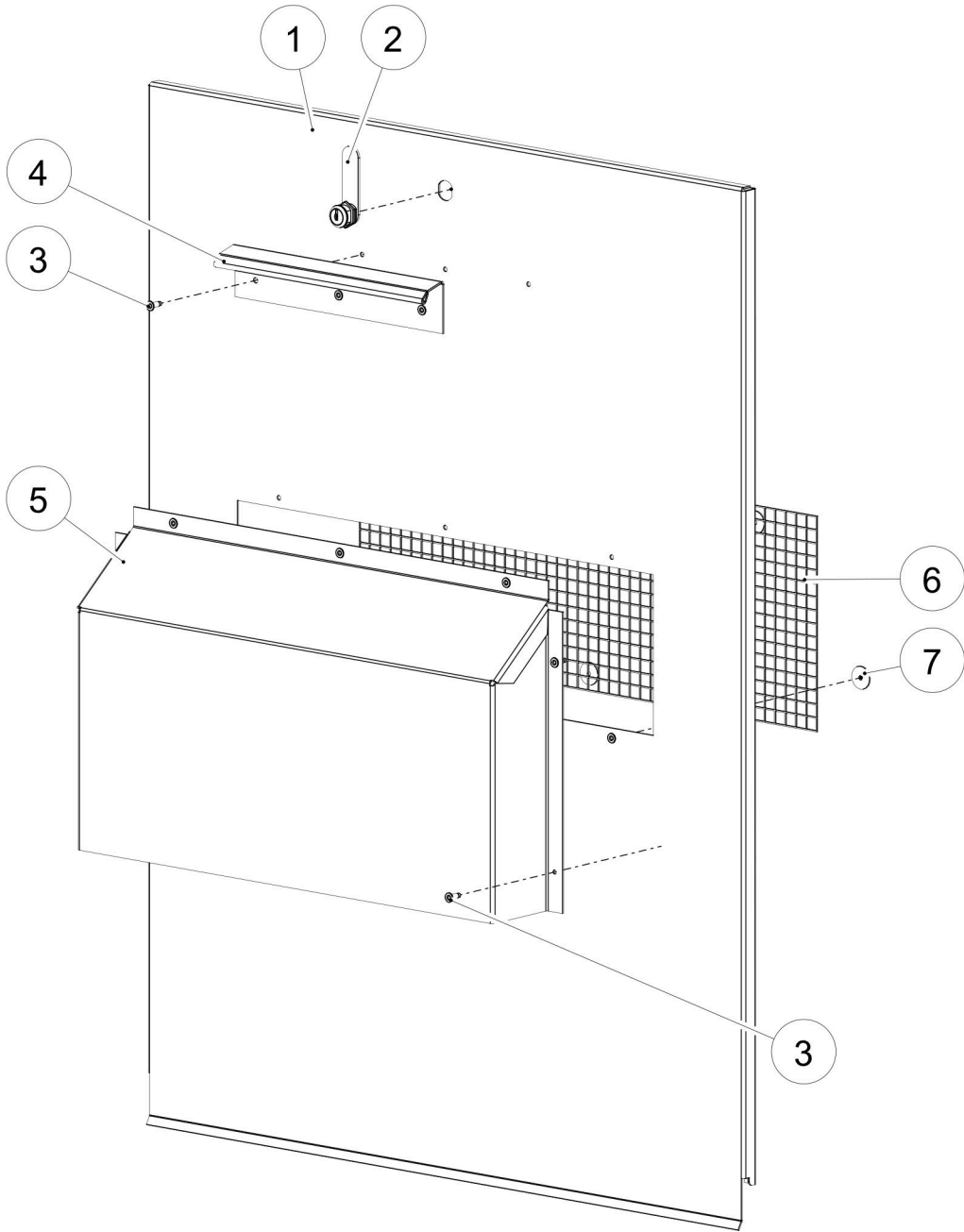




**Central Heating Unit  
2100-0400 V2 Series  
Side Door**

S/N: 22784 -  
S/N: Current  
PAGE: 1.1.10

Item No.	Part No.	Description	Qty.
	<b>018-904659</b>	<b>PKG SIDE DOOR 2100-0400</b> (Includes 1-7 & Key)	<b>1</b>
1	004-904660	PNL SIDE DOOR 2100-0400	1
2	001-702091	LOCK CAM 545 5/8X2-1/2 WR	1
3	001-700803	RIVET 5/32 GRP .3125-.375 SS	13
4	004-701399	HNDL MOD2000 CAB RAYPAK R01	1
5	004-702476	VENT/INTK HOOD MOD 2100 CAB R01	1
6	010-702487	SCREEN 1/2X1/2X8WX22L	1
7	001-701208	WSHR FNDR 7/8X5/32 PLD	6
		The following components may not be shown	
	001-702305	KEY FOR 545 CAM LOCK 5/8 X 2-1/2	



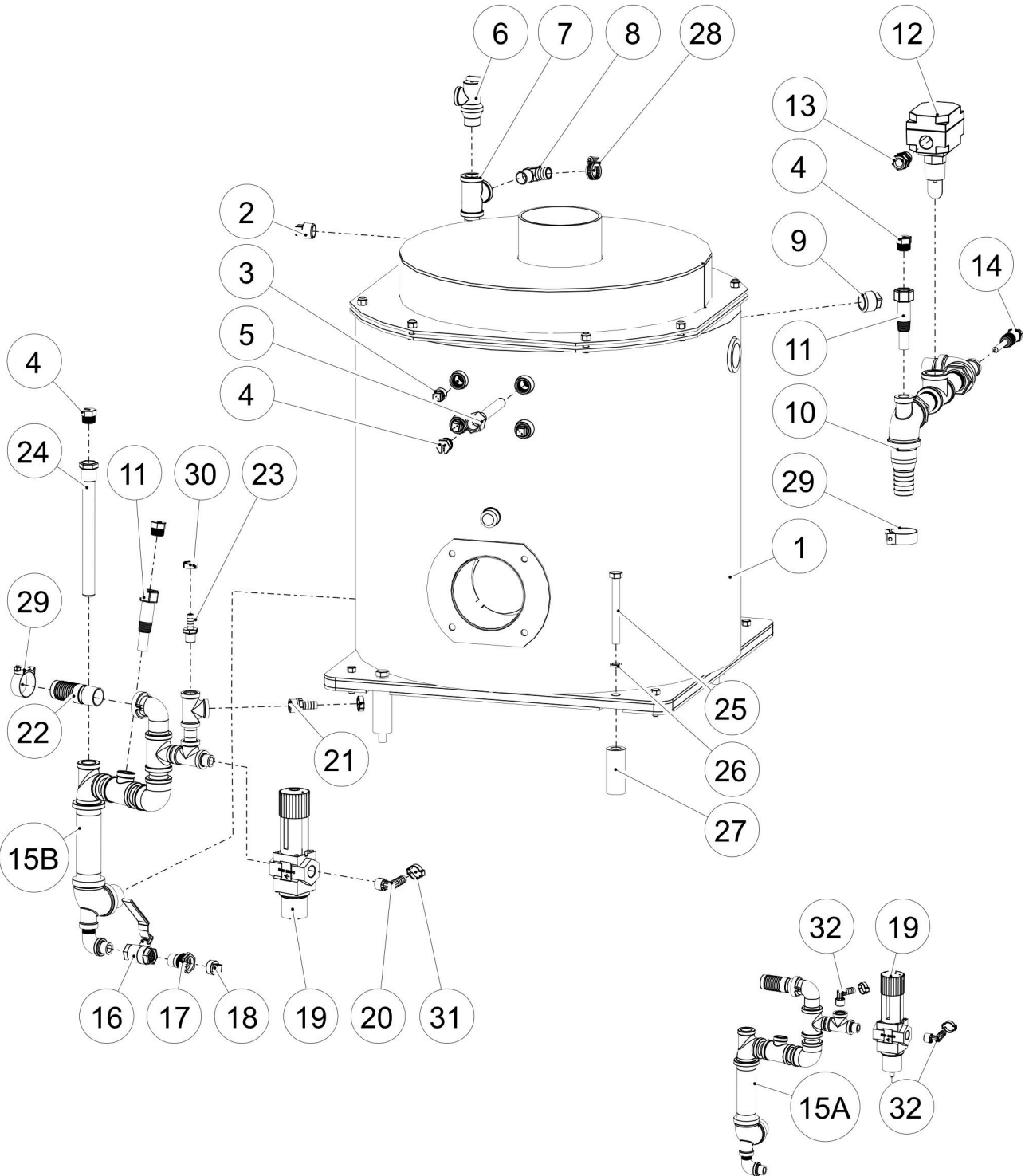




**Central Heating Unit  
2100-0400 V2 Series  
Rear Door**

S/N: 22784 -  
S/N: Current  
PAGE: 1.1.12

Item No.	Part No.	Description	Qty.
	<b>018-904663</b>	<b>PKG REAR DOOR 2100-0400</b> (Includes 1-7 & Key)	<b>1</b>
1	004-904664	PNL REAR DOOR 2100-0400	1
2	001-702091	LOCK CAM 545 5/8X2-1/2 WR	1
3	001-700803	RIVET 5/32 GRP .3125-.375 SS	13
4	004-701399	HNDL MOD2000 CAB RAYPAK R01	1
5	004-702476	VENT/INTK HOOD MOD 2100 CAB R01	1
6	010-702487	SCREEN 1/2X1/2X8WX22L	1
7	001-701208	WSHR FNDR 7/8X5/32 PLD	1
		The following components may not be shown	
	001-702305	KEY FOR 545 CAM LOCK 5/8 X 2-1/2	

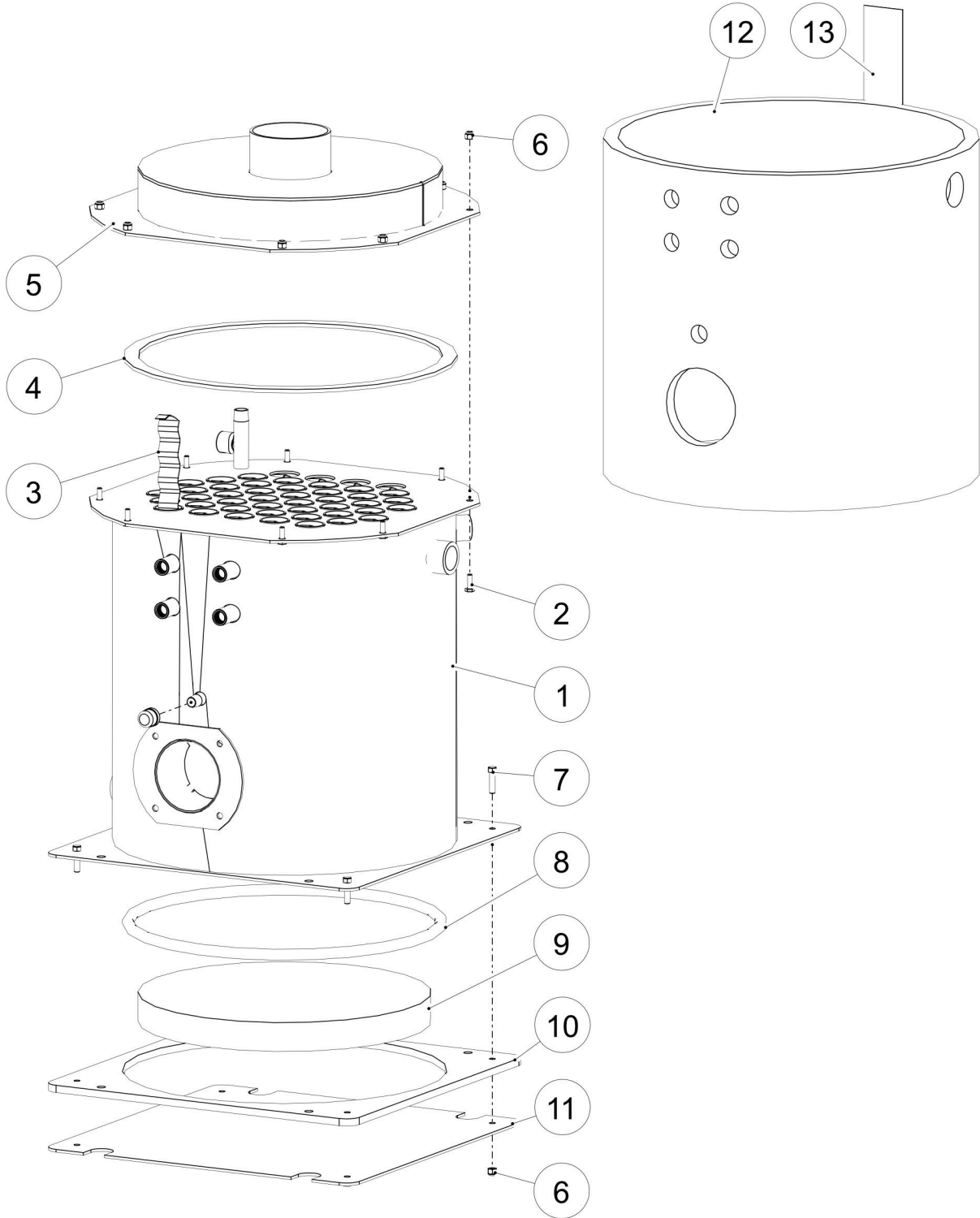




**Central Heating Unit  
2100-0400 V2 Series  
Heat Exchanger**

S/N: 22784 -  
S/N: Current  
PAGE: 2.1.2

Item No.	Part No.	Description	Qty.
	<b>018-904780</b>	<b>PKG HEAT EXCHANGER 2100-0400</b> (Includes 1-15A,16-20, 24)	<b>1</b>
	<b>018-905085</b>	<b>PKG HEAT EXCHANGER 2100-0400 DG</b> (Includes 1-15B, 16-20,24)	<b>1</b>
1		HEAT EXCHANGER - see page 2.1.3	
2	011-702703	PLUG BRS 3/4 NPT SQ HD	1
3	011-702702	PLUG BRS 1/2 NPT SQ HD	3
4	005-702757	NUT SPLIT WELLCAP 3/4FINE THREAD	4
5	005-702593	WELL THERM BRS 6-1/4IN .385 BORE 1/2IN NPT	1
6	006-703049	VLV SAFETY PRESS RLF 375MBTU 30PSI 3/4MPT	1
7	011-703902	TEE 3/4 BRS	1
8	011-704084	NIPL COMB 3/4NPTX3/4HB 90DEG BRS	1
9	011-702704	PLUG BRS 1 NPT SQ HD	1
10	018-904635	PKG PLMB HE SPLY 2100-0400	1
11	005-900590	WELL THERM BRS 4 IN .385BORE 1/2MPT 1-5/8INSER	2
12	005-904258	SWITCH FLOW F261KAH-V01C 1NPT	1
13	002-704262	CONN STRN/RLF 1/2 .24-.47 CE/CSA	1
14	005-704272	WELL THERM BULB ASSY 1/2IN NPT	1
15A	018-904634	PKG PLMB HE RTRN 2100-0400	1
15B	018-905084	PKG PLMB HE RTN 2100-0400 DG	1
16	011-700115	VLV BALL 1/2 400WOG STD BRS CGA NPTF	1
17	011-700404	CPLR FEM GARD THD 1/2XSWVL NPTM	1
18	011-704470	PLUG GARDEN HOSE MALE BRS	1
19	005-702506	VLV DANFOSS 1/2IN AVTB 15 20-60 DEG C TEMP RNG	1
20	011-704699	NIPL COMB 1/2NPTX1/2HB 90DEG BRS	1
21	011-702565	NIPL COMB 1/2NPTX1/2HB BRS	1
22	011-702058	NIPL COMB 1X1-1/4 BLK PIPE HB PNTD BLK	1
23	011-702563	NIPL COMB 1/2NPTX3/8HB BRS	1
24	005-700204	WELL F/AVTA/B 3/4 BRS BULB	1
25	001-703657	BOLT 1/2X4-1/2 PLD GR5	4
26	001-700938	WSHR LOCK 1/2 PLD	4
27	004-904256	DOM 1-1/4ODX11/16ID 3L PNTD BLK	4
28	001-702087	CLP HOSE HAS10 SLTD HEX HD SS	1
29	001-704669	CLP HOSE HEAVY DUTY 1.57-1.69 RNG (40-43mm)	2
30	001-702551	CLP 2-EAR #18SS - 3/8ID HOSE	1
31	001-702552	CLP 2-EAR #22SS - 1/2ID HOSE	2
32	011-704699	NIPL COMB 1/2NPTX1/2HB 90DEG BRS	2

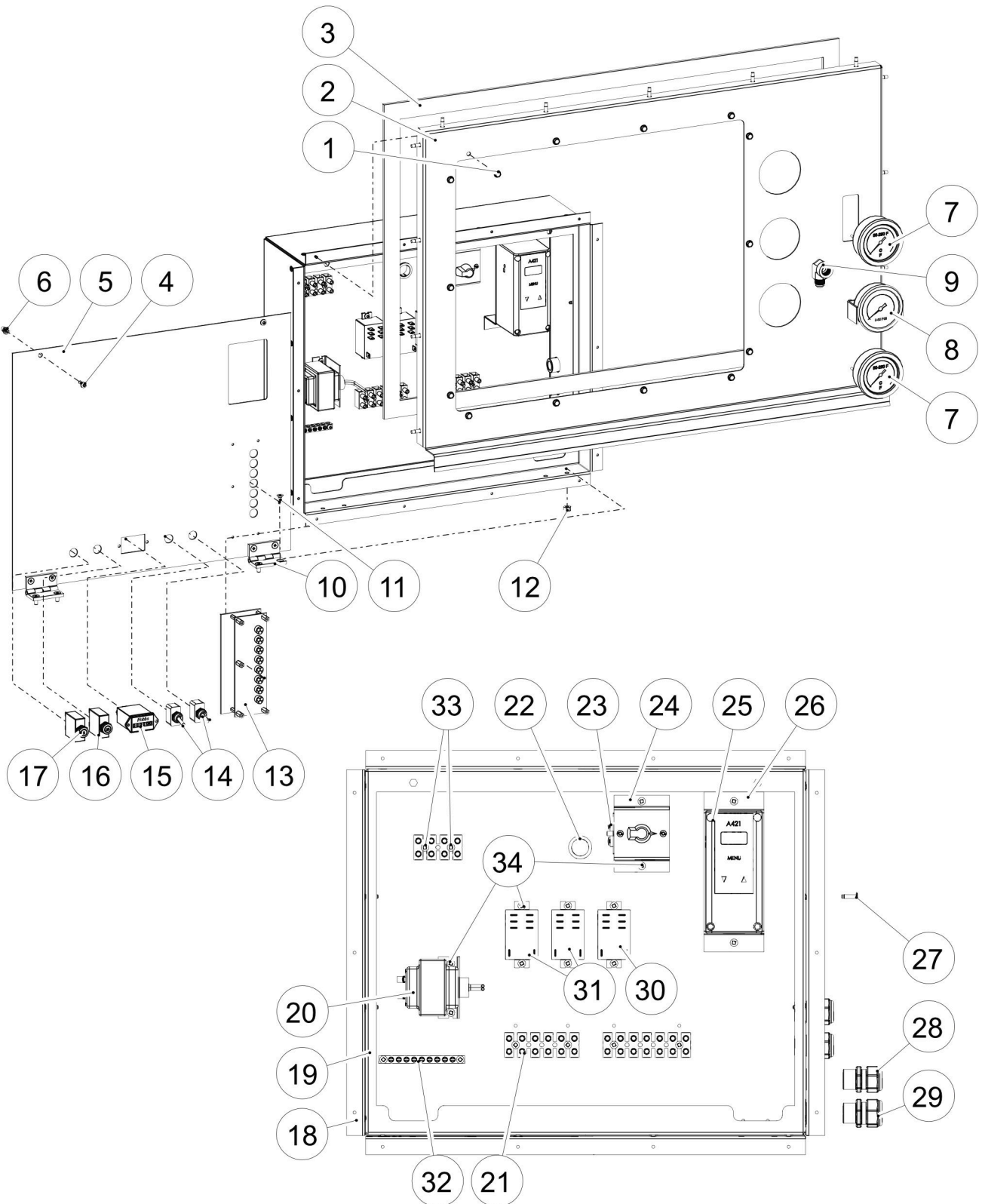




**Central Heating Unit  
2100-0400 V2 Series  
Heat Exchanger**

S/N: 22784 -  
S/N: Current  
PAGE: 2.1.4

Item No.	Part No.	Description	Qty.
	<b>018-904636</b>	<b>PKG HEAT EXCH 2100-0400</b> (Includes 1-13)	<b>1</b>
1	004-903411	WELDMENT HEAT EXCHANGER 2100-0300	1
2	001-700804	BOLT 3/8X1 PLD GR5	8
3	004-903427	BAFFLE SMALL HEAT EXCHANGER	36
4	021-704342	GSKT HEAT RESIST 1/4x1	6 FT
5	004-904667	COV TOP 2100-0400	1
6	001-700721	NUT LKG NYL 3/8 UNC PLD	12
7	001-700720	BOLT 3/8X1-1/2 PLD GR5	4
8	021-704343	GSKT HEAT RESIST 3/4IN DIA	6 FT
9	021-704341	INSUL HEAT RESIST 19-7/8IN OD 2IN THK	1
10	004-704338	PC 1/2 A36 SPCR BOTTOM HEAT EXCHANGER	1
11	004-704339	PC 3/16 A36 COV BOTTOM HEAT EXCHANGER	1
12	004-903468	INSUL HEAT EXCHANGER WRAP 2100-0150	1
13	001-702508	TAPE FSK 3IN X 150FT	8 IN

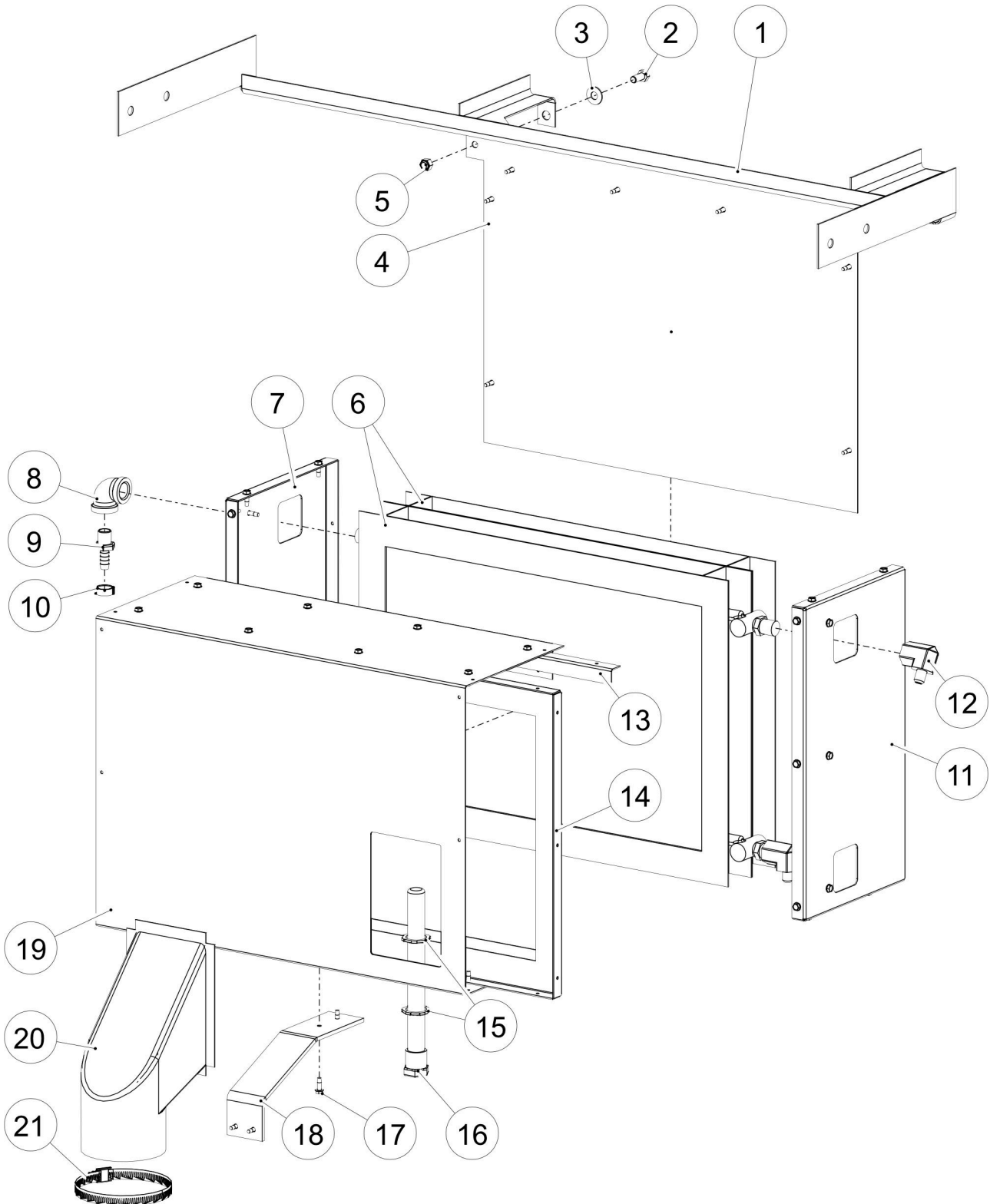




**Central Heating Unit  
2100-0400 V2 Series  
Control Panel**

S/N: 22784 -  
S/N: Current  
PAGE: 2.1.6

Item No.	Part No.	Description	Qty.
1	001-703424	SCRW D/T 10-16X5/8 5/16HEX HD PLD	14
2	004-904642	PNL GAUGE ASSY 2100-0400	1
3	009-701083	WS 3/16X1 NEOPRENE	8 FT
4	001-704515	SCRW MACH 10-24X1/2 SS UNC BTN HD 1/8HEX DR	2
5	004-904633	PNL CVR CNTRL 2100-0400	1
6	001-703564	INSERT THD 10-24 HEX BODY	2
7	005-701073	GAUGE TEMP 60IN CPLRY 40-240DEG F WIKA	2
8	005-703489	GAUGE PRESS 0-60PSI PNL 2-1/2IN WIKA	1
9	011-902115	ADPTR 90ELB #6JICX1/4 FPT STL	1
10	017-900607	HINGE SURFACE-MT 316 SS POLISHED 2H X 2W	2
11	001-904283	SCRW MACH 10-24X1/2L FLAT HD ZNC SQ DR	8
12	001-703910	NUT LKG #10-24 SS UNC	8
13	005-702514	BOARD LED 6GRN-110V 2RED-24V	1
14	002-703616	SWITCH TGL SPST 20A 125V 1/4 SPADE TERM	2
15	002-703051	METER HOUR 120VAC RECT 2-SCRW	1
16	002-704294	BRKR CKT 20A PUSH TO RESET	1
17	002-903711	BRKR CIR 2A SP PUSH TO RESET	1
18	004-904631	BOX ELEC ENCL 2100-0400	1
19	004-904632	PNL WINDOW ELEC ENCL 2100-0400	1
20	006-701213	XFMR 40VA 120V 60HZ 24V CLASS 2	1
21	002-903908	TERM STRIP 12POLE .531IN SEP 50A	3
22	002-701115	BSHG KO 1/2	2
23A	006-701532	HI-LIMIT G1-11452 (1223)	1
23B	006-904930	KNOB HI LIMIT PLASTIC 1-1/4 HEAD 8-32 SET SCREW	1
24	004-905259	BRKT HI-LIMIT(RANCO) PNTD GREY	1
25	005-903333	CONT TEMP A421ABC-04C -40 TO 212F	1
26	004-905258	BRKT RISER A421 CNTRL PNTD GREY	1
27	001-701775	RIVET 5/32D GRP1/2	16
28	002-704262	CONN STRN/RLF 1/2 .24-.47 CE/CSA	3
29	002-704769	CONN STRN/RLF 1/2 .39-.55 CE/CSA	1
30	002-900394	RELAY 24V DPDT 7500VAC NO 2500VAC NC	1
31	002-901417	RELAY 120V DPDT FINDER 66.82	2
32	002-900417	BAR GND 9-TERM W-NUTS	1
33	001-704571	SCRW SH MET #8x1 PAN HD SQ SS	8
34	001-702775	SCRW SH MET #8X1/2 PAN HD	12
		The following parts may not be shown	
	005-906611	SNSR TEMP JOHNSON A99BB-200C 6-1/2FT LENGTH (Replacement sensor only)	1



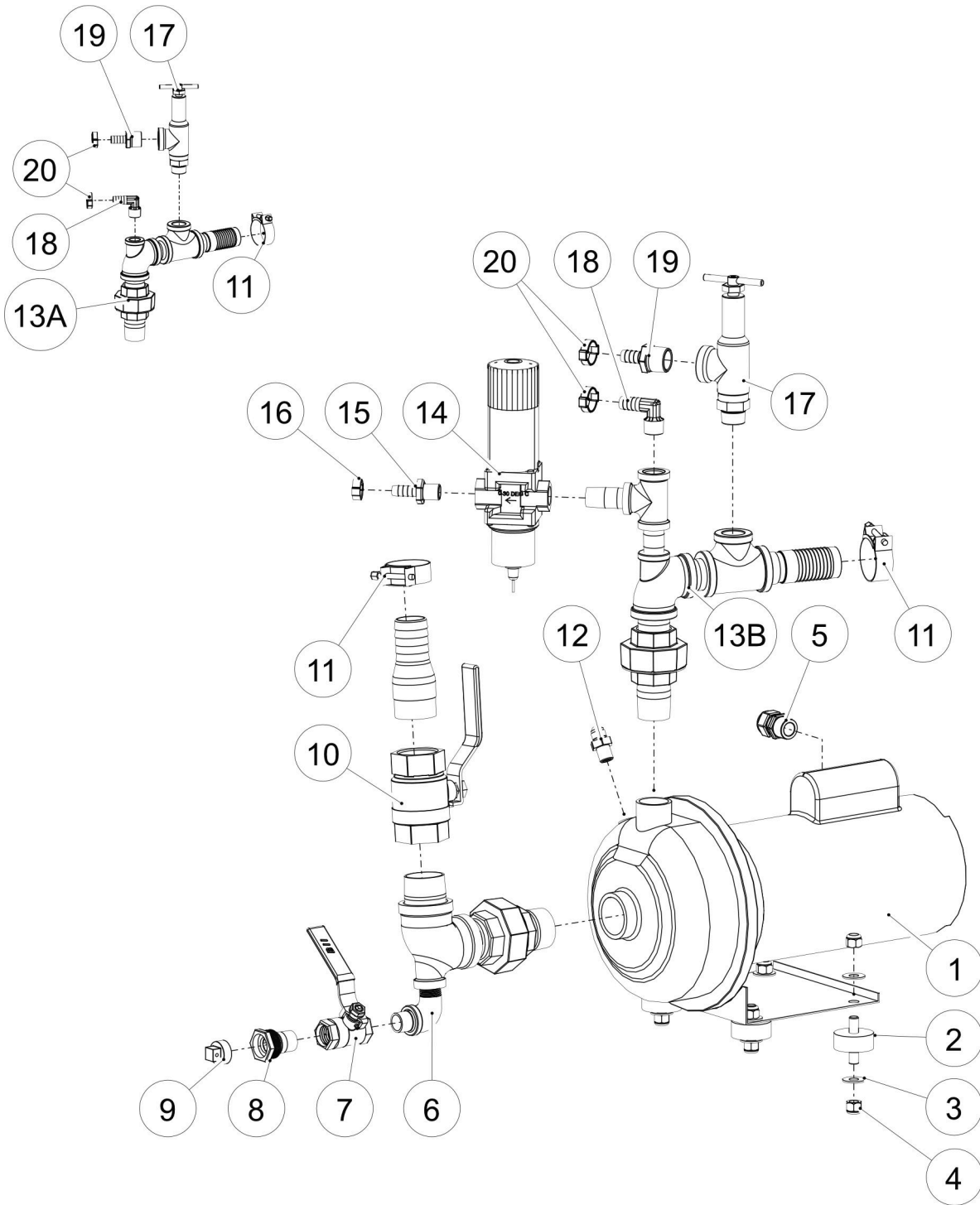




**Central Heating Unit  
2100-0400 V2 Series  
Air Preheater**

S/N: 22784 -  
S/N: Current  
PAGE: 2.1.8

Item No.	Part No.	Description	Qty.
1	004-905072	BRKT PHTR HANGER 2100-0400	1
2	001-700958	BOLT 5/16X3/4 PLD GR5	2
3	001-700742	WSHR FLT 5/16 PLD	2
4	004-905068	PNL BACK AIR-FUEL PRE-HTR 2100-0400	1
5	001-700741	NUT LKG NYL 5/16 UNC PLD	2
6	012-702504	COIL AIR PREHEAT 12X18X2 ROW-8 FPI 1/2IN MPT	2
7	004-904268	PNL END LEFT AIR-FUEL PRE-HTR 200GTS	1
8	011-702608	ELB 1/2X90DEG BRS NPTF	2
9	011-702563	NIPL COMB 1/2NPTX3/8HB BRS	2
10	001-702551	CLP 2-EAR #18SS - 3/8ID HOSE	2
11	004-904269	PNL END RGHT AIR-FUEL PRE-HTR 200GTS	1
12	011-901442	ELB #6JICX1/2NPTF	2
13	004-904270	ANG COIL RTNR AIR-FUEL PRE-HTR 200GTS	1
14	004-904271	PNL WINDOW AIR-FUEL PRE-HTR	1
15	002-701133	LOCKNUT 3/4 STL CONDUIT	2
16	005-700204	WELL F/AVTA/B 3/4 BRS BULB	1
17	001-703424	SCRW D/T 10-16X5/8 5/16HEX HD PLD	44
18	004-905074	BRKT PHTR SPRT 2100-0400	1
19	004-905067	BODY AIR-FUEL PRE-HTR 2100-0400	1
20	004-901974	DUCT TOP TAKE OFF 4IN	1
21	001-901990	CLP HOSE 4IN SLTD HEX HD	1

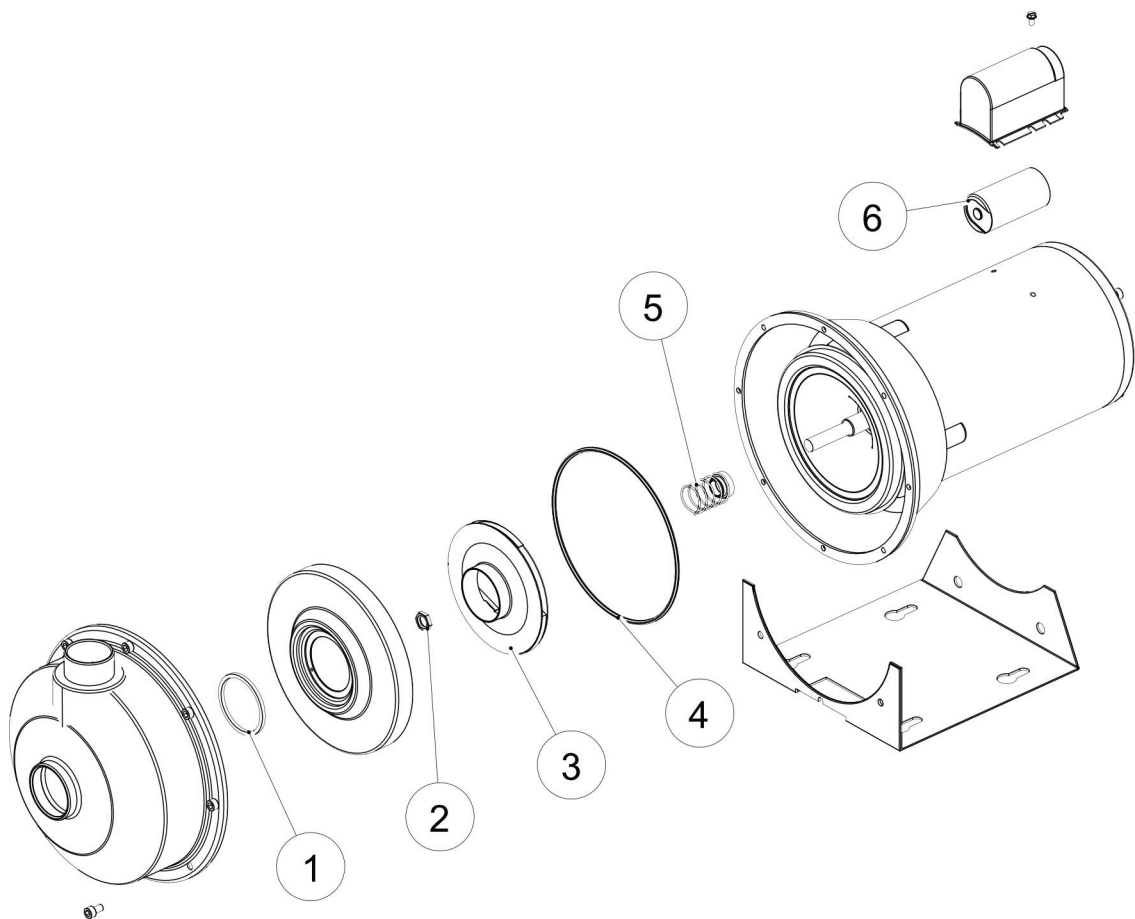




**Central Heating Unit  
2100-0400 V2 Series  
Pump**

S/N: 22784 -  
S/N: Current  
PAGE: 2.1.10

Item No.	Part No.	Description	Page
1	012-800052	PUMP - see page 2.1.11	
2	001-902055	MOUNT VIB NEOPRENE 3-8X5-8 THREAD 1 9-16 IN DIA	4
3	001-700719	WSHR FLT 3/8 PLD	8
4	001-700721	NUT LKG NYL 3/8 UNC PLD	8
5	002-704262	CONN STRN/RLF 1/2 .24-.47 CE/CSA	1
6	018-904628	PKG PLMB PUMP RTRN 2100-0400	1
7	011-700115	VLV BALL 1/2 400WOG STD BRS CGA NPTF	1
8	011-700404	CPLR FEM GARD THD 1/2XSWVL NPTM	1
9	011-704470	PLUG GARDEN HOSE MALE BRS	1
10	011-700178	VLV BALL 1-1/4 400WOG FL PT BRS CGA NPTF	1
11	001-704669	CLP HOSE HEAVY DUTY 1.57-1.69 RNG (40-43mm)	2
12	011-702660	ADPTR 1/4NPT X 9/16JIC 37DEG FLARE	1
13A	018-904629	PKG PLMB PUMP SPLY 2100-0400	1
13B	018-905082	PKG PLMB PUMP OUTLET 2100-0400 DG	1
14	005-702505	VLV DANFOSS 1/2IN AVTB 15 0-30 DEG C TEMP RNG	1
15	011-702563	NIPL COMB 1/2NPTX3/8HB BRS	1
16	001-702551	CLP 2-EAR #18SS - 3/8ID HOSE	1
17	005-700121	VLV BYPASS PRESS RLF 3/4 BRS	1
18	011-704699	NIPL COMB 1/2NPTX1/2HB 90DEG BRS	1
19	011-702564	NIPL COMB 3/4NPTX1/2HB BRS	1
20	001-702552	CLP 2-EAR #22SS - 1/2ID HOSE	2





# Central Heating Unit 2100-0400 V2 Series Pump

S/N: 22784 -  
S/N: Current  
PAGE: 2.1.12

Item No.	Description	Part No.				
		012-800052 3/4 HP	012-800053 1 HP	012-905311 2 HP	012-800055 2 HP	012-702751 3 HP
1	SEAL RING GUIDEVANE G & L PUMP	006-703027	006-703008			
2	LOCKNUT IMPELLER G & L PUMP	006-703026				
3	IMPELLER G & L PUMP	006-703028	006-703029	006-703007	006-703030	006-703031
4	O-RING CASING G & L PUMP	006-703006				
5	SEAL MECH G & L PUMP	006-703005				
6A	CAPACITOR PUMP GOULDS	006-701171	006-702799	006-701171	006-703468	
6B	CAPACITOR RUN PUMP GOULDS CAPACITOR RATING: 60µF 370V					006-906552
6C	CAPACITOR RUN PUMP GOULDS W/ NIDEC MOTOR CAPACITOR RATING: 40µF 370V					006-906922
6D	CAPACITOR START PUMP GOULDS W/ NIDEC MOTOR CAPACITOR RATING: 233-280µF 165V					006-906923
6E	CAPACITOR PUMP GOULDS W/ NIDEC MOTOR CAPACITOR RATING: 189-227µF 110V	006-906943				

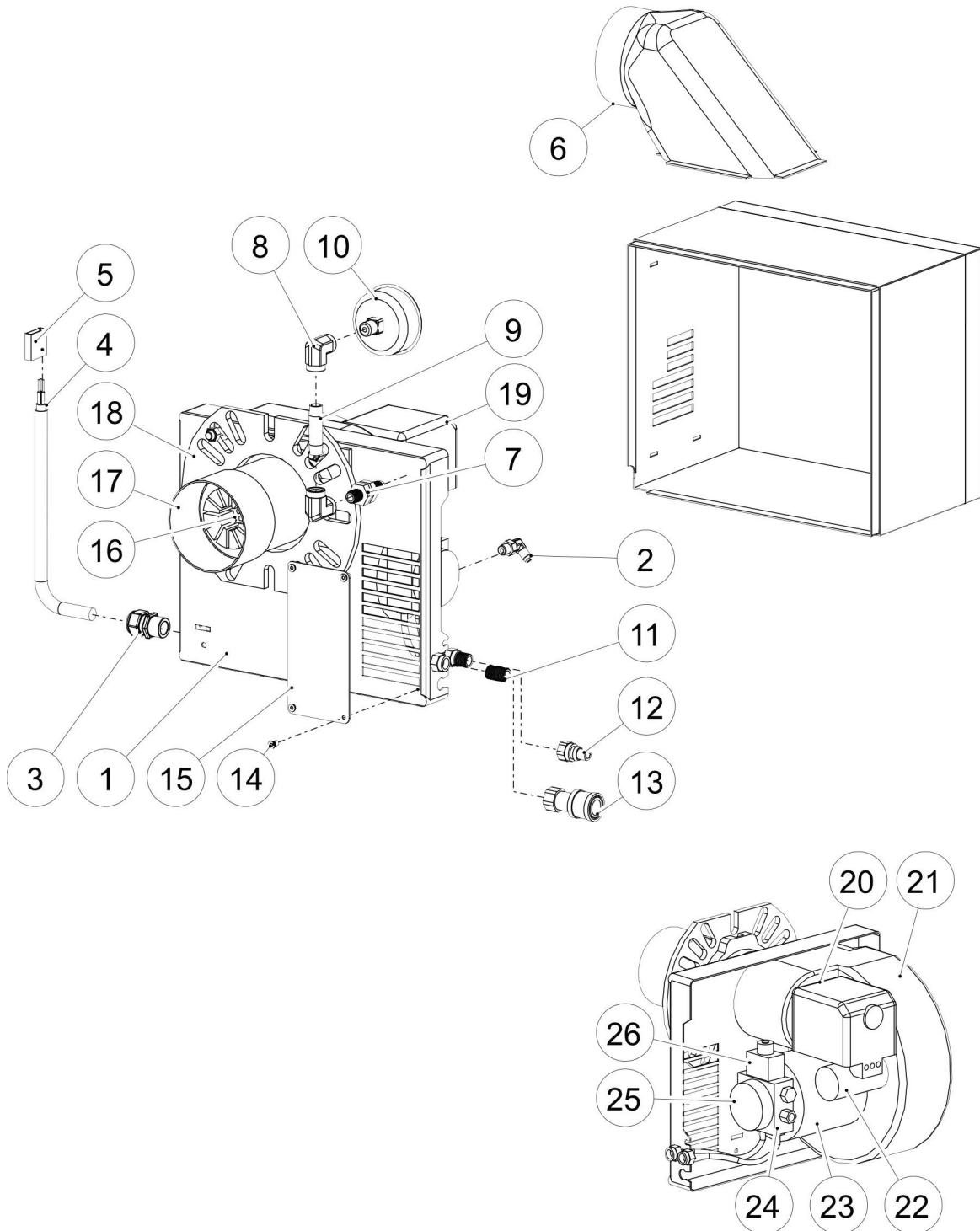
REFER TO PUMP MOTOR NAME PLATE EXAMPLES PRIOR TO ORDERING CAPACITORS

### NIDEC MOTOR NAME PLATE EXAMPLE

		CUST. NO. E09054BBS	
CAT. NO.	MODEL	INS F	AMB 40 °C PH 1 CODE E
THERMALLY PROTECTED	AUTO ENC ODP FRAME 56J	DUTY	CONT DATE CODE
PROT. CODE 00240			
<b>60 HZ DATA</b>	<b>50 HZ DATA</b>	CONNECTIONS	
3 3450 208-230 14.0-13.0 1.15 16.0-14.0	HP RPM VOLTS F.L.A. S.F.A. N/A		
CE IP22		<small>MOTOR IS NON-REVERSIBLE COW ROTATOR START END</small> <small>SUPPLY CONNECTIONS USE WIRES SIZED ON THE BASIS OF EFFICIENCY AND RATED MINIMUM 50°C.</small>	
<small>SUITABLE FOR FIELD WIRING. USE COPPER CONDUCTORS ONLY</small> <b>WARNING:</b> MOTOR MUST BE GROUNDED IN ACCORDANCE WITH LOCAL AND NATIONAL ELECTRIC CODES. COMPONENT COVER MUST BE IN PLACE BEFORE OPERATING TO PREVENT ELECTRICAL SHOCK OR INJURY			

### WEG, BLUFFTON MOTOR NAME PLATE EXAMPLE

		MAT 1530627 SERIAL 107319461					
HZ 60	V 115/208-230 V	HZ 50	V 115/230 V				
HP 0.75	RPM 3450	HP 0.75	RPM 2875				
FLA 9.2/4.6-4.6	SF 1.5	FLA 12.2/6.1	SF 1.00				
SFA 12.0/6.5-6.0	FR 56J	SFA E05C12A1EB6G	REF CAT				
INS B	PH 1						
ENC DP	TYPE U						
INS B	CONT (S1)						
ENC DP	DSN 22H0111 8						
<small>CERT ID 4103007456</small> <small>WARNING: Always disconnect motor from power          supply before servicing. Fatal shock may result          if motor frame and adjacent metal are not grounded          in compliance with electrical code.</small> <small>THERMALLY PROTECTED AUTOMATIC RESET.</small> <small>Motor will restart without warning after protector          trips. Do not install this motor on equipment where          automatic startup could result in injury.</small>							
<table border="1" style="width: 100%; border-collapse: collapse;"> <tr> <th style="width: 50%;">HIGH VOLTAGE</th> <th style="width: 50%;">LOW VOLTAGE</th> </tr> <tr> <td style="text-align: center;">           1 ●            4 ●-BLK(2)            5 ●-W(9)            2 ●         </td> <td style="text-align: center;">           1 ●            4 ●-W(9)            5 ●            2 ●-BLK(2)         </td> </tr> </table>		HIGH VOLTAGE	LOW VOLTAGE	1 ● 4 ●-BLK(2) 5 ●-W(9) 2 ●	1 ● 4 ●-W(9) 5 ● 2 ●-BLK(2)	<small>UNGROUNDING</small> <small>W 5</small> <small>W 5</small>	
HIGH VOLTAGE	LOW VOLTAGE						
1 ● 4 ●-BLK(2) 5 ●-W(9) 2 ●	1 ● 4 ●-W(9) 5 ● 2 ●-BLK(2)						

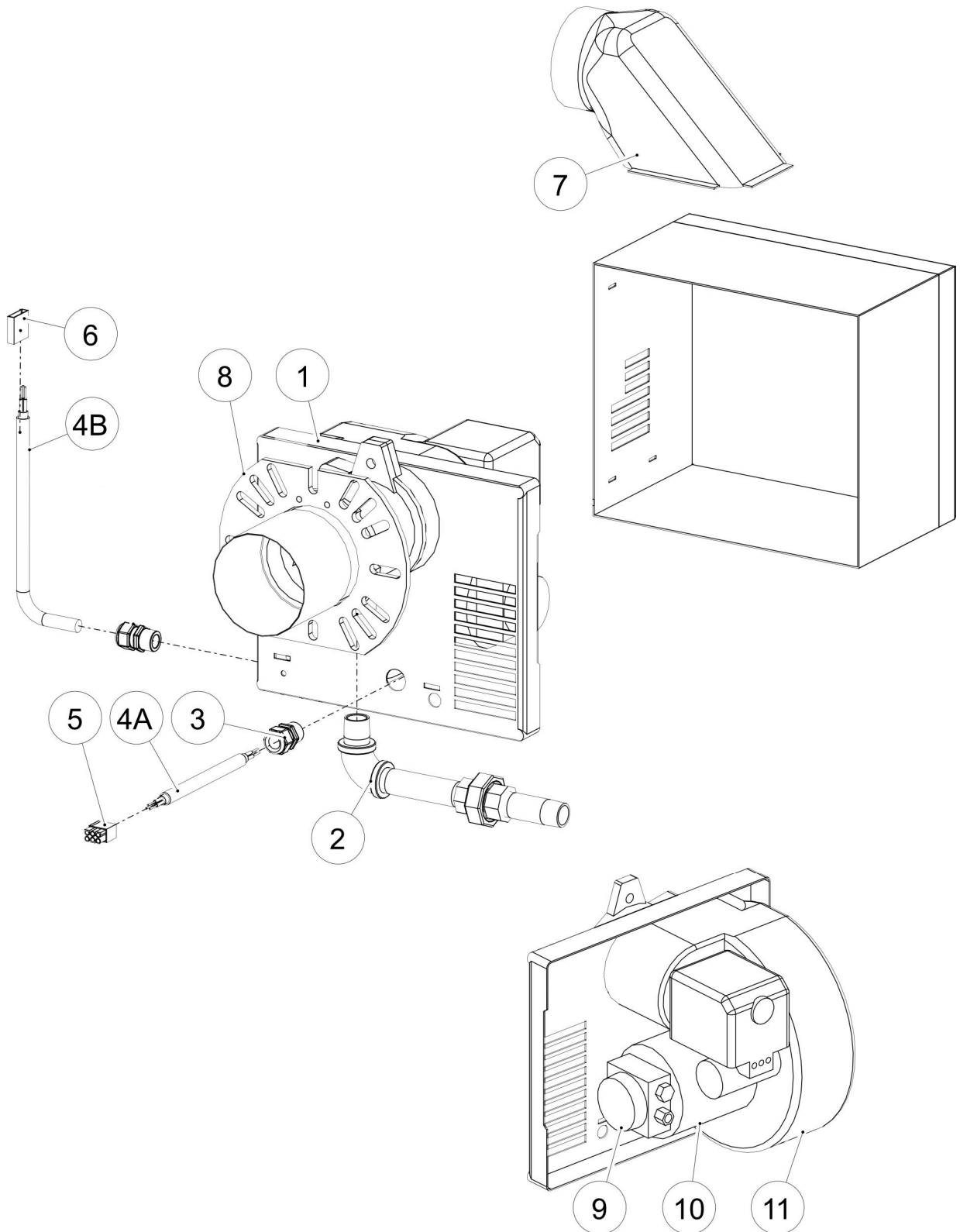




**Central Heating Unit  
2100-0400 V2 Series  
Diesel Burner**

S/N: 22784 -  
S/N: Current  
PAGE: 2.1.14

Item No.	Part No.	Description	Qty.
	<b>018-905086</b>	<b>PKG BURNER DIESEL F10 2100-0400</b> (Includes 1-26)	<b>1</b>
1	012-900390	BURNER RIELLO 40-F10 FUEL OIL	1
	006-906339	CVR RIELLO F10 BURNER	1
2	011-702798	ADPTR 90DEG 1/8BSPP X 7/16JIC 37DEG FLARE	1
3	002-704262	CONN STRN/RLF 1/2 .24-.47 CE/CSA	1
4	002-702644	CABLE SJTOW 14/3 300V CSA	3 FT
5	002-904982	CONN RECEPTACLE 4-PIN 0.084 MOLEX	1
6	004-901974	DUCT TOP TAKE OFF 4IN	1
7	011-703015	ADPTR BHD 1/4NPTX9/16JIC 37DEG FLARE	1
8	011-703016	ELB 1/4X90DEG PLD STEEL NPT	2
9	011-703796	NIPL 1/4X2 BRS NPT	1
10	005-903836	GAUGE PRESS 0-300 PSI 1/4NPT 2 1-2FACE BACK CONN	1
11	011-703824	NIPL 1/4X1(CL) BRS NPT	2
12	011-703823	QC NIPL 1/4 STL PLD NPTF	1
13	011-703822	QC CPLR 1/4 STL PLD NPTF	1
14	001-901203	RIVET 5/32 GRP .126 -.250 SS	4
15	004-902912	PLT 16GA 3X6-1/4	1
16	011-903805	NOZZLE OIL BNR B 1.75X60DEG	1
17	012-900391	BURNER-TUBE SHORT F10	1
18	006-902848	GSKT MNT RIELLO F10	1
19	006-702790	CNTRL PRIMARY RIELLO 40 F5/F20	1
20	006-902850	ELECTRODE ASSY 5IN RIELLO 40-F10	1
21	006-902845	FAN RIELLO F10	1
22	006-902849	CAPACITOR 12.5 UF RIELLO F10	1
23	006-902847	MOTOR RIELLO F10	1
24	006-702792	KEY PUMP DRIVE RIELLO 40-F5/F20	1
25	006-702793	PUMP RIELLO 40-F5/F15	1
26	006-702785	COIL OIL VLV RIELLO 40-F5/F20	1
		The following components may not be shown	
	002-704007	CONN PIN MALE 14-20AWG TIN	
	002-704008	CONN PIN FEMALE 14-20 AWG TIN	
	006-702788	PHOTOCELL RIELLO 40-F5/F20	



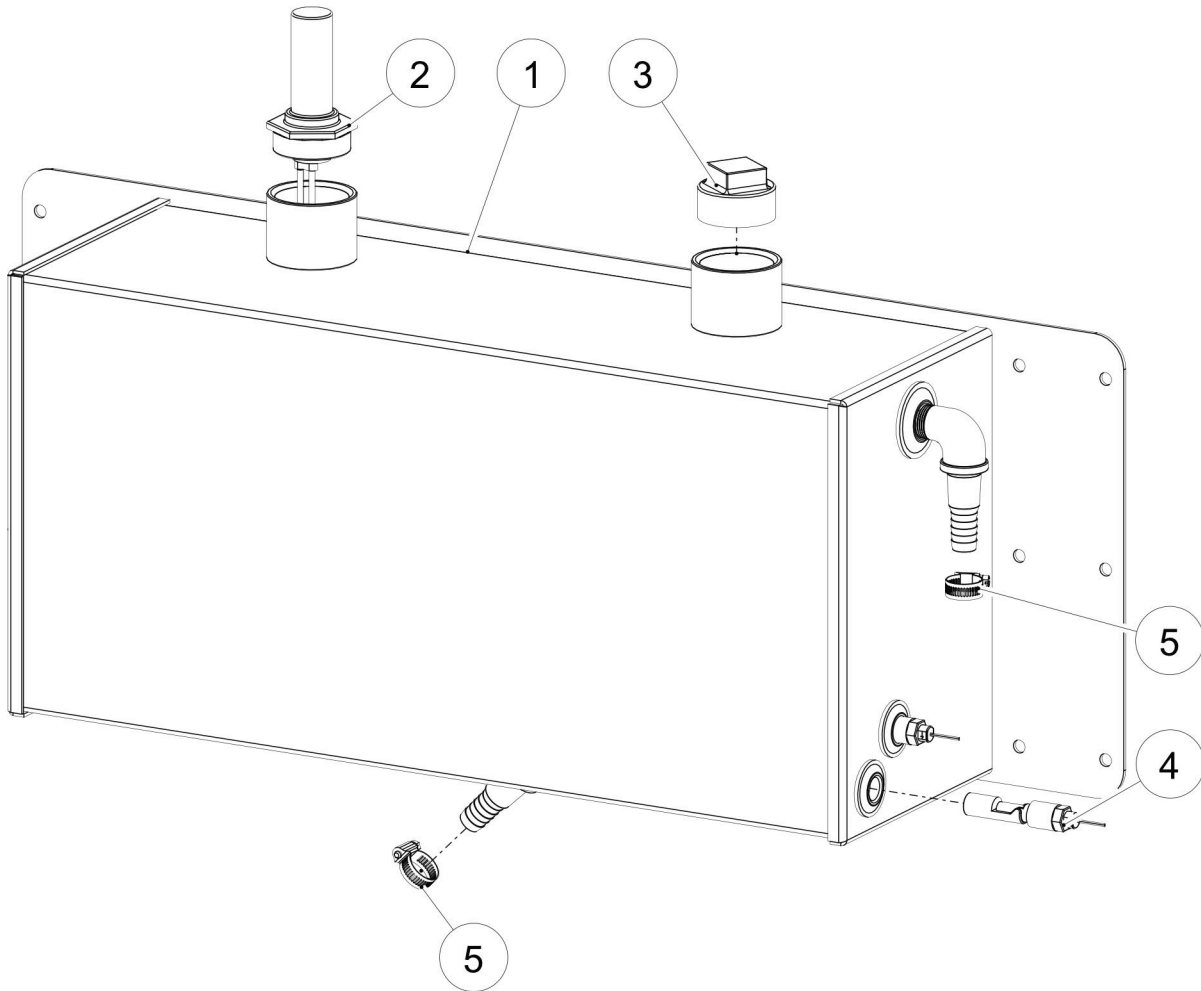




**Central Heating Unit  
2100-0400 V2 Series  
NG/PN Burner**

S/N: 22784 -  
S/N: Current  
PAGE: 2.1.16

Item No.	Part No.	Description	Qty.
	<b>018-904619</b>	<b>PKG BURNER NG RIELLO 40-G400</b> (Includes 1A-6)	<b>1</b>
	<b>018-904620</b>	<b>PKG BURNER PN RIELLO 40-G400</b> (Includes 1B-6)	<b>1</b>
	<b>006-904622</b>	<b>PKG CVRSN PN RIELLO G400</b>	<b>1</b>
	<b>006-904623</b>	<b>PKG CVRSN NG RIELLO G400</b>	<b>1</b>
	<b>018-905911</b>	<b>PKG BURNER NG RIELLO 40-G400 CW DUCTING</b> (Includes 1A-7)	<b>1</b>
1A	012-904617	BURNER RIELLO 40-G400 NG C/W CSD-1 GAS TRAIN	1
1B	012-904618	BURNER RIELLO 40-G400 PN C/W CSD-1 GAS TRAIN	1
2	018-904674	PKG GAS LINE BRNR INLET 2100-0400	1
3	002-704262	CONN STRN/RLF 1/2 .24-.47 CE/CSA	2
4A	002-702644	CABLE SJTOW 14/3 300V CSA	2 FT
4B	002-702644	CABLE SJTOW 14/3 300V CSA	3 FT
5	002-904981	CONN PLUG 6-PIN 0.084 MOLEX	1
6	002-904982	CONN RECEPTACLE 4-PIN 0.084 MOLEX	1
7	004-901974	DUCT TOP TAKE OFF 4IN	1
8A	006-902848	GSKT MNT RIELLO F10	1
8B	006-906601	MNT BURNER LP/NG G400 RIELLO	1
9A	002-704159	SW AIR RIELLO 40-G750	1
9B	006-901778	SW AIR TUBE CW CONNECTOR RIELLO G900	1
10	006-902847	MOTOR RIELLO F10	1
11	006-902845	FAN RIELLO F10	1
		The following components may not be shown	
	002-704007	CONN PIN MALE 14-20AWG TIN	
	002-704008	CONN PIN FEMALE 14-20 AWG TIN	
	006-901781	WIRE IONIZATION LEAD RIELL 40-G900	1

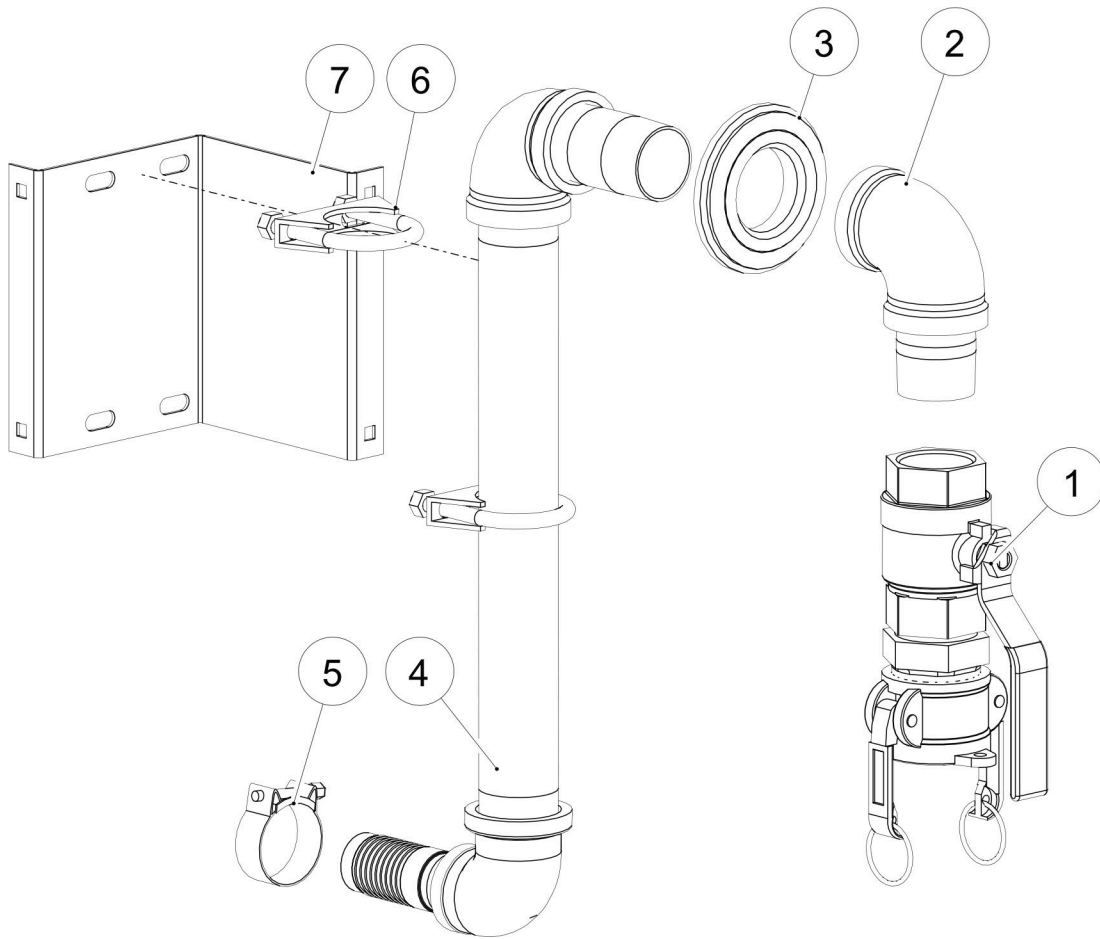




**Central Heating Unit  
2100-0400 V2 Series  
Glycol Tank**

S/N: 22784 -  
S/N: Current  
PAGE: 2.1.18

Item No.	Part No.	Description	Qty.
1	004-904671	TANK GLY 2100-0400	1
2	005-703701	GAUGE LVL 13IN SS 2IN NPT	1
3	011-700395	PLUG 2 SQ HD MI NPTM CL150/PN20	1
4	002-702012	SW-FLOAT FSH-31	2
5	001-702087	CLP HOSE HAS10 SLTD HEX HD SS	2
		The following components may not be shown	
	006-901802	PKG GAUGE LVL GLASS(KRUGER SENTRY)	1

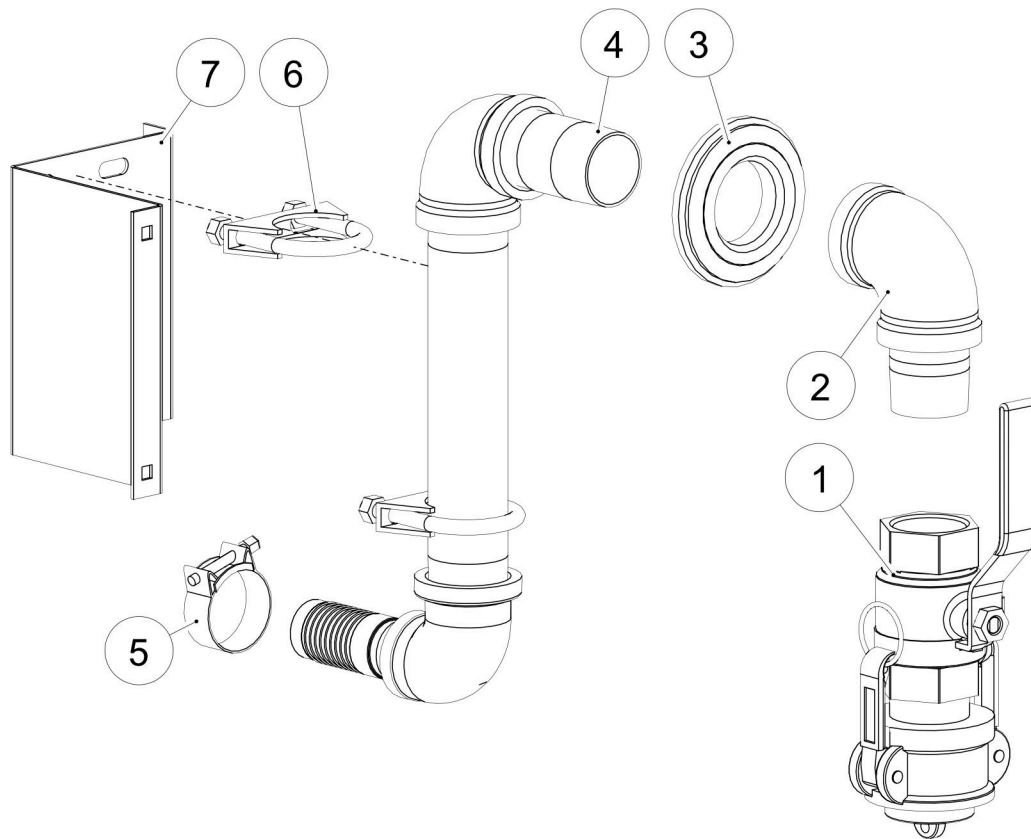




**Central Heating Unit  
2100-0400 V2 Series  
Supply Plumbing**

S/N: 22784 -  
S/N: Current  
PAGE: 2.1.20

Item No.	Part No.	Description	Qty.
1		KAMLOCK PACKCAGE - see page 2.1.23	
2	018-905231	PKG EXT PLMB SPLY-RTN MOD 2100-0400	1
3	009-700034	GROM 1.52X2.625 RBR PIPE 1-1/4	1
4	018-904658	PKG PLMB SUPPLY 2100-0400	1
5	001-704669	CLP HOSE HEAVY DUTY 1.57-1.69 RNG (40-43mm)	1
6	001-702632	CLP MUF 1-1/2 5/16UNC PLD	2
7	004-904655	BRKT PLMB 2100-0400	1

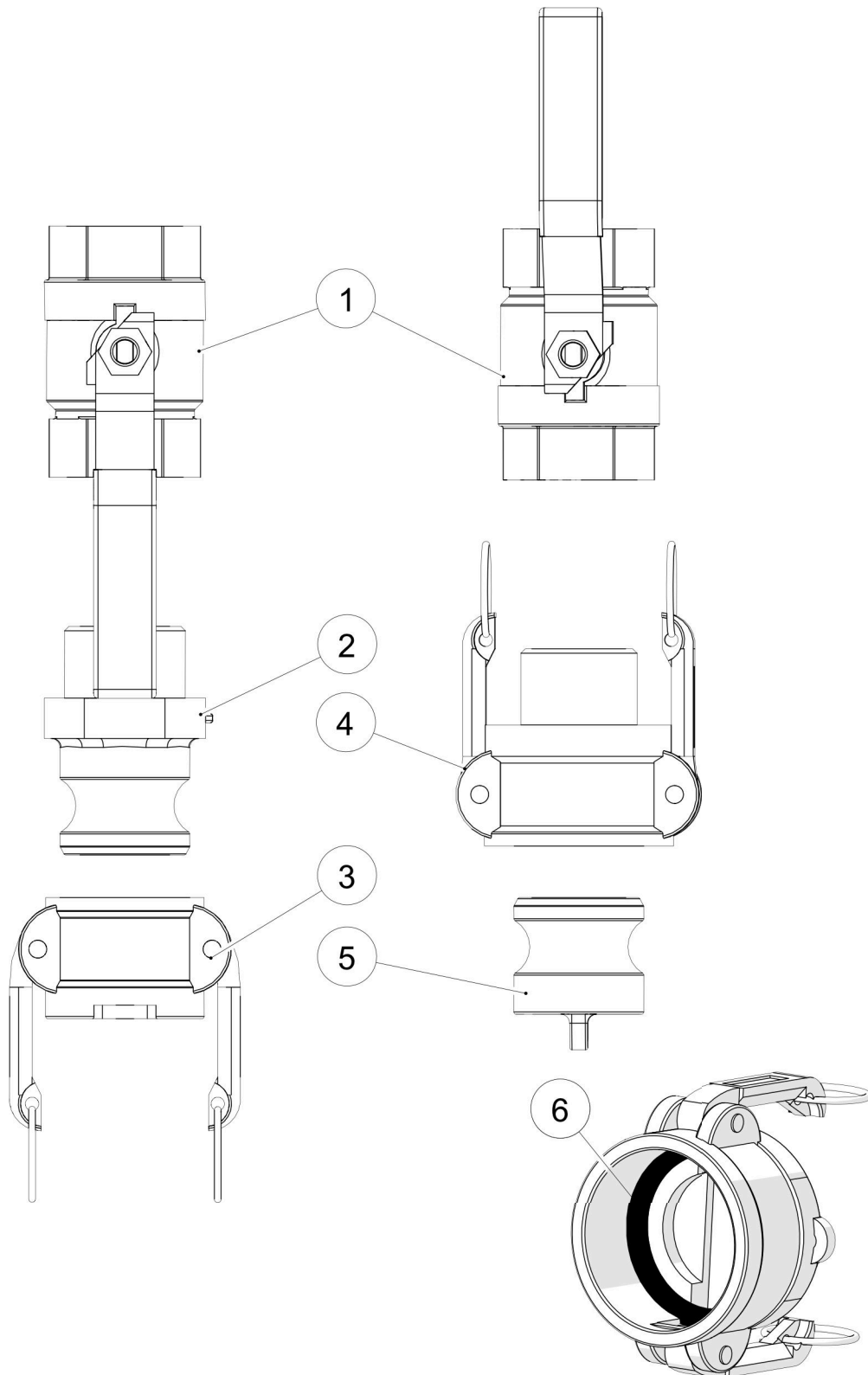




**Central Heating Unit  
2100-0400 V2 Series  
Return Plumbing**

S/N: 22784 -  
S/N: Current  
PAGE: 2.1.22

Item No.	Part No.	Description	Qty.
1		KAMLOCK PACKCAGE - see page 2.1.23	
2	018-905231	PKG EXT PLMB SPLY-RTN MOD 2100-0400	1
3	009-700034	GROM 1.52X2.625 RBR PIPE 1-1/4	1
4	018-904657	PKG PLMB RETURN 2100-0400	1
5	001-704669	CLP HOSE HEAVY DUTY 1.57-1.69 RNG (40-43mm)	1
6	001-702632	CLP MUF 1-1/2 5/16UNC PLD	2
7	004-904655	BRKT PLMB 2100-0400	1



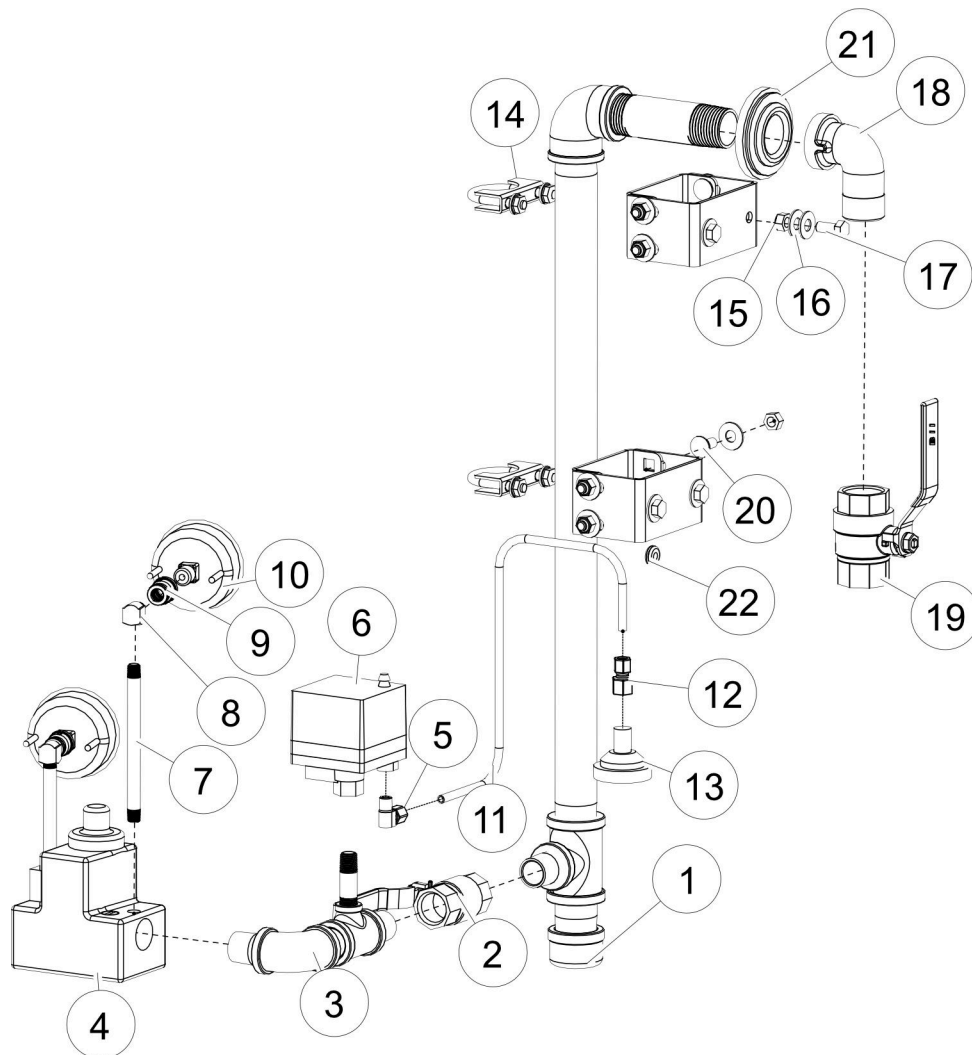




**Central Heating Unit  
2100-0400 V2 Series  
Kamlock Package**

S/N: 22784 -  
S/N: Current  
PAGE: 2.1.24

Item No.	Part No.	Description	Qty.
	<b>018-702549</b>	<b>PKG VLV &amp; KMLCK 1-1/4 M/F</b> (Includes 1-6)	<b>1</b>
1	011-700178	VLV BALL 1-1/4 400WOG FL PT BRS CGA NPTF	2
2	011-702496	KMLCK 1-1/4 ADPTR MALE AL NPT PART F	1
3	011-702498	KMLCK 1-1/4 DUST CAP AL PART DC	1
4	011-702497	KMLCK 1-1/4 CPLR FEM AL MALE NPT PART B	1
5	011-702499	KMLCK 1-1/4 DUST PLUG AL PART DP	1
6A	006-900824	GSKT 1-1/4IN KMLCK CPLR SILICONE RBR	1
6B	006-702964	GSKT 1-1/4IN KMLCK CPLR THICK	1

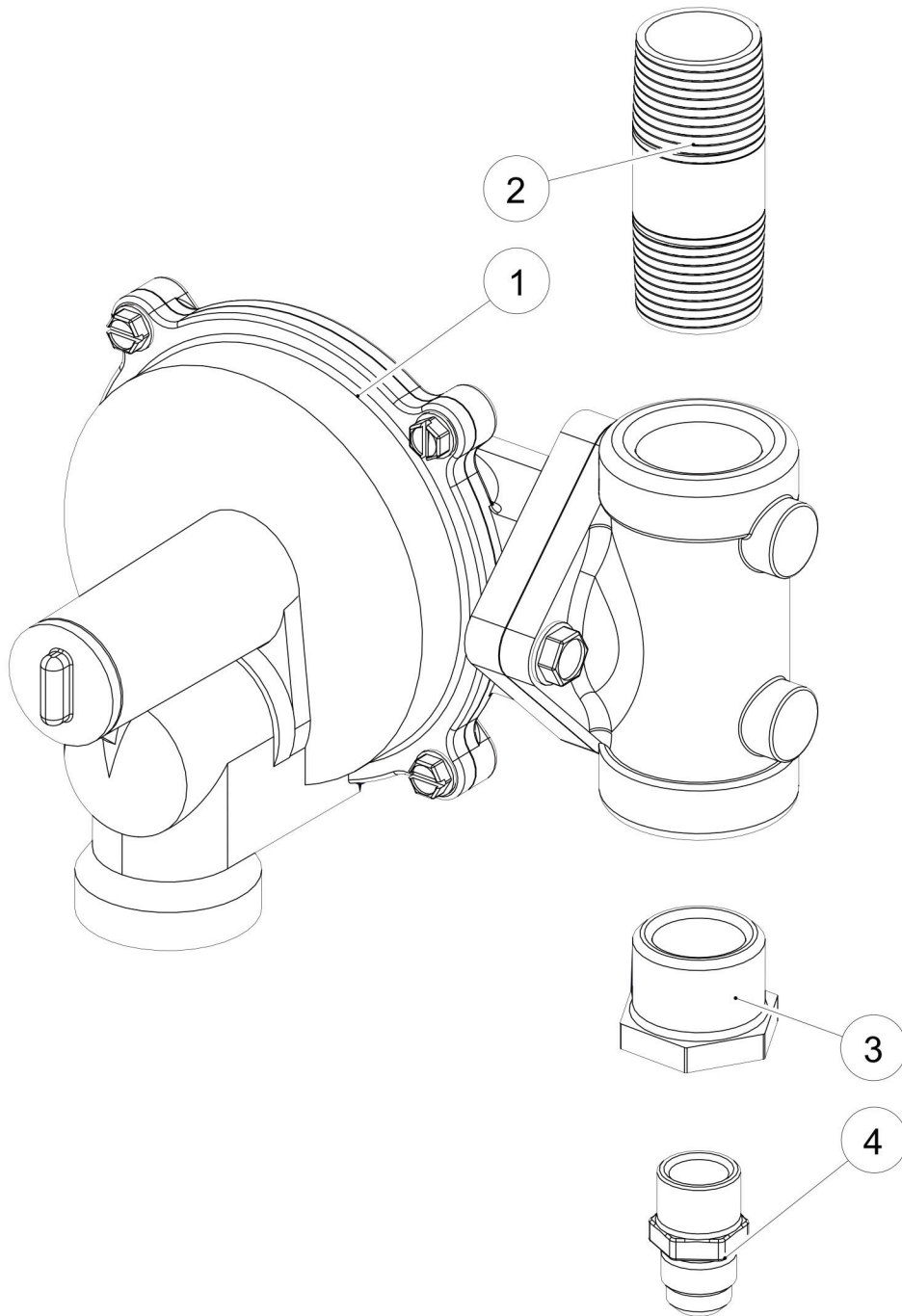




**Central Heating Unit  
2100-0400 V2 Series  
Gas Train**

S/N: 22784 -  
S/N: Current  
PAGE: 2.1.26

Item No.	Part No.	Description	Qty.
	<b>018-904779</b>	<b>PKG GAS TRAIN 2100-0400</b> (Includes 1-10)	<b>1</b>
1	018-904672	PKG GAS LINE 2100-0400	1
2	011-700878	VLV BALL 3/4	1
3	018-904673	PKG GAS LINE VLV INLET 2100-0400	1
4	006-904683	VLV GAS 3/4 HONEYWELL VR8305M4009	1
5	011-701078	CPRSN FTG ELB 1/4TX1/8 90DEG MPT	1
6	006-901784	SW LGP HONEYWELL C6097A 1012/DUNG GML-A4-4-4	1
7	011-904624	NIPL 1/8X5 BRS NPT	1
8	011-703789	ELB ST 1/8X90DEG BRS NPT	1
9	011-904626	CPLR RDCG 1/4X1/8 BRS NPTF	1
10	005-703490	GAUGE LO-PRESS 0-15IN WC PNL 2-1/2IN WIKA	2
11	004-904741	LINE VENT 2100-0400	1
12	011-701175	CPRSN FTG CON 1/4TX1/4 FPT	1
13	011-901721	VENT UMBRELLA TYPE 1/4 MNPT	1
14	001-703040	CLP MUF 1-1/4IN 5/16UNC PLD	2
15	001-700741	NUT LKG NYL 5/16 UNC PLD	12
16	001-700742	WSHR FLT 5/16 PLD	20
17	001-700958	BOLT 5/16X3/4 PLD GR5	4
18	011-702415	ELB ST 1X90DEG BRS NPT	1
19	011-700366	VLV BALL 1 400WOG FL PT BRS CGA NPTF	1
20	001-703307	BOLT CRG 5/16X3/4 UNC PLD GR5	8
21	009-700016	GROM 1.235X2.375 RBR PIPE 1	1
22	009-703173	GROM 9/32IDX5/8ODX1/16GRV RBR 1/4TUBE	1

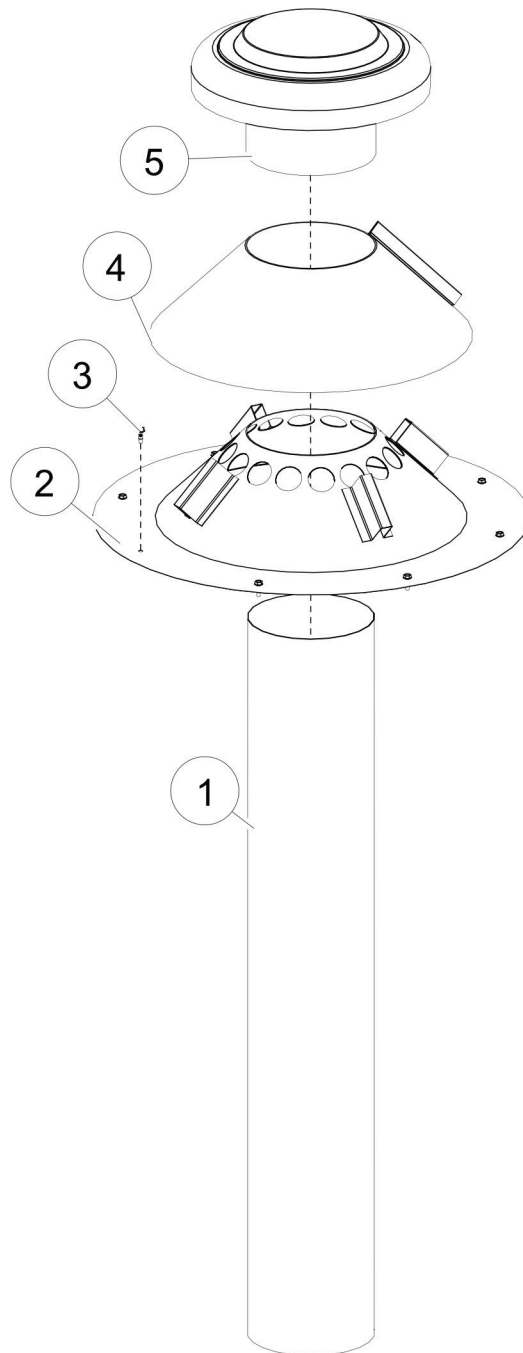




**Central Heating Unit  
2100-0400 V2 Series  
Propane Regulator**

S/N: 22784 -  
S/N: Current  
PAGE: 2.1.28

Item No.	Part No.	Description	Qty.
	<b>018-704711</b>	<b>PKG REG PN MOD2100-DG</b> (Includes 1-4)	<b>1</b>
1	005-701409	RGLTR PN NPT 10PSI 4-16WC SPR RNG ADJ	1
2	011-703171	NIPL 1X3 BRS NPT	1
3	011-701770	BSHG RDCG 1X1/2 BRS MXF NPT	1
4	011-701769	ADPTR BRS 1/2NPTX1/2SAE 45DEG FLARE	1

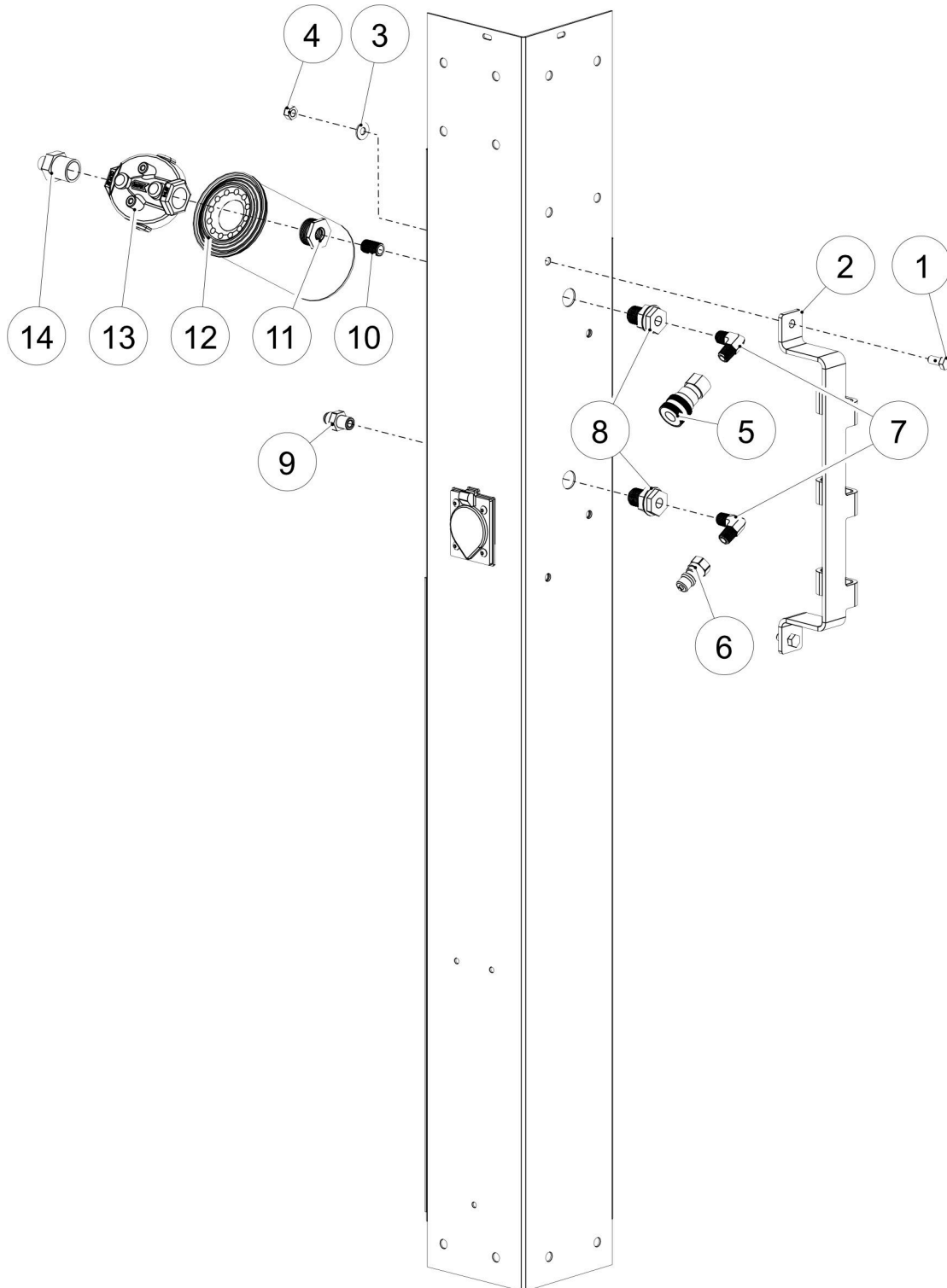




**Central Heating Unit  
2100-0400 V2 Series  
Chimney**

S/N: 22784 -  
S/N: Current  
PAGE: 2.1.30

Item No.	Part No.	Description	Qty.
1	004-901118	CHMNY PIPE 6X18 24GA GALV SNAP-LOCK	1
2	004-901117	FLSHG ROOF VENT 6IN	1
3	001-703424	SCRW D/T 10-16X5/8 5/16HEX HD PLD	8
4	004-901116	STORM COLLAR 6IN	1
5	004-900424	CHMNY CAP 6IN CHINA GALV	1







**Central Heating Unit  
2100-0400 V2 Series  
Fuel Connections**

S/N: 22784 -  
S/N: Current  
PAGE: 2.1.32

Item No.	Part No.	Description	Qty.
1	001-700958	BOLT 5/16X3/4 PLD GR5	5
2	004-905093	SHIELD DSL CONN 2100	1
3	001-700742	WSHR FLT 5/16 PLD	5
4	001-700741	NUT LKG NYL 5/16 UNC PLD	5
5	011-703822	QC CPLR 1/4 STL PLD NPTF	1
6	011-703823	QC NIPL 1/4 STL PLD NPTF	1
7	011-904586	ELB 1/4X90DEG NPT MALE BRS	2
8	011-704229	BLKHD 1/2NPTMX1/4NPTF BRS	2
9	011-702660	ADPTR 1/4NPT X 9/16JIC 37DEG FLARE	1
10	011-703824	NIPL 1/4X1(CL) BRS NPT	1
11	011-903373	BSHG RDCG 3/4X1/4 BRS	1
12	012-702588	FILTER FUEL OIL PART/WTR COMB	1
13	012-702587	ADPTR FUEL FILTER MTG AL	1
14	011-901436	ADPTR 3/4NPT X #6JIC 37DEG FLARE	1



**Central Heating Unit  
2100-0400 V2 Series  
Hoses and Fuel Lines**

S/N: 22784 -  
S/N: Current  
PAGE: 3.1.1

Item No.	Part No.	Description	Qty.
		<b>PUMP INLET</b>	
1	013-700063	HOSE 1-1/4 VERSIFLO SUCT CW WIRE HLX	7 1/2IN
		<b>PUMP OUTLET</b>	
2	013-700063	HOSE 1-1/4 VERSIFLO SUCT CW WIRE HLX	9IN
		<b>RETURN TO HEAT EXCHANGER</b>	
3	013-700063	HOSE 1-1/4 VERSIFLO SUCT CW WIRE HLX	11IN
		<b>GLYCOL TANK TO HEAT EXCHANGER</b>	
4	013-702635	HOSE 3/4 RED	10 1/2IN
		<b>GLYCOL TANK TO OVERFLOW PLUMBING</b>	
5	013-702635	HOSE 3/4 RED	30IN
		<b>PRESSURE RELIEF TO RETURN DANFOSS</b>	
6	013-702634	HOSE 1/2 RED	33IN
		<b>PUMP OUTLET TO HEAT EXCHANGER RETURN</b>	
7	013-702634	HOSE 1/2 RED	35IN
		<b>PUMP OUTLET DANFOSS TO PRE-HEATER</b>	
8	013-702633	HOSE 3/8 RED	46IN
		<b>PRE-HEATER TO HEAT EXCHANGER RETURN</b>	
9	013-702633	HOSE 3/8 RED	20IN
		<b>FUEL LINES</b>	
10	004-704661	FUEL LINE 1/4X10IN #6/#4JICF 37DEG STR SWVL	1
11	004-903534	FUEL LINE 3/8X43IN #6JIC FEM SWVL ENDS	1
12	004-903053	FUEL LINE 3/8X19IN STR/90DEG #6JICF SWVL ENDS	1
13	004-905088	FUEL LINE 3/8X72IN 1/4MNPT #6JICF SWVL END	2

1

3

4

2

5

6

7

8

9

10

11

Item No.	Part No.	Description	Qty.
1	003-701195	DECAL DRYAIR 12X2 05 BLUE VINYL R1	4
2	003-904679	DECAL ELEC SCHEM 2100-0400	1
3	003-904680	DECAL TROUBLESHOOTING 2100-0400	1
4	003-906384	DECAL GLYCOL SAFETY	1
5	003-700172	DECAL DO NOT ADJ	3
6	003-700159	DECAL SAFETY FIRST	1
7	003-701447	DECAL CAUTION KEEP PANELS	4
8	003-701454	DECAL HTF FLUID LEVELS	1
9	003-701456	DECAL VENT/OVERFLOW	1
10	003-701118	DECAL GLY/WTR STRIP R01	1
11	003-703146	DECAL HEAT THAW CURE DRY 22X1.4	2



# Central Heating Unit 2100-0400 V2 Series

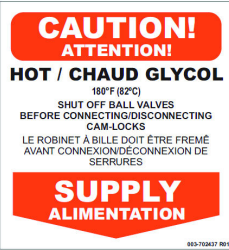
S/N: 22784 -

S/N: Current


PAGE: 4.1.2

## Decals


1




2




3




4




5



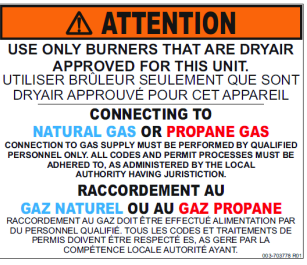
6




7




8



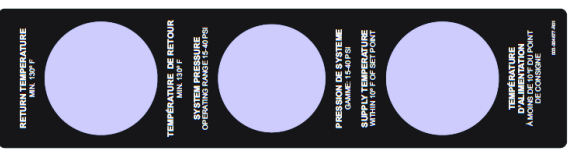
9




10



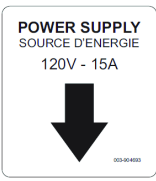
11



12

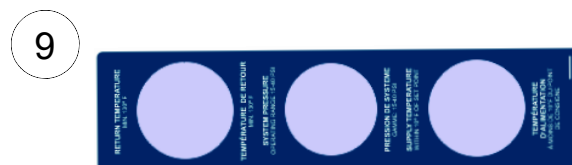
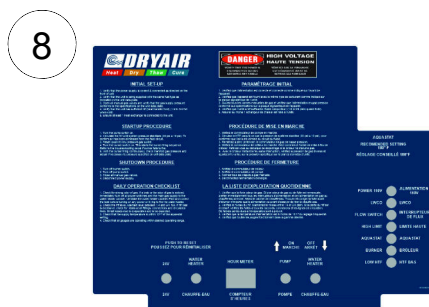
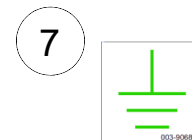
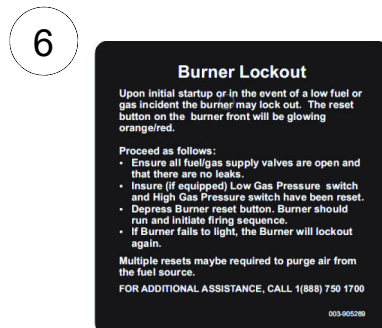
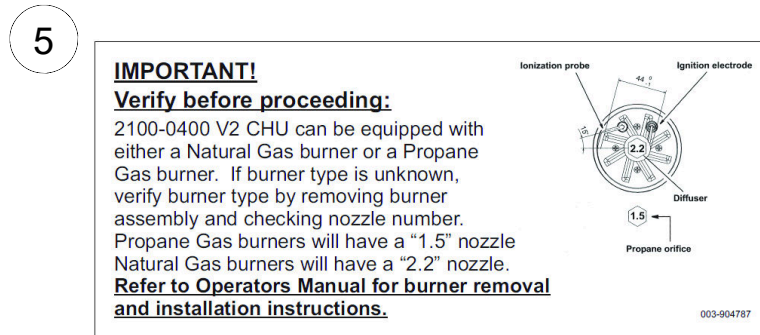
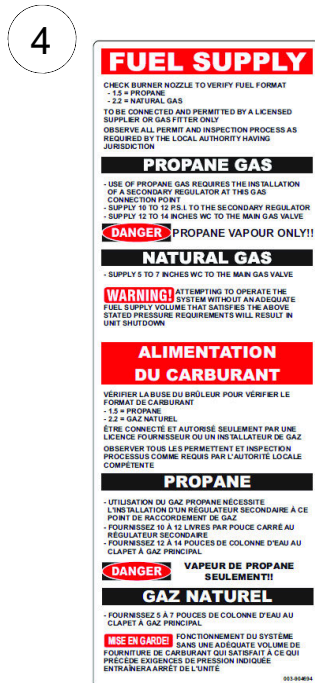
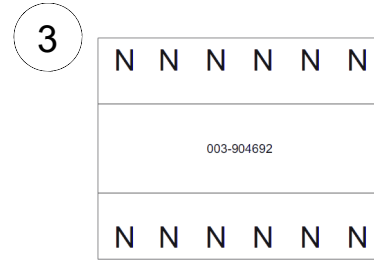
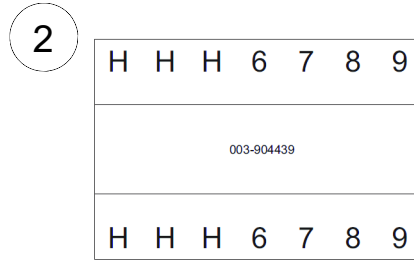
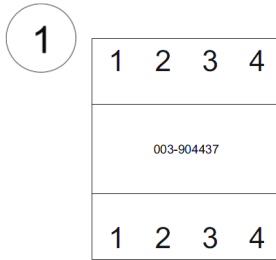


13



Item No.	Part No.	Description	Qty.
1	003-702437	DECAL CAUTION SPLY HOT GLY MOD 2100	1
2	003-702438	DECAL CAUTION RETURN HOT GLY MOD 2100	1
3	003-702653	DECAL DIFFUSION TAPE 1IN X 6IN	1
4	003-703263	DECAL ATTN REMOVE SHPNG PLUG	1
5	003-703148	DECAL RGLTR VENT INSTR PN	1
6	003-703773	DECAL NAT GAS BURNER ID	2
7	003-703774	DECAL PN GAS BURNER ID	2
8	003-703778	DECAL WNG BURNER USED & GAS SPLY	1
9	003-902610	DECAL NON CERTIFIED-PRESS VESSEL 4.50X4.50	1
10	003-904677	DECAL GAUGE PNL 2100-0400	1
11	003-904677	DECAL GAUGE PNL 2100-0400	1
12	003-704791	DECAL HI LIMIT TEMP SETTING	1
13	003-904693	DECAL PWR SPLY 2100-0400	1

## Decals



Item No.	Part No.	Description	Qty.
1	003-904437	DECAL TERM STP 1-4 .531 SPCG	1
2	003-904439	DECAL TERM STP HHH6-9 .531 SPCG	1
3	003-904692	DECAL TERM STP NNNNNN .531 SPCG	1
4	003-904694	DECAL FUEL SPLY INSTR MOD 2100-0400	1
5	003-904787	DECAL IMPORTANT VERIFY G400 BURNER	1
6	003-905289	DECAL BURNER LOCKOUT	1
7	003-906823	DECAL GND SYMBOL	1
8	003-906912	DECAL CNTRL PNL 2100-0400 BLUE	1
9	003-906913	DECAL GAUGE PNL 2100-040 BLUE	1



**Central Heating Unit  
2100-0400 V2 Series  
Decals**

S/N: 22784 -  
S/N: Current  
PAGE: 4.1.2

1



2



3



4



5



6



7



8



9



Item No.	Part No.	Description	Qty.
1	003-906813	DECAL DRYAIR HEAT DRY THAW CURE 12-5/16L	2
2	003-906910	DECAL CENTRAL HEATING UNIT 14L	2
3	003-906911	DECAL 400 CHU	2
4	003-906839	DECAL ATTN BNR COVER INSTALLED FRENCH ONLY	1
5	003-906842	DECAL DIESEL 2-1/2X1	2
6	003-905267	DECAL PROPANE 2-1/2X1	2
7	003-905268	DECAL NATURAL GAS 2-1/2X1	2
8	003-906736	DECAL QR OP MAN 400 CHU	1
9	003-906858	DECAL QR VIDEOS 400CHU	1



